

**SEPTEMBER 2021**

**HEALTH AND PERSONAL SOCIAL SERVICES  
FOR NORTHERN IRELAND  
DRUG TARIFF**



## Northern Ireland Drug Tariff

### Contents

General Notes

Zero Discount List

Part I List of Drugs and Preparations with Tariff Prices

Part I (b) Minor Ailments

Part II Approved List of Chemical Reagents

Part III List of Appliances

Part III (b) Bandages

Part III (c) Catheters

Part III (d) Dressings / Wound Management Dressings

Part III (e) Lymphoedema Garments

Part III (f) Tracheostomy & Laryngectomy

Part IV Domiciliary Oxygen Therapy Service

Part V Containers

Part VI Net Ingredient Cost Scale for Chemist Contractors

Part VII List of Drugs and Threshold above, which an additional fee will be, paid

Part VIII List of Technical Specifications

Part IX Drugs Which May Be Ordered By Dental Practitioners, Nurses or Independent Prescribers

Part X Borderline Substances

Part XI (a) Drugs and other substances not to be prescribed under Health Service Pharmaceutical Services

Part XI (b) Drugs to be prescribed in certain circumstances under health service pharmaceutical services

## Health And Personal Social Services - Northern Ireland Drug Tariff

### General Notes

#### Standards of drugs and appliances

1. All drugs, preparations and appliances supplied by chemists must, where a standard or formula is specified in the British Pharmacopoeia, the British Pharmaceutical Codex, the British National Formulary, or the Drug Tariff, conform to the standard of formula so specified, and in any other case must be of a grade or quality not lower than the grade or quality ordinarily used for medical purposes. All appliances supplied by chemists must, where a specification is included in the Drug Tariff, conform to that specification or be of a grade or quality not inferior thereto, and in any case must conform to the ordinarily recognised standards of good quality.

#### Scheduled Drug (see also Part XI)

2. The Health and Personal Social Services (General Medical Services Contracts) (Prescription of Drugs Etc) Regulations (Northern Ireland) 2004 make provision as to the drugs, medicines or other substance that may be ordered for patients in the provision of medical services under a general medical services contract within the meaning of Article 57 of the Health and Personal Social Services (Northern Ireland) Order 1972.

Schedule 1 to the Regulations lists the drugs and substances that are **not** to be prescribed under a general medical services contract. Schedule 2 lists the drugs, medicines and other substances that **may be ordered** under a general medical services contract **only in certain circumstances** and sets out those circumstances.

Chemist contractors are under no obligation to supply a scheduled drug that may be ordered erroneously on a prescription form by a doctor or dentist, or on a stock order form by a dentist, and can have no claim against the BSO in respect thereof.

#### List Prices

3. References to the list prices shall be construed as references to net cost prices in the price lists of such manufacturing or wholesale firms as may be selected by the Department after consultation with the Local Pharmaceutical Committee.

#### Containers (see also Part V)

4. Paragraph 16 of the Terms of Service [Schedule 2 to the Health and Personal Social Services (Pharmaceutical Services) Regulations (Northern Ireland) 1997] requires the chemist to supply all drugs in suitable containers, which include a 5ml spoon where appropriate.

#### Questions

5. Any questions arising as to the price or dispensing fee to be allowed in a particular case shall be determined by the Department after consultation with the Pharmaceutical Contractor's Committee.

### Prices Of Drugs And Preparations Included In Part I And Chemical Reagents Included In Part II

#### Tariff Prices

6. The tariff prices are generally net cost prices calculated from the agreed wholesale price lists.

### Payment for Water

7. Payment for water will be made only (a) where purified water has been prescribed, or (b) where its use is implied, e.g., where the Business Services Organisation (hereinafter called "the BSO") after consultation with the Department is satisfied that the water ordinarily available is unsuitable for dispensing purposes and purified water is used.

### Revision of Prices

8. The prices of drugs and preparations included in Part I and Chemical Reagents included in Part II will be revised monthly in accordance with current list prices.

### Pricing of Other Drugs and Preparations

9. Drugs and preparations not included in Parts I II and IX and not being scheduled drugs will normally be priced on the basis of the most cost-effective price rate derived from list prices for the pack sizes generally available to chemist contractors. Where a chemist contractor's throughput of drugs and preparations does not justify supply from the pack size from which the most cost-effective price rate is derived, the chemist contractor may endorse the prescription with the pack size from which the supply is made. Payment will be based on the list price for the pack size so endorsed but in any doubtful case the BSO will, before pricing, satisfy itself that the pack sizes used were reasonable in relation to the contractor's throughput of drugs and preparations. If the BSO is not satisfied that the pack sizes used were reasonable - or if the prescriptions are incompletely or incorrectly coded by the chemist contractor, the standard price convention set out above will be applied.

### Oncost Allowances for Chemist Contractors

10. Oncost allowances payable on gross or net ingredient cost are detailed below. In special circumstances an additional oncost is payable for trusses and elastic hosiery.
  - i. HS prescriptions for oxygen and oxygen therapy equipment  
  
The oncost allowance payable for these items is 10%.
  - ii. Stock orders  
  
The oncost allowance payable for items ordered by doctors on a stock order form is 17½% of the net ingredient cost of these items calculated in accordance with paragraph 9.
  - iii. HS prescriptions for trusses and elastic hosiery  
  
An additional oncost allowance of 15% based on the gross ingredient cost is payable when the measuring and fitting of trusses or elastic hosiery has been carried out by a chemist and the prescription has been endorsed "measured and fitted" or has been coded as such according to the Prescription Code issued by the BSO.

### Appliances

11. Part III contains the list of appliances that may be ordered by medical practitioners on the Medical List.
12. Appliances not included in Part III may not be ordered and suppliers of appliances are under no obligation to supply any such appliance and can have no claim against the BSO in that respect thereof.
13. Part III gives the specifications and tariff prices of such appliances. All appliances must conform to the specifications and sizes shown in Part III.

**Prices of Appliances**

14. Prescriptions for elastic hosiery and trusses supplied by chemist contractors will be reckoned along with those for drugs and will consequently qualify for the appropriate oncost allowance as set out in paragraph 10. Where measuring and fitting have been carried out, an appropriate fitting oncost (15%) will be paid by the BSO, where claimed.  
The prices of other appliances given in Part III will be the prices so stated (subject to alteration monthly, in accordance with variations in list prices). Where a price is not shown in the tariff for an appliance the price will be the list price, or in the case of appliances not included in a price list, the invoiced wholesale net cost price. Provided that if in any case the Department approves a special price different from that ascertained as aforesaid, such price shall apply in lieu thereof.

**Payment to Appliance Contractors**

15. Suppliers of appliances only will receive the cost of the appliance as detailed in paragraph 14 above, 25% oncost allowance and a 15% measuring and fitting fee where appropriate and where claimed. No dispensing fee is payable in respect of the supply of an appliance.

**Dispensing Fees For Chemist Contractors**

16. In accordance with the terms of Regulation 9(2) of the Pharmaceutical Services Regulations (NI) 1997 (Standards of, and payments for drugs and appliances), and, in relation to dispensing or other fees payable in respect of the supply of drugs and appliances and of the provision of supplemental services and of additional professional services or any other fee, allowance or other remuneration in respect of the provision of pharmaceutical services by chemists, the determining authority is the Regional Board.
17. In addition to the payment of ingredient costs, the oncost allowances (see para 10), and the payment for coding prescriptions (see para 18), dispensing fees will be paid at the rate shown in the table below. These dispensing fees are not payable on stock orders or on prescriptions for oxygen or oxygen equipment.

**Fee per Prescription**

|      |   |        |
|------|---|--------|
| (1). | All medicaments (including proprietaries) not requiring extemporaneous preparation and all liquids for internal and external use prepared by addition of water or by simple dilution for extemporaneous dispensing..... | £0.98  |
| (2). | All medicaments requiring extemporaneous dispensing:  |        |
| a.   | All liquids for internal and external use prepared to a special formula, e.g. mixtures, lotions, nasal drops.....   | £4.53  |
| b.   | i. Ointments, creams, pastes prepared by dilution or a mixture of standard or proprietary ointments, creams or pastes   |        |
|      | Quantity (a) not exceeding 200g.....  | £3.79  |
|      | (b) 201g-500g.....  | £7.56  |
|      | (c) over 500g - per 500g or part thereof .....  | £7.56  |
|      | ii. Ointments, creams, pastes prepared to a special formula   |        |
|      | Quantity (a) not exceeding 200g.....  | £7.73  |
|      | (b) 201g-500g.....  | £15.49 |
|      | (c) over 500g - per 500g or part thereof .....  | £15.49 |

## General Notes

### Dispensing Fees For Chemist Contractors cont.

- c. Special formula bulk powders ..... £7.56
  - d. Individual powders, capsules, etc.:
    - (a) first 10 ..... £3.10
    - (b) per powder, capsule etc. thereafter ..... £0.32
  - e. Liquids prepared by aseptic technique, e.g. eye drops ..... £13.78
  - f. Liquids prepared by a BP sterilisation process ..... £15.39
- (3). Appliances:
- a. All appliances except for ostomy / urinary equipment ..... £0.20
  - b. Ostomy / urinary equipment ..... £1.65
  - c. Wound Management Formulation ..... £1.11
- (4). Additional fee for dispensing prescriptions for:
- a. Schedule 2 Controlled Drugs ..... £1.74
  - b. Schedule 3 Controlled Drugs ..... £0.54
- (5). Dispensing fee related to period of treatment  
Supplementary fee payable when quantity of preparation prescribed and dispensed exceeds the threshold listed in Part VII for that preparation ..... £0.63
- (6) Multiple Dispensing Fee ..... £0.40
- NB: This supplementary fee may be claimed only for preparations listed in Part VII of the Tariff where the quantity of the preparation prescribed and dispensed exceeds the threshold listed for that preparation.
- (7) Minor Ailments Scheme Consultation Fee

Consultation fees for the Minor Ailments Scheme are paid under a tiered structure. The payment due within the structure is based on the number of cumulative consultation fees from 1 April 2020.

| Payment Due | Lower Limit | Upper Limit |
|-------------|-------------|-------------|
| £8.50       | 1           | 500         |
| £7.50       | 501         | 1000        |
| £6.50       | 1001        | 2000        |
| £5.00       | 2001        | 2950        |
| £0.00       | 2951        |             |

For all prescriptions dispensed extemporaneously, ingredient costs will be reimbursed in accordance with the provisions of the Tariff and the relevant dispensing fee at paragraph 2 above will be paid. Where a chemist contractor for some reason cannot dispense the prescription extemporaneously or elects to have it made up as a "special", the chemist contractor must provide to the BSO the reasons why a "special" was necessary. In any doubtful cases the BSO, before pricing, may refer matters to the Pharmaceutical Committee of the BSO to ascertain if the additional costs involved through use of a "special" were necessarily incurred and were reasonable. Only in circumstances where the Pharmaceutical Committee is satisfied that the use of "special" was necessary, will the invoiced "special" price be reimbursed and the dispensing fee at paragraph 1 above be paid. In other cases, payment of ingredient costs and dispensing fees will be made on the basis that the prescription had been dispensed extemporaneously.

Chemist contractors are required to endorse CD prescriptions for drugs included in Schedule 2 and 3 to the Misuse of Drugs (Northern Ireland) Regulations 1986 (as amended) with the letters "CD" unless a Code has been assigned in The Prescription Code issued by the BSO. These prescriptions should be coded as far as possible and included in the appropriate section of the prescription bundle when submitting the forms to the BSO. Provided these requirements are met the additional fee at paragraph 4 above will be paid.

**Serious Shortage Protocol**

Reimbursement for any product supplied under a Serious Shortage Protocol (SSP) will be as if the product had been dispensed against a prescription. The prescription should be endorsed with the annotation "Supply in line with SSP [Insert number]" to indicate that a supply was made in line with an SSP and also any other usual endorsements as appropriate for the product. Details on necessary endorsements will also be detailed on the BSO website ([www.hscbusiness.hscni.net/services/3063.htm](http://www.hscbusiness.hscni.net/services/3063.htm) ). Contractors should submit their prescriptions that have an SSP endorsement at the top of their amended bundle, with the second submission clearly separated from other prescriptions in the amended bundle. The number of prescriptions submitted with a SSP endorsement should be noted at the bottom of the second submission (HS30).

**Payment For Coding Prescriptions**

18. For the purpose of payment prescriptions should be coded and, where necessary, endorsed as indicated in the Prescription Code issued by the BSO.  
An allowance at the rate of 4.43p per prescription (including stock orders and prescriptions for oxygen gas) is payable to chemists for the work of coding prescriptions and payment will be made by the BSO in respect of prescriptions furnished by a chemist to the BSO each month. If however it is found that the standard of accuracy of coding for the month for which the allowance has been paid was not at least 95% and that within the 12 months prior to the month for which the allowance was paid the chemist had on two or more occasions been notified that his standard of accuracy of coding had fallen below 95% recovery of the allowance for that month will be effected by deduction from subsequent payments due by the BSO to the chemist.

**Urgent Prescriptions**

19. Urgent fees may be paid on prescriptions (including stock orders and those for oxygen and oxygen equipment) for which the chemist is required to re-open his pharmacy outside both contracted hours of service and agreed rota opening hours.

- a. prescriptions endorsed "Urgent" by prescriber.

The following fees may be claimed:

**Fee per call out**

- |      |   |        |
|------|---|--------|
| i.   | Prescriptions dispensed between the time the premises close for dispensing and 11.00pm on days other than Sundays and Public Holidays ..... | £15.14 |
| ii.  | Prescriptions dispensed between 11.00pm and the time the premises open for dispensing on days other than Sundays and Public Holidays .....  | £20.65 |
| iii. | Prescriptions dispensed at all eligible hours on Sundays and Public Holidays .  | £20.65 |

The prescription forms must be endorsed by the pharmacist with the hour and date of dispensing.

- b. Other prescriptions dispensed urgently.

Where the prescription form has NOT been endorsed "Urgent" by the prescriber but where, in order to meet the urgent needs of the patient, the prescription has been dispensed urgently between 11.00pm and 8.30am, or on Sundays and Public Holidays, the urgent fee of £20.65 may be claimed provided that: -



## General Notes

---

- i.
  - a. In the case of prescriptions dispensed between 11.00pm and midnight, the prescription was dispensed on the day it was written; or
  - b. In the case of prescriptions dispensed between midnight and 8.30am, the prescription was dispensed on the day or on the day following that on which it was written.
- ii. The prescription form is endorsed "Dispensed urgently at..... p.m./a.m. on .....(date)" by the pharmacist and is signed by the patient or his representative.

### Broken Bulk

20. Payment for broken bulk can be claimed in respect of:

- i. Drugs and preparations not listed in Part II; and
- ii. Incontinence and Ostomy appliances - Part III

When in relation to i and ii, such drugs and appliances are prescribed in a quantity other than the quantity stated in Part III or when, in relation to i, such drugs and preparations are prescribed in a quantity other than the minimum quantity the manufacturer or wholesaler is prepared to supply and when, in relation to I or ii, the chemist contractor would not expect to be able readily to dispense the remainder, payment may be made additionally for the remainder in each case subject to the discretion of the BSO in any doubtful cases. Broken bulk should be claimed by endorsing the prescription and indicating the date of dispensing. **Subsequent prescriptions for the same drug preparation or appliance dispensed within 6 months will be taken to have been dispensed from the remainder until it has been used and such subsequent prescriptions should not be coded but must be endorsed N/C to indicate that no claim is being made for the ingredients.**

### Multiple Dispensing

- 21a. Multiple Dispensing is the supply, by a pharmacist, of part of the total quantity of a prescription-only-medicine, at set intervals (e.g. weekly or daily) as requested in writing by the GP or other authorised prescriber. Multiple Dispensing is an "exception" facility for use where the prescriber considers that it is **essential** to protect the well-being of the patient (to prevent abuse, misuse or life-threatening non-compliance) that installments of the drug prescribed should be supplied to the patient at stated intervals. The prescriber may endorse the prescription to that effect in those circumstances. It must be clearly indicated on the prescription which item(s) require Multiple Dispensing and which are for normal dispensing. Prescribers should exercise caution with computer-generated and repeat prescriptions.
- 21b. Multiple Dispensing fees are **not** payable in respect of :-
- (i) prescriptions for patients registered for review of medication under the Managing your Medicines scheme (for which separate payments apply); or
  - (ii) presentation of medication(s) in compartmentalised Monitored Dosage Systems trays (Managing your Medicines scheme payments may apply).

### **Out Of Pocket Expenses**

22. Where additional expenses have been incurred in obtaining from a manufacturer or wholesaler supplies of a drug, chemical reagent or appliance (other than those items for which prices are given in Parts I Category A and M, II and III of the Tariff), which the chemist or appliance supplier does not frequently require to provide, or where out of pocket expenses have been incurred in obtaining oxygen specially for supply against a prescription, payment of the amount incurred will be made if the contractor submits a claim giving details to the BSO with the appropriate prescription form and the BSO is satisfied that the additional expenses were necessarily incurred and were reasonable.

### **Out Of Hours Services**

23. Payments for out of hours services is determined by the Health and Social Care Board.

### **Grants Payable To Employers Of Pre-Registration Trainees**

24. A grant of £22,500 per annum is payable to chemists who provide pre-registration training needed to pharmacy graduates for admission to the Pharmaceutical Society of Northern Ireland's Register of Pharmaceutical Chemists. The grant includes a protected employer allocation of £5,500 per pre-registration placement to cover training and employer on-costs associated with each placement. The remainder of the grant is for the provision of a salary of £17,000 for each pre-registration trainee.
- Chemists who have provided pre-registration training in line with the regulatory requirements of the Pharmaceutical Society of Northern Ireland can claim payment from the BSO on a quarterly, six monthly or annual basis, or in cases where the training period was shortened by unavoidable circumstances at the end of the actual training in which case a pro-rata grant will be calculated and paid.

### **Drugs Which May Be Ordered By Dental Practitioners, Nurses or Independent Prescribers**

25. (i) Dental practitioners on the Dental List may order any of the drugs listed in Part IX (a). Drugs not included in this list may not be ordered by dental practitioners.
- (ii) District Nurses and Health Visitor prescribers who have completed the necessary training may only prescribe those drugs and appliances listed in Part IX (b). Drugs and appliances not listed in this list may not be prescribed by nurses.
- (iii) Nurse Independent Prescribers and Pharmacist Independent Prescribers are able to prescribe any licensed medicine for any medical condition.
- (iv) Optometrist Independent Prescribers can prescribe any licensed medicine for ocular conditions affecting the eye and surrounding tissue, but cannot prescribe any controlled drug independently.
- (v) Physiotherapist Independent Prescribers can prescribe any licensed medicine for any condition within their competence within the overarching framework of human movement, performance and function. With effect from 15 November 2019 this includes specified controlled drugs. For details see Part IX (c).
- (vi) Podiatrist Independent Prescribers can prescribe any licensed medicine within their competence and relevant to the treatment of disorders affecting the foot, ankle and associated structures. With effect from 15 November 2019 this includes specified controlled drugs. For details see Part IX (c).

Chemists are under no obligation to supply any such drugs or appliances not in these lists and can have no claim against the BSO in that respect thereof.

**Expensive Prescription Fee**

26. A fee equivalent to 2% of the ingredient cost before discount will be payable on all prescriptions over £100.

**Payment For Additional Professional Services**

27. Contractors who satisfy certain criteria can apply to the Health and Social Care Board for a payment of £1530.84 in respect of additional professional services. The qualifying criteria are as follows:
- i. the pharmacy must have had passed for payment 1300 prescriptions or more in the relevant month;
  - ii. the pharmacy must have produced a practice leaflet;
  - iii. the pharmacy must display up to a maximum of 8 health promotion leaflets. Contractors may display additional health promotion material if they wish, but are not required to do so to qualify for payment;
  - iv. the contractor must, subject to the conditions of paragraph 30, keep patient medication records.

**Graduated Transitional Payment**

28. Contractors who have passed for payment between 800 and 1299 prescriptions in the relevant month shall receive a graduated transitional payment rising from £765.42 a month at 800 prescriptions to £1529.67 at 1299 prescriptions.

**Essential Small Pharmacy Scheme**

**Criteria**

- 29.1 Those pharmacies that dispense less than 1300 prescriptions per month and are more than 1 kilometre from the next nearest pharmacy, by the route most convenient to the public, will qualify for inclusion in the scheme.
- 29.2 Contractors will also be required to meet the qualifying conditions for the additional professional services payment, other than, of course, the volume threshold.

**Payment**

- 29.3 The rate of payment shall be £0.98 for each prescription by which the number actually dispensed per month falls short of 1300 subject to a maximum of £686 (700 x £0.98). Payment will be calculated monthly by the BSO.
- 29.4 Part-time essential small pharmacies will qualify for a proportion of the payment based on their hours of opening. The proportions shall be as follows: -

|  |     |
|--|-----|
| Pharmacy open  |     |
| up to 6 hours per week                                     | 60% |
| between 6 hours and up to 12 hours per week                | 70% |
| between 12 hours and up to and including 18 hours per week | 80% |

**Professional Allowance**

- 29.5 Full rate professional allowance will be payable to full time essential small pharmacies without the need to dispense 1300 prescriptions, provided that the other qualifying conditions are met.
- 29.6 Part-time essential small pharmacies will receive a proportion of the full professional allowance calculated as above.

**Essential Small Pharmacy Scheme cont.**

**Applications**

29.7 Contractors shall apply for payment by completing the appropriate application form and forwarding it to the Health and Social Care Board..

29.8 The Board, within 4 weeks of receipt of an application, shall in respect of each pharmacy: -

- (1) verify the distance from the next pharmacy, the normal hours of service provided, and the number of prescriptions dispensed. To determine qualification the number of prescriptions per month will be based on the number dispensed in the 12 months immediately preceding the application. Thereafter, payment will be based on the number actually dispensed each month;
- (2) verify whether the qualifying conditions, other than volume, for receipt of the payment for additional professional services are met;
- (3) notify the CPNI by sending a photocopy of side 1 of the application form. Side 2 should under no circumstances be sent, as it is important that the number of prescriptions dispensed by an applicant is not divulged;
- (4) decide whether the pharmacy can be included in the scheme;
- (5) enter the name of each successful applicant on an essential small pharmacy register;
- (6) advise the BSO of each successful applicant and ask them to make appropriate monthly payments;
- (7) inform without delay any applicant who has not been successful, setting out the reason why.

Claim forms should be retained for 6 years after the date of decision.

**Advice To Residential Homes**

30.1 These arrangements cover the provision of advice by a pharmacist to residential homes provided under Article 15 of the HPSS (NI) Order 1972, residential homes and nursing homes registered under Articles 10 and 11 of the HPSS (Quality, Improvement & Regulation) (NI) Order 2003.

30.2 The Health and Social Care Board may grant contracts to chemist contractors who undertake that the pharmacists(s) they employ or use to provide the service will comply with any necessary education/training requirements as determined or approved by the Committee for Post Qualification Education and Training (PQET), and will conform to the practice standards generally accepted in the pharmaceutical profession.

30.3 The number of homes an individual contractor may serve for contract purposes is limited to 5. However the Board may grant service contracts in respect of an additional number of homes where it can be demonstrated that prior to 1 April 1991 the contractor already provided a service to more than 5 homes, or where the Board and the Area Pharmaceutical Advisory Committee are satisfied that no other contractor in the area is willing to serve the homes in question. No home may have an arrangement with more than one chemist contractor.

### Advice To Residential Homes Cont

- 30.4 It will be for the chemist contractor to seek initial agreement on service provision with the manager or appropriate officer in charge of a home, and thereafter to apply to the Board for contract approval. The agreement form, obtainable from the Board, requires the signatures of both the contractor and the manager/officer in charge of the home in question.
- 30.5 The service must be provided by pharmacists, either a proprietor pharmacist included in the pharmaceutical list or a pharmacist employed by a chemist contractor.
- 30.6 The service requirements shall include an initial visit, with subsequent visits at intervals of not more than 3 months, the giving of advice on the safekeeping and correct administration of drugs and medicines, and the keeping of records of visits made and advice given.

### Payments

- 30.7 The rates and frequency of payment will be determined by the Health and Social Care Board.

### Patient Medication Records Scheme

- 31.1. These arrangements, which from 1 April 1996 formed one of the criteria for the receipt of the allowance for additional professional services, cover the keeping of records of medicines and advice supplied patients who are on long-term medication, and who are in one of the following two groups:
- (a) men and women aged 60 or over;
  - (b) other patients who, in the opinion of the pharmacist, may have difficulty in understanding the nature and dosage of the medicine or drugs supplied, and the times at which they are to be taken.
- 31.2 Each record should contain the patient's name, address and date of birth, with information on the medicines supplied i.e. product, dosage, strength, presentation, quantity and date of dispensing; and, if on the prescription, the GP reference.
- 31.3 Contractors will be responsible for registration under, and compliance with, the Data Protection Act. Contractors are advised to ensure that they list the Board as a body to whom the data they hold may be disclosed.
- 31.4 Contractors must undertake that the pharmacist(s) they employ or use to provide the service will comply with any necessary education/training requirements, as determined or approved by the Committee for Post Qualification Education and Training.
- 31.5 Contractor chemists must, within 12 months of being awarded a payment for additional professional services, be able to demonstrate that they satisfy the education and training requirements and are providing patient medication records for a minimum of 50 persons from the groups defined in paragraph 31.1. To remain eligible these criteria must continue to be maintained.
- 31.6 Records maintained in connection with the residential homes scheme are not reckonable under this scheme.

**Payments**

- 31.7 From 1 April 1996 payments were subsumed within the allowance for additional professional services.
- 31.8 Under the terms of the Health and Personal Social Services (Pharmaceutical Services) Regulations (Northern Ireland) 1997 (as amended), the Board have a right of access to the records maintained by the contractor for the purposes of this scheme.

**Additional Notes**

**Rectified Spirit**

32. i. Where Alcohol (i.e. 95%) or Rectified Spirit, or any other of the Dilute Alcohols is prescribed alone or as an ingredient in a medicament for external application, it should be replaced by Industrial Methylated Spirit unless the prescriber has indicated to the contrary (e.g. by the use of the letters "NA", meaning "no alternative"). In the absence of such indication, payment will be made for the supply of Industrial Methylated Spirit.
- ii. Where Alcohol (i.e. 95%) or Rectified Spirit, or any other of the Dilute Alcohols is prescribed as an ingredient of a medicine for internal use and where the chemist does not claim a rebate from the Customs and Excise, he must endorse the prescription "Rebate not claimed" when the price of the duty paid alcohol will be allowed.

**Oxygen Apparatus**

33. The rates of payment of professional fees for the provision of oxygen therapy equipment is determined by the Health and Social Care Board.

### Reward Scheme - Fraudulent Prescription Forms

34. Payments to chemists who claim a payment under regulation 10A(1) of the Health and Personal Social Services (Pharmaceutical Services) Regulations (Northern Ireland) 1997, as amended.

The Scheme allows chemists to claim a financial reward where they have identified a fraudulent prescription form, and thereby prevented fraud. A reward is payable where there is an identified saving for the Health Service and the conditions for one or both types of reward has been met.

The scheme allows the BSO to make reward payments on behalf of the Health and Social Care Board on prescription forms submitted with claims

#### ***The Basic Reward***

***Claims made where the chemist has not provided the drugs, medicines, or listed appliances specified on the fraudulent prescription form.***

The chemist will be eligible for a payment of 10% of the basic Health Service price of the items ordered on the fraudulent prescription form, or £10, whichever is the greater, where all the conditions for payment are met.

The conditions for payment are:

- i. the drugs, medicines, or listed appliances specified on the fraudulent prescription form have **not** been provided, and the Board was immediately informed, in accordance with regulation 10A(1)(a);
- ii. a claim is made by returning to the BSO a duly completed claim form, provided by the BSO, within 10 days of the prescription form having been presented;
- iii. the form presented as a prescription form was not a genuine order for the person named on the form; an order would not be a genuine order if, for example, it had been stolen or counterfeited and not signed by an authorised prescriber; or had been altered otherwise than by the authorised prescriber by whom it was issued.

#### ***The Bonus Reward***

***Where the chemist has either not provided the drugs, medicines, or listed appliances specified on the fraudulent prescription form presented; or where the chemist has provided the drugs, medicines, or listed appliances specified, but subsequently came to have reason to believe that the prescription was not genuine***

The chemist will be eligible for a payment of 5% of savings resulting from the information he provides, or £10,000, whichever is the less, where the conditions for payment are met.

The conditions for payment are:

- i. the Board was immediately informed, in accordance with regulation 10(A)(1)(a), or informed within 14 days of the prescription being presented to the chemist, in accordance with regulation 10A(1)(b) as appropriate;
- ii. a claim is made by returning to the BSO a duly completed claim form, provided by the BSO, within 24 days of the form having been presented;

### Reward Scheme - Fraudulent Prescription Forms cont

- iii. the form presented as a prescription form was not a genuine order for the person named on the form; an order would not be a genuine order if, for example, it had been stolen or counterfeited and not signed by an authorised prescriber; or had been altered otherwise than by the authorised prescriber by whom it was issued.
- iv. the BSO consider that the information on the claim form has contributed to the detection and prevention of a fraud, or the recovery for the Health Service of sums lost through a fraud, other than the cost of the drugs or listed appliances ordered on the fraudulent prescription form which is the subject of the claim; to satisfy this condition, the BSO must consider that at least one of the following criteria is fulfilled:
  - the fraud would not have been detected or stopped without the information provided on the claim
  - the fraud would not have been detected until a later date, or would not have been stopped until a later date, without the information provided on the claim
  - the information provided on the claim was cited as evidence in criminal or civil proceedings; this is regardless of the outcome of those proceedings, provided that condition (v) below is met
- v. the BSO considers that the fraud, about which the claim provided information, has been stopped subsequent to the claim being received.

The BSO will estimate savings resulting from the information provided, by the addition of (a) and (b) as follows:

- (a) losses prevented will be calculated by reference to an estimate of whichever is the greater of:
  - losses in the 12 months up to the stopping of the fraud, or
  - losses in the financial year previous to the stopping of the fraud, or
  - an annual rate of loss over an average of up to 5 previous financial years before the stopping of the fraud, if the data are available.
- (b) if previous losses to the Health Service are recovered, whether or not by civil proceedings, the total sum recovered.

The level of savings will be agreed with the Policy and Accounting Unit of the Health and Social Services Executive.

If a number of claims, each of which fully meets the conditions for payment, lead to the prevention or detection of one fraud, or the recovery for the Health Service of sums lost through one fraud, a Bonus Reward of 5% of the savings or £20,000, whichever is the smaller, in total may be shared between the claims. The BSO will decide the shares for each claim according to their contributions to the saving for the Health Service, or, if this cannot be reasonably estimated, the shares will be allocated equally to each claim meeting the conditions for payment.



## Calculation of Net Ingredient Costs

### Zero Discount List

10. The gross ingredient cost of HS prescriptions (other than domiciliary oxygen prescriptions) and stock orders shall be calculated in accordance with the Drug Tariff for each of the premises included on a pharmaceutical list. Where one or more persons are included on a pharmaceutical list for the same premises then the gross ingredient cost of their HS prescriptions and of doctors' stock orders shall be calculated by applying the graduated scale of percentage deduction in Part VI of this Tariff to the aggregated gross ingredient cost of each. The items excluded from the total gross ingredient costs for the purpose of that calculation are:

#### GROUP ITEMS

Cold Chain Storage (ALL)  
Controlled Drugs in schedules 1, 2 and 3 of the Misuse of Drugs Regulations 2001  
Cytotoxic or Cytostatic items (ALL)  
Immunoglobulins (ALL)  
Insulins for Injection (ALL)  
Stoma Products, As Listed in Part IX of English Tariff  
Vaccines and Antisera (ALL)  
Unlicensed medicines where the product has been sourced from a supplier holding a MHRA specials or importers licence (prescriptions must be endorsed with invoice price less discount/rebate)

#### INDIVIDUAL ITEMS

Abilify Maintena 400mg powder and solvent for prolonged-release suspension for injection pre-filled syringes  
Abilify Maintena 400mg powder and solvent for prolonged-release suspension for injection vials  
Acetic acid 33% liquid  
Acetic acid dilute 420microlitres/5ml oral solution sugar free  
Acetic acid glacial  
Acetone liquid  
Acetylsalicylic acid (Aspirin powder) powder  
Aclasta 5mg/100ml infusion bottles  
Acumor XL 16mg capsules  
Acumor XL 24mg capsules  
A-CYS 600mg capsules  
A-CYS 600mg tablets  
Adartrel 2mg tablets  
Adcirca 20mg tablets  
Adefovir 10mg tablets  
Adempas tablets (ALL)  
Adoport capsules (ALL)  
Adrenaline (base) (1 in 10,000) dilute solution for injections ampoules (ALL)  
Adrenaline (base) 10mg/10ml (1 in 1,000) solution for injection ampoules  
Adrenaline (base) 5mg/5ml (1 in 1,000) solution for injection ampoules  
Adrenaline (base) 150micrograms/0.15ml (1 in 1,000) solution for injection pre-filled disposable devices  
Adrenaline (base) 150micrograms/0.3ml (1 in 2,000) solution for injection pre-filled disposable devices  
Adrenaline (base) 500micrograms/0.5ml (1 in 1,000) solution for injection pre-filled disposable devices  
Advagraf 1mg modified-release capsules  
Advagraf 3mg modified-release capsules  
Advagraf 5mg modified-release capsules  
Alimemazine 10mg tablets  
Alimemazine 30mg/5ml oral solution  
Alimemazine 7.5mg/5ml oral solution  
Alimentum powder  
Alitretinoin capsules (ALL)  
Alkindi granules in capsules for opening (ALL)  
Alprostadil 20microgram powder and solvent for solution for injection vials

## Zero Discount List

---

Alprostadil 20microgram powder and solvent for solution for injection cartridges  
Alprostadil 40microgram powder and solvent for solution for injection cartridges  
Altraplen Compact Starter Pack liquid  
Altraplen Protein liquid  
Altraplen Protein Starter Pack liquid  
Altrashot 120ml bottles  
Altrashot Starter Pack liquid  
Ambrisentan tablets (ALL)  
Ammonaps 500mg tablets  
Ammonaps 940mg/g granules  
Ammonia solution strong  
Ammonium bicarbonate powder  
Ammonium chloride powder  
Aminophylline 250mg/10ml solution for injection ampoules  
Ampicillin 500mg powder for solution for injection vials  
Anise water concentrated  
APO-go PEN 30mg/3ml solution for injection  
APO-go PFS 50mg/10ml solution for infusion pre-filled syringes  
APO-go 50mg/5ml solution for injection ampoules  
Apomorphine 100mg/20ml solution for infusion vials  
Apomorphine 30mg/3ml solution for injection cartridges  
Apomorphine 30mg/3ml solution for injection pre-filled disposable devices  
Apomorphine 50mg/10ml solution for infusion pre-filled syringes  
Apomorphine 50mg/5ml solution for injection ampoules  
Apraclonidine 1% eye drops 0.25ml unit dose preservative free  
Apremilast 30mg tablets  
Aptamil Pepti 1 powder  
Aptamil Pepti 2 powder  
Aptamil Pepti-Junior powder  
Arimidex 1mg tablets  
Aripiprazole 1mg/1ml oral solution sugar free  
Aripiprazole 400mg powder and solvent for suspension for injection pre-filled syringes  
Aripiprazole 400mg powder and solvent for suspension for injection vials  
Arixtra solution for injection pre-filled syringes (ALL)  
Arnica tincture  
Aromasin 25mg tablets  
Arpoya 10mg tablets  
Arpoya 5mg tablets  
Aspirin 300mg suppositories  
Atomoxetine capsules (ALL)  
Atovaquone 750mg/5ml oral suspension sugar free  
Atropine 1mg/1ml solution for injection ampoules  
Atripla 600mg/200mg/245mg tablets  
Aubagio 14mg tablets  
Aymes Shake Extra powder 85g sachets  
Aymes Shake Extra Starter Pack powder

Baraclude 0.05mg/ml oral solution  
Baraclude tablets (ALL)  
Baricitinib tablets (ALL)  
Basecal200 oral powder 43g sachets  
Beclometasone 0.025% cream  
Beclometasone 0.025% ointment  
Benzocaine powder  
Benzoic acid powder  
Benzoin compound tincture  
Benzoin tincture  
Benzyl benzoate 25% application  
Benzyl benzoate crystals

## Zero Discount List

---

Beriner 500unit powder and solvent for solution for injection vials  
Betaferon 300microgram powder and solvent for solution for injection vials  
Betaloc I.V. 5mg/5ml solution for injection ampoules  
Betamethasone valerate 0.1% / Clioquinol 3% cream  
Betamethasone valerate 0.1% / Clioquinol 3% ointment  
Betamethasone valerate 0.1% / Neomycin 0.5% cream  
Betamethasone valerate 0.1% / Neomycin 0.5% ointment  
Betaine oral powder  
Betaquik liquid  
Biktarvy 50mg/200mg/25mg tablets  
Bismuth subnitrate powder  
Borax powder  
Boric Acid powder  
Bramox 5mg tablets  
Branched-Chain Amino Acid Module powder  
Bricanyl 2.5mg/5ml solution for injection ampoules  
Brivaracetam 100mg tablets  
Brivaracetam 25mg tablets  
Brivaracetam 50mg/5ml oral solution sugar free  
Brivaracetam 50mg tablets  
Brivaracetam 75mg tablets  
Briviact 100mg tablets  
Briviact 10mg/ml oral solution  
Briviact 25mg tablets  
Briviact 50mg tablets  
Briviact 75mg tablets  
Bromocriptine 2.5mg tablets  
Bronchitol 40mg inhalation powder capsules with two devices  
Budenofalk 3mg gastro-resistant capsules  
Budenofalk 9mg gastro-resistant granules sachets  
Budesonide 1mg orodispersible tablets sugar free  
Budesonide 1mg/2ml nebuliser liquid unit dose vials  
Budesonide 2mg/100ml enema  
Budesonide 3mg gastro-resistant capsules  
Budesonide 500micrograms/2ml nebuliser liquid unit dose vials  
Budesonide 9mg gastro-resistant granules sachets  
Bumetanide 1mg/5ml oral solution sugar free  
Buserelin nasal spray (ALL)

Cabaser 1mg tablets  
Cabaser 2mg tablets  
Caffeine citrate powder  
Calcium polystyrene sulfonate powder sugar free  
Calcium Resonium powder  
Calamine and coal tar ointment  
Calogen emulsion  
Calogen Extra emulsion  
Calogen Extra Shots emulsion  
Camellia sinensis extract 10% ointment  
Camphor racemic powder  
Camphor water concentrated  
Capexion 0.5mg capsules  
Capimune 100mg capsules  
Capimune 50mg capsules  
Capsaicin 179mg cutaneous patches  
Capsicum tincture  
Capsorin 100mg capsules  
Captopril 5mg/5ml oral solution sugar free  
Carbamazepine suppositories (ALL)

## Zero Discount List

---

Carbimazole 15mg tablets  
Cardamom compound tincture  
Casodex tablets (ALL)  
Catephen 10% ointment  
Caverject 20microgram powder and solvent for solution for injection vials  
Ceftriaxone 2g powder for solution for injection vials  
CellCept 1g/5ml oral suspension  
CellCept 250mg capsules  
CellCept 500mg tablets  
Celsentri tablets (ALL)  
Ceptava 360mg gastro-resistant tablets  
Cetrimide powder  
Champix 0.5mg/1mg 4 week treatment initiation pack  
Chenodeoxycholic acid 250mg capsules  
Chloral hydrate crystals  
Chloramphenicol 250mg capsules  
Chloral hydrate 143.3mg/5ml oral solution BP  
ChloraPrep solution 26ml applicators  
ChloraPrep with Tint solution 26ml applicators  
Chlorhexidine gluconate 0.5% solution  
Chlorhexidine gluconate 2% / Isopropyl alcohol 70% solution 26ml applicators  
Chlorhexidine gluconate 4% solution  
Chlorocresol powder  
Chloroform and morphine tincture  
Chloroform liquid  
Chloroform spirit  
Chloroform water concentrated  
Chloroquine phosphate 80mg/5ml oral solution  
Cholestagel 625mg tablets  
Cialis 2.5mg tablets  
Cialis 5mg tablets  
Cialis 10mg tablets  
Ciclosporin 0.1% eye drops 0.3ml unit dose  
Cimzia 200mg/1ml solution for injection pre-filled syringes  
Cinacalcet tablets (ALL)  
Ciprofibrate 100mg tablets  
Citric acid monohydrate powder  
Citronella oil liquid  
Clarithromycin 500mg powder for solution for infusion vials  
Clexane 300mg/3ml solution for injection multidose vials  
Clexane Forte solution for injection pre-filled syringes (ALL)  
Clexane 40mg/0.4ml solution for injection pre-filled syringes  
Clexane 60mg/0.6ml solution for injection pre-filled syringes  
Clexane 80mg/0.8ml solution for injection pre-filled syringes  
Clexane 100mg/1ml solution for injection pre-filled syringes  
Clobazam 10mg/5ml oral suspension sugar free  
Clobazam 5mg/5ml oral suspension sugar free  
Clove oil liquid  
Clozaril 100mg tablets  
Coal tar solution  
Coal tar solution strong  
Co-codaprin 8mg/400mg dispersible tablets  
Co-danthramer 25mg/200mg/5ml oral suspension sugar free  
Co-danthrusate 50mg/60mg/5ml oral suspension sugar free  
Colesevelam 625mg tablets  
Colistimethate 1million unit powder for solution for injection vials  
Colistimethate 1,662,500unit inhalation powder capsules  
Colistimethate 2million unit powder for solution for injection vials  
Colobreathe 1,662,500unit inhalation powder capsules  
Colomycin 2million unit powder for solution for injection vials

## Zero Discount List

---

Combivir 150mg/300mg tablets  
Complete Amino Acid Mix Powder  
Concord 693 250mg capsules  
Copegus 400mg tablets  
Copper sulfate pentahydrate powder  
CosmoFer 500mg/10ml solution for injection ampoules  
Cresemba 100mg capsules  
Crystal violet powder BP 1980  
Cystadane oral powder  
Cystagon capsules (ALL)  
Cystine500 oral powder sachets

Dabigatran etexilate 150mg capsules  
Dabigatran etexilate 75mg capsules  
Dacepton 100mg/20ml solution for infusion vials  
Dacepton 30mg/3ml solution for injection cartridges  
Dalteparin sodium 10,000units/0.4ml solution for injection pre-filled syringes  
Dalteparin sodium 10,000units/1ml solution for injection pre-filled syringes  
Dalteparin sodium 100,000units/4ml solution for injection vials  
Dalteparin sodium 12,500units/0.5ml solution for injection pre-filled syringes  
Dalteparin sodium 15,000units/0.6ml solution for injection pre-filled syringes  
Dalteparin sodium 18,000units/0.72ml solution for injection pre-filled syringes  
Dalteparin sodium 5,000units/0.2ml solution for injection pre-filled syringes  
Dalteparin sodium 7,500units/0.3ml solution for injection pre-filled syringes  
Dalteparin sodium solution for injection ampoules (ALL)  
Dapsone tablets (ALL)  
Darunavir 800mg tablets  
Decapeptyl SR powder and solvent for suspension for injection vials (ALL)  
Deferasirox tablets (ALL)  
Deferiprone 1g tablets  
Degarelix powder and solvent for solution for injection vials (ALL)  
Demeclocycline 150mg capsules  
Descovy tablets (ALL)  
Desitrend 1000mg granules sachets  
Desitrend 500mg/5ml concentrate for solution for infusion ampoules  
Denzapine 100mg tablets  
Desferal 500mg powder for solution for injection vials  
Desmopressin 150micrograms/dose nasal spray  
Desmospray 10micrograms/dose nasal spray  
Dexamethasone 20mg/5ml oral solution sugar free  
Deximune 100mg capsules  
Deximune 50mg capsules  
Diacomit capsules (ALL)  
Diacomit oral powder sachets (ALL)  
Dialamine powder  
Dicycloverine tablets (ALL)  
Dicycloverine 10mg/5ml oral solution  
Diethylstilbestrol tablets (ALL)  
Dificlir 200mg tablets  
Diflucan 200mg capsules  
Diflucan 200mg/5ml oral suspension  
Diloxanide 500mg tablets  
Dithranol powder  
DocOmega oral powder 4g sachets  
Docusate 120mg/10g enema  
Dolutegravir tablets (ALL)  
Domperidone 1mg/ml oral suspension sugar free  
Donepezil orodispersible tablets (ALL)  
Doxylamine 10mg / Pyridoxine 10mg gastro-resistant tablets  
Duocal Super Soluble powder

## Zero Discount List

---

Dynastat 40mg powder and solvent for solution for injection vials  
Dynastat 40mg powder for solution for injection vials

EAA Supplement oral powder 12.5g sachets  
Easiphen liquid  
Edurant 25mg tablets  
EleCare powder  
Elemental 028 Extra liquid  
Elemental 028 Extra powder  
Elive Cod Liver Oil 1000mg capsules  
Elmino XL 16mg capsules  
Elmiron 100mg capsules  
Eltrombopag tablets (ALL)  
Emerade (1 in 1,000) solution for injection auto-injectors (ALL)  
Emsogen powder  
Emtricitabine / Tenofovir alafenamide tablets (ALL)  
Energivit powder  
Enoxaparin sodium 40mg/0.4ml solution for injection pre-filled syringes  
Enoxaparin sodium 60mg/0.6ml solution for injection pre-filled syringes  
Enoxaparin sodium 80mg/0.8ml solution for injection pre-filled syringes  
Enoxaparin sodium 100mg/1ml solution for injection pre-filled syringes  
Enoxaparin sodium 120mg/0.8ml solution for injection pre-filled syringes  
Enoxaparin sodium 150mg/1ml solution for injection pre-filled syringes  
Enoxaparin sodium 300mg/3ml solution for injection vials  
EN-Selenium 200microgram tablets  
Enshake oral powder 96.5g sachets  
Ensure Compact liquid  
Ensure liquid  
Ensure Plus Advance liquid  
Ensure Plus Commence liquid  
Ensure Plus Creme  
Ensure Plus Fibre liquid  
Ensure Plus Juice liquid  
Ensure TwoCal liquid  
EN-Taurine 500mg capsules  
Entecavir 50micrograms/ml oral solution sugar free  
Entocort 2mg/100ml enema  
Entresto tablets (ALL)  
Enzalutamide 40mg capsules  
Epclusa 400mg/100mg tablets  
Epilim Chronosphere MR 100mg granules sachets  
Epilim Chronosphere MR 250mg granules sachets  
Epilim Chronosphere MR 500mg granules sachets  
Epilim Chronosphere MR 50mg granules sachets  
Epilim Intravenous 400mg powder and solvent for solution for injection vials  
EpiPen 300micrograms/0.3ml (1 in 1,000) solution for injection auto-injectors  
EpiPen Jr. 150micrograms/0.3ml (1 in 2,000) solution for injection auto-injectors  
Episenta 300mg/3ml solution for injection ampoules  
Epivir tablets (ALL)  
Erastig 13.3mg/24hours transdermal patches  
Erythromycin 1g powder for solution for infusion vials  
Esbriet 267mg capsules  
Esbriet tablets (ALL)  
Esmya 5mg tablets  
Essential Amino Acid Mix powder  
Ethanol 70% duty paid  
Ethanol 90% including duty  
Ethanol Absolute Duty Paid  
Ethosuximide 250mg capsules  
Ether solvent

## Zero Discount List

---

Ethinylestradiol 10mcg tablets  
Ethinylestradiol 1mg tablets  
Ethinylestradiol 50mcg tablets  
Etonogestrel 68mg implant  
Eucalyptus oil liquid  
Eviplera 200mg/25mg/245mg tablets  
Evotaz 300mg/150mg tablets  
Exjade tablets (ALL)  
Extavia 300microgram powder and solvent for solution for injection vials

Famciclovir 250mg tablets  
Famciclovir 500mg tablets  
Fampyra 10mg modified-release tablets  
Femara 2.5mg tablets  
Feracru 30mg capsules  
Ferinject solution for injection vials (ALL)  
Ferric chloride solution  
Ferric maltol (iron 30mg) capsules  
Ferriprox 1000mg tablets  
Ferrous sulfate heptahydrate powder  
Fidaxomicin 200mg tablets  
Fingolimod 500microgram capsules  
Firdapse 10mg tablets  
Firmagon powder and solvent for solution for injection vials (ALL)  
Flexible collodion methylated  
Flixotide Nebules (ALL)  
Flixotide 500micrograms/dose Accuhaler  
Flucloxacillin 1g powder for solution for injection vials  
Flucloxacillin 500mg powder for solution for injection vials  
Fluconazole 200mg/100ml solution for infusion vials  
Fluconazole 200mg/5ml oral suspension  
Fluticasone 250micrograms/dose / Formoterol 10micrograms/dose inhaler CFC free  
Fluticasone nebuliser liquid unit dose vials (ALL)  
Fluticasone propionate 500micrograms/dose dry powder inhaler  
Flutiform 250micrograms/dose / 10micrograms/dose inhaler  
Follitropin alfa 75unit powder and solvent for solution for injection vials  
Follitropin alfa 450unit powder and solvent for solution for injection vials  
Fondaparinux sodium solution for injection pre-filled syringes (ALL)  
Formaldehyde solution  
Forticare liquid  
Forticreme Complete dessert  
Fortini 1.0 Multi Fibre liquid  
Fortini Compact Multi Fibre liquid  
Fortini Creamy Fruit Multi Fibre  
Fortini liquid  
Fortini Multi Fibre liquid  
Fortini Smoothie Multi Fibre liquid  
Fortisip 2kcal liquid  
Fortisip Compact Fibre liquid  
Fortisip Compact Fibre Starter Pack liquid  
Fortisip Compact Protein liquid  
Fortisip Compact Protein Starter Pack liquid  
Fortisip Compact Starter Pack liquid  
Fortisip Extra liquid  
Fortisip Yogurt Style liquid  
Fortum 1g powder for solution for injection vials  
Fortum 2g powder for solution for injection vials  
Fosrenol chewable tablets (ALL)  
Fosrenol oral powder sachets (ALL)

## Zero Discount List

---

Fragmin 10,000units/0.4ml solution for injection pre-filled syringes  
Fragmin 100,000units/4ml solution for injection vials  
Fragmin 12,500units/0.5ml solution for injection pre-filled syringes  
Fragmin 15,000units/0.6ml solution for injection pre-filled syringes  
Fragmin 18,000units/0.72ml solution for injection pre-filled syringes  
Fragmin 5,000units/0.2ml solution for injection pre-filled syringes  
Fragmin 7,500units/0.3ml solution for injection pre-filled syringes  
Fragmin Graduated Syringe 10,000units/1ml solution for injection pre-filled syringes  
Fragmin solution for injection ampoules (ALL)  
Frebini Energy Drink  
Frebini Energy Fibre liquid  
Frebini Energy Fibre liquid unflavoured  
Frebini Energy liquid  
Frebini Original Fibre liquid  
Frebini Original liquid  
FreeStyle Libre Sensor  
FreeStyle Libre 2 Sensor  
Fresubin 1000 Complete liquid  
Fresubin 1200 Complete liquid  
Fresubin 1500 Complete liquid  
Fresubin 1800 Complete liquid  
Fresubin 2250 Complete liquid  
Fresubin 2kcal Fibre drink  
Fresubin 5kcal shot drink  
Fresubin Energy Fibre liquid  
Fresubin Energy liquid unflavoured  
Fresubin HP Energy liquid  
Fresubin Original Fibre liquid  
Fresubin Original liquid unflavoured  
Fresubin Soya Fibre liquid  
Fresubin Thickened Level 3  
FruitiVits oral powder 6g sachets  
Furosemide 250mg/25ml solution for injection ampoules

GA amino5 oral powder 6g sachets  
GA gel oral powder 24g sachets  
GA1 Anamix Infant powder  
GA1 Anamix Junior oral powder 18g sachets  
GA1 Maxamum powder  
Galactomin 17 powder  
Galactomin 19 powder  
Galsya XL capsules (ALL)  
Gamolenic acid capsules (ALL)  
Gastrografin oral solution  
Genvoya 150mg/150mg/200mg/10mg tablets  
Gilenya 0.5mg capsules  
Ginger tincture strong  
Gluchon-S Glucosamine sulfate 400mg / Chondroitin 100mg capsules  
Gluchon-S Glucosamine sulfate 500mg / Chondroitin 400mg tablets  
Glycopyrronium bromide tablets (ALL)  
Glycopyrronium bromide 1mg/5ml oral solution sugar free  
Glycopyrronium bromide 400micrograms/ml oral solution sugar free  
Glycopyrronium bromide powder for solution for iontophoresis  
Glycosade oral powder 60g sachets  
Glytactin BetterMilk 15 oral powder sachets  
Glytactin BetterMilk Lite 20 oral powder 46g sachets  
Glytactin Build 10 oral powder 16g sachets  
Glytactin Build 20/20 oral powder 30g sachets  
Glytactin Complete 15 81g bars  
Glytactin Restore 5 oral powder 20g sachets



## Zero Discount List

---

Glytactin Restore Lite 20 oral powder 38g sachets  
Glytactin RTD 10 liquid  
Glytactin RTD 15 liquid  
Gonal-f 75unit powder and solvent for solution for injection vials  
Gonal-f 450unit powder and solvent for solution for injection vials  
Gosachew 1500mg chewable tablets  
Gosachew 500mg/400mg chewable tablets  
Gosa-S 500mg capsules  
Goserelin 10.8mg implant pre-filled syringes  
Goserelin 3.6mg implant pre-filled syringes  
Grazax 75,000 SQ-T oral lyophilisates  
Griseofulvin 125mg tablets  
Guaifenesin powder

Haloperidol 200micrograms/ml oral solution sugar free  
Halkid 200micrograms/ml oral solution  
Harvoni 90mg/400mg tablets  
HealthAid Mega CO-Q-10 120mg capsules  
HCU Anamix Infant powder  
HCU Anamix Junior LQ liquid  
HCU Anamix Junior oral powder 36g sachets  
HCU cooler liquid  
HCU express15 oral powder 25g sachets  
HCU express20 oral powder 34g sachets  
HCU gel oral powder 24g sachets  
HCU Lophlex LQ 20 liquid  
HCU-LV oral powder 27.8g sachets  
HCU Maxamum powder  
Heparin sodium 10,000units/10ml solution for injection ampoules  
Heparin sodium 20,000units/20ml solution for injection ampoules  
Heparin sodium 25,000units/1ml solution for injection ampoules  
Heparin sodium 5,000units/0.2ml solution for injection ampoules  
Heparin sodium 5,000units/1ml solution for injection ampoules  
Heparin sodium 5,000units/5ml solution for injection ampoules  
Heparon Junior powder  
Hepsera 10mg tablets  
Hydrocortisone 5mg modified-release tablets  
Hydrocortisone acetate 25mg/1ml suspension for injection ampoules  
Hydrocortisone granules in capsules for opening (ALL)  
Hydrocortisone powder  
Hydrocortistab 25mg/1ml suspension for injection ampoules  
Hydrogen peroxide 35% solution  
Hydrogen peroxide 6% solution  
Hydrogen peroxide 9% solution  
Hydrolysed whey protein / Maltodextrin powder  
Hyoscine 1mg/72hours transdermal patches

Ibandronic acid 3mg/3ml solution for injection pre-filled syringes  
Ichthammol liquid  
Ikervis 0.1% eye drops 0.3ml unit dose  
Imigran tablets (ALL)  
Imigran 20mg nasal spray  
Imigran Radis 100mg tablets  
Imigran Subject 6mg/0.5ml solution for injection pre-filled syringes with device  
Imigran Subject 6mg/0.5ml solution for injection syringe refill pack  
Imnovid 2mg capsules  
Inclisiran 284mg/1.5ml solution for injection pre-filled syringes **NEW**  
Indoramin 25mg tablets  
Industrial methylated spirit 70%  
Industrial methylated spirit 70%/Glycerol 1% gel

## Zero Discount List

---

Industrial methylated spirit 95%  
Industrial methylated spirit 99%  
Infatrini liquid  
Infatrini Peptisorb liquid  
Innohep 10,000units/0.5ml solution for injection pre-filled syringes  
Innohep 12,000units/0.6ml solution for injection pre-filled syringes  
Innohep 14,000units/0.7ml solution for injection pre-filled syringes  
Innohep 16,000units/0.8ml solution for injection pre-filled syringes  
Innohep 18,000units/0.9ml solution for injection pre-filled syringes  
Innohep 8,000units/0.4ml solution for injection pre-filled syringes  
Innohep solution for injection vials (ALL)  
Iodine alcoholic solution  
Iodine aqueous oral solution  
Iodine solution strong  
Iodoform compound paint BPC 1954  
Iodoform powder BPC 1954  
Iopidine 1% eye drops 0.25ml unit dose  
Ipecacuanha liquid extract  
Iron dextran 500mg/10ml solution for injection ampoules  
Isentress 400mg tablets  
Isocarboxazid 10mg tablets  
Isoleucine50 oral powder 4g sachets  
Isopropyl alcohol 70% / Hydrogen peroxide 0.125% liquid  
Isopropyl alcohol 70% / Hydrogen peroxide 0.125% spray  
Isopropyl alcohol 70% / Triclosan 0.5% topical solution  
Isopropyl alcohol (ALL)  
Isosorbide mononitrate 40mg modified-release tablets  
Isosource Junior Mix  
Isotretinoin 40mg capsules

Jaydess 13.5mg intrauterine device  
Jevity 1.5kcal liquid  
Jevity liquid  
Jevity Plus liquid  
Jevity Plus HP gluten free liquid  
Jevity Promote liquid  
Jext 150micrograms/0.15ml (1 in 1,000) solution for injection auto-injectors  
Jorveza 1mg orodispersible tablets  
Jyseleca tablets (ALL) **NEW**

K.Yo semi-solid food 100g pots |  
Keppra 100mg/ml oral solution  
Keppra 500mg/5ml concentrate for solution for infusion vials  
Keppra 1g tablets  
Keppra 500mg tablets  
Keppra 750mg tablets  
KetoCal 2.5:1LQ liquid  
KetoCal 3:1 powder  
KetoCal 4:1 powder  
KetoCal 4:1 LQ liquid  
KetoClassic 3:1 Breakfast porridge  
KetoClassic 3:1 Meal bolognese 126g pouches  
KetoClassic 3:1 Meal chicken 135g pouches  
KetoClassic 3:1 Savoury meal  
Ketoconazole 200mg tablets  
KetoVie 4:1 liquid  
KeyOmega oral powder 4g sachets  
Kigabeq soluble tablets (ALL)  
Kindergen powder  
Kivexa 600mg/300mg tablets

## Zero Discount List

---

Klaricid IV 500mg powder for solution for infusion vials

L-Arginine powder (Nutricia Ltd)  
Lacosamide 150mg tablets  
Lacosamide 200mg tablets  
Lactic acid liquid  
Lamictal 100mg dispersible tablets  
Lamictal 100mg tablets  
Lamictal 2mg dispersible tablets  
Lamictal 25mg dispersible tablets  
Lamictal 200mg tablets  
Lamivudine tablets (ALL)  
Lamotrigine 2mg dispersible tablets sugar free  
Lanthanum carbonate chewable tablets (ALL)  
Lanthanum carbonate oral powder sachets (ALL)  
LarVE  
Lavender oil liquid  
Leflunomide 15mg tablets  
Lemon spirit  
Lenalidomide 10mg capsules  
Lenalidomide 25mg capsules  
Lenalidomide 5mg capsules  
Lenalidomide 7.5mg capsules  
Leucine100 oral powder sachets  
Leuprorelin 11.25mg powder and solvent for suspension for injection pre-filled syringes  
Levetiracetam 100mg/ml oral solution sugar free  
Levetiracetam 1g granules sachets sugar free  
Levetiracetam 500mg/5ml solution for infusion ampoules  
Levetiracetam 500mg/5ml solution for infusion vials  
Levocarnitine 1.5g/5ml oral solution paediatric  
Levomepromazine 6mg tablets  
Levonorgestrel 13.5mg intrauterine device  
Levonorgestrel 20micrograms/24hours intrauterine device  
Levosert 20micrograms/24hours intrauterine device  
Levothyroxine sodium 100micrograms/5ml oral solution sugar free  
Linezolid 100mg/5ml oral suspension  
Linezolid 600mg tablets  
Liothyronine 5microgram tablets  
Liothyronine 10microgram tablets  
Liothyronine 20microgram tablets  
Lipistart powder  
Liquigen emulsion  
Lisinopril 5mg/5ml oral solution sugar free  
Lithium carbonate 250mg tablets  
Locasol powder  
Lodotra 1mg modified-release tablets  
Lophlex powder 27.8g sachets  
Loprofin SNO-PRO drink  
Lorenzo's oil  
Lotprosin XL capsules (ALL)

Magenta powder  
Magstar 160mg capsules  
Malarivon 80mg/5ml syrup  
Malarone 250mg/100mg tablets  
Mannitol 40mg inhalation powder capsules with two devices  
Maraviroc tablets (ALL)  
Mastic compound paste  
Maviret 100mg/40mg tablets  
MCTprocal oral powder 16g sachets

## Zero Discount List

---

Mebeverine 50mg/5ml oral suspension sugar free  
Medrone 100mg tablets  
Medroxyprogesterone 400mg tablets  
Mefenamic acid 50mg/5ml oral suspension  
Meglumine amidotrizoate 3.3g/5ml / Sodium amidotrizoate 500mg/5ml oral solution sugar free  
Melatonin 1mg/ml oral solution sugar free  
Melatonin 2mg capsules  
Melatonin 3mg capsules  
Melatonin 5mg capsules  
Memantine 10mg/ml oral solution sugar free  
Menadiol 10mg tablets  
Menopur 75unit powder and solvent for solution for injection vials  
Menopur 150unit powder and solvent for solution for injection vials  
Menthol crystals  
Mercaptamine 150mg capsules  
Mercaptamine 50mg capsules  
Merional powder and solvent for solution for injection vials (ALL)  
Meronem powder for solution for injection vials (ALL)  
Mesalazine 1g/application foam enema  
Mesalazine 1g gastro-resistant tablets  
Mesalazine 1.6mg gastro-resistant tablets  
Mesalazine 400mg gastro-resistant tablets  
Mesalazine 800mg gastro-resistant tablets  
Mestinon retard 180mg tablets  
Metformin 500mg/5ml oral solution sugar free  
Methyl salicylate 25% liniment  
Methyl salicylate 50% ointment  
Methyldopa 125mg tablets  
Methylnaltrexone bromide 12mg/0.6ml solution for injection vials  
Methylprednisolone 100mg tablets  
Methylprednisolone sodium succinate 1g powder and solvent for solution for injection vials  
Metyrapone 250mg capsules  
Metopirone 250mg capsules  
Midodrine 5mg tablets  
Mimpara tablets (ALL)  
Mineralised methylated spirit  
Mirena 20micrograms/24hours intrauterine device  
Misoprostol 400microgram tablets  
MMA/PA amino5 oral powder 6g sachets  
MMA / PA Anamix Junior oral powder 18g sachets  
Modafinil tablets (ALL)  
Modigraf granules sachets (ALL)  
Modisal XL 40mg tablets  
Modulen IBD powder  
Monogen powder  
Moxisylyte 40mg tablets  
MSUD Aid 111 powder  
MSUD amino5 oral powder 6g sachets  
MSUD Anamix Infant powder  
MSUD Anamix Junior LQ liquid  
MSUD Anamix Junior oral powder sachets  
MSUD cooler liquid  
MSUD express15 oral powder 25g sachets  
MSUD express20 oral powder 34g sachets  
MSUD gel 24g sachets  
MSUD Lophlex LQ 20 liquid  
MSUD Maxamum powder  
Multaq 400mg tablets  
Mycobutin 150mg capsules  
Mycophenolic acid 360mg gastro-resistant tablets

## Zero Discount List

---

Mycophenolate mofetil 1g/5ml oral suspension sugar free  
Myfenax 250mg capsules  
Myfenax 500mg tablets  
Myfortic gastro-resistant tablets (ALL)

Nafarelin 200micrograms/dose nasal spray  
Nalcrom 100mg capsules  
Nebido 1000mg/4ml solution for injection vials  
Nebivolol 2.5mg tablets  
Nemdatine 20mg tablets  
Neocate Advance powder  
Neocate Junior powder  
Neocate LCP powder  
Neocate Spoon powder  
Neocate Syneo powder  
Neostigmine 15mg tablets  
Neotigason 25mg capsules  
Nepro HP liquid  
Neupro transdermal patches (ALL)  
Nexplanon 68mg implant  
Nitrazepam 2.5mg/5ml oral suspension  
Nitrofurantoin 25mg/5ml oral suspension sugar free  
Norgalax 120mg/10g enema  
Noxafil 40mg/ml oral suspension  
Noxafil 100mg gastro-resistant tablets  
Noyada 5mg/5ml oral solution  
Nutilus Complete Creme Level 3 custard  
Nutilus Complete Drink Level 3 liquid  
Nutilus Fruit Dessert Level 4  
Nutramigen 1 with LGG powder  
Nutramigen 2 with LGG powder  
Nutramigen 3 with LGG powder  
Nutramigen PurAmino powder  
Nutricia Flavour Modjul powder  
Nutricrem dessert  
Nutricrem Starter Pack dessert  
Nutrini Energy liquid  
Nutrini Energy Multifibre liquid  
Nutrini liquid  
Nutrini Low Energy Multifibre liquid  
Nutrini Multifibre liquid  
Nutrini Peptisorb Energy liquid  
Nutrini Peptisorb liquid  
Nutriprem 2 liquid  
Nutrison 800 Complete Multi Fibre liquid  
Nutrison 1000 Complete Multi Fibre liquid  
Nutrison 1200 Complete Multi Fibre liquid  
Nutrison Concentrated liquid  
Nutrison Energy liquid  
Nutrison Energy Multi Fibre liquid  
Nutrison liquid  
Nutrison Low Sodium liquid  
Nutrison MCT liquid  
Nutrison Multi Fibre liquid  
Nutrison Protein Intense liquid  
Nutrison Protein Plus Energy liquid  
Nutrison Protein Plus liquid  
Nutrison Protein Plus Multifibre liquid  
Nutrison Soya liquid  
Nutrison Soya Multi Fibre liquid

## Zero Discount List

---

Ocaliva tablets (ALL) **NEW**  
Octasa 1600mg MR gastro-resistant tablets  
Octim 150micrograms/dose nasal spray  
Odefsey 200mg/25mg/25mg tablets  
Olanzapine oral lyophilisates sugar free (ALL)  
Olumiant tablets (ALL)  
Omeprazole oral suspension sugar free (ALL)  
Ondansetron 16mg suppositories  
Ondansetron 4mg oral lyophilisates sugar free  
Ondansetron 8mg oral lyophilisates sugar free  
Ondansetron 8mg tablets  
Ondansetron 4mg orodispersible tablets  
Ondansetron orodispersible films sugar free (ALL)  
Ongentys 50mg capsules  
Opicapone 50mg capsules  
Opilon 40mg tablets  
Opsumit 10mg tablets  
Optifast shake oral powder sachets  
Optifast soup oral powder sachets  
Oral Impact oral powder 74g sachets  
Orange tincture BP 2001  
Osmolite 1.5kcal tube feed liquid  
Osmolite HP liquid  
Osmolite liquid  
Osmolite Plus liquid  
Otezla 30mg tablets  
Otezla tablets treatment initiation pack  
Oxcarbazepine 600mg tablets  
Oxygen CD cylinder  
Oxygen DD cylinder  
Oxygen PD cylinder

PaediaSure Compact liquid  
PaediaSure fibre liquid  
PaediaSure liquid  
PaediaSure Peptide liquid  
PaediaSure Plus liquid  
PaediaSure Plus fibre liquid  
PaediaSure Plus Juice liquid  
Paliperidone suspension for injection pre-filled syringe (ALL)  
Pamidronate disodium 90mg/6ml solution for infusion ampoules  
Pancrex V oral powder  
Pantoprazole 40mg powder for solution for injection vials  
Parecoxib 40mg powder and solvent for solution for injection vials  
Parecoxib 40mg powder for solution for injection vials  
Paricalcitol 1microgram capsules  
Paricalcitol 2microgram capsules  
Parvovex 2g/10ml concentrate for solution for infusion ampoules  
Pentacarinat 300mg powder for solution for injection vials  
Pentosan polysulfate sodium 100mg capsules  
Peppermint oil liquid  
Peppermint water concentrated  
Peptamen AF liquid  
Peptamen HN liquid  
Peptamen Junior Advance liquid  
Peptamen Junior liquid  
Peptamen Junior powder  
Peptamen liquid  
Peptamen liquid unflavoured

## Zero Discount List

---

Peptisorb liquid  
Perative liquid  
Perfalgan 1g/100ml solution for infusion vials  
Pericyazine 10mg/5ml oral solution  
Phenindione tablets 10mg  
Phenindione tablets 25mg  
Phenol crystals  
Phenol liquefied  
Phenoxybenzamine 10mg capsules  
Phenoxyethanol BP  
Phenylalanine50 oral powder sachets  
Phenylbutazone 100mg tablets  
Phenytoin sodium 250mg/5ml solution for injection ampoules  
Phenytoin sodium 300mg capsules  
Phlexy-10 600mg capsules  
Phlexy-10 drink mix  
Phlexy-10 tablets  
Phlexy-Vits powder  
Phlexy-Vits tablets  
Phosphates enema (Formula B) 128ml long tube  
Plenadren 5mg modified-release tablets  
Piperacillin / Tazobactam powder for solution for infusion vials (ALL)  
PK Aid 4 powder  
PKU Air15 liquid  
PKU Air20 liquid  
PKU Anamix First Spoon oral powder 12.5g sachets  
PKU Anamix Infant powder  
PKU Anamix Junior LQ liquid  
PKU Anamix Junior Powder  
PKU cooler10 liquid  
PKU cooler15 liquid  
PKU cooler20 liquid  
PKU Easy microtabs  
PKU Easy Shake & Go oral powder 34g sachets  
PKU explore10 oral powder 25g sachets  
PKU explore5 oral powder 12.5g sachets  
PKU express15 powder  
PKU express20 powder  
PKU gel powder  
PKU GMPro oral powder 33.3g sachets  
PKU Lophlex LQ 10 liquid  
PKU Lophlex LQ 20 liquid  
PKU Lophlex powder 28g sachets  
PKU Lophlex Sensation 20  
PKU Maxamum oral powder sachets  
PKU Maxamum powder  
PKU sphere15 oral powder  
PKU sphere20 oral powder 35g sachets  
PKU squeezie liquid 85g pouches  
PKU start powder  
PKU Synergy oral powder 33g sachets  
Podophyllum resin powder  
Polyfusor SB sodium chloride 0.45% infusion 500ml bottles  
Polyfusor W water for injection bottles (ALL)  
Posaconazole 100mg gastro-resistant tablets  
Posaconazole 40mg/ml oral suspension  
Potassium chloride 15% (potassium 20mmol/10ml) solution for infusion 10ml ampoules  
Potassium iodide powder  
Potassium permanganate powder  
Pradaxa 150mg capsules

## Zero Discount List

---

Pradaxa 75mg capsules  
Pramipexole 350microgram tablets  
Prednisolone 20mg/application foam enema  
Pregestimil LIPIL powder  
Prezista 100mg/ml oral suspension  
Prezista 800mg tablets  
Primidone 50mg tablets  
Pro-Cal shot  
Pro-Cal shot starter pack  
Proflavine hemisulfate powder  
Prograf capsules (ALL)  
Proguanil 100mg / Atovaquone 250mg tablets  
Prometax 4.6mg/24hours transdermal patches  
Propylthiouracil 50mg tablets  
ProSource jelly  
ProSource liquid 30ml sachets  
ProSource Plus liquid 30ml sachets  
Prostap 3 DCS 11.25mg powder and solvent for suspension for injection pre-filled syringes  
ProSure liquid  
Provera 400mg tablets  
ProZero liquid  
Psytixol 200mg/1ml solution for injection ampoules  
Pulmocare liquid  
Pyrid-10 tablets  
Pyrid-20 tablets  
Pyridostigmine bromide 180mg modified-release tablets

Quetiapine 300mg modified-release tablets  
Quetiapine 400mg modified-release tablets  
Qutenza 179mg cutaneous patches

Ralnea XL 4mg tablets  
Ralnea XL 8mg tablets  
Raltegravir 400mg tablets  
Rapamune tablets (ALL)  
Raponer XL 8mg tablets  
Rebetol 200mg capsules  
Relistor 12mg/0.6ml solution for injection vials  
Renagel 800mg tablets  
Renapro powder  
Renapro Shot 60ml bottles  
Renastart powder  
Renastep liquid  
Renilon 7.5 liquid  
Renvela 800mg tablets  
Renvela 2.4g oral powder sachets  
ReQuip 1mg tablets  
ReQuip 2mg tablets  
ReQuip 5mg tablets  
ReQuip XL 8mg tablets  
Resonium A powder  
Resource Energy liquid  
Resource Fibre 2.0 liquid  
Resource Junior complete sip feed  
Respifor milkshake style liquid  
Revatio 10mg/ml oral suspension  
Revatio 20mg tablets  
Revlimid 10mg capsules  
Revlimid 25mg capsules



## Zero Discount List

---

Revlimid 5mg capsules  
Revlimid 7.5mg capsules  
Revolade tablets (ALL)  
Rezolsta 800mg/150mg tablets  
Rifabutin 150mg capsules  
Rifaximin tablets (ALL)  
Rilutek 50mg tablets  
Riluzole 25mg/5ml oral suspension sugar free  
Rinvoq 15mg modified-release tablets  
Riociguat tablets (ALL)  
Risperidone 1mg/ml oral solution sugar free  
Rivastigmine 2mg/ml oral solution  
Rivastigmine 2mg/ml oral solution sugar free  
Roaccutane 20mg capsules  
Rocephin 2g powder for solution for injection vials  
Ropiqua XL 4mg tablets  
Ropinirole 2mg tablets  
Rose water liquid  
Rotigotine transdermal patches (ALL)  
Rybelsus tablets (ALL)

Sabril 500mg oral powder sachets  
Sacubitril/Valsartan tablets (ALL)  
Salbutamol 2mg tablets  
Salbutamol 4mg tablets  
Salbutamol 5mg/5ml solution for infusion ampoules  
Salicylic acid 12% collodion  
Salicylic acid powder  
Saline 0.9% nebuliser liquid 2.5ml Steri-Neb unit dose ampoules  
Salofalk 1g gastro-resistant tablets  
Salofalk 1g/application foam enema  
Salvacyl 11.25mg powder and solvent for suspension for injection vials  
Samsca tablets (ALL)  
Sandimmun 100mg/ml oral solution  
Sandimmun capsules (ALL)  
Scandishake Mix oral powder 85g sachets  
Scopoderm 1.5mg patches  
Selenase 100micrograms/2ml oral solution 2ml unit dose ampoules  
Selenase 500micrograms/10ml oral solution unit dose vials  
Selenase 500micrograms/10ml solution for injection vials  
Selenium 100micrograms/2ml oral solution unit dose ampoules  
Seroquel 100mg tablets  
Seroquel 200mg tablets  
Seroquel 300mg tablets  
Seroquel XL 150mg tablets  
Seroquel XL 300mg tablets  
Seroquel XL 400mg tablets  
Setofilm orodispersible films (ALL)  
Sevelamer 2.4g oral powder sachets sugar free  
Sevelamer 800mg tablets  
Sialanar 320micrograms/ml oral solution  
Sildenafil 10mg/ml oral suspension sugar free  
Sildenafil 20mg tablets  
Silver nitrate powder  
Similac High Energy liquid  
Sirolimus tablets (ALL)  
SMA Alfamino powder  
SMA Althera powder  
SOD Anamix Infant powder  
Sodium bicarbonate 8.4% (1mmol/ml) solution for injection 10ml ampoules

## Zero Discount List

---

Sodium oxybate 500mg/ml oral solution sugar free  
Sodium phenylbutyrate 500mg tablets  
Sodium phenylbutyrate 940mg/g granules sugar free  
Sodium polystyrene sulfonate powder sugar free  
Sodium salicylate powder  
Sodium valproate 100mg modified-release granules sachets sugar free  
Sodium valproate 250mg modified-release granules sachets sugar free  
Sodium valproate 50mg modified-release granules sachets sugar free  
Sodium valproate solution for injection ampoules (ALL)  
Solian 100 tablets  
Solian 100mg/ml oral solution  
Solgar Chelated Magnesium 100mg tablets  
Solgar CoQ-10 100mg capsules  
Solu-Medrone 1g powder and solvent for solution for injection vials  
Sondate XL 200mg tablets  
Souvenaid liquid  
Spiroco XL 8mg tablets  
Squill liquid extract  
Stayveer 125mg tablets  
Stiripentol capsules (ALL)  
Stiripentol oral powder sachets (ALL)  
Strattera capsules (ALL)  
Stribild 150mg/150mg/200mg/245mg tablets  
Strontium ranelate 2g granules sachets sugar free  
Sulfadiazine 500mg tablets  
Sulfinpyrazone 200mg tablets  
Sulfur precipitated powder  
Sulfur sublimed powder  
Sumatriptan 6mg/0.5ml solution for injection pre-filled disposable devices  
Sumatriptan 6mg/0.5ml solution for injection pre-filled pen  
Sumatriptan 6mg/0.5ml solution for injection pre-filled syringes with device  
Sumatriptan 6mg/0.5ml solution for injection syringe refill  
Sumatriptan 20mg/0.1ml nasal spray unit dose  
Supportan drink  
Suprecur 150micrograms/dose nasal spray  
Suprefact 100micrograms/dose nasal spray  
Surgical spirit  
Survimed OPD liquid  
Symtuza 800mg/150mg/200mg/10mg tablets  
Synarel 200micrograms/dose nasal spray  
Syrisal 292.5mg/5ml (1mmol/ml) oral solution

Tacrolimus 1mg modified-release capsules  
Tacrolimus 2mg capsules  
Tacrolimus 3mg modified-release capsules  
Tacrolimus 5mg modified-release capsules  
Tacrolimus 750microgram capsules  
Tacrolimus granules sachets sugar free (ALL)  
Tafinlar capsules (ALL)  
Tapclob 10mg/5ml oral suspension  
Tapclob 5mg/5ml oral suspension  
Targaxan 550mg tablets  
Tartaric acid powder  
Tazocin powder for solution for infusion vials (ALL)  
Tecfidera gastro-resistant capsules (ALL)  
Teglutik 5mg/1ml oral suspension  
Tenofovir 123mg tablets  
Tentrini Energy liquid  
Tentrini Energy Multifibre liquid  
Tentrini liquid

## Zero Discount List

---

Tentrini Multifibre liquid  
Terbutaline 2.5mg/5ml solution for injection ampoules  
Testosterone enantate 250mg/1ml solution for injection ampoules  
Testosterone undecanoate 1g/4ml solution for injection ampoules  
Testosterone undecanoate 1g/4ml solution for injection vials  
Thalidomide Celgene 50mg capsules  
Thamicarb 84mg/1ml oral solution  
Timothy grass pollen allergen extract 75,000 SQ-T oral lyophilisates sugar free  
Tinzaparin sodium 4,500units/0.45ml solution for injection pre-filled syringes  
Tinzaparin sodium 8,000units/0.4ml solution for injection pre-filled syringes  
Tinzaparin sodium 12,000units/0.6ml solution for injection pre-filled syringes  
Tinzaparin sodium 16,000units/0.8ml solution for injection pre-filled syringes  
Tivicay tablets (ALL)  
Tobi Podhaler 28mg inhalation powder capsules with device  
Tobramycin 28mg inhalation powder capsules with device  
Tobramycin 240mg/6ml solution for injection vials  
Tobramycin 300mg/5ml nebuliser liquid ampoules  
Tocofersolan 50mg/ml oral solution sugar free  
Toctino capsules (ALL)  
Tolbutamide 500mg tablets  
Tolvaptan 7.5mg tablets  
Topiramate 50mg capsules  
Topogyne 400microgram tablets  
Tracleer 125mg tablets  
Tranylcypromine 10mg tablets  
Trazodone 50mg/5ml oral solution sugar free  
Triamterene 50mg capsules  
Trientine dihydrochloride 300mg capsules  
Trifluoperazine 1mg/5ml oral solution sugar free  
Trimipramine 50mg capsules  
Trimipramine tablets (ALL)  
Triptorelin 11.25mg powder and solvent for suspension for injection vials  
Triptorelin acetate 3mg powder and solvent for suspension for injection vials  
Triptorelin embonate 22.5mg powder and solvent for suspension for injection vials  
Triumeq 50mg/600mg/300mg tablets  
Truvada 200mg/245mg tablets  
Turpentine oil liquid  
TwoCal Bolus liquid  
TwoCal liquid  
TYR Anamix Infant powder  
TYR Anamix Junior LQ liquid  
TYR Anamix Junior oral powder sachets  
TYR cooler liquid  
TYR express15 oral powder 25g sachets  
TYR express20 oral powder 34g sachets  
TYR gel oral powder 24g sachets  
TYR Lophlex LQ 10 liquid  
TYR Lophlex LQ 20 liquid  
TYR Maxamum powder

Uard 180XL capsules  
Uard 240XL capsules  
UCD amino5 oral powder 6.6g sachets  
Ulipristal 5mg tablets  
Ursodeoxycholic acid 300mg tablets  
Ursofalk 250mg capsules  
Ursofalk 500mg tablets

Valaciclovir 250mg tablets  
Valcyte 450mg tablets

## Zero Discount List

---

Valcyte 50mg/ml oral solution  
Valganciclovir 50mg/ml oral solution sugar free  
Valine50 oral powder 4g sachets  
Valtrex tablets (ALL)  
Vancomycin capsules (ALL)  
Vanquoral 100mg capsules  
Vanquoral 50mg capsules  
Vedrop 50mg/ml oral solution  
Vemlidy 25mg tablets  
Ventolin 5mg/5ml solution for infusion ampoules  
Verkazia 0.1% eye drops 0.3ml unit dose  
VFEND 40mg/ml oral suspension  
VFEND tablets (ALL)  
Vigabatrin 500mg oral powder sachets sugar free  
Vigabatrin soluble tablets sugar free (ALL)  
Vimpat 150mg tablets  
Vimpat 200mg tablets  
Viramune 200mg tablets  
Viread 123mg tablets  
Viread 245mg tablets  
Viread 33mg/g granules  
Viridal Duo Continuation Pack 20microgram powder and solvent for solution for injection cartridges  
Viridal Duo Continuation Pack 40microgram powder and solvent for solution for injection cartridges  
Vital 1.5kcal liquid  
Vitasavoury powder 50g sachets  
Voleze 4.6mg/24hours transdermal patches  
Volibris tablets (ALL)  
Voractiv tablets  
Voriconazole 200mg/5ml oral suspension

Warfarin 1mg/ml oral suspension sugar free (Rosemont Pharmaceuticals Ltd)  
Water for injections 1litre bottles  
Water for injections 500ml bottles  
Wellvone 750mg/5ml oral suspension  
White liniment  
Wilzin 25mg capsules  
Wilzin 50mg capsules

Xagrid 500microgram capsules  
Xeljanz 5mg tablets  
Xeomin 100unit powder for solution for injection vials  
Xeplion suspension for injection pre-filled syringe (ALL)  
Xifaxanta 200mg tablets  
XMET Homidon powder  
XMTVI Asadon powder  
Xonvea 10mg/10mg gastro-resistant tablets  
XPhe jump 10 liquid  
XPHEN TYR Tyrosidon Free AA Mix powder  
Xtandi 40mg capsules  
Xyrem 500mg/ml oral solution

Zalasta 20mg tablets  
Zeffix 100mg tablets  
Zemplar 1microgram capsules  
Zemplar 2microgram capsules  
Ziagen 300mg tablets  
Zinamide 500mg tablets  
Zinc acetate 25mg capsules

## Zero Discount List

---

Zinc acetate 50mg capsules  
Zinc oxide powder  
Zing 220mg capsules  
Zofran 16mg suppositories  
Zofran 4mg/5ml syrup  
Zofran Flexi-amp solution for injection ampoules (ALL)  
Zofran Melt oral lyophilisates (ALL)  
Zofran tablets (ALL)  
Zoladex 3.6mg implant SafeSystem pre-filled syringes  
Zoladex LA 10.8mg implant SafeSystem pre-filled syringes  
Zolmitriptan 5mg tablets  
Zometa 4mg/100ml infusion bottles  
Zometa 4mg/5ml solution for infusion vials  
Zonegran 100mg capsules  
Zonegran 50mg capsules  
Zonisamide 100mg capsules  
Zonisamide 50mg capsules  
Zovirax Double Strength 400mg/5ml oral suspension  
Zyprexa 10mg tablets  
Zyprexa 15mg tablets  
Zyprexa 20mg tablets  
Zyprexa 5mg tablets  
Zyprexa 7.5mg tablets  
Zyprexa Velotabs (ALL)  
Zytiga 500mg tablets  
Zyvox 100mg/5ml granules for oral suspension  
Zyvox 600mg tablets

### **Drugs available only on a named patient basis e.g.**

Dipropan Tablets (Smith and Nephew)  
Oxycodone Suppositories (Crookes)  
Specific Desensitising Vaccines (SDV)

Contractors who have not received a discount in respect of the above products should code the prescription form in the usual way (see also paragraph 18). When no code number exists the prescription form should be coded with the diamond symbol and endorsed "ZD".

In cases where discount has been received the prescription form should be endorsed accordingly and coded with the diamond symbol.

PAGE INTENTIONALLY BLANK

## Part I

## Drugs And Preparations With Tariff Prices

- Special Container
- Item requiring reconstitution
- § Selected List Scheme (SLS)

- I Indicates an amendment
- △ Indicates price increase
- ▽ Indicates price decrease

- Category A Drugs which are readily available.
- Category C Drugs which are not readily available as a generic.
- Category M Drugs which are readily available.

| Drug   | Quantity   | Basic Price | Category                         |
|--|------------|-------------|----------------------------------|
| Abacavir 600mg / Lamivudine 300mg tablets                                | 30         | 19000       | C Lupin Healthcare (UK) Ltd      |
| Abatacept 125mg/1ml solution for injection pre-filled disposable devices | 4          | 120960      | C Orenzia ClickJect              |
| Abatacept 125mg/1ml solution for injection pre-filled syringes           | 4          | 120960      | C Orenzia                        |
| Acacia spray dried powder  | 250 g      | 1632        | C J M Loveridge Ltd              |
| Acamprosate 333mg gastro-resistant tablets                               | 168        | 3825        | A                                |
| Acarbose 100mg tablets   | 90         | 2529        | A                                |
| Acarbose 50mg tablets  | 90         | 1458        | A                                |
| Acebutolol 100mg capsules  | 84         | 1497        | C Sectral                        |
| Acebutolol 200mg capsules  | 56         | 1918        | C Sectral                        |
| Acebutolol 400mg tablets   | 28         | 1862        | C Sectral                        |
| Aceclofenac 100mg tablets  | 60         | 591         | ▽ A                              |
| Acenocoumarol 1mg tablets  | 100        | 462         | C Sinthrome                      |
| Acetazolamide 250mg modified-release capsules                            | 30         | 1666        | C Diamox SR                      |
| Acetazolamide 250mg tablets  | 112        | 663         | M                                |
| Acetic acid 2% ear spray   | ■ 5 ml     | 410         | C EarCalm                        |
| Acetone liquid   | 50 ml      | 129         | △ A                              |
| Acetylcysteine 200mg oral powder sachets sugar free                      | 30         | 11250       | A                                |
| Acetylcysteine 2g/10ml solution for infusion ampoules                    | 10         | 2126        | C Martindale Pharmaceuticals Ltd |
| Acetylcysteine 5% eye drops  | ■ 10 ml    | 3647        | C Ilube                          |
| Acetylcysteine 600mg capsules  | 30         | 5868        | △ A                              |
| Acetylcysteine 600mg effervescent tablets sugar free                     | 30 (2x 15) | 550         | C                                |
| Aciclovir 200mg dispersible tablets                                      | 25         | 182         | A                                |
| Aciclovir 200mg tablets  | 25         | 163         | M                                |

|  |       |      |       |     |                                 |
|--|-------|------|-------|-----|---------------------------------|
| Aciclovir 200mg/5ml oral suspension sugar free   | 125   | ml   | 3578  | A   |                                 |
| Aciclovir 3% eye ointment  | ■ 4.5 | g    | 4500  | C   | Agepha Pharma s.r.o.            |
| Aciclovir 400mg dispersible tablets  | 56    |      | 1199  | A   |                                 |
| Aciclovir 400mg tablets  | 56    |      | 325   | M   |                                 |
| Aciclovir 400mg/5ml oral suspension sugar free   | 100   | ml   | 3949  | A   |                                 |
| Aciclovir 5% cream   | ■ 2   | g    | 135   | A   |                                 |
|  | ■ 10  | g    | 677   | A   |                                 |
| Aciclovir 800mg dispersible tablets  | 35    |      | 1099  | A   |                                 |
| Aciclovir 800mg tablets  | 35    |      | 397   | M   |                                 |
| Acipimox 250mg capsules  | 90    |      | 4633  | C   | Olbetam                         |
| Acitretin 10mg capsules  | 60    |      | 2763  | △ A |                                 |
| Acitretin 25mg capsules  | 60    |      | 4375  | A   |                                 |
| Acidinium bromide 375micrograms/dose dry powder inhaler  | ■ 60  | dose | 3250  | C   | Eklira                          |
| Acidinium bromide 396micrograms/dose / Formoterol 11.8micrograms/dose dry powder inhaler                 | ■ 60  | dose | 3250  | C   | Duaklir Genuair                 |
| Acrivastine 8mg capsules   | 12    |      | 320   | C   | Benadryl Allergy Relief         |
| Activated charcoal 200mg/ml oral suspension sugar free   | ■ 250 | ml   | 1188  | C   | Charcodote                      |
| Activated charcoal 300mg tablets   | 100   |      | 247   | C   | J.L. Bragg's Medicinal Charcoal |
| Adalimumab 20mg/0.2ml solution for injection pre-filled syringes   | 2     |      | 35214 | C   | Humira                          |
| Adalimumab 40mg/0.4ml solution for injection pre-filled disposable devices                               | 2     |      | 70428 | C   | Humira                          |
| Adalimumab 40mg/0.4ml solution for injection pre-filled syringes   | 2     |      | 70428 | C   | Humira                          |
| Adapalene 0.1% / Benzoyl peroxide 2.5% gel   | ■ 45  | g    | 1953  | C   | Epiduo                          |
| Adapalene 0.1% cream   | ■ 45  | g    | 1643  | C   | Differin                        |
| Adapalene 0.1% gel   | ■ 45  | g    | 1643  | C   | Differin                        |
| Adapalene 0.3% / Benzoyl peroxide 2.5% gel   | ■ 45  | g    | 1953  | C   | Epiduo                          |
| Adefovir 10mg tablets  | ■ 30  |      | 25222 | C   | Hepsera                         |
| Adrenaline (base) 100micrograms/1ml (1 in 10,000) dilute solution for injection ampoules                 | 10    |      | 10185 | △ C | Martindale Pharmaceuticals Ltd  |
| Adrenaline (base) 10mg/10ml (1 in 1,000) solution for injection ampoules                                 | 10    |      | 11132 | C   | Martindale Pharmaceuticals Ltd  |
| Adrenaline (base) 150micrograms/0.15ml (1 in 1,000) solution for injection pre-filled disposable devices | ■ 1   |      | 3430  | C   | Jext                            |
| Adrenaline (base) 150micrograms/0.3ml (1 in 2,000) solution for injection pre-filled disposable devices  | ■ 1   |      | 3430  | C   | EpiPen Jr.                      |
|  | 2     |      | 6860  | C   | EpiPen Jr.                      |
| Adrenaline (base) 1mg/1ml (1 in 1,000) solution for injection ampoules                                   | 10    |      | 1034  | A   |                                 |
| Adrenaline (base) 1mg/1ml (1 in 1,000) solution for injection pre-filled syringes                        | ■ 1   |      | 1347  | A   |                                 |
| Adrenaline (base) 300micrograms/0.3ml (1 in 1,000) solution for injection pre-filled disposable devices  | ■ 1   |      | 3430  | C   |                                 |
| Adrenaline (base) 500micrograms/0.5ml (1 in 1,000) solution for injection ampoules                       | 10    |      | 9772  | △ A |                                 |
| Adrenaline (base) 500micrograms/0.5ml (1 in 1,000) solution for injection pre-filled disposable devices  | ■ 1   |      | 2699  | C   | Emerade                         |
| Adrenaline (base) 500micrograms/5ml (1 in 10,000) dilute solution for injection ampoules                 | 10    |      | 10850 | △ C | Martindale Pharmaceuticals Ltd  |
| Adrenaline (base) 5mg/5ml (1 in 1,000) solution for injection ampoules                                   | 10    |      | 12484 | △ C | Martindale Pharmaceuticals Ltd  |
| Agomelatine 25mg tablets   | 28    |      | 2184  | ▽ A |                                 |
| Alclometasone 0.05% cream  | ■ 50  | g    | 1664  | ▽ A |                                 |
| Alendronic acid 10mg tablets   | 28    |      | 648   | M   |                                 |
| Alendronic acid 70mg / Colecalciferol 140microgram tablets   | ■ 4   |      | 425   | C   | Bentexo                         |
| Alendronic acid 70mg / Colecalciferol 70microgram tablets  | ■ 4   |      | 2280  | C   | Fosavance                       |
| Alendronic acid 70mg effervescent tablets sugar free   | ■ 4   |      | 1160  | C   | Binosto                         |
| Alendronic acid 70mg tablets   | ■ 4   |      | 90    | M   |                                 |
| Alendronic acid 70mg/100ml oral solution unit dose sugar free  | 4     |      | 2858  | A   |                                 |
| Alfacalcidol 1microgram capsules   | ■ 30  |      | 441   | M   |                                 |
| Alfacalcidol 1micrograms/0.5ml solution for injection ampoules   | 10    |      | 2157  | C   | One-Alpha                       |
| Alfacalcidol 250nanogram capsules  | ■ 30  |      | 493   | A   |                                 |



|   |     |    |       |   |                                  |
|---|-----|----|-------|---|----------------------------------|
| Alfacalcidol 2micrograms/1ml solution for injection ampoules  | 10  |    | 4113  | C | One-Alpha                        |
| Alfacalcidol 2micrograms/ml oral drops sugar free   | 10  | ml | 2130  | C | One-Alpha                        |
| Alfacalcidol 500nanogram capsules   | 30  |    | 990   | A |                                  |
| Alfentanil 1mg/2ml solution for injection ampoules  | 10  |    | 634   | C | Rapifen                          |
| Alfentanil 5mg/10ml solution for injection ampoules   | 5   |    | 1600  | C | Rapifen                          |
|   | 10  |    | 2980  | C | hameln pharma Ltd                |
| Alfentanil 5mg/1ml solution for injection ampoules  | 10  |    | 2319  | C | Rapifen Intensive Care           |
| Alfuzosin 10mg modified-release tablets   | 30  |    | 1251  | C |                                  |
| Alfuzosin 2.5mg tablets   | 60  |    | 159   | M |                                  |
| Alginate raft-forming oral suspension sugar free  | 150 | ml | 258   | C | Gaviscon Original Aniseed Relief |
|   | 300 | ml | 433   | C | Gaviscon Original Aniseed Relief |
|   | 500 | ml | 195   | C | Peptac liquid                    |
|   | 600 | ml | 711   | C | Gaviscon Original Aniseed Relief |
| Alimemazine 10mg tablets  | 28  |    | 11288 | A |                                  |
| Alimemazine 30mg/5ml oral solution  | 100 | ml | 24351 | A |                                  |
| Alimemazine 7.5mg/5ml oral solution   | 100 | ml | 17958 | A |                                  |
| Alirocumab 150mg/1ml solution for injection pre-filled disposable devices                           | 2   |    | 33600 | C | Praluent                         |
| Alirocumab 75mg/1ml solution for injection pre-filled disposable devices                            | 2   |    | 33600 | C | Praluent                         |
| Aliskiren 150mg tablets   | 28  |    | 2851  | C | Rasilez                          |
| Aliskiren 300mg tablets   | 28  |    | 3427  | C | Rasilez                          |
| Alitretinoin 10mg capsules  | 30  |    | 49372 | C | Toctino                          |
| Alitretinoin 30mg capsules  | 30  |    | 49372 | C | Toctino                          |
| Allantoin 0.5% / Lidocaine 0.5% ointment  | 25  | g  | 303   | C | Anodesyn                         |
| Allantoin 10.25mg / Lidocaine 10.25mg suppositories   | 12  |    | 311   | C | Anodesyn                         |
| Allopurinol 100mg tablets   | 28  |    | 106   | M |                                  |
| Allopurinol 300mg tablets   | 28  |    | 154   | M |                                  |
| Almotriptan 12.5mg tablets  | 3   |    | 814   | ▽ | A                                |
|   | 6   |    | 1628  | ▽ | A                                |
|   | 9   |    | 2442  | ▽ | A                                |
| Alogliptin 12.5mg / Metformin 1g tablets  | 56  |    | 2660  | C | Vipdomet                         |
| Alogliptin 12.5mg tablets   | 28  |    | 2660  | C | Vipidia                          |
| Alogliptin 25mg tablets   | 28  |    | 2660  | C | Vipidia                          |
| Alogliptin 6.25mg tablets   | 28  |    | 2660  | C | Vipidia                          |
| Alpha tocopheryl acetate 500mg/5ml oral suspension  | 100 | ml | 6967  | C | Alliance Pharmaceuticals Ltd     |
| Alprostadil 10microgram powder and solvent for solution for injection cartridges                    | 2   |    | 1655  | C | Viridal Duo Continuation Pack    |
| Alprostadil 10microgram powder and solvent for solution for injection cartridges with device        | 2   |    | 2013  | C | Viridal Duo Starter Pack         |
| Alprostadil 10microgram powder and solvent for solution for injection pre-filled disposable devices | 2   |    | 1470  | C | Caverject Dual Chamber           |
| Alprostadil 10microgram powder and solvent for solution for injection vials                         | 1   |    | 924   | C | Caverject                        |
| Alprostadil 1mg urethral sticks   | 1   |    | 1156  | C | Muse                             |
| Alprostadil 20microgram powder and solvent for solution for injection cartridges                    | 2   |    | 2139  | C | Viridal Duo Continuation Pack    |
| Alprostadil 20microgram powder and solvent for solution for injection cartridges with device        | 2   |    | 2454  | C | Viridal Duo Starter Pack         |
| Alprostadil 20microgram powder and solvent for solution for injection pre-filled disposable devices | 2   |    | 1900  | C | Caverject Dual Chamber           |
| Alprostadil 20microgram powder and solvent for solution for injection vials                         | 1   |    | 1194  | C | Caverject                        |
| Alprostadil 3mg/g cream   | 4   |    | 4000  | C | Vitaros                          |
| Alprostadil 40microgram powder and solvent for solution for injection cartridges                    | 2   |    | 2722  | C | Viridal Duo Continuation Pack    |
| Alprostadil 40microgram powder and solvent for solution for injection cartridges with device        | 2   |    | 2983  | C | Viridal Duo Starter Pack         |
| Alprostadil 40microgram powder and solvent for solution for injection vials                         | 1   |    | 2158  | C | Caverject                        |
| Alprostadil 500microgram urethral sticks  | 1   |    | 1130  | C | Muse                             |
| Alum powder   | 500 | g  | 672   | C | J M Loveridge Ltd                |
| Aluminium chloride 20% solution   | 20  | ml | 395   | C | Driclor                          |
|   | 60  | ml | 251   | C | Anhydrol Forte                   |
| Aluminium chloride 20% spray  | 30  | ml | 733   | C | Odaban                           |
| Alverine 120mg capsules   | 60  |    | 642   | M |                                  |
| Alverine 60mg / Simeicone 300mg capsules  | 90  |    | 1100  | C | SimAlvia                         |
| Alverine 60mg capsules  | 100 |    | 615   | M |                                  |

|   |     |     |        |       |                               |                   |
|---|-----|-----|--------|-------|-------------------------------|-------------------|
| Amantadine 100mg capsules   | 56  |     | 2260   | M     |                               |                   |
| Amantadine 50mg/5ml oral solution sugar free                              | 150 | ml  | 14000  | C     | Northumbria Pharma Ltd        |                   |
| Ambrisentan 10mg tablets  | 30  |     | 161808 | C     |                               |                   |
| Ambrisentan 5mg tablets   | 30  |     | 161808 | C     |                               |                   |
| Amiloride 5mg / Bumetanide 1mg tablets                                    | 28  |     | 5600   | A     |                               |                   |
| Amiloride 5mg tablets   | 28  |     | 3036   | M     |                               |                   |
| Amiloride 5mg/5ml oral solution sugar free                                | 150 | ml  | 4645   | A     |                               |                   |
| Aminophylline 250mg/10ml solution for injection ampoules                  | 10  |     | 1078   | C     | hameln pharma Ltd             |                   |
| Aminosalicic acid gastro-resistant granules 4g sachets sugar free         | 30  |     | 33100  | C     | Granupas                      |                   |
| Amiodarone 100mg tablets  | 28  |     | 189    | ▽     | A                             |                   |
| Amiodarone 200mg tablets  | 28  |     | 227    | M     |                               |                   |
| Amiodarone 300mg/10ml solution for injection pre-filled syringes          | ■   | 1   | 1618   | △     | A                             |                   |
| Amisulpride 100mg tablets   | 60  |     | 540    | M     |                               |                   |
| Amisulpride 100mg/ml oral solution sugar free                             | ■   | 60  | ml     | 10473 | △                             | A                 |
| Amisulpride 200mg tablets   | 60  |     | 797    | M     |                               |                   |
| Amisulpride 400mg tablets   | 60  |     | 4208   | A     |                               |                   |
| Amisulpride 50mg tablets  | 60  |     | 298    | M     |                               |                   |
| Amitriptyline 10mg tablets  | 28  |     | 97     | M     |                               |                   |
| Amitriptyline 10mg/5ml oral solution sugar free                           | 150 | ml  | 13647  | A     |                               |                   |
| Amitriptyline 25mg tablets  | 28  |     | 98     | M     |                               |                   |
| Amitriptyline 25mg/5ml oral solution sugar free                           | 150 | ml  | 1800   | A     |                               |                   |
| Amitriptyline 50mg tablets  | 28  |     | 155    | M     |                               |                   |
| Amitriptyline 50mg/5ml oral solution sugar free                           | 150 | ml  | 1920   | A     |                               |                   |
| Amlodipine 10mg / Valsartan 160mg tablets                                 | 28  |     | 2651   | C     | Exforge                       |                   |
| Amlodipine 10mg tablets   | 28  |     | 97     | M     |                               |                   |
| Amlodipine 10mg/5ml oral solution sugar free                              | 150 | ml  | 11573  | A     |                               |                   |
| Amlodipine 2.5mg tablets  | 28  |     | 741    | △     | A                             |                   |
| Amlodipine 5mg / Valsartan 160mg tablets                                  | 28  |     | 2651   | C     | Exforge                       |                   |
| Amlodipine 5mg / Valsartan 80mg tablets                                   | 28  |     | 2011   | C     | Exforge                       |                   |
| Amlodipine 5mg tablets  | 28  |     | 94     | M     |                               |                   |
| Amlodipine 5mg/5ml oral solution sugar free                               | 150 | ml  | 7578   | A     |                               |                   |
| Amlodipine 5mg/5ml oral suspension sugar free                             | 150 | ml  | 7000   | C     | Essential Pharmaceuticals Ltd |                   |
| Ammonium bicarbonate powder   | 500 | g   | 458    | C     | J M Loveridge Ltd             |                   |
| Amorolfine 5% medicated nail lacquer                                      | ■   | 5   | ml     | 689   | M                             |                   |
| Amoxicillin 125mg/5ml oral suspension                                     | ●   | 100 | ml     | 154   | M                             |                   |
| Amoxicillin 125mg/5ml oral suspension sugar free                          | ●   | 100 | ml     | 179   | M                             |                   |
| Amoxicillin 1g dispersible tablets sugar free                             | 6   |     | 480    | C     | Almus Pharmaceuticals Ltd     |                   |
| Amoxicillin 1g powder for solution for injection vials                    | ■   | 1   | 192    | C     | Wockhardt UK Ltd              |                   |
| Amoxicillin 250mg capsules  | 15  |     | 103    | M     |                               |                   |
|   | 21  |     | 144    | M     |                               |                   |
| Amoxicillin 250mg/5ml oral suspension                                     | ●   | 100 | ml     | 168   | M                             |                   |
| Amoxicillin 250mg/5ml oral suspension sugar free                          | ●   | 100 | ml     | 144   | M                             |                   |
| Amoxicillin 3g oral powder sachets sugar free                             | 2   |     | 1082   | ▽     | A                             |                   |
| Amoxicillin 500mg capsules  | 15  |     | 105    | M     |                               |                   |
|   | 21  |     | 147    | M     |                               |                   |
| Amoxicillin 500mg powder for solution for injection vials                 | 10  |     | 960    | C     | Wockhardt UK Ltd              |                   |
| Amphotericin B 50mg powder for solution for infusion vials                | ■   | 1   | 1621   | C     | Fungizone                     |                   |
| Ampicillin 125mg/5ml oral suspension                                      | ●   | 100 | ml     | 2986  | A                             |                   |
| Ampicillin 250mg capsules   | 28  |     | 2431   | A     |                               |                   |
| Ampicillin 500mg capsules   | 28  |     | 4724   | A     |                               |                   |
| Ampicillin 500mg powder for solution for injection vials                  | 10  |     | 7830   | A     |                               |                   |
| Anagrelide 500microgram capsules  | 100 |     | 40457  | A     |                               |                   |
| Anakinra 100mg/0.67ml solution for injection pre-filled syringes          | 7   |     | 18361  | C     | Kineret                       |                   |
| Anastrozole 1mg tablets   | 28  |     | 164    | M     |                               |                   |
| Anidulafungin 100mg powder for solution for infusion vials                | ■   | 1   | 29998  | A     |                               |                   |
| Antazoline 0.5% / Xylometazoline 0.05% eye drops                          | ■   | 10  | ml     | 335   | C                             | Otrivine-Antistin |
| Apixaban 2.5mg tablets  | 60  |     | 5700   | C     | Eliquis                       |                   |
| Apixaban 5mg tablets  | 56  |     | 5320   | C     | Eliquis                       |                   |
| Apomorphine 100mg/20ml solution for infusion vials                        | 5   |     | 14500  | C     | Dacepton                      |                   |
| Apomorphine 30mg/3ml solution for injection cartridges                    | 5   |     | 12300  | C     | Dacepton                      |                   |
| Apomorphine 30mg/3ml solution for injection pre-filled disposable devices | 5   |     | 12391  | C     | APO-go PEN                    |                   |

|  |                      |    |       |   |                                  |
|--|----------------------|----|-------|---|----------------------------------|
| Apomorphine 50mg/10ml solution for infusion pre-filled syringes                        | 5                    |    | 7311  | C | APO-go                           |
| Apomorphine 50mg/5ml solution for injection ampoules                                   | 5                    |    | 7311  | C | APO-go                           |
| Apraclonidine 1% eye drops 0.25ml unit dose preservative free                          | 24<br>(12x<br>■ 2)   |    | 7785  | C | lopidine                         |
| Apraclonidine 5mg/ml eye drops   | ■ 5                  | ml | 1088  | C | lopidine                         |
| Apremilast 30mg tablets  | 56                   |    | 55000 | C | Otezla                           |
| Aprepitant 125mg capsules  | 5                    |    | 7903  | C |                                  |
| Aprepitant 125mg capsules and Aprepitant 80mg capsules                                 | ■ 3                  |    | 4771  | C | Accord Healthcare Ltd            |
| Aprepitant 80mg capsules   | 2                    |    | 3161  | C |                                  |
| Aqueous calamine cream   | ■ 100                | g  | 143   | C | Thornton & Ross Ltd              |
| Aqueous cream  | ■ 100                | g  | 88    | M |                                  |
|  | 500                  | g  | 440   | M |                                  |
| Arachis oil 130ml enema  | ■ 1                  |    | 4750  | A |                                  |
| Arachis oil liquid   | 200                  | ml | 320   | C | J M Loveridge Ltd                |
| Aripiprazole 10mg orodispersible tablets sugar free                                    | 28                   |    | 3756  | ▽ | A                                |
| Aripiprazole 10mg tablets  | 28                   |    | 137   | M |                                  |
| Aripiprazole 15mg orodispersible tablets sugar free                                    | 28                   |    | 3430  | ▽ | A                                |
| Aripiprazole 15mg tablets  | 28                   |    | 148   | M |                                  |
| Aripiprazole 1mg/ml oral solution  | 150                  | ml | 9961  | ▽ | A                                |
| Aripiprazole 30mg tablets  | 28                   |    | 1337  | ▽ | A                                |
| Aripiprazole 400mg powder and solvent for suspension for injection pre-filled syringes | ■ 1                  |    | 22041 | C | Abilify Maintena                 |
| Aripiprazole 400mg powder and solvent for suspension for injection vials               | ■ 1                  |    | 22041 | C | Abilify Maintena                 |
| Aripiprazole 5mg tablets   | 28                   |    | 126   | M |                                  |
| Arnica montana gel   | ■ 50                 | ml | 400   | C | Atrogel Arnica                   |
|  | ■ 100                | ml | 662   | C | Atrogel Arnica                   |
| Artificial saliva lozenges   | 30                   |    | 304   | C | AS Saliva Orthana                |
| Ascorbic acid 100mg tablets  | 28                   |    | 1430  | A |                                  |
| Ascorbic acid 200mg tablets  | 28                   |    | 1988  | A |                                  |
| Ascorbic acid 500mg tablets  | 28                   |    | 2689  | A |                                  |
| Ascorbic acid 50mg tablets   | 28                   |    | 1508  | A |                                  |
| Ascorbic acid powder   | ■ 100                | g  | 597   | C | J M Loveridge Ltd                |
| Asenapine 10mg sublingual tablets sugar free   | 60<br>(6x<br>■ 10)   |    | 10260 | C | Sycrest                          |
| Asenapine 5mg sublingual tablets sugar free  | 60<br>(6x<br>■ 10)   |    | 10260 | C | Sycrest                          |
| Aspirin 150mg suppositories  | 10                   |    | 2373  | △ | C Martindale Pharmaceuticals Ltd |
| Aspirin 300mg dispersible tablets  | 32                   |    | 127   | M |                                  |
|  | 100                  |    | 397   | M |                                  |
| Aspirin 300mg gastro-resistant tablets   | 100                  |    | 2529  | A |                                  |
| Aspirin 300mg suppositories  | 10                   |    | 4353  | △ | A                                |
| Aspirin 300mg tablets  | 32                   |    | 366   | A |                                  |
|  | 100                  |    | 1143  | △ | A                                |
| Aspirin 325mg / Caffeine 15mg tablets  | 12                   |    | 81    | C | Anadin Original                  |
|  | 16                   |    | 104   | C | Anadin Original                  |
| Aspirin 75mg dispersible tablets   | 28                   |    | 118   | M |                                  |
|  | 100                  |    | 421   | M |                                  |
| Aspirin 75mg gastro-resistant tablets  | 28                   |    | 118   | M |                                  |
| Aspirin 75mg tablets   | 28                   |    | 103   | M |                                  |
| Aspirin 900mg / Metoclopramide 10mg oral powder sachets sugar free                     | 6                    |    | 661   | C | Migramax                         |
| Aspirin powder   | ■ 250                | g  | 999   | C | J M Loveridge Ltd                |
| Atenolol 100mg tablets   | 28                   |    | 89    | M |                                  |
| Atenolol 25mg tablets  | 28                   |    | 77    | M |                                  |
| Atenolol 25mg/5ml oral solution sugar free   | 300                  | ml | 688   | A |                                  |
| Atenolol 50mg / Nifedipine 20mg modified-release capsules                              | 28                   |    | 1530  | C | Tenif                            |
| Atenolol 50mg tablets  | 28                   |    | 80    | M |                                  |
| Atomoxetine 100mg capsules   | 28                   |    | 5096  | ▽ | A                                |
| Atomoxetine 10mg capsules  | 28                   |    | 3420  | ▽ | A                                |
| Atomoxetine 18mg capsules  | 28                   |    | 3414  | ▽ | A                                |
| Atomoxetine 25mg capsules  | 28                   |    | 3439  | ▽ | A                                |
| Atomoxetine 40mg capsules  | 28                   |    | 3824  | ▽ | A                                |
| Atomoxetine 4mg/ml oral solution sugar free  | 300<br>(3x<br>■ 100) | ml | 8500  | C | Strattera                        |

|   |    |      |      |        |   |                         |
|---|----|------|------|--------|---|-------------------------|
| Atomoxetine 60mg capsules   | 28 |      | 3812 | ▽      | A |                         |
| Atomoxetine 80mg capsules   | 28 |      | 5090 | ▽      | A |                         |
| Atorvastatin 10mg chewable tablets sugar free                                     | 30 |      | 1380 |        | C | Lipitor                 |
| Atorvastatin 10mg tablets   | 28 |      | 90   |        | M |                         |
| Atorvastatin 20mg chewable tablets sugar free                                     | 30 |      | 2640 |        | C | Lipitor                 |
| Atorvastatin 20mg tablets   | 28 |      | 124  |        | M |                         |
| Atorvastatin 30mg tablets   | 28 |      | 2451 |        | A |                         |
| Atorvastatin 40mg tablets   | 28 |      | 132  |        | M |                         |
| Atorvastatin 60mg tablets   | 28 |      | 2801 |        | A |                         |
| Atorvastatin 80mg tablets   | 28 |      | 183  |        | M |                         |
| Atovaquone 750mg/5ml oral suspension sugar free                                   | ■  | 226  | ml   | 48637  | C | Wellvone                |
| Atropine 1% eye drops   | ■  | 10   | ml   | 14387  | △ | A                       |
| Atropine 1% eye drops 0.5ml unit dose preservative free                           |    | 20   |      | 1510   | C | Minims                  |
| Atropine 1mg/1ml solution for injection ampoules                                  |    | 10   |      | 12056  | △ | A                       |
| Atropine 3mg/10ml solution for injection pre-filled syringes                      | ■  | 1    |      | 1300   | C | Aguettant Ltd           |
| Atropine 600micrograms/1ml solution for injection ampoules                        |    | 10   |      | 1171   | A |                         |
| Avanafil 100mg tablets  |    | 4    |      | 1408   | C | Spedra                  |
|   |    | 8    |      | 2626   | C | Spedra                  |
| Avanafil 200mg tablets  |    | 4    |      | 2190   | C | Spedra                  |
|   |    | 8    |      | 3940   | C | Spedra                  |
| Avanafil 50mg tablets   |    | 4    |      | 1094   | C | Spedra                  |
|   |    | 8    |      | 1970   | C | Spedra                  |
| Azathioprine 25mg tablets   |    | 28   |      | 199    | M |                         |
| Azathioprine 50mg powder for solution for injection vials                         | ■  | 1    |      | 1538   | C | Imuran                  |
| Azathioprine 50mg tablets   |    | 56   |      | 252    | M |                         |
| Azelaic acid 15% gel  | ■  | 30   | g    | 748    | C | Finacea                 |
| Azelaic acid 20% cream  | ■  | 30   | g    | 449    | C | Skinoren                |
| Azelastine 0.05% eye drops  | ■  | 8    | ml   | 640    | C | Optilast                |
| Azelastine 140micrograms/dose nasal spray   | ■  | 22   | ml   | 1050   | C | Rhinolast               |
| Azilsartan medoxomil 20mg tablets   |    | 28   |      | 1680   | C | Edarbi                  |
| Azilsartan medoxomil 40mg tablets   |    | 28   |      | 1680   | C | Edarbi                  |
| Azilsartan medoxomil 80mg tablets   |    | 28   |      | 1995   | C | Edarbi                  |
| Azithromycin 15mg/g eye drops 0.25g unit dose preservative free                   |    | 6    |      | 699    | C | Azyter                  |
| Azithromycin 200mg/5ml oral suspension  | ●  | 15   | ml   | 406    | C | Zithromax               |
|   | ●  | 22.5 | ml   | 610    | C | Zithromax               |
|   | ●  | 30   | ml   | 1104   | C | Zithromax               |
| Azithromycin 250mg capsules   |    | 6    |      | 194    | M |                         |
| Azithromycin 250mg tablets  |    | 4    |      | 124    | M |                         |
| Azithromycin 500mg tablets  |    | 3    |      | 133    | M |                         |
| Aztreonam 75mg powder and solvent for nebuliser solution vials with device        | ■  | 84   |      | 218153 | C | Cayston                 |
| Baclofen 10mg tablets   |    | 84   |      | 181    | M |                         |
| Baclofen 10mg/20ml solution for infusion ampoules                                 | ■  | 1    |      | 7001   | C | Lioresal Intrathecal    |
| Baclofen 10mg/5ml oral solution sugar free  |    | 150  | ml   | 1072   | C | Thame Laboratories Ltd  |
| Baclofen 10mg/5ml solution for infusion ampoules                                  | ■  | 1    |      | 7001   | C | Lioresal Intrathecal    |
| Baclofen 50micrograms/1ml solution for injection ampoules                         | ■  | 1    |      | 316    | C | Lioresal Intrathecal    |
| Baclofen 5mg/5ml oral solution sugar free   |    | 300  | ml   | 240    | M |                         |
| Balsalazide 750mg capsules  |    | 130  |      | 3042   | C | Colazide                |
| Bambuterol 10mg tablets   |    | 30   |      | 3099   | C | Bambec                  |
| Baricitinib 2mg tablets   |    | 28   |      | 80556  | C | Olumiant                |
| Baricitinib 4mg tablets   |    | 28   |      | 80556  | C | Olumiant                |
| Beclometasone 0.025% cream  | ■  | 30   | g    | 6800   | A |                         |
| Beclometasone 0.025% ointment   | ■  | 30   | g    | 6800   | A |                         |
| Beclometasone 100micrograms/dose / Formoterol 6micrograms/dose dry powder inhaler | ■  | 120  | dose | 2932   | C | Fostair NEXThaler       |
| Beclometasone 100micrograms/dose / Formoterol 6micrograms/dose inhaler CFC free   | ■  | 120  | dose | 2932   | C | Fostair                 |
| Beclometasone 100micrograms/dose breath actuated inhaler CFC free                 | ■  | 200  | dose | 1721   | C | Qvar Autohaler          |
| Beclometasone 100micrograms/dose inhaler CFC free                                 | ■  | 200  | dose | 742    | C | Clenil Modulite         |
| Beclometasone 200micrograms/dose / Formoterol 6micrograms/dose dry powder inhaler | ■  | 120  | dose | 2932   | C | Fostair NEXThaler       |
| Beclometasone 200micrograms/dose / Formoterol 6micrograms/dose inhaler CFC free   | ■  | 120  | dose | 2932   | C | Fostair                 |
| Beclometasone 200micrograms/dose dry powder inhaler                               | ■  | 200  | dose | 1493   | C | Easyhaler Beclometasone |

|  |   |     |      |       |   |                       |
|--|---|-----|------|-------|---|-----------------------|
| Beclometasone 200micrograms/dose inhaler CFC free                      | ■ | 200 | dose | 1617  | C | Clenil Modulite       |
| Beclometasone 250micrograms/dose inhaler CFC free                      | ■ | 200 | dose | 1629  | C | Clenil Modulite       |
| Beclometasone 50micrograms/dose breath actuated inhaler CFC free       | ■ | 200 | dose | 787   | C | Qvar Autohaler        |
| Beclometasone 50micrograms/dose inhaler CFC free                       | ■ | 200 | dose | 370   | C | Clenil Modulite       |
| Beclometasone 50micrograms/dose nasal spray                            | ■ | 200 | dose | 330   | M |                       |
| Beclometasone 5mg gastro-resistant modified-release tablets            |   | 30  |      | 5656  | C | Clipper               |
| Beeswax white solid  |   | 500 | g    | 882   | C | J M Loveridge Ltd     |
| Belladonna medicated plaster 28cm x 17.5cm                             | ■ | 1   |      | 296   | A |                       |
| Belladonna medicated plaster 9.5cm x 12.5cm                            |   | 2   |      | 251   | A |                       |
| Bempeoic acid 180mg tablets  |   | 28  |      | 5544  | C | Nilemdo               |
| Bendroflumethiazide 2.5mg tablets                                      |   | 28  |      | 83    | M |                       |
| Bendroflumethiazide 5mg tablets  |   | 28  |      | 125   | M |                       |
| Benperidol 250microgram tablets  |   | 112 |      | 20032 | C | Anquil                |
| Benzalkonium chloride 0.5% shampoo                                     | ■ | 250 | ml   | 569   | C | Dermax Therapeutic    |
| Benzocaine 1.5mg/dose oromucosal spray sugar free                      | ■ | 60  | dose | 283   | C | AAA                   |
| Benzocaine 10% dental gel sugar free                                   | ■ | 5.3 | g    | 274   | C |                       |
| Benzocaine 1mg/dose oromucosal spray sugar free                        | ■ | 15  | ml   | 321   | C |                       |
| Benzocaine 20% dental gel sugar free                                   | ■ | 5.3 | g    | 298   | C | Orajel Extra Strength |
| Benzoin compound tincture  |   | 500 | ml   | 1576  | C | J M Loveridge Ltd     |
| Benzoin tincture   |   | 500 | ml   | 1055  | C | J M Loveridge Ltd     |
| Benzoyl peroxide 3% / Clindamycin 1% gel                               | ■ | 30  | g    | 1314  | C | Duac Once Daily       |
| Benzoyl peroxide 5% / Clindamycin 1% gel                               | ■ | 30  | g    | 1314  | C | Duac Once Daily       |
|  | ■ | 60  | g    | 2628  | C | Duac Once Daily       |
| Benzoyl peroxide 5% gel  | ■ | 30  | g    | 544   | C | Acnecide              |
|  | ■ | 60  | g    | 1068  | C | Acnecide              |
| Benzydamine 0.15% mouthwash sugar free                                 | ■ | 300 | ml   | 740   | M |                       |
| Benzydamine 0.15% oromucosal spray sugar free                          | ■ | 30  | ml   | 218   | M |                       |
| Benzydamine 3% cream   | ■ | 35  | g    | 263   | C | Difflam               |
|  | ■ | 100 | g    | 684   | C | Difflam               |
| Benzyl benzoate crystals   |   | 500 | g    | 1651  | C | J M Loveridge Ltd     |
| Benzylpenicillin 1.2g powder for solution for injection vials          |   | 25  |      | 10950 | A |                       |
| Benzylpenicillin 600mg powder for solution for injection vials         |   | 2   |      | 602   | A |                       |
| Betahistine 16mg tablets   |   | 84  |      | 272   | M |                       |
| Betahistine 8mg tablets  |   | 84  |      | 186   | M |                       |
| Betaine oral powder  | ■ | 180 | g    | 34700 | C | Cystadane             |
| Betamethasone 0.1% / Neomycin 0.5% ear/eye/nose drops                  | ■ | 10  | ml   | 239   | C | Betnesol-N            |
| Betamethasone 0.1% ear/eye/nose drops                                  | ■ | 10  | ml   | 232   | C | Betnesol              |
| Betamethasone 0.1% foam  | ■ | 100 | g    | 975   | C | Bettamousse           |
| Betamethasone 4mg/1ml solution for injection ampoules                  |   | 5   |      | 4787  | △ | A                     |
| Betamethasone 500microgram soluble tablets sugar free                  |   | 100 |      | 5815  | A |                       |
| Betamethasone dipropionate 0.05% / Salicylic acid 2% scalp application | ■ | 100 | ml   | 1010  | C | Diprosalic            |
| Betamethasone dipropionate 0.05% / Salicylic acid 3% ointment          | ■ | 30  | g    | 318   | C | Diprosalic            |
|  | ■ | 100 | g    | 914   | C | Diprosalic            |
| Betamethasone dipropionate 0.05% cream                                 | ■ | 30  | g    | 216   | C | Diprosone             |
|  | ■ | 100 | g    | 612   | C | Diprosone             |
| Betamethasone dipropionate 0.05% ointment                              | ■ | 30  | g    | 216   | C | Diprosone             |
|  | ■ | 100 | g    | 612   | C | Diprosone             |
| Betamethasone dipropionate 0.05% scalp lotion                          | ■ | 100 | ml   | 780   | C | Diprosone             |
| Betamethasone dipropionate 0.064% / Clotrimazole 1% cream              | ■ | 30  | g    | 634   | C | Lotriderm             |
| Betamethasone valerate 0.025% cream                                    | ■ | 100 | g    | 315   | C | Betnovate-RD          |
| Betamethasone valerate 0.025% ointment                                 | ■ | 100 | g    | 315   | C | Betnovate-RD          |
| Betamethasone valerate 0.1% / Clioquinol 3% cream                      | ■ | 30  | g    | 3888  | A |                       |
| Betamethasone valerate 0.1% / Clioquinol 3% ointment                   | ■ | 30  | g    | 3888  | A |                       |
| Betamethasone valerate 0.1% / Fusidic acid 2% cream                    | ■ | 30  | g    | 638   | C | Fucibet               |
|  | ■ | 60  | g    | 1276  | C | Fucibet               |
| Betamethasone valerate 0.1% / Neomycin 0.5% cream                      | ■ | 30  | g    | 3136  | A |                       |
|  | ■ | 100 | g    | 10452 | A |                       |
| Betamethasone valerate 0.1% / Neomycin 0.5% ointment                   | ■ | 30  | g    | 3136  | A |                       |
|  | ■ | 100 | g    | 10452 | A |                       |
| Betamethasone valerate 0.1% cream                                      | ■ | 30  | g    | 146   | ▽ | A                     |
|  | ■ | 100 | g    | 485   | ▽ | A                     |
| Betamethasone valerate 0.1% lotion                                     | ■ | 100 | ml   | 458   | C | Betnovate             |
| Betamethasone valerate 0.1% ointment                                   | ■ | 30  | g    | 197   | M |                       |
|  | ■ | 100 | g    | 657   | M |                       |

|   |   |     |      |       |   |                                |
|---|---|-----|------|-------|---|--------------------------------|
| Betamethasone valerate 0.1% scalp application   | ■ | 100 | ml   | 375   | C | Betacap                        |
| Betamethasone valerate 2.25mg medicated plasters  |   | 4   |      | 1398  | C | Betasil                        |
| Betaxolol 0.25% eye drops   | ■ | 5   | ml   | 266   | C | Betoptic Susp                  |
| Betaxolol 0.25% eye drops 0.25ml unit dose preservative free                              |   | 50  |      | 1377  | C | Betoptic                       |
| Betaxolol 0.5% eye drops  | ■ | 5   | ml   | 190   | C | Betoptic                       |
| Bethanechol chloride 10mg tablets   |   | 100 |      | 1851  | C | Myotonine                      |
| Bethanechol chloride 25mg tablets   |   | 100 |      | 2726  | C | Myotonine                      |
| Bezafibrate 200mg tablets   |   | 100 |      | 863   | C | Bezalip                        |
| Bezafibrate 400mg modified-release tablets  |   | 30  |      | 763   | C | Bezalip-Mono                   |
| Bicalutamide 150mg tablets  |   | 28  |      | 517   | M |                                |
| Bicalutamide 50mg tablets   |   | 28  |      | 309   | M |                                |
| Bifonazole 1% cream   | ■ | 20  | g    | 323   | C | Canesten Bifonazole Once Daily |
| Bilastine 10mg orodispersible tablets sugar free  |   | 30  |      | 500   | C | Ilaxten                        |
| Bilastine 2.5mg/ml oral solution sugar free   |   | 120 | ml   | 500   | C | Ilaxten                        |
| Bilastine 20mg tablets  |   | 30  |      | 600   | C | Ilaxten                        |
| Bimatoprost 100micrograms/ml eye drops  | ■ | 3   | ml   | 534   | M |                                |
| Bimatoprost 300micrograms/ml / Timolol 5mg/ml eye drops                                   | ■ | 3   | ml   | 1416  | C | Ganfort                        |
| Bimatoprost 300micrograms/ml / Timolol 5mg/ml eye drops 0.4ml unit dose preservative free |   | 30  |      | 1794  | C | Ganfort                        |
|   |   | (6x |      |       |   |                                |
|   | ■ | 5)  |      |       |   |                                |
| Bimatoprost 300micrograms/ml / Timolol 5mg/ml eye drops preservative free                 | ■ | 3   | ml   | 1416  | C | Eyzeetan                       |
| Bimatoprost 300micrograms/ml eye drops  | ■ | 3   | ml   | 1336  | A |                                |
| Bimatoprost 300micrograms/ml eye drops 0.4ml unit dose preservative free                  |   | 30  |      | 1582  | △ | A                              |
| Bimatoprost 300micrograms/ml eye drops preservative free                                  | ■ | 3   | ml   | 1171  | C | Eyreida                        |
| Bisacodyl 10mg suppositories  |   | 12  |      | 235   | C | Dulcolax                       |
| Bisacodyl 5mg gastro-resistant tablets  |   | 60  |      | 287   | M |                                |
| Bisacodyl 5mg suppositories   |   | 5   |      | 104   | C | Dulcolax                       |
| Bisoprolol 1.25mg tablets   |   | 28  |      | 96    | M |                                |
| Bisoprolol 10mg tablets   |   | 28  |      | 98    | M |                                |
| Bisoprolol 2.5mg tablets  |   | 28  |      | 91    | M |                                |
| Bisoprolol 3.75mg tablets   |   | 28  |      | 113   | M |                                |
| Bisoprolol 5mg tablets  |   | 28  |      | 89    | M |                                |
| Bisoprolol 7.5mg tablets  |   | 28  |      | 118   | M |                                |
| Blackcurrant syrup  |   | 500 | ml   | 1230  | C | J M Loveridge Ltd              |
| Boric acid powder   | ■ | 500 | g    | 742   | C | J M Loveridge Ltd              |
| Brimonidine 0.2% eye drops  | ■ | 5   | ml   | 243   | M |                                |
| Brimonidine 2mg/ml / Timolol 5mg/ml eye drops   | ■ | 5   | ml   | 1188  | △ | A                              |
| Brimonidine 3mg/g gel   | ■ | 30  | g    | 3369  | C | Mirvaso                        |
| Brinzolamide 10mg/ml / Brimonidine 2mg/ml eye drops                                       | ■ | 5   | ml   | 923   | C | Simbrinza                      |
| Brinzolamide 10mg/ml / Timolol 5mg/ml eye drops   | ■ | 5   | ml   | 682   | M |                                |
| Brinzolamide 10mg/ml eye drops  | ■ | 5   | ml   | 343   | M |                                |
| Brivaracetam 100mg tablets  |   | 56  |      | 12964 | C | Briviact                       |
| Brivaracetam 10mg tablets   |   | 14  |      | 3464  | C | Briviact                       |
| Brivaracetam 25mg tablets   |   | 56  |      | 12964 | C | Briviact                       |
| Brivaracetam 50mg tablets   |   | 56  |      | 12964 | C | Briviact                       |
| Brivaracetam 50mg/5ml oral solution sugar free  |   | 300 | ml   | 11583 | C | Briviact                       |
| Brivaracetam 75mg tablets   |   | 56  |      | 12964 | C | Briviact                       |
| Bromfenac 900micrograms/ml eye drops  | ■ | 5   | ml   | 850   | C | Yellox                         |
| Bromocriptine 2.5mg tablets   |   | 30  |      | 7499  | A |                                |
| Budesonide 100micrograms/dose / Formoterol 3micrograms/dose inhaler CFC free              | ■ | 120 | dose | 1400  | C | Symbicort                      |
| Budesonide 100micrograms/dose / Formoterol 6micrograms/dose dry powder inhaler            | ■ | 120 | dose | 2800  | C | Symbicort 100/6 Turbohaler     |
| Budesonide 100micrograms/dose dry powder inhaler  | ■ | 200 | dose | 1425  | C | Pulmicort Turbohaler 100       |
| Budesonide 1mg orodispersible tablets sugar free  |   | 90  |      | 32300 | C | Jorveza                        |
| Budesonide 1mg/2ml nebuliser liquid unit dose vials                                       |   | 20  |      | 3945  | A |                                |
| Budesonide 200micrograms/dose / Formoterol 6micrograms/dose dry powder inhaler            | ■ | 120 | dose | 2800  | C | Symbicort 200/6 Turbohaler     |
| Budesonide 200micrograms/dose / Formoterol 6micrograms/dose inhaler CFC free              | ■ | 120 | dose | 2800  | C | Symbicort                      |
| Budesonide 200micrograms/dose dry powder inhalation cartridge                             | ■ | 100 | dose | 959   | C | Budelin Novolizer              |
| Budesonide 200micrograms/dose dry powder inhalation cartridge with device                 | ■ | 100 | dose | 1486  | C | Budelin Novolizer              |
| Budesonide 200micrograms/dose dry powder inhaler  | ■ | 100 | dose | 1425  | C | Pulmicort Turbohaler 200       |
| Budesonide 2mg foam enema   | ■ | 14  | dose | 5711  | C | Budenofalk                     |

|  |                  |      |       |   |                             |
|--|------------------|------|-------|---|-----------------------------|
| Budesonide 2mg/100ml enema   | 7<br>(7x<br>■ 1) |      | 3366  | C | Entocort                    |
| Budesonide 3mg gastro-resistant capsules   | 100              |      | 7505  | C | Budenofalk                  |
| Budesonide 3mg gastro-resistant modified-release capsules  | ■ 100            |      | 7505  | C | Entocort CR                 |
| Budesonide 400micrograms/dose / Formoterol 12micrograms/dose dry powder inhaler                                    | ■ 60             | dose | 2800  | C | Symbicort 400/12 Turbohaler |
| Budesonide 400micrograms/dose dry powder inhaler   | ■ 50             | dose | 1425  | C | Pulmicort Turbohaler 400    |
| Budesonide 500micrograms/2ml nebuliser liquid unit dose vials  | 20               |      | 2556  | A |                             |
| Budesonide 64micrograms/dose nasal spray   | ■ 120            | dose | 565   | A |                             |
| Budesonide 9mg gastro-resistant granules sachets   | 60               |      | 13500 | C | Budenofalk                  |
| Budesonide 9mg modified-release tablets  | 30               |      | 7500  | C | Cortiment                   |
| Bumetanide 1mg tablets   | 28               |      | 130   | M |                             |
| Bumetanide 1mg/5ml oral solution sugar free  | 150              | ml   | 19800 | A |                             |
| Bumetanide 5mg tablets   | 28               |      | 1128  | △ | A                           |
| Bupivacaine 25mg/10ml (0.25%) / Adrenaline (base) 50micrograms/10ml (1 in 200,000) solution for injection ampoules | 10               |      | 4600  | C | Advanz Pharma               |
| Bupivacaine 25mg/10ml (0.25%) solution for injection ampoules  | 5                |      | 792   | C | Marcaïn                     |
|  | 20               |      | 1750  | C | Bupivacaine Sure-Amp        |
| Bupivacaine 50mg/10ml (0.5%) / Adrenaline (base) 50micrograms/10ml (1 in 200,000) solution for injection ampoules  | 10               |      | 5175  | C | Advanz Pharma               |
| Bupivacaine 50mg/10ml (0.5%) solution for injection ampoules   | 5                |      | 925   | C | Marcaïn                     |
|  | 10               |      | 756   | C | Advanz Pharma               |
|  | 20               |      | 1830  | C | Bupivacaine Sure-Amp        |
| Buprenorphine 10micrograms/hour transdermal patches  | 4                |      | 3155  | C | BuTrans                     |
| Buprenorphine 128mg/0.36ml prolonged-release solution for injection pre-filled syringes                            | ■ 1              |      | 23970 | C | Buvidal                     |
| Buprenorphine 15micrograms/hour transdermal patches  | 4                |      | 4915  | C | BuTrans                     |
| Buprenorphine 16mg / Naloxone 4mg sublingual tablets sugar free  | 28               |      | 15238 | C | Suboxone                    |
| Buprenorphine 16mg/0.32ml prolonged-release solution for injection pre-filled syringes                             | ■ 1              |      | 5593  | C | Buvidal                     |
| Buprenorphine 200microgram sublingual tablets sugar free   | 50               |      | 504   | C | Temgesic                    |
| Buprenorphine 20micrograms/hour transdermal patches  | 4                |      | 5746  | C | BuTrans                     |
| Buprenorphine 24mg/0.48ml prolonged-release solution for injection pre-filled syringes                             | ■ 1              |      | 5593  | C | Buvidal                     |
| Buprenorphine 2mg / Naloxone 500microgram sublingual tablets sugar free  | 28               |      | 2540  | ▽ | C Suboxone                  |
| Buprenorphine 2mg oral lyophilisates sugar free  | 28               |      | 2540  | C | Espranor                    |
| Buprenorphine 2mg sublingual tablets sugar free  | 7                |      | 329   | M |                             |
| Buprenorphine 32mg/0.64ml prolonged-release solution for injection pre-filled syringes                             | ■ 1              |      | 5593  | C | Buvidal                     |
| Buprenorphine 35micrograms/hour transdermal patches  | 4                |      | 1580  | C | Transtec                    |
| Buprenorphine 400microgram sublingual tablets sugar free   | 7                |      | 136   | C |                             |
|  | 50               |      | 1007  | C | Temgesic                    |
| Buprenorphine 52.5micrograms/hour transdermal patches  | 4                |      | 2371  | C | Transtec                    |
| Buprenorphine 5micrograms/hour transdermal patches   | 4                |      | 1760  | C | BuTrans                     |
| Buprenorphine 64mg/0.18ml prolonged-release solution for injection pre-filled syringes                             | ■ 1              |      | 23970 | C | Buvidal                     |
| Buprenorphine 70micrograms/hour transdermal patches  | 4                |      | 3160  | C | Transtec                    |
| Buprenorphine 8mg / Naloxone 2mg sublingual tablets sugar free   | 28               |      | 7619  | C | Suboxone                    |
| Buprenorphine 8mg oral lyophilisates sugar free  | 28               |      | 7620  | C | Espranor                    |
| Buprenorphine 8mg sublingual tablets sugar free  | 7                |      | 774   | M |                             |
| Buprenorphine 8mg/0.16ml prolonged-release solution for injection pre-filled syringes                              | ■ 1              |      | 5593  | C | Buvidal                     |
| Buprenorphine 96mg/0.27ml prolonged-release solution for injection pre-filled syringes                             | ■ 1              |      | 23970 | C | Buvidal                     |

|  |                   |      |        |   |                                |
|--|-------------------|------|--------|---|--------------------------------|
| Bupropion 150mg modified-release tablets   | 60                |      | 4176   | C | Zyban                          |
| Buserelin 100micrograms/dose nasal spray   | 336<br>(4x<br>84) | dose | 12224  | C | Suprefact                      |
| Buserelin 150micrograms/dose nasal spray   | 168<br>(2x<br>84) | dose | 10516  | C | Suprecur                       |
| Buserelin 5.5mg/5.5ml solution for injection vials   | 2                 |      | 3437   | C |                                |
| Buspirone 10mg tablets   | 30                |      | 3249   | M |                                |
| Buspirone 5mg tablets  | 30                |      | 556    | M |                                |
| Buspirone 7.5mg tablets  | 30                |      | 1500   | C | Strides Pharma UK Ltd          |
| Busulfan 2mg tablets   | 25                |      | 4173   | A |                                |
| C1-esterase inhibitor 1,500unit powder and solvent for solution for injection vials        | 1                 |      | 165000 | C | Berinerit                      |
| C1-esterase inhibitor 500unit powder and solvent for solution for injection vials          | 1                 |      | 55000  | C | Berinerit                      |
| Cabergoline 1mg tablets  | 20                |      | 6452   | ▽ | A                              |
| Cabergoline 2mg tablets  | 20                |      | 7312   |   | A                              |
| Cabergoline 500microgram tablets   | 8                 |      | 3499   | ▽ | C Teva UK Ltd                  |
| Caffeine citrate 50mg/5ml oral solution  | 5                 | ml   | 2599   | C | Martindale Pharmaceuticals Ltd |
| Calamine lotion  | 200               | ml   | 109    | C | Thornton & Ross Ltd            |
| Calcipotriol 0.005% / Betamethasone dipropionate 0.05% gel                                 | 60                | g    | 3721   | C | Dovobet                        |
| Calcipotriol 0.005% / Betamethasone dipropionate 0.05% ointment                            | 30                | g    | 1456   | ▽ | A                              |
| Calcipotriol 50micrograms/g / Betamethasone dipropionate 500micrograms/g foam              | 60                | g    | 3968   | C | Enstilar                       |
| Calcipotriol 50micrograms/g ointment   | 30                | g    | 747    | ▽ | A                              |
| Calcipotriol 50micrograms/ml scalp solution  | 60                | ml   | 7046   |   | A                              |
|  | 120               | ml   | 14093  |   | A                              |
| Calcitonin (salmon) 100units/1ml solution for injection ampoules                           | 5                 |      | 22000  |   | A                              |
| Calcitonin (salmon) 400units/2ml solution for injection vials                              | 1                 |      | 35200  |   | A                              |
| Calcitonin (salmon) 50units/1ml solution for injection ampoules                            | 5                 |      | 16750  |   | A                              |
| Calcitriol 250nanogram capsules  | 100               |      | 1804   | C | Rocaltrol                      |
| Calcitriol 3micrograms/g ointment  | 100               | g    | 1806   | C | Silkis                         |
| Calcitriol 500nanogram capsules  | 100               |      | 3225   | C | Rocaltrol                      |
| Calcium acetate 1g tablets   | 180               |      | 1979   | C | Phosex                         |
| Calcium acetate 435mg / Magnesium carbonate heavy 235mg tablets                            | 180               |      | 2400   | C | Osvaren                        |
| Calcium acetate 475mg tablets  | 200               |      | 1150   | C | Renacet                        |
| Calcium acetate 950mg tablets  | 200               |      | 1975   | C | Renacet                        |
| Calcium and Ergocalciferol tablets   | 28                |      | 3624   | M |                                |
| Calcium carbonate 1.25g chewable tablets sugar free  | 100               |      | 933    | C | Calcichew                      |
| Calcium carbonate 1.25g effervescent tablets sugar free                                    | 76<br>(4x<br>19)  |      | 1181   | C | Cacit                          |
| Calcium carbonate 1.5g chewable tablets sugar free   | 100               |      | 870    | C | Adcal                          |
| Calcium carbonate 2.5g chewable tablets sugar free   | 60                |      | 1316   | C | Calcichew Forte                |
| Calcium carbonate 500mg chewable tablets   | 48                |      | 272    | C | Rennie Orange                  |
| Calcium chloride 10% solution for injection 10ml pre-filled syringes                       | 1                 |      | 989    | C | Martindale Pharmaceuticals Ltd |
| Calcium chloride 14.7% solution for injection 10ml ampoules                                | 10                |      | 10706  |   | A                              |
| Calcium folinate 15mg tablets  | 10                |      | 4796   |   | A                              |
| Calcium folinate 15mg/2ml solution for injection ampoules                                  | 5                 |      | 3900   | C | Pfizer Ltd                     |
| Calcium gluconate 10% solution for injection 10ml ampoules                                 | 10                |      | 2387   | △ | A                              |
| Calcium gluconate 1g effervescent tablets  | 28                |      | 1676   | ▽ | A                              |
| Calcium lactate gluconate 2.263g / Calcium carbonate 1.75g effervescent tablets sugar free | 30<br>(3x<br>10)  |      | 1282   | C | Calvive 1000                   |
| Calcium polystyrene sulfonate powder sugar free  | 300               | g    | 8216   | C | Calcium Resonium               |
| Camellia sinensis extract 10% ointment   | 15                | g    | 3900   | C | Catephen                       |
| Canagliflozin 100mg tablets  | 30                |      | 3920   | C | Invokana                       |



|   |     |     |       |       |                                     |                               |
|---|-----|-----|-------|-------|-------------------------------------|-------------------------------|
| Canagliflozin 300mg tablets                                     | 30  |     | 3920  | C     | Invokana                            |                               |
| Canagliflozin 50mg / Metformin 1g tablets                       | 60  |     | 3920  | C     | Vokanamet                           |                               |
| Canagliflozin 50mg / Metformin 850mg tablets                    | 60  |     | 3920  | C     | Vokanamet                           |                               |
| Candesartan 16mg tablets  | 28  |     | 160   | M     |                                     |                               |
| Candesartan 2mg tablets   | 7   |     | 107   | M     |                                     |                               |
| Candesartan 32mg tablets  | 28  |     | 170   | M     |                                     |                               |
| Candesartan 4mg tablets   | 7   |     | 80    | M     |                                     |                               |
| Candesartan 8mg tablets   | 28  |     | 135   | M     |                                     |                               |
| Capecitabine 150mg tablets                                      | 60  |     | 3000  | C     | Dr Reddy's<br>Laboratories (UK) Ltd |                               |
| Capecitabine 300mg tablets                                      | 60  |     | 7604  | C     | Accord Healthcare Ltd               |                               |
| Capecitabine 500mg tablets                                      | 120 |     | 22572 | C     | Dr Reddy's<br>Laboratories (UK) Ltd |                               |
| Capsaicin 0.025% cream  | ■   | 45  | g     | 1771  | C                                   | Zacin                         |
| Capsaicin 0.075% cream  | ■   | 45  | g     | 1458  | C                                   | Axsain                        |
| Capsaicin 179mg cutaneous patches                               | ■   | 1   |       | 21000 | C                                   | Qutenza                       |
| Capsicum tincture   |     | 500 | ml    | 1390  | C                                   | J M Loveridge Ltd             |
| Captopril 12.5mg tablets  |     | 56  |       | 188   | △                                   | A                             |
| Captopril 25mg tablets  |     | 56  |       | 178   | ▽                                   | A                             |
| Captopril 25mg/5ml oral solution sugar free                     |     | 100 | ml    | 10351 |                                     | A                             |
| Captopril 50mg tablets  |     | 56  |       | 162   | ▽                                   | A                             |
| Captopril 5mg/5ml oral solution sugar free                      |     | 100 | ml    | 9338  | ▽                                   | A                             |
| Carbamazepine 100mg tablets                                     |     | 84  |       | 207   | C                                   | Tegretol                      |
| Carbamazepine 100mg/5ml oral suspension sugar free              |     | 300 | ml    | 906   | A                                   |                               |
| Carbamazepine 125mg suppositories                               |     | 5   |       | 12000 | A                                   |                               |
| Carbamazepine 200mg modified-release tablets                    |     | 56  |       | 520   | C                                   | Tegretol Prolonged<br>Release |
| Carbamazepine 200mg tablets                                     |     | 84  |       | 383   | C                                   | Tegretol                      |
| Carbamazepine 250mg suppositories                               |     | 5   |       | 14000 | C                                   | Essential Pharma Ltd          |
| Carbamazepine 400mg modified-release tablets                    |     | 56  |       | 1024  | C                                   | Tegretol Prolonged<br>Release |
| Carbamazepine 400mg tablets                                     |     | 56  |       | 502   | C                                   | Tegretol                      |
| Carbimazole 10mg tablets  |     | 100 |       | 8132  | A                                   |                               |
| Carbimazole 15mg tablets  |     | 100 |       | 12703 | A                                   |                               |
| Carbimazole 20mg tablets  |     | 100 |       | 778   | M                                   |                               |
| Carbimazole 5mg tablets   |     | 100 |       | 369   | M                                   |                               |
| Carbocisteine 250mg/5ml oral solution                           |     | 300 | ml    | 623   | M                                   |                               |
| Carbocisteine 375mg capsules                                    |     | 120 |       | 415   | M                                   |                               |
| Carbocisteine 750mg capsules                                    |     | 60  |       | 1898  | C                                   | Brown & Burk UK Ltd           |
| Carbocisteine 750mg/10ml oral solution 10ml sachets sugar free  |     | 15  |       | 385   | A                                   |                               |
| Carbocisteine 750mg/5ml oral solution sugar free                |     | 200 | ml    | 1898  | C                                   | Lucis Pharma Ltd              |
| Carbomer '980' 0.2% eye drops                                   | ■   | 10  | g     | 280   | C                                   | GelTears Ophthalmic<br>Gel    |
| Carbomer '980' 0.2% eye drops 0.6ml unit dose preservative free |     | 30  |       | 542   | C                                   | Viscotears                    |
| Carbomer 974P 0.25% eye gel                                     | ■   | 10  | g     | 450   | C                                   | Liquivisc                     |
| Cariprazine 1.5mg capsules                                      |     | 28  |       | 8036  | C                                   | Reagila                       |
| Cariprazine 3mg capsules  |     | 28  |       | 8036  | C                                   | Reagila                       |
| Cariprazine 4.5mg capsules                                      |     | 28  |       | 8036  | C                                   | Reagila                       |
| Cariprazine 6mg capsules  |     | 28  |       | 8036  | C                                   | Reagila                       |
| Carmellose 0.5% eye drops 0.4ml unit dose preservative free     |     | 30  |       | 480   | C                                   | Celluvisc                     |
| Carmellose 1% eye drops 0.4ml unit dose preservative free       |     | 30  |       | 300   | C                                   | Celluvisc                     |
| Carvedilol 12.5mg tablets                                       |     | 28  |       | 133   | M                                   |                               |
| Carvedilol 25mg tablets   |     | 28  |       | 173   | M                                   |                               |
| Carvedilol 3.125mg tablets                                      |     | 28  |       | 118   | M                                   |                               |
| Carvedilol 6.25mg tablets                                       |     | 28  |       | 116   | M                                   |                               |
| Cefaclor 125mg/5ml oral suspension                              | ●   | 100 | ml    | 413   | C                                   | Distaclor                     |
| Cefaclor 250mg/5ml oral suspension                              | ●   | 100 | ml    | 826   | C                                   | Distaclor                     |
| Cefaclor 375mg modified-release tablets                         |     | 14  |       | 910   | C                                   | Distaclor MR                  |
| Cefaclor 500mg capsules   |     | 21  |       | 750   | C                                   | Distaclor                     |
| Cefadroxil 500mg capsules                                       |     | 20  |       | 2238  | C                                   | Sandoz Ltd                    |
| Cefalexin 125mg/5ml oral suspension                             | ●   | 100 | ml    | 327   | A                                   |                               |
| Cefalexin 125mg/5ml oral suspension sugar free                  | ●   | 100 | ml    | 292   | A                                   |                               |
| Cefalexin 250mg capsules  |     | 28  |       | 216   | M                                   |                               |
| Cefalexin 250mg tablets   |     | 28  |       | 270   | M                                   |                               |
| Cefalexin 250mg/5ml oral suspension                             | ●   | 100 | ml    | 317   | A                                   |                               |
| Cefalexin 250mg/5ml oral suspension sugar free                  | ●   | 100 | ml    | 338   | A                                   |                               |
| Cefalexin 500mg capsules  |     | 21  |       | 240   | M                                   |                               |
| Cefalexin 500mg tablets   |     | 21  |       | 278   | M                                   |                               |
| Cefixime 200mg tablets  |     | 7   |       | 1323  | C                                   | Suprax                        |
| Cefradine 250mg capsules  |     | 20  |       | 576   | M                                   |                               |

|  |   |     |    |         |   |   |                                 |
|--|---|-----|----|---------|---|---|---------------------------------|
| Cefradine 500mg capsules   |   | 20  |    | 699     |   | M |                                 |
| Ceftriaxone 1g powder for solution for injection vials                         | ■ | 1   |    | 958     |   | C | Rocephin                        |
| Ceftriaxone 250mg powder for solution for injection vials                      | ■ | 1   |    | 240     |   | C | Rocephin                        |
| Ceftriaxone 2g powder for solution for injection vials                         | ■ | 1   |    | 1918    |   | C | Rocephin                        |
| Cefuroxime 125mg tablets   |   | 14  |    | 456     |   | C | Zinnat                          |
| Cefuroxime 125mg/5ml oral suspension   | ● | 70  | ml | 520     |   | C | Zinnat                          |
| Cefuroxime 250mg tablets   |   | 14  |    | 1772    |   | A |                                 |
| Celecoxib 100mg capsules   |   | 60  |    | 165     |   | M |                                 |
| Celecoxib 200mg capsules   |   | 30  |    | 172     |   | M |                                 |
| Celiprolol 200mg tablets   |   | 28  |    | 910     |   | M |                                 |
| Celiprolol 400mg tablets   |   | 28  |    | 1588    |   | M |                                 |
| Cetirizine 10mg capsules   |   | 7   |    | 309     |   | C | Benadryl Allergy Liquid Release |
| Cetirizine 10mg tablets  |   | 30  |    | 110     |   | M |                                 |
| Cetirizine 1mg/ml oral solution sugar free                                     |   | 200 | ml | 1124    | △ | A |                                 |
| Cetomacrogol cream (Formula A)   |   | 500 | g  | 336     |   | A |                                 |
| Cetrimide 0.2% / Benzalkonium chloride 0.01% cream                             | ■ | 100 | g  | 308     |   | C | Drapolene                       |
|  |   | 200 | g  | 431     |   | C | Drapolene                       |
|  |   | 350 | g  | 616     |   | C | Drapolene                       |
| Cetrimide 0.5% cream   | ■ | 15  | g  | 56      |   | C | Cetrimide Antiseptic First Aid  |
|  | ■ | 30  | g  | 50      |   | C | Numark Antiseptic               |
|  | ■ | 50  | g  | 275     |   | C | Cetavlex                        |
| Cetrorelix 250microgram powder and solvent for solution for injection vials    | ■ | 1   |    | 2713    |   | C | Cetrotide                       |
| Chenodeoxycholic acid 250mg capsules   |   | 100 |    | 1400000 |   | C | Leadiant Biosciences Ltd        |
| Chloral hydrate 143.3mg/5ml oral solution BP                                   |   | 150 | ml | 24425   |   | A |                                 |
| Chlorambucil 2mg tablets   |   | 25  |    | 2701    |   | A |                                 |
| Chloramphenicol 0.5% eye drops   | ■ | 10  | ml | 735     | △ | A |                                 |
| Chloramphenicol 0.5% eye drops 0.5ml unit dose preservative free               |   | 20  |    | 1143    |   | C | Minims                          |
| Chloramphenicol 0.5% eye drops preservative free                               | ■ | 10  | ml | 1012    |   | C | Eykappo                         |
| Chloramphenicol 1% eye ointment  | ■ | 4   | g  | 218     |   | M |                                 |
| Chloramphenicol 10% ear drops  | ■ | 10  | ml | 9003    |   | A |                                 |
| Chloramphenicol 1g powder for solution for injection vials                     | ■ | 1   |    | 8800    |   | A |                                 |
| Chloramphenicol 250mg capsules   |   | 60  |    | 37700   |   | A |                                 |
| Chloramphenicol 5% ear drops   | ■ | 10  | ml | 9937    | △ | A |                                 |
| Chlordiazepoxide 10mg capsules   |   | 100 |    | 1800    |   | A |                                 |
| Chlordiazepoxide 5mg capsules  |   | 100 |    | 1516    |   | A |                                 |
| Chlorhexidine 0.2% oral spray sugar free                                       | ■ | 60  | ml | 428     |   | C | Corsodyl                        |
| Chlorhexidine 1% dental gel sugar free   | ■ | 50  | g  | 223     |   | C | Corsodyl                        |
| Chlorhexidine acetate 0.02% catheter maintenance solution                      | ■ | 100 | ml | 270     |   | C | Uro-Tainer                      |
| Chlorhexidine gluconate 0.015% / Cetrimide 0.15% solution 100ml sachets        |   | 10  |    | 685     |   | C | Sterets Tisept                  |
| Chlorhexidine gluconate 0.015% / Cetrimide 0.15% solution 25ml sachets         |   | 25  |    | 533     |   | C | Sterets Tisept                  |
| Chlorhexidine gluconate 0.05% solution 100ml sachets                           |   | 10  |    | 683     |   | C | Sterets Unisept                 |
| Chlorhexidine gluconate 0.05% solution 25ml sachets                            |   | 25  |    | 554     |   | C | Sterets Unisept                 |
| Chlorhexidine gluconate 0.06% / Sodium fluoride 0.05% mouthwash sugar free     |   | 500 | ml | 303     |   | C | Corsodyl Daily                  |
| Chlorhexidine gluconate 0.1% / Cetrimide 0.5% cream                            | ■ | 15  | g  | 90      |   | C | Savlon                          |
|  | ■ | 30  | g  | 119     |   | C | Savlon                          |
|  | ■ | 60  | g  | 191     |   | C | Savlon                          |
|  | ■ | 100 | g  | 278     |   | C | Savlon                          |
| Chlorhexidine gluconate 0.2% mouthwash   |   | 300 | ml | 274     |   | M |                                 |
| Chlorhexidine gluconate 0.25% cream  | ■ | 30  | g  | 190     |   | C | Acriflex                        |
| Chlorhexidine gluconate 0.5% solution  |   | 500 | ml | 561     | △ | C | HiBi Liquid Hand Rub+           |
|  |   | 600 | ml | 491     |   | C | Hydrex                          |
| Chlorhexidine gluconate 1% cream   | ■ | 250 | ml | 1923    |   | C | Hibitane Obstetric              |
| Chlorhexidine gluconate 1% solution  | ■ | 150 | ml | 3475    |   | C | Cepton                          |
| Chlorhexidine gluconate 2% / Isopropyl alcohol 70% solution 0.67ml applicators |   | 200 |    | 6000    |   | C | ChloraPrep                      |
| Chlorhexidine gluconate 2% / Isopropyl alcohol 70% solution 1.5ml applicators  |   | 20  |    | 1100    |   | C | ChloraPrep                      |

|   |     |         |           |   |                              |
|---|-----|---------|-----------|---|------------------------------|
| Chlorhexidine gluconate 2% / Isopropyl alcohol 70% solution 10.5ml applicators                  | 25  |         | 7300      | C | ChloraPrep                   |
| Chlorhexidine gluconate 2% / Isopropyl alcohol 70% solution 26ml applicators                    | 25  |         | 16250     | C | ChloraPrep                   |
| Chlorhexidine gluconate 2% / Isopropyl alcohol 70% solution 3ml applicators                     | 25  |         | 2125      | C | ChloraPrep                   |
| Chlorhexidine gluconate 4% solution   | ■   | 250 ml  | 442       | C | HiBiScrub                    |
|   | ■   | 500 ml  | 555       | △ | C HiBiScrub                  |
|   | ■   | 5000 ml | 2820      | △ | C HiBiScrub                  |
| Chlorhexidine hydrochloride 0.5% cream  | ■   | 30 g    | 217       | C | Germolene Wound Care         |
| Chloroprocaine 400mg/20ml solution for injection vials  | ■   | 1       | 1472      | C | Ampres                       |
| Chloroquine phosphate 250mg tablets   | 20  |         | 859       | C | Avloclor                     |
| Chloroquine phosphate 80mg/5ml oral solution  | 75  | ml      | 3000      | C | Malarivon                    |
| Chloroxylenol 4.8% solution   | 750 | ml      | 289       | C | Dettol                       |
| Chlorphenamine 10mg/1ml solution for injection ampoules   | 5   |         | 2250      | A |                              |
| Chlorphenamine 2mg/5ml oral solution  | 150 | ml      | 278       | C | Piriton Syrup                |
| Chlorphenamine 2mg/5ml oral solution sugar free   | 150 | ml      | 221       | C | Allerief                     |
| Chlorphenamine 4mg tablets  | 28  |         | 307       | A |                              |
| Chlorpromazine 100mg tablets  | 28  |         | 1249      | M |                              |
| Chlorpromazine 100mg/5ml oral solution  | 150 | ml      | 550       | A |                              |
| Chlorpromazine 25mg tablets   | 28  |         | 1221      | M |                              |
| Chlorpromazine 25mg/5ml oral solution   | 150 | ml      | 235       | C | Rosemont Pharmaceuticals Ltd |
| Chlorpromazine 25mg/5ml oral solution sugar free  | 150 | ml      | 266       | C | A A H Pharmaceuticals Ltd    |
| Chlorpromazine 50mg tablets   | 28  |         | 2104      | M |                              |
| Chlorpromazine 50mg/2ml solution for injection ampoules   | 10  |         | 751       | C | Largactil                    |
| Chlortalidone 50mg tablets  | 30  |         | 8804      | A |                              |
| Cholera vaccine oral suspension and vehicle   | 2   | dose    | 4320      | C | Dukoral                      |
| Choline salicylate 8.7% oromucosal gel sugar free   | ■   | 15 g    | 291       | C | Bonjela                      |
| Chorogonadotropin alfa 250micrograms/0.5ml solution for injection pre-filled disposable devices | ■   | 1       | 3766      | C | Ovitrelle                    |
| Chorogonadotropin alfa 250micrograms/0.5ml solution for injection pre-filled syringes           | ■   | 1       | 3766      | C | Ovitrelle                    |
| Ciclesonide 160micrograms/dose inhaler CFC free   | ■   | 60      | dose 1931 | C | Alvesco 160                  |
|   | ■   | 120     | dose 3862 | C | Alvesco 160                  |
| Ciclesonide 80micrograms/dose inhaler CFC free  | ■   | 120     | dose 3283 | C | Alvesco 80                   |
| Ciclosporin 0.1% eye drops 0.3ml unit dose  | 30  |         | 7200      | C | Ikervis                      |
| Ciclosporin 100mg capsules  | 30  |         | 6828      | C | Neoral                       |
| Ciclosporin 100mg/ml oral solution sugar free   | ■   | 50 ml   | 16472     | C |                              |
| Ciclosporin 10mg capsules   | 60  |         | 1825      | C | Neoral                       |
| Ciclosporin 25mg capsules   | 30  |         | 1837      | C | Neoral                       |
| Ciclosporin 50mg capsules   | 30  |         | 3597      | C | Neoral                       |
| Cilostazol 100mg tablets  | 56  |         | 625       | M |                              |
| Cilostazol 50mg tablets   | 56  |         | 4008      | A |                              |
| Cimetidine 200mg tablets  | 60  |         | 1852      | A |                              |
| Cimetidine 200mg/5ml oral solution  | 600 | ml      | 2849      | C | Tagamet Syrup                |
| Cimetidine 200mg/5ml oral solution sugar free   | 300 | ml      | 4878      | A |                              |
| Cimetidine 400mg tablets  | 60  |         | 2162      | △ | A                            |
| Cinacalcet 30mg tablets   | 28  |         | 4137      | ▽ | A                            |
| Cinacalcet 60mg tablets   | 28  |         | 7182      | ▽ | A                            |
| Cinacalcet 90mg tablets   | 28  |         | 10774     | ▽ | A                            |
| Cinchocaine 0.5% / Hydrocortisone 0.5% ointment   | ■   | 30 g    | 1034      | C | Proctosedyl                  |
| Cinchocaine 0.5% / Prednisolone 0.19% ointment  | ■   | 30 g    | 323       | C | Scheriproct                  |
| Cinchocaine 1mg / Prednisolone hexanoate 1.3mg suppositories                                    | 12  |         | 152       | C | Scheriproct                  |
| Cinchocaine 5mg / Hydrocortisone 5mg suppositories  | 12  |         | 508       | C | Proctosedyl                  |
| Cinnarizine 15mg tablets  | 84  |         | 393       | M |                              |
| Cinnarizine 20mg / Dimenhydrinate 40mg tablets  | 100 |         | 2400      | C | Arlevert                     |
| Ciprofibrate 100mg tablets  | 28  |         | 12253     | A |                              |
| Ciprofloxacin 0.3% / Dexamethasone 0.1% ear drops   | ■   | 5 ml    | 612       | C | Consilient Health Ltd        |
| Ciprofloxacin 0.3% eye drops  | ■   | 5 ml    | 470       | C | Ciloxan                      |
| Ciprofloxacin 100mg tablets   | 6   |         | 211       | A |                              |
| Ciprofloxacin 250mg tablets   | 10  |         | 166       | M |                              |
| Ciprofloxacin 250mg/5ml oral suspension   | ●   | 100 ml  | 2129      | C | Ciproxin                     |
| Ciprofloxacin 2mg/ml ear drops 0.25ml unit dose preservative free                               | 15  |         | 601       | C | Cetralax                     |

|  |     |    |       |   |                              |
|--|-----|----|-------|---|------------------------------|
| Ciprofloxacin 3mg/ml / Fluocinolone acetonide 0.25mg/ml ear drops 0.25ml unit dose preservative free | 15  |    | 601   | C | Cetraxal Plus                |
| Ciprofloxacin 500mg tablets  | 10  |    | 304   | M |                              |
| Ciprofloxacin 750mg tablets  | 10  |    | 800   | A |                              |
| Cisplatin 100mg/100ml solution for infusion vials  | 1   |    | 5154  | A |                              |
| Cisplatin 50mg/50ml solution for infusion vials  | 1   |    | 2742  | A |                              |
| Citalopram 10mg tablets  | 28  |    | 91    | M |                              |
| Citalopram 20mg tablets  | 28  |    | 99    | M |                              |
| Citalopram 40mg tablets  | 28  |    | 111   | M |                              |
| Citalopram 40mg/ml oral drops sugar free   | 15  | ml | 1119  | M |                              |
| Citric acid 17.79g / Magnesium carbonate 11.57g effervescent powder sachets sugar free               | 10  |    | 2050  | C | Citramag                     |
| Citric acid monohydrate powder   | 500 | g  | 471   | C | J M Loveridge Ltd            |
| Clarithromycin 125mg/5ml oral suspension   | 70  | ml | 452   | M |                              |
| Clarithromycin 250mg granules sachets  | 14  |    | 1168  | C | Klaricid Adult               |
| Clarithromycin 250mg tablets   | 14  |    | 140   | M |                              |
| Clarithromycin 250mg/5ml oral suspension   | 70  | ml | 550   | M |                              |
| Clarithromycin 500mg modified-release tablets  | 7   |    | 672   | C |                              |
| Clarithromycin 500mg powder for solution for infusion vials  | 1   |    | 945   | C | Klaricid IV                  |
| Clarithromycin 500mg tablets   | 14  |    | 254   | M |                              |
| Clemastine 1mg tablets   | 60  |    | 733   | C | Tavegil                      |
| Clindamycin 1% / Tretinoin 0.025% gel  | 30  | g  | 1194  | C | Treclin                      |
| Clindamycin 1% alcoholic solution  | 30  | ml | 434   | C | Dalacin T Topical            |
| Clindamycin 1% aqueous lotion  | 30  | ml | 508   | C | Dalacin T Topical            |
| Clindamycin 1% gel   | 30  | g  | 866   | C | Zindaclin                    |
| Clindamycin 150mg capsules   | 24  |    | 217   | M |                              |
| Clindamycin 2% vaginal cream   | 40  | g  | 1086  | C | Dalacin                      |
| Clindamycin 300mg capsules   | 30  |    | 3823  | A |                              |
| Clindamycin 75mg capsules  | 24  |    | 745   | C | Dalacin C                    |
| Clobazam 10mg tablets  | 30  |    | 381   | A |                              |
| Clobazam 10mg/5ml oral suspension sugar free   | 150 | ml | 9500  | A |                              |
| Clobazam 250mg/5ml oral suspension sugar free  | 250 | ml | 15833 | A |                              |
| Clobazam 5mg/5ml oral suspension sugar free  | 150 | ml | 9000  | A |                              |
| Clobetasol 0.05% cream   | 30  | g  | 269   | C | Dermovate                    |
| Clobetasol 0.05% ointment  | 100 | g  | 790   | C | Dermovate                    |
| Clobetasol 0.05% scalp application   | 30  | g  | 269   | C | Dermovate                    |
| Clobetasol 0.05% scalp application   | 100 | g  | 790   | C | Dermovate                    |
| Clobetasol 0.05% scalp application   | 30  | ml | 307   | C | Dermovate                    |
| Clobetasol 0.05% scalp application   | 100 | ml | 1042  | C | Dermovate                    |
| Clobetasol 500microgram / Neomycin 5mg / Nystatin 100,000units/g cream                               | 30  | g  | 8700  | A |                              |
| Clobetasol 500microgram / Neomycin 5mg / Nystatin 100,000units/g ointment                            | 30  | g  | 8700  | A |                              |
| Clobetasol 500micrograms/g shampoo   | 125 | ml | 915   | C | Etrivex                      |
| Clobetasone 0.05% / Oxytetracycline 3% / Nystatin 100,000units/g cream                               | 30  | g  | 1245  | C | Trimovate                    |
| Clobetasone 0.05% cream  | 15  | g  | 460   | C | Eumovate Eczema & Dermatitis |
| Clobetasone 0.05% cream  | 30  | g  | 186   | C | Eumovate                     |
| Clobetasone 0.05% cream  | 100 | g  | 544   | C | Eumovate                     |
| Clobetasone 0.05% ointment   | 30  | g  | 186   | C | Eumovate                     |
| Clobetasone 0.05% ointment   | 100 | g  | 544   | C | Eumovate                     |
| Clomethiazole 157.5mg/5ml oral solution sugar free   | 300 | ml | 3000  | A |                              |
| Clomethiazole 192mg capsules   | 60  |    | 3280  | A |                              |
| Clomifene 50mg tablets   | 30  |    | 1015  | C | Clomid                       |
| Clomipramine 10mg capsules   | 28  |    | 237   | M |                              |
| Clomipramine 25mg capsules   | 28  |    | 259   | M |                              |
| Clomipramine 50mg capsules   | 28  |    | 483   | M |                              |
| Clonazepam 2mg tablets   | 100 |    | 3450  | A |                              |
| Clonazepam 2mg/5ml oral solution sugar free  | 150 | ml | 10838 | A |                              |
| Clonazepam 500microgram tablets  | 100 |    | 3182  | A |                              |
| Clonazepam 500micrograms/5ml oral solution sugar free  | 150 | ml | 7709  | A |                              |
| Clonidine 100microgram tablets   | 100 |    | 804   | C | Catapres                     |
| Clonidine 150micrograms/1ml solution for injection ampoules  | 5   |    | 209   | C | Catapres                     |
| Clonidine 25microgram tablets  | 112 |    | 812   | M |                              |
| Clonidine 50micrograms/5ml oral solution sugar free  | 100 | ml | 9712  | A |                              |
| Clopidogrel 300mg tablets  | 30  |    | 14254 | C | Plavix                       |
| Clopidogrel 75mg tablets   | 28  |    | 151   | M |                              |

|   |   |     |    |       |   |                                      |
|---|---|-----|----|-------|---|--------------------------------------|
| Clotrimazole 1% cream                                   | ■ | 20  | g  | 143   | M |                                      |
|   | ■ | 50  | g  | 358   | M |                                      |
| Clotrimazole 1% solution                                | ■ | 20  | ml | 253   | C | Canesten                             |
| Clotrimazole 1% spray                                   | ■ | 40  | ml | 472   | C | Canesten Dermatological              |
| Clotrimazole 10% cream and Clotrimazole 2% cream        | ■ | 1   |    | 894   | C | Canesten Combi Internal & External   |
| Clotrimazole 10% vaginal cream                          | ■ | 5   | g  | 623   | C | Canesten Internal                    |
| Clotrimazole 100mg pessaries                            | ■ | 6   |    | 385   | C | Canesten                             |
| Clotrimazole 2% cream                                   | ■ | 20  | g  | 476   | C | Canesten Thrush                      |
| Clotrimazole 200mg pessaries                            | ■ | 3   |    | 341   | C | Canesten                             |
| Clotrimazole 500mg pessaries                            | ■ | 1   |    | 526   | M |                                      |
| Clotrimazole 500mg pessary and Clotrimazole 2% cream    | ■ | 1   |    | 573   | C | Canesten Combi                       |
| Clove oil liquid  |   | 10  | ml | 194   | C | Thornton & Ross Ltd                  |
| Clozapine 100mg orodispersible tablets sugar free       |   | 28  |    | 2218  | C | Zaponex                              |
| Clozapine 100mg tablets                                 |   | 84  |    | 6653  | C |                                      |
| Clozapine 12.5mg orodispersible tablets sugar free      |   | 28  |    | 277   | C | Zaponex                              |
| Clozapine 200mg orodispersible tablets sugar free       |   | 28  |    | 4435  | C | Zaponex                              |
| Clozapine 200mg tablets                                 |   | 100 |    | 15840 | C | Denzapine                            |
| Clozapine 25mg orodispersible tablets sugar free        |   | 28  |    | 555   | C | Zaponex                              |
| Clozapine 25mg tablets                                  |   | 84  |    | 1664  | C |                                      |
| Clozapine 50mg orodispersible tablets sugar free        |   | 28  |    | 1109  | C | Zaponex                              |
| Clozapine 50mg tablets                                  |   | 100 |    | 3960  | C | Denzapine                            |
| Clozapine 50mg/ml oral suspension sugar free            | ■ | 100 | ml | 3960  | C | Denzapine                            |
| Coal tar 2.5% scalp lotion                              | ■ | 250 | ml | 474   | C | Psoriderm                            |
| Coal tar 4% shampoo                                     | ■ | 150 | ml | 346   | C | Polytar Scalp                        |
| Coal tar 40% bath emulsion                              | ■ | 200 | ml | 274   | C | Psoriderm                            |
| Coal tar 6% cream                                       | ■ | 225 | ml | 942   | C | Psoriderm                            |
| Coal tar extract 2% shampoo                             | ■ | 125 | ml | 411   | C | Neutrogena T/Gel Therapeutic shampoo |
|   | ■ | 250 | ml | 618   | C | Neutrogena T/Gel Therapeutic shampoo |
| Coal tar extract 5% shampoo                             | ■ | 250 | ml | 581   | C | Alphosyl 2 in 1                      |
| Coal tar solution 5% cutaneous emulsion                 | ■ | 100 | ml | 811   | C | Exorex                               |
|   | ■ | 250 | ml | 1624  | C | Exorex                               |
| Co-amilorfruse 10mg/80mg tablets                        |   | 28  |    | 1552  | A |                                      |
| Co-amilorfruse 2.5mg/20mg tablets                       |   | 28  |    | 601   | M |                                      |
| Co-amilorfruse 5mg/40mg tablets                         |   | 28  |    | 529   | C | Frumil                               |
| Co-amilozide 2.5mg/25mg tablets                         |   | 28  |    | 933   | A |                                      |
| Co-amilozide 5mg/50mg tablets                           |   | 28  |    | 182   | M |                                      |
| Co-amoxiclav 125mg/31mg/5ml oral suspension             | ● | 100 | ml | 500   | C | Mylan                                |
| Co-amoxiclav 125mg/31mg/5ml oral suspension sugar free  | ● | 100 | ml | 238   | M |                                      |
| Co-amoxiclav 250mg/125mg tablets                        |   | 21  |    | 200   | M |                                      |
| Co-amoxiclav 250mg/62mg/5ml oral suspension             | ● | 100 | ml | 500   | C | Mylan                                |
| Co-amoxiclav 250mg/62mg/5ml oral suspension sugar free  | ● | 100 | ml | 230   | M |                                      |
| Co-amoxiclav 400mg/57mg/5ml oral suspension sugar free  | ● | 35  | ml | 413   | C | Augmentin Duo 400/57                 |
|   | ● | 70  | ml | 579   | C | Augmentin Duo 400/57                 |
| Co-amoxiclav 500mg/125mg tablets                        |   | 21  |    | 244   | M |                                      |
| Co-amoxiclav 875mg/125mg tablets                        |   | 14  |    | 1800  | C | Brown & Burk UK Ltd                  |
| Co-beneldopa 12.5mg/50mg capsules                       |   | 100 |    | 496   | C |                                      |
| Co-beneldopa 12.5mg/50mg dispersible tablets sugar free |   | 100 |    | 590   | C | Madopar                              |
| Co-beneldopa 25mg/100mg capsules                        |   | 100 |    | 691   | C | Madopar                              |
| Co-beneldopa 25mg/100mg dispersible tablets sugar free  |   | 100 |    | 1045  | C | Madopar                              |
| Co-beneldopa 25mg/100mg modified-release capsules       |   | 100 |    | 1277  | C | Madopar CR                           |
| Co-beneldopa 50mg/200mg capsules                        |   | 100 |    | 1178  | C | Madopar                              |
| Co-careldopa 10mg/100mg tablets                         |   | 100 |    | 1398  | A |                                      |
| Co-careldopa 12.5mg/50mg tablets                        |   | 90  |    | 833   | M |                                      |
| Co-careldopa 25mg/100mg modified-release tablets        |   | 60  |    | 1160  | C | Half Sinemet CR                      |
| Co-careldopa 25mg/100mg tablets                         |   | 100 |    | 1586  | M |                                      |
| Co-careldopa 25mg/250mg tablets                         |   | 100 |    | 3676  | ▽ | A                                    |
| Co-careldopa 50mg/200mg modified-release tablets        |   | 60  |    | 1160  | C | Sinemet CR                           |
| Co-codamol 12.8mg/500mg tablets                         |   | 20  |    | 381   | C | Solpadeine Max                       |
|   |   | 30  |    | 491   | C | Solpadeine Max                       |
| Co-codamol 15mg/500mg capsules                          |   | 100 |    | 905   | A |                                      |

|  |          |     |       |       |   |                                |
|--|----------|-----|-------|-------|---|--------------------------------|
| Co-codamol 15mg/500mg effervescent tablets sugar free                      | 100      |     | 825   |       | C | Codipar                        |
| Co-codamol 15mg/500mg tablets  | 100      |     | 335   |       | M |                                |
| Co-codamol 30mg/500mg capsules   | 100      |     | 541   |       | M |                                |
| Co-codamol 30mg/500mg effervescent tablets                                 | 32       |     | 249   |       | M |                                |
|  | 100      |     | 778   |       | M |                                |
| Co-codamol 30mg/500mg tablets  | 30       |     | 168   |       | M |                                |
|  | 100      |     | 560   |       | M |                                |
| Co-codamol 30mg/500mg/5ml oral solution sugar free                         | 150      | ml  | 1199  |       | A |                                |
| Co-codamol 8mg/500mg capsules  | 32       |     | 756   |       | A |                                |
|  | 100      |     | 2362  |       | A |                                |
| Co-codamol 8mg/500mg effervescent tablets                                  | 32       |     | 305   |       | M |                                |
|  | 100      |     | 953   |       | M |                                |
| Co-codamol 8mg/500mg tablets   | 30       |     | 152   |       | M |                                |
|  | 100      |     | 507   |       | M |                                |
| Coconut oil  | 500      | g   | 513   |       | C | J M Loveridge Ltd              |
| Co-cyprindiol 2000microgram/35microgram tablets                            | 63       |     | 1078  |       | A |                                |
| Co-danthramer 25mg/200mg/5ml oral suspension sugar free                    | 300      | ml  | 20953 | △     | A |                                |
| Co-danthramer 75mg/1000mg/5ml oral suspension sugar free                   | 300      | ml  | 39657 | △     | A |                                |
| Co-danthrusate 50mg/60mg/5ml oral suspension sugar free                    | 200      | ml  | 20250 |       | C | A A H Pharmaceuticals Ltd      |
| Codeine 15mg tablets   | 28       |     | 105   |       | M |                                |
|  | 100      |     | 375   |       | M |                                |
| Codeine 15mg/5ml linctus   | 200      | ml  | 190   |       | C | Thornton & Ross Ltd            |
| Codeine 15mg/5ml linctus sugar free  | 200      | ml  | 163   |       | A |                                |
| Codeine 25mg/5ml oral solution   | 500      | ml  | 664   |       | A |                                |
| Codeine 30mg tablets   | 28       |     | 124   |       | M |                                |
|  | 100      |     | 443   |       | M |                                |
| Codeine 60mg tablets   | 28       |     | 188   |       | M |                                |
| Codeine 60mg/1ml solution for injection ampoules                           | 10       |     | 2720  |       | C | Torbay Pharmaceuticals         |
| Co-dydramol 10mg/500mg tablets   | 30       |     | 159   |       | M |                                |
|  | 100      |     | 530   |       | M |                                |
| Co-dydramol 20mg/500mg tablets   | 56       |     | 587   |       | C | Remedeine                      |
|  | 112      |     | 1113  |       | C | Remedeine                      |
| Co-dydramol 30mg/500mg tablets   | 56       |     | 1051  |       | A |                                |
| Co-fluampicil 250mg/250mg capsules   | 28       |     | 2093  |       | M |                                |
| Co-flumactone 25mg/25mg tablets  | 100      |     | 2023  |       | C | Aldactide 25                   |
| Co-flumactone 50mg/50mg tablets  | 100      |     | 3823  |       | C | Aldactide 50                   |
| Colchicine 500microgram tablets  | 100      |     | 499   |       | M |                                |
| Colecalciferol 1,000unit / Calcium carbonate 2.5g chewable tablets         | 28       |     | 225   |       | C | Calci-D                        |
|  | (2x 14)  |     |       |       |   |                                |
| Colecalciferol 1,000unit capsules  | 30       |     | 1000  |       | C | Colonis Pharma Ltd             |
| Colecalciferol 1,000unit tablets   | 28       |     | 295   |       | C | Stexerol-D3                    |
| Colecalciferol 10,000unit capsules   | 20       |     | 999   |       | C | Alissa Healthcare Research Ltd |
| Colecalciferol 10,000units/ml oral drops sugar free                        | ■        | 10  | ml    | 585   | C | Thorens                        |
| Colecalciferol 10,000units/ml oral solution sugar free                     | ■        | 2.5 | ml    | 155   | C | Thorens                        |
|  |          | 10  | ml    | 585   | C | Thorens                        |
|  | (4x 2.5) |     |       |       |   |                                |
| Colecalciferol 15,000units/5ml oral solution                               | ■        | 100 | ml    | 14400 | A |                                |
| Colecalciferol 2,400units/ml oral drops sugar free                         | ■        | 10  | ml    | 360   | C | InVita D3                      |
| Colecalciferol 2,740units/ml oral drops sugar free                         | ■        | 25  | ml    | 1070  | C | Fultium-D3                     |
| Colecalciferol 20,000unit capsules   | 15       |     | 1704  |       | C | Fultium-D3                     |
|  | 30       |     | 2900  |       | C |                                |
| Colecalciferol 200unit / Calcium carbonate 1.25g chewable tablets          | 100      |     | 768   |       | C | Calcichew D3                   |
| Colecalciferol 200unit / Calcium carbonate 750mg tablets                   | 112      |     | 295   |       | C | Adcal-D3                       |
| Colecalciferol 25,000unit capsules   | 3        |     | 395   |       | C | InVita D3                      |
| Colecalciferol 25,000unit tablets  | 12       |     | 1700  |       | C | Stexerol-D3                    |
| Colecalciferol 25,000units/1ml oral solution unit dose ampoules sugar free | 3        |     | 445   |       | C | InVita D3                      |
| Colecalciferol 3,200unit capsules  | 30       |     | 1332  |       | C | Fultium-D3                     |
| Colecalciferol 4,000unit tablets   | 70       |     | 1590  |       | C | Desunin                        |
| Colecalciferol 40,000unit capsules   | 10       |     | 1500  |       | C | Plenachol                      |
| Colecalciferol 400unit / Calcium carbonate 1.25g chewable tablets          | 60       |     | 424   |       | C | Calcichew D3 Forte             |

|   |                    |    |       |   |  |
|---|--------------------|----|-------|---|--|
| Colecalciferol 400unit / Calcium carbonate 1.5g chewable tablets                        | 56                 |    | 365   | C | Adcal-D3                               |
| Colecalciferol 400unit / Calcium carbonate 1.5g effervescent tablets                    | 56<br>(4x<br>■ 14) |    | 599   | C | Adcal-D3 Dissolve                      |
| Colecalciferol 400unit / Calcium carbonate 1.5g tablets                                 | 60                 |    | 295   | C | Accrete D3                             |
| Colecalciferol 400unit capsules   | 28                 |    | 185   | C | InVita D3                              |
| Colecalciferol 440unit / Calcium carbonate 1.25g effervescent granules sachets          | 30                 |    | 406   | C | Cacit D3                               |
| Colecalciferol 5,600unit capsules   | 4                  |    | 250   | C | InVita D3                              |
| Colecalciferol 50,000unit capsules  | 3                  |    | 495   | C | InVita D3                              |
| Colecalciferol 50,000units/1ml oral solution unit dose ampoules sugar free              | 3                  |    | 625   | C | InVita D3                              |
| Colecalciferol 800unit / Calcium carbonate 1.25g chewable tablets                       | 30                 |    | 421   | C | Kalcipos-D                             |
| Colecalciferol 800unit / Calcium carbonate 2.5g chewable tablets                        | 30                 |    | 675   | C | Calcichew D3 Once Daily                |
| Colecalciferol 800unit / Calcium phosphate 3.1g oral powder sachets                     | 30                 |    | 432   | C | Calfovit D3                            |
| Colecalciferol 800unit capsules   | 30                 |    | 360   | C | Fultium-D3                             |
| Colecalciferol 800unit tablets  | 30                 |    | 459   | A |  |
| Colecalciferol 880unit / Calcium carbonate 2.5g chewable tablets                        | 30                 |    | 295   | C |  |
| Colesevelam 625mg tablets   | 180                |    | 11532 | C | Cholestagel                            |
| Colestipol 5g granules sachets sugar free   | 30                 |    | 1505  | C | Colestid                               |
| Colestyramine 4g oral powder sachets  | 50                 |    | 1076  | C | Questran                               |
| Colestyramine 4g oral powder sachets sugar free   | 50                 |    | 3330  | A |  |
| Colistimethate 1,662,500unit inhalation powder capsules                                 | 56                 |    | 96880 | C | Colobreathe                            |
| Colistimethate 1million unit powder for nebuliser solution unit dose vials              | ■ 30               |    | 20400 | C | Promixin                               |
| Colistimethate 1million unit powder for solution for injection vials                    | 10                 |    | 1800  | C | Colomycin                              |
| Colistimethate 2million unit powder for solution for injection vials                    | 10                 |    | 3240  | C | Colomycin                              |
| Co-magaldrox 195mg/220mg/5ml oral suspension sugar free                                 | 500                | ml | 299   | C | Mucogel                                |
| Co-magaldrox 200mg/175mg/5ml oral suspension sugar free                                 | 250                | ml | 233   | C | Maalox                                 |
| Conjugated oestrogens 1.25mg tablets  | 84                 |    | 358   | C | Premarin                               |
| Conjugated oestrogens 300microgram / Medroxyprogesterone 1.5mg modified-release tablets | 84                 |    | 652   | C | Premique Low Dose                      |
| Conjugated oestrogens 300microgram tablets  | 84                 |    | 607   | C | Premarin                               |
| Conjugated oestrogens 625microgram tablets  | 84                 |    | 402   | C | Premarin                               |
| Co-simalcite 125mg/500mg/5ml oral suspension sugar free                                 | 500                | ml | 600   | C | Altacite Plus                          |
| Co-tenidone 100mg/25mg tablets  | 28                 |    | 157   | M |  |
| Co-tenidone 50mg/12.5mg tablets   | 28                 |    | 155   | M |  |
| Co-triamterzide 50mg/25mg tablets   | 30                 |    | 95    | C | Dyazide                                |
| Co-trimoxazole 160mg/800mg tablets  | 100                |    | 2348  | A |  |
| Co-trimoxazole 40mg/200mg/5ml oral suspension sugar free                                | ■ 100              | ml | 996   | A |  |
| Co-trimoxazole 80mg/400mg tablets   | 28                 |    | 245   | M |  |
| Co-trimoxazole 80mg/400mg/5ml oral suspension   | ■ 100              | ml | 1096  | A |  |
| Co-trimoxazole 80mg/400mg/5ml solution for infusion ampoules                            | 10                 |    | 4715  | C | Aspen Pharma Trading Ltd               |
| Crotamiton 10% cream  | ■ 30               | g  | 250   | C | Eurax                                  |
|   | ■ 100              | g  | 435   | C | Eurax                                  |
| Cyanocobalamin 1mg tablets  | 30                 |    | 999   | C | Orobalin                               |
| Cyanocobalamin 1mg/1ml solution for injection ampoules                                  | 5                  |    | 1450  | C | Cytamen                                |
| Cyanocobalamin 50microgram tablets  | 50                 |    | 1662  | M |  |
| Cyclizine 50mg tablets  | 100                |    | 669   | M |  |
| Cyclizine 50mg/1ml solution for injection ampoules                                      | 5                  |    | 761   | M |  |
| Cyclopentolate 0.5% eye drops   | ■ 5                | ml | 808   | C | Mydrilate                              |
| Cyclopentolate 0.5% eye drops 0.5ml unit dose preservative free                         | 20                 |    | 1141  | C | Minims                                 |
| Cyclopentolate 1% eye drops   | ■ 5                | ml | 808   | C | Mydrilate                              |
| Cyclopentolate 1% eye drops 0.5ml unit dose preservative free                           | 20                 |    | 1168  | C | Minims                                 |
| Cyclophosphamide 50mg tablets   | 100                |    | 13900 | C | Alliance Healthcare (Distribution) Ltd |

|   |     |       |   |                           |
|---|-----|-------|---|---------------------------|
| Cycloserine 250mg capsules  | 100 | 44289 | A |                           |
| Cyproheptadine 4mg tablets  | 30  | 599   | C | Periactin                 |
| Cyproterone 100mg tablets   | 84  | 7220  | △ | A                         |
| Cyproterone 50mg tablets  | 56  | 3788  | △ | A                         |
| Dabigatran etexilate 110mg capsules   | 60  | 5100  | C | Pradaxa                   |
| Dabigatran etexilate 150mg capsules   | 60  | 5100  | C | Pradaxa                   |
| Dabigatran etexilate 75mg capsules  | 60  | 5100  | C | Pradaxa                   |
| Dalteparin sodium 10,000units/0.4ml solution for injection pre-filled syringes            | 5   | 2823  | C | Fragmin                   |
| Dalteparin sodium 10,000units/1ml solution for injection ampoules                         | 10  | 5122  | C | Fragmin                   |
| Dalteparin sodium 10,000units/1ml solution for injection pre-filled syringes              | 5   | 2823  | C | Fragmin Graduated Syringe |
| Dalteparin sodium 10,000units/4ml solution for injection ampoules                         | 10  | 5122  | C | Fragmin                   |
| Dalteparin sodium 100,000units/4ml solution for injection vials                           | 1   | 4866  | C | Fragmin                   |
| Dalteparin sodium 12,500units/0.5ml solution for injection pre-filled syringes            | 5   | 3529  | C | Fragmin                   |
| Dalteparin sodium 15,000units/0.6ml solution for injection pre-filled syringes            | 5   | 4234  | C | Fragmin                   |
| Dalteparin sodium 18,000units/0.72ml solution for injection pre-filled syringes           | 5   | 5082  | C | Fragmin                   |
| Dalteparin sodium 2,500units/0.2ml solution for injection pre-filled syringes             | 10  | 1858  | C | Fragmin                   |
| Dalteparin sodium 5,000units/0.2ml solution for injection pre-filled syringes             | 10  | 2823  | C | Fragmin                   |
| Dalteparin sodium 7,500units/0.3ml solution for injection pre-filled syringes             | 10  | 4234  | C | Fragmin                   |
| Dantrolene 100mg capsules   | 100 | 4307  | C | Dantrium                  |
| Dantrolene 25mg capsules  | 100 | 1687  | C | Dantrium                  |
| Dapagliflozin 10mg tablets  | 28  | 3659  | C | Forxiga                   |
| Dapagliflozin 5mg / Metformin 1g tablets  | 56  | 3659  | C | Xigduo                    |
| Dapagliflozin 5mg / Metformin 850mg tablets   | 56  | 3659  | C | Xigduo                    |
| Dapagliflozin 5mg tablets   | 28  | 3659  | C | Forxiga                   |
| Dapoxetine 30mg tablets   | 3   | 1471  | C | Priligy                   |
|   | 6   | 2648  | C | Priligy                   |
| Dapoxetine 60mg tablets   | 3   | 1912  | C | Priligy                   |
|   | 6   | 3442  | C | Priligy                   |
| Dapsone 100mg tablets   | 28  | 3257  | ▽ | A                         |
| Dapsone 50mg tablets  | 28  | 1039  | M |                           |
| Darbepoetin alfa 100micrograms/0.5ml solution for injection pre-filled disposable devices | 1   | 14681 | C | Aranesp SureClick         |
| Darbepoetin alfa 100micrograms/0.5ml solution for injection pre-filled syringes           | 4   | 58724 | C | Aranesp                   |
| Darbepoetin alfa 10micrograms/0.4ml solution for injection pre-filled syringes            | 4   | 5872  | C | Aranesp                   |
| Darbepoetin alfa 130micrograms/0.65ml solution for injection pre-filled syringes          | 4   | 76342 | C | Aranesp                   |
| Darbepoetin alfa 150micrograms/0.3ml solution for injection pre-filled disposable devices | 1   | 22022 | C | Aranesp SureClick         |
| Darbepoetin alfa 150micrograms/0.3ml solution for injection pre-filled syringes           | 4   | 88086 | C | Aranesp                   |
| Darbepoetin alfa 20micrograms/0.5ml solution for injection pre-filled disposable devices  | 1   | 2936  | C | Aranesp SureClick         |
| Darbepoetin alfa 20micrograms/0.5ml solution for injection pre-filled syringes            | 4   | 11745 | C | Aranesp                   |
| Darbepoetin alfa 300micrograms/0.6ml solution for injection pre-filled disposable devices | 1   | 44043 | C | Aranesp SureClick         |
| Darbepoetin alfa 300micrograms/0.6ml solution for injection pre-filled syringes           | 1   | 44043 | C | Aranesp                   |
| Darbepoetin alfa 30micrograms/0.3ml solution for injection pre-filled syringes            | 4   | 17617 | C | Aranesp                   |
| Darbepoetin alfa 40micrograms/0.4ml solution for injection pre-filled disposable devices  | 1   | 5872  | C | Aranesp SureClick         |
| Darbepoetin alfa 40micrograms/0.4ml solution for injection pre-filled syringes            | 4   | 23490 | C | Aranesp                   |
| Darbepoetin alfa 500micrograms/1ml solution for injection pre-filled disposable devices   | 1   | 73405 | C | Aranesp SureClick         |
| Darbepoetin alfa 500micrograms/1ml solution for injection pre-filled syringes             | 1   | 73405 | C | Aranesp                   |
| Darbepoetin alfa 50micrograms/0.5ml solution for injection pre-filled syringes            | 4   | 29362 | C | Aranesp                   |



|  |   |     |      |        |   |   |                   |
|--|---|-----|------|--------|---|---|-------------------|
| Darbepoetin alfa 60micrograms/0.3ml solution for injection pre-filled disposable devices | ■ | 1   |      | 8809   |   | C | Aranesp SureClick |
| Darbepoetin alfa 60micrograms/0.3ml solution for injection pre-filled syringes           |   | 4   |      | 35235  |   | C | Aranesp           |
| Darbepoetin alfa 80micrograms/0.4ml solution for injection pre-filled disposable devices | ■ | 1   |      | 11745  |   | C | Aranesp SureClick |
| Darbepoetin alfa 80micrograms/0.4ml solution for injection pre-filled syringes           |   | 4   |      | 46979  |   | C | Aranesp           |
| Darifenacin 15mg modified-release tablets  |   | 28  |      | 2548   |   | C | Emselex           |
| Darifenacin 7.5mg modified-release tablets   |   | 28  |      | 2548   |   | C | Emselex           |
| Darunavir 800mg tablets  |   | 30  |      | 26802  |   | A |                   |
| Dasatinib 100mg tablets  |   | 30  |      | 250496 |   | C | Sprycel           |
| Dasatinib 140mg tablets  |   | 30  |      | 250496 |   | C | Sprycel           |
| Dasatinib 20mg tablets   |   | 60  |      | 125248 |   | C | Sprycel           |
| Dasatinib 50mg tablets   |   | 60  |      | 250496 |   | C | Sprycel           |
| Dasatinib 80mg tablets   |   | 30  |      | 250496 |   | C | Sprycel           |
| Deferasirox 180mg tablets  |   | 30  |      | 25200  |   | C | Exjade            |
| Deferasirox 360mg tablets  |   | 30  |      | 50400  |   | C | Exjade            |
| Deferasirox 90mg tablets   |   | 30  |      | 12600  |   | C | Exjade            |
| Deferiprone 100mg/ml oral solution sugar free  |   | 500 | ml   | 15239  |   | C | Ferriprox         |
| Deferiprone 1g tablets   |   | 50  |      | 13000  |   | C | Ferriprox         |
| Deferiprone 500mg tablets  |   | 100 |      | 13000  |   | C | Ferriprox         |
| Deflazacort 6mg tablets  |   | 60  |      | 1582   |   | C | Calcort           |
| Degarelix 120mg powder and solvent for solution for injection vials                      |   | 2   |      | 26000  |   | C | Firmagon          |
| Degarelix 80mg powder and solvent for solution for injection vials                       | ■ | 1   |      | 12937  |   | C | Firmagon          |
| Demeclocycline 150mg capsules  |   | 28  |      | 23841  |   | C | Advanz Pharma     |
| Denosumab 120mg/1.7ml solution for injection vials                                       | ■ | 1   |      | 30986  |   | C | Xgeva             |
| Denosumab 60mg/1ml solution for injection pre-filled syringes                            | ■ | 1   |      | 18300  |   | C | Prolia            |
| Dequalinium chloride 10mg vaginal tablets  |   | 6   |      | 695    |   | C | Fluomizin         |
| Desferrioxamine 500mg powder for solution for injection vials                            |   | 10  |      | 4663   |   | C | Desferal          |
| Desloratadine 2.5mg/5ml oral solution sugar free   |   | 150 | ml   | 1031   | △ | A |                   |
| Desloratadine 5mg tablets  |   | 30  |      | 152    |   | M |                   |
| Desmopressin 100microgram tablets  | ■ | 90  |      | 6609   | △ | A |                   |
| Desmopressin 10micrograms/dose nasal spray   | ■ | 60  | dose | 3222   |   | M |                   |
| Desmopressin 120microgram oral lyophilisates sugar free                                  |   | 30  |      | 3034   |   | C | DesmoMelt         |
|  |   | 100 |      | 10107  |   | C | DDAVP Melt        |
| Desmopressin 150micrograms/dose nasal spray  | ■ | 25  | dose | 57660  |   | C | Octim             |
| Desmopressin 15micrograms/1ml solution for injection ampoules                            |   | 10  |      | 19220  |   | C | Octim             |
| Desmopressin 200microgram tablets  | ■ | 30  |      | 2871   |   | M |                   |
| Desmopressin 240microgram oral lyophilisates sugar free                                  |   | 30  |      | 6068   |   | C | DesmoMelt         |
| Desmopressin 25microgram oral lyophilisates sugar free                                   |   | 30  |      | 1516   |   | C | Noqdirna          |
| Desmopressin 4micrograms/1ml solution for injection ampoules                             |   | 10  |      | 1316   |   | C | DDAVP             |
| Desmopressin 50microgram oral lyophilisates sugar free                                   |   | 30  |      | 1516   |   | C | Noqdirna          |
| Desmopressin 60microgram oral lyophilisates sugar free                                   |   | 100 |      | 5053   |   | C | DDAVP Melt        |
| Desogestrel 75microgram tablets  |   | 84  |      | 248    |   | M |                   |
| Dexamethasone (base) 3.3mg/1ml solution for injection ampoules                           |   | 10  |      | 2396   | △ | A |                   |
| Dexamethasone (base) 3.8mg/1ml solution for injection vials                              |   | 10  |      | 2000   |   | A |                   |
| Dexamethasone (base) 6.6mg/2ml solution for injection ampoules                           |   | 10  |      | 2382   |   | A |                   |
| Dexamethasone (base) 6.6mg/2ml solution for injection vials                              |   | 5   |      | 2400   |   | C | Pfizer Ltd        |
| Dexamethasone 0.1% / Tobramycin 0.3% eye drops   | ■ | 5   | ml   | 537    |   | C | Tobradex          |
| Dexamethasone 0.1% eye drops   | ■ | 5   | ml   | 142    |   | C | Maxidex           |
|  | ■ | 10  | ml   | 280    |   | C | Maxidex           |
| Dexamethasone 0.1% eye drops 0.4ml unit dose preservative free                           |   | 20  |      | 1048   |   | C | Dropodex          |
| Dexamethasone 0.1% eye drops 0.5ml unit dose preservative free                           |   | 20  |      | 1146   |   | C | Minims            |
| Dexamethasone 0.1% eye drops preservative free   | ■ | 6   | ml   | 975    |   | C | Eythalm           |
| Dexamethasone 10mg/5ml oral solution sugar free  |   | 150 | ml   | 10283  | △ | A |                   |
| Dexamethasone 20mg/5ml oral solution sugar free  |   | 50  | ml   | 4950   |   | C | Advanz Pharma     |
| Dexamethasone 2mg soluble tablets sugar free   |   | 50  |      | 3001   |   | A |                   |
| Dexamethasone 2mg tablets  |   | 50  |      | 493    |   | M |                   |
| Dexamethasone 2mg/5ml oral solution sugar free   |   | 150 | ml   | 4230   |   | C | Dexsol            |
| Dexamethasone 4mg soluble tablets sugar free   |   | 50  |      | 6001   |   | A |                   |

|  |     |     |       |      |                               |                            |
|--|-----|-----|-------|------|-------------------------------|----------------------------|
| Dexamethasone 4mg tablets  | 50  |     | 8335  | A    |                               |                            |
| Dexamethasone 500microgram tablets   | 28  |     | 513   | M    |                               |                            |
| Dexamethasone 8mg soluble tablets sugar free                               | 50  |     | 12001 | A    |                               |                            |
| Dexamfetamine 10mg tablets   | 30  |     | 3978  | C    | Amfexa                        |                            |
| Dexamfetamine 20mg tablets   | 30  |     | 7956  | C    | Amfexa                        |                            |
| Dexamfetamine 5mg tablets  | 28  |     | 2473  | A    |                               |                            |
| Dexamfetamine 5mg/5ml oral solution sugar free                             | 150 | ml  | 11449 | C    | Essential Pharmaceuticals Ltd |                            |
| Dexketoprofen 25mg tablets   | 50  |     | 918   | C    | Keral                         |                            |
| Dexpanthenol 5% ointment   | ■   | 100 | g     | 499  | C                             | Bepanthen Nappy Care       |
| Dextromethorphan 7.5mg/5ml oral solution sugar free                        | 100 | ml  | 233   | C    | Robitussin Dry Cough          |                            |
|  | 250 | ml  | 443   | C    | Robitussin Dry Cough          |                            |
| Diamorphine 100mg powder for solution for injection ampoules               | 5   |     | 4240  | A    |                               |                            |
| Diamorphine 10mg tablets   | 100 |     | 3713  | A    |                               |                            |
| Diamorphine 30mg powder for solution for injection ampoules                | 5   |     | 1654  | ▽    | A                             |                            |
| Diamorphine 500mg powder for solution for injection ampoules               | 5   |     | 18771 | A    |                               |                            |
| Diamorphine 5mg powder for solution for injection ampoules                 | 5   |     | 1281  | A    |                               |                            |
| Diazepam 10mg tablets  | 28  |     | 106   | M    |                               |                            |
| Diazepam 10mg/2.5ml rectal solution tube                                   | 5   |     | 831   | △    | A                             |                            |
| Diazepam 10mg/2ml solution for injection ampoules                          | 10  |     | 650   | A    |                               |                            |
| Diazepam 2.5mg/1.25ml rectal solution tube                                 | 5   |     | 565   | C    | Diazepam RecTubes             |                            |
| Diazepam 2mg tablets   | 28  |     | 97    | M    |                               |                            |
| Diazepam 2mg/5ml oral solution sugar free                                  | 100 | ml  | 5602  | A    |                               |                            |
| Diazepam 2mg/5ml oral suspension   | 100 | ml  | 5556  | A    |                               |                            |
| Diazepam 5mg tablets   | 28  |     | 95    | M    |                               |                            |
| Diazepam 5mg/2.5ml rectal solution tube                                    | 5   |     | 733   | △    | A                             |                            |
| Diazoxide 50mg tablets   | 100 |     | 7255  | C    | Eudemine                      |                            |
| Dibrompropamide 0.15% eye ointment   | ■   | 5   | g     | 415  | C                             | Golden Eye                 |
| Dichlorobenzyl alcohol 1.2mg / Amylmetacresol 600microgram lozenges        | 24  |     | 258   | C    | Strepsils Honey and Lemon     |                            |
| Diclofenac 0.074% mouthwash sugar free                                     | 200 | ml  | 1295  | C    | Morningside Healthcare Ltd    |                            |
| Diclofenac 0.1% eye drops  | ■   | 5   | ml    | 668  | C                             | Voltarol Ophtha Multidose  |
| Diclofenac 0.1% eye drops 0.3ml unit dose preservative free                | 5   |     | 400   | C    | Voltarol Ophtha               |                            |
|  | 40  |     | 3200  | C    | Voltarol Ophtha               |                            |
| Diclofenac 100mg suppositories   | 10  |     | 364   | C    | Voltarol                      |                            |
| Diclofenac 12.5mg suppositories  | 10  |     | 70    | C    | Voltarol                      |                            |
| Diclofenac 140mg medicated plasters  | 2   |     | 599   | C    | Voltarol                      |                            |
| Diclofenac 25mg suppositories  | 10  |     | 124   | C    | Voltarol                      |                            |
| Diclofenac 50mg suppositories  | 10  |     | 204   | C    | Voltarol                      |                            |
| Diclofenac 75mg/1ml solution for injection ampoules                        | 5   |     | 2400  | C    | Akis                          |                            |
| Diclofenac 75mg/3ml solution for injection ampoules                        | 10  |     | 991   | C    | Voltarol I/M                  |                            |
| Diclofenac diethylammonium 1.16% gel                                       | ■   | 100 | g     | 463  | C                             | Voltarol Emulgel           |
| Diclofenac diethylammonium 2.32% gel                                       | ■   | 30  | g     | 461  | C                             | Voltarol 12 Hour Emulgel P |
|  | ■   | 50  | g     | 659  | C                             | Voltarol 12 Hour Emulgel P |
|  | ■   | 100 | g     | 1121 | C                             | Voltarol 12 Hour Emulgel P |
| Diclofenac potassium 25mg tablets  | 28  |     | 386   | C    | Accord Healthcare Ltd         |                            |
| Diclofenac potassium 50mg tablets  | 28  |     | 741   | A    |                               |                            |
| Diclofenac sodium 1% gel   | ■   | 100 | g     | 463  | A                             |                            |
| Diclofenac sodium 100mg modified-release capsules                          | 28  |     | 820   | C    | Diclomax Retard               |                            |
| Diclofenac sodium 100mg modified-release tablets                           | 28  |     | 1133  | C    | Dicloflex Retard              |                            |
| Diclofenac sodium 25mg gastro-resistant tablets                            | 28  |     | 135   | M    |                               |                            |
| Diclofenac sodium 3% gel   | ■   | 50  | g     | 3830 | C                             | Solaraze                   |
| Diclofenac sodium 50mg gastro-resistant / Misoprostol 200microgram tablets | 60  |     | 1198  | C    |                               |                            |
| Diclofenac sodium 50mg gastro-resistant tablets                            | 28  |     | 133   | M    |                               |                            |
| Diclofenac sodium 75mg gastro-resistant / Misoprostol 200microgram tablets | 60  |     | 1583  | C    |                               |                            |
| Diclofenac sodium 75mg gastro-resistant modified-release capsules          | 56  |     | 800   | C    | Motifene 75mg                 |                            |

|   |     |     |       |      |                   |                   |
|---|-----|-----|-------|------|-------------------|-------------------|
| Diclofenac sodium 75mg modified-release capsules  | 56  |     | 1140  | C    | Diclomax SR       |                   |
| Diclofenac sodium 75mg modified-release tablets   | 56  |     | 1756  | C    | Dicloflex         |                   |
| Dicycloverine 10mg tablets  | 100 |     | 21294 | ▽    | A                 |                   |
| Dicycloverine 10mg/5ml oral solution  | 120 | ml  | 17414 |      | A                 |                   |
| Dicycloverine 20mg tablets  | 84  |     | 22713 | ▽    | A                 |                   |
| Dienogest 2mg tablets   | 28  |     | 2068  | C    | Zalkya            |                   |
| Diethylamine salicylate 10% cream   | ■   | 50  | g     | 149  | C                 | Algesal           |
| Diethylstilbestrol 1mg tablets  | 28  |     | 11507 | ▽    | A                 |                   |
| Diflucortolone 0.1% cream   | ■   | 30  | g     | 398  | C                 | Nerisone          |
| Diflucortolone 0.1% oily cream  | ■   | 30  | g     | 495  | C                 | Nerisone Oily     |
| Diflucortolone 0.1% ointment  | ■   | 30  | g     | 398  | C                 | Nerisone          |
| Diflucortolone 0.3% oily cream  | ■   | 15  | g     | 470  | C                 | Nerisone Forte    |
| Diflucortolone 0.3% ointment  | ■   | 15  | g     | 470  | C                 | Nerisone Forte    |
| Digoxin 125microgram tablets  | 28  |     | 151   | M    |                   |                   |
| Digoxin 250microgram tablets  | 28  |     | 153   | M    |                   |                   |
| Digoxin 50micrograms/ml oral solution   | ■   | 60  | ml    | 535  | C                 | Lanoxin PG Elixir |
| Digoxin 62.5microgram tablets   | 28  |     | 150   | M    |                   |                   |
| Dihydrocodeine 120mg modified-release tablets   | 56  |     | 1095  | C    | DHC Continus      |                   |
| Dihydrocodeine 30mg tablets   | 28  |     | 150   | M    |                   |                   |
|   | 100 |     | 536   | M    |                   |                   |
| Dihydrocodeine 60mg modified-release tablets  | 56  |     | 520   | C    | DHC Continus      |                   |
| Dihydrocodeine 90mg modified-release tablets  | 56  |     | 866   | C    | DHC Continus      |                   |
| Diltiazem 120mg modified-release capsules   | 28  |     | 914   | C    | Adizem-XL         |                   |
|   | 56  |     | 945   | C    | Adizem-SR         |                   |
| Diltiazem 120mg modified-release tablets  | 56  |     | 715   | C    | Tildiem Retard    |                   |
| Diltiazem 180mg modified-release capsules   | 28  |     | 1037  | C    | Adizem-XL         |                   |
|   | 56  |     | 1415  | C    | Adizem-SR         |                   |
| Diltiazem 200mg modified-release capsules   | 28  |     | 629   | C    | Tildiem LA 200    |                   |
| Diltiazem 240mg modified-release capsules   | 28  |     | 1152  | C    | Adizem-XL         |                   |
| Diltiazem 300mg modified-release capsules   | 28  |     | 901   | C    | Tildiem LA        |                   |
| Diltiazem 360mg modified-release capsules   | 28  |     | 1385  | C    | Viazem XL         |                   |
| Diltiazem 60mg modified-release tablets   | 84  |     | 2005  | M    |                   |                   |
| Diltiazem 90mg modified-release capsules  | 56  |     | 850   | C    | Adizem-SR         |                   |
| Diltiazem 90mg modified-release tablets   | 56  |     | 727   | C    | Tildiem Retard    |                   |
| Dimethyl fumarate 120mg gastro-resistant tablets  | 90  |     | 19080 | C    | Skilarence        |                   |
|   | 180 |     | 38160 | C    | Skilarence        |                   |
| Dimethyl fumarate 30mg gastro-resistant tablets   | 42  |     | 8904  | C    | Skilarence        |                   |
| Dimeticone 10% / Cetrimide 0.3% cream   | ■   | 50  | g     | 465  | C                 | Siopel            |
| Dimeticone 22% / Benzalkonium chloride 0.1% cream   | ■   | 100 | g     | 88   | C                 | Conotrane         |
| Dimeticone 4% cutaneous spray   | ■   | 120 | ml    | 785  | C                 | Hedrin            |
| Dimeticone 4% lotion  | ■   | 50  | ml    | 328  | C                 | Hedrin            |
|   | ■   | 150 | ml    | 762  | C                 | Hedrin            |
| Diphenhydramine 10mg/5ml oral solution  | 150 | ml  | 2600  | C    | Histergan         |                   |
| Diphenhydramine 25mg tablets  | 20  |     | 316   | C    | Nytol             |                   |
| Diphenhydramine 50mg tablets  | 20  |     | 446   | C    | Nytol One-A-Night |                   |
| Diphtheria (low dose) / Tetanus / Pertussis (acellular component) / Poliomyelitis (inactivated) vaccine (adsorbed) suspension for injection 0.5ml pre-filled syringes | ■   | 1   |       | 2000 | C                 | Repevax           |
| Diphtheria / Tetanus / Poliomyelitis (inactivated) vaccine (adsorbed) suspension for injection 0.5ml pre-filled syringes  | ■   | 1   |       | 780  | C                 | Revaxis           |
| Dipipanone 10mg / Cyclizine 30mg tablets  | 50  |     | 44065 | C    | Advanz Pharma     |                   |
| Dipyridamole 100mg tablets  | 84  |     | 524   | M    |                   |                   |
| Dipyridamole 200mg modified-release / Aspirin 25mg capsules   | 60  |     | 1350  | C    | Molita            |                   |
| Dipyridamole 200mg modified-release capsules  | ■   | 60  |       | 1315 | C                 | Attia             |
| Dipyridamole 200mg/5ml oral suspension sugar free   | 150 | ml  | 13353 | A    |                   |                   |
| Dipyridamole 25mg tablets   | 84  |     | 767   | A    |                   |                   |
| Dipyridamole 50mg/5ml oral suspension sugar free  | 150 | ml  | 4301  | A    |                   |                   |
| Disopyramide 100mg capsules   | 84  |     | 2651  | A    |                   |                   |
| Disopyramide 150mg capsules   | 84  |     | 3309  | A    |                   |                   |
| Disopyramide 250mg modified-release tablets   | 60  |     | 3208  | C    | Rythmodan Retard  |                   |
| Disulfiram 200mg tablets  | 50  |     | 10295 | △    | A                 |                   |
| Dithranol 0.1% cream  | ■   | 50  | g     | 377  | C                 | Dithrocream       |
| Dithranol 0.25% cream   | ■   | 50  | g     | 404  | C                 | Dithrocream       |
| Dithranol 0.5% cream  | ■   | 50  | g     | 466  | C                 | Dithrocream       |
| Dithranol 1% cream  | ■   | 50  | g     | 542  | C                 | Dithrocream       |
| Docusate 100mg capsules   | 30  |     | 209   | C    | Diocyl            |                   |
| Docusate 12.5mg/5ml oral solution sugar free  | 300 | ml  | 1269  | A    |                   |                   |
| Docusate 120mg/10g enema  | 6   |     | 2800  | C    | Norgalax          |                   |
| Docusate 50mg/5ml oral solution sugar free  | 300 | ml  | 1299  | A    |                   |                   |
| Docusate sodium 0.5% ear drops  | ■   | 10  | ml    | 195  | C                 | Waxsol            |
| Dolutegravir 10mg tablets   | ■   | 30  |       | 9975 | C                 | Tivicay           |
| Dolutegravir 25mg tablets   | 30  |     | 24938 | C    | Tivicay           |                   |

|  |     |      |        |      |              |              |         |
|--|-----|------|--------|------|--------------|--------------|---------|
| Dolutegravir 50mg tablets  | 30  |      | 49875  | C    | Tivicay      |              |         |
| Domperidone 10mg tablets   | 30  |      | 91     | M    |              |              |         |
|  | 100 |      | 303    | M    |              |              |         |
| Domperidone 1mg/ml oral suspension sugar free                                    | 200 | ml   | 2485   | A    |              |              |         |
| Donepezil 10mg orodispersible tablets sugar free                                 | 28  |      | 5635   | ▽    | A            |              |         |
| Donepezil 10mg tablets   | 28  |      | 175    | M    |              |              |         |
| Donepezil 1mg/ml oral solution sugar free  | 150 | ml   | 5373   | A    |              |              |         |
| Donepezil 5mg orodispersible tablets sugar free                                  | 28  |      | 1139   | △    | A            |              |         |
| Donepezil 5mg tablets  | 28  |      | 119    | M    |              |              |         |
| Dornase alfa 2.5mg/2.5ml nebuliser liquid ampoules                               | 30  |      | 49643  | C    | Pulmozyme    |              |         |
| Dorzolamide 20mg/ml / Timolol 5mg/ml eye drops                                   | ■   | 5    | ml     | 223  | M            |              |         |
| Dorzolamide 20mg/ml / Timolol 5mg/ml eye drops 0.2ml unit dose preservative free |     | 60   |        | 3340 | △            | A            |         |
|  |     | (12x |        |      |              |              |         |
|  |     | ■    |        |      |              |              |         |
|  |     | 5)   |        |      |              |              |         |
| Dorzolamide 20mg/ml / Timolol 5mg/ml eye drops preservative free                 | ■   | 5    | ml     | 814  | ▽            | C            | Eylamdo |
| Dorzolamide 20mg/ml eye drops  | ■   | 5    | ml     | 223  | M            |              |         |
| Dorzolamide 20mg/ml eye drops 0.2ml unit dose preservative free                  |     | 60   |        | 2418 | C            | Trusopt      |         |
|  |     | (4x  |        |      |              |              |         |
|  |     | ■    |        |      |              |              |         |
|  |     | 15)  |        |      |              |              |         |
| Dorzolamide 20mg/ml eye drops preservative free                                  | ■   | 5    | ml     | 709  | ▽            | C            | Eydelto |
| Dosulepin 25mg capsules  | 28  |      | 133    | M    |              |              |         |
| Dosulepin 75mg tablets   | 28  |      | 1522   | M    |              |              |         |
| Doxazosin 1mg tablets  | 28  |      | 97     | M    |              |              |         |
| Doxazosin 2mg tablets  | 28  |      | 103    | M    |              |              |         |
| Doxazosin 4mg modified-release tablets   | 28  |      | 500    | C    | Cardura XL   |              |         |
| Doxazosin 4mg tablets  | 28  |      | 117    | M    |              |              |         |
| Doxazosin 8mg modified-release tablets   | 28  |      | 998    | C    | Cardura XL   |              |         |
| Doxazosin 8mg tablets  | 28  |      | 626    | A    |              |              |         |
| Doxepin 25mg capsules  | 28  |      | 9700   | A    |              |              |         |
| Doxepin 5% cream   | ■   | 30   | g      | 1366 | C            | Xepin        |         |
| Doxepin 50mg capsules  | 28  |      | 15400  | A    |              |              |         |
| Doxycycline 100mg capsules   | 8   |      | 119    | M    |              |              |         |
| Doxycycline 100mg dispersible tablets sugar free                                 | 8   |      | 491    | C    | Vibramycin-D |              |         |
| Doxycycline 20mg tablets   | 56  |      | 1730   | C    | Periostat    |              |         |
| Doxycycline 40mg modified-release capsules                                       | 14  |      | 799    | C    | Efracea      |              |         |
| Doxycycline 50mg capsules  | 28  |      | 188    | M    |              |              |         |
| Doxylamine 10mg / Pyridoxine 10mg gastro-resistant tablets                       | 20  |      | 2850   | C    | Xonvea       |              |         |
| Dronabinol 2.7mg/dose / Cannabidiol 2.5mg/dose oromucosal spray                  | 270 | dose | 30000  | C    | Sativex      |              |         |
|  |     | (3x  |        |      |              |              |         |
|  |     | ■    |        |      |              |              |         |
|  |     | 90)  |        |      |              |              |         |
| Dronedarone 400mg tablets  | 20  |      | 2250   | C    | Multaq       |              |         |
| Dulaglutide 0.75mg/0.5ml solution for injection pre-filled disposable devices    | 4   |      | 7325   | C    | Trulicity    |              |         |
| Dulaglutide 1.5mg/0.5ml solution for injection pre-filled disposable devices     | 4   |      | 7325   | C    | Trulicity    |              |         |
| Dulaglutide 3mg/0.5ml solution for injection pre-filled disposable devices       | 4   |      | 7325   | C    | Trulicity    |              |         |
| Dulaglutide 4.5mg/0.5ml solution for injection pre-filled disposable devices     | 4   |      | 7325   | C    | Trulicity    |              |         |
| Duloxetine 20mg gastro-resistant capsules  | 28  |      | 840    | M    |              |              |         |
| Duloxetine 30mg gastro-resistant capsules  | 28  |      | 255    | M    |              |              |         |
| Duloxetine 40mg gastro-resistant capsules  | 56  |      | 1273   | M    |              |              |         |
| Duloxetine 60mg gastro-resistant capsules  | 28  |      | 338    | M    |              |              |         |
| Dutasteride 500microgram capsules  | 30  |      | 288    | M    |              |              |         |
| Econazole 1% cream   | ■   | 30   | g      | 378  | C            |              |         |
| Econazole 150mg pessaries  | ■   | 3    |        | 417  | C            | Gyno-Pevaryl |         |
| Edoxaban 15mg tablets  | 10  |      | 1750   | C    | Lixiana      |              |         |
| Edoxaban 30mg tablets  | 28  |      | 4900   | C    | Lixiana      |              |         |
| Edoxaban 60mg tablets  | 28  |      | 4900   | C    | Lixiana      |              |         |
| Eflornithine 11.5% cream   | ■   | 60   | g      | 5687 | C            | Vaniqa       |         |
| Eicosapentaenoic acid 460mg / Docosahexaenoic acid 380mg capsules                | 28  |      | 1424   | C    | Omacor       |              |         |
| Eletriptan 20mg tablets  | 6   |      | 2250   | C    | Relpax       |              |         |
| Eletriptan 40mg tablets  | 6   |      | 2250   | C    | Relpax       |              |         |
| Eltrombopag 25mg tablets   | 28  |      | 77000  | C    | Revolade     |              |         |
| Eltrombopag 50mg tablets   | 28  |      | 154000 | C    | Revolade     |              |         |
| Eltrombopag 75mg tablets   | 28  |      | 231000 | C    | Revolade     |              |         |
| Empagliflozin 10mg / Linagliptin 5mg tablets                                     | 28  |      | 5588   | C    | Glyxambi     |              |         |
| Empagliflozin 10mg tablets   | 28  |      | 3659   | C    | Jardiance    |              |         |
| Empagliflozin 12.5mg / Metformin 1g tablets                                      | 56  |      | 3659   | C    | Synjardy     |              |         |
| Empagliflozin 12.5mg / Metformin 850mg tablets                                   | 56  |      | 3659   | C    | Synjardy     |              |         |
| Empagliflozin 25mg / Linagliptin 5mg tablets                                     | 28  |      | 5588   | C    | Glyxambi     |              |         |

|  |         |        |     |             |
|--|---------|--------|-----|-------------|
| Empagliflozin 25mg tablets   | 28      | 3659   | C   | Jardiance   |
| Empagliflozin 5mg / Metformin 1g tablets                                   | 56      | 3659   | C   | Synjardy    |
| Empagliflozin 5mg / Metformin 850mg tablets                                | 56      | 3659   | C   | Synjardy    |
| Emtricitabine 200mg / Tenofovir 245mg tablets                              | 30      | 35573  | C   | Truvada     |
| Emtricitabine 200mg / Tenofovir alafenamide 10mg tablets                   | ■ 30    | 35573  | C   | Descovy     |
| Emtricitabine 200mg / Tenofovir alafenamide 25mg tablets                   | ■ 30    | 35573  | C   | Descovy     |
| Enalapril 10mg tablets   | 28      | 609    | M   |             |
| Enalapril 2.5mg tablets  | 28      | 763    | M   |             |
| Enalapril 20mg / Hydrochlorothiazide 12.5mg tablets                        | 28      | 1999   | A   |             |
| Enalapril 20mg tablets   | 28      | 1166   | M   |             |
| Enalapril 5mg tablets  | 28      | 251    | M   |             |
| Enoxaparin sodium 100mg/1ml solution for injection pre-filled syringes     | 10      | 7230   | C   |             |
| Enoxaparin sodium 120mg/0.8ml solution for injection pre-filled syringes   | 10      | 8793   | C   |             |
| Enoxaparin sodium 150mg/1ml solution for injection pre-filled syringes     | 10      | 9991   | C   |             |
| Enoxaparin sodium 20mg/0.2ml solution for injection pre-filled syringes    | 10      | 2086   | C   |             |
| Enoxaparin sodium 300mg/3ml solution for injection vials                   | ■ 1     | 2133   | C   |             |
| Enoxaparin sodium 40mg/0.4ml solution for injection pre-filled syringes    | 10      | 3027   | C   |             |
| Enoxaparin sodium 60mg/0.6ml solution for injection pre-filled syringes    | 10      | 3926   | C   |             |
| Enoxaparin sodium 80mg/0.8ml solution for injection pre-filled syringes    | 10      | 5513   | C   |             |
| Entacapone 200mg tablets   | 30      | 442    | M   |             |
| Entecavir 1mg tablets  | 30      | 36326  | C   | Baraclude   |
| Entecavir 500microgram tablets   | 30      | 36326  | C   | Baraclude   |
| Entecavir 50micrograms/ml oral solution sugar free                         | 210 ml  | 42380  | C   | Baraclude   |
| Enzalutamide 40mg tablets  | 112     | 273467 | C   | Xtandi      |
| Ephedrine 0.5% nasal drops   | ■ 10 ml | 190    | A   |             |
| Ephedrine 1% nasal drops   | ■ 10 ml | 194    | A   |             |
| Ephedrine 30mg/1ml solution for injection ampoules                         | 10      | 6962   | A   |             |
| Ephedrine hydrochloride 15mg / Chlorphenamine 10mg tablets                 | 10      | 1100   | C   | Haymine     |
| Ephedrine hydrochloride 15mg tablets                                       | 28      | 8323   | △ A |             |
| Ephedrine hydrochloride 30mg tablets                                       | 28      | 12653  | △ A |             |
| Epinastine 500micrograms/ml eye drops                                      | ■ 5 ml  | 990    | C   | Relestat    |
| Eplerenone 25mg tablets  | 28      | 865    | M   |             |
| Eplerenone 50mg tablets  | 28      | 1053   | M   |             |
| Epoetin alfa 1,000units/0.5ml solution for injection pre-filled syringes   | 6       | 3318   | C   | Eprex       |
| Epoetin alfa 10,000units/1ml solution for injection pre-filled syringes    | 6       | 33185  | C   | Eprex       |
| Epoetin alfa 2,000units/0.5ml solution for injection pre-filled syringes   | 6       | 6637   | C   | Eprex       |
| Epoetin alfa 20,000units/0.5ml solution for injection pre-filled syringes  | ■ 1     | 11062  | C   | Eprex       |
| Epoetin alfa 3,000units/0.3ml solution for injection pre-filled syringes   | 6       | 9955   | C   | Eprex       |
| Epoetin alfa 30,000units/0.75ml solution for injection pre-filled syringes | ■ 1     | 19911  | C   | Eprex       |
| Epoetin alfa 4,000units/0.4ml solution for injection pre-filled syringes   | 6       | 13274  | C   | Eprex       |
| Epoetin alfa 40,000units/1ml solution for injection pre-filled syringes    | ■ 1     | 26548  | C   | Eprex       |
| Epoetin alfa 5,000units/0.5ml solution for injection pre-filled syringes   | 6       | 16592  | C   | Eprex       |
| Epoetin alfa 6,000units/0.6ml solution for injection pre-filled syringes   | 6       | 19911  | C   | Eprex       |
| Epoetin alfa 8,000units/0.8ml solution for injection pre-filled syringes   | 6       | 26548  | C   | Eprex       |
| Epoetin beta 10,000units/0.6ml solution for injection pre-filled syringes  | 6       | 42085  | C   | NeoRecormon |
| Epoetin beta 2,000units/0.3ml solution for injection pre-filled syringes   | 6       | 8417   | C   | NeoRecormon |
| Epoetin beta 20,000units/0.6ml solution for injection pre-filled syringes  | 6       | 84171  | C   | NeoRecormon |
| Epoetin beta 3,000units/0.3ml solution for injection pre-filled syringes   | 6       | 12625  | C   | NeoRecormon |
| Epoetin beta 30,000units/0.6ml solution for injection pre-filled syringes  | 4       | 84171  | C   | NeoRecormon |
| Epoetin beta 4,000units/0.3ml solution for injection pre-filled syringes   | 6       | 16834  | C   | NeoRecormon |

|  |     |     |       |      |                  |                  |
|--|-----|-----|-------|------|------------------|------------------|
| Epoetin beta 5,000units/0.3ml solution for injection pre-filled syringes   | 6   |     | 21042 | C    | NeoRecormon      |                  |
| Epoetin beta 500units/0.3ml solution for injection pre-filled syringes     | 6   |     | 2105  | C    | NeoRecormon      |                  |
| Epoetin beta 6,000units/0.3ml solution for injection pre-filled syringes   | 6   |     | 25250 | C    | NeoRecormon      |                  |
| Epoetin zeta 1,000units/0.3ml solution for injection pre-filled syringes   | 6   |     | 2885  | C    | Retacrit         |                  |
| Epoetin zeta 10,000units/1ml solution for injection pre-filled syringes    | 6   |     | 28848 | C    | Retacrit         |                  |
| Epoetin zeta 2,000units/0.6ml solution for injection pre-filled syringes   | 6   |     | 5770  | C    | Retacrit         |                  |
| Epoetin zeta 20,000units/0.5ml solution for injection pre-filled syringes  | ■   | 1   | 9616  | C    | Retacrit         |                  |
| Epoetin zeta 3,000units/0.9ml solution for injection pre-filled syringes   | 6   |     | 8655  | C    | Retacrit         |                  |
| Epoetin zeta 30,000units/0.75ml solution for injection pre-filled syringes | ■   | 1   | 14425 | C    | Retacrit         |                  |
| Epoetin zeta 4,000units/0.4ml solution for injection pre-filled syringes   | 6   |     | 11540 | C    | Retacrit         |                  |
| Epoetin zeta 40,000units/1ml solution for injection pre-filled syringes    | ■   | 1   | 19332 | C    | Retacrit         |                  |
| Epoetin zeta 5,000units/0.5ml solution for injection pre-filled syringes   | 6   |     | 14425 | C    | Retacrit         |                  |
| Epoetin zeta 6,000units/0.6ml solution for injection pre-filled syringes   | 6   |     | 17309 | C    | Retacrit         |                  |
| Epoetin zeta 8,000units/0.8ml solution for injection pre-filled syringes   | 6   |     | 23079 | C    | Retacrit         |                  |
| Eprosartan 300mg tablets   | 28  |     | 731   | C    | Teveten          |                  |
| Eprosartan 400mg tablets   | 56  |     | 2339  | A    |                  |                  |
| Eprosartan 600mg tablets   | 28  |     | 1431  | C    | Teveten          |                  |
| Erdosteine 300mg capsules  | 20  |     | 500   | C    | Erdotin          |                  |
| Erenumab 70mg/1ml solution for injection pre-filled disposable devices     | ■   | 1   | 38650 | C    | Aimovig          |                  |
| Ergocalciferol 300,000units/1ml solution for injection ampoules            | 10  |     | 9351  | A    |                  |                  |
| Ertapenem 1g powder for solution for infusion vials                        | ■   | 1   | 3165  | C    | Invanz           |                  |
| Ertugliflozin 15mg tablets   | 28  |     | 2940  | C    | Steglatro        |                  |
| Ertugliflozin 5mg tablets  | 28  |     | 2940  | C    | Steglatro        |                  |
| Erythromycin 250mg gastro-resistant tablets                                | 28  |     | 243   | M    |                  |                  |
| Erythromycin 40mg/ml / Zinc acetate 12mg/ml lotion                         | ■   | 30  | ml    | 925  | C                | Zineryt          |
|  | ■   | 90  | ml    | 2002 | C                | Zineryt          |
| Erythromycin ethyl succinate 125mg/5ml oral suspension                     | ●   | 100 | ml    | 581  | A                |                  |
| Erythromycin ethyl succinate 125mg/5ml oral suspension sugar free          | ●   | 100 | ml    | 583  | A                |                  |
| Erythromycin ethyl succinate 250mg/5ml oral suspension                     | ●   | 100 | ml    | 951  | ▽                | A                |
| Erythromycin ethyl succinate 250mg/5ml oral suspension sugar free          | ●   | 100 | ml    | 889  | A                |                  |
| Erythromycin ethyl succinate 500mg tablets                                 | 28  |     | 1078  | C    | Erythroped A     |                  |
| Erythromycin ethyl succinate 500mg/5ml oral suspension                     | ●   | 100 | ml    | 1573 | A                |                  |
| Erythromycin ethyl succinate 500mg/5ml oral suspension sugar free          | ●   | 140 | ml    | 1056 | C                | Erythroped Forte |
| Erythromycin stearate 250mg tablets  | 100 |     | 1820  | C    | Erythrocin       |                  |
| Erythromycin stearate 500mg tablets  | 100 |     | 3640  | C    | Erythrocin 500   |                  |
| Escitalopram 10mg tablets  | 28  |     | 140   | M    |                  |                  |
| Escitalopram 20mg tablets  | 28  |     | 155   | M    |                  |                  |
| Escitalopram 20mg/ml oral drops sugar free                                 | ■   | 15  | ml    | 2016 | C                | Cipralext        |
| Escitalopram 5mg tablets   | 28  |     | 133   | M    |                  |                  |
| Eslicarbazepine 200mg tablets  | 60  |     | 6800  | C    | Zebinix          |                  |
| Eslicarbazepine 50mg/1ml oral suspension sugar free                        | 200 |     | ml    | 5667 | C                | Zebinix          |
| Eslicarbazepine 800mg tablets  | 30  |     | 13600 | C    | Zebinix          |                  |
| Esomeprazole 10mg gastro-resistant granules sachets                        | 28  |     | 2519  | C    | Nexium           |                  |
| Esomeprazole 20mg gastro-resistant capsules                                | 28  |     | 340   | M    |                  |                  |
| Esomeprazole 20mg gastro-resistant tablets                                 | 28  |     | 420   | M    |                  |                  |
| Esomeprazole 40mg gastro-resistant capsules                                | 28  |     | 381   | M    |                  |                  |
| Esomeprazole 40mg gastro-resistant tablets                                 | 28  |     | 433   | M    |                  |                  |
| Estradiol 0.06% gel (750microgram per actuation)                           | ■   | 80  | g     | 480  | C                | Oestrogel        |
| Estradiol 1.53mg/dose transdermal spray                                    | ■   | 56  | dose  | 690  | C                | Lenzetto         |
| Estradiol 1.5mg / Nomegestrol 2.5mg tablets                                | 84  |     | 1980  | C    | Zoely            |                  |
| Estradiol 100micrograms/24hours transdermal patches                        | 4   |     | 728   | C    | FemSeven 100     |                  |
|  | 8   |     | 428   | C    | Evorel 100       |                  |
|  | 12  |     | 2070  | C    | Progynova TS     |                  |
|  | 24  |     | 1999  | C    | Estraderm MX 100 |                  |
| Estradiol 10microgram pessaries  | 24  |     | 1672  | C    | Vagifem          |                  |

|  |         |    |       |   |                    |
|--|---------|----|-------|---|--------------------|
| Estradiol 1mg / Dydrogesterone 5mg tablets   | 84      |    | 2443  | C | Femoston-conti     |
| Estradiol 1mg / Norethisterone acetate 500microgram tablets  | 84      |    | 1320  | C | Kliovance          |
|  | (3x 28) |    |       |   |                    |
| Estradiol 1mg gel sachets  | 28      |    | 585   | C | Sandrena           |
| Estradiol 1mg tablets  | 84      |    | 506   | C | Elleste Solo       |
| Estradiol 25micrograms/24hours transdermal patches   | 8       |    | 342   | C | Evorel 25          |
|  | 24      |    | 1646  | C | Estraderm MX 25    |
| Estradiol 2mg / Norethisterone acetate 1mg tablets   | 84      |    | 1702  | C | Elleste Duet Conti |
| Estradiol 2mg tablets  | 84      |    | 506   | C | Elleste Solo       |
| Estradiol 37.5micrograms/24hours transdermal patches   | 8       |    | 600   | C | Estradot           |
| Estradiol 40micrograms/24hours transdermal patches   | 8       |    | 519   | C | Elleste Solo MX 40 |
| Estradiol 500microgram gel sachets   | 28      |    | 508   | C | Sandrena           |
| Estradiol 500micrograms / Dydrogesterone 2.5mg tablets   | 84      |    | 2443  | C | Femoston-conti     |
| Estradiol 50micrograms/24hours / Levonorgestrel 7micrograms/24hours transdermal patches            | 4       |    | 1548  | C | FemSeven Conti     |
|  | 12      |    | 4412  | C | FemSeven Conti     |
| Estradiol 50micrograms/24hours / Norethisterone 170micrograms/24hours transdermal patches          | 24      |    | 3722  | C | Evorel Conti       |
| Estradiol 50micrograms/24hours transdermal patches   | 4       |    | 604   | C | FemSeven 50        |
|  | 8       |    | 388   | C | Evorel 50          |
|  | 12      |    | 1802  | C | FemSeven 50        |
|  | 24      |    | 1166  | C | Evorel 50          |
| Estradiol 7.5micrograms/24hours vaginal delivery system  | 1       |    | 3142  | C | Estring            |
| Estradiol 75micrograms/24hours transdermal patches   | 8       |    | 412   | C | Evorel 75          |
| Estradiol 80micrograms/24hours transdermal patches   | 8       |    | 599   | C | Elleste Solo MX 80 |
| Estradiol valerate 1mg / Medroxyprogesterone 2.5mg tablets   | 84      |    | 2058  | C | Indivina           |
| Estradiol valerate 1mg / Medroxyprogesterone 5mg tablets   | 84      |    | 2058  | C | Indivina           |
| Estradiol valerate 1mg tablets   | 84      |    | 730   | C | Progynova          |
| Estradiol valerate 2mg / Medroxyprogesterone 5mg tablets   | 84      |    | 2058  | C | Indivina           |
| Estradiol valerate 2mg tablets   | 84      |    | 730   | C | Progynova          |
| Estramustine 140mg capsules  | 100     |    | 17128 | C | Estracyt           |
| Estriol 0.01% cream with applicator  | 1       |    | 2508  | A |                    |
| Estriol 0.1% cream   | 15      | g  | 445   | C | Ovestin            |
| Estriol 30microgram pessaries  | 24      |    | 1338  | C | Imvaggis           |
| Estriol 50micrograms/g vaginal gel with applicator   | 30      | g  | 1890  | C | Blissel            |
| Etanercept 25mg/0.5ml solution for injection pre-filled syringes                                   | 4       |    | 35750 | C | Enbrel             |
| Etanercept 50mg/1ml solution for injection pre-filled disposable devices                           | 4       |    | 71500 | C |                    |
| Etanercept 50mg/1ml solution for injection pre-filled syringes                                     | 4       |    | 71500 | C | Enbrel             |
| Ethambutol 100mg tablets   | 56      |    | 1151  | A |                    |
| Ethambutol 400mg tablets   | 56      |    | 4274  | A |                    |
| Ethanol 90% including duty   | 100     | ml | 1626  | C | J M Loveridge Ltd  |
| Ethinylestradiol 2.7mg / Etonogestrel 11.7mg vaginal delivery system                               | 3       |    | 2970  | C | NuvaRing           |
| Ethinylestradiol 20microgram / Desogestrel 150microgram tablets                                    | 63      |    | 508   | C | Gedarel            |
| Ethinylestradiol 20microgram / Drospirenone 3mg tablets  | 84      |    | 1470  | C | Eloine             |
| Ethinylestradiol 20microgram / Gestodene 75microgram tablets                                       | 63      |    | 885   | C | Femodette          |
| Ethinylestradiol 30microgram / Desogestrel 150microgram tablets                                    | 63      |    | 419   | C | Gedarel            |
| Ethinylestradiol 30microgram / Drospirenone 3mg tablets  | 63      |    | 1470  | C | Yasmin             |
| Ethinylestradiol 30microgram / Gestodene 75microgram tablets                                       | 63      |    | 673   | C | Femodene           |
| Ethinylestradiol 30microgram / Levonorgestrel 150microgram tablets                                 | 63      |    | 282   | C |                    |
| Ethinylestradiol 33.9micrograms/24hours / Norelgestromin 203micrograms/24hours transdermal patches | 9       |    | 1951  | C | Evra               |
| Ethinylestradiol 35microgram / Norethisterone 1mg tablets  | 63      |    | 228   | C | Norimin            |
| Ethinylestradiol 35microgram / Norethisterone 500microgram tablets                                 | 63      |    | 199   | C | Brevinor           |
| Ethinylestradiol 35microgram / Norgestimate 250microgram tablets                                   | 63      |    | 465   | C | Cilique            |
| Ethosuximide 250mg capsules  | 56      |    | 19429 | △ | A                  |
| Ethosuximide 250mg/5ml oral solution   | 200     | ml | 17300 | A |                    |

|   |                      |      |       |   |                          |
|---|----------------------|------|-------|---|--------------------------|
| Ethosuximide 250mg/5ml oral solution sugar free   | 250<br>(2x<br>■ 125) | ml   | 23090 | △ | A                        |
| Etodolac 600mg modified-release tablets   | 30                   |      | 1550  |   | C Lodine SR              |
| Etonogestrel 68mg implant   | ■ 1                  |      | 8343  |   | C Nexplanon              |
| Etoricoxib 120mg tablets  | 28                   |      | 1718  | △ | A                        |
| Etoricoxib 30mg tablets   | 28                   |      | 1150  | △ | A                        |
| Etoricoxib 60mg tablets   | 28                   |      | 288   |   | M                        |
| Etoricoxib 90mg tablets   | 28                   |      | 619   |   | M                        |
| Eucalyptus oil liquid   | 500                  | ml   | 1885  |   | C J M Loveridge Ltd      |
| Evolocumab 140mg/1ml solution for injection pre-filled disposable devices                                     | 2                    |      | 34020 |   | C Repatha SureClick      |
| Exemestane 25mg tablets   | 30                   |      | 1299  |   | M                        |
| Exenatide 10micrograms/0.04ml solution for injection 2.4ml pre-filled disposable devices                      | ■ 1                  |      | 8189  |   | C Byetta                 |
| Exenatide 2mg powder and solvent for prolonged-release suspension for injection pre-filled disposable devices | 4                    |      | 7336  |   | C Bydureon               |
| Exenatide 2mg/0.85ml prolonged-release suspension for injection pre-filled disposable devices                 | 4                    |      | 7336  |   | C Bydureon BCise         |
| Exenatide 5micrograms/0.02ml solution for injection 1.2ml pre-filled disposable devices                       | ■ 1                  |      | 8189  |   | C Byetta                 |
| Ezetimibe 10mg tablets  | 28                   |      | 204   |   | M                        |
| Famciclovir 125mg tablets   | 10                   |      | 6542  |   | A                        |
| Famciclovir 250mg tablets   | 21                   |      | 25823 | △ | A                        |
| Famciclovir 500mg tablets   | 14                   |      | 30254 | △ | A                        |
| Famotidine 20mg tablets   | 28                   |      | 2207  | ▽ | A                        |
| Famotidine 40mg tablets   | 28                   |      | 3060  |   | M                        |
| Febuxostat 120mg tablets  | 28                   |      | 2436  |   | C Adenuric               |
| Febuxostat 80mg tablets   | 28                   |      | 285   |   | M                        |
| Felbinac 3% gel   | ■ 30                 | g    | 226   |   | C Traxam Pain Relief Gel |
|   | ■ 100                | g    | 803   |   | C Traxam                 |
| Felbinac 3.17% foam   | ■ 100                | g    | 841   |   | C Traxam                 |
| Felodipine 10mg modified-release tablets  | 28                   |      | 566   |   | C Plendil                |
| Felodipine 2.5mg modified-release / Ramipril 2.5mg tablets  | 28                   |      | 2455  |   | C Triapin                |
| Felodipine 2.5mg modified-release tablets   | 28                   |      | 568   |   | C Cardioplen XL          |
| Felodipine 5mg modified-release / Ramipril 5mg tablets  | 28                   |      | 1613  |   | C Triapin                |
| Felodipine 5mg modified-release tablets   | 28                   |      | 421   |   | C Plendil                |
| Fenofibrate 145mg / Simvastatin 20mg tablets  | 30                   |      | 771   |   | C Cholib                 |
| Fenofibrate 145mg / Simvastatin 40mg tablets  | 30                   |      | 833   |   | C Cholib                 |
| Fenofibrate micronised 160mg tablets  | 28                   |      | 491   |   | M                        |
| Fenofibrate micronised 200mg capsules   | 28                   |      | 292   |   | M                        |
| Fenofibrate micronised 267mg capsules   | 28                   |      | 459   |   | M                        |
| Fenofibrate micronised 67mg capsules  | 90                   |      | 2323  |   | A                        |
| Fentanyl 1.2mg lozenges   | 3                    |      | 2105  |   | C Actiq                  |
|   | 30                   |      | 21041 |   | C Actiq                  |
| Fentanyl 1.6mg lozenges   | 3                    |      | 2105  |   | C Actiq                  |
|   | 30                   |      | 21041 |   | C Actiq                  |
| Fentanyl 100microgram buccal tablets sugar free   | 28                   |      | 13972 |   | C Effentora              |
| Fentanyl 100microgram sublingual tablets sugar free   | 10                   |      | 4999  |   | C Abstral                |
| Fentanyl 100micrograms/2ml solution for injection ampoules  | 10                   |      | 1433  |   | A                        |
| Fentanyl 100micrograms/dose nasal spray   | 6<br>(6x<br>■ 1)     | dose | 3570  |   | C Instanyl               |
|   | ■ 8                  | dose | 3648  |   | C PecFent                |
|   | 32<br>(4x<br>■ 8)    | dose | 14592 |   | C PecFent                |
| Fentanyl 100micrograms/hour transdermal patches   | 5                    |      | 5786  |   | C                        |
| Fentanyl 12micrograms/hour transdermal patches  | 5                    |      | 1259  |   | C                        |
| Fentanyl 200microgram buccal tablets sugar free   | 28                   |      | 13972 |   | C Effentora              |
| Fentanyl 200microgram lozenges  | 3                    |      | 2105  |   | C Actiq                  |
|   | 30                   |      | 21041 |   | C Actiq                  |
| Fentanyl 200microgram sublingual tablets sugar free   | 10                   |      | 4999  |   | C Abstral                |
| Fentanyl 25micrograms/hour transdermal patches  | 5                    |      | 1799  |   | C                        |
| Fentanyl 300microgram sublingual tablets sugar free   | 10                   |      | 4999  |   | C Abstral                |
| Fentanyl 37.5microgram/hour transdermal patches   | 5                    |      | 1546  |   | C Mezolar Matrix         |
| Fentanyl 400microgram buccal tablets sugar free   | 28                   |      | 13972 |   | C Effentora              |
| Fentanyl 400microgram lozenges  | 3                    |      | 2105  |   | C Actiq                  |
|   | 30                   |      | 21041 |   | C Actiq                  |



|   |       |      |        |     |                           |
|---|-------|------|--------|-----|---------------------------|
| Fentanyl 400microgram sublingual tablets sugar free                         | 10    |      | 4999   | C   | Abstral                   |
| Fentanyl 400micrograms/dose nasal spray                                     | ■ 8   | dose | 3648   | C   | PecFent                   |
|   | 32    | dose | 14592  | C   | PecFent                   |
|   | (4x   |      |        |     |                           |
|   | ■ 8)  |      |        |     |                           |
| Fentanyl 50micrograms/hour transdermal patches                              | 5     |      | 3366   | C   |                           |
| Fentanyl 600microgram buccal tablets sugar free                             | 28    |      | 13972  | C   | Effentora                 |
| Fentanyl 600microgram lozenges  | 3     |      | 2105   | C   | Actiq                     |
|   | 30    |      | 21041  | C   | Actiq                     |
| Fentanyl 600microgram sublingual tablets sugar free                         | 30    |      | 14970  | C   | Abstral                   |
| Fentanyl 75micrograms/hour transdermal patches                              | 5     |      | 4699   | C   |                           |
| Fentanyl 800microgram buccal tablets sugar free                             | 28    |      | 13972  | C   | Effentora                 |
| Fentanyl 800microgram lozenges  | 3     |      | 2105   | C   | Actiq                     |
|   | 30    |      | 21041  | C   | Actiq                     |
| Fentanyl 800microgram sublingual tablets sugar free                         | 30    |      | 14970  | C   | Abstral                   |
| Ferric chloride solution  | 500   | ml   | 656    | C   | J M Loveridge Ltd         |
| Ferric maltol (iron 30mg) capsules  | 56    |      | 4760   | C   | Feraccru                  |
| Ferrous fumarate 140mg/5ml oral solution                                    | 200   | ml   | 392    | C   | Advanz Pharma             |
| Ferrous fumarate 140mg/5ml oral solution sugar free                         | 300   | ml   | 533    | C   | Galfer Syrup              |
| Ferrous fumarate 210mg tablets  | 84    |      | 399    | C   | Advanz Pharma             |
| Ferrous fumarate 305mg capsules   | 100   |      | 500    | C   | Galfer                    |
| Ferrous fumarate 322mg / Folic acid 350microgram tablets                    | 28    |      | 125    | C   | Pregaday                  |
| Ferrous fumarate 322mg tablets  | 28    |      | 100    | C   | Advanz Pharma             |
| Ferrous gluconate 300mg tablets   | 28    |      | 108    | M   |                           |
| Ferrous sulfate 125mg/ml oral drops sugar free                              | ■ 15  | ml   | 3000   | C   | Ironorm                   |
| Ferrous sulfate 200mg tablets   | 28    |      | 127    | M   |                           |
| Ferrous sulfate 325mg / Folic acid 350microgram modified-release tablets    | 30    |      | 264    | C   | Ferrograd Folic           |
| Ferrous sulfate 325mg modified-release tablets                              | 30    |      | 258    | C   | Ferrograd                 |
| Fesoterodine 4mg modified-release tablets                                   | 28    |      | 2578   | C   | Toviaz                    |
|   | (4x   |      |        |     |                           |
|   | ■ 7)  |      |        |     |                           |
| Fesoterodine 8mg modified-release tablets                                   | 28    |      | 2578   | C   | Toviaz                    |
|   | (4x   |      |        |     |                           |
|   | ■ 7)  |      |        |     |                           |
| Fexofenadine 120mg tablets  | 30    |      | 207    | M   |                           |
| Fexofenadine 180mg tablets  | 30    |      | 274    | M   |                           |
| Fexofenadine 30mg tablets   | 60    |      | 546    | C   | Telfast 30                |
| Fidaxomicin 200mg tablets   | 20    |      | 135000 | C   | Dificlir                  |
| Filgrastim 30million units/0.5ml solution for injection pre-filled syringes | 5     |      | 25075  | C   | Zarzio                    |
| Filgrastim 30million units/1ml solution for injection vials                 | 5     |      | 26352  | C   | Neupogen                  |
| Filgrastim 48million units/0.5ml solution for injection pre-filled syringes | 5     |      | 39950  | C   | Zarzio                    |
| Finasteride 5mg tablets   | 28    |      | 128    | M   |                           |
| Fingolimod 500microgram capsules  | 28    |      | 147000 | C   | Gilenya                   |
| Flavoxate 200mg tablets   | 90    |      | 1167   | C   | Urispas 200               |
| Flecainide 100mg tablets  | 60    |      | 423    | M   |                           |
| Flecainide 50mg tablets   | 60    |      | 299    | M   |                           |
| Flucloxacillin 125mg/5ml oral solution                                      | ● 100 | ml   | 169    | M   |                           |
| Flucloxacillin 125mg/5ml oral solution sugar free                           | ● 100 | ml   | 568    | M   |                           |
| Flucloxacillin 1g powder for solution for injection vials                   | 10    |      | 3450   | C   | Bowmed Ibisqus Ltd        |
| Flucloxacillin 250mg capsules   | 28    |      | 144    | M   |                           |
| Flucloxacillin 250mg powder for solution for injection vials                | 10    |      | 860    | C   | Bowmed Ibisqus Ltd        |
| Flucloxacillin 250mg/5ml oral solution                                      | ● 100 | ml   | 509    | M   |                           |
| Flucloxacillin 250mg/5ml oral solution sugar free                           | ● 100 | ml   | 1110   | M   |                           |
| Flucloxacillin 2g powder for solution for injection vials                   | ■ 1   |      | 600    | C   | Bowmed Ibisqus Ltd        |
| Flucloxacillin 500mg capsules   | 28    |      | 230    | M   |                           |
| Flucloxacillin 500mg powder for solution for injection vials                | 10    |      | 1720   | C   | Bowmed Ibisqus Ltd        |
| Fluconazole 150mg capsule and Clotrimazole 2% cream                         | ■ 1   |      | 826    | C   | Canesten Oral & Cream Duo |
| Fluconazole 150mg capsules  | ■ 1   |      | 95     | M   |                           |
| Fluconazole 200mg capsules  | 7     |      | 522    | ▽ A |                           |
| Fluconazole 200mg/100ml solution for infusion vials                         | ■ 1   |      | 2928   | C   | Advanz Pharma             |
| Fluconazole 200mg/5ml oral suspension                                       | ● 35  | ml   | 6642   | C   | Diflucan                  |
| Fluconazole 50mg capsules   | 7     |      | 120    | M   |                           |
| Fluconazole 50mg/25ml solution for infusion vials                           | ■ 1   |      | 2000   | C   | Advanz Pharma             |
| Fluconazole 50mg/5ml oral suspension  | ● 35  | ml   | 2585   | A   |                           |
| Fludrocortisone 100microgram tablets  | 30    |      | 1331   | △ A |                           |
| Fludroxycortide 0.0125% cream   | ■ 60  | g    | 599    | A   |                           |

|  |   |        |      |       |                           |
|--|---|--------|------|-------|---------------------------|
| Fludrocortide 4micrograms/square cm tape 7.5cm   | ■ | 20     |      | 1367  | A                         |
|  | ■ | 50     |      | 1875  | A                         |
| Flumetasone 0.02% / Clioquinol 1% ear drops  | ■ | 7.5    | ml   | 1134  | C Advanz Pharma           |
|  | ■ | 10     | ml   | 1513  | C Advanz Pharma           |
| Fluocinolone acetonide 0.00625% cream  | ■ | 50     | g    | 484   | C Synalar 1 in 4 Dilution |
| Fluocinolone acetonide 0.00625% ointment   | ■ | 50     | g    | 484   | C Synalar 1 in 4 Dilution |
| Fluocinolone acetonide 0.025% / Clioquinol 3% cream  | ■ | 15     | g    | 266   | C Synalar C               |
| Fluocinolone acetonide 0.025% / Clioquinol 3% ointment                                       | ■ | 15     | g    | 266   | C Synalar C               |
| Fluocinolone acetonide 0.025% cream  | ■ | 30     | g    | 414   | C Synalar                 |
|  | ■ | 100    | g    | 1175  | C Synalar                 |
| Fluocinolone acetonide 0.025% gel  | ■ | 30     | g    | 556   | C Synalar                 |
|  | ■ | 60     | g    | 1002  | C Synalar                 |
| Fluocinolone acetonide 0.025% ointment   | ■ | 30     | g    | 414   | C Synalar                 |
|  | ■ | 100    | g    | 1175  | C Synalar                 |
| Fluocinonide 0.05% cream   | ■ | 25     | g    | 396   | C Metosyn FAPG            |
|  | ■ | 100    | g    | 1334  | C Metosyn FAPG            |
| Fluocinonide 0.05% ointment  | ■ | 25     | g    | 350   | C Metosyn                 |
|  | ■ | 100    | g    | 1315  | C Metosyn                 |
| Fluorescein 1% eye drops 0.5ml unit dose preservative free                                   |   | 20     |      | 925   | C Minims                  |
| Fluorescein 2% eye drops 0.5ml unit dose preservative free                                   |   | 20     |      | 925   | C Minims                  |
| Fluorometholone 0.1% eye drops   | ■ | 5      | ml   | 171   | C FML Liquifilm           |
|  | ■ | 10     | ml   | 295   | C FML Liquifilm           |
| Fluorouracil 0.5% / Salicylic acid 10% cutaneous solution                                    | ■ | 25     | ml   | 3830  | C Actikerall              |
| Fluorouracil 5% cream  | ■ | 40     | g    | 3290  | C Efudix                  |
| Fluoxetine 10mg capsules   |   | 30     |      | 5150  | M                         |
| Fluoxetine 10mg tablets  |   | 30     |      | 6173  | A                         |
| Fluoxetine 20mg capsules   |   | 30     |      | 102   | M                         |
| Fluoxetine 20mg dispersible tablets sugar free   |   | 28     |      | 344   | C Olena                   |
| Fluoxetine 20mg/5ml oral solution  | ■ | 70     | ml   | 402   | M                         |
| Fluoxetine 20mg/5ml oral solution sugar free   | ■ | 70     | ml   | 1295  | C Prozep                  |
| Fluoxetine 30mg capsules   |   | 30     |      | 180   | C Medreich Plc            |
| Fluoxetine 40mg capsules   |   | 30     |      | 180   | C Medreich Plc            |
| Fluoxetine 60mg capsules   |   | 30     |      | 397   | M                         |
| Flupentixol 100mg/1ml solution for injection ampoules  |   | 10     |      | 6251  | C Depixol Conc            |
| Flupentixol 1mg tablets  |   | 60     |      | 486   | C Fluanxol                |
| Flupentixol 200mg/1ml solution for injection ampoules  |   | 5      |      | 9759  | C                         |
| Flupentixol 20mg/1ml solution for injection ampoules   |   | 10     |      | 1517  | C                         |
| Flupentixol 3mg tablets  |   | 100    |      | 1392  | C Depixol                 |
| Flupentixol 40mg/2ml solution for injection ampoules   |   | 10     |      | 2539  | C                         |
| Flupentixol 500microgram tablets   |   | 60     |      | 288   | C Fluanxol                |
| Flupentixol 50mg/0.5ml solution for injection ampoules                                       |   | 10     |      | 3412  | C Psytxol                 |
| Flurbiprofen 0.03% eye drops 0.4ml unit dose preservative free                               | ■ | 40     |      | 3715  | C Ocufen                  |
| Flurbiprofen 100mg tablets   |   | 100    |      | 9264  | A                         |
| Flurbiprofen 50mg tablets  |   | 100    |      | 5181  | A                         |
| Flurbiprofen 8.75mg lozenges   |   | 16     |      | 342   | C Strefen                 |
| Flutamide 250mg tablets  |   | 84     |      | 10623 | A                         |
| Fluticasone 0.005% ointment  | ■ | 30     | g    | 424   | C Cutivate                |
| Fluticasone 125micrograms/dose / Formoterol 5micrograms/dose inhaler CFC free                | ■ | 120    | dose | 2800  | C Flutiform               |
| Fluticasone 125micrograms/dose / Salmeterol 25micrograms/dose inhaler CFC free               | ■ | 120    | dose | 2345  | C Seretide 125 Evohaler   |
| Fluticasone 125micrograms/dose inhaler CFC free  | ■ | 120    | dose | 2126  | C Flixotide Evohaler      |
| Fluticasone 250micrograms/dose / Formoterol 10micrograms/dose inhaler CFC free               | ■ | 120    | dose | 4556  | C Flutiform               |
| Fluticasone 250micrograms/dose / Salmeterol 25micrograms/dose inhaler CFC free               | ■ | 120    | dose | 2932  | C Seretide 250 Evohaler   |
| Fluticasone 250micrograms/dose inhaler CFC free  | ■ | 120    | dose | 3614  | C Flixotide Evohaler      |
| Fluticasone 2mg/2ml nebuliser liquid unit dose vials   |   | 10     |      | 3735  | C Flixotide               |
| Fluticasone 400microgram/unit dose nasal drops   |   | 28     |      | 1299  | C Flixonase               |
|  | ■ | (4x 7) |      |       |                           |
| Fluticasone 500micrograms/2ml nebuliser liquid unit dose vials                               |   | 10     |      | 934   | C Flixotide               |
| Fluticasone 50micrograms/dose / Formoterol 5micrograms/dose breath actuated inhaler CFC free | ■ | 120    | dose | 1440  | C Flutiform K-haler       |
| Fluticasone 50micrograms/dose / Formoterol 5micrograms/dose inhaler CFC free                 | ■ | 120    | dose | 1440  | C Flutiform               |
| Fluticasone 50micrograms/dose / Salmeterol 25micrograms/dose inhaler CFC free                | ■ | 120    | dose | 1746  | C Seretide 50 Evohaler    |
| Fluticasone 50micrograms/dose inhaler CFC free   | ■ | 120    | dose | 653   | C Flixotide Evohaler      |

|   |   |      |      |       |   |   |                        |
|---|---|------|------|-------|---|---|------------------------|
| Fluticasone furoate 184micrograms/dose / Vilanterol 22micrograms/dose dry powder inhaler    | ■ | 30   | dose | 2950  |   | C | Relvar Ellipta         |
| Fluticasone furoate 27.5micrograms/dose nasal spray   | ■ | 120  | dose | 644   |   | C | Avamys                 |
| Fluticasone furoate 92micrograms/dose / Vilanterol 22micrograms/dose dry powder inhaler     | ■ | 30   | dose | 2200  |   | C | Relvar Ellipta         |
| Fluticasone propionate 100micrograms/dose / Salmeterol 50micrograms/dose dry powder inhaler | ■ | 60   | dose | 1746  |   | C | Seretide 100 Accuhaler |
| Fluticasone propionate 100micrograms/dose dry powder inhaler                                | ■ | 60   | dose | 800   |   | C | Flixotide Accuhaler    |
| Fluticasone propionate 250micrograms/dose / Salmeterol 50micrograms/dose dry powder inhaler | ■ | 60   | dose | 3395  |   | C | Seretide 250 Accuhaler |
| Fluticasone propionate 250micrograms/dose dry powder inhaler                                | ■ | 60   | dose | 2551  |   | C | Flixotide Accuhaler    |
| Fluticasone propionate 500micrograms/dose / Salmeterol 50micrograms/dose dry powder inhaler | ■ | 60   | dose | 3274  |   | C | Seretide 500 Accuhaler |
| Fluticasone propionate 500micrograms/dose dry powder inhaler                                | ■ | 60   | dose | 4337  |   | C | Flixotide Accuhaler    |
| Fluticasone propionate 50micrograms/dose / Azelastine 137micrograms/dose nasal spray        | ■ | 120  | dose | 1480  |   | C | Dymista                |
| Fluticasone propionate 50micrograms/dose dry powder inhaler                                 | ■ | 60   | dose | 400   |   | C | Flixotide Accuhaler    |
| Fluticasone propionate 50micrograms/dose nasal spray  | ■ | 150  | dose | 719   |   | M |                        |
| Fluvastatin 20mg capsules   |   | 28   |      | 355   |   | M |                        |
| Fluvastatin 40mg capsules   |   | 28   |      | 417   |   | M |                        |
| Fluvastatin 80mg modified-release tablets   |   | 28   |      | 1920  |   | C |                        |
| Fluvoxamine 100mg tablets   |   | 30   |      | 2098  | △ | C | Wockhardt UK Ltd       |
| Fluvoxamine 50mg tablets  |   | 60   |      | 1710  |   | C | Faverin                |
| Folic acid 2.5mg/5ml oral solution sugar free   |   | 150  | ml   | 916   |   | C | Lexpec                 |
| Folic acid 400microgram tablets   |   | 90   |      | 352   |   | A |                        |
| Folic acid 5mg tablets  |   | 28   |      | 103   |   | M |                        |
| Folic acid 5mg/5ml oral solution sugar free   |   | 150  | ml   | 4803  | ▽ | A |                        |
| Follitropin alfa 1,050unit powder and solvent for solution for injection vials              | ■ | 1    |      | 35306 |   | C | Gonal-f                |
| Follitropin alfa 150units/0.25ml solution for injection pre-filled disposable devices       | ■ | 1    |      | 5170  |   | C | Bemfola                |
| Follitropin alfa 225units/0.375ml solution for injection pre-filled disposable devices      | ■ | 1    |      | 7755  |   | C | Bemfola                |
| Follitropin alfa 300units/0.5ml solution for injection pre-filled disposable devices        | ■ | 1    |      | 11280 |   | C | Gonal-f                |
| Follitropin alfa 450unit powder and solvent for solution for injection vials                | ■ | 1    |      | 15132 |   | C | Gonal-f                |
| Follitropin alfa 450units/0.75ml solution for injection pre-filled disposable devices       | ■ | 1    |      | 16920 |   | C | Gonal-f                |
| Follitropin alfa 75unit powder and solvent for solution for injection vials                 | ■ | 1    |      | 2522  |   | C | Gonal-f                |
| Follitropin alfa 75units/0.125ml solution for injection pre-filled disposable devices       | ■ | 1    |      | 2585  |   | C | Bemfola                |
| Follitropin alfa 900units/1.5ml solution for injection pre-filled disposable devices        | ■ | 1    |      | 33840 |   | C | Gonal-f                |
| Fondaparinux sodium 1.5mg/0.3ml solution for injection pre-filled syringes                  |   | 10   |      | 6279  |   | C | Arixtra                |
| Fondaparinux sodium 10mg/0.8ml solution for injection pre-filled syringes                   |   | 10   |      | 11653 |   | C | Arixtra                |
| Fondaparinux sodium 2.5mg/0.5ml solution for injection pre-filled syringes                  |   | 10   |      | 6279  |   | C | Arixtra                |
| Fondaparinux sodium 5mg/0.4ml solution for injection pre-filled syringes                    |   | 10   |      | 11653 |   | C | Arixtra                |
| Fondaparinux sodium 7.5mg/0.6ml solution for injection pre-filled syringes                  |   | 10   |      | 11653 |   | C | Arixtra                |
| Formaldehyde (Buffered) 4% solution   |   | 1000 | ml   | 441   |   | A |                        |
| Formaldehyde solution   |   | 500  | ml   | 879   |   | C | J M Loveridge Ltd      |
| Formoterol 12microgram inhalation powder capsules with device                               | ■ | 60   |      | 2806  |   | C | Foradil                |
| Formoterol 12micrograms/dose dry powder inhaler   | ■ | 60   | dose | 2480  |   | C | Oxis Turbohaler 12     |
|   | ■ | 120  | dose | 2375  |   | C | Formoterol Easyhaler   |
| Formoterol 12micrograms/dose inhaler CFC free   | ■ | 100  | dose | 3006  |   | C | Atimos Modulite        |
| Formoterol 6micrograms/dose dry powder inhaler  | ■ | 60   | dose | 2480  |   | C | Oxis Turbohaler 6      |
| Fosfomycin 3g granules sachets  | ■ | 1    |      | 486   |   | C | Monuril                |
| Fosinopril 10mg tablets   |   | 28   |      | 436   |   | M |                        |
| Fosinopril 20mg tablets   |   | 28   |      | 332   |   | M |                        |
| Frovatriptan 2.5mg tablets  |   | 6    |      | 349   |   | M |                        |
| Fulvestrant 250mg/5ml solution for injection pre-filled syringes                            |   | 2    |      | 52241 |   | C | Faslodex               |
| Furosemide 20mg tablets   |   | 28   |      | 80    |   | M |                        |

|  |       |     |       |       |   |                        |
|--|-------|-----|-------|-------|---|------------------------|
| Furosemide 20mg/2ml solution for injection ampoules                    | 10    |     | 552   | ▽     | A |                        |
| Furosemide 20mg/5ml oral solution sugar free                           | 150   | ml  | 1481  |       | A |                        |
| Furosemide 250mg/25ml solution for injection ampoules                  | 10    |     | 4000  |       | C | Advanz Pharma          |
| Furosemide 40mg tablets  | 28    |     | 84    |       | M |                        |
| Furosemide 40mg/5ml oral solution sugar free                           | 150   | ml  | 1953  |       | A |                        |
| Furosemide 500mg tablets   | 28    |     | 3964  |       | A |                        |
| Furosemide 50mg/5ml oral solution sugar free                           | 150   | ml  | 2021  |       | A |                        |
| Furosemide 50mg/5ml solution for injection ampoules                    | 10    |     | 350   | △     | C | Accord Healthcare Ltd  |
| Fusidic acid 1% modified-release eye drops                             | ■     | 5   | g     | 2923  |   | M                      |
| Fusidic acid 2% cream  | ■     | 15  | g     | 274   |   | M                      |
|  | ■     | 30  | g     | 548   |   | M                      |
| Fusidic acid 250mg/5ml oral suspension                                 | ■     | 90  | ml    | 1211  |   | C Fucidin              |
| Gabapentin 100mg capsules  | 100   |     | 218   |       | M |                        |
| Gabapentin 300mg capsules  | 100   |     | 327   |       | M |                        |
| Gabapentin 400mg capsules  | 100   |     | 384   |       | M |                        |
| Gabapentin 50mg/ml oral solution sugar free                            | 150   | ml  | 6542  | ▽     | A |                        |
| Gabapentin 600mg tablets   | 100   |     | 601   |       | M |                        |
| Gabapentin 800mg tablets   | 100   |     | 2703  | ▽     | A |                        |
| Galantamine 16mg modified-release capsules                             | 28    |     | 6490  |       | C |                        |
| Galantamine 20mg/5ml oral solution sugar free                          | ■     | 100 | ml    | 12000 |   | A                      |
| Galantamine 24mg modified-release capsules                             | 28    |     | 7980  |       | C |                        |
| Galantamine 8mg modified-release capsules                              | 28    |     | 5188  |       | C |                        |
| Gamolenic acid 40mg capsules   | 240   |     | 5801  |       | A |                        |
| Gamolenic acid 80mg capsules   | 120   |     | 5801  |       | A |                        |
| Ganciclovir 0.15% eye gel  | ■     | 5   | g     | 1999  |   | C Virgan               |
| Gemfibrozil 300mg capsules   | 100   |     | 3176  |       | C | Lopid                  |
| Gemfibrozil 600mg tablets  | 56    |     | 4538  |       | A |                        |
| Gentamicin 0.3% / Hydrocortisone acetate 1% ear drops                  | ■     | 10  | ml    | 3326  |   | C Advanz Pharma        |
| Gentamicin 0.3% ear/eye drops  | ■     | 10  | ml    | 2434  | △ | A                      |
| Gentamicin 20mg/2ml solution for injection ampoules                    | 5     |     | 1125  |       | C | Wockhardt UK Ltd       |
| Gentamicin 20mg/2ml solution for injection vials                       | 5     |     | 1125  |       | C | Gentamicin Paediatric  |
| Gentamicin 5mg/1ml solution for injection ampoules                     | 5     |     | 3628  |       | C | Gentamicin Intrathecal |
| Gentamicin 80mg/2ml solution for injection ampoules                    | 5     |     | 688   |       | C | Cidomycin              |
| Gentamicin 80mg/2ml solution for injection vials                       | 5     |     | 688   |       | C | Cidomycin              |
| Glatiramer acetate 20mg/1ml solution for injection pre-filled syringes | 28    |     | 51395 |       | C | Copaxone               |
| Glatiramer acetate 40mg/1ml solution for injection pre-filled syringes | 12    |     | 51395 |       | C | Copaxone               |
| Gliclazide 160mg tablets   | 28    |     | 327   |       | C | Glydex                 |
| Gliclazide 30mg modified-release tablets                               | 28    |     | 281   |       | C |                        |
| Gliclazide 40mg tablets  | 28    |     | 166   |       | M |                        |
| Gliclazide 60mg modified-release tablets                               | 28    |     | 477   |       | C |                        |
| Gliclazide 80mg tablets  | 28    |     | 111   |       | M |                        |
| Glimepiride 1mg tablets  | 30    |     | 113   |       | M |                        |
| Glimepiride 2mg tablets  | 30    |     | 128   |       | M |                        |
| Glimepiride 3mg tablets  | 30    |     | 145   |       | M |                        |
| Glimepiride 4mg tablets  | 30    |     | 161   |       | M |                        |
| Glipizide 5mg tablets  | 28    |     | 283   |       | M |                        |
| Glucagon 1mg powder and solvent for solution for injection vials       | ■     | 1   |       | 1152  |   | C GlucaGen Hypokit     |
| Glucosamine sulfate 1.5g tablets                                       | 30    |     | 1820  |       | C | Dolenio                |
| Glucose 40% oral gel   | 75    | g   | 716   |       | C | Glucogel               |
|  | (3x   |     |       |       |   |                        |
|  | ■ 25) |     |       |       |   |                        |
| Glucose 50% solution for infusion 20ml ampoules                        | 10    |     | 1400  |       | A |                        |
| Glucose 50% solution for infusion 50ml vials                           | 25    |     | 6000  |       | A |                        |
| Glucose powder for oral use BP 1980                                    | 500   | g   | 175   |       | C | Thornton & Ross Ltd    |
| Glutaraldehyde 10% solution  | ■     | 10  | ml    | 207   |   | C Glutarol             |
| Glycerol 1g suppositories  | 12    |     | 258   |       | A |                        |
| Glycerol 2g suppositories  | 12    |     | 313   |       | A |                        |
| Glycerol 4g suppositories  | 12    |     | 179   | ▽     | A |                        |
| Glycerol liquid  | 200   | ml  | 150   |       | C | Thornton & Ross Ltd    |
|  | 500   | ml  | 566   |       | C | J M Loveridge Ltd      |
| Glyceryl trinitrate 0.4% rectal ointment                               | ■     | 30  | g     | 3930  |   | C Rectogesic           |

|  |     |     |          |   |   |
|--|-----|-----|----------|---|---|
| Glyceryl trinitrate 10mg/24hours transdermal patches   | 28  |     | 1406     | C | Deponit 10                                  |
| Glyceryl trinitrate 15mg/24hours transdermal patches   | 30  |     | 1419     | C | Minitran 15                                 |
| Glyceryl trinitrate 400micrograms/dose aerosol sublingual spray  | ■   | 180 | dose 385 | A |   |
|  | ■   | 200 | dose 415 | A |   |
| Glyceryl trinitrate 400micrograms/dose pump sublingual spray   | ■   | 180 | dose 255 | M |   |
|  | ■   | 200 | dose 280 | M |   |
| Glyceryl trinitrate 500microgram sublingual tablets  | ■   | 100 | 204      | M |   |
| Glyceryl trinitrate 5mg/24hours transdermal patches  | 28  |     | 1277     | C | Deponit 5                                   |
| Glycopyrronium bromide 1mg tablets   | 30  |     | 25028    | △ | A   |
| Glycopyrronium bromide 1mg/5ml oral solution sugar free  | ■   | 150 | ml 9100  | A |   |
| Glycopyrronium bromide 200micrograms/1ml solution for injection ampoules   | 10  |     | 995      | A |   |
| Glycopyrronium bromide 2mg tablets   | 30  |     | 28161    | △ | A   |
| Glycopyrronium bromide 400micrograms/ml oral solution sugar free   | ■   | 60  | ml 7680  | C | Sialanar                                    |
|  | ■   | 250 | ml 32000 | C | Sialanar                                    |
| Glycopyrronium bromide 55microgram inhalation powder capsules with device  | ■   | 30  | 2750     | C | Seebri Breezhaler                           |
| Glycopyrronium bromide 600micrograms/3ml solution for injection ampoules   | 10  |     | 1499     | A |   |
| Glycopyrronium bromide powder for solution for iontophoresis   | 3   | g   | 32700    | C | Advanz Pharma                               |
| Golimumab 100mg/1ml solution for injection pre-filled disposable devices   | ■   | 1   | 152594   | C | Simponi                                     |
| Golimumab 50mg/0.5ml solution for injection pre-filled disposable devices  | ■   | 1   | 76297    | C | Simponi                                     |
| Golimumab 50mg/0.5ml solution for injection pre-filled syringes  | ■   | 1   | 76297    | C | Simponi                                     |
| Goserelin 10.8mg implant pre-filled syringes   | ■   | 1   | 23500    | C | Zoladex LA                                  |
| Goserelin 3.6mg implant pre-filled syringes  | ■   | 1   | 7000     | C | Zoladex                                     |
| Granisetron 1mg tablets  | 10  |     | 4080     | A |   |
| Granisetron 1mg/1ml solution for injection ampoules  | 10  |     | 2420     | C | hameln pharma Ltd                           |
| Granisetron 2mg tablets  | 5   |     | 5239     | C | Kytril                                      |
| Granisetron 3.1mg/24hours transdermal patches  | ■   | 1   | 5600     | C | Sancuso                                     |
| Granisetron 3mg/3ml solution for injection ampoules  | 10  |     | 7200     | C | hameln pharma Ltd                           |
| Griseofulvin 1% spray  | ■   | 20  | ml 960   | C | Grisol                                      |
| Griseofulvin 125mg tablets   | 100 |     | 9667     | A |   |
| Griseofulvin 500mg tablets   | 100 |     | 9035     | A |   |
| Guaifenesin 100mg/5ml / Pseudoephedrine 30mg/5ml oral solution   | 100 | ml  | 293      | C | Benylin Mucus Cough Plus Decongestant syrup |
| Guaifenesin 100mg/5ml oral solution sugar free   | 100 | ml  | 233      | C | Robitussin Chesty Cough                     |
|  | 250 | ml  | 443      | C | Robitussin Chesty Cough                     |
| Guaifenesin 66.67mg/5ml oral solution sugar free   | 150 | ml  | 330      | C | Covonia Chesty Cough Sugar Free syrup       |
| Guanfacine 1mg modified-release tablets  | 28  |     | 5600     | C | Intuniv                                     |
| Guanfacine 2mg modified-release tablets  | 28  |     | 5852     | C | Intuniv                                     |
| Guanfacine 3mg modified-release tablets  | 28  |     | 6552     | C | Intuniv                                     |
| Guanfacine 4mg modified-release tablets  | 28  |     | 7616     | C | Intuniv                                     |
| Haemophilus type b / Meningococcal C conjugate vaccine powder and solvent for solution for injection 0.5ml vials | ■   | 1   | 3776     | C | Menitorix                                   |
| Haloperidol 1.5mg tablets  | 28  |     | 331      | M |   |
| Haloperidol 10mg tablets   | 28  |     | 1645     | ▽ | A   |
| Haloperidol 10mg/5ml oral solution sugar free  | 100 | ml  | 710      | A |   |
| Haloperidol 200micrograms/ml oral solution sugar free  | ■   | 100 | ml 8990  | C | Halkid                                      |
| Haloperidol 500microgram tablets   | 28  |     | 14739    | △ | A   |
| Haloperidol 5mg tablets  | 28  |     | 365      | M |   |
| Haloperidol 5mg/1ml solution for injection ampoules  | 10  |     | 5236     | △ | A   |
| Haloperidol 5mg/5ml oral solution sugar free   | 100 | ml  | 648      | A |   |
| Haloperidol decanoate 100mg/1ml solution for injection ampoules  | 5   |     | 2526     | C | Haldol Decanoate                            |
| Haloperidol decanoate 50mg/1ml solution for injection ampoules   | 5   |     | 1906     | C | Haldol Decanoate                            |

|   |   |     |    |       |   |                               |
|---|---|-----|----|-------|---|-------------------------------|
| Hamamelis water 13% eye drops   | ■ | 10  | ml | 323   | C | Optrex Sore Eyes              |
| Heparin calcium 5,000units/0.2ml solution for injection ampoules  |   | 10  |    | 4470  | C | Wockhardt UK Ltd              |
| Heparin sodium 1,000units/1ml solution for injection ampoules   |   | 10  |    | 1485  | C | Wockhardt UK Ltd              |
| Heparin sodium 10,000units/10ml solution for injection ampoules   |   | 10  |    | 6459  | C | Wockhardt UK Ltd              |
| Heparin sodium 20,000units/20ml solution for injection ampoules   |   | 10  |    | 7088  | C | Wockhardt UK Ltd              |
| Heparin sodium 200units/2ml patency solution ampoules   |   | 10  |    | 1568  | A |                               |
| Heparin sodium 25,000units/1ml solution for injection ampoules  |   | 10  |    | 7695  | C | Wockhardt UK Ltd              |
| Heparin sodium 25,000units/5ml solution for injection ampoules  |   | 10  |    | 7578  | C | Wockhardt UK Ltd              |
| Heparin sodium 25,000units/5ml solution for injection vials   |   | 10  |    | 4500  | C | LEO Pharma                    |
| Heparin sodium 5,000units/0.2ml solution for injection ampoules   |   | 10  |    | 3735  | C | Wockhardt UK Ltd              |
| Heparin sodium 5,000units/1ml solution for injection ampoules   |   | 10  |    | 2904  | C | Wockhardt UK Ltd              |
| Heparin sodium 5,000units/5ml solution for injection ampoules   |   | 10  |    | 3747  | C | Wockhardt UK Ltd              |
| Heparin sodium 5,000units/5ml solution for injection vials  |   | 10  |    | 1650  | C | LEO Pharma                    |
| Heparin sodium 50units/5ml patency solution ampoules  |   | 10  |    | 1496  | A |                               |
| Heparinoid 0.3% cream   | ■ | 50  | g  | 399   | C | Hirudoid                      |
| Heparinoid 0.3% gel   | ■ | 50  | g  | 399   | C | Hirudoid                      |
| Hepatitis A (inactivated) / Hepatitis B (rDNA) vaccine (adsorbed) suspension for injection 0.5ml pre-filled syringes                | ■ | 1   |    | 2079  | C | Twinrix Paediatric            |
| Hepatitis A (inactivated) / Hepatitis B (rDNA) vaccine (adsorbed) suspension for injection 1ml pre-filled syringes                  | ■ | 1   |    | 3118  | C | Ambirix                       |
| Hepatitis A GBM strain (adsorbed) / Typhoid polysaccharide vaccine suspension for injection 1ml pre-filled syringes                 | ■ | 1   |    | 3576  | C | ViATIM                        |
| Hepatitis A vaccine (inactivated, adsorbed) suspension for injection 1ml pre-filled syringes  | ■ | 1   |    | 2214  | C | Havrix Monodose               |
| Hepatitis B (rDNA) 10micrograms/0.5ml vaccine suspension for injection pre-filled syringes  | ■ | 1   |    | 967   | C | Enerix B                      |
| Hepatitis B (rDNA) 20micrograms/0.5ml vaccine suspension for injection pre-filled syringes  | ■ | 1   |    | 3810  | C | Fendrix                       |
| Hepatitis B (rDNA) 20micrograms/1ml vaccine suspension for injection pre-filled syringes  | ■ | 1   |    | 1299  | C | Enerix B                      |
| Hepatitis B (rDNA) 40micrograms/1ml vaccine suspension for injection vials  | ■ | 1   |    | 2760  | C | HBvaxPRO                      |
| Hepatitis B (rDNA) 5micrograms/0.5ml vaccine suspension for injection pre-filled syringes   | ■ | 1   |    | 895   | C | HBVAXPRO                      |
| Hexetidine 0.1% mouthwash sugar free  |   | 200 | ml | 292   | C | Oraldene                      |
| Hexylresorcinol 2.4mg lozenges  |   | 24  |    | 323   | C | Strepsils Extra Triple Action |
| Human papillomavirus (type 6, 11, 16, 18) vaccine (adsorbed) suspension for injection 0.5ml pre-filled syringes                     | ■ | 1   |    | 8650  | C | Gardasil                      |
| Human papillomavirus (type 6, 11, 16, 18, 31, 33, 45, 52, 58) vaccine (adsorbed) suspension for injection 0.5ml pre-filled syringes | ■ | 1   |    | 10500 | C | Gardasil 9                    |
| Hydralazine 25mg tablets  |   | 56  |    | 470   | M |                               |
| Hydralazine 50mg tablets  |   | 56  |    | 591   | M |                               |
| Hydrocortisone 0.1% cream   | ■ | 15  | g  | 283   | C | Dermacort                     |
| Hydrocortisone 0.1% topical emulsion  | ■ | 100 | g  | 591   | C | Locoid Crelo                  |
| Hydrocortisone 0.25% / Croxamiton 10% cream   | ■ | 15  | g  | 217   | C | Eurax Hc                      |
| Hydrocortisone 0.5% cream   | ■ | 15  | g  | 137   | M |                               |
| Hydrocortisone 0.5% ointment  | ■ | 15  | g  | 4400  | A |                               |
| Hydrocortisone 1% / Clotrimazole 1% cream   | ■ | 15  | g  | 326   | C | Canesten Hydrocortisone       |
|   | ■ | 30  | g  | 242   | C | Canesten HC                   |
| Hydrocortisone 1% / Miconazole 2% cream   | ■ | 15  | g  | 380   | C | Daktacort Hydrocortisone      |
|   | ■ | 30  | g  | 249   | C | Daktacort                     |
| Hydrocortisone 1% / Miconazole 2% ointment  | ■ | 30  | g  | 250   | C | Daktacort                     |
| Hydrocortisone 1% cream   | ■ | 15  | g  | 156   | M |                               |
|   | ■ | 30  | g  | 312   | M |                               |
|   | ■ | 50  | g  | 520   | M |                               |
| Hydrocortisone 1% ointment  | ■ | 15  | g  | 160   | △ | A                             |
|   | ■ | 30  | g  | 321   | △ | A                             |
|   | ■ | 50  | g  | 534   | △ | A                             |
| Hydrocortisone 10mg soluble tablets sugar free  |   | 30  |    | 3750  | A |                               |

|   |              |    |       |   |                               |
|---|--------------|----|-------|---|-------------------------------|
|   | (3x<br>■ 10) |    |       |   |                               |
| Hydrocortisone 10mg tablets   | 30           |    | 318   | M |                               |
| Hydrocortisone 1mg granules in capsules for opening                                       | 50           |    | 6750  | C | Alkindi                       |
| Hydrocortisone 2.5% cream   | ■ 15         | g  | 6035  | M |                               |
| Hydrocortisone 2.5% ointment  | ■ 15         | g  | 2446  | ▽ | A                             |
| Hydrocortisone 2.5mg muco-adhesive buccal tablets sugar free                              | 20           |    | 906   | ▽ | A                             |
| Hydrocortisone 20mg modified-release tablets  | 50           |    | 40000 | C | Plenadren                     |
| Hydrocortisone 20mg tablets   | 30           |    | 302   | M |                               |
| Hydrocortisone 2mg granules in capsules for opening                                       | 50           |    | 13500 | C | Alkindi                       |
| Hydrocortisone 500microgram granules in capsules for opening                              | 50           |    | 3375  | C | Alkindi                       |
| Hydrocortisone 5mg granules in capsules for opening                                       | 50           |    | 33750 | C | Alkindi                       |
| Hydrocortisone 5mg modified-release tablets   | 50           |    | 24250 | C | Plenadren                     |
| Hydrocortisone acetate 1% / Fusidic acid 2% cream   | ■ 30         | g  | 602   | C | Fucidin H                     |
|   | ■ 60         | g  | 1205  | C | Fucidin H                     |
| Hydrocortisone acetate 1% cream   | ■ 15         | g  | 290   | C | Hc45 Hydrocortisone           |
| Hydrocortisone acetate 25mg/1ml suspension for injection ampoules                         | 10           |    | 6872  | C | Hydrocortistab                |
| Hydrocortisone butyrate 0.1% cream  | ■ 100        | g  | 493   | C | Locoid                        |
| Hydrocortisone butyrate 0.1% ointment   | ■ 100        | g  | 493   | C | Locoid                        |
| Hydrocortisone butyrate 0.1% scalp lotion   | ■ 100        | ml | 683   | C | Locoid                        |
| Hydrocortisone sodium phosphate 100mg/1ml solution for injection ampoules                 | 5            |    | 1060  | C | Advanz Pharma                 |
| Hydrocortisone sodium phosphate 3.35mg/ml eye drops 0.4ml unit dose preservative free     | 30           |    | 1099  | C | Softacort                     |
| Hydrocortisone sodium succinate 100mg powder and solvent for solution for injection vials | ■ 1          |    | 116   | C | Solu - Cortef                 |
| Hydrocortisone sodium succinate 100mg powder for solution for injection vials             | 10           |    | 917   | C | Solu-Cortef                   |
| Hydrogen peroxide 1% cream  | ■ 25         | g  | 807   | C | Crystacide                    |
| Hydrogen peroxide 1.5% mouthwash sugar free   | 300          | ml | 294   | C | Peroxyl                       |
| Hydrogen peroxide 3% solution   | 200          | ml | 63    | C | Thornton & Ross Ltd           |
| Hydrogen peroxide 6% solution   | 200          | ml | 67    | C | Thornton & Ross Ltd           |
| Hydrogen peroxide 9% solution   | 200          | ml | 72    | C | Thornton & Ross Ltd           |
| Hydromorphone 1.3mg capsules  | 56           |    | 882   | C | Palladone                     |
| Hydromorphone 10mg/1ml solution for injection ampoules                                    | 5            |    | 6600  | C | Palladone                     |
| Hydromorphone 16mg modified-release capsules  | 56           |    | 10653 | C | Palladone SR                  |
| Hydromorphone 2.6mg capsules  | 56           |    | 1764  | C | Palladone                     |
| Hydromorphone 24mg modified-release capsules  | 56           |    | 15982 | C | Palladone SR                  |
| Hydromorphone 2mg modified-release capsules   | 56           |    | 2098  | C | Palladone SR                  |
| Hydromorphone 2mg/1ml solution for injection ampoules                                     | 5            |    | 799   | C | Palladone                     |
| Hydromorphone 4mg modified-release capsules   | 56           |    | 2875  | C | Palladone SR                  |
| Hydromorphone 8mg modified-release capsules   | 56           |    | 5608  | C | Palladone SR                  |
| Hydrous wool fat  | 500          | g  | 1847  | C | J M Loveridge Ltd             |
| Hydroxocobalamin 1mg/1ml solution for injection ampoules                                  | 5            |    | 577   | M |                               |
| Hydroxycarbamide 100mg tablets  | 60           |    | 10000 | C | Siklos                        |
| Hydroxycarbamide 1g tablets   | 30           |    | 50000 | C | Siklos                        |
| Hydroxycarbamide 500mg capsules   | 100          |    | 1214  | A |                               |
| Hydroxycarbamide 500mg/5ml oral solution sugar free                                       | ■ 150        | ml | 25000 | C | Xromi                         |
| Hydroxychloroquine 200mg tablets  | 60           |    | 661   | M |                               |
| Hydroxychloroquine 300mg tablets  | 30           |    | 950   | C | Blackrock Pharmaceuticals Ltd |
| Hydroxyzine 10mg tablets  | 84           |    | 210   | C | Zentiva Pharma UK Ltd         |
| Hydroxyzine 25mg tablets  | 28           |    | 158   | M |                               |
| Hyetellose 0.44% eye drops 0.5ml unit dose preservative free                              | 20           |    | 933   | C | Minims artificial tears       |
| Hyoscine 1mg/72hours transdermal patches  | 2            |    | 1287  | C | Scopoderm                     |
| Hyoscine butylbromide 10mg tablets  | 56           |    | 300   | C | Buscopan                      |
| Hyoscine butylbromide 20mg/1ml solution for injection ampoules                            | 10           |    | 292   | C | Buscopan                      |
| Hyoscine hydrobromide 150microgram chewable tablets sugar free                            | 12           |    | 199   | C | Joy-rides                     |
| Hyoscine hydrobromide 150microgram tablets  | 12           |    | 184   | C | Kwells Kids                   |
| Hyoscine hydrobromide 300microgram tablets  | 12           |    | 184   | C | Kwells                        |
| Hyoscine hydrobromide 400micrograms/1ml solution for injection ampoules                   | 10           |    | 4721  | A |                               |
| Hyoscine hydrobromide 600micrograms/1ml solution for injection ampoules                   | 10           |    | 5932  | A |                               |
| Hypromellose 0.3% / Dextran '70' 0.1% eye drops   | ■ 15         | ml | 189   | C | Tears Naturale                |
| Hypromellose 0.3% / Dextran '70' 0.1% eye drops 0.4ml unit dose preservative free         | 28           |    | 1326  | C | Tears Naturale                |
|   | (7x          |    |       |   |                               |

|   |   |     |    |        |   |   |
|---|---|-----|----|--------|---|---|
|   |   |     |    |        |   | 4)  |
| Hypromellose 0.3% eye drops   | ■ | 10  | ml | 105    | C | Martindale<br>Pharmaceuticals Ltd         |
| Hypromellose 0.32% eye drops  | ■ | 10  | ml | 499    | C | Artelac                                   |
| Hypromellose 0.32% eye drops 0.5ml unit dose<br>preservative free   |   | 30  |    | 1695   | C | Artelac Single Dose<br>Unit               |
| Hypromellose 0.5% eye drops   | ■ | 10  | ml | 81     | C | Isopto Plain                              |
| Ibandronic acid 150mg tablets   | ■ | 1   |    | 281    | M |   |
| Ibandronic acid 3mg/3ml solution for injection pre-<br>filled syringes  | ■ | 1   |    | 6540   | C | Accord Healthcare Ltd                     |
| Ibandronic acid 50mg tablets  |   | 28  |    | 2748   | M |   |
| Ibuprofen 10% gel   | ■ | 100 | g  | 579    | C | Ibugel Forte                              |
| Ibuprofen 100mg chewable capsules   |   | 12  |    | 323    | C | Nurofen for Children                      |
| Ibuprofen 100mg/5ml oral suspension   |   | 500 | ml | 888    | C | Brufen Syrup                              |
| Ibuprofen 100mg/5ml oral suspension 5ml sachets<br>sugar free   |   | 8   |    | 201    | C | Nurofen for Children<br>Singles           |
|   |   | 12  |    | 242    | C | Calprofen                                 |
|   |   | 16  |    | 358    | C | Nurofen for Children<br>Singles           |
| Ibuprofen 100mg/5ml oral suspension sugar free  |   | 100 | ml | 165    | M |   |
| Ibuprofen 200mg / Codeine 12.8mg tablets  |   | 24  |    | 485    | C | Nurofen Plus                              |
|   |   | 32  |    | 582    | C | Nurofen Plus                              |
| Ibuprofen 200mg / Phenylephrine 6.1mg tablets   |   | 16  |    | 326    | C | Sudafed Sinus Pain<br>Relief              |
| Ibuprofen 200mg / Pseudoephedrine hydrochloride<br>30mg tablets   |   | 12  |    | 283    | C | Sudafed Sinus Pressure<br>& Pain          |
|   |   | 24  |    | 437    | C | Sudafed Sinus Pressure<br>& Pain          |
| Ibuprofen 200mg capsules  |   | 30  |    | 485    | C | Nurofen Express                           |
| Ibuprofen 200mg medicated plasters  |   | 2   |    | 517    | C | Nurofen Joint &<br>Muscular Pain Relief   |
|   |   | 4   |    | 841    | C | Nurofen Joint &<br>Muscular Pain Relief   |
| Ibuprofen 200mg orodispersible tablets sugar free   |   | 12  |    | 258    | C | Nurofen Meltlets                          |
| Ibuprofen 200mg tablets   |   | 24  |    | 117    | M |   |
|   |   | 84  |    | 410    | M |   |
| Ibuprofen 200mg/5ml oral suspension sugar free  |   | 100 | ml | 349    | C | Ibuprofen Seven Plus<br>Pain Relief       |
| Ibuprofen 300mg modified-release capsules   |   | 24  |    | 485    | C | Nurofen Back Pain SR                      |
| Ibuprofen 400mg capsules  |   | 20  |    | 647    | C | Nurofen Express                           |
| Ibuprofen 400mg tablets   |   | 24  |    | 164    | M |   |
|   |   | 84  |    | 574    | M |   |
| Ibuprofen 5% / Levomenthol 3% gel   | ■ | 30  | g  | 288    | C | Deep Relief                               |
|   | ■ | 50  | g  | 359    | C | Deep Relief                               |
|   | ■ | 100 | g  | 646    | C | Deep Relief                               |
| Ibuprofen 5% gel  | ■ | 50  | g  | 152    | M |   |
|   | ■ | 100 | g  | 304    | M |   |
| Ibuprofen 5% spray  | ■ | 35  | ml | 326    | C | Ibuleve Speed Relief                      |
|   | ■ | 100 | ml | 618    | C | Ibuspray                                  |
| Ibuprofen 600mg effervescent granules sachets   |   | 20  |    | 680    | C | Brufen                                    |
| Ibuprofen 600mg tablets   |   | 84  |    | 493    | A |   |
| Ibuprofen 800mg modified-release tablets  |   | 56  |    | 774    | C | Brufen Retard                             |
| Ibuprofen lysine 200mg tablets  |   | 8   |    | 176    | C | Feminax Express                           |
|   |   | 16  |    | 267    | C | Feminax Express                           |
| Ibuprofen lysine 400mg tablets  |   | 12  |    | 368    | C | Nurofen Maximum<br>Strength Migraine Pain |
|   |   | 24  |    | 640    | C | Nurofen Express                           |
| Ichthammol liquid   |   | 100 | g  | 1299   | C | J M Loveridge Ltd                         |
| Idebenone 150mg tablets   |   | 180 |    | 636400 | C | Raxone                                    |
| Imatinib 100mg tablets  |   | 60  |    | 47808  | A |   |
| Imatinib 400mg tablets  |   | 30  |    | 78742  | A |   |
| Imidapril 10mg tablets  |   | 28  |    | 722    | C | Tanatril                                  |
| Imidapril 20mg tablets  |   | 28  |    | 867    | C | Tanatril                                  |
| Imidapril 5mg tablets   |   | 28  |    | 640    | C | Tanatril                                  |
| Imipramine 10mg tablets   |   | 28  |    | 186    | M |   |
| Imipramine 25mg tablets   |   | 28  |    | 664    | M |   |
| Imipramine 25mg/5ml oral solution sugar free  |   | 150 | ml | 4909   | A |   |
| Imiquimod 3.75% cream 250mg sachets   |   | 28  |    | 5475   | C | Zyclara                                   |
| Imiquimod 5% cream 250mg sachets  |   | 12  |    | 4860   | C |   |
| Indacaterol 125micrograms/dose / Mometasone<br>127.5micrograms/dose inhalation powder capsules<br>with device | ■ | 30  |    | 2150   | C | Aectura Breezhaler                        |
| Indacaterol 125micrograms/dose / Mometasone<br>260micrograms/dose inhalation powder capsules                  | ■ | 30  |    | 2797   | C | Aectura Breezhaler                        |



|  |   |     |       |   |                          |
|--|---|-----|-------|---|--------------------------|
| with device  |   |     |       |   |                          |
| Indacaterol 125micrograms/dose / Mometasone 62.5micrograms/dose inhalation powder capsules with device               | ■ | 30  | 1749  | C | Aectura Breezhaler       |
| Indacaterol 150microgram inhalation powder capsules with device  | ■ | 30  | 3219  | C | Onbrez Breezhaler        |
| Indacaterol 300microgram inhalation powder capsules with device  | ■ | 30  | 3219  | C | Onbrez Breezhaler        |
| Indacaterol 85micrograms/dose / Glycopyrronium bromide 54micrograms/dose inhalation powder capsules with device      | ■ | 30  | 3250  | C | Ultibro Breezhaler       |
| Indapamide 1.5mg modified-release tablets  |   | 30  | 340   | C |                          |
| Indapamide 2.5mg tablets   |   | 28  | 185   | M |                          |
| Indometacin 100mg suppositories  |   | 10  | 1761  | C | Indocid                  |
| Indometacin 25mg capsules  |   | 28  | 136   | M |                          |
| Indometacin 50mg capsules  |   | 28  | 164   | M |                          |
| Indoramin 20mg tablets   |   | 60  | 1424  | △ | A                        |
| Indoramin 25mg tablets   |   | 84  | 6026  | C | Advanz Pharma            |
| Inosine acedoben dimepranol 500mg tablets  |   | 100 | 3950  | C | Imunovir                 |
| Insulin aspart 100units/ml solution for injection 1.6ml cartridges   |   | 5   | 1510  | C | NovoRapid PumpCart       |
| Insulin aspart 100units/ml solution for injection 10ml vials   | ■ | 1   | 1408  | C |                          |
| Insulin aspart 100units/ml solution for injection 3ml cartridges   |   | 5   | 2831  | C |                          |
| Insulin aspart 100units/ml solution for injection 3ml pre-filled disposable devices                                  |   | 5   | 3060  | C |                          |
| Insulin aspart biphasic 30/70 100units/ml suspension for injection 3ml cartridges                                    |   | 5   | 2879  | C | NovoMix 30 Penfill       |
| Insulin aspart biphasic 30/70 100units/ml suspension for injection 3ml pre-filled disposable devices                 |   | 5   | 2989  | C | NovoMix 30 FlexPen       |
| Insulin degludec 100units/ml / Liraglutide 3.6mg/ml solution for injection 3ml pre-filled disposable devices         |   | 3   | 9553  | C | Xultophy                 |
| Insulin degludec 100units/ml solution for injection 3ml cartridges   |   | 5   | 4660  | C | Tresiba Penfill          |
| Insulin degludec 100units/ml solution for injection 3ml pre-filled disposable devices                                |   | 5   | 4660  | C | Tresiba FlexTouch        |
| Insulin degludec 200units/ml solution for injection 3ml pre-filled disposable devices                                |   | 3   | 5592  | C | Tresiba FlexTouch        |
| Insulin detemir 100units/ml solution for injection 3ml cartridges  |   | 5   | 4200  | C | Levemir Penfill          |
| Insulin detemir 100units/ml solution for injection 3ml pre-filled disposable devices                                 |   | 5   | 4200  | C | Levemir FlexPen          |
| Insulin glargine 100units/ml / Lixisenatide 33micrograms/ml solution for injection 3ml pre-filled disposable devices |   | 3   | 4860  | C | Suliqua SoloStar         |
| Insulin glargine 100units/ml / Lixisenatide 50micrograms/ml solution for injection 3ml pre-filled disposable devices |   | 3   | 6750  | C | Suliqua SoloStar         |
| Insulin glargine 100units/ml solution for injection 10ml vials   | ■ | 1   | 2569  | C | Lantus                   |
| Insulin glargine 100units/ml solution for injection 3ml cartridges   |   | 5   | 3475  | C | Lantus                   |
| Insulin glargine 100units/ml solution for injection 3ml pre-filled disposable devices                                |   | 5   | 3475  | C | Lantus SoloStar          |
| Insulin glargine 300units/ml solution for injection 1.5ml pre-filled disposable devices                              |   | 3   | 3214  | C | Toujeo SoloStar          |
| Insulin glargine 300units/ml solution for injection 3ml pre-filled disposable devices                                |   | 3   | 6427  | C | Toujeo DoubleStar        |
| Insulin glulisine 100units/ml solution for injection 10ml vials  | ■ | 1   | 1600  | C | Apidra                   |
| Insulin glulisine 100units/ml solution for injection 3ml cartridges  |   | 5   | 2830  | C | Apidra                   |
| Insulin glulisine 100units/ml solution for injection 3ml pre-filled disposable devices                               |   | 5   | 2830  | C | Apidra SoloStar          |
| Insulin human 100units/ml solution for injection 3.15ml cartridges   |   | 5   | 25000 | C | Insuman Infusat          |
| Insulin isophane biphasic human 25/75 100units/ml suspension for injection 3ml cartridges                            |   | 5   | 1750  | C | Insuman Comb 25          |
| Insulin isophane biphasic human 25/75 100units/ml suspension for injection 3ml pre-filled disposable devices         |   | 5   | 1980  | C | Insuman Comb 25 SoloStar |
| Insulin isophane biphasic human 30/70 100units/ml  | ■ | 1   | 1568  | C | Humulin M3               |

|  |    |       |      |                              |                           |         |
|--|----|-------|------|------------------------------|---------------------------|---------|
| suspension for injection 10ml vials  |    |       |      |                              |                           |         |
| Insulin isophane biphasic human 30/70 100units/ml suspension for injection 3ml cartridges                    | 5  | 1908  | C    | Humulin M3                   |                           |         |
| Insulin isophane biphasic human 30/70 100units/ml suspension for injection 3ml pre-filled disposable devices | 5  | 2170  | C    | Humulin M3 KwikPen           |                           |         |
| Insulin isophane biphasic human 50/50 100units/ml suspension for injection 3ml cartridges                    | 5  | 1750  | C    | Insuman Comb 50              |                           |         |
| Insulin isophane biphasic porcine 30/70 100units/ml suspension for injection 10ml vials                      | ■  | 1     | 3939 | C                            | Hypurin Porcine 30/70 Mix |         |
| Insulin isophane biphasic porcine 30/70 100units/ml suspension for injection 3ml cartridges                  | 5  | 5908  | C    | Hypurin Porcine 30/70 Mix    |                           |         |
| Insulin isophane human 100units/ml suspension for injection 10ml vials                                       | ■  | 1     | 1568 | C                            | Humulin I                 |         |
| Insulin isophane human 100units/ml suspension for injection 3ml cartridges                                   | 5  | 1908  | C    | Humulin I                    |                           |         |
| Insulin isophane human 100units/ml suspension for injection 3ml pre-filled disposable devices                | 5  | 2170  | C    | Humulin I KwikPen            |                           |         |
| Insulin isophane porcine 100units/ml suspension for injection 10ml vials                                     | ■  | 1     | 3939 | C                            | Hypurin Porcine Isophane  |         |
| Insulin isophane porcine 100units/ml suspension for injection 3ml cartridges                                 | 5  | 5908  | C    | Hypurin Porcine Isophane     |                           |         |
| Insulin lispro 100units/ml solution for injection 10ml vials   | ■  | 1     | 1661 | C                            |                           |         |
| Insulin lispro 100units/ml solution for injection 3ml cartridges   | 5  | 2831  | C    |                              |                           |         |
| Insulin lispro 100units/ml solution for injection 3ml pre-filled disposable devices                          | 5  | 2946  | C    |                              |                           |         |
| Insulin lispro 200units/ml solution for injection 3ml pre-filled disposable devices                          | 5  | 5892  | C    |                              |                           |         |
| Insulin lispro biphasic 25/75 100units/ml suspension for injection 10ml vials                                | ■  | 1     | 1661 | C                            | Humalog Mix25             |         |
| Insulin lispro biphasic 25/75 100units/ml suspension for injection 3ml cartridges                            | 5  | 2946  | C    | Humalog Mix25                |                           |         |
| Insulin lispro biphasic 25/75 100units/ml suspension for injection 3ml pre-filled disposable devices         | 5  | 3098  | C    | Humalog Mix25 KwikPen        |                           |         |
| Insulin lispro biphasic 50/50 100units/ml suspension for injection 3ml cartridges                            | 5  | 2946  | C    | Humalog Mix50                |                           |         |
| Insulin lispro biphasic 50/50 100units/ml suspension for injection 3ml pre-filled disposable devices         | 5  | 3098  | C    | Humalog Mix50 KwikPen        |                           |         |
| Insulin soluble human 100units/ml solution for injection 10ml vials  | ■  | 1     | 1568 | C                            | Humulin S                 |         |
| Insulin soluble human 100units/ml solution for injection 3ml cartridges                                      | 5  | 1908  | C    | Humulin S                    |                           |         |
| Insulin soluble porcine 100units/ml solution for injection 10ml vials  | ■  | 1     | 3939 | C                            | Hypurin Porcine Neutral   |         |
| Insulin soluble porcine 100units/ml solution for injection 3ml cartridges                                    | 5  | 5908  | C    | Hypurin Porcine Neutral      |                           |         |
| Interferon beta-1b 300microgram powder and solvent for solution for injection vials                          | 15 | 59663 | C    |                              |                           |         |
| Ipratropium bromide 20micrograms/dose inhaler CFC free   | ■  | 200   | dose | 556                          | C                         |         |
| Ipratropium bromide 21micrograms/dose nasal spray  | ■  | 180   | dose | 654                          | C                         | Rinatec |
| Ipratropium bromide 250micrograms/1ml nebuliser liquid unit dose vials                                       | 20 | 566   | A    |                              |                           |         |
| Ipratropium bromide 500micrograms/2ml nebuliser liquid unit dose vials                                       | 20 | 324   | M    |                              |                           |         |
| Irbesartan 150mg / Hydrochlorothiazide 12.5mg tablets  | 28 | 1139  | A    |                              |                           |         |
| Irbesartan 150mg tablets   | 28 | 416   | M    |                              |                           |         |
| Irbesartan 300mg / Hydrochlorothiazide 12.5mg tablets  | 28 | 1593  | C    | CoAprovel                    |                           |         |
| Irbesartan 300mg / Hydrochlorothiazide 25mg tablets  | 28 | 674   | ▽    | A                            |                           |         |
| Irbesartan 300mg tablets   | 28 | 433   | M    |                              |                           |         |
| Irbesartan 75mg tablets  | 28 | 198   | M    |                              |                           |         |
| Iron dextran 100mg/2ml solution for injection ampoules   | 5  | 3985  | C    | CosmoFer                     |                           |         |
| Iron dextran 500mg/10ml solution for injection ampoules  | 2  | 7970  | C    | CosmoFer                     |                           |         |
| Iron sucrose 100mg/5ml solution for injection vials  | 5  | 5120  | C    | Venofer                      |                           |         |
| Isocarboxazid 10mg tablets   | 56 | 24910 | C    | Alliance Pharmaceuticals Ltd |                           |         |
| Isoniazid 100mg tablets  | 28 | 2513  | A    |                              |                           |         |

|  |     |    |       |   |                       |
|--|-----|----|-------|---|-----------------------|
| Isoniazid 50mg tablets   | 56  |    | 1925  | A |                       |
| Isopropyl alcohol 70% liquid   | 500 | ml | 519   | C | J M Loveridge Ltd     |
| Isopropyl myristate 15% / Liquid paraffin 15% gel  | 100 | g  | 265   | C |                       |
|  | 500 | g  | 583   | C | Doublebase            |
| Isosorbide dinitrate 10mg tablets  | 56  |    | 2077  | ▽ | A                     |
| Isosorbide dinitrate 20mg modified-release tablets   | 56  |    | 258   | C | Isoket Retard 20      |
| Isosorbide dinitrate 20mg tablets  | 56  |    | 2072  | ▽ | A                     |
| Isosorbide dinitrate 40mg modified-release tablets   | 56  |    | 636   | C | Isoket Retard 40      |
| Isosorbide mononitrate 10mg tablets  | 56  |    | 118   | M |                       |
| Isosorbide mononitrate 20mg tablets  | 56  |    | 151   | M |                       |
| Isosorbide mononitrate 25mg modified-release capsules  | 28  |    | 340   | C | Elantan LA25          |
| Isosorbide mononitrate 25mg modified-release tablets   | 28  |    | 675   | C | Isotard 25XL          |
| Isosorbide mononitrate 40mg modified-release capsules  | 28  |    | 652   | C | Nyzamac SR            |
| Isosorbide mononitrate 40mg modified-release tablets   | 28  |    | 675   | C | Isotard 40XL          |
| Isosorbide mononitrate 40mg tablets  | 56  |    | 207   | M |                       |
| Isosorbide mononitrate 50mg modified-release capsules  | 28  |    | 369   | C | Elantan LA50          |
| Isosorbide mononitrate 50mg modified-release tablets   | 28  |    | 675   | C | Isotard 50 XL         |
| Isosorbide mononitrate 60mg modified-release capsules  | 28  |    | 886   | C | Nyzamac SR            |
| Isosorbide mononitrate 60mg modified-release tablets   | 28  |    | 1050  | C | Imdur                 |
| Isotretinoin 10mg capsules   | 30  |    | 1453  | A |                       |
| Isotretinoin 20mg capsules   | 30  |    | 1666  | A |                       |
| Isotretinoin 5mg capsules  | 56  |    | 1479  | A |                       |
| Ispaghula husk 3.5g / Mebeverine 135mg effervescent granules sachets sugar free                          | 10  |    | 621   | C | Fybogel Mebeverine    |
| Ispaghula husk 3.5g effervescent granules sachets gluten free sugar free                                 | 30  |    | 324   | C | Fybogel               |
| Itraconazole 100mg capsules  | 15  |    | 366   | M |                       |
| Itraconazole 50mg/5ml oral solution sugar free   | 150 | ml | 5928  | A |                       |
| Ivabradine 2.5mg tablets   | 56  |    | 4096  | M |                       |
| Ivabradine 5mg tablets   | 56  |    | 459   | M |                       |
|  | (4x |    |       |   |                       |
|  | 14) |    |       |   |                       |
| Ivabradine 7.5mg tablets   | 56  |    | 490   | M |                       |
|  | (4x |    |       |   |                       |
|  | 14) |    |       |   |                       |
| Ivermectin 10mg/g cream  | 30  | g  | 1829  | C | Soolantra             |
| Japanese encephalitis vaccine (inactivated, adsorbed) suspension for injection 0.5ml pre-filled syringes | 1   |    | 6248  | C | Ixiaro                |
| Kaolin and Morphine mixture  | 200 | ml | 171   | C | Thornton & Ross Ltd   |
| Kaolin poultices   | 200 | g  | 276   | C | KL Pharmaceutical Ltd |
| Ketamine 200mg/20ml solution for injection vials   | 1   |    | 506   | C | Ketalar               |
| Ketamine 500mg/10ml solution for injection vials   | 1   |    | 877   | C | Ketalar               |
| Ketoconazole 2% cream  | 30  | g  | 424   | C | Nizoral               |
| Ketoconazole 2% shampoo  | 120 | ml | 698   | △ | A                     |
| Ketoconazole 200mg tablets   | 60  |    | 49750 | △ | A                     |
| Ketoprofen 100mg modified-release capsules   | 56  |    | 2393  | C | Oruvail 100           |
| Ketoprofen 2.5% gel  | 50  | g  | 183   | A |                       |
| Ketoprofen 200mg modified-release capsules   | 28  |    | 2385  | C | Oruvail 200           |
| Ketorolac 0.5% eye drops   | 5   | ml | 399   | A |                       |
| Ketorolac 30mg/1ml solution for injection ampoules   | 5   |    | 536   | C | Toradol               |
| Ketotifen 1mg tablets  | 60  |    | 753   | C | Zaditen               |
| Ketotifen 1mg/5ml oral solution sugar free   | 300 | ml | 891   | C | Zaditen Elixir        |
| Ketotifen 250micrograms/ml eye drops   | 5   | ml | 780   | C | Zaditen               |
| Ketotifen 250micrograms/ml eye drops 0.4ml unit dose preservative free                                   | 30  |    | 695   | C | Ketofall              |
| Labetalol 100mg tablets  | 56  |    | 538   | M |                       |
| Labetalol 100mg/20ml solution for injection ampoules   | 5   |    | 12645 | A |                       |
| Labetalol 200mg tablets  | 56  |    | 763   | M |                       |
| Labetalol 400mg tablets  | 56  |    | 1964  | A |                       |
| Labetalol 50mg tablets   | 56  |    | 379   | C | Trandate              |
| Lacidipine 2mg tablets   | 28  |    | 182   | M |                       |
| Lacidipine 4mg tablets   | 28  |    | 175   | M |                       |

|  |      |    |        |   |                      |
|--|------|----|--------|---|----------------------|
| Lacosamide 100mg tablets   | 56   |    | 8650   | C | Vimpat               |
| Lacosamide 10mg/ml oral solution sugar free  | 200  | ml | 2574   | C | Vimpat Syrup         |
| Lacosamide 150mg tablets   | 56   |    | 12974  | C | Vimpat               |
| Lacosamide 200mg tablets   | 56   |    | 14416  | C | Vimpat               |
| Lacosamide 50mg tablets  | 14   |    | 1081   | C | Vimpat               |
| Lactulose 10g/15ml oral solution 15ml sachets sugar free                                       | 10   |    | 255    | A |                      |
| Lactulose 3.1-3.7g/5ml oral solution   | 500  | ml | 334    | M |                      |
| Lamivudine 100mg tablets   | 28   |    | 7417   | A |                      |
| Lamivudine 150mg tablets   | 60   |    | 14332  | C | Epivir               |
| Lamivudine 300mg tablets   | 30   |    | 15751  | C | Epivir               |
| Lamotrigine 100mg dispersible tablets sugar free   | 56   |    | 1449   | M |                      |
| Lamotrigine 100mg tablets  | 56   |    | 365    | M |                      |
| Lamotrigine 200mg tablets  | 56   |    | 514    | M |                      |
| Lamotrigine 25mg dispersible tablets sugar free  | 56   |    | 821    | M |                      |
| Lamotrigine 25mg tablets   | 56   |    | 240    | M |                      |
| Lamotrigine 2mg dispersible tablets sugar free   | 30   |    | 1881   | C | Lamictal Dispersible |
| Lamotrigine 50mg tablets   | 56   |    | 278    | M |                      |
| Lamotrigine 5mg dispersible tablets sugar free   | 28   |    | 587    | M |                      |
| Lanreotide 120mg/0.5ml solution for injection pre-filled syringes                              | 1    |    | 93700  | C | Somatuline Autogel   |
| Lanreotide 30mg powder and solvent for suspension for injection vials                          | 1    |    | 32300  | C | Somatuline LA        |
| Lanreotide 60mg/0.5ml solution for injection pre-filled syringes                               | 1    |    | 55100  | C | Somatuline Autogel   |
| Lanreotide 90mg/0.5ml solution for injection pre-filled syringes                               | 1    |    | 73600  | C | Somatuline Autogel   |
| Lansoprazole 15mg gastro-resistant capsules  | 28   |    | 104    | M |                      |
| Lansoprazole 15mg orodispersible tablets   | 28   |    | 358    | M |                      |
| Lansoprazole 30mg gastro-resistant capsules  | 28   |    | 129    | M |                      |
| Lansoprazole 30mg orodispersible tablets   | 28   |    | 515    | M |                      |
| Lanthanum carbonate 1g chewable tablets  | 90   |    | 19359  | C | Fosrenol             |
| Lanthanum carbonate 1g oral powder sachets   | 90   |    | 19359  | C | Fosrenol             |
| Lanthanum carbonate 500mg chewable tablets   | 90   |    | 12406  | C | Fosrenol             |
| Lanthanum carbonate 750mg chewable tablets   | 90   |    | 18260  | C | Fosrenol             |
| Lanthanum carbonate 750mg oral powder sachets  | 90   |    | 18260  | C | Fosrenol             |
| Latanoprost 50micrograms/ml / Timolol 5mg/ml eye drops   | 2.5  | ml | 444    | M |                      |
| Latanoprost 50micrograms/ml / Timolol 5mg/ml eye drops 0.2ml unit dose preservative free       | 30   |    | 1349   | C | Fixapost             |
|  | (6x  |    |        |   |                      |
|  | 5)   |    |        |   |                      |
| Latanoprost 50micrograms/ml eye drops  | 2.5  | ml | 215    | M |                      |
| Latanoprost 50micrograms/ml eye drops 0.2ml unit dose preservative free                        | 30   |    | 849    | C | Monopost             |
|  | (6x  |    |        |   |                      |
|  | 5)   |    |        |   |                      |
|  | 90   |    | 2547   | C | Monopost             |
|  | (18x |    |        |   |                      |
|  | 5)   |    |        |   |                      |
| Leflunomide 10mg tablets   | 30   |    | 366    | M |                      |
| Leflunomide 15mg tablets   | 30   |    | 4600   | C | medac UK             |
| Leflunomide 20mg tablets   | 30   |    | 370    | M |                      |
| Lemon spirit   | 100  | ml | 1349   | C | J M Loveridge Ltd    |
| Lenalidomide 10mg capsules   | 21   |    | 378000 | C | Revlimid             |
| Lenalidomide 15mg capsules   | 21   |    | 396900 | C | Revlimid             |
| Lenalidomide 2.5mg capsules  | 21   |    | 342600 | C | Revlimid             |
| Lenalidomide 20mg capsules   | 21   |    | 416850 | C | Revlimid             |
| Lenalidomide 25mg capsules   | 21   |    | 436800 | C | Revlimid             |
| Lenalidomide 5mg capsules  | 21   |    | 357000 | C | Revlimid             |
| Lenalidomide 7.5mg capsules  | 21   |    | 367500 | C | Revlimid             |
| Lenograstim 13.4million unit powder and solvent for solution for injection pre-filled syringes | 1    |    | 4011   | C | Granocyte            |
| Lenograstim 33.6million unit powder and solvent for solution for injection pre-filled syringes | 1    |    | 6254   | C | Granocyte            |
| Lercanidipine 10mg tablets   | 28   |    | 184    | M |                      |
| Lercanidipine 20mg tablets   | 28   |    | 198    | M |                      |
| Letrozole 2.5mg tablets  | 14   |    | 161    | M |                      |
| Leuprorelin 11.25mg powder and solvent for suspension for injection pre-filled syringes        | 1    |    | 22572  | C | Prostap 3 DCS        |
| Leuprorelin 3.75mg powder and solvent for suspension for injection pre-filled syringes         | 1    |    | 7524   | C | Prostap SR DCS       |
| Levetiracetam 100mg/ml oral solution sugar free  | 300  | ml | 634    | M |                      |
| Levetiracetam 1g granules sachets sugar free   | 60   |    | 7627   | C | Desitrend            |
| Levetiracetam 1g tablets   | 60   |    | 816    | M |                      |
| Levetiracetam 250mg granules sachets sugar free  | 60   |    | 2241   | C | Desitrend            |
| Levetiracetam 250mg tablets  | 60   |    | 282    | M |                      |

|   |     |    |        |   |                       |
|---|-----|----|--------|---|-----------------------|
| Levetiracetam 500mg granules sachets sugar free                           | 60  |    | 3946   | C | Desitrend             |
| Levetiracetam 500mg tablets   | 60  |    | 459    | M |                       |
| Levetiracetam 500mg/5ml solution for infusion ampoules                    | 10  |    | 12731  | C | Desitrend             |
| Levetiracetam 500mg/5ml solution for infusion vials                       | 10  |    | 12731  | C | Keppra                |
| Levetiracetam 750mg tablets   | 60  |    | 578    | M |                       |
| Levobunolol 0.5% eye drops 0.4ml unit dose preservative free              | 30  |    | 998    | C | Betagan Unit Dose     |
| Levocarnitine 1.5g/5ml oral solution paediatric                           | 20  | ml | 7140   | A |                       |
| Levocarnitine 1g chewable tablets   | 10  |    | 3500   | C | Carnitor              |
| Levocarnitine 1g/10ml oral solution unit dose vials sugar free            | 10  |    | 3500   | C | Carnitor              |
| Levocarnitine 1g/5ml solution for injection ampoules                      | 5   |    | 5950   | C | Carnitor              |
| Levocetirizine 500micrograms/ml oral solution sugar free                  | 200 | ml | 600    | C | Xyzal                 |
| Levocetirizine 5mg tablets  | 30  |    | 437    | A |                       |
| Levodopa 100mg / Carbidopa 25mg / Entacapone 200mg tablets                | 30  |    | 2079   | C | Stalevo               |
| Levodopa 125mg / Carbidopa 31.25mg / Entacapone 200mg tablets             | 100 |    | 6931   | C | Stalevo               |
| Levodopa 125mg / Carbidopa 31.25mg / Entacapone 200mg tablets             | 30  |    | 2079   | C | Stalevo               |
| Levodopa 150mg / Carbidopa 37.5mg / Entacapone 200mg tablets              | 100 |    | 6931   | C | Stalevo               |
| Levodopa 150mg / Carbidopa 37.5mg / Entacapone 200mg tablets              | 30  |    | 2079   | C | Stalevo               |
| Levodopa 175mg / Carbidopa 43.75mg / Entacapone 200mg tablets             | 100 |    | 6931   | C | Stalevo               |
| Levodopa 175mg / Carbidopa 43.75mg / Entacapone 200mg tablets             | 30  |    | 2079   | C | Stalevo               |
| Levodopa 200mg / Carbidopa 50mg / Entacapone 200mg tablets                | 100 |    | 6931   | C | Stalevo               |
| Levodopa 200mg / Carbidopa 50mg / Entacapone 200mg tablets                | 30  |    | 2079   | C | Stalevo               |
| Levodopa 50mg / Carbidopa 12.5mg / Entacapone 200mg tablets               | 100 |    | 6931   | C | Stalevo               |
| Levodopa 50mg / Carbidopa 12.5mg / Entacapone 200mg tablets               | 30  |    | 2079   | C | Stalevo               |
| L1evodopa 75mg / Carbidopa 18.75mg / Entacapone 200mg tablets             | 100 |    | 6931   | C | Stalevo               |
| L1evodopa 75mg / Carbidopa 18.75mg / Entacapone 200mg tablets             | 30  |    | 2079   | C | Stalevo               |
| Levofloxacin 100mg/ml nebuliser liquid ampoules                           | 56  |    | 218153 | C | Quinsair              |
| Levofloxacin 250mg tablets  | 5   |    | 528    | ▽ | A                     |
| Levofloxacin 250mg tablets  | 10  |    | 1054   | ▽ | A                     |
| Levofloxacin 500mg tablets  | 5   |    | 1006   | ▽ | A                     |
| Levofloxacin 500mg tablets  | 10  |    | 2011   | ▽ | A                     |
| Levofloxacin 5mg/ml eye drops   | 5   | ml | 797    | △ | A                     |
| Levofloxacin 5mg/ml eye drops 0.3ml unit dose preservative free           | 30  |    | 1795   | C | Oftequix              |
| Levofloxacin 5mg/ml eye drops preservative free                           | 5   | ml | 1346   | C | Eyfloxx               |
| Levomethol 0.3% ointment  | 14  | g  | 214    | C | Happinose             |
| Levomopromazine 25mg tablets  | 84  |    | 2026   | C | Nozinan               |
| Levomopromazine 25mg/1ml solution for injection ampoules                  | 10  |    | 2013   | C | Nozinan               |
| Levomopromazine 6mg tablets   | 28  |    | 24000  | A |                       |
| Levonorgestrel 1.5mg tablets  | 1   |    | 520    | A |                       |
| Levonorgestrel 13.5mg intrauterine device                                 | 1   |    | 6922   | C | Jaydess               |
| Levonorgestrel 19.5mg intrauterine device                                 | 1   |    | 7600   | C | Kyleena               |
| Levonorgestrel 20micrograms/24hours intrauterine device                   | 1   |    | 8800   | C | Mirena                |
| Levonorgestrel 30microgram tablets  | 35  |    | 92     | C | Norgeston             |
| Levothyroxine sodium 100microgram tablets                                 | 28  |    | 116    | M |                       |
| Levothyroxine sodium 100micrograms/5ml oral solution sugar free           | 100 | ml | 16499  | A |                       |
| Levothyroxine sodium 12.5microgram tablets                                | 28  |    | 1249   | A |                       |
| Levothyroxine sodium 125micrograms/5ml oral solution sugar free           | 100 | ml | 18500  | C | Zentiva Pharma UK Ltd |
| Levothyroxine sodium 25microgram tablets                                  | 28  |    | 129    | M |                       |
| Levothyroxine sodium 25micrograms/5ml oral solution sugar free            | 100 | ml | 9499   | A |                       |
| Levothyroxine sodium 50microgram tablets                                  | 28  |    | 115    | M |                       |
| Levothyroxine sodium 50micrograms/5ml oral solution sugar free            | 100 | ml | 9044   | ▽ | A                     |
| Levothyroxine sodium 75microgram tablets                                  | 28  |    | 258    | A |                       |
| Lidocaine 0.05% / Chlorhexidine 0.2% oromucosal spray sugar free          | 30  | ml | 450    | C | Covonia Sore Throat   |
| Lidocaine 0.33% / Cetylpyridinium chloride 0.1% oromucosal gel sugar free | 10  | g  | 196    | C | Calgel                |

|  |   |               |    |        |   |                              |
|--|---|---------------|----|--------|---|------------------------------|
| Lidocaine 0.66% / Aminoacridine 0.05% oromucosal gel   | ■ | 15            | g  | 158    | C | Medijel                      |
| Lidocaine 0.66% / Aminoacridine 0.05% oromucosal gel sugar free  | ■ | 8             | g  | 372    | C | Iglu                         |
| Lidocaine 1% / Hydrocortisone 0.2% spray   | ■ | 30            | ml | 611    | C | Perinal                      |
| Lidocaine 10% spray sugar free   | ■ | 50            | ml | 629    | C | Xylocaine                    |
| Lidocaine 100mg/10ml (1%) solution for injection ampoules  |   | 10            |    | 500    | A |                              |
| Lidocaine 100mg/5ml (2%) solution for injection ampoules   |   | 10            |    | 320    | A |                              |
| Lidocaine 2% and Chlorhexidine gel   |   | 60            | ml | 1050   | C | Instillagel                  |
|  |   | (10x<br>■ 6)  |    |        |   |                              |
|  |   | 110           | ml | 1100   | C | Instillagel                  |
|  |   | (10x<br>■ 11) |    |        |   |                              |
| Lidocaine 2% cream   | ■ | 30            | g  | 299    | C | Vagisil                      |
| Lidocaine 2.5% / Prilocaine 2.5% cream   | ■ | 30            | g  | 1230   | C | Emla                         |
| Lidocaine 200mg/10ml (2%) solution for injection ampoules  |   | 20            |    | 1495   | C | Lidocaine Mini-Plasco        |
| Lidocaine 200mg/20ml (1%) / Adrenaline (base) 100micrograms/20ml (1 in 200,000) solution for injection vials       |   | 5             |    | 966    | C | Xylocaine 1% with Adrenaline |
| Lidocaine 200mg/20ml (1%) solution for injection ampoules  |   | 10            |    | 1320   | C | hameln pharma Ltd            |
| Lidocaine 200mg/20ml (1%) solution for injection vials   |   | 10            |    | 2640   | C | hameln pharma Ltd            |
| Lidocaine 20mg/2ml (1%) solution for injection ampoules  |   | 10            |    | 250    | A |                              |
| Lidocaine 36mg/1.8ml (2%) / Adrenaline (base) 22.5micrograms/1.8ml (1 in 80,000) solution for injection cartridges |   | 50            |    | 2195   | C | Lignospan Special            |
| Lidocaine 4% / Fluorescein 0.25% eye drops 0.5ml unit dose preservative free                                       |   | 20            |    | 1169   | C | Minims                       |
| Lidocaine 4% cream   | ■ | 5             | g  | 298    | C | LMX 4                        |
|  | ■ | 30            | g  | 1490   | C | LMX 4                        |
| Lidocaine 400mg/20ml (2%) / Adrenaline (base) 100micrograms/20ml (1 in 200,000) solution for injection vials       |   | 5             |    | 885    | C | Xylocaine 2% with Adrenaline |
| Lidocaine 400mg/20ml (2%) solution for injection ampoules  |   | 10            |    | 1364   | C | hameln pharma Ltd            |
| Lidocaine 400mg/20ml (2%) solution for injection vials   |   | 10            |    | 2750   | C | hameln pharma Ltd            |
| Lidocaine 40mg/2ml (2%) solution for injection ampoules  |   | 10            |    | 270    | A |                              |
| Lidocaine 44mg/2.2ml (2%) / Adrenaline (base) 27.5micrograms/2.2ml (1 in 80,000) solution for injection cartridges |   | 50            |    | 2195   | C | Lignospan Special            |
| Lidocaine 5% / Hydrocortisone acetate 0.275% ointment  | ■ | 20            | g  | 419    | C | Xyloproct                    |
| Lidocaine 5% / Phenylephrine 0.5% nasal spray  | ■ | 2.5           | ml | 1565   | △ | A                            |
| Lidocaine 5% medicated plasters  |   | 30            |    | 7240   | C | Versatis                     |
|  |   | (6x<br>■ 5)   |    |        |   |                              |
| Lidocaine 5% ointment  | ■ | 15            | g  | 828    | C | A A H Pharmaceuticals Ltd    |
| Lidocaine 50mg/10ml (0.5%) solution for injection ampoules   |   | 10            |    | 1000   | C | Advanz Pharma                |
| Lidocaine 50mg/5ml (1%) solution for injection ampoules  |   | 10            |    | 300    | A |                              |
| Lidocaine 7.5mg/actuation / Prilocaine 2.5mg/actuation cutaneous spray   | ■ | 5             | ml | 5999   | C | Fortacin                     |
| Lidocaine hydrochloride 0.5% / Cetylpyridinium chloride 0.025% oromucosal gel sugar free                           | ■ | 15            | g  | 258    | C | Bonjela Junior               |
| Linaclotide 290microgram capsules  | ■ | 28            |    | 3756   | C | Constella                    |
| Linagliptin 2.5mg / Metformin 1g tablets   |   | 56            |    | 3326   | C | Jentadueto                   |
| Linagliptin 2.5mg / Metformin 850mg tablets  |   | 56            |    | 3326   | C | Jentadueto                   |
| Linagliptin 5mg tablets  |   | 28            |    | 3326   | C | Trajenta                     |
| Linezolid 100mg/5ml oral suspension  | ● | 150           | ml | 22250  | C | Zyvox                        |
| Linezolid 600mg tablets  |   | 10            |    | 32724  | A |                              |
| Liothyronine 10microgram tablets   |   | 28            |    | 14800  | C | Morningside Healthcare Ltd   |
| Liothyronine 20microgram powder for solution for injection vials   |   | 5             |    | 156750 | C | Advanz Pharma                |
| Liothyronine 20microgram tablets   |   | 28            |    | 10129  | M |                              |
| Liothyronine 5microgram tablets  |   | 28            |    | 9800   | A |                              |
| Liquid paraffin 65% bath additive  | ■ | 500           | ml | 545    | C | Doublebase                   |

|  |      |    |       |   |                                   |
|--|------|----|-------|---|-----------------------------------|
| Liquid paraffin light 63.4% bath additive  | 150  | ml | 295   | C |                                   |
|  | 300  | ml | 502   | C |                                   |
|  | 500  | ml | 580   | C | Oilatum Emollient                 |
|  | 600  | ml | 734   | C | Oilatum Junior                    |
| Liquid paraffin light 70% gel  | 150  | g  | 527   | C | Oilatum shower gel fragrance free |
| Liquid paraffin light 82.8% bath additive  | 500  | ml | 575   | C | Cetaben emollient                 |
| Liquid paraffin light liquid   | 500  | ml | 474   | C | J M Loveridge Ltd                 |
| Liquid paraffin liquid   | 150  | ml | 137   | C | Bell, Sons & Co (Druggists) Ltd   |
|  | 2000 | ml | 1240  | C | J M Loveridge Ltd                 |
|  | 5000 | ml | 2466  | C | J M Loveridge Ltd                 |
| Liquorice liquid extract   | 500  | ml | 1272  | C | J M Loveridge Ltd                 |
| Liraglutide 6mg/ml solution for injection 3ml pre-filled disposable devices              | 2    |    | 7848  | C | Victoza                           |
| Lisdexamfetamine 20mg capsules   | 28   |    | 5462  | C | Elvanse                           |
| Lisdexamfetamine 30mg capsules   | 28   |    | 5824  | C |                                   |
| Lisdexamfetamine 40mg capsules   | 28   |    | 6282  | C | Elvanse                           |
| Lisdexamfetamine 50mg capsules   | 28   |    | 6860  | C |                                   |
| Lisdexamfetamine 60mg capsules   | 28   |    | 7518  | C | Elvanse                           |
| Lisdexamfetamine 70mg capsules   | 28   |    | 8316  | C |                                   |
| Lisinopril 10mg / Hydrochlorothiazide 12.5mg tablets                                     | 28   |    | 227   | A |                                   |
| Lisinopril 10mg tablets  | 28   |    | 92    | M |                                   |
| Lisinopril 2.5mg tablets   | 28   |    | 85    | M |                                   |
| Lisinopril 20mg / Hydrochlorothiazide 12.5mg tablets                                     | 28   |    | 246   | △ | A                                 |
| Lisinopril 20mg tablets  | 28   |    | 108   | M |                                   |
| Lisinopril 5mg tablets   | 28   |    | 86    | M |                                   |
| Lisinopril 5mg/5ml oral solution sugar free  | 150  | ml | 15411 | A |                                   |
| Lithium carbonate 200mg modified-release tablets   | 100  |    | 750   | C | Priadel                           |
| Lithium carbonate 250mg tablets  | 100  |    | 8700  | A |                                   |
| Lithium carbonate 400mg modified-release tablets   | 100  |    | 850   | C | Priadel                           |
| Lithium carbonate 450mg modified-release tablets   | 60   |    | 1184  | C | Liskonum                          |
| Lithium citrate 1.018g/5ml oral solution   | 150  | ml | 1749  | C | Li-Liquid                         |
| Lithium citrate 509mg/5ml oral solution  | 150  | ml | 579   | C | Li-Liquid                         |
| Lithium citrate 520mg/5ml oral solution sugar free                                       | 150  | ml | 673   | C | Priadel                           |
| Lixisenatide 10micrograms/0.2ml solution for injection 3ml pre-filled disposable devices | 1    |    | 3167  | C | Lyxumia                           |
| Lixisenatide 20micrograms/0.2ml solution for injection 3ml pre-filled disposable devices | 2    |    | 5793  | C | Lyxumia                           |
| Lodoxamide 0.1% eye drops  | 10   | ml | 521   | C | Alomide                           |
| Lofepamine 70mg tablets  | 56   |    | 1695  | M |                                   |
| Lofepamine 70mg/5ml oral suspension sugar free   | 150  | ml | 3387  | A |                                   |
| Loperamide 1mg/5ml oral solution sugar free  | 100  | ml | 117   | C | Imodium Syrup                     |
| Loperamide 2mg / Simeticone 125mg tablets  | 6    |    | 302   | C | Imodium Plus Comfort              |
|  | 12   |    | 440   | C | Imodium Plus                      |
| Loperamide 2mg capsules  | 30   |    | 151   | M |                                   |
| Loperamide 2mg orodispersible tablets sugar free   | 18   |    | 615   | C | Imodium Instant Melts             |
| Loperamide 2mg tablets   | 30   |    | 154   | M |                                   |
| Loprazolam 1mg tablets   | 28   |    | 2250  | A |                                   |
| Loratadine 10mg tablets  | 30   |    | 110   | M |                                   |
| Loratadine 5mg/5ml oral solution   | 100  | ml | 197   | M |                                   |
| Loratadine 5mg/5ml oral solution sugar free  | 100  | ml | 285   | C | Torrent Pharma (UK) Ltd           |
| Lorazepam 1mg tablets  | 28   |    | 297   | M |                                   |
| Lorazepam 1mg/ml oral solution sugar free  | 150  | ml | 10362 | A |                                   |
| Lorazepam 2.5mg tablets  | 28   |    | 485   | M |                                   |
| Lorazepam 500microgram tablets   | 28   |    | 2550  | △ | A                                 |
| Lormetazepam 1mg tablets   | 30   |    | 1777  | A |                                   |
| Lormetazepam 500microgram tablets  | 30   |    | 1894  | A |                                   |
| Losartan 100mg / Hydrochlorothiazide 12.5mg tablets                                      | 28   |    | 907   | ▽ | A                                 |
| Losartan 100mg / Hydrochlorothiazide 25mg tablets  | 28   |    | 152   | M |                                   |
| Losartan 100mg tablets   | 28   |    | 152   | M |                                   |
| Losartan 12.5mg tablets  | 28   |    | 357   | M |                                   |
| Losartan 25mg tablets  | 28   |    | 110   | M |                                   |
| Losartan 50mg / Hydrochlorothiazide 12.5mg tablets                                       | 28   |    | 145   | M |                                   |
| Losartan 50mg tablets  | 28   |    | 125   | M |                                   |
| Loteprednol 0.5% eye drops   | 5    | ml | 550   | C | Lotemax                           |
| Lurasidone 18.5mg tablets  | 28   |    | 9072  | C | Latuda                            |
| Lurasidone 37mg tablets  | 28   |    | 9072  | C | Latuda                            |
| Lurasidone 74mg tablets  | 28   |    | 9072  | C | Latuda                            |
| Lymecycline 408mg capsules   | 28   |    | 634   | M |                                   |
|  | 56   |    | 1268  | M |                                   |
| Macrogol 3350 oral powder 8.5g sachets sugar free  | 28   |    | 4985  | C | TransiSoft                        |

|   |                        |     |       |       |  |            |
|---|------------------------|-----|-------|-------|--|------------|
| Macrogol compound half-strength oral powder sachets NPF sugar free  | 30                     |     | 438   | C     | Movicol Paediatric                     |            |
| Macrogol compound oral liquid 25ml sachets NPF sugar free   | 30                     |     | 772   | C     | Movicol Ready to Take                  |            |
| Macrogol compound oral liquid NPF sugar free  | 500                    | ml  | 541   | C     | Movicol Liquid                         |            |
| Macrogol compound oral powder sachets NPF sugar free  | 30                     |     | 748   | M     |  |            |
| Magnesium aspartate (magnesium 10mmol) oral powder sachets  | 10                     |     | 945   | C     | Magnaspartate                          |            |
| Magnesium glycerophosphate (magnesium 121.25mg/5ml (5mmol/5ml)) oral solution                                       | 200                    | ml  | 3787  | C     | MagnaPhos                              |            |
| Magnesium glycerophosphate (magnesium 97.2mg (4mmol)) chewable tablets sugar free                                   | 50                     |     | 2277  | C     | Neomag                                 |            |
| Magnesium hydroxide 7.45-8.35% oral suspension BP   | 200                    | ml  | 322   | C     | Phillips' Milk of Magnesia             |            |
| Magnesium hydroxide 8% oral suspension  | 500                    | ml  | 805   | C     | Alliance Healthcare (Distribution) Ltd |            |
| Magnesium sulfate 10% (magnesium 0.4mmol/ml) solution for injection 10ml ampoules                                   | 10                     |     | 9071  | △     | A                                      |            |
| Magnesium sulfate 50% (magnesium 2mmol/ml) solution for injection 10ml ampoules                                     | 10                     |     | 2171  | A     |  |            |
| Magnesium sulfate 50% (magnesium 2mmol/ml) solution for injection 2ml ampoules                                      | 10                     |     | 1735  | A     |  |            |
| Magnesium sulfate paste   | 50                     | g   | 367   | A     |  |            |
| Magnesium sulfate powder  | 500                    | g   | 403   | C     | J M Loveridge Ltd                      |            |
| Magnesium trisilicate compound tablets  | 100                    |     | 2778  | A     |  |            |
| Magnesium trisilicate oral suspension   | 200                    | ml  | 165   | C     | Thornton & Ross Ltd                    |            |
| Malathion 0.5% aqueous liquid   | ■                      | 150 | ml    | 974   | C                                      | Derbac-M   |
| Mannitol 40mg inhalation powder capsules with two devices   | ■                      | 280 |       | 23166 | C                                      | Bronchitol |
| Maraviroc 150mg tablets   | 60                     |     | 51914 | C     | Celsentri                              |            |
| Maraviroc 20mg/ml oral solution sugar free  | 230                    | ml  | 23044 | C     | Celsentri                              |            |
| Maraviroc 25mg tablets  | 120                    |     | 14709 | C     | Celsentri                              |            |
| Maraviroc 300mg tablets   | 60                     |     | 51914 | C     | Celsentri                              |            |
| Maraviroc 75mg tablets  | 120                    |     | 44127 | C     | Celsentri                              |            |
| Measles, Mumps and Rubella vaccine (live) powder and solvent for solution for injection 0.5ml pre-filled syringes   | ■                      | 1   | 764   | C     | Priorix                                |            |
| Measles, Mumps and Rubella vaccine (live) powder and solvent for suspension for injection 0.5ml pre-filled syringes | ■                      | 1   | 1100  | C     | M-M-RVAXPRO                            |            |
| Mebendazole 100mg chewable tablets sugar free   | 6                      |     | 134   | C     | Vermox                                 |            |
| Mebendazole 100mg/5ml oral suspension   | ■                      | 30  | ml    | 155   | C                                      | Vermox     |
| Mebeverine 135mg tablets  | 100                    |     | 387   | M     |  |            |
| Mebeverine 200mg modified-release capsules  | 60                     |     | 759   | M     |  |            |
| Mebeverine 50mg/5ml oral suspension sugar free  | 300                    | ml  | 21725 | A     |  |            |
| Medroxyprogesterone 100mg tablets   | 100                    |     | 4994  | C     | Provera                                |            |
| Medroxyprogesterone 104mg/0.65ml suspension for injection pre-filled disposable devices                             | ■                      | 1   | 690   | C     | Sayana Press                           |            |
| Medroxyprogesterone 10mg tablets  | 90                     |     | 2216  | C     | Provera                                |            |
| Medroxyprogesterone 150mg/1ml suspension for injection pre-filled syringes  | ■                      | 1   | 601   | C     | Depo-Provera                           |            |
| Medroxyprogesterone 2.5mg tablets   | 30                     |     | 184   | C     | Provera                                |            |
| Medroxyprogesterone 200mg tablets   | 30                     |     | 2965  | C     | Provera                                |            |
| Medroxyprogesterone 400mg tablets   | 30                     |     | 5867  | C     | Provera                                |            |
| Medroxyprogesterone 5mg tablets   | 10                     |     | 123   | C     | Provera                                |            |
| Mefenamic acid 250mg capsules   | 100                    |     | 2390  | A     |  |            |
| Mefenamic acid 500mg tablets  | 28                     |     | 2080  | M     |  |            |
| Mefenamic acid 50mg/5ml oral suspension   | 125                    | ml  | 17900 | A     |  |            |
| Mefloquine 250mg tablets  | 8                      |     | 1453  | C     | Lariam                                 |            |
| Megestrol 160mg tablets   | 30                     |     | 1952  | C     | Megace                                 |            |
| Meglumine amidotrizoate 3.3g/5ml / Sodium amidotrizoate 500mg/5ml oral solution sugar free                          | 1000<br>(10x<br>■ 100) | ml  | 17500 | C     | Gastrografin                           |            |
| Melatonin 1mg modified-release tablets  | 60                     |     | 4120  | C     | Slenyto                                |            |
| Melatonin 1mg/ml oral solution sugar free   | 150                    | ml  | 13000 | A     |  |            |
| Melatonin 2mg capsules  | 30                     |     | 5750  | C     | Colonis Pharma Ltd                     |            |
| Melatonin 2mg modified-release tablets  | 30                     |     | 1539  | C     | Circadin                               |            |
| Melatonin 3mg capsules  | 30                     |     | 6250  | C     | Colonis Pharma Ltd                     |            |
| Melatonin 3mg tablets   | 30                     |     | 1982  | △     | A                                      |            |
| Melatonin 5mg capsules  | 30                     |     | 10500 | C     | Colonis Pharma Ltd                     |            |
| Melatonin 5mg modified-release tablets  | 30                     |     | 10300 | C     | Slenyto                                |            |
| Meloxicam 15mg orodispersible tablets sugar free  | 30                     |     | 2550  | C     | Fontus Health Ltd                      |            |
| Meloxicam 15mg tablets  | 30                     |     | 491   | M     |  |            |
| Meloxicam 7.5mg orodispersible tablets sugar free   | 30                     |     | 2550  | C     | Fontus Health Ltd                      |            |



|   |     |     |       |        |                    |                  |
|---|-----|-----|-------|--------|--------------------|------------------|
| Meloxicam 7.5mg tablets   | 30  |     | 349   | M      |                    |                  |
| Melphalan 2mg tablets   | 25  |     | 3093  | A      |                    |                  |
| Memantine 10mg orodispersible tablets sugar free  | 28  |     | 2499  | C      | Valios             |                  |
| Memantine 10mg tablets  | 28  |     | 180   | M      |                    |                  |
| Memantine 10mg/ml oral solution sugar free  | ■   | 50  | ml    | 1277   | M                  |                  |
| Memantine 20mg orodispersible tablets sugar free  | 28  |     | 4998  | C      | Valios             |                  |
| Memantine 20mg tablets  | 28  |     | 308   | M      |                    |                  |
| Memantine 5mg/10mg/15mg/20mg orodispersible tablets initiation pack sugar free  | ■   | 28  |       | 3124   | C                  | Valios           |
| Memantine 5mg/10mg/15mg/20mg tablets treatment initiation pack  | ■   | 28  |       | 4313   | C                  | Ebixa            |
| Menadiol 10mg tablets   | 100 |     | 21471 | A      |                    |                  |
| Meningococcal oligosaccharide A, C, W135 and Y conjugate vaccine powder and solvent for solution for injection 0.5ml vials              | ■   | 1   |       | 3000   | C                  | Menveo           |
| Meningococcal polysaccharide A, C, W135 and Y conjugate vaccine powder and solvent for solution for injection 0.5ml pre-filled syringes | ■   | 1   |       | 3000   | C                  | Nimenrix         |
| Menotrophin 1,200unit powder and solvent for solution for injection vials   | ■   | 1   |       | 28829  | C                  | Menopur          |
| Menotrophin 150unit powder and solvent for solution for injection vials   | 10  |     | 36036 | C      | Menopur            |                  |
| Menotrophin 600unit powder and solvent for solution for injection vials   | ■   | 1   |       | 14414  | C                  | Menopur          |
| Menotrophin 75unit powder and solvent for solution for injection vials  | 10  |     | 18018 | C      | Menopur            |                  |
| Menthol 0.5% in Aqueous cream   | ■   | 500 | g     | 1607   | C                  | Dermacool        |
| Menthol 1% in Aqueous cream   | ■   | 100 | g     | 397    | C                  | Dermacool        |
|   |     | 500 | g     | 1659   | C                  | Dermacool        |
| Menthol 2% in Aqueous cream   | ■   | 500 | g     | 1697   | C                  | Dermacool        |
| Menthol crystals  | 5   |     | g     | 127    | A                  |                  |
| Meprobamate 400mg tablets   | 84  |     | 19763 | A      |                    |                  |
| Meptazinol 200mg tablets  | 112 |     | 2211  | C      | Meptid             |                  |
| Mepyramine 2% cream   | ■   | 25  | g     | 237    | C                  | Anthisan         |
| Mercaptamine 150mg capsules   | ■   | 100 |       | 19000  | C                  | Cystagon         |
| Mercaptamine 25mg gastro-resistant capsules   | ■   | 60  |       | 33597  | C                  | Procysbi         |
| Mercaptamine 3.8mg/ml eye drops   | ■   | 5   | ml    | 86500  | C                  | Cystadrops       |
| Mercaptamine 50mg capsules  | ■   | 100 |       | 7000   | C                  | Cystagon         |
| Mercaptamine 75mg gastro-resistant capsules   | ■   | 250 |       | 419965 | C                  | Procysbi         |
| Mercaptopurine 20mg/ml oral suspension  | 100 |     | ml    | 17000  | C                  | Xaluprine        |
| Mercaptopurine 50mg tablets   | 25  |     | 2076  | M      |                    |                  |
| Meropenem 1g powder for solution for injection vials  | 10  |     | 19600 | C      | Fresenius Kabi Ltd |                  |
| Meropenem 500mg powder for solution for injection vials   | 10  |     | 9800  | C      | Fresenius Kabi Ltd |                  |
| Mesalazine 1.2g gastro-resistant modified-release tablets   | 60  |     | 4295  | C      | Mezavant XL        |                  |
| Mesalazine 1.5g gastro-resistant modified-release granules sachets sugar free   | 60  |     | 4885  | C      | Salofalk           |                  |
| Mesalazine 1.6g gastro-resistant tablets  | ■   | 30  |       | 3008   | C                  | Octasa 1600mg MR |
| Mesalazine 1g gastro-resistant modified-release granules sachets sugar free   | 50  |     | 2874  | C      | Salofalk           |                  |
| Mesalazine 1g gastro-resistant tablets  | 90  |     | 5850  | C      | Salofalk           |                  |
| Mesalazine 1g modified-release granules sachets sugar free  | 50  |     | 3074  | C      | Pentasa            |                  |
| Mesalazine 1g modified-release tablets  | 60  |     | 3689  | C      | Pentasa            |                  |
| Mesalazine 1g suppositories   | 28  |     | 4001  | C      | Pentasa            |                  |
| Mesalazine 1g/100ml enema   | 7   |     | 1773  | C      | Pentasa Mesalazine |                  |
| Mesalazine 1g/application foam enema  | ■   | 14  | dose  | 3017   | C                  | Salofalk         |
| Mesalazine 250mg gastro-resistant tablets   | 100 |     | 1619  | C      | Salofalk           |                  |
| Mesalazine 2g modified-release granules sachets sugar free  | 60  |     | 7378  | C      | Pentasa            |                  |
| Mesalazine 2g/59ml enema  | 7   |     | 2992  | C      | Salofalk           |                  |
| Mesalazine 3g gastro-resistant modified-release granules sachets sugar free   | 60  |     | 9770  | C      | Salofalk           |                  |
| Mesalazine 400mg gastro-resistant tablets   | 84  |     | 2745  | C      | Asacol             |                  |
|   | 90  |     | 1658  | C      | Octasa             |                  |
| Mesalazine 4g modified-release granules sachets sugar free  | 30  |     | 7378  | C      | Pentasa            |                  |
| Mesalazine 500mg gastro-resistant modified-release granules sachets sugar free  | 100 |     | 2874  | C      | Salofalk           |                  |
| Mesalazine 500mg gastro-resistant tablets   | 100 |     | 3238  | C      | Salofalk           |                  |
| Mesalazine 500mg modified-release tablets   | 100 |     | 3074  | C      | Pentasa SR         |                  |
| Mesalazine 500mg suppositories  | 30  |     | 1481  | C      | Salofalk           |                  |
| Mesalazine 800mg gastro-resistant tablets   | 84  |     | 5490  | C      | Asacol             |                  |
|   | 180 |     | 8075  | C      | Octasa             |                  |

|   |     |      |      |            |                                   |
|---|-----|------|------|------------|-----------------------------------|
| Mestranol 50microgram / Norethisterone 1mg tablets                              | 63  | 219  | C    | Norinyl-1  |                                   |
| Metformin 1g / Sitagliptin 50mg tablets   | 56  | 3326 | C    | Janumet    |                                   |
| Metformin 1g modified-release tablets   | 56  | 556  | M    |            |                                   |
| Metformin 1g tablets  | 28  | 911  | C    | RX Farma   |                                   |
| Metformin 1g/5ml oral solution sugar free                                       | 150 | ml   | 2400 | A          |                                   |
| Metformin 500mg modified-release tablets  | 56  | 239  | M    |            |                                   |
| Metformin 500mg tablets   | 28  | 107  | M    |            |                                   |
| Metformin 500mg/5ml oral solution sugar free                                    | 150 | ml   | 653  | M          |                                   |
| Metformin 750mg modified-release tablets  | 56  | 640  | C    |            |                                   |
| Metformin 850mg tablets   | 56  | 261  | M    |            |                                   |
| Metformin 850mg/5ml oral solution sugar free                                    | 150 | ml   | 1995 | A          |                                   |
| Methadone 10mg/1ml solution for injection ampoules                              | 10  | 763  | C    | Physeptone |                                   |
| Methadone 10mg/ml oral solution sugar free                                      | 150 | ml   | 1201 | C          | Methadose                         |
| Methadone 1mg/ml oral solution  | 100 | ml   | 118  | M          |                                   |
|   | 500 | ml   | 590  | M          |                                   |
| Methadone 1mg/ml oral solution sugar free                                       | 100 | ml   | 118  | M          |                                   |
|   | 500 | ml   | 590  | M          |                                   |
| Methadone 20mg/ml oral solution sugar free                                      | 150 | ml   | 2402 | C          | Methadose                         |
| Methadone 50mg/1ml solution for injection ampoules                              | 10  | 1772 | C    | Physeptone |                                   |
| Methadone 5mg tablets   | 50  | 607  | △    | C          | Martindale<br>Pharmaceuticals Ltd |
| Methenamine hippurate 1g tablets  | 60  | 2362 | △    | A          |                                   |
| Methocarbamol 750mg tablets   | 100 | 892  | M    |            |                                   |
| Methotrexate 10mg tablets   | 100 | 5494 | △    | A          |                                   |
| Methotrexate 10mg/0.2ml solution for injection pre-filled disposable devices    | ■   | 1    | 1326 | C          | Metobject PEN                     |
| Methotrexate 10mg/0.2ml solution for injection pre-filled syringes              | ■   | 1    | 1125 | C          | Methofill                         |
| Methotrexate 10mg/0.4ml solution for injection pre-filled disposable devices    | ■   | 1    | 1377 | C          | Nordimet                          |
| Methotrexate 10mg/0.4ml solution for injection pre-filled syringes              | ■   | 1    | 1377 | C          | Zlatal                            |
| Methotrexate 12.5mg/0.25ml solution for injection pre-filled disposable devices | ■   | 1    | 1435 | C          | Metobject PEN                     |
| Methotrexate 12.5mg/0.25ml solution for injection pre-filled syringes           | ■   | 1    | 1234 | C          | Methofill                         |
| Methotrexate 12.5mg/0.5ml solution for injection pre-filled disposable devices  | ■   | 1    | 1485 | C          | Nordimet                          |
| Methotrexate 12.5mg/0.5ml solution for injection pre-filled syringes            | ■   | 1    | 1485 | C          | Zlatal                            |
| Methotrexate 15mg/0.3ml solution for injection pre-filled disposable devices    | ■   | 1    | 1441 | C          | Metobject PEN                     |
| Methotrexate 15mg/0.3ml solution for injection pre-filled syringes              | ■   | 1    | 1240 | C          | Methofill                         |
| Methotrexate 15mg/0.6ml solution for injection pre-filled disposable devices    | ■   | 1    | 1492 | C          | Nordimet                          |
| Methotrexate 15mg/0.6ml solution for injection pre-filled syringes              | ■   | 1    | 1492 | C          | Zlatal                            |
| Methotrexate 17.5mg/0.35ml solution for injection pre-filled disposable devices | ■   | 1    | 1525 | C          | Metobject PEN                     |
| Methotrexate 17.5mg/0.35ml solution for injection pre-filled syringes           | ■   | 1    | 1324 | C          | Methofill                         |
| Methotrexate 17.5mg/0.7ml solution for injection pre-filled disposable devices  | ■   | 1    | 1575 | C          | Nordimet                          |
| Methotrexate 17.5mg/0.7ml solution for injection pre-filled syringes            | ■   | 1    | 1575 | C          | Zlatal                            |
| Methotrexate 2.5mg tablets  | 28  | 209  | M    |            |                                   |
| Methotrexate 20mg/0.4ml solution for injection pre-filled disposable devices    | ■   | 1    | 1556 | C          | Metobject PEN                     |
| Methotrexate 20mg/0.4ml solution for injection pre-filled syringes              | ■   | 1    | 1355 | C          | Methofill                         |
| Methotrexate 20mg/0.8ml solution for injection pre-filled disposable devices    | ■   | 1    | 1606 | C          | Nordimet                          |
| Methotrexate 20mg/0.8ml solution for injection pre-filled syringes              | ■   | 1    | 1606 | C          | Zlatal                            |
| Methotrexate 22.5mg/0.45ml solution for injection pre-filled disposable devices | ■   | 1    | 1611 | C          | Metobject PEN                     |
| Methotrexate 22.5mg/0.45ml solution for injection pre-filled syringes           | ■   | 1    | 1410 | C          | Methofill                         |
| Methotrexate 22.5mg/0.9ml solution for injection pre-filled disposable devices  | ■   | 1    | 1661 | C          | Nordimet                          |
| Methotrexate 22.5mg/0.9ml solution for injection pre-filled syringes            | ■   | 1    | 1661 | C          | Zlatal                            |
| Methotrexate 25mg/0.5ml solution for injection pre-filled disposable devices    | ■   | 1    | 1613 | C          | Metobject PEN                     |

|   |   |    |    |       |   |                              |
|---|---|----|----|-------|---|------------------------------|
| Methotrexate 25mg/0.5ml solution for injection pre-filled syringes                                      | ■ | 1  |    | 1424  | C | Methofill                    |
| Methotrexate 25mg/1ml solution for injection pre-filled disposable devices                              | ■ | 1  |    | 1664  | C | Nordimet                     |
| Methotrexate 25mg/1ml solution for injection pre-filled syringes  | ■ | 1  |    | 1664  | C | Zlatal                       |
| Methotrexate 27.5mg/0.55ml solution for injection pre-filled disposable devices                         | ■ | 1  |    | 1650  | C | Metoject PEN                 |
| Methotrexate 2mg/ml oral solution sugar free  | ■ | 35 | ml | 9500  | C | Rosemont Pharmaceuticals Ltd |
|   | ■ | 65 | ml | 12500 | C | Rosemont Pharmaceuticals Ltd |
| Methotrexate 30mg/0.6ml solution for injection pre-filled disposable devices                            | ■ | 1  |    | 1656  | C | Metoject PEN                 |
| Methotrexate 30mg/0.6ml solution for injection pre-filled syringes                                      | ■ | 1  |    | 1455  | C | Methofill                    |
| Methotrexate 7.5mg/0.15ml solution for injection pre-filled disposable devices                          | ■ | 1  |    | 1287  | C | Metoject PEN                 |
| Methotrexate 7.5mg/0.15ml solution for injection pre-filled syringes                                    | ■ | 1  |    | 1086  | C | Methofill                    |
| Methotrexate 7.5mg/0.3ml solution for injection pre-filled disposable devices                           | ■ | 1  |    | 1337  | C | Nordimet                     |
| Methotrexate 7.5mg/0.3ml solution for injection pre-filled syringes                                     | ■ | 1  |    | 1337  | C | Zlatal                       |
| Methoxy polyethylene glycol-epoetin beta 100micrograms/0.3ml solution for injection pre-filled syringes | ■ | 1  |    | 14681 | C | Mircera                      |
| Methoxy polyethylene glycol-epoetin beta 120micrograms/0.3ml solution for injection pre-filled syringes | ■ | 1  |    | 17618 | C | Mircera                      |
| Methoxy polyethylene glycol-epoetin beta 150micrograms/0.3ml solution for injection pre-filled syringes | ■ | 1  |    | 22022 | C | Mircera                      |
| Methoxy polyethylene glycol-epoetin beta 200micrograms/0.3ml solution for injection pre-filled syringes | ■ | 1  |    | 29362 | C | Mircera                      |
| Methoxy polyethylene glycol-epoetin beta 250micrograms/0.3ml solution for injection pre-filled syringes | ■ | 1  |    | 36703 | C | Mircera                      |
| Methoxy polyethylene glycol-epoetin beta 30micrograms/0.3ml solution for injection pre-filled syringes  | ■ | 1  |    | 4405  | C | Mircera                      |
| Methoxy polyethylene glycol-epoetin beta 360micrograms/0.6ml solution for injection pre-filled syringes | ■ | 1  |    | 52856 | C | Mircera                      |
| Methoxy polyethylene glycol-epoetin beta 50micrograms/0.3ml solution for injection pre-filled syringes  | ■ | 1  |    | 7341  | C | Mircera                      |
| Methoxy polyethylene glycol-epoetin beta 75micrograms/0.3ml solution for injection pre-filled syringes  | ■ | 1  |    | 11011 | C | Mircera                      |
| Methyl salicylate 105mg / Levomenthol 31.5mg medicated plasters   |   | 3  |    | 299   | C | Salonpas Pain Relief Patch   |
|   |   | 5  |    | 419   | C | Salonpas Pain Relief Patch   |
| Methyl salicylate 30% / Menthol 8% cream  | ■ | 35 | g  | 287   | C | Deep Heat Maximum Strength   |
| Methyldopa 125mg tablets  |   | 56 |    | 10046 | ▽ | A                            |
| Methyldopa 250mg tablets  |   | 56 |    | 2443  |   | A                            |
| Methyldopa 500mg tablets  |   | 56 |    | 1790  |   | A                            |
| Methylnaltrexone bromide 12mg/0.6ml solution for injection vials  |   | 7  |    | 14735 | C | Relistor                     |
| Methylphenidate 10mg modified-release capsules  |   | 30 |    | 2500  | C | Equasym XL                   |
| Methylphenidate 10mg tablets  |   | 30 |    | 361   | M |                              |
| Methylphenidate 18mg modified-release tablets   |   | 30 |    | 3119  | C | Concerta XL                  |
| Methylphenidate 20mg modified-release capsules  |   | 30 |    | 3000  | C | Equasym XL                   |
| Methylphenidate 20mg tablets  |   | 30 |    | 1092  | C |                              |
| Methylphenidate 27mg modified-release tablets   |   | 30 |    | 3681  | C | Concerta XL                  |
| Methylphenidate 30mg modified-release capsules  |   | 30 |    | 3500  | C | Equasym XL                   |
| Methylphenidate 36mg modified-release tablets   |   | 30 |    | 4245  | C | Concerta XL                  |
| Methylphenidate 40mg modified-release capsules  |   | 30 |    | 5772  | C | Medikinet XL                 |
| Methylphenidate 50mg modified-release capsules  |   | 30 |    | 6252  | C | Medikinet XL                 |
| Methylphenidate 54mg modified-release tablets   |   | 30 |    | 3680  | C |                              |
| Methylphenidate 5mg modified-release capsules   |   | 30 |    | 2404  | C | Medikinet XL                 |
| Methylphenidate 5mg tablets   |   | 30 |    | 303   | C |                              |

|   |     |    |        |   |                                |
|---|-----|----|--------|---|--------------------------------|
| Methylphenidate 60mg modified-release capsules  | 30  |    | 6732   | C | Medikinet X                    |
| Methylprednisolone 100mg tablets  | 20  |    | 4832   | C | Medrone                        |
| Methylprednisolone 16mg tablets   | 30  |    | 1717   | C | Medrone                        |
| Methylprednisolone 2mg tablets  | 30  |    | 388    | C | Medrone                        |
| Methylprednisolone 40mg/1ml / Lidocaine 10mg/1ml (1%) suspension for injection vials          | 1   | ■  | 394    | C | Depo-Medrone with Lidocaine    |
| Methylprednisolone 4mg tablets  | 30  |    | 619    | C | Medrone                        |
| Methylprednisolone 80mg/2ml / Lidocaine 20mg/2ml (1%) suspension for injection vials          | 1   | ■  | 706    | C | Depo-Medrone with Lidocaine    |
| Methylprednisolone acetate 120mg/3ml suspension for injection vials                           | 1   | ■  | 896    | C | Depo-Medrone                   |
| Methylprednisolone acetate 40mg/1ml suspension for injection vials                            | 1   | ■  | 344    | C | Depo-Medrone                   |
| Methylprednisolone acetate 80mg/2ml suspension for injection vials                            | 1   | ■  | 618    | C | Depo-Medrone                   |
| Methylprednisolone sodium succinate 125mg powder and solvent for solution for injection vials | 1   | ■  | 475    | C | Solu-Medrone                   |
| Methylprednisolone sodium succinate 1g powder and solvent for solution for injection vials    | 1   | ■  | 1730   | C | Solu-Medrone                   |
| Methylprednisolone sodium succinate 40mg powder and solvent for solution for injection vials  | 1   | ■  | 158    | C | Solu-Medrone                   |
| Methylprednisolone sodium succinate 500mg powder and solvent for solution for injection vials | 1   | ■  | 960    | C | Solu-Medrone                   |
| Metoclopramide 10mg tablets   | 28  |    | 161    | M |                                |
| Metoclopramide 10mg/2ml solution for injection ampoules                                       | 10  |    | 279    | △ | A                              |
| Metoclopramide 5mg/5ml oral solution sugar free   | 150 | ml | 1979   | A |                                |
| Metoprolol 100mg tablets  | 28  |    | 203    | M |                                |
| Metoprolol 50mg tablets   | 28  |    | 196    | M |                                |
| Metronidazole 0.75% cream   | 30  | g  | 660    | C |                                |
|   | 40  | g  | 988    | C | Rozex                          |
| Metronidazole 0.75% gel   | 15  | g  | 564    | C | Anabact                        |
|   | 40  | g  | 2263   | C | Metrogel                       |
| Metronidazole 0.75% vaginal gel   | 40  | g  | 431    | C | Zidoval                        |
| Metronidazole 1g suppositories  | 10  |    | 2306   | C | Flagyl                         |
| Metronidazole 200mg tablets   | 21  |    | 403    | A |                                |
| Metronidazole 200mg/5ml oral suspension   | 100 | ml | 4115   | △ | A                              |
| Metronidazole 400mg tablets   | 21  |    | 228    | M |                                |
| Metronidazole 500mg suppositories   | 10  |    | 1518   | C | Flagyl                         |
| Metronidazole 500mg tablets   | 21  |    | 3929   | A |                                |
| Metronidazole 500mg/100ml infusion 100ml bags   | 20  |    | 1548   | ▽ | C A A H<br>Pharmaceuticals Ltd |
| Metyrapone 250mg capsules   | 100 |    | 36366  | C | Metopirone                     |
| Mexiletine hydrochloride 200mg (Mexiletine 167mg) capsules                                    | 100 |    | 500000 | C | Namuscla                       |
| Mianserin 10mg tablets  | 28  |    | 1622   | △ | A                              |
| Mianserin 30mg tablets  | 28  |    | 3961   | △ | A                              |
| Miconazole 0.16% dry powder spray   | 100 | g  | 363    | C | Daktarin Aktiv                 |
| Miconazole 2% cream   | 30  | g  | 182    | C | Daktarin                       |
| Miconazole 2% powder  | 20  | g  | 313    | C | Daktarin                       |
| Miconazole 2% vaginal cream   | 78  | g  | 433    | C | Gyno-Daktarin                  |
| Miconazole 20mg/g oromucosal gel sugar free   | 15  | g  | 401    | C | Daktarin                       |
|   | 80  | g  | 438    | C | Daktarin                       |
| Midazolam 10mg/1ml oromucosal solution pre-filled oral syringes sugar free                    | 1   | ■  | 4576   | C | Epistatus                      |
| Midazolam 10mg/2ml oromucosal solution pre-filled oral syringes sugar free                    | 4   |    | 9150   | C | Buccolam                       |
| Midazolam 10mg/2ml solution for injection ampoules  | 10  |    | 663    | M |                                |
| Midazolam 10mg/5ml solution for injection ampoules  | 10  |    | 726    | A |                                |
| Midazolam 2.5mg/0.5ml oromucosal solution pre-filled oral syringes sugar free                 | 4   |    | 8200   | C | Buccolam                       |
| Midazolam 2mg/2ml solution for injection ampoules   | 10  |    | 600    | A |                                |
| Midazolam 50mg/10ml solution for injection ampoules   | 10  |    | 2925   | A |                                |
| Midazolam 5mg/1ml oromucosal solution pre-filled oral syringes sugar free                     | 4   |    | 8550   | C | Buccolam                       |
| Midazolam 5mg/5ml solution for injection ampoules   | 10  |    | 1358   | △ | A                              |
| Midazolam 7.5mg/1.5ml oromucosal solution pre-filled oral syringes sugar free                 | 4   |    | 8900   | C | Buccolam                       |
| Midodrine 2.5mg tablets   | 100 |    | 4879   | M |                                |
| Midodrine 5mg tablets   | 100 |    | 6695   | M |                                |
| Minocycline 100mg capsules  | 28  |    | 1309   | C | Aknemin                        |
| Minocycline 100mg modified-release capsules   | 56  |    | 2008   | C | Minocin MR                     |
| Minocycline 100mg tablets   | 28  |    | 1440   | A |                                |
| Minocycline 50mg tablets  | 28  |    | 619    | A |                                |

|   |             |      |       |   |                                |
|---|-------------|------|-------|---|--------------------------------|
| Minoxidil 10mg tablets                                      | 60          |      | 3068  | C | Loniten                        |
| Minoxidil 2.5mg tablets                                     | 60          |      | 888   | C | Loniten                        |
| Minoxidil 5% foam   | 60          | g    | 2333  | C | Regaine for Men Extra Strength |
|   | 120 (2x 60) | g    | 3334  | C | Regaine for Women Once a Day   |
|   | 180 (3x 60) | g    | 5001  | C | Regaine for Men Extra Strength |
| Minoxidil 5mg tablets                                       | 60          |      | 1583  | C | Loniten                        |
| Mirabegron 25mg modified-release tablets                    | 30          |      | 2900  | C | Betmiga                        |
| Mirabegron 50mg modified-release tablets                    | 30          |      | 2900  | C | Betmiga                        |
| Mirtazapine 15mg orodispersible tablets                     | 30          |      | 217   | M |                                |
| Mirtazapine 15mg tablets                                    | 28          |      | 173   | M |                                |
| Mirtazapine 15mg/ml oral solution sugar free                | 66          | ml   | 8055  | A |                                |
| Mirtazapine 30mg orodispersible tablets                     | 30          |      | 258   | M |                                |
| Mirtazapine 30mg tablets                                    | 28          |      | 174   | M |                                |
| Mirtazapine 45mg orodispersible tablets                     | 30          |      | 287   | M |                                |
| Mirtazapine 45mg tablets                                    | 28          |      | 211   | M |                                |
| Misoprostol 200microgram tablets                            | 60          |      | 1003  | C | Cytotec                        |
| Misoprostol 400microgram tablets                            | 1           |      | 800   | C | Topogyne                       |
| Mitotane 500mg tablets                                      | 100         |      | 59097 | C | Lysodren                       |
| Mizolastine 10mg modified-release tablets                   | 30          |      | 692   | C | Mizollen                       |
| Moclobemide 150mg tablets                                   | 30          |      | 2210  | C | Sandoz Ltd                     |
| Moclobemide 300mg tablets                                   | 30          |      | 1399  | C | Manerix                        |
| Modafinil 100mg tablets                                     | 30          |      | 289   | M |                                |
| Modafinil 200mg tablets                                     | 30          |      | 611   | M |                                |
| Mometasone 0.1% cream                                       | 30          | g    | 273   | M |                                |
|   | 100         | g    | 910   | M |                                |
| Mometasone 0.1% ointment                                    | 30          | g    | 271   | M |                                |
|   | 100         | g    | 903   | M |                                |
| Mometasone 0.1% scalp lotion                                | 30          | ml   | 436   | C | Elocon                         |
| Mometasone 200micrograms/dose dry powder inhaler            | 30          | dose | 1570  | C | Asmanex Twisthaler             |
|   | 60          | dose | 2354  | C | Asmanex Twisthaler             |
| Mometasone 400micrograms/dose dry powder inhaler            | 30          | dose | 2178  | C | Asmanex Twisthaler             |
|   | 60          | dose | 3605  | C | Asmanex Twisthaler             |
| Mometasone 50micrograms/dose nasal spray                    | 140         | dose | 441   | M |                                |
| Montelukast 10mg tablets                                    | 28          |      | 183   | M |                                |
| Montelukast 4mg chewable tablets sugar free                 | 28          |      | 154   | M |                                |
| Montelukast 4mg granules sachets sugar free                 | 28          |      | 460   | M |                                |
| Montelukast 5mg chewable tablets sugar free                 | 28          |      | 153   | M |                                |
| Morphine 100mg modified-release capsules                    | 60          |      | 2180  | C | Zomorph                        |
| Morphine 100mg modified-release granules sachets sugar free | 30          |      | 8515  | C | MST Continus                   |
| Morphine 100mg modified-release tablets                     | 60          |      | 3850  | C | MST Continus                   |
| Morphine 10mg modified-release capsules                     | 60          |      | 347   | C | Zomorph                        |
| Morphine 10mg modified-release tablets                      | 60          |      | 520   | C | MST Continus                   |
| Morphine 10mg tablets                                       | 56          |      | 531   | C | Sevredol                       |
| Morphine 120mg modified-release capsules                    | 28          |      | 2915  | C | MXL                            |
| Morphine 150mg modified-release capsules                    | 28          |      | 3643  | C | MXL                            |
| Morphine 15mg modified-release tablets                      | 60          |      | 910   | C | MST Continus                   |
| Morphine 200mg modified-release capsules                    | 60          |      | 4360  | C | Zomorph                        |
| Morphine 200mg modified-release granules sachets sugar free | 30          |      | 17030 | C | MST Continus                   |
| Morphine 200mg modified-release tablets                     | 60          |      | 8134  | C | MST Continus                   |
| Morphine 20mg modified-release granules sachets sugar free  | 30          |      | 2458  | C | MST Continus                   |
| Morphine 20mg tablets                                       | 56          |      | 1061  | C | Sevredol                       |
| Morphine 30mg modified-release capsules                     | 60          |      | 830   | C | Zomorph                        |
| Morphine 30mg modified-release granules sachets sugar free  | 30          |      | 2554  | C | MST Continus                   |
| Morphine 30mg modified-release tablets                      | 60          |      | 1247  | C | MST Continus                   |
| Morphine 50mg tablets                                       | 56          |      | 2802  | C | Sevredol                       |
| Morphine 5mg modified-release tablets                       | 60          |      | 329   | C | MST Continus                   |
| Morphine 60mg modified-release capsules                     | 60          |      | 1620  | C | Zomorph                        |
| Morphine 60mg modified-release granules sachets sugar free  | 30          |      | 5109  | C | MST Continus                   |
| Morphine 60mg modified-release tablets                      | 60          |      | 2432  | C | MST Continus                   |
| Morphine 90mg modified-release capsules                     | 28          |      | 2204  | C | MXL                            |
| Morphine sulfate 10mg/10ml solution for injection ampoules  | 10          |      | 1500  | C | hameln pharma Ltd              |

|  |       |      |       |   |   |                                |
|--|-------|------|-------|---|---|--------------------------------|
| Morphine sulfate 10mg/1ml solution for injection ampoules                                | 10    |      | 1145  |   | A |                                |
| Morphine sulfate 10mg/5ml oral solution  | 300   | ml   | 584   |   | M |                                |
| Morphine sulfate 15mg/1ml solution for injection ampoules                                | 10    |      | 1074  |   | C | Martindale Pharmaceuticals Ltd |
| Morphine sulfate 20mg/1ml solution for injection ampoules                                | 10    |      | 7964  |   | A |                                |
| Morphine sulfate 20mg/ml oral solution sugar free  | 120   | ml   | 1950  |   | C | Oramorph                       |
| Morphine sulfate 30mg/1ml solution for injection ampoules                                | 10    |      | 1149  |   | A |                                |
| Morphine sulfate 50mg/50ml solution for infusion vials                                   | ■ 1   |      | 578   |   | A |                                |
| Morphine sulfate 5mg/5ml solution for injection ampoules                                 | 10    |      | 4830  |   | C | Torbay Pharmaceuticals         |
| Morphine sulfate 60mg/2ml solution for injection ampoules                                | 5     |      | 1007  |   | C | Wockhardt UK Ltd               |
| Morphine tartrate 10mg/1ml / Cyclizine tartrate 50mg/1ml solution for injection ampoules | 5     |      | 877   |   | C | Cyclimorph 10                  |
| Morphine tartrate 15mg/1ml / Cyclizine tartrate 50mg/1ml solution for injection ampoules | 5     |      | 912   |   | C | Cyclimorph 15                  |
| Mouthwash solution tablets   | ■ 100 |      | 1554  |   | C | Accord Healthcare Ltd          |
| Moxifloxacin 0.5% eye drops  | ■ 5   | ml   | 980   |   | C | Moxivig                        |
| Moxifloxacin 400mg tablets   | 5     |      | 978   | ▽ | A |                                |
| Moxisylyte 40mg tablets  | 112   |      | 9022  |   | C | Opilon                         |
| Moxonidine 200microgram tablets  | 28    |      | 1135  |   | M |                                |
| Moxonidine 300microgram tablets  | 28    |      | 800   |   | M |                                |
| Moxonidine 400microgram tablets  | 28    |      | 804   |   | M |                                |
| Mupirocin 2% cream   | ■ 15  | g    | 526   |   | C | Bactroban                      |
| Mupirocin 2% nasal ointment  | ■ 3   | g    | 424   |   | C | Bactroban Nasal                |
| Mupirocin 2% ointment  | ■ 15  | g    | 526   |   | C | Bactroban                      |
| Mycophenolate mofetil 1g/5ml oral suspension sugar free                                  | ■ 175 | ml   | 11516 |   | C | CellCept                       |
| Mycophenolate mofetil 250mg capsules   | 100   |      | 1913  | ▽ | A |                                |
| Mycophenolate mofetil 500mg tablets  | 50    |      | 722   |   | M |                                |
| Mycophenolic acid 180mg gastro-resistant tablets   | 120   |      | 9672  |   | C | Myfortic                       |
| Mycophenolic acid 360mg gastro-resistant tablets   | 120   |      | 19343 |   | C |                                |
|  |       |      |       |   |   |                                |
| Nabilone 1mg capsules  | 20    |      | 19600 |   | C | Brown & Burk UK Ltd            |
| Nabilone 250microgram capsules   | 20    |      | 15000 |   | C | Brown & Burk UK Ltd            |
| Nabumetone 500mg tablets   | 56    |      | 825   | △ | A |                                |
| Nadolol 80mg tablets   | 28    |      | 600   |   | C | Corgard                        |
| Nafarelin 200micrograms/dose nasal spray   | ■ 60  | dose | 5243  |   | C | Synarel                        |
| Naftidrofuryl 100mg capsules   | 84    |      | 664   |   | M |                                |
| Nalmefene 18mg tablets   | 14    |      | 4242  |   | C | Selincro                       |
| Naloxegol 12.5mg tablets   | 30    |      | 5520  |   | C | Moventig                       |
| Naloxegol 25mg tablets   | 30    |      | 5520  |   | C | Moventig                       |
| Naloxone 2mg/2ml solution for injection pre-filled syringes                              | ■ 1   |      | 1800  |   | C | Prenoxad                       |
| Naloxone 400micrograms/1ml solution for injection ampoules                               | 10    |      | 4069  | △ | A |                                |
| Naltrexone 50mg tablets  | 28    |      | 7183  | ▽ | A |                                |
| Naltrexone 8mg / Bupropion 90mg modified-release tablets                                 | 112   |      | 7300  |   | C | Mysimba                        |
| Nandrolone 50mg/1ml solution for injection ampoules                                      | ■ 1   |      | 317   |   | C | Deca-Durabolin                 |
| Naphazoline 0.012% eye drops   | ■ 10  | ml   | 213   |   | C | Murine irritation & redness    |
| Naproxen 125mg/5ml oral suspension sugar free  | 100   | ml   | 11002 | ▽ | A |                                |
| Naproxen 250mg effervescent tablets sugar free   | 20    |      | 5272  |   | C | Stirlescent                    |
|  | (2x   |      |       |   |   |                                |
|  | ■ 10) |      |       |   |   |                                |
| Naproxen 250mg gastro-resistant tablets  | 56    |      | 442   |   | M |                                |
| Naproxen 250mg tablets   | 28    |      | 145   |   | M |                                |
| Naproxen 250mg/5ml oral suspension   | 100   | ml   | 4501  |   | A |                                |
| Naproxen 375mg gastro-resistant tablets  | 56    |      | 2777  |   | A |                                |
| Naproxen 500mg / Esomeprazole 20mg modified-release tablets                              | 60    |      | 1495  |   | C | Vimovo                         |
| Naproxen 500mg gastro-resistant tablets  | 56    |      | 945   |   | M |                                |
| Naproxen 500mg tablets   | 28    |      | 176   |   | M |                                |
| Naratriptan 2.5mg tablets  | 6     |      | 230   |   | M |                                |
|  | 12    |      | 460   |   | M |                                |
| Nebivolol 10mg tablets   | 28    |      | 2739  |   | A |                                |

|  |        |      |        |   |                     |
|--|--------|------|--------|---|---------------------|
| Nebivolol 2.5mg tablets                                | 28     |      | 393    | M |                     |
| Nebivolol 5mg tablets                                  | 28     |      | 169    | M |                     |
| Nefopam 30mg tablets                                   | 90     |      | 811    | M |                     |
| Neomycin 0.5% / Chlorhexidine hydrochloride 0.1% cream | ■ 15   | g    | 199    | C | Naseptin            |
| Neomycin 500mg tablets                                 | 100    |      | 3469   | C | Advanz Pharma       |
| Neostigmine 2.5mg/1ml solution for injection ampoules  | 10     |      | 751    | A |                     |
| Nepafenac 1mg/ml eye drops                             | ■ 5    | ml   | 1492   | C | Nevanac             |
| Nepafenac 3mg/ml eye drops                             | ■ 3    | ml   | 1492   | C | Nevanac             |
| Nevirapine 400mg modified-release tablets              | 30     |      | 7947   | A |                     |
| Nicardipine 20mg capsules                              | 56     |      | 600    | C | Cardene             |
| Nicardipine 30mg capsules                              | 56     |      | 696    | C | Cardene             |
| Nicorandil 10mg tablets                                | 60     |      | 454    | M |                     |
|  | (6x    |      |        |   |                     |
|  | ■ 10)  |      |        |   |                     |
| Nicorandil 20mg tablets                                | 60     |      | 564    | M |                     |
|  | (6x    |      |        |   |                     |
|  | ■ 10)  |      |        |   |                     |
| Nicotinamide 4% gel                                    | ■ 10   | g    | 310    | C | Freederm            |
|  | ■ 25   | g    | 556    | C | Freederm Treatment  |
|  | ■ 60   | g    | 710    | C | Nicam               |
| Nicotine 1.5mg lozenges sugar free                     | 60     |      | 1085   | C | NiQuitin Minis      |
| Nicotine 10mg/16hours transdermal patches              | 7      |      | 1143   | C | Nicorette invis     |
| Nicotine 14mg/24hours transdermal patches              | 7      |      | 940    | C | Nicotinell TTS 20   |
| Nicotine 15mg inhalation cartridges with device        | ■ 4    |      | 521    | C | Nicorette           |
|  | ■ 20   |      | 1902   | C | Nicorette           |
|  | ■ 36   |      | 3026   | C | Nicorette           |
| Nicotine 15mg/16hours transdermal patches              | 7      |      | 1143   | C | Nicorette invis     |
| Nicotine 1mg/dose oromucosal spray sugar free          | ■ 13.2 | ml   | 1366   | C | Nicorette QuickMist |
| Nicotine 21mg/24hours transdermal patches              | 7      |      | 997    | C |                     |
| Nicotine 25mg/16hours transdermal patches              | 7      |      | 1143   | C | Nicorette Invisi    |
| Nicotine 2mg lozenges sugar free                       | ■ 20   |      | 334    | C | Nicorette Cools     |
|  | 72     |      | 740    | C | NiQuitin Mint       |
|  | 80     |      | 1205   | C |                     |
|  | (4x    |      |        |   |                     |
|  | ■ 20)  |      |        |   |                     |
| Nicotine 2mg medicated chewing gum sugar free          | 96     |      | 826    | C | Nicotinell          |
| Nicotine 2mg sublingual tablets sugar free             | 100    |      | 1595   | C | Nicorette Microtabs |
| Nicotine 450micrograms/dose inhaler                    | ■ 20   | dose | 800    | C | Voqe                |
| Nicotine 4mg lozenges sugar free                       | 60     |      | 1085   | C | NiQuitin Minis Mint |
|  | (3x    |      |        |   |                     |
|  | ■ 20)  |      |        |   |                     |
|  | 72     |      | 740    | C | NiQuitin Mint       |
|  | 80     |      | 1217   | C | Nicorette Cools     |
|  | (4x    |      |        |   |                     |
|  | ■ 20)  |      |        |   |                     |
| Nicotine 4mg medicated chewing gum sugar free          | 96     |      | 1026   | C | Nicotinell          |
| Nicotine 500micrograms/dose nasal spray                | ■ 10   | ml   | 1696   | C | Nicorette           |
| Nicotine 7mg/24hours transdermal patches               | 7      |      | 912    | C | Nicotinell TTS 10   |
| Nicotine bitartrate 1mg lozenges sugar free            | 96     |      | 912    | C | Nicotinell          |
| Nicotine bitartrate 2mg lozenges sugar free            | 96     |      | 1060   | C | Nicotinell          |
|  | 144    |      | 1350   | C | Nicotinell          |
|  | 204    |      | 1494   | C | Nicotinell          |
| Nifedipine 10mg capsules                               | 90     |      | 6563   | C | Relonchem Ltd       |
| Nifedipine 10mg modified-release capsules              | 60     |      | 390    | C | Coracten SR         |
| Nifedipine 10mg modified-release tablets               | 56     |      | 923    | C | Nifedipress MR 10   |
| Nifedipine 20mg modified-release capsules              | 60     |      | 541    | C | Coracten SR         |
| Nifedipine 20mg modified-release tablets               | 56     |      | 1006   | C |                     |
| Nifedipine 30mg modified-release capsules              | 28     |      | 489    | C | Coracten XL         |
| Nifedipine 30mg modified-release tablets               | 28     |      | 470    | C |                     |
| Nifedipine 40mg modified-release tablets               | 30     |      | 1440   | C | Fortipine LA 40     |
| Nifedipine 5mg capsules                                | 90     |      | 5195   | C | Relonchem Ltd       |
| Nifedipine 60mg modified-release capsules              | 28     |      | 734    | C | Coracten XL         |
| Nifedipine 60mg modified-release tablets               | 28     |      | 710    | C |                     |
| Nilotinib 150mg capsules                               | 112    |      | 243285 | C | Tasigna             |
| Nilotinib 200mg capsules                               | 112    |      | 243285 | C | Tasigna             |
| Nilotinib 50mg capsules                                | 120    |      | 243285 | C | Tasigna             |
| Nimodipine 30mg tablets                                | 100    |      | 4000   | C | Nimotop             |
| Nitisinone 20mg capsules                               | 60     |      | 338400 | C | Orfadin             |
| Nitisinone 2mg capsules                                | 60     |      | 42300  | C | Orfadin             |
| Nitisinone 4mg/ml oral suspension sugar free           | ■ 90   | ml   | 169200 | C | Orfadin             |
| Nitrazepam 2.5mg/5ml oral suspension                   | 70     | ml   | 11400  | A |                     |

|  |     |    |       |      |   |                      |
|--|-----|----|-------|------|---|----------------------|
| Nitrazepam 5mg tablets   | 28  |    | 265   |      | M |                      |
| Nitrofurantoin 100mg capsules  | 30  |    | 1043  |      | A |                      |
| Nitrofurantoin 100mg modified-release capsules                                       | 14  |    | 950   |      | C | Macrobid             |
| Nitrofurantoin 100mg tablets   | 28  |    | 518   |      | M |                      |
| Nitrofurantoin 25mg/5ml oral suspension sugar free                                   | 300 | ml | 44952 | ▽    | A |                      |
| Nitrofurantoin 50mg capsules   | 30  |    | 732   |      | M |                      |
| Nitrofurantoin 50mg tablets  | 28  |    | 552   |      | M |                      |
| Nizatidine 150mg capsules  | 30  |    | 2171  | △    | A |                      |
| Nizatidine 300mg capsules  | 30  |    | 2488  | ▽    | A |                      |
| Nonoxinol-9 2% gel   | ■   | 81 | g     | 1100 |   | C Gygel              |
| Norethisterone 200mg/1ml solution for injection ampoules                             | ■   | 1  |       | 405  |   | C Noristerat         |
| Norethisterone 350microgram tablets  | 84  |    | 210   |      | C | Noriday              |
| Norethisterone 5mg tablets   | 30  |    | 253   |      | M |                      |
| Nortriptyline 10mg capsules  | 100 |    | 825   |      | C | Kent Pharma (UK) Ltd |
| Nortriptyline 10mg tablets   | 100 |    | 199   |      | M |                      |
| Nortriptyline 10mg/5ml oral solution sugar free                                      | 250 | ml | 24600 |      | C | Colonis Pharma Ltd   |
| Nortriptyline 25mg capsules  | 100 |    | 1000  |      | C | Kent Pharma (UK) Ltd |
| Nortriptyline 25mg tablets   | 100 |    | 211   |      | M |                      |
| Nortriptyline 25mg/5ml oral solution sugar free                                      | 250 | ml | 32400 |      | C | Colonis Pharma Ltd   |
| Nortriptyline 50mg tablets   | 30  |    | 5644  | △    | A |                      |
| Nystatin 100,000units/g / Chlorhexidine acetate 1% / Hydrocortisone 1% ointment      | ■   | 30 | g     | 1149 |   | A                    |
| Nystatin 100,000units/g / Chlorhexidine hydrochloride 1% / Hydrocortisone 0.5% cream | ■   | 30 | g     | 1149 |   | A                    |
| Nystatin 100,000units/g / Chlorhexidine hydrochloride 1% cream                       | ■   | 30 | g     | 1129 |   | A                    |
| Nystatin 100,000units/ml oral suspension   | ■   | 30 | ml    | 180  |   | C Nystan             |
| Ocreotide 100micrograms/1ml solution for injection ampoules                          | 5   |    | 2797  |      | C | Sandostatin          |
| Ocreotide 100micrograms/1ml solution for injection pre-filled syringes               | 5   |    | 3033  |      | A |                      |
| Ocreotide 100micrograms/1ml solution for injection vials                             | 5   |    | 3265  |      | C | Pfizer Ltd           |
| Ocreotide 10mg powder and solvent for suspension for injection vials                 | ■   | 1  | 54971 |      | C | Sandostatin LAR      |
| Ocreotide 1mg/5ml solution for injection vials                                       | ■   | 1  | 6500  |      | C | Pfizer Ltd           |
| Ocreotide 20mg powder and solvent for suspension for injection vials                 | ■   | 1  | 79933 |      | C | Sandostatin LAR      |
| Ocreotide 30mg powder and solvent for suspension for injection vials                 | ■   | 1  | 99841 |      | C | Sandostatin LAR      |
| Ocreotide 500micrograms/1ml solution for injection ampoules                          | 5   |    | 13547 |      | C | Sandostatin          |
| Ocreotide 500micrograms/1ml solution for injection pre-filled syringes               | 5   |    | 15422 |      | A |                      |
| Ocreotide 500micrograms/1ml solution for injection vials                             | 5   |    | 15825 |      | C | Pfizer Ltd           |
| Ocreotide 50micrograms/1ml solution for injection ampoules                           | 5   |    | 1487  |      | C | Sandostatin          |
| Ocreotide 50micrograms/1ml solution for injection pre-filled syringes                | 5   |    | 1954  | △    | A |                      |
| Ofloxacin 0.3% eye drops   | ■   | 5  | ml    | 217  |   | C Exocin             |
| Ofloxacin 200mg tablets  | 10  |    | 895   | △    | A |                      |
| Ofloxacin 400mg tablets  | 5   |    | 1286  | ▽    | A |                      |
| Oily phenol 5% solution for injection 5ml ampoules                                   | 10  |    | 9380  | △    | A |                      |
| Olanzapine 10mg oral lyophilisates sugar free  | 28  |    | 8740  |      | C | Zyprexa Velotab      |
| Olanzapine 10mg orodispersible tablets   | 28  |    | 4991  | △    | A |                      |
| Olanzapine 10mg orodispersible tablets sugar free                                    | 28  |    | 1986  | ▽    | A |                      |
| Olanzapine 10mg tablets  | 28  |    | 235   |      | M |                      |
| Olanzapine 15mg oral lyophilisates sugar free  | 28  |    | 13110 |      | C | Zyprexa Velotab      |
| Olanzapine 15mg orodispersible tablets   | 28  |    | 4879  |      | A |                      |
| Olanzapine 15mg orodispersible tablets sugar free                                    | 28  |    | 2022  | ▽    | A |                      |
| Olanzapine 15mg tablets  | 28  |    | 220   |      | M |                      |
| Olanzapine 2.5mg tablets   | 28  |    | 160   |      | M |                      |
| Olanzapine 20mg oral lyophilisates sugar free  | 28  |    | 17479 |      | C | Zyprexa Velotab      |
| Olanzapine 20mg orodispersible tablets   | 28  |    | 7990  | △    | A |                      |
| Olanzapine 20mg orodispersible tablets sugar free                                    | 28  |    | 1893  |      | A |                      |
| Olanzapine 20mg tablets  | 28  |    | 320   |      | M |                      |
| Olanzapine 5mg oral lyophilisates sugar free   | 28  |    | 4807  |      | C | Zyprexa Velotab      |
| Olanzapine 5mg orodispersible tablets  | 28  |    | 2994  | △    | A |                      |
| Olanzapine 5mg orodispersible tablets sugar free                                     | 28  |    | 1214  | ▽    | A |                      |



|   |     |        |       |                           |
|---|-----|--------|-------|---------------------------|
| Olanzapine 5mg tablets  | 28  | 159    | M     |                           |
| Olanzapine 7.5mg tablets  | 28  | 195    | M     |                           |
| Olanzapine embonate 210mg powder and solvent for suspension for injection vials       | ■   | 1      | 14276 | C Zypadhera               |
| Olanzapine embonate 300mg powder and solvent for suspension for injection vials       | ■   | 1      | 22264 | C Zypadhera               |
| Olanzapine embonate 405mg powder and solvent for suspension for injection vials       | ■   | 1      | 28552 | C Zypadhera               |
| Olaparib 100mg tablets  | 56  | 231750 | C     | Lynparza                  |
| Olaparib 150mg tablets  | 56  | 231750 | C     | Lynparza                  |
| Olaparib 50mg capsules  | 448 | 355000 | C     | Lynparza                  |
| Olmesartan medoxomil 10mg tablets   | 28  | 598    | M     |                           |
| Olmesartan medoxomil 20mg / Amlodipine 5mg tablets                                    | 28  | 1695   | C     | Sevikar                   |
| Olmesartan medoxomil 20mg / Hydrochlorothiazide 12.5mg tablets                        | 28  | 1295   | C     | Olmotec Plus              |
| Olmesartan medoxomil 20mg / Hydrochlorothiazide 25mg tablets                          | 28  | 1295   | C     | Olmotec Plus              |
| Olmesartan medoxomil 20mg tablets   | 28  | 565    | M     |                           |
| Olmesartan medoxomil 40mg / Amlodipine 10mg tablets                                   | 28  | 1695   | C     | Sevikar                   |
| Olmesartan medoxomil 40mg / Amlodipine 5mg tablets                                    | 28  | 1695   | C     | Sevikar                   |
| Olmesartan medoxomil 40mg / Hydrochlorothiazide 12.5mg tablets                        | 28  | 1750   | C     | Olmotec Plus              |
| Olmesartan medoxomil 40mg tablets   | 28  | 284    | M     |                           |
| Olopatadine 2.5micrograms/dose inhalation solution cartridge CFC free                 | ■   | 60     | dose  | 2635 C Striverdi Respimat |
| Olopatadine 2.5micrograms/dose solution for inhalation cartridge with device CFC free | ■   | 60     | dose  | 2635 C Striverdi Respimat |
| Olopatadine 1mg/ml eye drops  | ■   | 5      | ml    | 468 C Opatanol            |
| Olsalazine 250mg capsules   | 112 | 14400  | A     |                           |
| Olsalazine 500mg tablets  | 60  | 16100  | A     |                           |
| Omalizumab 150mg/1ml solution for injection pre-filled syringes                       | ■   | 1      | 25615 | C Xolair                  |
| Omalizumab 75mg/0.5ml solution for injection pre-filled syringes                      | ■   | 1      | 12807 | C Xolair                  |
| Omeprazole 10mg dispersible gastro-resistant tablets                                  | 28  | 930    | C     | Losec MUPS                |
| Omeprazole 10mg gastro-resistant capsules   | 28  | 106    | M     |                           |
| Omeprazole 10mg gastro-resistant tablets  | 28  | 790    | A     |                           |
| Omeprazole 10mg/5ml oral suspension sugar free  | ■   | 75     | ml    | 10139 A                   |
| Omeprazole 20mg dispersible gastro-resistant tablets                                  | 28  | 1392   | C     | Losec MUPS                |
| Omeprazole 20mg gastro-resistant capsules   | 28  | 108    | M     |                           |
| Omeprazole 20mg gastro-resistant tablets  | 28  | 672    | M     |                           |
| Omeprazole 20mg/5ml oral suspension sugar free  | ■   | 75     | ml    | 19619 A                   |
| Omeprazole 40mg dispersible gastro-resistant tablets                                  | 7   | 696    | C     | Losec MUPS                |
| Omeprazole 40mg gastro-resistant capsules   | 7   | 84     | M     |                           |
| Omeprazole 40mg gastro-resistant tablets  | 7   | 689    | M     |                           |
| Omeprazole 40mg powder for solution for infusion vials                                | 5   | 2600   | C     | Bowmed Ibisqus Ltd        |
| Ondansetron 4mg oral lyophilisates sugar free   | 10  | 3597   | C     | Zofran Melt               |
| Ondansetron 4mg orodispersible films sugar free                                       | 10  | 2850   | C     | Setofilm                  |
| Ondansetron 4mg orodispersible tablets  | 10  | 4348   | A     |                           |
| Ondansetron 4mg tablets   | 10  | 99     | M     |                           |
| Ondansetron 4mg/2ml solution for injection ampoules                                   | 5   | 2997   | C     | Zofran Flexi-amp          |
|   | 10  | 1870   | C     | hameln pharma Ltd         |
| Ondansetron 4mg/5ml oral solution sugar free  | 50  | ml     | 3845  | ▽ A                       |
| Ondansetron 8mg oral lyophilisates sugar free   | 10  | 7194   | C     | Zofran Melt               |
| Ondansetron 8mg orodispersible films sugar free                                       | 10  | 5700   | C     | Setofilm                  |
| Ondansetron 8mg orodispersible tablets  | 10  | 8543   | A     |                           |
| Ondansetron 8mg tablets   | 10  | 147    | M     |                           |
| Ondansetron 8mg/4ml solution for injection ampoules                                   | 5   | 5995   | C     | Zofran Flexi-amp          |
| Opicapone 50mg capsules   | 30  | 9390   | C     | Ongentys                  |
| Orange syrup  | 500 | ml     | 1206  | C J M Loveridge Ltd       |
| Orlistat 120mg capsules   | 84  | 2039   | M     |                           |
| Orlistat 60mg capsules  | 84  | 3070   | C     | Alli                      |
| Orphenadrine 50mg/5ml oral solution sugar free  | 150 | ml     | 6700  | A                         |
| Oseltamivir 30mg capsules   | 10  | 771    | C     | Tamiflu                   |
| Oseltamivir 45mg capsules   | 10  | 1541   | C     | Tamiflu                   |
| Oseltamivir 6mg/ml oral suspension sugar free   | ●   | 65     | ml    | 1027 C Tamiflu            |
| Oseltamivir 75mg capsules   | 10  | 1541   | C     | Tamiflu                   |
| Ospemifene 60mg tablets   | 28  | 3950   | C     | Senshio                   |
| Oxazepam 10mg tablets   | 28  | 484    | M     |                           |
| Oxazepam 15mg tablets   | 28  | 452    | M     |                           |
| Oxcarbazepine 150mg tablets   | 50  | 837    | A     |                           |
| Oxcarbazepine 300mg tablets   | 50  | 677    | M     |                           |

|   |      |    |        |     |   |               |
|---|------|----|--------|-----|---|---------------|
| Oxcarbazepine 600mg tablets   | 50   |    | 3871   | A   |   |               |
| Oxcarbazepine 60mg/ml oral suspension sugar free  | 250  | ml | 4896   | C   | Trileptal                                 |               |
| Oxerutins 250mg capsules  | 120  |    | 2707   | C   | Paroven                                   |               |
| Oxybuprocaine 0.4% eye drops 0.5ml unit dose preservative free                            | 20   |    | 1056   | C   | Minims                                    |               |
| Oxybutynin 10mg modified-release tablets  | ■    | 30 | 2754   | C   | Lyrinel XL                                |               |
| Oxybutynin 2.5mg tablets  |      | 56 | 173    | M   |   |               |
| Oxybutynin 2.5mg/5ml oral solution sugar free   | 150  | ml | 21484  | A   |   |               |
| Oxybutynin 3.9mg/24hours transdermal patches  | 8    |    | 2720   | C   | Kentera                                   |               |
| Oxybutynin 3mg tablets  |      | 56 | 1903   | △   | A   |               |
| Oxybutynin 5mg modified-release tablets   | ■    | 30 | 1377   | C   | Lyrinel XL                                |               |
| Oxybutynin 5mg tablets  |      | 56 | 172    | M   |   |               |
| Oxybutynin 5mg/5ml oral solution sugar free   | 150  | ml | 23553  | A   |   |               |
| Oxycodone 10mg / Naloxone 5mg modified-release tablets                                    | 56   |    | 4232   | C   | Targinact                                 |               |
| Oxycodone 10mg capsules   | 56   |    | 2286   | C   | OxyNorm                                   |               |
| Oxycodone 10mg modified-release tablets   | 56   |    | 2504   | C   | OxyContin                                 |               |
| Oxycodone 10mg tablets  | 56   |    | 1029   | C   | Oxyact                                    |               |
| Oxycodone 10mg/1ml solution for injection ampoules  | 5    |    | 800    | C   | OxyNorm                                   |               |
| Oxycodone 10mg/ml oral solution sugar free  | 120  | ml | 4663   | C   | OxyNorm                                   |               |
| Oxycodone 120mg modified-release tablets  | 56   |    | 30502  | C   | OxyContin                                 |               |
| Oxycodone 15mg modified-release tablets   | 56   |    | 3812   | C   | OxyContin                                 |               |
| Oxycodone 20mg / Naloxone 10mg modified-release tablets                                   | 56   |    | 8462   | C   | Targinact                                 |               |
| Oxycodone 20mg capsules   | 56   |    | 4571   | C   | OxyNorm                                   |               |
| Oxycodone 20mg modified-release tablets   | 56   |    | 5008   | C   | OxyContin                                 |               |
| Oxycodone 20mg tablets  | 56   |    | 2057   | C   | Oxyact                                    |               |
| Oxycodone 20mg/2ml solution for injection ampoules  | 5    |    | 1600   | C   | OxyNorm                                   |               |
| Oxycodone 30mg modified-release tablets   | 56   |    | 7623   | C   | OxyContin                                 |               |
| Oxycodone 40mg / Naloxone 20mg modified-release tablets                                   | 56   |    | 16928  | C   | Targinact                                 |               |
| Oxycodone 40mg modified-release tablets   | 56   |    | 10019  | C   | OxyContin                                 |               |
| Oxycodone 50mg/1ml solution for injection ampoules  | 5    |    | 7010   | C   | OxyNorm                                   |               |
| Oxycodone 5mg / Naloxone 2.5mg modified-release tablets                                   | 28   |    | 2116   | C   | Targinact                                 |               |
| Oxycodone 5mg capsules  | 56   |    | 1143   | C   | OxyNorm                                   |               |
| Oxycodone 5mg modified-release tablets  | 28   |    | 1252   | C   | OxyContin                                 |               |
| Oxycodone 5mg tablets   | 56   |    | 515    | C   | Oxyact                                    |               |
| Oxycodone 5mg/5ml oral solution sugar free  | 250  | ml | 971    | C   | OxyNorm                                   |               |
| Oxycodone 60mg modified-release tablets   | 56   |    | 15249  | C   | OxyContin                                 |               |
| Oxycodone 80mg modified-release tablets   | 56   |    | 20039  | C   | OxyContin                                 |               |
| Oxytetracycline 250mg tablets   | 28   |    | 365    | M   |   |               |
| Oxytetracycline 3% / Hydrocortisone 1% ointment   | ■    | 30 | g      | 501 | C   | Terra-Cortril |
| Paliperidone 100mg/1ml suspension for injection pre-filled syringes                       | ■    | 1  | 31407  | C   | Xeplion                                   |               |
| Paliperidone 150mg/1.5ml suspension for injection pre-filled syringes                     | ■    | 1  | 39259  | C   | Xeplion                                   |               |
| Paliperidone 175mg/0.875ml prolonged-release suspension for injection pre-filled syringes | ■    | 1  | 55176  | C   | Trevicta                                  |               |
| Paliperidone 263mg/1.315ml prolonged-release suspension for injection pre-filled syringes | ■    | 1  | 73470  | C   | Trevicta                                  |               |
| Paliperidone 350mg/1.75ml prolonged-release suspension for injection pre-filled syringes  | ■    | 1  | 94221  | C   | Trevicta                                  |               |
| Paliperidone 3mg modified-release tablets   |      | 28 | 9728   | C   | Invega                                    |               |
| Paliperidone 50mg/0.5ml suspension for injection pre-filled syringes                      | ■    | 1  | 18392  | C   | Xeplion                                   |               |
| Paliperidone 525mg/2.625ml prolonged-release suspension for injection pre-filled syringes | ■    | 1  | 117777 | C   | Trevicta                                  |               |
| Paliperidone 6mg modified-release tablets   |      | 28 | 9728   | C   | Invega                                    |               |
| Paliperidone 75mg/0.75ml suspension for injection pre-filled syringes                     | ■    | 1  | 24490  | C   | Xeplion                                   |               |
| Paliperidone 9mg modified-release tablets   |      | 28 | 14592  | C   | Invega                                    |               |
| Pamidronate disodium 90mg/6ml solution for infusion ampoules                              | ■    | 1  | 17046  | C   | Wockhardt UK Ltd                          |               |
| Pantoprazole 20mg gastro-resistant tablets  |      | 28 | 156    | M   |   |               |
| Pantoprazole 40mg gastro-resistant tablets  |      | 28 | 179    | M   |   |               |
| Pantoprazole 40mg powder for solution for injection vials                                 | ■    | 1  | 500    | C   | Sun Pharmaceutical Industries Europe B.V. |               |
|   |      | 5  | 2250   | C   | Bowmed Ibisqus Ltd                        |               |
| Paracetamol 120mg suppositories   |      | 10 | 1239   | A   |   |               |
| Paracetamol 120mg/5ml oral solution paediatric sugar free                                 | 2000 | ml | 2380   | C   | Alliance Healthcare (Distribution) Ltd    |               |
| Paracetamol 120mg/5ml oral suspension 5ml sachets sugar free                              |      | 12 | 259    | C   | Calpol Infant                             |               |
|   |      | 20 | 419    | C   | Calpol Infant                             |               |
| Paracetamol 120mg/5ml oral suspension paediatric sugar free                               | 100  | ml | 163    | A   |   |               |
| Paracetamol 125mg suppositories   |      | 10 | 1380   | C   | Alvedon                                   |               |

|  |     |     |       |       |                                 |         |
|--|-----|-----|-------|-------|---------------------------------|---------|
| Paracetamol 1g effervescent tablets sugar free                                       | 50  |     | 659   | C     | Altridexamol                    |         |
| Paracetamol 1g suppositories   | 10  |     | 6000  | A     |                                 |         |
| Paracetamol 1g tablets   | 100 |     | 350   | C     | Dawa Ltd                        |         |
| Paracetamol 1g/100ml solution for infusion vials                                     | 10  |     | 1200  | C     | Accord Healthcare Ltd           |         |
| Paracetamol 240mg suppositories  | 10  |     | 2201  | A     |                                 |         |
| Paracetamol 250mg orodispersible tablets sugar free                                  | 12  |     | 287   | C     | Calpol Six Plus Fastmelts       |         |
|  | 24  |     | 447   | C     | Calpol Six Plus Fastmelts       |         |
| Paracetamol 250mg suppositories  | 10  |     | 2760  | C     | Alvedon                         |         |
| Paracetamol 250mg/5ml oral suspension  | 100 | ml  | 297   | M     |                                 |         |
| Paracetamol 250mg/5ml oral suspension 5ml sachets sugar free                         | 12  |     | 316   | C     | Calpol Six Plus                 |         |
| Paracetamol 250mg/5ml oral suspension sugar free                                     | 200 | ml  | 266   | M     |                                 |         |
| Paracetamol 325mg / Isometheptene 65mg capsules                                      | 15  |     | 420   | C     | Midrid                          |         |
|  | 30  |     | 750   | C     | Midrid                          |         |
| Paracetamol 500mg / Diphenhydramine 25mg tablets                                     | 20  |     | 320   | C     | Panadol NightPain               |         |
| Paracetamol 500mg / Ibuprofen 200mg tablets  | 12  |     | 258   | C     | Nuromol                         |         |
|  | 24  |     | 452   | C     | Nuromol                         |         |
| Paracetamol 500mg capsules   | 32  |     | 182   | M     |                                 |         |
|  | 100 |     | 569   | M     |                                 |         |
| Paracetamol 500mg effervescent tablets   | 100 |     | 879   | C     | Accord Healthcare Ltd           |         |
| Paracetamol 500mg soluble tablets  | 24  |     | 209   | M     |                                 |         |
|  | 100 |     | 871   | M     |                                 |         |
| Paracetamol 500mg suppositories  | 10  |     | 4127  | A     |                                 |         |
| Paracetamol 500mg tablets  | 32  |     | 94    | M     |                                 |         |
|  | 100 |     | 294   | M     |                                 |         |
| Paracetamol 500mg/5ml oral solution sugar free                                       | 200 | ml  | 1800  | C     | Advanz Pharma                   |         |
| Paracetamol 500mg/5ml oral suspension sugar free                                     | 150 | ml  | 2400  | A     |                                 |         |
| Paracetamol 60mg suppositories   | 10  |     | 1195  | C     | Alvedon                         |         |
| Paracetamol 80mg suppositories   | 10  |     | 1000  | C     | Phoenix Labs Ltd                |         |
| Paraffin hard MP 43-46C solid  | 500 | g   | 547   | C     | J M Loveridge Ltd               |         |
| Paraffin hard solid  | 500 | g   | 393   | C     | J M Loveridge Ltd               |         |
| Parecoxib 40mg powder and solvent for solution for injection vials                   | 5   |     | 2834  | C     | Dynastat                        |         |
| Parecoxib 40mg powder for solution for injection vials                               | 10  |     | 4960  | C     | Dynastat                        |         |
| Paricalcitol 1microgram capsules   | 28  |     | 6944  | C     | Zemplar                         |         |
| Paricalcitol 2microgram capsules   | 28  |     | 13888 | C     | Zemplar                         |         |
| Paroxetine 10mg tablets  | 28  |     | 310   | M     |                                 |         |
| Paroxetine 10mg/5ml oral suspension sugar free                                       | 150 | ml  | 912   | C     | Seroxat Liquid                  |         |
| Paroxetine 20mg tablets  | 30  |     | 146   | M     |                                 |         |
| Paroxetine 30mg tablets  | 30  |     | 187   | M     |                                 |         |
| Paroxetine 40mg tablets  | 28  |     | 1575  | ▽     | A                               |         |
| Patiomer calcium 16.8g oral powder sachets   | 30  |     | 17250 | C     | Veltassa                        |         |
| Patiomer calcium 8.4g oral powder sachets  | 30  |     | 17250 | C     | Veltassa                        |         |
| Peginterferon alfa-2a 135micrograms/0.5ml solution for injection pre-filled syringes | ■   | 1   | 10776 | C     | Pegasys                         |         |
| Penicillamine 125mg tablets  | 56  |     | 6252  | A     |                                 |         |
| Penicillamine 250mg tablets  | 56  |     | 11370 | A     |                                 |         |
| Pentazocine 25mg tablets   | 28  |     | 2504  | A     |                                 |         |
| Pentazocine 50mg capsules  | 28  |     | 2850  | C     |                                 |         |
| Pentosan polysulfate sodium 100mg capsules   | 90  |     | 45000 | C     | Elmiron (Consilient Health Ltd) |         |
| Pentoxifylline 400mg modified-release tablets  | 90  |     | 1939  | C     | Trental 400                     |         |
| Peppermint oil 0.2ml gastro-resistant capsules                                       | 84  |     | 704   | C     | Mintec                          |         |
| Peppermint oil 0.2ml gastro-resistant modified-release capsules                      | 100 |     | 1497  | C     | Colpermin IBS Relief            |         |
| Peppermint oil liquid  | 100 | ml  | 1503  | C     | J M Loveridge Ltd               |         |
| Peppermint water BP 1973   | 100 | ml  | 1075  | △     | A                               |         |
| Peppermint water concentrated  | 100 | ml  | 1118  | C     | J M Loveridge Ltd               |         |
| Perampanel 10mg tablets  | 28  |     | 14000 | C     | Fycompa                         |         |
| Perampanel 12mg tablets  | 28  |     | 14000 | C     | Fycompa                         |         |
| Perampanel 2mg tablets   | 7   |     | 3500  | C     | Fycompa                         |         |
|  | 28  |     | 14000 | C     | Fycompa                         |         |
| Perampanel 4mg tablets   | 28  |     | 14000 | C     | Fycompa                         |         |
| Perampanel 500micrograms/ml oral suspension sugar free                               | ■   | 340 | ml    | 12750 | C                               | Fycompa |
| Perampanel 6mg tablets   | 28  |     | 14000 | C     | Fycompa                         |         |
| Perampanel 8mg tablets   | 28  |     | 14000 | C     | Fycompa                         |         |
| Pericyazine 10mg tablets   | 84  |     | 7200  | A     |                                 |         |

|   |     |      |      |       |                        |                                |                                |
|---|-----|------|------|-------|------------------------|--------------------------------|--------------------------------|
| Pericyazine 10mg/5ml oral solution  | 100 | ml   | 8280 | A     |                        |                                |                                |
| Pericyazine 2.5mg tablets   | 84  |      | 2790 | A     |                        |                                |                                |
| Perindopril arginine 10mg tablets   | ■   | 30   | 1065 | C     | Coversyl Arginine      |                                |                                |
| Perindopril arginine 2.5mg tablets  | ■   | 30   | 443  | C     | Coversyl Arginine      |                                |                                |
| Perindopril arginine 5mg / Indapamide 1.25mg tablets                                    | ■   | 30   | 951  | C     | Coversyl Arginine Plus |                                |                                |
| Perindopril arginine 5mg tablets  | ■   | 30   | 628  | C     | Coversyl Arginine      |                                |                                |
| Perindopril erbumine 2mg tablets  |     | 30   | 152  | M     |                        |                                |                                |
| Perindopril erbumine 4mg tablets  |     | 30   | 172  | M     |                        |                                |                                |
| Perindopril erbumine 8mg tablets  |     | 30   | 192  | M     |                        |                                |                                |
| Permethrin 1% scalp application   | ■   | 118  | ml   | 711   | C                      | Lyclear                        |                                |
| Permethrin 5% cream   | ■   | 30   | g    | 773   | △                      | A                              |                                |
| Pethidine 100mg/2ml solution for injection ampoules                                     |     | 10   |      | 466   | C                      | Martindale Pharmaceuticals Ltd |                                |
| Pethidine 50mg tablets  |     | 50   |      | 5214  | ▽                      | A                              |                                |
| Pethidine 50mg/1ml solution for injection ampoules                                      |     | 10   |      | 511   | A                      |                                |                                |
| Phenazone 40mg/g / Lidocaine 10mg/g ear drops   | ■   | 15   | ml   | 892   | C                      | Otigo                          |                                |
| Phenindione 10mg tablets  |     | 28   |      | 65700 | C                      | Advanz Pharma                  |                                |
| Phenindione 25mg tablets  |     | 28   |      | 65700 | C                      | Advanz Pharma                  |                                |
| Phenobarbital 15mg tablets  |     | 28   |      | 2410  | △                      | A                              |                                |
| Phenobarbital 15mg/5ml elixir   |     | 500  | ml   | 8301  | A                      |                                |                                |
| Phenobarbital 200mg/1ml solution for injection ampoules                                 |     | 10   |      | 10781 | △                      | A                              |                                |
| Phenobarbital 30mg tablets  |     | 28   |      | 113   | M                      |                                |                                |
| Phenobarbital 30mg/1ml solution for injection ampoules                                  |     | 10   |      | 12532 | △                      | A                              |                                |
| Phenobarbital 60mg tablets  |     | 28   |      | 787   | A                      |                                |                                |
| Phenobarbital 60mg/1ml solution for injection ampoules                                  |     | 10   |      | 13852 | △                      | C                              | Martindale Pharmaceuticals Ltd |
| Phenoxybenzamine 10mg capsules  |     | 30   |      | 12921 | C                      | Advanz Pharma                  |                                |
| Phenoxymethylpenicillin 125mg/5ml oral solution   | ●   | 100  | ml   | 207   | M                      |                                |                                |
| Phenoxymethylpenicillin 125mg/5ml oral solution sugar free                              | ●   | 100  | ml   | 534   | M                      |                                |                                |
| Phenoxymethylpenicillin 250mg tablets   |     | 28   |      | 127   | M                      |                                |                                |
| Phenoxymethylpenicillin 250mg/5ml oral solution   | ●   | 100  | ml   | 376   | M                      |                                |                                |
| Phenoxymethylpenicillin 250mg/5ml oral solution sugar free                              | ●   | 100  | ml   | 598   | M                      |                                |                                |
| Phentolamine 2mg/0.35ml / Aviptadil 25micrograms/0.35ml solution for injection ampoules |     | 5    |      | 4750  | C                      | Invicorp                       |                                |
| Phenylbutazone 100mg tablets  |     | 84   |      | 13500 | A                      |                                |                                |
| Phenylephrine 10% eye drops 0.5ml unit dose preservative free                           |     | 20   |      | 1187  | C                      | Minims                         |                                |
| Phenylephrine 2.5% eye drops 0.5ml unit dose preservative free                          |     | 20   |      | 1187  | C                      | Minims                         |                                |
| Phenytoin 30mg/5ml oral suspension  |     | 500  | ml   | 427   | C                      | Epanutin                       |                                |
| Phenytoin 50mg chewable tablets   |     | 200  |      | 1318  | C                      | Epanutin Infatabs              |                                |
| Phenytoin sodium 100mg capsules   |     | 84   |      | 1297  | M                      |                                |                                |
| Phenytoin sodium 100mg tablets  |     | 28   |      | 926   | M                      |                                |                                |
| Phenytoin sodium 25mg capsules  |     | 28   |      | 724   | A                      |                                |                                |
| Phenytoin sodium 300mg capsules   |     | 28   |      | 911   | A                      |                                |                                |
| Phenytoin sodium 50mg capsules  |     | 28   |      | 707   | A                      |                                |                                |
| Pholcodine 10mg/5ml linctus strong  |     | 200  | ml   | 167   | C                      | Bell,Sons & Co (Druggists) Ltd |                                |
| Pholcodine 10mg/5ml linctus strong sugar free   |     | 2000 | ml   | 988   | C                      | Galenphol Strong               |                                |
| Pholcodine 5mg/5ml linctus  |     | 200  | ml   | 132   | C                      | Thornton & Ross Ltd            |                                |
| Pholcodine 5mg/5ml linctus sugar free   |     | 200  | ml   | 134   | C                      | Thornton & Ross Ltd            |                                |
| Phosphates enema (Formula B) 128ml long tube  | ■   | 1    |      | 2793  | A                      |                                |                                |
| Phosphates enema (Formula B) 128ml standard tube  | ■   | 1    |      | 2793  | A                      |                                |                                |
| Phytomenadione 10mg/1ml solution for injection ampoules                                 |     | 10   |      | 378   | C                      | Konaktion MM                   |                                |
| Phytomenadione 1mg capsules   |     | 12   |      | 395   | C                      | Neokay                         |                                |
| Phytomenadione 2mg/0.2ml solution for injection ampoules                                |     | 5    |      | 1049  | C                      | Cheplapharm Arzneimittel GmbH  |                                |
| Pilocarpine 5mg tablets   |     | 84   |      | 4114  | C                      | Salagen                        |                                |
| Pilocarpine hydrochloride 1% eye drops  | ■   | 10   | ml   | 2230  | A                      |                                |                                |
| Pilocarpine hydrochloride 2% eye drops  | ■   | 10   | ml   | 2279  | A                      |                                |                                |
| Pilocarpine hydrochloride 4% eye drops  | ■   | 10   | ml   | 2840  | A                      |                                |                                |
| Pilocarpine nitrate 2% eye drops 0.5ml unit dose preservative free                      |     | 20   |      | 1247  | C                      | Minims                         |                                |
| Pimecrolimus 1% cream   | ■   | 30   | g    | 1969  | C                      | Elidel                         |                                |
|   | ■   | 60   | g    | 3741  | C                      | Elidel                         |                                |
|   | ■   | 100  | g    | 5907  | C                      | Elidel                         |                                |
| Pimozide 4mg tablets  |     | 100  |      | 4031  | C                      | Orap                           |                                |

|  |             |     |       |      |                     |
|--|-------------|-----|-------|------|---------------------|
| Pindolol 5mg tablets   | 100         |     | 805   |      | A                   |
| Pioglitazone 15mg / Metformin 850mg tablets  | 56          |     | 3589  |      | C Competact         |
| Pioglitazone 15mg tablets  | 28          |     | 136   |      | M                   |
| Pioglitazone 30mg tablets  | 28          |     | 159   |      | M                   |
| Pioglitazone 45mg tablets  | 28          |     | 233   |      | M                   |
| Piperacillin 2g / Tazobactam 250mg powder for solution for infusion vials                                    | ■           | 1   | 765   |      | C Tazocin           |
| Piracetam 1.2g tablets   | 60          |     | 1097  |      | C Nootropil         |
| Piracetam 333.3mg/ml oral solution sugar free  | 300         | ml  | 1631  |      | C Nootropil 33%     |
| Piracetam 800mg tablets  | 90          |     | 1175  |      | C Nootropil         |
| Piroxicam 0.5% gel   | ■           | 60  | g     | 276  | M                   |
|  | ■           | 112 | g     | 515  | M                   |
| Piroxicam 10mg capsules  | 56          |     | 507   | ▽    | A                   |
| Piroxicam 20mg capsules  | 28          |     | 518   |      | A                   |
| Piroxicam 20mg orodispersible tablets sugar free   | 30          |     | 1053  |      | C Feldene Melt      |
| Pitolisant 18mg tablets  | 30          |     | 31000 |      | C Wakix             |
| Pitolisant 4.5mg tablets   | 30          |     | 31000 |      | C Wakix             |
| Pivmecillinam 200mg tablets  | 10          |     | 540   |      | C Selexid           |
| Pizotifen 1.5mg tablets  | 28          |     | 543   |      | M                   |
| Pizotifen 500microgram tablets   | 28          |     | 259   |      | M                   |
| Pneumococcal polysaccharide conjugated vaccine (adsorbed) suspension for injection 0.5ml pre-filled syringes | ■           | 1   | 4910  |      | C Prevenar 13       |
| Pneumococcal polysaccharide vaccine solution for injection 0.5ml pre-filled syringes                         | ■           | 1   | 1680  |      | C Pneumovax 23      |
| Podophyllotoxin 0.15% cream  | ■           | 5   | g     | 1783 | C Warticon          |
| Podophyllotoxin 0.5% solution  | ■           | 3   | ml    | 1486 | C Warticon          |
|  | ■           | 3.5 | ml    | 1449 | C Condylone         |
| Posaconazole 100mg gastro-resistant tablets  | 24          |     | 59696 |      | C Noxafil           |
| Posaconazole 40mg/ml oral suspension   | 105         | ml  | 49120 |      | C                   |
| Potassium aminobenzoate 3g oral powder sachets   | 40          |     | 3431  |      | C Potaba            |
| Potassium chloride 375mg/5ml (potassium 5mmol/5ml) oral solution sugar free                                  | 500         | ml  | 912   |      | C Kay-Cee-L syrup   |
| Potassium chloride 600mg / Potassium bicarbonate 400mg (total potassium 12mmol) effervescent tablets         | 100 (5x 20) |     | 995   |      | C Sando-K           |
| Potassium chloride powder  | 500         | g   | 1182  |      | C J M Loveridge Ltd |
| Potassium citrate 1.5g / Citric acid 250mg effervescent tablets sugar free                                   | ■           | 12  | 398   |      | C Effercitrate      |
| Potassium citrate 3g granules sachets sugar free   | 6           |     | 372   |      | C Cystopurin        |
| Potassium citrate mixture  | 200         | ml  | 138   |      | A                   |
| Potassium citrate powder   | 500         | g   | 672   |      | C J M Loveridge Ltd |
| Potassium dihydrogen phosphate 13.6% (potassium 10mmol/10ml) solution for infusion 10ml ampoules             | 10          |     | 12364 | △    | A                   |
| Potassium iodide powder  | 500         | g   | 7099  |      | C J M Loveridge Ltd |
| Potassium permanganate 400mg tablets for cutaneous solution  | 30          |     | 2150  |      | C Permitabs         |
| Povidone-Iodine 10% alcoholic solution   | 500         | ml  | 797   |      | C Videne            |
| Povidone-Iodine 10% antiseptic solution  | 500         | ml  | 797   |      | C Videne            |
| Povidone-Iodine 2.5% dry powder spray  | ■           | 100 | ml    | 995  | C Betadine          |
| Povidone-Iodine 5% eye drops 0.4ml unit dose preservative free   | 20          |     | 1600  |      | C Minims            |
| Povidone-Iodine 7.5% surgical scrub solution   | ■           | 500 | ml    | 797  | C Videne            |
| Pramipexole 1.05mg modified-release tablets  | 30          |     | 9980  | △    | A                   |
| Pramipexole 1.57mg modified-release tablets  | 30          |     | 19004 | △    | A                   |
| Pramipexole 180microgram tablets   | 30          |     | 213   |      | M                   |
| Pramipexole 2.1mg modified-release tablets   | 30          |     | 24403 | △    | A                   |
| Pramipexole 2.62mg modified-release tablets  | 30          |     | 26727 | △    | A                   |
| Pramipexole 260microgram modified-release tablets  | 30          |     | 3051  | △    | A                   |
| Pramipexole 3.15mg modified-release tablets  | 30          |     | 36610 | △    | A                   |
| Pramipexole 350microgram tablets   | 30          |     | 1392  |      | A                   |
| Pramipexole 520microgram modified-release tablets  | 30          |     | 5139  | △    | A                   |
| Pramipexole 700microgram tablets   | 30          |     | 216   |      | M                   |
| Pramipexole 88microgram tablets  | 30          |     | 360   |      | M                   |
| Prasterone 6.5mg pessaries   | 28          |     | 1594  |      | C Intrarosa         |
| Prasugrel 10mg tablets   | 28          |     | 460   |      | M                   |
| Prasugrel 5mg tablets  | 28          |     | 692   | ▽    | A                   |
| Pravastatin 10mg tablets   | 28          |     | 115   |      | M                   |
| Pravastatin 20mg tablets   | 28          |     | 134   |      | M                   |
| Pravastatin 40mg tablets   | 28          |     | 163   |      | M                   |
| Prazosin 1mg tablets   | 60          |     | 346   |      | C Hypovase          |

|  |       |      |       |   |                              |
|--|-------|------|-------|---|------------------------------|
| Prazosin 500microgram tablets  | 60    |      | 269   | C | Hypovase                     |
| Prednisolone 10mg tablets  | 28    |      | 966   | C | Accord Healthcare Ltd        |
| Prednisolone 10mg/ml oral solution sugar free                                  | ■ 30  | ml   | 5550  | C | Advanz Pharma                |
| Prednisolone 1mg gastro-resistant tablets                                      | 30    |      | 743   | A |                              |
| Prednisolone 1mg tablets   | 28    |      | 88    | M |                              |
| Prednisolone 2.5mg gastro-resistant tablets                                    | 28    |      | 133   | M |                              |
| Prednisolone 2.5mg tablets   | 28    |      | 391   | C | Accord Healthcare Ltd        |
| Prednisolone 20mg tablets  | 28    |      | 1945  | C | Accord Healthcare Ltd        |
| Prednisolone 20mg/100ml rectal solution  | 7     |      | 1495  | C | RPH Pharmaceuticals AB       |
| Prednisolone 20mg/application foam enema                                       | ■ 14  | dose | 18700 | A |                              |
| Prednisolone 25mg tablets  | 56    |      | 4768  | ▽ | A                            |
| Prednisolone 30mg tablets  | 28    |      | 2912  | C | Accord Healthcare Ltd        |
| Prednisolone 5mg gastro-resistant tablets                                      | 28    |      | 179   | M |                              |
| Prednisolone 5mg soluble tablets   | 30    |      | 1083  | M |                              |
| Prednisolone 5mg tablets   | 28    |      | 108   | M |                              |
| Prednisolone 5mg/5ml oral solution unit dose                                   | 10    |      | 1141  | A |                              |
|  | (2x   |      |       |   |                              |
|  | ■ 5)  |      |       |   |                              |
| Prednisolone acetate 1% eye drops  | ■ 5   | ml   | 182   | C | Pred Forte                   |
|  | ■ 10  | ml   | 366   | C | Pred Forte                   |
| Prednisolone sodium phosphate 0.5% ear/eye drops                               | ■ 10  | ml   | 257   | C | RPH Pharmaceuticals AB       |
| Prednisolone sodium phosphate 0.5% eye drops 0.5ml unit dose preservative free | 20    |      | 1225  | C | Minims                       |
| Prednisolone sodium phosphate 5mg suppositories                                | 10    |      | 14134 | △ | A                            |
| Pregabalin 100mg capsules  | 84    |      | 414   | M |                              |
| Pregabalin 100mg tablets   | 84    |      | 559   | A |                              |
| Pregabalin 150mg capsules  | 56    |      | 361   | M |                              |
| Pregabalin 150mg tablets   | 56    |      | 575   | ▽ | A                            |
| Pregabalin 200mg capsules  | 84    |      | 696   | M |                              |
| Pregabalin 200mg tablets   | 84    |      | 733   | ▽ | A                            |
| Pregabalin 20mg/ml oral solution sugar free                                    | ■ 473 | ml   | 9215  | ▽ | A                            |
| Pregabalin 225mg capsules  | 56    |      | 308   | M |                              |
| Pregabalin 225mg tablets   | 56    |      | 639   | A |                              |
| Pregabalin 25mg capsules   | 56    |      | 231   | M |                              |
| Pregabalin 25mg tablets  | 56    |      | 434   | ▽ | A                            |
| Pregabalin 300mg capsules  | 56    |      | 517   | M |                              |
| Pregabalin 300mg tablets   | 56    |      | 733   | ▽ | A                            |
| Pregabalin 50mg capsules   | 84    |      | 373   | M |                              |
| Pregabalin 50mg tablets  | 84    |      | 409   | ▽ | A                            |
| Pregabalin 75mg capsules   | 56    |      | 262   | M |                              |
| Pregabalin 75mg tablets  | 56    |      | 484   | ▽ | A                            |
| Pridinol 3mg tablets   | 20    |      | 536   | C | Myopridin                    |
|  | 100   |      | 2616  | C | Myopridin                    |
| Primidone 250mg tablets  | 100   |      | 11506 | M |                              |
| Primidone 50mg tablets   | 100   |      | 11166 | A |                              |
| Procarbazine 50mg capsules   | 50    |      | 47963 | C | Alliance Pharmaceuticals Ltd |
| Prochlorperazine 12.5mg/1ml solution for injection ampoules                    | 10    |      | 523   | C | Stemetil                     |
| Prochlorperazine 3mg buccal tablets  | 50    |      | 1488  | M |                              |
| Prochlorperazine 5mg tablets   | 28    |      | 138   | M |                              |
| Prochlorperazine 5mg/5ml oral solution   | 100   | ml   | 334   | C | Stemetil Syrup               |
| Procyclidine 10mg/2ml solution for injection ampoules                          | 5     |      | 7797  | ▽ | A                            |
| Procyclidine 2.5mg/5ml oral solution sugar free                                | 150   | ml   | 2309  | A |                              |
| Procyclidine 5mg tablets   | 28    |      | 180   | M |                              |
| Procyclidine 5mg/5ml oral solution sugar free                                  | 150   | ml   | 3325  | A |                              |
| Progesterone 100mg pessaries   | 21    |      | 1950  | C | Lutigest                     |
| Progesterone 200mg pessaries   | 15    |      | 895   | C | Cyclogest                    |
| Progesterone 25mg/1.112ml solution for injection vials                         | 7     |      | 5600  | C | Lubion                       |
| Progesterone 400mg pessaries   | 15    |      | 1296  | C | Cyclogest                    |
| Progesterone 8% vaginal gel 1.125g applicators                                 | 15    |      | 3083  | C | Crinone                      |
| Progesterone micronised 100mg capsules   | 30    |      | 513   | C | Utrogestan                   |
| Progesterone micronised 200mg vaginal capsules                                 | 21    |      | 2100  | C | Utrogestan                   |
| Proguanil 100mg / Atovaquone 250mg tablets                                     | 12    |      | 3178  | A |                              |
| Proguanil 100mg tablets  | 98    |      | 1195  | C | Paludrine                    |
| Proguanil 25mg / Atovaquone 62.5mg tablets                                     | 12    |      | 626   | C | Malarone Paediatric          |
| Promazine 25mg tablets   | 100   |      | 4533  | A |                              |
| Promazine 25mg/5ml oral solution   | 150   | ml   | 4078  | A |                              |
| Promazine 50mg tablets   | 100   |      | 7457  | A |                              |
| Promazine 50mg/5ml oral solution   | 150   | ml   | 5111  | A |                              |

|  |      |        |      |   |       |   |
|--|------|--------|------|---|-------|---|
| Promethazine 25mg/1ml solution for injection ampoules                      | 10   |        | 674  |   | C     | Phenergan                                 |
| Promethazine 5mg/5ml oral solution sugar free                              | 100  | ml     | 285  |   | C     | Phenergan Elixir                          |
| Promethazine hydrochloride 10mg tablets                                    | 56   |        | 394  | ▽ | A     |   |
| Promethazine hydrochloride 20mg tablets                                    | 8    |        | 189  |   | C     | Sominex                                   |
|  | 16   |        | 269  |   | C     | Sominex                                   |
| Promethazine hydrochloride 25mg tablets                                    | 56   |        | 579  | △ | A     |   |
| Promethazine teoclate 25mg tablets   | 28   |        | 313  |   | C     | Avomine                                   |
| Propafenone 150mg tablets  | 90   |        | 737  |   | A     |   |
| Propafenone 300mg tablets  | 60   |        | 934  |   | C     |   |
| Propamide 0.1% eye drops   | 10   | ml     | 280  |   | C     | Brolene                                   |
| Propantheline bromide 15mg tablets   | 112  |        | 2074 |   | C     | Pro-Banthine                              |
| Propiverine 15mg tablets   | 56   |        | 4822 | △ | A     |   |
| Propiverine 30mg modified-release capsules                                 | 28   |        | 2445 |   | C     | Detrunorm XL                              |
| Propiverine 45mg modified-release capsules                                 | 28   |        | 2790 |   | C     | Detrunorm XL                              |
| Propranolol 10mg tablets   | 28   |        | 155  |   | M     |   |
| Propranolol 10mg/5ml oral solution sugar free                              | 150  | ml     | 2845 |   | A     |   |
| Propranolol 160mg modified-release capsules                                | 28   |        | 488  |   | A     |   |
| Propranolol 160mg tablets  | 56   |        | 588  |   | A     |   |
| Propranolol 40mg tablets   | 28   |        | 155  |   | M     |   |
| Propranolol 40mg/5ml oral solution sugar free                              | 150  | ml     | 3651 |   | A     |   |
| Propranolol 50mg/5ml oral solution sugar free                              | 150  | ml     | 3851 |   | A     |   |
| Propranolol 5mg/5ml oral solution sugar free                               | 150  | ml     | 2351 |   | A     |   |
| Propranolol 80mg modified-release capsules                                 | 28   |        | 495  |   | C     |   |
| Propranolol 80mg tablets   | 56   |        | 261  |   | M     |   |
| Propylene glycol liquid  | 500  | ml     | 581  |   | C     | J M Loveridge Ltd                         |
| Propylthiouracil 50mg tablets  | 56   |        | 599  |   | M     |   |
| Proxymetacaine 0.5% eye drops 0.5ml unit dose preservative free            | 20   |        | 1212 |   | C     | Minims proxymetacaine                     |
| Prucalopride 1mg tablets   | 28   |        | 3869 |   | C     | Resolor                                   |
| Prucalopride 2mg tablets   | 28   |        | 5952 |   | C     | Resolor                                   |
| Pseudoephedrine 30mg/5ml / Chlorphenamine 2mg/5ml oral solution sugar free | 500  | ml     | 367  |   | C     | Galpseud Plus Linctus                     |
| Pseudoephedrine 30mg/5ml oral solution                                     | 100  | ml     | 234  |   | C     | Sudafed Decongestant liquid               |
| Pseudoephedrine 30mg/5ml oral solution sugar free                          | 100  | ml     | 167  |   | C     | Care Decongestant                         |
| Pseudoephedrine 60mg / Acrivastine 8mg capsules                            | 12   |        | 379  |   | C     | Benadryl Allergy Relief Plus Decongestant |
| Pseudoephedrine hydrochloride 60mg / Triprolidine 2.5mg tablets            | 12   |        | 286  |   | C     | Multi-Action Actifed                      |
| Pseudoephedrine hydrochloride 60mg tablets                                 | 12   |        | 255  |   | C     | Sudafed Decongestant                      |
|  | 24   |        | 225  |   | C     | Galpseud                                  |
| Purified water   | 5000 | ml     | 354  |   | A     |   |
| Pyrazinamide 500mg tablets   | 30   |        | 4006 |   | A     |   |
| Pyridostigmine bromide 60mg tablets  | 200  |        | 4535 | △ | A     |   |
| Pyridoxine 10mg tablets  | 28   |        | 1698 |   | A     |   |
| Pyridoxine 50mg tablets  | 28   |        | 2103 | △ | A     |   |
| Pyrimethamine 25mg tablets   | 30   |        | 1300 |   | C     | Daraprim                                  |
| Quetiapine 100mg tablets   |      |        | 60   |   | 326   | M   |
| Quetiapine 150mg modified-release tablets                                  |      |        | 60   |   | 11310 | C Seroquel XL                             |
| Quetiapine 150mg tablets   |      |        | 60   |   | 299   | M   |
| Quetiapine 200mg modified-release tablets                                  |      |        | 60   |   | 11310 | C Seroquel XL                             |
| Quetiapine 200mg tablets   |      |        | 60   |   | 514   | M   |
| Quetiapine 20mg/ml oral suspension sugar free                              |      | 150 ml |      |   | 13200 | A   |
| Quetiapine 25mg tablets  |      |        | 60   |   | 173   | M   |
| Quetiapine 300mg modified-release tablets                                  |      |        | 60   |   | 17000 | C Seroquel XL                             |
| Quetiapine 300mg tablets   |      |        | 60   |   | 551   | M   |
| Quetiapine 400mg modified-release tablets                                  |      |        | 60   |   | 22620 | C Seroquel XL                             |
| Quetiapine 50mg modified-release tablets                                   |      |        | 60   |   | 6766  | C Seroquel XL                             |
| Quinagolide 50microgram tablets and Quinagolide 25microgram tablets        |      |        | 6    |   | 4489  | △ A                                       |
| Quinagolide 75microgram tablets  |      |        | 30   |   | 9849  | △ A                                       |
| Quinapril 10mg / Hydrochlorothiazide 12.5mg tablets                        |      |        | 28   |   | 1175  | C Accuretic                               |
| Quinapril 10mg tablets   |      |        | 28   |   | 860   | C Accupro                                 |
| Quinapril 20mg tablets   |      |        | 28   |   | 1079  | C Accupro                                 |
| Quinapril 40mg tablets   |      |        | 28   |   | 975   | C Accupro                                 |
| Quinapril 5mg tablets  |      |        | 28   |   | 860   | C Accupro                                 |

|  |        |       |   |                              |
|--|--------|-------|---|------------------------------|
| Quinine bisulfate 300mg tablets  | 28     | 1498  | △ | A                            |
| Quinine sulfate 200mg tablets  | 28     | 201   |   | M                            |
| Quinine sulfate 300mg tablets  | 28     | 313   |   | M                            |
| Rabeprazole 10mg gastro-resistant tablets                                | 28     | 142   |   | M                            |
| Rabeprazole 20mg gastro-resistant tablets                                | 28     | 166   |   | M                            |
| Raloxifene 60mg tablets  | 28     | 508   |   | M                            |
| Raltegravir 100mg chewable tablets                                       | 60     | 11785 | C | Isentress                    |
| Raltegravir 100mg granules sachets                                       | 60     | 21302 | C | Isentress                    |
| Raltegravir 25mg chewable tablets  | 60     | 2946  | C | Isentress                    |
| Raltegravir 400mg tablets  | 60     | 47141 | C | Isentress                    |
| Raltegravir 600mg tablets  | 60     | 47141 | C | Isentress                    |
| Ramipril 1.25mg capsules   | 28     | 123   |   | M                            |
| Ramipril 1.25mg tablets  | 28     | 151   |   | M                            |
| Ramipril 10mg capsules   | 28     | 118   |   | M                            |
| Ramipril 10mg tablets  | 28     | 122   |   | M                            |
| Ramipril 2.5mg capsules  | 28     | 113   |   | M                            |
| Ramipril 2.5mg tablets   | 28     | 118   |   | M                            |
| Ramipril 2.5mg/5ml oral solution sugar free                              | 150 ml | 13000 |   | A                            |
| Ramipril 5mg capsules  | 28     | 117   |   | M                            |
| Ramipril 5mg tablets   | 28     | 111   |   | M                            |
| Ranitidine 50mg/2ml solution for injection ampoules                      | 5      | 269   | C | Alliance Pharmaceuticals Ltd |
| Ranolazine 375mg modified-release tablets                                | 60     | 4898  | C | Ranexa                       |
| Ranolazine 500mg modified-release tablets                                | 60     | 4898  | C | Ranexa                       |
| Ranolazine 750mg modified-release tablets                                | 60     | 4898  | C | Ranexa                       |
| Rasagiline 1mg tablets   | 28     | 553   |   | M                            |
| Reboxetine 4mg tablets   | 60     | 1891  |   | C Edronax                    |
| Repaglinide 1mg tablets  | 90     | 1047  | △ | A                            |
| Repaglinide 2mg tablets  | 90     | 994   | △ | A                            |
| Repaglinide 500microgram tablets   | 90     | 406   | ▽ | A                            |
| Rifabutin 150mg capsules   | 30     | 9038  | C | Mycobutin                    |
| Rifampicin 100mg/5ml oral suspension                                     | 120 ml | 427   | C | Rifadin                      |
| Rifampicin 150mg / Isoniazid 100mg tablets                               | 84     | 1909  | C | Rifinah                      |
| Rifampicin 150mg capsules  | 100    | 5467  | A |                              |
| Rifampicin 300mg / Isoniazid 150mg tablets                               | 56     | 2522  | C | Rifinah                      |
| Rifampicin 300mg capsules  | 100    | 12306 | ▽ | A                            |
| Rifaximin 200mg tablets  | 9      | 1515  | C | Xifaxanta                    |
| Rifaximin 550mg tablets  | 56     | 25923 | C | Targaxan                     |
| Riluzole 25mg/5ml oral suspension sugar free                             | 300 ml | 10000 | C | Teglutik                     |
| Riluzole 50mg tablets  | 56     | 1257  |   | M                            |
| Riociguat 1.5mg tablets  | 42     | 99736 | C | Adempas                      |
| Riociguat 1mg tablets  | 42     | 99736 | C | Adempas                      |
| Riociguat 2.5mg tablets  | 42     | 99736 | C | Adempas                      |
| Riociguat 2mg tablets  | 42     | 99736 | C | Adempas                      |
| Riociguat 500microgram tablets   | 42     | 99736 | C | Adempas                      |
| Risedronate sodium 30mg tablets  | 28     | 15528 | A |                              |
| Risedronate sodium 35mg tablets  | 4      | 299   |   | M                            |
| Risedronate sodium 5mg tablets   | 28     | 1888  | A |                              |
| Risperidone 1mg orodispersible tablets sugar free                        | 28     | 2421  | ▽ | A                            |
| Risperidone 1mg tablets  | 20     | 133   |   | M                            |
| Risperidone 1mg/ml oral solution sugar free                              | 100 ml | 361   |   | M                            |
| Risperidone 25mg powder and solvent for suspension for injection vials   | 1      | 7969  | C | Risperdal Consta             |
| Risperidone 2mg orodispersible tablets sugar free                        | 28     | 3814  | A |                              |
| Risperidone 2mg tablets  | 60     | 259   |   | M                            |
| Risperidone 37.5mg powder and solvent for suspension for injection vials | 1      | 11132 | C | Risperdal Consta             |
| Risperidone 3mg orodispersible tablets sugar free                        | 28     | 4350  | A |                              |
| Risperidone 3mg tablets  | 60     | 333   |   | M                            |
| Risperidone 4mg orodispersible tablets sugar free                        | 28     | 5029  | A |                              |
| Risperidone 4mg tablets  | 60     | 367   |   | M                            |
| Risperidone 500microgram orodispersible tablets sugar free               | 28     | 1828  | A |                              |
| Risperidone 500microgram tablets   | 20     | 118   |   | M                            |
| Risperidone 50mg powder and solvent for suspension for injection vials   | 1      | 14276 | C | Risperdal Consta             |
| Risperidone 6mg tablets  | 28     | 5129  | △ | A                            |
| Rivaroxaban 10mg tablets   | 30     | 5400  | C | Xarelto                      |
| Rivaroxaban 15mg tablets   | 28     | 5040  | C | Xarelto                      |
| Rivaroxaban 15mg tablets and Rivaroxaban 20mg tablets                    | 49     | 8820  | C | Xarelto                      |
| Rivaroxaban 2.5mg tablets  | 56     | 5040  | C | Xarelto                      |
| Rivaroxaban 20mg tablets   | 28     | 5040  | C | Xarelto                      |



|   |       |          |     |                      |
|---|-------|----------|-----|----------------------|
| Rivastigmine 1.5mg capsules   | 28    | 310      | M   |                      |
| Rivastigmine 13.3mg/24hours transdermal patches   | 30    | 7797     | C   |                      |
| Rivastigmine 2mg/ml oral solution sugar free  | ■ 120 | ml 9682  | A   |                      |
| Rivastigmine 3mg capsules   | 28    | 351      | M   |                      |
| Rivastigmine 4.5mg capsules   | 28    | 2603     | ▽ A |                      |
| Rivastigmine 4.6mg/24hours transdermal patches  | 30    | 7797     | C   |                      |
| Rivastigmine 6mg capsules   | 28    | 2877     | ▽ A |                      |
| Rivastigmine 9.5mg/24hours transdermal patches  | 30    | 1997     | C   | Alzest               |
| Rizatriptan 10mg oral lyophilisates sugar free  | ■ 3   | 1337     | C   | Maxalt Melt          |
|   | ■ 6   | 2674     | C   | Maxalt Melt          |
|   | ■ 12  | 5348     | C   | Maxalt Melt          |
| Rizatriptan 10mg orodispersible tablets sugar free  | 3     | 391      | M   |                      |
| Rizatriptan 10mg tablets  | 3     | 307      | M   |                      |
| Rizatriptan 5mg tablets   | 6     | 2673     | A   |                      |
| Roflumilast 250microgram tablets  | 28    | 3520     | C   | Daxas                |
| Roflumilast 500microgram tablets  | 30    | 3771     | C   | Daxas                |
| Ropinirole 1mg tablets  | 84    | 2784     | M   |                      |
| Ropinirole 250microgram tablets   | 12    | 246      | M   |                      |
| Ropinirole 2mg modified-release tablets   | 28    | 1254     | C   |                      |
| Ropinirole 2mg tablets  | 28    | 717      | M   |                      |
| Ropinirole 3mg modified-release tablets   | 28    | 846      | C   | Ipinnia XL           |
| Ropinirole 4mg modified-release tablets   | 28    | 2509     | C   |                      |
| Ropinirole 500microgram tablets   | 28    | 439      | M   |                      |
| Ropinirole 5mg tablets  | 84    | 18563    | A   |                      |
| Ropinirole 6mg modified-release tablets   | 28    | 1532     | C   | Ipinnia XL           |
| Ropinirole 8mg modified-release tablets   | 28    | 4211     | C   |                      |
| Rosuvastatin 10mg tablets   | 28    | 150      | M   |                      |
| Rosuvastatin 20mg tablets   | 28    | 171      | M   |                      |
| Rosuvastatin 40mg tablets   | 28    | 215      | M   |                      |
| Rosuvastatin 5mg tablets  | 28    | 128      | M   |                      |
| Rotavirus vaccine live oral suspension 1.5ml tube   | ■ 1   | 3476     | C   | Rotarix              |
| Rotigotine 1mg/24hours transdermal patches  | 28    | 7724     | C   | Neupro               |
| Rotigotine 2mg/24hours transdermal patches  | 28    | 8110     | C   | Neupro               |
| Rotigotine 3mg/24hours transdermal patches  | 28    | 10235    | C   | Neupro               |
| Rotigotine 4mg/24hours transdermal patches  | 28    | 12360    | C   | Neupro               |
| Rotigotine 6mg/24hours transdermal patches  | 28    | 14993    | C   | Neupro               |
| Rotigotine 8mg/24hours transdermal patches  | 28    | 14993    | C   | Neupro               |
| Rufinamide 100mg tablets  | 10    | 515      | C   | Inovelon             |
| Rufinamide 200mg tablets  | 60    | 6177     | C   | Inovelon             |
| Rufinamide 400mg tablets  | 60    | 10296    | C   | Inovelon             |
| Rufinamide 40mg/ml oral suspension sugar free   | ■ 460 | ml 9471  | C   | Inovelon             |
| Rupatadine 10mg tablets   | 30    | 4309     | △ A |                      |
| Rupatadine 1mg/ml oral solution   | 120   | ml 1194  | A   |                      |
| Ruxolitinib 10mg tablets  | 56    | 285600   | C   | Jakavi               |
| Ruxolitinib 15mg tablets  | 56    | 285600   | C   | Jakavi               |
| Ruxolitinib 20mg tablets  | 56    | 285600   | C   | Jakavi               |
| Ruxolitinib 5mg tablets   | 56    | 142800   | C   | Jakavi               |
| Sacubitril 24mg / Valsartan 26mg tablets  | 28    | 4578     | C   | Entresto             |
| Sacubitril 49mg / Valsartan 51mg tablets  | 56    | 9156     | C   | Entresto             |
| Sacubitril 97mg / Valsartan 103mg tablets   | 56    | 9156     | C   | Entresto             |
| Safinamide 100mg tablets  | 30    | 6900     | C   | Xadago               |
| Safinamide 50mg tablets   | 30    | 6900     | C   | Xadago               |
| Salbutamol 100micrograms/dose breath actuated inhaler CFC free                                    | ■ 200 | dose 630 | C   | Salamol Easi-Breathe |
| Salbutamol 100micrograms/dose dry powder inhalation cartridge                                     | ■ 200 | dose 275 | C   | Salbulin Novolizer   |
| Salbutamol 100micrograms/dose dry powder inhalation cartridge with device                         | ■ 200 | dose 495 | C   | Salbulin Novolizer   |
| Salbutamol 100micrograms/dose dry powder inhaler  | ■ 200 | dose 331 | C   | Easyhaler Salbutamol |
| Salbutamol 100micrograms/dose inhaler CFC free  | ■ 200 | dose 150 | C   | Ventolin Evohaler    |
| Salbutamol 2.5mg/2.5ml / Ipratropium bromide 500micrograms/2.5ml nebuliser liquid unit dose vials | 60    | 2410     | C   | Combivent            |
| Salbutamol 2.5mg/2.5ml nebuliser liquid unit dose vials   | 20    | 392      | A   |                      |
| Salbutamol 200micrograms/dose dry powder inhaler  | ■ 60  | dose 360 | C   | Ventolin Accuhaler   |
|   | ■ 200 | dose 663 | C   | Easyhaler Salbutamol |
| Salbutamol 2mg tablets  | 28    | 10904    | △ A |                      |
| Salbutamol 2mg/5ml oral solution sugar free   | 150   | ml 150   | C   | Ventolin             |
| Salbutamol 4mg tablets  | 28    | 10752    | A   |                      |

|  |    |          |       |   |  |
|--|----|----------|-------|---|--|
| Salbutamol 500micrograms/1ml solution for injection ampoules   | 5  |          | 191   | C | Ventolin                                   |
| Salbutamol 5mg/2.5ml nebuliser liquid unit dose vials  | 20 |          | 588   | ▽ | A  |
| Salbutamol 5mg/5ml solution for infusion ampoules  | 10 |          | 2481  | C | Ventolin                                   |
| Salbutamol 5mg/ml nebuliser liquid   | ■  | 20 ml    | 218   | C | Ventolin                                   |
| Salicylic acid 12% / Lactic acid 4% gel  | ■  | 8 g      | 298   | C | Salatac                                    |
| Salicylic acid 16.7% / Lactic acid 15% paint   | ■  | 15 ml    | 278   | C | Duofilm                                    |
| Salicylic acid 16.7% / Lactic acid 16.7% paint   | ■  | 10 ml    | 171   | C | Salactol                                   |
| Salicylic acid 2% / Mucopolysaccharide polysulfate 0.2% cream  | ■  | 125 g    | 719   | C | Movelat                                    |
| Salicylic acid 2% / Mucopolysaccharide polysulfate 0.2% gel  | ■  | 125 g    | 719   | C | Movelat                                    |
| Salicylic acid 2% ointment   |    | 450 g    | 1249  | C | Thornton & Ross Ltd                        |
| Salicylic acid 26% gel   | ■  | 5 g      | 395   | C | Bazuka Extra Strength                      |
| Salicylic acid 26% solution  | ■  | 10 ml    | 356   | C | Occlusal                                   |
| Salicylic acid 40% medicated plasters  | ■  | 8        | 226   | C | Scholl Corn Removal 40% plasters washproof |
|  | ■  | 30       | 291   | C | Scholl Verucca Removal System              |
| Salicylic acid 50% ointment  | ■  | 6 g      | 444   | C | Verrugon                                   |
|  | ■  | 12 g     | 277   | C | Pickles                                    |
|  | ■  | 28 g     | 388   | C | Pickles                                    |
| Salmeterol 25micrograms/dose inhaler CFC free  | ■  | 120 dose | 2926  | C |  |
| Salmeterol 50micrograms/dose dry powder inhaler  | ■  | 60 dose  | 3511  | C | Serevent Accuhaler                         |
| Saxagliptin 2.5mg / Metformin 1g tablets   |    | 56       | 3160  | C | Komboglyze                                 |
| Saxagliptin 2.5mg / Metformin 850mg tablets  |    | 56       | 3160  | C | Komboglyze                                 |
| Saxagliptin 2.5mg tablets  |    | 28       | 3160  | C | Onglyza                                    |
| Saxagliptin 5mg / Dapagliflozin 10mg tablets   |    | 28       | 4956  | C | Qtern                                      |
| Saxagliptin 5mg tablets  |    | 28       | 3160  | C | Onglyza                                    |
| Selegiline 10mg tablets  |    | 100      | 3223  | C | Eldepryl                                   |
| Selegiline 5mg tablets   |    | 100      | 1652  | C | Eldepryl                                   |
| Selenium 100micrograms/2ml oral solution unit dose ampoules  |    | 20       | 2060  | C | Selenase                                   |
| Selenium sulfide 2.5% shampoo  | ■  | 50 ml    | 161   | C | Selsun                                     |
|  | ■  | 100 ml   | 215   | C | Selsun                                     |
|  | ■  | 150 ml   | 306   | C | Selsun                                     |
| Semaglutide 0.25mg/0.19ml solution for injection 1.5ml pre-filled disposable device                                | ■  | 1        | 7325  | C | Ozempic                                    |
| Semaglutide 0.5mg/0.37ml solution for injection 1.5ml pre-filled disposable device                                 | ■  | 1        | 7325  | C | Ozempic                                    |
| Semaglutide 1mg/0.74ml solution for injection 3ml pre-filled disposable device                                     | ■  | 1        | 7325  | C | Ozempic                                    |
| Senna 15mg tablets   |    | 48       | 569   | C | Senokot Max Strength                       |
| Senna 7.5mg tablets  |    | 60       | 319   | M |  |
| Senna 7.5mg/5ml oral solution sugar free   |    | 500 ml   | 699   | C | Senokot Pharmacy                           |
| Senna fruit 12.4% / Ispaghula 54.2% granules   | ■  | 250 g    | 630   | C | Manevac                                    |
| Sertraline 100mg tablets   |    | 28       | 323   | M |  |
| Sertraline 50mg tablets  |    | 28       | 230   | M |  |
| Sevelamer 2.4g oral powder sachets sugar free  |    | 60       | 16704 | C | Renvela                                    |
| Sevelamer 800mg tablets  |    | 180      | 3970  | M |  |
| Shark liver oil 3% / Yeast cell extract 1% ointment  | ■  | 25 g     | 217   | C | Preparation H                              |
| Shingles (Herpes Zoster) vaccine (live) powder and solvent for suspension for injection 0.65ml pre-filled syringes | ■  | 1        | 9996  | C | Zostavax                                   |
| § Sildenafil 100mg tablets   |    | 4        | 116   | M |  |
| § Sildenafil 10mg/ml oral suspension sugar free  | ■  | 112 ml   | 18675 | C | Revatio                                    |
| § Sildenafil 20mg tablets  |    | 90       | 44633 | C | Revatio                                    |
| § Sildenafil 25mg tablets  |    | 4        | 98    | M |  |
| § Sildenafil 50mg tablets  |    | 4        | 106   | M |  |
| Silver nitrate 40% caustic pencils   | ■  | 1        | 126   | C | Avoca                                      |
| Silver nitrate 75% caustic applicators   |    | 100      | 5308  | C | Avoca                                      |
| Silver nitrate 95% caustic applicators   |    | 100      | 5679  | C | Avoca                                      |
| Silver nitrate 95% caustic pencils   | ■  | 1        | 333   | C | Avoca Wart Treatment Set                   |
| Simeticone 100mg capsules  |    | 8        | 115   | C | WindSetlers                                |
|  |    | 24       | 300   | C | WindSetlers                                |
| Simeticone 125mg capsules  |    | 20       | 271   | C | Wind-eze                                   |
| Simeticone 40mg/ml oral suspension sugar free  | ■  | 55 ml    | 320   | C | Infacol                                    |
|  | ■  | 85 ml    | 466   | C | Infacol                                    |
| Simeticone 42mg/5ml oral drops   |    | 100 ml   | 201   | C | Dentinox Infant colic drops                |
| Simple eye ointment  | ■  | 4 g      | 5328  | A |  |
| Simple linctus   |    | 200 ml   | 93    | A |  |

|  |     |     |       |       |   |                                |
|--|-----|-----|-------|-------|---|--------------------------------|
| Simple linctus paediatric  | 200 | ml  | 105   |       | A |                                |
| Simple linctus paediatric sugar free   | 200 | ml  | 129   |       | C | Care                           |
| Simple linctus sugar free  | 200 | ml  | 92    |       | A |                                |
| Simvastatin 10mg tablets   | 28  |     | 98    |       | M |                                |
| Simvastatin 20mg / Ezetimibe 10mg tablets  | 28  |     | 3342  |       | C | Inegy                          |
| Simvastatin 20mg tablets   | 28  |     | 102   |       | M |                                |
| Simvastatin 20mg/5ml oral suspension sugar free  | 150 | ml  | 15195 | ▽     | A |                                |
| Simvastatin 40mg / Ezetimibe 10mg tablets  | 28  |     | 3898  |       | C | Inegy                          |
| Simvastatin 40mg tablets   | 28  |     | 117   |       | M |                                |
| Simvastatin 40mg/5ml oral suspension sugar free  | 150 | ml  | 23212 | ▽     | A |                                |
| Simvastatin 80mg / Ezetimibe 10mg tablets  | 28  |     | 4121  |       | C | Inegy                          |
| Simvastatin 80mg tablets   | 28  |     | 162   |       | M |                                |
| Sirolimus 1mg tablets  | 30  |     | 8649  |       | C | Rapamune                       |
| Sirolimus 1mg/ml oral solution sugar free  | ■   | 60  | ml    | 16241 | C | Rapamune                       |
| Sirolimus 2mg tablets  | 30  |     | 17298 |       | C | Rapamune                       |
| Sirolimus 500microgram tablets   | 30  |     | 6900  |       | C | Rapamune                       |
| Sitagliptin 100mg tablets  | 28  |     | 3326  |       | C | Januvia                        |
| Sitagliptin 25mg tablets   | 28  |     | 3326  |       | C | Januvia                        |
| Sitagliptin 50mg tablets   | 28  |     | 3326  |       | C | Januvia                        |
| Soap spirit methylated   | 500 | ml  | 443   |       | A |                                |
| Sodium alginate 225mg/dose / Magnesium alginate 87.5mg/dose oral powder sachets sugar free | 30  |     | 600   |       | C | Gaviscon Infant                |
| Sodium alginate 500mg / Potassium bicarbonate 100mg chewable tablets sugar free            | 60  |     | 307   |       | C | Gaviscon Advance               |
| Sodium alginate 500mg/5ml / Potassium bicarbonate 100mg/5ml oral suspension sugar free     | 500 | ml  | 512   |       | C | Gaviscon Advance               |
| Sodium bicarbonate 420mg/5ml (1mmol/ml) oral solution sugar free                           | 100 | ml  | 3980  |       | C |                                |
|  | 500 | ml  | 19920 |       | C | Thamicarb                      |
| Sodium bicarbonate 500mg capsules  | 56  |     | 174   |       | M |                                |
| Sodium bicarbonate 600mg tablets   | 100 |     | 2679  |       | A |                                |
| Sodium bicarbonate 8.4% (1mmol/ml) solution for injection 100ml bottles                    | 10  |     | 10200 | △     | C | A A H Pharmaceuticals Ltd      |
| Sodium bicarbonate 8.4% (1mmol/ml) solution for injection 10ml ampoules                    | 10  |     | 13120 | △     | C | Martindale Pharmaceuticals Ltd |
| Sodium bicarbonate 8.4% (1mmol/ml) solution for injection 250ml bottles                    | 10  |     | 10200 | △     | C | A A H Pharmaceuticals Ltd      |
| Sodium bicarbonate powder  | ■   | 300 | g     | 223   | C | Thornton & Ross Ltd            |
| Sodium chloride 0.18% / Glucose 4% infusion 500ml polyethylene bottles                     | ■   | 1   |       | 240   | C | Polyfusor T                    |
| Sodium chloride 0.9% eye drops 0.5ml unit dose preservative free                           | 20  |     | 743   |       | C | Minims saline                  |
| Sodium chloride 0.9% infusion 1litre polyethylene bottles                                  | ■   | 1   |       | 396   | C | Polyfusor S                    |
| Sodium chloride 0.9% infusion 500ml polyethylene bottles                                   | ■   | 1   |       | 298   | C | Polyfusor S                    |
| Sodium chloride 0.9% nebuliser liquid 2.5ml unit dose ampoules                             | 20  |     | 811   |       | M |                                |
| Sodium chloride 0.9% solution for injection 10ml ampoules                                  | 10  |     | 324   |       | A |                                |
| Sodium chloride 0.9% solution for injection 20ml ampoules                                  | 20  |     | 1987  |       | C | Sodium chloride Mini-Plasco    |
| Sodium chloride 0.9% solution for injection 2ml ampoules                                   | 10  |     | 259   |       | A |                                |
| Sodium chloride 0.9% solution for injection 50ml vials                                     | 25  |     | 8501  |       | A |                                |
| Sodium chloride 0.9% solution for injection 5ml ampoules                                   | 10  |     | 269   |       | A |                                |
| Sodium chloride 1.46g/5ml (5mmol/ml) oral solution   | 100 | ml  | 1955  |       | C | SodiClor                       |
| Sodium chloride 292.5mg/5ml (1mmol/ml) oral solution                                       | 100 | ml  | 3020  |       | A |                                |
| Sodium chloride 30% solution for infusion 100ml vials                                      | 10  |     | 6170  |       | C | Torbay Pharmaceuticals         |
| Sodium chloride 30% solution for infusion 50ml vials                                       | ■   | 1   |       | 1536  | C | Martindale Pharmaceuticals Ltd |
|  | 10  |     | 8510  |       | C | Torbay Pharmaceuticals         |
| Sodium chloride 30% solution for injection 10ml ampoules                                   | 10  |     | 8285  |       | A |                                |
| Sodium chloride 600mg modified-release tablets   | 100 |     | 920   |       | C | Slow Sodium                    |
| Sodium citrate 441.17mg/5ml oral solution  | ■   | 30  | ml    | 470   | C | Sodium citrate 0.3M            |
| Sodium citrate 4g oral granules sachets  | 6   |     | 238   |       | C | Cystitis Relief                |

|  |                      |      |       |   |                              |
|--|----------------------|------|-------|---|------------------------------|
| Sodium citrate 4g oral powder sachets  | 6                    |      | 165   | C | Numark cystitis treatment    |
| Sodium citrate powder  | 500                  | g    | 785   | C | J M Loveridge Ltd            |
| Sodium clodronate 400mg capsules   | 120                  |      | 13983 | C |                              |
| Sodium clodronate 520mg tablets  | 60                   |      | 11444 | C | Loron                        |
| Sodium clodronate 800mg tablets  | 60                   |      | 14643 | C |                              |
| Sodium cromoglicate 100mg capsules   | 100                  |      | 4114  | C | Nalcrom                      |
| Sodium cromoglicate 100mg/5ml oral solution 5ml unit dose ampoules sugar free  | 96                   |      | 12186 | C | Brown & Burk UK Ltd          |
| Sodium cromoglicate 2% eye drops   | ■ 13.5               | ml   | 1011  | M |                              |
| Sodium cromoglicate 2% eye drops 0.3ml unit dose preservative free   | 30                   |      | 966   | C | Catacrom                     |
| Sodium cromoglicate 2% eye drops preservative free   | ■ 10                 | ml   | 380   | C | Librachrom                   |
| Sodium cromoglicate 5mg/dose inhaler CFC free  | ■ 112                | dose | 1833  | C | Intal                        |
| Sodium dihydrogen phosphate anhydrous 1.936g effervescent tablets  | 100<br>(5x<br>■ 20)  |      | 1939  | C | Phosphate Sandoz             |
| Sodium dihydrogen phosphate anhydrous 340mg / Sodium bicarbonate 250mg suppositories   | 10                   |      | 820   | C | Lecicarbon C                 |
| Sodium dihydrogen phosphate anhydrous 680mg / Sodium bicarbonate 500mg suppositories   | 10                   |      | 820   | C | Lecicarbon A                 |
| Sodium dihydrogen phosphate dihydrate 18.1% / Disodium hydrogen phosphate dodecahydrate 8% 133ml enema                       | ■ 1                  |      | 195   | C | Cleen Ready-to-use           |
| Sodium dihydrogen phosphate dihydrate 542mg/ml / Disodium hydrogen phosphate dodecahydrate 240mg/ml oral solution sugar free | 90<br>(2x<br>■ 45)   | ml   | 479   | C | Phospho-soda                 |
| Sodium ferredetate (iron 27.5mg/5ml) oral solution sugar free  | 500                  | ml   | 1495  | C | Sytron                       |
| Sodium fluoride 0.05% mouthwash sugar free   | 250                  | ml   | 151   | C | Endekay                      |
| Sodium fluoride 0.37% oral drops sugar free  | ■ 60                 | ml   | 238   | C | En-De-Kay Fluodrops          |
| Sodium fluoride 0.619% dental paste sugar free   | ■ 75                 | ml   | 347   | M |                              |
| Sodium fluoride 1.1% dental paste sugar free   | ■ 51                 | g    | 643   | M |                              |
| Sodium fluoride 1.1mg tablets  | 200                  |      | 238   | C | En-De-Kay Fluotabs 3-6 years |
| Sodium fluoride 2.2mg tablets  | 200                  |      | 238   | C | En-De-Kay Fluotabs 6+ years  |
| Sodium fluoride 50mg/ml dental suspension sugar free   | ■ 75                 | ml   | 1815  | C | Colgate Duraphat             |
| Sodium fusidate 2% ointment  | ■ 15                 | g    | 268   | C | Fucidin                      |
|  | ■ 30                 | g    | 455   | C | Fucidin                      |
| Sodium fusidate 250mg tablets  | 10                   |      | 602   | C | Fucidin                      |
|  | 100                  |      | 5499  | C | Fucidin                      |
| Sodium fusidate 500mg powder and solvent for solution for infusion vials   | ■ 1                  |      | 2090  | A |                              |
| Sodium lauryl ether sulfo-succinate 6% / Sodium lauryl ether sulfate 2.7% shampoo  | ■ 125                | ml   | 243   | C | Dentinox Cradle Cap          |
| Sodium oxybate 500mg/ml oral solution sugar free   | ■ 180                | ml   | 36000 | C | Xyrem                        |
| Sodium phenylbutyrate 500mg tablets  | ■ 250                |      | 49300 | C | Ammonaps                     |
| Sodium picosulfate 5mg/5ml oral solution sugar free  | 300                  | ml   | 808   | A |                              |
| Sodium polystyrene sulfonate powder sugar free   | 454                  | g    | 8111  | C | Resonium A                   |
| Sodium valproate 100mg modified-release granules sachets sugar free  | 30                   |      | 3000  | C | Epilim Chronosphere          |
| Sodium valproate 100mg tablets   | 30<br>(3x<br>■ 10)   |      | 168   | C | Epilim                       |
| Sodium valproate 150mg modified-release capsules   | ■ 100                |      | 700   | C | Episenta                     |
| Sodium valproate 1g modified-release granules sachets sugar free   | 30                   |      | 3000  | C | Epilim Chronosphere          |
|  | 100                  |      | 4100  | C | Episenta                     |
| Sodium valproate 200mg gastro-resistant tablets  | 30<br>(3x<br>■ 10)   |      | 264   | M |                              |
|  | 100<br>(10x<br>■ 10) |      | 879   | M |                              |
| Sodium valproate 200mg modified-release tablets  | 30<br>(3x<br>■ 10)   |      | 350   | C | Epilim Chrono                |
| Sodium valproate 200mg/5ml oral solution   | 300                  | ml   | 933   | C | Epilim Syrup                 |
| Sodium valproate 200mg/5ml oral solution sugar free  | 300                  | ml   | 896   | M |                              |

|   |                      |        |   |                       |
|---|----------------------|--------|---|-----------------------|
| Sodium valproate 250mg modified-release granules sachets sugar free                                       | 30                   | 3000   | C | Epilim Chronosphere   |
| Sodium valproate 300mg modified-release capsules  | ■ 100                | 1300   | C | Episenta              |
| Sodium valproate 300mg modified-release tablets   | 30<br>(3x<br>■ 10)   | 524    | C |                       |
| Sodium valproate 300mg/3ml solution for injection ampoules  | 5                    | 3500   | C | Episenta              |
| Sodium valproate 400mg powder and solvent for solution for injection vials                                | ■ 1                  | 1332   | C | Epilim Intravenous    |
| Sodium valproate 400mg/4ml solution for injection ampoules  | 5                    | 5790   | C | Wockhardt UK Ltd      |
| Sodium valproate 500mg gastro-resistant tablets   | 30<br>(3x<br>■ 10)   | 662    | M |                       |
|   | 100<br>(10x<br>■ 10) | 2207   | M |                       |
| Sodium valproate 500mg modified-release granules sachets sugar free                                       | 30                   | 3000   | C | Epilim Chronosphere   |
|   | 100                  | 2100   | C | Episenta              |
| Sodium valproate 500mg modified-release tablets   | 30<br>(3x<br>■ 10)   | 873    | C |                       |
| Sodium valproate 50mg modified-release granules sachets sugar free  | 30                   | 3000   | C | Epilim Chronosphere   |
| Sodium valproate 750mg modified-release granules sachets sugar free                                       | 30                   | 3000   | C | Epilim Chronosphere   |
| Solifenacin 10mg tablets  | 30                   | 162    | M |                       |
| Solifenacin 1mg/ml oral suspension sugar free   | 150 ml               | 2762   | C | Vesicare              |
| Solifenacin 5mg tablets   | 30                   | 151    | M |                       |
| Solifenacin 5mg/5ml oral solution sugar free  | 150 ml               | 2881   | A |                       |
| Solifenacin 6mg / Tamsulosin 400microgram modified-release tablets  | 30                   | 2762   | C | Vesomni               |
| Somatropin (epr) 10mg/1.5ml solution for injection cartridges   | ■ 1                  | 21270  | C | Norditropin SimpleXx  |
| Somatropin (epr) 10mg/1.5ml solution for injection pre-filled disposable devices                          | ■ 1                  | 23180  | C | Norditropin NordiFlex |
| Somatropin (epr) 15mg/1.5ml solution for injection cartridges   | ■ 1                  | 31905  | C | Norditropin SimpleXx  |
| Somatropin (epr) 15mg/1.5ml solution for injection pre-filled disposable devices                          | ■ 1                  | 34770  | C | Norditropin NordiFlex |
| Somatropin (epr) 5mg/1.5ml solution for injection cartridges  | ■ 1                  | 10635  | C | Norditropin SimpleXx  |
| Somatropin (epr) 5mg/1.5ml solution for injection pre-filled disposable devices                           | ■ 1                  | 11590  | C | Norditropin NordiFlex |
| Somatropin (rbe) 1.2mg powder and solvent for solution for injection pre-filled disposable devices        | 7                    | 14606  | C | Genotropin MiniQuick  |
| Somatropin (rbe) 1.4mg powder and solvent for solution for injection pre-filled disposable devices        | 7                    | 17039  | C | Genotropin MiniQuick  |
| Somatropin (rbe) 1.6mg powder and solvent for solution for injection pre-filled disposable devices        | 7                    | 19474  | C | Genotropin MiniQuick  |
| Somatropin (rbe) 1.8mg powder and solvent for solution for injection pre-filled disposable devices        | 7                    | 21908  | C | Genotropin MiniQuick  |
| Somatropin (rbe) 10mg powder and solvent for solution for injection vials                                 | ■ 1                  | 17070  | C | Zomacton              |
| Somatropin (rbe) 10mg/1.5ml solution for injection cartridges   | 5                    | 73749  | C | Omnitrope SurePal 10  |
| Somatropin (rbe) 10mg/2ml solution for injection cartridges   | ■ 1                  | 20300  | C | NutropinAq            |
|   | 3                    | 60900  | C | NutropinAq            |
| Somatropin (rbe) 12mg powder and solvent for solution for injection cartridges                            | ■ 1                  | 20865  | C | Genotropin            |
| Somatropin (rbe) 12mg powder and solvent for solution for injection pre-filled disposable devices         | ■ 1                  | 20865  | C | Genotropin GoQuick    |
| Somatropin (rbe) 15mg/1.5ml solution for injection cartridges   | 5                    | 110622 | C | Omnitrope SurePal 15  |
| Somatropin (rbe) 1mg powder and solvent for solution for injection pre-filled disposable devices          | 7                    | 12171  | C | Genotropin MiniQuick  |
| Somatropin (rbe) 200microgram powder and solvent for solution for injection pre-filled disposable devices | 7                    | 2435   | C | Genotropin MiniQuick  |
| Somatropin (rbe) 24mg powder and solvent for solution for injection cartridges                            | ■ 1                  | 43200  | C | Humatrope             |

|   |      |          |       |      |                           |              |
|---|------|----------|-------|------|---------------------------|--------------|
| Somatropin (rbe) 2mg powder and solvent for solution for injection pre-filled disposable devices          | 7    |          | 24342 | C    | Genotropin MiniQuick      |              |
| Somatropin (rbe) 400microgram powder and solvent for solution for injection pre-filled disposable devices | 7    |          | 4868  | C    | Genotropin MiniQuick      |              |
| Somatropin (rbe) 4mg powder and solvent for solution for injection vials                                  | ■    | 1        | 6828  | C    | Zomacton                  |              |
| Somatropin (rbe) 5.3mg powder and solvent for solution for injection cartridges                           | ■    | 1        | 9215  | C    | Genotropin                |              |
| Somatropin (rbe) 5.3mg powder and solvent for solution for injection pre-filled disposable devices        | ■    | 1        | 9215  | C    | Genotropin GoQuick        |              |
| Somatropin (rbe) 5mg/1.5ml solution for injection cartridges  | 5    |          | 36874 | C    | Omnitrope SurePal 5       |              |
| Somatropin (rbe) 600microgram powder and solvent for solution for injection pre-filled disposable devices | 7    |          | 7303  | C    | Genotropin MiniQuick      |              |
| Somatropin (rbe) 6mg powder and solvent for solution for injection cartridges                             | ■    | 1        | 10800 | C    | Humatrope                 |              |
| Somatropin (rbe) 800microgram powder and solvent for solution for injection pre-filled disposable devices | 7    |          | 9737  | C    | Genotropin MiniQuick      |              |
| Somatropin (rmc) 12mg/1.5ml solution for injection cartridges   | ■    | 1        | 27816 | C    | Saizen                    |              |
| Somatropin (rmc) 20mg/2.5ml solution for injection cartridges   | ■    | 1        | 46360 | C    | Saizen                    |              |
| Somatropin (rmc) 6mg/1.03ml solution for injection cartridges   | ■    | 1        | 13908 | C    | Saizen                    |              |
| Somatropin (rmc) 8mg powder and solvent for solution for injection vials                                  | ■    | 1        | 18544 | C    | Saizen                    |              |
| Sotalol 160mg tablets   | 28   |          | 467   | A    |                           |              |
| Sotalol 200mg tablets   | 28   |          | 240   | C    | Beta-Cardone              |              |
| Sotalol 40mg tablets  | 28   |          | 124   | M    |                           |              |
| Sotalol 80mg tablets  | 28   |          | 150   | M    |                           |              |
| Soya oil 82.95% / Lauromacrogols 15% bath oil   | ■    | 500      | ml    | 666  | C                         | Balneum Plus |
| Soya oil 84.75% bath oil  | ■    | 500      | ml    | 538  | C                         | Balneum      |
|   |      | 1000     | ml    | 1039 | C                         | Balneum      |
|   |      | (2x 500) |       |      |                           |              |
| Spirolactone 100mg tablets  | 28   |          | 222   | M    |                           |              |
| Spirolactone 12.5mg tablets   | 28   |          | 1482  | △    | A                         |              |
| Spirolactone 25mg tablets   | 28   |          | 148   | M    |                           |              |
| Spirolactone 50mg / Furosemide 20mg capsules  | 28   |          | 797   | C    | Lasilactone               |              |
| Spirolactone 50mg tablets   | 28   |          | 309   | M    |                           |              |
| Squill oxymel   | 2000 | ml       | 3270  | C    | J M Loveridge Ltd         |              |
| Sterculia 62% / Frangula 8% granules 7g sachets gluten free   | 60   |          | 712   | C    | Normacol Plus             |              |
| Sterculia 62% / Frangula 8% granules gluten free  | 500  | g        | 845   | C    | Normacol Plus             |              |
| Sterculia 62% granules 7g sachets gluten free   | 60   |          | 667   | C    | Normacol                  |              |
| Sterculia 62% granules gluten free  | 500  | g        | 792   | C    | Normacol                  |              |
| Stiripentol 250mg capsules  | 60   |          | 28400 | C    | Diacomit                  |              |
| Stiripentol 250mg oral powder sachets   | 60   |          | 28400 | C    | Diacomit                  |              |
| Stiripentol 500mg capsules  | 60   |          | 49300 | C    | Diacomit                  |              |
| Stiripentol 500mg oral powder sachets   | 60   |          | 49300 | C    | Diacomit                  |              |
| Strontium ranelate 2g granules sachets sugar free   | 28   |          | 14991 | C    | Aristo Pharma Ltd         |              |
| Sucralfate 1g/5ml oral suspension sugar free  | 200  | ml       | 9608  | C    | Sigma Pharmaceuticals Plc |              |
| Sucroferric oxyhydroxide (iron 500mg) chewable tablets  | 90   |          | 17900 | C    | Velphoro                  |              |
| Sulfadiazine 500mg tablets  | 56   |          | 35419 | △    | A                         |              |
| Sulfadiazine silver 1% cream  | ■    | 50       | g     | 385  | C                         | Flamazine    |
|   | ■    | 250      | g     | 1032 | C                         | Flamazine    |
|   | ■    | 500      | g     | 1827 | C                         | Flamazine    |
| Sulfasalazine 250mg/5ml oral suspension sugar free  | 500  | ml       | 6356  | A    |                           |              |
| Sulfasalazine 500mg gastro-resistant tablets  | 112  |          | 1668  | M    |                           |              |
| Sulfasalazine 500mg suppositories   | 10   |          | 330   | C    | Salazopyrin               |              |
| Sulfasalazine 500mg tablets   | 112  |          | 1453  | M    |                           |              |
| Sulfur sublimed powder  | 500  | g        | 768   | C    | J M Loveridge Ltd         |              |
| Sulindac 100mg tablets  | 56   |          | 2979  | A    |                           |              |
| Sulindac 200mg tablets  | 56   |          | 3830  | A    |                           |              |
| Sulpiride 200mg tablets   | 30   |          | 505   | M    |                           |              |
| Sulpiride 200mg/5ml oral solution sugar free  | 150  | ml       | 5089  | A    |                           |              |
| Sulpiride 400mg tablets   | 30   |          | 2250  | A    |                           |              |
| Sumatriptan 100mg tablets   | 6    |          | 155   | M    |                           |              |

|   |               |    |       |   |                     |
|---|---------------|----|-------|---|---------------------|
| Sumatriptan 10mg/0.1ml nasal spray unit dose  | 2<br>(2x 1)   |    | 1416  | C | Imigran             |
| Sumatriptan 20mg/0.1ml nasal spray unit dose  | 6<br>(6x 1)   |    | 4247  | C | Imigran             |
| Sumatriptan 3mg/0.5ml solution for injection pre-filled disposable devices              | 2             |    | 4438  | ▽ | A                   |
| Sumatriptan 50mg tablets  | 6             |    | 138   | M |                     |
| Sumatriptan 6mg/0.5ml solution for injection pre-filled disposable devices              | 2             |    | 4500  | A |                     |
| Sumatriptan 6mg/0.5ml solution for injection pre-filled syringes with device            | 2             |    | 5096  | C | Imigran Subject     |
| Sumatriptan 6mg/0.5ml solution for injection syringe refill                             | 2             |    | 4849  | C | Imigran Subject     |
| Surgical spirit   | 200           | ml | 117   | C | Thornton & Ross Ltd |
| Tacalcitol 4micrograms/g lotion   | 30            | ml | 1273  | C | Curatoderm          |
| Tacalcitol 4micrograms/g ointment   | 30            | g  | 1340  | C | Curatoderm          |
|   | 100           | g  | 3086  | C | Curatoderm          |
| Tacrolimus 0.03% ointment   | 30            | g  | 2333  | C | Protopic            |
|   | 60            | g  | 4255  | C | Protopic            |
| Tacrolimus 0.1% ointment  | 30            | g  | 1965  | M |                     |
|   | 60            | g  | 3930  | M |                     |
| Tacrolimus 1mg capsules   | 50            |    | 8028  | C | Prograf             |
| Tacrolimus 1mg granules sachets sugar free  | 50            |    | 35665 | C | Modigraf            |
| Tacrolimus 1mg modified-release capsules  | 50            |    | 7159  | C | Advagraf            |
|   | 100           |    | 14317 | C | Advagraf            |
| Tacrolimus 1mg modified-release tablets   | 30            |    | 5910  | C | Envarsus            |
| Tacrolimus 200microgram granules sachets sugar free                                     | 50            |    | 7130  | C | Modigraf            |
| Tacrolimus 2mg capsules   | 50            |    | 11100 | C | Adoport             |
| Tacrolimus 3mg modified-release capsules  | 50            |    | 21476 | C | Advagraf            |
| Tacrolimus 4mg modified-release tablets   | 30            |    | 23640 | C | Envarsus            |
| Tacrolimus 500microgram capsules  | 50            |    | 6188  | C | Prograf             |
| Tacrolimus 500microgram modified-release capsules                                       | 50            |    | 3579  | C | Advagraf            |
| Tacrolimus 5mg capsules   | 50            |    | 29658 | C | Prograf             |
| Tacrolimus 5mg modified-release capsules  | 50            |    | 26692 | C | Advagraf            |
| Tacrolimus 750microgram capsules  | 50            |    | 5175  | C | Adoport             |
| Tacrolimus 750microgram modified-release tablets  | 30            |    | 4433  | C | Envarsus            |
| Tadalafil 10mg tablets  | 4             |    | 126   | M |                     |
| Tadalafil 2.5mg tablets   | 28            |    | 1928  | ▽ | A                   |
| Tadalafil 20mg tablets  | 4             |    | 153   | M |                     |
| Tadalafil 5mg tablets   | 28            |    | 389   | M |                     |
| Tafluprost 15micrograms/ml / Timolol 5mg/ml eye drops 0.3ml unit dose preservative free | 30<br>(3x 10) |    | 1450  | C | Taptiqom            |
| Tafluprost 15micrograms/ml eye drops  | 3             | ml | 1139  | C | Saflutan            |
| Tafluprost 15micrograms/ml eye drops 0.3ml unit dose preservative free                  | 30<br>(3x 10) |    | 1220  | C | Saflutan            |
| Tamoxifen 10mg tablets  | 30            |    | 3801  | A |                     |
| Tamoxifen 10mg/5ml oral solution sugar free   | 150           | ml | 3914  | A |                     |
| Tamoxifen 20mg tablets  | 30            |    | 901   | M |                     |
| Tamoxifen 40mg tablets  | 30            |    | 7672  | A |                     |
| Tamsulosin 400microgram / Dutasteride 500microgram capsules                             | 30            |    | 347   | M |                     |
| Tamsulosin 400microgram modified-release capsules                                       | 30            |    | 147   | M |                     |
| Tamsulosin 400microgram modified-release tablets  | 30            |    | 1047  | C | Flomaxtra XL        |
| Tapentadol 100mg modified-release tablets   | 56            |    | 4982  | C |                     |
| Tapentadol 150mg modified-release tablets   | 56            |    | 7473  | C |                     |
| Tapentadol 200mg modified-release tablets   | 56            |    | 9964  | C |                     |
| Tapentadol 20mg/ml oral solution sugar free   | 100           | ml | 1780  | C | Palexia             |
| Tapentadol 250mg modified-release tablets   | 56            |    | 12455 | C |                     |
| Tapentadol 50mg modified-release tablets  | 28            |    | 1246  | C | Palexia SR          |
|   | 56            |    | 2491  | C |                     |
| Tapentadol 50mg tablets   | 28            |    | 1246  | C | Palexia             |
| Tapentadol 75mg tablets   | 28            |    | 1868  | C | Palexia             |
|   | 56            |    | 3737  | C | Palexia             |
| Tartaric acid powder  | 500           | g  | 1157  | C | J M Loveridge Ltd   |
| Tazarotene 0.05% gel  | 30            | g  | 1409  | C | Zorac               |
| Tazarotene 0.1% gel   | 30            | g  | 1480  | C | Zorac               |
| Teicoplanin 200mg powder and solvent for solution for injection vials                   | 1             |    | 393   | C | Targocid            |
| Teicoplanin 400mg powder and solvent for solution for injection vials                   | 1             |    | 732   | C | Targocid            |
| Telmisartan 20mg tablets  | 28            |    | 190   | M |                     |

|   |     |      |       |      |                              |                     |
|---|-----|------|-------|------|------------------------------|---------------------|
| Telmisartan 40mg / Hydrochlorothiazide 12.5mg tablets                                 | 28  |      | 1361  | C    |                              |                     |
| Telmisartan 40mg tablets  | 28  |      | 229   | M    |                              |                     |
| Telmisartan 80mg / Hydrochlorothiazide 12.5mg tablets                                 | 28  |      | 1699  | A    |                              |                     |
| Telmisartan 80mg / Hydrochlorothiazide 25mg tablets                                   | 28  |      | 2122  | △    | A                            |                     |
| Telmisartan 80mg tablets  | 28  |      | 291   | M    |                              |                     |
| Temazepam 10mg tablets  | 28  |      | 150   | M    |                              |                     |
| Temazepam 10mg/5ml oral solution sugar free   | 300 | ml   | 18328 | A    |                              |                     |
| Temazepam 20mg tablets  | 28  |      | 149   | M    |                              |                     |
| Temocillin 1g powder for solution for injection vials                                 | ■   | 1    | 2545  | C    | Negaban                      |                     |
| Tenofovir 123mg tablets   | 30  |      | 10260 | C    | Viread                       |                     |
| Tenofovir 163mg tablets   | 30  |      | 13598 | C    | Viread                       |                     |
| Tenofovir 204mg tablets   | 30  |      | 17019 | C    | Viread                       |                     |
| Tenofovir 245mg tablets   | 30  |      | 2839  | A    |                              |                     |
| Tenoxicam 20mg tablets  | 30  |      | 1342  | C    | Mobiflex                     |                     |
| Terazosin 10mg tablets  | 28  |      | 809   | A    |                              |                     |
| Terazosin 2mg tablets   | 28  |      | 282   | ▽    | A                            |                     |
| Terazosin 5mg tablets   | 28  |      | 535   | △    | A                            |                     |
| Terbinafine 1% cream  | ■   | 15   | g     | 175  | M                            |                     |
|   | ■   | 30   | g     | 350  | M                            |                     |
| Terbinafine 1% gel  | ■   | 15   | g     | 358  | C                            | Lamisil AT          |
| Terbinafine 1% solution   | ■   | 4    | g     | 570  | C                            | Lamisil Once        |
| Terbinafine 1% spray  | ■   | 15   | ml    | 328  | C                            | Lamisil AT          |
| Terbinafine 250mg tablets   | 14  |      | 151   | M    |                              |                     |
| Terbutaline 2.5mg/5ml solution for injection ampoules                                 | 10  |      | 2009  | C    | Bricanyl                     |                     |
| Terbutaline 500micrograms/1ml solution for injection ampoules                         | 5   |      | 648   | C    | Bricanyl                     |                     |
| Terbutaline 500micrograms/dose dry powder inhaler                                     | ■   | 120  | dose  | 830  | C                            | Bricanyl Turbohaler |
| Terbutaline 5mg tablets   | 100 |      | 1473  | C    | Bricanyl                     |                     |
| Terbutaline 5mg/2ml nebuliser liquid unit dose vials                                  | 20  |      | 597   | △    | A                            |                     |
| Teriparatide 600micrograms/2.4ml solution for injection pre-filled disposable devices | ■   | 1    | 27188 | C    | Forsteo                      |                     |
| Testosterone 16.2mg/g gel (20.25mg per actuation)                                     | ■   | 88   | g     | 3111 | C                            | Testogel            |
| Testosterone 2% gel (10mg per actuation)  | ■   | 60   | g     | 2863 | C                            | Tostran             |
| Testosterone 20mg/g transdermal gel (23mg per actuation)                              | ■   | 85.5 | g     | 2522 | C                            | Testavan            |
| Testosterone 50mg/5g gel unit dose sachets  | 30  |      | 3111  | C    | Testogel                     |                     |
| Testosterone 50mg/5g gel unit dose tube   | 30  |      | 3050  | C    | Testim                       |                     |
| Testosterone enantate 250mg/1ml solution for injection ampoules                       | 3   |      | 8773  | C    | Alliance Pharmaceuticals Ltd |                     |
| Testosterone undecanoate 1g/4ml solution for injection vials                          | ■   | 1    | 8711  | C    | Nebido                       |                     |
| Tetanus immunoglobulin human 250unit solution for injection vials                     | ■   | 1    | 25000 | C    | Bio Products Laboratory Ltd  |                     |
| Tetrabenazine 25mg tablets  | 112 |      | 10769 | A    |                              |                     |
| Tetracaine 0.5% eye drops 0.5ml unit dose preservative free                           | 20  |      | 1057  | C    | Minims                       |                     |
| Tetracaine 1% eye drops 0.5ml unit dose preservative free                             | 20  |      | 1057  | C    | Minims                       |                     |
| Tetracaine 4% gel   | ■   | 1.5  | g     | 108  | C                            | Ametop              |
| Tetracosactide 1mg/1ml suspension for injection ampoules                              | ■   | 1    | 34628 | C    | Synacthen Depot              |                     |
| Tetracosactide 250micrograms/1ml solution for injection ampoules                      | ■   | 1    | 3800  | C    | Synacthen                    |                     |
| Tetracycline 250mg tablets  | 28  |      | 562   | M    |                              |                     |
| Theophylline 200mg modified-release tablets   | 56  |      | 296   | C    | Uniphyllin Continus          |                     |
| Theophylline 300mg modified-release tablets   | 56  |      | 477   | C    | Uniphyllin Continus          |                     |
| Theophylline 400mg modified-release tablets   | 56  |      | 565   | C    | Uniphyllin Continus          |                     |
| Thiamine 100mg tablets  | 100 |      | 611   | M    |                              |                     |
| Thiamine 50mg tablets   | 100 |      | 426   | M    |                              |                     |
| Tiagabine 10mg tablets  | 100 |      | 10409 | C    | Gabitril                     |                     |
| Tiagabine 15mg tablets  | 100 |      | 15613 | C    | Gabitril                     |                     |
| Tiagabine 5mg tablets   | 100 |      | 5204  | C    | Gabitril                     |                     |
| Tiaprofenic acid 300mg tablets  | 56  |      | 1495  | C    | Surgam 300                   |                     |
| Tibolone 2.5mg tablets  | 28  |      | 668   | M    |                              |                     |
| Ticagrelor 60mg tablets   | 56  |      | 5460  | C    | Brilique                     |                     |
| Ticagrelor 90mg orodispersible tablets sugar free                                     | 56  |      | 5460  | C    | Brilique                     |                     |
| Ticagrelor 90mg tablets   | 56  |      | 5460  | C    | Brilique                     |                     |
| Timolol 0.25% eye drops   | ■   | 5    | ml    | 140  | M                            |                     |
| Timolol 0.25% eye gel   | ■   | 2.5  | ml    | 312  | C                            | Timoptol-LA         |
| Timolol 0.5% eye drops  | ■   | 5    | ml    | 152  | M                            |                     |
| Timolol 0.5% eye gel  | ■   | 2.5  | ml    | 312  | C                            | Timoptol-LA         |
| Timolol 10mg / Bendroflumethiazide 2.5mg tablets                                      | 30  |      | 6308  | A    |                              |                     |
| Timolol 10mg tablets  | 30  |      | 3989  | A    |                              |                     |



|  |                    |      |        |     |                          |
|--|--------------------|------|--------|-----|--------------------------|
| Timolol 1mg/g gel eye drops 0.4g unit dose preservative free   | 30<br>(3x<br>■ 10) |      | 749    | C   | Tiopex                   |
| Timolol 2.5mg/ml eye drops preservative free   | ■ 5                | ml   | 845    | C   | Eysano                   |
| Timolol 5mg/ml eye drops preservative free   | ■ 5                | ml   | 965    | C   | Eysano                   |
| Timothy grass pollen allergen extract 75,000 SQ-T oral lyophilisates sugar free  | 30                 |      | 8012   | C   | Grazax                   |
| Tinzaparin sodium 10,000units/0.5ml solution for injection pre-filled syringes   | 10                 |      | 5950   | C   | Innohep                  |
| Tinzaparin sodium 12,000units/0.6ml solution for injection pre-filled syringes   | 10                 |      | 7140   | C   | Innohep                  |
| Tinzaparin sodium 14,000units/0.7ml solution for injection pre-filled syringes   | 10                 |      | 8330   | C   | Innohep                  |
| Tinzaparin sodium 16,000units/0.8ml solution for injection pre-filled syringes   | 10                 |      | 9520   | C   | Innohep                  |
| Tinzaparin sodium 18,000units/0.9ml solution for injection pre-filled syringes   | 10                 |      | 10708  | C   | Innohep                  |
| Tinzaparin sodium 2,500units/0.25ml solution for injection pre-filled syringes   | 10                 |      | 1980   | C   | LEO Pharma               |
| Tinzaparin sodium 20,000units/2ml solution for injection vials   | 10                 |      | 10566  | C   | Innohep                  |
| Tinzaparin sodium 3,500units/0.35ml solution for injection pre-filled syringes   | 10                 |      | 2771   | C   | LEO Pharma               |
| Tinzaparin sodium 4,500units/0.45ml solution for injection pre-filled syringes   | 10                 |      | 3563   | C   | LEO Pharma               |
| Tinzaparin sodium 40,000units/2ml solution for injection vials   | ■ 1                |      | 3420   | C   | Innohep                  |
| Tinzaparin sodium 8,000units/0.4ml solution for injection pre-filled syringes  | 10                 |      | 4760   | C   | Innohep                  |
| Tioconazole 283mg/ml medicated nail lacquer  | ■ 12               | ml   | 2874   | A   |                          |
| Tioguanine 40mg tablets  | 25                 |      | 7635   | C   | Aspen Pharma Trading Ltd |
| Tiotropium bromide 10microgram inhalation powder capsules with device  | ■ 30               |      | 2580   | C   | Braltus                  |
| Tiotropium bromide 18microgram inhalation powder capsules  | 30<br>(3x<br>■ 10) |      | 3350   | C   | Spiriva                  |
| Tiotropium bromide 18microgram inhalation powder capsules with device  | ■ 30               |      | 3487   | C   | Spiriva                  |
| Tiotropium bromide 2.5micrograms/dose / Olodaterol 2.5micrograms/dose inhalation solution cartridge CFC free                 | ■ 60               | dose | 3250   | C   | Spiolto Respimat         |
| Tiotropium bromide 2.5micrograms/dose / Olodaterol 2.5micrograms/dose solution for inhalation cartridge with device CFC free | ■ 60               | dose | 3250   | C   | Spiolto Respimat         |
| Tiotropium bromide 2.5micrograms/dose inhalation solution cartridge CFC free   | ■ 60               | dose | 2300   | C   | Spiriva Respimat         |
| Tiotropium bromide 2.5micrograms/dose solution for inhalation cartridge with device CFC free                                 | ■ 60               | dose | 2300   | C   | Spiriva Respimat         |
| Titanium ointment  | ■ 30               | g    | 224    | C   | Metanium Nappy Rash      |
| Tizanidine 2mg tablets   | 120                |      | 1029   | M   |                          |
| Tizanidine 4mg tablets   | 120                |      | 4005   | A   |                          |
| Tobramycin 240mg/6ml solution for injection vials  | ■ 1                |      | 1920   | C   | Pfizer Ltd               |
| Tobramycin 28mg inhalation powder capsules with device   | ■ 224              |      | 179000 | C   | Tobi Podhaler            |
| Tobramycin 300mg/4ml nebuliser liquid ampoules   | 56                 |      | 118700 | C   | Bramitob                 |
| Tobramycin 300mg/5ml nebuliser liquid ampoules   | 56<br>(8x<br>■ 7)  |      | 93920  | △ A |                          |
| Tobramycin 80mg/2ml solution for injection vials   | ■ 1                |      | 537    | C   | Flynn Pharma Ltd         |
| Tocilizumab 162mg/0.9ml solution for injection pre-filled disposable devices   | 4                  |      | 2080   | C   | Pfizer Ltd               |
| Tocilizumab 162mg/0.9ml solution for injection pre-filled syringes   | 4                  |      | 91312  | C   | RoActemra                |
| Tocofersolan 50mg/ml oral solution sugar free  | 20                 | ml   | 5455   | C   | Vedrop                   |
| Tolbutamide 500mg tablets  | 28                 |      | 633    | M   |                          |
| Tolcapone 100mg tablets  | 100                |      | 9520   | C   | Tasmar                   |
| Tolfenamic acid 200mg tablets  | 10                 |      | 2463   | A   |                          |
| Tolnaftate 1% liquid spray   | ■ 150              | ml   | 355    | C   | Scholl Athlete's Foot    |
| Tolterodine 1mg tablets  | 56                 |      | 451    | M   |                          |
| Tolterodine 2mg modified-release capsules  | 28                 |      | 1160   | C   | Neditol XL               |
| Tolterodine 2mg tablets  | 56                 |      | 440    | M   |                          |
| Tolterodine 4mg modified-release capsules  | 28                 |      | 2578   | C   |                          |

|   |     |     |       |        |                                |  |
|---|-----|-----|-------|--------|--------------------------------|--|
| Tolvaptan 7.5mg tablets   | 10  |     | 44808 | C      | Samsca                         |  |
| Topiramate 100mg tablets  | 60  |     | 470   | M      |                                |  |
| Topiramate 100mg/5ml oral suspension sugar free                       | ■   | 280 | ml    | 26370  | C Rosemont Pharmaceuticals Ltd |  |
| Topiramate 15mg capsules  | 60  |     | 1479  | C      | Topamax                        |  |
| Topiramate 200mg tablets  | 60  |     | 3559  | ▽      | A                              |  |
| Topiramate 25mg capsules  | 60  |     | 2218  | C      | Topamax                        |  |
| Topiramate 25mg tablets   | 60  |     | 216   | M      |                                |  |
| Topiramate 50mg capsules  | 60  |     | 3645  | C      | Topamax                        |  |
| Topiramate 50mg tablets   | 60  |     | 319   | M      |                                |  |
| Topiramate 50mg/5ml oral suspension sugar free                        | ■   | 150 | ml    | 18600  | C Rosemont Pharmaceuticals Ltd |  |
| Torasemide 10mg tablets   | 28  |     | 814   | C      | Torem                          |  |
| Torasemide 2.5mg tablets  | 28  |     | 378   | C      | Torem 2.5                      |  |
| Torasemide 5mg tablets  | 28  |     | 553   | C      | Torem                          |  |
| Toremifene 60mg tablets   | 30  |     | 2908  | C      | Fareston                       |  |
| Tramadol 100mg modified-release capsules                              | 60  |     | 1447  | C      |                                |  |
| Tramadol 100mg/2ml solution for injection ampoules                    | 5   |     | 400   | C      | Zydol                          |  |
| Tramadol 100mg/ml oral drops  | ■   | 10  | ml    | 2500   | C Advanz Pharma                |  |
| Tramadol 150mg modified-release capsules                              | 60  |     | 2171  | C      |                                |  |
| Tramadol 200mg modified-release capsules                              | 60  |     | 2893  | C      |                                |  |
| Tramadol 37.5mg / Paracetamol 325mg effervescent tablets sugar free   | 60  |     | 968   | C      | Tramacet                       |  |
| Tramadol 37.5mg / Paracetamol 325mg tablets                           | 60  |     | 167   | M      |                                |  |
| Tramadol 400mg modified-release tablets                               | 28  |     | 2851  | C      | Zamadol 24hr                   |  |
| Tramadol 50mg capsules  | 30  |     | 103   | M      |                                |  |
|   | 100 |     | 343   | M      |                                |  |
| Tramadol 50mg modified-release capsules                               | 60  |     | 724   | C      | Zamadol SR                     |  |
| Tramadol 50mg modified-release tablets                                | 60  |     | 460   | C      | Zydol SR                       |  |
| Tramadol 50mg orodispersible tablets sugar free                       | 60  |     | 712   | C      | Zamadol Melt                   |  |
| Tramadol 50mg soluble tablets sugar free                              | 100 |     | 1333  | C      | Zydol                          |  |
| Tramadol 75mg / Dexketoprofen 25mg tablets                            | 20  |     | 552   | C      | Skudexa                        |  |
| Trandolapril 1mg capsules   | 28  |     | 2020  | A      |                                |  |
| Trandolapril 2mg capsules   | 28  |     | 253   | M      |                                |  |
| Trandolapril 4mg capsules   | 28  |     | 1144  | ▽      | A                              |  |
| Trandolapril 500microgram capsules                                    | 14  |     | 168   | A      |                                |  |
| Tranexamic acid 500mg tablets   | 60  |     | 840   | M      |                                |  |
| Tranexamic acid 500mg/5ml solution for injection ampoules             | 5   |     | 750   | C      | Bowmed Ibisqus Ltd             |  |
|   | 10  |     | 1547  | C      |                                |  |
| Tranlycypromine 10mg tablets  | 28  |     | 46981 | △      | A                              |  |
| Travoprost 40micrograms/ml / Timolol 5mg/ml eye drops                 | ■   | 2.5 | ml    | 1028   | M                              |  |
| Travoprost 40micrograms/ml eye drops                                  | ■   | 2.5 | ml    | 222    | M                              |  |
| Trazodone 100mg capsules  | 56  |     | 344   | M      |                                |  |
| Trazodone 100mg tablets   | 56  |     | 2675  | C      | Accord Healthcare Ltd          |  |
| Trazodone 100mg/5ml oral solution sugar free                          | 120 |     | ml    | 23250  | A                              |  |
| Trazodone 150mg tablets   | 28  |     | 240   | M      |                                |  |
| Trazodone 50mg capsules   | 84  |     | 277   | M      |                                |  |
| Trazodone 50mg tablets  | 84  |     | 2140  | C      | Accord Healthcare Ltd          |  |
| Trazodone 50mg/5ml oral solution sugar free                           | 120 |     | ml    | 1773   | M                              |  |
| Tretinoin 0.025% / Erythromycin 4% solution                           | ■   | 25  | ml    | 705    | C                              | Aknemycin Plus                         |
| Tretinoin 10mg capsules   | 100 |     | 32500 | C      | Neon Healthcare Ltd            |  |
| Triamcinolone 55micrograms/dose nasal spray                           | ■   | 120 | dose  | 739    | C                              | Nasacort                               |
| Triamcinolone acetonide 40mg/1ml suspension for injection vials       | 5   |     | 745   | C      | Kenalog                        |  |
| Triamcinolone acetonide 50mg/5ml suspension for injection vials       | ■   | 1   |       | 363    | C                              | Adcortyl Intra-articular / Intradermal |
| Triamcinolone hexacetonide 20mg/1ml suspension for injection ampoules | 10  |     | 12000 | C      | Intrapharm Laboratories Ltd    |  |
| Triamterene 50mg / Chlortalidone 50mg tablets                         | 28  |     | 11700 | C      | DHP Healthcare Ltd             |  |
| Triamterene 50mg / Furosemide 40mg tablets                            | 56  |     | 434   | C      | Frusene                        |  |
| Triamterene 50mg capsules   | 30  |     | 4190  | C      | Advanz Pharma                  |  |
| Trientine dihydrochloride 300mg capsules                              | ■   | 100 |       | 309000 | C                              | Univar Solutions B.V.                  |
| Trifluoperazine 1mg tablets   | 112 |     | 5912  | C      | Advanz Pharma                  |  |
| Trifluoperazine 1mg/5ml oral solution sugar free                      | 200 |     | ml    | 13688  | C                              | Advanz Pharma                          |
| Trifluoperazine 5mg tablets   | 112 |     | 13489 | C      | Advanz Pharma                  |  |
| Trifluoperazine 5mg/5ml oral solution sugar free                      | 150 |     | ml    | 3000   | A                              |  |
| Trihexyphenidyl 2mg tablets   | 84  |     | 551   | M      |                                |  |
| Trihexyphenidyl 5mg tablets   | 84  |     | 2062  | A      |                                |  |
| Trihexyphenidyl 5mg/5ml oral solution                                 | 200 |     | ml    | 5341   | A                              |  |
| Trimethoprim 100mg tablets  | 28  |     | 386   | M      |                                |  |
| Trimethoprim 200mg tablets  | 6   |     | 110   | M      |                                |  |
|   | 14  |     | 256   | M      |                                |  |
| Trimethoprim 50mg/5ml oral suspension sugar free                      | 100 |     | ml    | 668    | M                              |  |

|  |    |     |        |       |                                      |                                 |
|--|----|-----|--------|-------|--------------------------------------|---------------------------------|
| Trimipramine 10mg tablets  | 28 |     | 17918  | A     |                                      |                                 |
| Trimipramine 25mg tablets  | 28 |     | 20050  | A     |                                      |                                 |
| Trimipramine 50mg capsules   | 28 |     | 21750  | A     |                                      |                                 |
| Triptorelin 11.25mg powder and solvent for suspension for injection vials                      | ■  | 1   | 20700  | C     | Decapeptyl SR                        |                                 |
| Triptorelin acetate 3.75mg powder and solvent for suspension for injection pre-filled syringes | ■  | 1   | 8169   | C     | Gonapeptyl Depot                     |                                 |
| Triptorelin acetate 3mg powder and solvent for suspension for injection vials                  | ■  | 1   | 6900   | C     | Decapeptyl SR                        |                                 |
| Triptorelin embonate 22.5mg powder and solvent for suspension for injection vials              | ■  | 1   | 41400  | C     | Decapeptyl SR                        |                                 |
| Tropicamide 0.5% eye drops 0.5ml unit dose preservative free                                   |    | 20  | 1118   | C     | Minims                               |                                 |
| Tropicamide 1% eye drops   | ■  | 5   | ml     | 160   | C                                    | Mydriacyl                       |
| Tropicamide 1% eye drops 0.5ml unit dose preservative free                                     |    | 20  | 1131   | C     | Minims                               |                                 |
| Trospium chloride 20mg tablets   |    | 60  | 423    | M     |                                      |                                 |
| Trospium chloride 60mg modified-release capsules   |    | 28  | 2305   | C     | Regurin XL                           |                                 |
| Typhoid polysaccharide 25micrograms/0.5ml vaccine solution for injection pre-filled syringes   | ■  | 1   | 1116   | C     | Typhim Vi                            |                                 |
|  |    | 10  | 11160  | C     | Typhim Vi                            |                                 |
| Typhoid vaccine (live, oral, strain ty21a) gastro-resistant capsules                           | ■  | 3   | 1477   | C     | Vivotif                              |                                 |
| Ulipristal 30mg tablets  | ■  | 1   | 1405   | C     | EllaOne                              |                                 |
| Umeclidinium bromide 65micrograms/dose / Vilanterol 22micrograms/dose dry powder inhaler       | ■  | 30  | dose   | 3250  | C                                    | Anoro Ellipta                   |
| Umeclidinium bromide 65micrograms/dose dry powder inhaler                                      | ■  | 30  | dose   | 2750  | C                                    | Incruse Ellipta                 |
| Urea 10% lotion  | ■  | 250 | ml     | 793   | C                                    | Eucerin Intensive               |
| Urea 5% / Lauromacrogols 3% cream  | ■  | 50  | g      | 281   | C                                    | E45 Itch Relief                 |
|  | ■  | 100 | g      | 428   | C                                    | E45 Itch Relief                 |
|  | ■  | 500 | g      | 1499  | C                                    |                                 |
| Urea 5% cream  | ■  | 50  | ml     | 636   | C                                    | Eucerin Dry Skin Relief         |
|  |    | 75  | ml     | 572   | C                                    | Eucerin Dry Skin Relief         |
| Urea 5% scalp application  | ■  | 100 | ml     | 705   | C                                    | Eucerin DermoCapillaire Calming |
| Urea [13-C] 45mg oral powder breath test kit sugar free  | ■  | 1   | 1500   | C     | Helicobacter Test INFAI for children |                                 |
| Urea [13-C] 50mg tablets breath test kit   | ■  | 1   | 2125   | C     | diabact UBT                          |                                 |
| Urea [13-C] 75mg oral powder breath test kit sugar free  | ■  | 1   | 1700   | C     | Helicobacter Test INFAI              |                                 |
| Urea hydrogen peroxide 5% ear drops  | ■  | 8   | ml     | 289   | C                                    | Otex                            |
| Ursodeoxycholic acid 150mg tablets   |    | 60  | 1902   | A     |                                      |                                 |
| Ursodeoxycholic acid 250mg capsules  |    | 60  | 1080   | M     |                                      |                                 |
| Ursodeoxycholic acid 250mg tablets   |    | 60  | 1800   | C     | Cholurso                             |                                 |
| Ursodeoxycholic acid 250mg/5ml oral suspension sugar free                                      |    | 250 | ml     | 2698  | C                                    | Ursofalk                        |
| Ursodeoxycholic acid 300mg tablets   |    | 60  | 5433   | △     | A                                    |                                 |
| Ursodeoxycholic acid 500mg tablets   |    | 100 | 8000   | C     | Ursofalk                             |                                 |
| Valaciclovir 250mg tablets   |    | 60  | 12328  | C     | Valtrex                              |                                 |
| Valaciclovir 500mg tablets   |    | 10  | 1979   | M     |                                      |                                 |
| Valganciclovir 450mg tablets   |    | 60  | 102740 | A     |                                      |                                 |
| Valganciclovir 50mg/ml oral solution sugar free  | ●  | 100 | ml     | 23032 | C                                    | Valcyte                         |
| Valproic acid 250mg gastro-resistant tablets   |    | 30  | 569    | C     |                                      |                                 |
| Valproic acid 500mg gastro-resistant tablets   |    | 30  | 1137   | C     |                                      |                                 |
| Valsartan 160mg / Hydrochlorothiazide 12.5mg tablets   |    | 28  | 1496   | M     |                                      |                                 |
| Valsartan 160mg / Hydrochlorothiazide 25mg tablets   |    | 28  | 2817   | A     |                                      |                                 |
| Valsartan 160mg capsules   |    | 28  | 903    | M     |                                      |                                 |
| Valsartan 160mg tablets  |    | 28  | 1469   | A     |                                      |                                 |
| Valsartan 320mg tablets  |    | 28  | 1817   | A     |                                      |                                 |
| Valsartan 3mg/ml oral solution   |    | 160 | ml     | 720   | C                                    | Diovan                          |
| Valsartan 40mg capsules  |    | 28  | 478    | M     |                                      |                                 |
| Valsartan 40mg tablets   |    | 7   | 954    | A     |                                      |                                 |
| Valsartan 80mg / Hydrochlorothiazide 12.5mg tablets  |    | 28  | 2138   | A     |                                      |                                 |
| Valsartan 80mg capsules  |    | 28  | 718    | M     |                                      |                                 |
| Vancomycin 125mg capsules  |    | 28  | 13249  | A     |                                      |                                 |
| Vancomycin 1g powder for solution for infusion vials   | ■  | 1   | 1125   | C     | Bowmed Ibisqus Ltd                   |                                 |
|  |    | 10  | 12500  | C     | Flynn Pharma Ltd                     |                                 |
| Vancomycin 250mg capsules  |    | 28  | 13175  | A     |                                      |                                 |
| Vancomycin 500mg powder for solution for infusion vials  | ■  | 1   | 549    | C     | Bowmed Ibisqus Ltd                   |                                 |
|  |    | 10  | 6250   | C     | Flynn Pharma Ltd                     |                                 |
| § Vardenafil 10mg orodispersible tablets sugar free  |    | 4   | 1967   | C     | Levitra                              |                                 |

|    |   |      |     |          |   |                                    |
|----|---|------|-----|----------|---|------------------------------------|
| US | Vardenafil 10mg tablets   | 4    |     | 1066     | ▽ | A                                  |
|    | Vardenafil 20mg tablets   | 4    |     | 330      |   | M                                  |
| US | Vardenafil 5mg tablets  | 4    |     | 572      | ▽ | A                                  |
|    | Varenicline 1mg tablets   | 28   |     | 2730     |   | C Champix                          |
|    | Varenicline 1mg tablets and Varenicline 500microgram tablets                            | ■    | 25  | 2730     |   | C Champix                          |
|    | Varenicline 500microgram tablets  | 56   |     | 5460     |   | C Champix                          |
|    | Varicella immunoglobulin 250mg solution for injection vials                             | ■    | 1   | 75000    |   | C Varicella-Zoster                 |
|    | Varicella vaccine (live) powder and solvent for solution for injection 0.5ml vials      | ■    | 1   | 2731     |   | C Varilrix                         |
|    | Varicella vaccine (live) powder and solvent for suspension for injection 0.5ml vials    | ■    | 1   | 3028     |   | C Varivax                          |
|    | Venlafaxine 150mg modified-release capsules   | 28   |     | 390      |   | C Vensir XL                        |
|    | Venlafaxine 150mg modified-release tablets  | 30   |     | 390      |   | C Venlalic XL                      |
|    | Venlafaxine 225mg modified-release capsules   | 28   |     | 4711     |   | C Efexor XL                        |
|    | Venlafaxine 225mg modified-release tablets  | 30   |     | 3360     |   | C Venlalic XL                      |
|    | Venlafaxine 37.5mg modified-release capsules  | 28   |     | 525      |   | C                                  |
|    | Venlafaxine 37.5mg modified-release tablets   | 30   |     | 660      |   | C Venlalic XL                      |
|    | Venlafaxine 37.5mg tablets  | 56   |     | 271      |   | M                                  |
|    | Venlafaxine 75mg modified-release capsules  | 28   |     | 260      |   | C Vensir XL                        |
|    | Venlafaxine 75mg modified-release tablets   | 30   |     | 260      |   | C Venlalic XL                      |
|    | Venlafaxine 75mg tablets  | 56   |     | 372      |   | M                                  |
|    | Verapamil 120mg modified-release tablets  | 28   |     | 771      |   | C Half - Securon SR                |
|    | Verapamil 120mg tablets   | 28   |     | 458      |   | M                                  |
|    | Verapamil 160mg tablets   | 56   |     | 3153     |   | C Accord<br>Healthcare Ltd         |
|    | Verapamil 240mg modified-release tablets  | 28   |     | 555      |   | C Securon SR                       |
|    | Verapamil 40mg tablets  | 84   |     | 186      |   | M                                  |
|    | Verapamil 40mg/5ml oral solution sugar free   | 150  | ml  | 4492     |   | A                                  |
|    | Verapamil 80mg tablets  | 84   |     | 270      |   | M                                  |
|    | Vigabatrin 100mg soluble tablets sugar free   | 100  |     | 6647     |   | C Kigabeq                          |
|    | Vigabatrin 500mg oral powder sachets sugar free   | 50   |     | 2460     |   | C Sabril                           |
|    | Vigabatrin 500mg soluble tablets sugar free   | 50   |     | 14872    |   | C Kigabeq                          |
|    | Vigabatrin 500mg tablets  | 100  |     | 4441     |   | C Sabril                           |
|    | Vildagliptin 50mg / Metformin 1g tablets  | 60   |     | 3568     |   | C Eucreas                          |
|    | Vildagliptin 50mg / Metformin 850mg tablets   | 60   |     | 3568     |   | C Eucreas                          |
|    | Vildagliptin 50mg tablets   | 56   |     | 3335     |   | C Galvus                           |
|    | Vitamin B compound strong tablets   | 28   |     | 150      |   | M                                  |
|    | Vitamin B compound tablets  | 28   |     | 2663     |   | A                                  |
|    | Vitamins A and D capsules BPC 1973  | 84   |     | 842      |   | A                                  |
|    | Vitamins B and C high potency intramuscular solution for injection 5ml and 2ml ampoules | 20   |     | 2253     |   | C Pabrinex                         |
|    | Vitamins capsules   | 1000 |     | 1549     |   | A                                  |
|    | Voriconazole 100mg tablets  | 28   |     | 27568    |   | C Aristo Pharma Ltd                |
|    | Voriconazole 200mg tablets  | 28   |     | 63367    | ▽ | A                                  |
|    | Voriconazole 200mg/5ml oral suspension  | ●    | 75  | ml 55137 |   | C VFEND                            |
|    | Voriconazole 50mg tablets   | 28   |     | 16159    |   | A                                  |
|    | Vortioxetine 10mg tablets   | 28   |     | 2772     |   | C Brintellix                       |
|    | Vortioxetine 20mg tablets   | 28   |     | 2772     |   | C Brintellix                       |
|    | Vortioxetine 5mg tablets  | 28   |     | 2772     |   | C Brintellix                       |
|    | Warfarin 1mg tablets  | 28   |     | 87       |   | M                                  |
|    | Warfarin 1mg/ml oral suspension sugar free  | 150  | ml  | 12451    |   | A                                  |
|    | Warfarin 3mg tablets  | 28   |     | 89       |   | M                                  |
|    | Warfarin 500microgram tablets   | 28   |     | 149      |   | M                                  |
|    | Warfarin 5mg tablets  | 28   |     | 102      |   | M                                  |
|    | Water for injections 100ml vials  | 25   |     | 7500     |   | A                                  |
|    | Water for injections 10ml ampoules  | 10   |     | 317      |   | A                                  |
|    | Water for injections 10ml vials   | 25   |     | 5445     |   | C hameln pharma Ltd                |
|    | Water for injections 1litre bottles   | ■    | 1   | 433      |   | C Polyfusor W                      |
|    | Water for injections 20ml ampoules  | 20   |     | 1443     |   | C Water for injections Mini-Plasco |
|    | Water for injections 2ml ampoules   | 10   |     | 249      | △ | A                                  |
|    | Water for injections 500ml bottles  | ■    | 1   | 360      |   | C Polyfusor W                      |
|    | Water for injections 5ml ampoules   | 10   |     | 263      |   | A                                  |
|    | White soft paraffin 10% spray   | ■    | 250 | ml 597   |   | C Dermamist                        |
|    | White soft paraffin 15% / Liquid paraffin 6% cream                                      | ■    | 50  | g 162    |   | C Emcrem                           |
|    |   | ■    | 500 | g 425    |   | C Emcrem                           |
|    | White soft paraffin 15% / Liquid paraffin light 6% cream                                | ■    | 150 | g 306    |   | C                                  |
|    |   | ■    | 350 | ml 465   |   | C Oilatum Junior                   |
|    |   | ■    | 500 | ml 528   |   | C                                  |

## Part I

## Drugs And Preparations With Tariff Prices

|   |           |       |       |     |  |
|---|-----------|-------|-------|-----|--|
| White soft paraffin 50% / Liquid paraffin 50% ointment                                  | 500       | g     | 457   | C   | Alliance Healthcare (Distribution) Ltd |
| White soft paraffin 95% / Liquid paraffin 5% ointment                                   | ■ 50      | g     | 128   | C   | Diprobase                              |
|   | ■ 500     | g     | 599   | C   | Diprobase                              |
| White soft paraffin solid   | 500       | g     | 403   | A   |  |
| Wild cherry syrup   | 2000      | ml    | 3028  | C   | J M Loveridge Ltd                      |
| Wool fat solid  | 500       | g     | 2061  | C   | J M Loveridge Ltd                      |
| Xipamide 20mg tablets   |           |       | 140   |     | 1946 C Diurexan                        |
| Xylometazoline 0.05% nasal drops  | ■ 10      | ml    | 191   | C   | Otrivine Child                         |
| Xylometazoline 0.1% nasal drops   | ■ 10      | ml    | 218   | C   | Otrivine Adult                         |
| Xylometazoline 0.1% nasal spray   | ■ 10      | ml    | 218   | C   | Otrivine Adult                         |
| Xylometazoline 70micrograms/dose / Ipratropium bromide 84micrograms/dose nasal spray    | ■ 70      | dose  | 499   | C   | Otrivine Extra Dual Relief             |
| Yellow fever vaccine (live) powder and solvent for suspension for injection 0.5ml vials | ■ 1       |       | 3972  | C   | Stamaril                               |
| Yellow soft paraffin solid  |           | 500 g | 451   | C   | J M Loveridge Ltd                      |
| § Zanamivir 5mg inhalation powder blisters with device                                  | ■ 20      |       | 1636  | C   | Relenza                                |
| Zidovudine 300mg / Lamivudine 150mg tablets   | 60        |       | 30012 | C   | Combivir                               |
| Zinc acetate 25mg capsules  | 250       |       | 13200 | C   | Wilzin                                 |
| Zinc acetate 50mg capsules  | 250       |       | 24200 | C   | Wilzin                                 |
| Zinc and Castor oil ointment  | 500       | g     | 515   | A   |  |
| Zinc oxide 12.5% / Dimeticone 1.04% spray   | ■ 115     | g     | 890   | C   | Sprilon                                |
| Zinc oxide 283.5mg / Lidocaine 13.2mg suppositories                                     | 12        |       | 268   | C   | Germoloids                             |
|   | 24        |       | 458   | C   | Germoloids                             |
| Zinc oxide 6.6% / Lidocaine 0.7% cream  | ■ 25      | g     | 254   | C   | Germoloids                             |
|   | ■ 55      | g     | 471   | C   | Germoloids                             |
| Zinc oxide 6.6% / Lidocaine 0.7% ointment   | ■ 25      | ml    | 273   | C   | Germoloids                             |
|   | ■ 55      | ml    | 446   | C   | Germoloids                             |
| Zinc oxide impregnated medicated stockings  | 4         |       | 1388  | C   | Zipzoc                                 |
|   | 10        |       | 3470  | C   | Zipzoc                                 |
| Zinc oxide powder   | ■ 500     | g     | 1099  | C   | J M Loveridge Ltd                      |
| Zinc sulfate 220mg capsules   | 30        |       | 695   | C   |  |
|   | 250       |       | 5792  | C   | Zincomed                               |
| Zinc sulfate monohydrate 125mg effervescent tablets sugar free                          | 90        |       | 1720  | C   | Solvazinc                              |
|   | (3x ■ 30) |       |       |     |  |
| Zinc undecenoate 20% / Undecenoic acid 2% powder  | ■ 70      | g     | 304   | C   | Mycota                                 |
| Zinc undecenoate 20% / Undecenoic acid 5% cream   | ■ 25      | g     | 201   | C   | Mycota                                 |
| Zolmitriptan 2.5mg orodispersible tablets sugar free                                    | 6         |       | 771   | M   |  |
| Zolmitriptan 2.5mg tablets  | 6         |       | 229   | M   |  |
|   | 12        |       | 458   | M   |  |
| Zolmitriptan 5mg orodispersible tablets sugar free                                      | 6         |       | 1241  | ▽ A |  |
| Zolmitriptan 5mg tablets  | 6         |       | 3600  | C   | Glenmark Pharmaceuticals Europe Ltd    |
| Zolmitriptan 5mg/0.1ml nasal spray unit dose  | 6         |       | 3650  | C   | Zomig                                  |
|   | (6x ■ 1)  |       |       |     |  |
| Zolpidem 10mg tablets   | 28        |       | 130   | M   |  |
| Zolpidem 5mg tablets  | 28        |       | 185   | M   |  |
| Zonisamide 100mg capsules   | 56        |       | 4964  | M   |  |
| Zonisamide 100mg/5ml oral suspension  | 250       | ml    | 18190 | C   | Desizon                                |
| Zonisamide 25mg capsules  | 14        |       | 919   | △ A |  |
| Zonisamide 50mg capsules  | 56        |       | 4382  | ▽ A |  |
| Zopiclone 3.75mg tablets  | 28        |       | 118   | M   |  |
| Zopiclone 7.5mg tablets   | 28        |       | 118   | M   |  |
| Zuclopenthixol 10mg tablets   | ■ 100     |       | 806   | C   | Clopixol                               |
| Zuclopenthixol 25mg tablets   | ■ 100     |       | 1613  | C   | Clopixol                               |
| Zuclopenthixol 2mg tablets  | ■ 100     |       | 314   | C   | Clopixol                               |
| Zuclopenthixol acetate 50mg/1ml solution for injection ampoules                         | 5         |       | 2421  | C   | Clopixol Acuphase                      |
| Zuclopenthixol decanoate 200mg/1ml solution for injection ampoules                      | 10        |       | 3151  | C   | Clopixol                               |
| Zuclopenthixol decanoate 500mg/1ml solution for injection ampoules                      | 5         |       | 3718  | C   | Clopixol-Conc                          |

PAGE INTENTIONALLY BLANK

## Part I (b)

### Minor Ailments

| Product   | Pack  | Pack Price |
|---|-------|------------|
| Anusol cream  | 23g   | 2.45       |
| Anusol ointment   | 25g   | 2.45       |
| Anusol suppositories  | 12    | 2.26       |
| Anusol Plus HC ointment   | 15g   | 3.34       |
| Anusol Plus HC suppositories                                      | 12    | 3.34       |
| Benzoyl peroxide 5% gel (Acnecide)                                | 30g   | 5.44       |
| Benzoyl peroxide 5% wash (Acnecide)                               | 50g   | 5.44       |
| Bug Busting Kit (DT)  | 1     | 5.08       |
| Clotrimazole 10% cream (Canesten internal cream)                  | 5g    | 6.23       |
| Clotrimazole 500mg pessary (Canesten)                             | 1     | 5.50       |
| Clotrimazole combi (Canesten Combi)                               | 1     | 8.94       |
| Clotrimazole cream 1% (DT)  | 20g   | 1.43       |
| Clotrimazole cream 2% (Canesten Thrush cream)                     | 20g   | 4.76       |
| Clotrimazole cream combi (Canesten Cream Combi)                   | 1     | 8.94       |
| Dimeticone 4% (Hedrin)  | 50ml  | 3.28       |
| Dimeticone 4% (Hedrin)  | 150ml | 7.62       |
| Fluconazole 150mg capsule   | 1     | 1.03       |
| Hydrocortisone 2.5mg Muco-Adhesive Buccal Tablets Sugar Free (DT) | 20    | 9.06       |
| Loperamide 2mg capsules   | 12    | 1.07       |
| Loperamide 2mg capsules   | 6     | 0.96       |
| Malathion 0.5% Aqueous Liquid (Derbac-M)                          | 50ml  | 4.26       |
| Malathion 0.5% Aqueous Liquid (Derbac-M)                          | 200ml | 9.91       |
| Mebendazole 100mg/5ml Oral Suspension (Ovex)                      | 30ml  | 7.55       |
| Mebendazole Chewable Tablets 100mg (Ovex)                         | 1     | 2.66       |
| Miconazole 2%, HC cream 1% (Daktacort HC) cream                   | 15g   | 3.80       |
| Miconazole cream 2% (Daktarin cream)                              | 15g   | 2.66       |
| Miconazole 20mg/g Oromucosal Gel Sugar Free (Daktarin)            | 15g   | 4.01       |
| Olive Oil Ear Drops (DT)  | 10ml  | 1.40       |
| Oral rehydration sachets (Dioralyte Relief)                       | 6     | 2.50       |
| Oral rehydration sachets (Dioralyte Relief)                       | 20    | 7.13       |
| Oral rehydration sachets (Dioralyte sachets)                      | 6     | 2.25       |
| Oral rehydration sachets (Dioralyte sachets)                      | 20    | 6.72       |
| Permethrin 5% cream (Lyclear)                                     | 30g   | 5.71       |
| Salicylic acid 12% / Lactic acid 4% (Salatac gel)                 | 8g    | 2.98       |
| Salicylic acid 16.7% / Lactic acid 16.7% (Salactol paint)         | 10ml  | 1.71       |
| Salicylic acid 26% (Occlusal solution)                            | 10ml  | 3.56       |
| Sodium Bicarbonate 5% Ear Drops (DT)                              | 10ml  | 1.25       |
| Terbinafine gel 1% (Lamisil AT gel)                               | 15g   | 3.58       |



PAGE INTENTIONALLY BLANK



## Part II

## Approved List Of Chemical Reagents

| Chemical Reagent   | Quantity | Price |
|--|----------|-------|
| <b>Detection Strips, Urine</b>   |          |       |
| (Supplied with an instruction sheet, analysis record and colour chart)   |          |       |
| <b>Detection Strips, urine for Glycosuria</b>  |          |       |
| <b>Diastix</b>   | 50       | 2.89  |
| <b>Medi-Test Glucose</b>   | 50       | 2.36  |
| <b>Detection Strips, urine for Ketonuria (<i>Acetonuria</i>)</b>   |          |       |
| <b>GlucoRx KetoRx Sticks 2GK</b>   | 50       | 2.25  |
| <b>Ketostix</b>  | 50       | 3.06  |
| <b>Detection Strips. Urine for Proteinuria</b>   |          |       |
| <b>Albustix</b>  | 50       | 4.10  |
| <b>Medi Test Protein 2</b>   | 50       | 3.31  |
| <br>   |          |       |
| <b>Detection Strips, Blood For Glucose</b>   |          |       |
| (Supplied with an instruction sheet, analysis record and colour chart)   |          |       |
| Notes on the use of <b>Blood Glucose Testing Strips (BGTS)</b> are given in the appendix to Part II.   |          |       |
| Lancets are listed in Part III under 'Hypodermic Equipment'. Meters for use with BGTS or Discs are not available separately on Prescription Form HS21. |          |       |
| <b>Colorimetric Strips - Visually Readable</b>   |          |       |
| <b>Betachek Visual</b>   | 50       | 6.80  |
| <b>Glucoflex-R</b>   | 50       | 6.75  |
| <b>Biosensor Strips - to be read only with the appropriate meter</b>   |          |       |
| <b>4SURE</b>   | 50       | 8.99  |
| <b>Advocate Redi-Code+</b>   | 50       | 9.95  |
| <b>AutoSense</b>   | 25       | 4.50  |
| <b>Aviva</b>   | 50       | 16.21 |
| <b>BGStar</b>  | 50       | 14.73 |
| <b>CareSens N</b>  | 50       | 12.75 |
| <b>CareSens PRO</b>  | 50       | 9.95  |
| <b>Contour</b>   | 50       | 9.99  |
| <b>Contour Next</b>  | 50       | 15.37 |
| <b>Contour Plus</b>  | 50       | 8.50  |
| <b>Contour TS</b>  | 50       | 9.74  |
| <b>Dario</b>   | 50       | 14.95 |
| <b>Dario Lite</b>  | 50       | 9.95  |
| <b>Element</b>   | 50       | 9.89  |
| <b>Finetest Lite</b>   | 50       | 5.95  |
| <b>Fora Advanced pro GD40 (glucose)</b>  | 50       | 9.25  |
| <b>FreeStyle</b>   | 50       | 16.40 |
| <b>FreeStyle Lite</b>  | 50       | 16.41 |
| <b>FreeStyle Optium</b>  | 50       | 16.30 |
| <b>GlucoDock Glucose</b>   | 50       | 14.90 |
| <b>Glucofix Tech Sensor</b>  | 50       | 5.95  |
| <b>GlucoLab</b>  | 50       | 9.89  |

| Chemical Reagent                       | Quantity | Price |
|--|----------|-------|
| <b>GlucoMen areo Sensor</b>            | 50       | 8.25  |
| <b>GlucoRx HCT Glucose Test Strips</b> | 50       | 8.95  |
| <b>GlucoRx GO</b>                      | 50       | 9.95  |
| <b>GlucoRx GO Professional</b>         | 50       | 9.95  |
| <b>GlucoRx Nexus Strips</b>            | 50       | 8.95  |
| <b>GlucoRx Q</b>                       | 50       | 5.45  |
| <b>GlucoZen.auto</b>                   | 50       | 7.64  |
|  | 100      | 10.85 |
| <b>GluNEO</b>                          | 50       | 9.89  |
| <b>Guide</b>                           | 50       | 16.21 |
| † <b>IME-DC</b>                        | 50       | 14.10 |
| <b>Instant</b>                         | 50       | 7.50  |
| <b>Kinetik Wellbeing</b>               | 50       | 8.49  |
|  | 100      | 13.98 |
| <b>Medisense SoftSense</b>             | 50       | 15.05 |
| <b>MediTouch</b>                       | 50       | 14.90 |
| <b>MediTouch 2</b>                     | 50       | 12.49 |
| <b>Microdot+</b>                       | 50       | 9.49  |
| <b>Microdot Max</b>                    | 50       | 7.49  |
| <b>MODZ</b>                            | 50       | 14.00 |
| <b>Myglucohealth</b>                   | 50       | 15.50 |
| <b>Mylife Aveo</b>                     | 50       | 6.95  |
| <b>Mylife Pura</b>                     | 50       | 9.50  |
| <b>Mylife Unio</b>                     | 50       | 9.50  |
| <b>Oh'Care Lite</b>                    | 50       | 8.88  |
| <b>OKmeter Core</b>                    | 50       | 9.90  |
| <b>Omnitest 3</b>                      | 50       | 9.89  |
| <b>Omnitest 5</b>                      | 50       | 9.89  |
| <b>On-Call Advanced</b>                | 50       | 13.65 |
| <b>On Call Extra</b>                   | 50       | 6.99  |
| <b>On Call Sure</b>                    | 50       | 8.50  |
| <b>OneTouch Select Plus</b>            | 50       | 9.99  |
| <b>OneTouch Verio</b>                  | 50       | 15.12 |
| <b>palmdoc</b>                         | 50       | 5.90  |
| <b>palmdoc iCare Advanced</b>          | 50       | 9.70  |
| <b>palmdoc iCare Advanced Solo</b>     | 50       | 13.50 |
| <b>Performa</b>                        | 50       | 7.50  |
| <b>SD Codefree</b>                     | 50       | 6.99  |
| <b>Sensocard</b>                       | 50       | 16.30 |
| <b>SURESIGN Resure</b>                 | 50       | 8.49  |
| <b>TEE2</b>                            | 50       | 7.75  |
| <b>True Metrix</b>                     | 50       | 6.95  |
|  | 100      | 12.50 |
| <b>TRUEyou</b>                         | 50       | 7.95  |

† to be deleted 1 October 2021

| Chemical Reagent  | Quantity                  | Price |
|---|---------------------------|-------|
| <b>VivaChek Ino</b>   | 50                        | 8.99  |
| <b>WaveSense JAZZ</b>   | 50                        | 8.74  |
| <b>WaveSense JAZZ Duo</b>   | 50                        | 8.74  |
| <b>Biosensor Discs – to be read only with the appropriate meter</b>       |                           |       |
| <b>Breeze 2</b>   | 5 discs of 10 strips each | 15.00 |
| <b>Mendor Discrete</b>  | 50                        | 14.75 |
| <b>Colorimetric Strips – to be read only with the appropriate meter</b>   |                           |       |
| <b>Active</b>   | 50                        | 10.03 |
| <b>Betachek G5</b>  | 50                        | 14.19 |
| <b>Colorimetric Cassette – to be read only with the appropriate meter</b> |                           |       |
| <b>Betachek C50</b>   | 50                        | 9.95  |
|   | 100                       | 19.90 |
| <b>Mobile</b>   | 50                        | 9.99  |
| <b>Colorimetric Test Tip</b>  |                           |       |
| <b>Fine Touch testing tips</b>  | 50                        | 14.00 |

### Detection Strips, Blood For Glucose And Ketones

- to be read only with the appropriate meter

|                   |    |       |
|-------------------|----|-------|
| <b>KEYA Smart</b> | 50 | 15.86 |
|-------------------|----|-------|

### Detection Strips, Blood for Ketones (Beta-Hydroxybuterate)

- to be read only with the appropriate meter

#### Detection Strips, urine for Glycosuria

|   |                    |    |       |
|---|--------------------|----|-------|
| <b>4SURE <math>\beta</math>-Ketone Test Strips</b>            | 4S-810-4183401-001 | 10 | 9.92  |
| <b>For a Advanced pro GD40 (ketone)</b>                       |                    | 10 | 9.25  |
| <b>FreeStyle Optium <math>\beta</math>-Ketone Test Strips</b> | 70784-35           | 10 | 21.94 |
| <b>GlucoMen areo Ketone Sensors</b>                           | 48106              | 10 | 9.95  |
| <b>GlucoRx HCT Ketone Test Strips</b>                         |                    | 10 | 9.95  |
| <b>KetoSens</b>   | PKA1E0020          | 10 | 9.95  |

### Detection Strips, Blood for Determination of International Normalised Ration (INR)

- to be read only with the appropriate meter

#### Detection Strips, urine for Glycosuria

|                                 |              |    |        |
|---------------------------------|--------------|----|--------|
| <b>Alere INRatio</b>            | 0100071      | 12 | 30.53  |
|                                 | 0100139      | 48 | 119.35 |
| <b>CoaguChek PT Test</b>        | 06688721     | 48 | 141.50 |
| <b>CoaguChek XS PT</b>          | 04625358     | 24 | 72.38  |
|                                 | 04625315     | 48 | 141.50 |
| <b>CoaguChek XS PT Test PST</b> | 07671687019  | 24 | 72.38  |
| <b>LumiraDx INR Test</b>        | L00300101048 | 48 | 96.00  |
| <b>microINR</b>                 | CHB0025AA    | 25 | 69.00  |

| Chemical Reagent  | Quantity | Price |
|---|----------|-------|
| <b>Detection Pad, Sweat for Neuropathy<br/>Neuropad</b> | 2        | 7.28  |

## Part II - Appendix

### Notes on Blood Glucose Testing

- Blood glucose testing strips (BGTS) are primarily intended for insulin-dependent diabetics who will normally have received consultant advice on their condition. One pack (50 strips) would normally be sufficient for 2 months. All strips should be kept in their original container and should not be cut or slit. Because of the differences in colour change in colorimetric types, strips are not interchangeable.  
**Due regard should be given to the manufacturer's instructions and to the recommendation on storage and period of use after first opening.**
- Misleading results, which could be hazardous if acted upon, might arise if users are inadequately trained. It is therefore essential that patients should receive appropriate training before attempting to use BGTS for monitoring their blood glucose. This instruction should be given by health care professionals who are trained in the use of the product. It should be noted that there are small variations in technique between different makes. Some technical factors are given in paragraph 5 below.
- General practitioners should be aware that defects in colour vision may occur in diabetes and certain BGT strips should not be prescribed for such patients for visual use. (see outline of colour changes described in each entry on the foregoing pages).
- Reagent Strips are subject to the following limitations:
 

|                    |   |
|--------------------|---|
| Fluoride Specimen: | The strips are not to be used with blood specimens preserved with fluoride. |
| Serum and Plasma:  | The strips are not designed for use with serum or plasma.                   |
| Haematocrit:       | Extremes in haematocrit levels can affect test results:                     |

### Due regard should be given to the manufacturer's product specifications.

- Disposal of Lancets. Patients should be reminded of the need to exercise caution when disposing of used lancets. These should be placed in a tin or other strong container before disposal. **(The needle clipping device listed in Part III is not generally suitable for use with lancets).**

As with single-use syringes, the arrangements outlined above are not suitable for patients where there is a risk of infection being transmitted. General Practitioners are similarly advised that blood lancets should only be prescribed for patients who are carriers of infectious diseases where suitable arrangements have been made for the disposal of the used articles as contaminated waste. Medical Officers for environmental health can advise on these arrangements.

## Part III

## List of Appliances

## Notes

1. Definition - The appliances that may be supplied against orders on Form HS21 are listed below and must conform to the specifications shown. These specifications include published official standards i.e. BP, BPC or relevant British Standard or the Drug Tariff Technical Specification. It should be emphasised that any appliance must conform to the entry in this part of the Tariff as well as with the official standard or technical specification quoted therein.
2. Sealed Packets - These are those which are "tamper-evident" - sealed with an easily detachable device that prevents removal of the contents without the seal being broken. Additionally in the case of sterile products: once a sealed package has been opened it should not be possible to re-seal it easily. Where an appliance, other than a bandage, required by the Tariff to be supplied in a sealed packet is ordered of a quantity or weight not listed in the Tariff, the quantity ordered should be made up as nearly as possible with the smallest numbers of sealed packets available for the purpose. Where the quantity ordered is less than the smallest quantity/weight, supply the smaller pack. The quantity of material in each packet supplied should be recorded on the prescription form.
3. Weights - All weights specified in the Tariff in respect of appliances are exclusive of wrappings and packing material.
4. Invoice price - This is the price chargeable for the appliance to the contractor by the manufacturer, wholesaler or supplier.
5. Technical specifications. Numbered Drug Tariff technical specifications are listed in Part XII.
6. The list of preparations that may be prescribed by nurses on Form HS 21(N) is shown in Part IX (b).

**Absorbent Cottons**

To be supplied in suitable tamper evident packaging as received from the manufacturer or wholesaler.  
(See note 2)

|  |      | <b>each</b> |
|--|------|-------------|
| <b>Absorbent Cotton BP 1988</b>  | 25g  | 0.81        |
| Where no quantity is stated on the prescription the<br>25g pack is to be supplied. | 100g | 1.84        |
|  | 500g | 6.19        |
| <b>Absorbent Cotton, Hospital Quality</b>  | 100g | 1.28        |
| Specification 1  | 500g | 4.03        |
| To be supplied only where specifically ordered.                                    |      |             |

**Acne Treatment****Aknicare**

|        |      |       |
|--------|------|-------|
| Cream  | 50ml | 12.00 |
| Lotion | 25ml | 13.00 |

**Aknicare SR**

|             |     |       |
|-------------|-----|-------|
| Skin Roller | 5ml | 10.00 |
|-------------|-----|-------|

**Adhesive Dressing Remover Sterile – Silicone Based**

|  |       |       |
|--|-------|-------|
| <b>Appeel Sterile</b> foam applicator                | 5     | 4.00  |
| <b>Appeel Sterile</b> medical adhesive remover spray | 100ml | 16.73 |
| <b>Appeel Sterile</b> single use sachet              | 5ml   | 1.21  |
| <b>Appeel Sterile</b> single use wipes               | 30    | 16.21 |



**Anal Irrigation System**

Aquaflush Irrigations Systems (Renew Medical UK)

**Aquaflush Actif Irrigation Cone System**

|   |      |       |
|---|------|-------|
| <b>Starter Set</b>  | AFAS | 74.00 |
| (Contains 1 water bag, 1 pump, 1 hook for water bag, 1 extension tube, 5 short cones wrapped in glove/disposal bag, 1 strap, 1 washbag) |      |       |

|  |      |       |
|--|------|-------|
| <b>Monthly Set</b>   | AFAM | 96.30 |
| (Contains 1 water bag, 1 pump, 1 hook for water bag, 15 short cones wrapped in glove/disposal bag) |      |       |

**Aquaflush Compact System**

|   |      |       |
|---|------|-------|
| <b>Starter Set</b>  | AFCS | 34.41 |
| (Contains 1 pump, 5 cones, 5 glove/disposal bags, 1 wash bag) |      |       |

|   |      |       |
|---|------|-------|
| <b>Monthly Set</b>                                  | AFCM | 58.79 |
| (Contains 1 pump, 15 cones, 15 glove/disposal bags) |      |       |

**Aquaflush Compact+ System**

|  |       |       |
|--|-------|-------|
| <b>Starter Set</b>   | AFCPS | 34.42 |
| (Contains 1 pump, 5 cones, 5 disposal bags, 5 lubricant sachets, 1 wash bag, 1 extension tube) |       |       |

|   |       |       |
|---|-------|-------|
| <b>Monthly Set</b>  | AFCPM | 58.79 |
| (Contains 1 pump, 15 cones, 15 disposal bags, 15 lubricant sachets) |       |       |

**Aquaflush Lite System**

|   |      |       |
|---|------|-------|
| <b>Starter Set</b>  | AFLS | 74.00 |
| (Contains 1 water bag, 1 pump, 1 hook for water bag, 1 extension tube, 7 cones, 7 lubricant sachets, 1 washbag) |      |       |

|  |      |       |
|--|------|-------|
| <b>Monthly Set</b>   | AFLM | 96.30 |
| (Contains 1 water bag, 1 pump, 16 cones, 16 lubricant sachets) |      |       |

|   |      |       |
|---|------|-------|
| <b>Refill Pack</b>                        | AFLA | 58.79 |
| (Contains 15 cones, 15 lubricant sachets) |      |       |

**Aquaflush Extension Tubes**

|  |        |                  |
|--|--------|------------------|
|  |        | <b>pack of 2</b> |
|  | AFExtn | 6.21             |

**Aquaflush Self Retaining Catheter System**

|  |        |       |
|--|--------|-------|
| <b>Starter Set</b>   | AFSRCS | 77.00 |
| (Contains 1 water bag, 1 pump, 1 hook for suspending water bag, 1 floor stand, 1 extension tube, 5 rectal catheters, 5 disposal bags, 1 lubricant sachet, 1 washbag) |        |       |

|  |        |        |
|--|--------|--------|
| <b>Monthly Set</b>   | AFSRCM | 105.00 |
| (Contains 1 water bag, 1 pump, 1 floor stand, 15 rectal catheters, 15 disposal bags, 15 lubricant sachets) |        |        |

|  |        |       |
|--|--------|-------|
| <b>Refill Pack</b>   | AFSRCA | 75.00 |
| (Contains 15 rectal catheters, 15 disposal bags, 15 lubricant sachets) |        |       |

**Aquaflush Short Cone Refill Pack**

|   |      |                      |
|---|------|----------------------|
|   | AFSC | <b>each</b><br>58.79 |
| (Contains 15 cones, 15 disposal bags, 15 lubricant sachets) |      |                      |

**IryPump S (B Braun Medical)**

|                      |        |                       |
|----------------------|--------|-----------------------|
| <b>IryPump S Set</b> | 29120E | <b>each</b><br>515.29 |
|----------------------|--------|-----------------------|

|                 |        |       |
|-----------------|--------|-------|
| <b>IryCone+</b> | 29220E | 63.22 |
|-----------------|--------|-------|

|                          |       |       |
|--------------------------|-------|-------|
| <b>IryPump Container</b> | 29240 | 43.77 |
|--------------------------|-------|-------|

**Anal Irrigation System – cont.**

|  |       |                            |
|--|-------|----------------------------|
| <b>Navina Classic Control Unit</b>   | 69013 | 59.60                      |
| <b>Navina Classic System</b><br>(System includes 1 Navina Classic control unit, 1 water container, 1 tube set, 2 rectal catheters, 1 accessory set, 1 Navina case)               | 69005 | 77.89                      |
| <b>Navina Classic System – small</b><br>(System includes 1 Navina Classic control unit, 1 water container, 1 tube set, 2 small rectal catheters, 1 accessory set, 1 Navina case) | 69007 | 77.51                      |
| <b>Navina Classic System – refill</b><br>(Contains 1 Navina Classic control unit, 1 water container, 1 tube set, 2 rectal catheters)   | 69006 | 77.89                      |
| <b>Navina Classic System – Cone</b><br>(System contains 1 Navina Classic control unit, 1 water container, 1 tube set, 2 rectal cones, 1 accessory set, 1 Navina case)            | 69017 | 75.64                      |
| <b>Navina Smart Control Unit</b><br>(Contains Navina Smart control unit, 1 charger, 1 power adaptor)   | 69014 | 311.57                     |
| <b>Navina Smart System</b><br>(System includes 1 control unit, 2 rectal catheters, 1 water container, 1 tube set, 1 accessory set, 1 Navina case)                                | 69009 | 311.57                     |
| <b>Navina Smart System - small</b><br>(System includes 1 control unit, 2 small rectal catheters, 1 water container, 1 tube set, 1 accessory set, 1 Navina case)                  | 69010 | 310.08                     |
| <b>Navina Smart System – Cone</b><br>(System includes 1 control unit, 2 rectal cones, 1 water container, 1 tube set, 1 accessory set, 1 Navina case)                             | 69019 | 302.59                     |
| <b>Navina Consumable Set</b><br>(Contains 15 rectal catheters, 1 water container)  | 69003 | 134.93                     |
| <b>Navina Consumable Set - small</b><br>(Contains 15 small rectal catheters, 1 water container)  | 69004 | 134.28                     |
| <b>Navina Consumable Set – Cone</b><br>(Contains 15 small rectal catheters, 1 water container)   | 69016 | 117.59                     |
| <b>Navina Rectal Catheter Set</b><br>(Contains 10 rectal catheters)  | 68940 | <b>pack of 10</b><br>85.01 |
| <b>Navina Rectal Catheter Set – small</b><br>(Contains 10 small rectal catheters)  | 68943 | 84.60                      |
| <b>Navina Tube Set</b><br>(Contains 1 catheter tube, 1 water container tube)   | 69011 | <b>Each</b><br>9.14        |

**Anal Irrigation System – cont.**

|  |           |                      |
|--|-----------|----------------------|
| <b>Peristeen Plus System - Regular</b> (including toilet bag)                                  | 29140     | <b>each</b><br>79.45 |
| (System includes 1 control unit, 2 rectal catheters, 1 water bag, 2 straps, 1 tube)            |           |                      |
| <b>Peristeen Plus System - Regular</b> (excluding toilet bag)                                  | 29141     | 79.45                |
| (System includes 1 control unit, 2 rectal catheters, 1 water bag, 2 straps, 1 tube)            |           |                      |
| <b>Peristeen Plus System - Small</b> (including toilet bag)                                    | 29147     | 79.45                |
| (System includes 1 control unit, 2 rectal catheters, 1 water bag, 2 straps, 1 tube)            |           |                      |
| <b>Peristeen Plus System - Small</b> (excluding toilet bag)                                    | 29148     | 79.45                |
| (System includes 1 control unit, 2 rectal catheters, 1 water bag, 2 straps, 1 tube)            |           |                      |
| <b>Peristeen System</b>  | 29121     | 79.45                |
| (System includes 1 control unit, 2 rectal catheters, 1 water bag, 2 straps)                    |           |                      |
| <b>Peristeen System - small</b>  | 29126     | 79.45                |
| (System includes 1 control unit, 2 rectal catheters, 1 water bag, 1 strap)                     |           |                      |
| <b>Peristeen Accessory Unit</b>  | 29122     | 138.47               |
| (Contains 15 rectal catheters, 1 water bag)  |           |                      |
| <b>Peristeen Accessory Unit - small</b>  | 29127     | 138.47               |
| (Contains 15 rectal catheters, 1 water bag)  |           |                      |
| <b>Peristeen Plus Accessory Unit - Regular</b>   | 29142     | 138.47               |
| (Contains 15 rectal catheters, 1 water bag)  |           |                      |
| <b>Peristeen Plus Accessory Unit – Small</b>   | 29149     | 138.47               |
| (Contains 15 rectal catheters, 1 water bag)  |           |                      |
|  |           | <b>pack of 10</b>    |
| <b>Peristeen Plus Rectal Catheter - Regular</b>  | 29143     | 88.53                |
| (Contains 10 rectal catheters)   |           |                      |
| <b>Peristeen Plus Rectal Catheter - Small</b>  | 29150     | 88.53                |
| (Contains 10 rectal catheters)   |           |                      |
|  |           | <b>pack of 10</b>    |
| <b>Peristeen Rectal Catheters</b>  | 29123     | 88.53                |
| <b>Small</b>   | 29128     | 88.53                |
| (Contains 10 rectal catheters)   |           |                      |
|  |           | <b>pack of 10</b>    |
| <b>Peristeen Plus Straps (pairs)</b>   | 29145     | 5.67                 |
|  |           | <b>pack of 2</b>     |
| <b>Peristeen Plus Tubes</b>  | 29146     | 7.94                 |
|  |           | <b>per pair</b>      |
| <b>Peristeen Straps</b>  | 29124     | 5.67                 |
|  |           | <b>pack of 2</b>     |
| <b>Peristeen Tubes</b>   | 29125     | 7.94                 |
|  |           | <b>each</b>          |
| <b>Qufora Irrigation System</b> (MacGregor Healthcare Ltd)                                     |           |                      |
| <b>IrriSedo Bed System</b> (5 Irrigation Set) - 12mm   | 53201-055 | 51.13                |
| (Contains 1 water bag with pump, 5 rectal catheters 12mm, 5 collection bags, 5 gel sachets)    |           |                      |
| <b>IrriSedo Bed System</b> (5 Irrigation Set) - 21mm   | 53001-055 | 51.13                |
| (Contains 1 water bag with pump, 5 rectal catheters 21mm, 5 collection bags, 5 gel sachets)    |           |                      |
| <b>IrriSedo Bed System</b> (5 Irrigation Set) - 30mm   | 53101-055 | 51.13                |
| (Contains 1 water bag with pump, 5 rectal catheters 30mm, 5 collection bags, 5 gel sachets)    |           |                      |
| <b>IrriSedo Bed System</b> (15 Irrigation Set) - 12mm  | 53201-015 | 153.40               |
| (Contains 1 water bag with pump, 15 rectal catheters 12mm, 15 collection bags, 15 gel sachets) |           |                      |



**Anal Irrigation System – cont.**

|   |           |        |
|---|-----------|--------|
| <b>IrriSedo Bed System</b> (15 Irrigation Set) - 21mm<br>(Contains 1 water bag with pump, 15 rectal catheters 21mm, 15 collection bags, 15 gel sachets)           | 53001-015 | 153.40 |
| <b>IrriSedo Bed System</b> (15 Irrigation Set) - 30 mm<br>(Contains 1 water bag with pump, 15 rectal catheters 30mm, 15 collection bags, 15 gel sachets)          | 53101-015 | 153.40 |
| <b>IrriSedo Balloon System</b> - Base Set (Regular)<br>(Contains 1 control unit with velcro strap, 1 water bag, 2 hydrophilic rectal balloon catheters (regular)) | 58101-002 | 71.73  |
| <b>IrriSedo Balloon System</b> - Base Set (Small)<br>(Contains 1 control unit with velcro strap, 1 water bag, 2 hydrophilic rectal balloon catheters (small))     | 58102-002 | 71.73  |
| <b>IrriSedo Balloon System</b> - Accessory Set (Regular)<br>(Contains 1 water bag, 15 hydrophilic rectal balloon catheters (regular))                             | 58201-015 | 117.85 |
| <b>IrriSedo Balloon System</b> - Accessory Set (Small)<br>(Contains 1 water bag, 15 hydrophilic rectal balloon catheters (small))                                 | 58202-015 | 117.85 |
| <b>IrriSedo Balloon System</b> - Catheter Set (Regular)<br>(Contains 10 hydrophilic rectal balloon catheters (regular))   | 58301-010 | 80.96  |
| <b>IrriSedo Balloon System</b> - Catheter Set (Small)<br>(Contains 10 hydrophilic rectal balloon catheters (small))   | 58302-010 | 80.96  |
| <b>IrriSedo Cone System</b>   |           |        |
| <b>Starter Set</b><br>(Contains 1 pump, 1 water bag, 5 hydrophilic coated cones, 5 waste bags, 1 toilet bag)  | QTS       | 79.73  |
| <b>15 Irrigation Set</b><br>(Contains 1 pump, 1 water bag, 15 Hydrophilic coated cones, 15 waste bags)  | QTM       | 104.18 |
| <b>Accessory Set</b><br>(Contains 15 Hydrophilic cones)   | 52601-015 | 60.46  |
| <b>IrriSedo Klick Catheter Set</b><br>(Contains 15 catheters, 1 Klick tube, 1 water bag, 1 soft bag)  | QKCATH    | 133.61 |
| <b>IrriSedo Klick Control Unit</b><br>(Contains 1 control unit, 1 leg strap)  | QKCONTROL | 50.48  |
| <b>IrriSedo Klick Starter Set</b><br>(Contains 5 catheters, 1 Klick tube, 1 control unit, 1 water bag, 1 leg strap, 1 hook, 1 toilet bag)                         | QKSTART   | 87.99  |
| <b>IrriSedo MiniGo</b><br>(30 irrigation set) (Contains 1 pump, 30 hydrophilic coated cones)  | QMGO      | 195.00 |
| <b>IrriSedo MiniGo Flex</b><br>(30 irrigation set) (Contains 1 pump, 30 hydrophilic coated cones with integral tube)  | QMGOFLEX  | 225.00 |
| <b>IrriSedo Mini System</b><br>(15 irrigation set) (Contains 1 pump, 15 Hydrophilic coated cones, 15 waste bags)  | 53601-015 | 60.46  |
| <b>IrriSedo Mini System</b><br>(30 irrigation set) (Contains 1 pump, 1 conebag, 30 Hydrophilic cones)   | 53601-030 | 120.92 |
| <b>Qufora IrriSedo Extension Tube</b>   | 52715-015 | 46.11  |

pack of 15

**Applicators - Vaginal**

Plastics syringe-type applicator with transparent or translucent barrel and opaque or translucent plunger. The end of the barrel has an internal screw thread. (Length not less than 11cm and capacity not less than 5ml).

**Type 1. (Estriol)** 1.60

NB: 1. Where an Estriol Cream pack ordered by the prescriber does not include an applicator, and the contractor considers that one is required, an Estriol Vaginal Applicator should be supplied and the prescription form endorsed accordingly.

**Arm Slings**

**Web, Adjustable** 2.16

**Auto Inflation Device** (for the treatment of Glue Ear)

**Otovent** 6.69

**Bacterial Decolonisation Products**

|                               |              |      |
|-------------------------------|--------------|------|
| <b>Prontoderm Foam</b>        | 200ml bottle | 3.78 |
| <b>Prontoderm Nasal Gel</b>   | 30ml tube    | 5.35 |
| <b>Octenisan md Nasal Gel</b> | 6ml tube     | 3.76 |

**Bladder Instillation****Chondroitin Sulfate**

**Gepan Instill** (contains chondroitin sulfate 0.2%) pre-filled syringe 40ml 68.00

**Hyaluronic Acid**

|  |      |       |
|--|------|-------|
| <b>+</b> <b>Cystistat</b> (contains 40mg of sodium hyaluronate)          | 50ml | 98.00 |
| <b>Hyacyst</b> (contains 40mg of sodium hyaluronate) pre-filled syringe  | 50ml | 70.00 |
| <b>Hyacyst</b> (contains 120mg of sodium hyaluronate) pre-filled syringe | 50ml | 70.00 |
| <b>Instylan</b> (contains 80mg of sodium hyaluronate)                    | 50ml | 48.00 |
| <b>Solatum</b> (contains 40mg of sodium hyaluronate) pre-filled syringe  | 20ml | 57.00 |

**Hyaluronic Acid and Chondroitin Sulfate**

**iAluRil** 50ml 88.00  
(contains 800mg of sodium hyaluronate and 1g sodium chondroitin sulfate)

**\* Instillamed** 50ml 79.00  
(contains 800mg of sodium hyaluronate and 1g sodium chondroitin sulfate)

**Breast Reliever**

Plasticised PVC polymer bulb with glass or polycarbonate receiver 60ml approx 5.20

**Breast Shields**

Plastic circular - (Not to be confused with Nipple Shields) **Per Pair** 4.88

**Cellulose Wadding, BP 1988**

**Cellosene** 500g 2.20

**Cervical Collars****Clini Cervical Collar**

|               |        |      |
|---------------|--------|------|
| Small (44cm)  | OA8009 | 2.46 |
| Medium (48cm) | OA8016 | 2.46 |
| Large (53cm)  | OA8023 | 2.46 |

**Eesiness Soft Cervical Foam Collar**

|        |          |      |
|--------|----------|------|
| Small  | 23562000 | 2.62 |
| Medium | 23562100 | 2.62 |
| Large  | 23562200 | 2.62 |

**\* to be deleted 1 November 2021**

**+ to be deleted 1 December 2021**

**Chiropody Appliances**

|  |                              |            |
|--|------------------------------|------------|
| <b>Adhesive Felt</b>   | 10.5cm x 8.3cm x 5mm thick   | 1.10       |
| Zinc oxide or acrylic adhesive spread on semi-compressed surgical wool felt (each in envelope) | 10.00cm x 22.5cm x 5mm thick | 2.22       |
| <b>Animal Wool BP 1988</b>   | 25g                          | 1.05       |
| (Syn. Animal Wool for Chiropody)   |                              |            |
| (Long Strand Lamb's Wool for Chiropody)  |                              |            |
|  |                              | <b>Box</b> |
| <b>Bunion Rings</b>  |                              | 1.07       |
| Self-adhesive, semi-compressed felt (in box of 4 pieces)                                       |                              |            |
| <b>Corn Rings</b>  | 5mm thick                    | 1.07       |
| Self-adhesive, semi-compressed felt (in box of 9 pieces)                                       |                              |            |

**Contraceptive Devices****Intrauterine Contraceptive Device**

Each of the products is unique and patients should be individually assessed to ascertain the most suitable device. Insertion techniques differ significantly between devices and practitioners should ensure they are proficient in the technique required for a device before fitting it, and undertake training as appropriate.

|   |  |       |
|---|--|-------|
| <b>Ancora 375 Cu</b>                              |  | 7.95  |
| <b>Copper T380 A</b>                              |  | 8.95  |
| <b>Flexi-T 300</b>                                |  | 9.47  |
| <b>Flexi-T+380</b>                                |  | 10.06 |
| <b>GyneFix intrauterine contraceptive implant</b> |  | 27.11 |
| <b>Load 375</b>                                   |  | 8.52  |
| <b>Mini TT380 Slimline</b>                        |  | 12.46 |
| <b>Multiload CU 375</b>                           |  | 9.24  |
| <b>Multi-Safe 375</b>                             |  | 8.96  |
| <b>Neo-Safe T380</b>                              |  | 13.40 |
| <b>Nova-T 380</b>                                 |  | 15.20 |
| <b>Novaplus T380 Ag (Normal, Mini)</b>            |  | 12.50 |
| <b>Novaplus T380 Cu (Normal,Mini)</b>             |  | 10.95 |
| <b>Optima Tcu380A</b>                             |  | 9.65  |
| <b>Steriload</b>                                  |  | 9.65  |
| <b>T-Safe 380A QL</b>                             |  | 10.55 |
| <b>TT380 Slimline</b>                             |  | 12.46 |
| <b>UT380 Short</b>                                |  | 11.22 |
| <b>UT380 Standard</b>                             |  | 11.22 |

(NOTE: Prescribers have been advised that pain during and after insertion of Multiload CU250 or Multiload CU250 Short, Multiload CU375 or Multi-Safe 375 is more likely to occur in nulliparous than in parous women.)

\*\* To be supplied in individual sealed carton containing the sealed and sterilised pack as received from the manufacturer or wholesaler.

**Vaginal Contraceptive Caps (Pessaries)**

The size of the pessary and the type must be specified by the prescriber.

Silicone

CE Marked

|                                 |                   |       |
|---------------------------------|-------------------|-------|
| <b>FemCap Soft Silicone Cap</b> | 22mm, 26mm & 30mm | 15.29 |
|---------------------------------|-------------------|-------|

**Cotton Wools**

See **Absorbent Cottons**

**Cycloidal Vibration Accessories**

**Vibro-Pulse**

**Pack of 3**  
15.00

**Detection Sensor, Interstitial Fluid For Glucose**

|  |   |             |
|--|---|-------------|
| <b>FreeStyle Libre Sensor</b>            |   | <b>each</b> |
| (contains 1 sensor, 1 sensor applicator) | 1 | 35.00       |
| <b>FreeStyle Libre 2 Sensor</b>          |   |             |
| (contains 1 sensor, 1 sensor applicator) | 1 | 35.00       |

**Devices for Adjunctive Treatment of Hypertension**

|                  |  |             |
|------------------|--|-------------|
| <b>ReSPeRATE</b> |  | <b>each</b> |
|                  |  | 132.00      |

**Devices For Fungal Nail Infections**

|   |      |       |
|---|------|-------|
| <b>Canespro Fungal Nail Treatment Set</b> |      | 18.74 |
| <b>Emtrix</b>                             | 15ml | 10.00 |

**Douches****Vaginal fittings**

|   |         |                     |
|---|---------|---------------------|
| Douche can and fittings white polypropylene, complete with two piece fittings, tube and instructions, singly packed - no rectal fittings) | 1 litre | <b>each</b><br>5.17 |
|---|---------|---------------------|

**Droppers**

|   |  |      |
|---|--|------|
| Glass, with bull-nose or curved flat end and fitted with good quality rubber teat (each in box). Where appropriate, a dropper should be supplied with eye, ear and nasal drops (see Part V, CONTAINERS) |  | 0.37 |
|---|--|------|

**Dry Mouth Products**

Saliva Replacement and Stimulating Products

|   |                     |       |
|---|---------------------|-------|
| <b>AS Saliva Orthana Spray</b>                            | 50ml                | 4.92  |
|   | 500ml refill bottle | 34.27 |
| <b>Aequasyl Spray</b>                                     | 40ml                | 9.85  |
| <b>Biotene Moisturising Mouthwash</b>                     | 500ml               | 5.67  |
| <b>Biotene Oralbalance Gel</b>                            | 50g                 | 4.46  |
| <b>BioXtra Dry Mouth Gel Mouthspray</b>                   | 50ml                | 3.98  |
| <b>BioXtra Dry Mouth Mild Toothpaste</b>                  | 50ml tube           | 2.83  |
| <b>BioXtra Dry Mouth Oral Gel</b>                         | 40ml                | 3.98  |
| <b>BioXtra Dry Mouth Ultra Mild Mouthrinse</b>            | 250ml bottle        | 3.72  |
| <b>Glandosane Spray</b>                                   | 50ml                | 5.68  |
| <b>Oralieve Moisturising Mouth Gel</b>                    | 50ml                | 2.96  |
| <b>Oralieve Moisturising Mouth Spray</b>                  | 50ml                | 4.95  |
| <b>Saliveze Mouth Spray</b>                               | 50ml                | 3.50  |
| <b>Salivix</b>  | 50 pastilles        | 3.64  |
| <b>Salivix Plus</b>                                       | 50 pastilles        | 3.55  |
| <b>Salivix Spray</b>                                      | 50ml                | 4.90  |
| <b>SST Saliva Stimulating Tablets (see also Part IXa)</b> | container of 100    | 4.86  |
| <b>Xerostom Mouthwash</b>                                 | 250ml bottle        | 3.13  |
| <b>Xerostom Pastilles</b>                                 | 30 pastilles        | 2.85  |
| <b>Xerostom Salvia Substitute Chewable Capsules</b>       | 40 capsules         | 3.42  |
| <b>Xerostom Salvia Substitute Gel</b>                     | 25ml                | 2.28  |
| <b>Xerostom Toothpaste</b>                                | 50ml tube           | 2.85  |
| <b>Xerotin Spray</b>                                      | 100ml               | 6.86  |

**Ear Drops To Treat Otitis Externa****Ear Drops - Burow's Solution BP**

|               |      |      |
|---------------|------|------|
| Otinova Spray | 15ml | 8.74 |
|---------------|------|------|

**Ear Wax Softening Medical Device****Ear Drops - Olive Oil**

|                   |      |      |
|-------------------|------|------|
| Alissa Healthcare | 10ml | 1.42 |
|-------------------|------|------|

|       |      |      |
|-------|------|------|
| Arjun | 10ml | 1.26 |
|-------|------|------|

|                                 |      |      |
|---------------------------------|------|------|
| Bell, Sons & Co (Druggists) Ltd | 10ml | 1.42 |
|---------------------------------|------|------|

|                        |      |      |
|------------------------|------|------|
| Care (Thornton & Ross) | 10ml | 1.42 |
|------------------------|------|------|

|                    |      |      |
|--------------------|------|------|
| KliarVax Olive Oil | 10ml | 0.97 |
|--------------------|------|------|

|        |      |      |
|--------|------|------|
| Numark | 15ml | 0.92 |
|--------|------|------|

|                   |      |      |
|-------------------|------|------|
| Otadrop Olive Oil | 10ml | 0.80 |
|-------------------|------|------|

|              |      |      |
|--------------|------|------|
| Sai-Meds Ltd | 10ml | 1.35 |
|--------------|------|------|

|                        |      |      |
|------------------------|------|------|
| St Georges Medical Ltd | 10ml | 1.40 |
|------------------------|------|------|

|  |      |      |
|--|------|------|
|  | 20ml | 2.70 |
|--|------|------|

**Ear Drops - Sodium Bicarbonate**

|                   |      |      |
|-------------------|------|------|
| Alissa Healthcare | 10ml | 1.25 |
|-------------------|------|------|

|                                 |      |      |
|---------------------------------|------|------|
| Bell, Sons & Co (Druggists) Ltd | 10ml | 1.25 |
|---------------------------------|------|------|

|                             |      |      |
|-----------------------------|------|------|
| KliarVax Sodium Bicarbonate | 10ml | 0.97 |
|-----------------------------|------|------|

|              |      |      |
|--------------|------|------|
| Sai-Meds Ltd | 10ml | 1.23 |
|--------------|------|------|

|                 |      |      |
|-----------------|------|------|
| Thornton & Ross | 10ml | 1.25 |
|-----------------|------|------|

**Elastic Hosiery****Graduated Compression Hosiery****Explanation of garments available****Class I**

- Light (Mild) Support  
 Compression at ankle 14mm Hg - 17mm Hg  
 Indications: Superficial or early Varices. Varicosis during pregnancy  
 Styles: Thigh length/below knee with knitted in heel (reciprocated)

**Class II**

- Medium (Moderate) Support  
 Compression at ankle 18mm Hg - 24mm Hg  
 Indications: Varices of medium severity  
 Ulcer treatment and prevention of recurrence  
 Mild oedema  
 Varicosis during pregnancy

- Styles: Ankle and kneecaps: for soft tissue support  
 Thigh length/below knee with knitted in heel (reciprocated)

**Class III**

- Strong Support  
 Compression at ankle 25mm Hg - 35mm Hg  
 Indications: Gross Varices  
 Post-Thrombotic Venous Insufficiency  
 Gross oedema  
 Ulcer Treatment and prevention of recurrence  
 Ankle and kneecaps: for soft tissue support  
 Styles: Thigh length/below knee open or knitted in heel (reciprocated)

**General Notes****Prescribing**

Before the prescription can be dispensed the following details must be given to the prescriber.

1. Quantity - Single or Pair
2. Article including any accessories
3. Compression Class I, II or III

**Constructional Specification**

The Complete Structural Specification, as well as performance requirements are contained in the Drug Tariff Technical Specification 40.

**Specially Made Garments**

1. In cases where stock sizes are not suitable for patients owing to irregular limb dimensions, surgical stockings in the prescribed compression class, to be made to the patient's individual measurements should be specified.
2. All such garments are specially shaped during manufacture and may have a knitted-in or open heel and open or knitted in toe.

**Sizing**

All articles must conform to BS 6612: 1985 with regard to size designation.

**Labelling**

All articles must state clearly on the packaging that they conform to the Drug Tariff Technical Specification 40. The packaging should also provide clear washing instructions in conformity with handwashing at 40°C as defined in BS 2747 and washing instructions should be durably and clearly marked on each garment. The packaging should clearly define the garments' percentage fibre content.

**Elastic Hosiery cont**

## DESCRIPTION OF ARTICLES AVAILABLE

| Compression Class | Type of Garment |              | Standard Stock Sized Garments | Made to Measure Garments |
|-------------------|-----------------|--------------|-------------------------------|--------------------------|
|                   | <i>Knit</i>     | <i>Style</i> | <b>Price Per Pair</b>         | <b>Price Per Pair</b>    |
| <b>CLASS I</b>    | Circular        | Thigh        | 8.67                          | 45.91                    |
|                   |                 | B Knee       | 7.92                          | 28.72                    |
| <b>CLASS II</b>   | Circular        | Thigh        | 12.89                         | 45.91                    |
|                   |                 | B Knee       | 11.59                         | 28.72                    |
|                   | ✱ Net           | Thigh        |                               | 23.23                    |
|                   |                 | B Knee       |                               | 18.13                    |
|                   | Flat Bed        | Thigh        |                               | 45.91                    |
|                   |                 | B Knee       |                               | 28.72                    |
| <b>CLASS III</b>  | Circular        | Thigh        | 15.28                         | 45.91                    |
|                   |                 | B Knee       | 13.13                         | 28.72                    |
|                   | Flat Bed        | Thigh        |                               | 45.91                    |
|                   |                 | B Knee       |                               | 28.72                    |

| <b>Accessories</b>                                  |               | <b>Price Per Item</b> |
|---|---------------|-----------------------|
| Acti-Glide  |               | 15.22                 |
| Additional Price for Fitted Suspender               |               | 0.76                  |
| Arm Butler  |               | 8.00                  |
| Compressana Easy                                    |               | 12.24                 |
| Easy-Slide (application aid for Open toe Stockings) | S,M,L,XL      | 12.98                 |
| EZY-As compression hosiery applicator               |               | 34.67                 |
| EZY-As compression hosiery applicator handles       |               | 16.32                 |
| Foot Butler   |               | 8.00                  |
| GUS Comfort   |               | 15.03                 |
| Juzo Easy Fit                                       |               | 35.40                 |
| Juzo Easy Fit XL                                    |               | 35.40                 |
| Magnide   | M,L           | 14.92                 |
| medi Arm Butler                                     |               | 35.02                 |
| medi Big Butler                                     |               | 35.02                 |
| medi Export Butler                                  |               | 35.02                 |
| Mediven 2 in 1                                      |               | 13.38                 |
| Neo-Slip  | (S,M,L)       | 7.11                  |
| Rolly   |               | 29.75                 |
| Sigvaris Melany (formerly Sigvaris Simon)           | (XS, S, M, L) | 43.04                 |
| Sockaid   |               | 13.73                 |
| Spare Suspender for Thigh Stockings                 |               | 0.76                  |
| Steve+ easyON                                       | (XS, S, M, L) | 31.90                 |
| Steve+ Handles                                      | (XS, S, M, L) | 15.90                 |
| Steve+ Ring   | (XS, S, M, L) | 14.45                 |
| Steve Glide Dolphin (for open toe)                  | (S,L)         | 9.99                  |
| Suspender Belt Drug Tariff Specification No. 13     |               | 5.78                  |
| VenoTrain Glider                                    |               | 9.90                  |
| VenoTrain Glider Plus                               |               | 29.60                 |

✱ to be deleted 1 November 2021

**Elastic Hosiery cont**

NB The reimbursable price for one item is half the price of a pair.  
More than one prescription charge is payable where more than one piece of elastic hosiery is supplied.

\*All such garments are specifically shaped during manufacture and may have a knitted in or open heel or knitted in toe with the following exceptions:-

Class II/III - Flat bed knit can only be supplied with closed heel and open toe.

NOTE: Prescriptions should be endorsed with the style, i.e. fabric or knit supplied.  
For Above Knee Stockings - see Thigh Length

| Compression Class | Type of Garment |                | Standard Stock Sized Garments | Made to Measure Garments |
|-------------------|-----------------|----------------|-------------------------------|--------------------------|
|                   | <i>Knit</i>     | <i>Style</i>   | Price Per Pair                | Price Per Pair           |
| <b>Class II</b>   | <b>Circular</b> | <b>Anklet</b>  | 7.59                          | 7.59                     |
|                   |                 | <b>Kneecap</b> | 7.59                          |                          |
|                   | <b>Flat Bed</b> | <b>Anklet</b>  | 15.77                         | 16.81                    |
|                   |                 | <b>Kneecap</b> | 15.77                         | 16.81                    |
|                   |                 | <b>* Net</b>   | <b>Anklet</b>                 |                          |
|                   |                 | <b>Kneecap</b> |                               | 12.39                    |
| <b>Class III</b>  | <b>Circular</b> | <b>Anklet</b>  | 10.59                         | 10.59                    |
|                   |                 | <b>Kneecap</b> | 10.12                         | 10.12                    |
|                   | <b>Flat Bed</b> | <b>Anklet</b>  | 10.59                         | * 16.81                  |
|                   |                 | <b>Kneecap</b> | 10.12                         | * 16.81                  |

NB The reimbursable price for one item is half the price of a pair.  
More than one prescription charge is payable when more than one piece of elastic hosiery is supplied.

**Hosiery Made To Individual Measurements**

1. Surgical Stockings made to the patient's individual measurements are available in all 3 compression classes and should be specified or supplied whenever irregular limb dimensions are present and cannot be fitted with stock sizes.
2. All garments are specially shaped during manufacture and must have a knitted-in or open heel and open toe.
3. Seams and finishes must be designed to form no restrictions and must be flat and soft against the limb.

**Manufacturing Guidelines For Made To Measure Garments**

1. Class I and Class II hosiery can be made using the following methods:
  - a. Manufactured from open mesh elastic net fabric, cut to shape and seamed.
  - b. Shaped or fashioned to individual requirements containing knitted, or knitted and inlaid, elastomeric threads.
2. Class III hosiery can be made as follows:  
Shaped or fashioned to individual requirements with knitted, or knitted and inlaid, elastomeric threads.

NB Elastodiene and elastane threads must be covered for knitting yarns. In the case of hosiery made with inlaid elastomeric threads they may remain uncovered.

**Electrical Stimulation Wound Device****Accel-Heal**

**per pack**  
6 unit 240.00

**\* to be deleted 1 November 2021**



**Emollient And Barrier Preparations**

|   |               |       |            |
|---|---------------|-------|------------|
| AproDerm Colloidal Oat Cream                        | 100ml         | 2.74  |            |
|   | 500ml pump    | 5.80  |            |
| AproDerm Emollient Cream                            | 50g           | 1.70  |            |
|   | 500g pump     | 4.95  |            |
| AproDerm Emollient Starter Pack                     | 300g          | 6.99  | <b>NEW</b> |
| AproDerm Gel  | 100g          | 1.99  |            |
|   | 500g          | 3.99  |            |
| AproDerm Ointment                                   | 50g           | 1.45  |            |
|   | 500g          | 3.95  |            |
| AquaDerm Aqueous Cream                              | 100g          | 0.79  |            |
|   | 500g          | 3.99  |            |
| AquaDerm Cetomacrogol Cream (Formula A)             | 500g          | 2.99  |            |
| AquaDerm Hydrous Ointment                           | 500g          | 4.15  |            |
| AquaDerm Liquid Paraffin 50% in White Soft Paraffin | 250g          | 1.75  |            |
|   | 500g          | 3.49  |            |
| Aquamax Cream                                       | 100g          | 1.89  |            |
|   | 500g          | 3.99  |            |
| Aquamax Wash  | 250g          | 2.99  |            |
| AriPro  | 250ml Aerosol | 7.50  |            |
| Cetraben Cream                                      | 50g           | 1.40  |            |
|   | 150g          | 3.98  |            |
|   | 500g          | 5.99  |            |
|   | 1050g         | 11.62 |            |
| Cetraben Lotion                                     | 200ml         | 4.00  |            |
|   | 500ml         | 5.64  |            |
| Cetraben Ointment                                   | 125g          | 3.49  |            |
|   | 450g          | 5.39  |            |
| Dermipar Ointment                                   | 500g          | 4.92  |            |
| Dexeryl Cream                                       | 250g          | 3.16  |            |
|   | 500g          | 5.90  |            |
| Diprobace Cream                                     | 50g           | 1.28  |            |
|   | 500g pump     | 6.32  |            |
| Diprobace Lotion                                    | 50ml          | 1.28  |            |
|   | 300ml         | 3.49  |            |
| Doublebase Once                                     | 100g          | 2.69  | <b>NEW</b> |
| E45 Eczema Repair                                   | 200ml         | 4.49  |            |

**Emollient And Barrier Preparations cont.**

|   |               |        |
|---|---------------|--------|
| <b>Emelpin Ointment</b>                       | 125g          | 3.08   |
|   | 500g          | 3.97   |
| <b>Emollin</b>                                | 240ml Aerosol | 6.56 ↑ |
| <b>EmulsifEss Ointment</b>                    | 500g          | 3.97   |
| <b>Enopen Cream</b>                           | 50g           | 1.40   |
|   | 150g          | 3.98   |
|   | 500g          | 5.99   |
|   | 1050g         | 11.62  |
| <b>Epaderm Cream</b>                          | 50g pump      | 1.71   |
|   | 150g pump     | 3.58   |
|   | 500g pump     | 7.01   |
| <b>Epaderm Junior Cream</b>                   | 50g pump      | 1.70   |
|   | 150g pump     | 3.58   |
| <b>Epaderm Junior Ointment</b>                | 125g          | 3.85   |
| <b>Epaderm Ointment</b>                       | 125g          | 3.88   |
|   | 500g          | 6.58   |
|   | 1kg           | 12.42  |
| <b>Epimax excetra Cream</b>                   | 100g          | 1.75   |
|   | 500g          | 2.95   |
| <b>Epimax isomol Gel</b>                      | 100g          | 1.99   |
|   | 500g          | 2.92   |
| <b>Epimax moisturising Cream</b>              | 100g          | 1.99   |
|   | 500g          | 2.99   |
| <b>Epimax oatmeal Cream</b>                   | 100g          | 1.99   |
|   | 500g          | 2.99   |
| <b>Epimax Ointment</b>                        | 125g          | 1.92   |
|   | 500g          | 2.99   |
| <b>Epimax original Cream</b>                  | 100g          | 0.75   |
|   | 500g          | 2.49   |
| <b>Epimax Paraffin-Free Ointment</b>          | 500g          | 4.99   |
| <b>ExCetra Cream</b> see Epimax excetra Cream |               |        |
| <b>Exmabase Gel</b>                           | 500g          | 2.85   |
| <b>Exmaben Cream</b>                          | 500g          | 4.25   |
| <b>Exmalatum Cream</b>                        | 500g          | 4.45   |
| <b>ExmaQS</b>                                 | 500g          | 2.95   |
| <b>ExoCream</b>                               | 50g           | 1.05   |
|   | 125g          | 2.33   |
|   | 350g          | 4.17   |
|   | 500ml pump    | 3.99   |

**Emollient And Barrier Preparations cont.**

|  |            |       |
|--|------------|-------|
| <b>Fifty:50 Ointment</b>   | 250g       | 1.83  |
|  | 500g       | 3.66  |
| <b>Hydromol Bath &amp; Shower Emollient</b>                            | 350ml      | 3.91  |
|  | 500ml      | 4.46  |
|  | 1L         | 8.87  |
| <b>Hydromol Ointment</b>   | 100g tube  | 3.20  |
|  | 125g       | 2.92  |
|  | 500g       | 4.96  |
|  | 1kg        | 8.31  |
| <b>HypoBase Gel</b>  | 500g pump  | 5.83  |
| <b>isomol Gel</b> see Epimax isomol Gel                                |            |       |
| <b>KreaMoint 50:50 Ointment</b>  | 500g       | 3.17  |
| <b>KreaMol A Cream</b>   | 500g       | 2.79  |
| <b>LPL 63.4 bath additive and emollient</b>                            | 500ml      | 3.13  |
| <b>Miclaro Oat Cream</b>   | 300ml      | 3.80  |
|  | 500ml      | 3.99  |
| <b>Miclaro Oat Lotion</b>  | 500ml      | 3.99  |
| <b>MyriBase Emollient Shower Gel</b>                                   | 200ml      | 4.17  |
| <b>MyriBase Gel</b>  | 100g       | 2.12  |
|  | 500ml pump | 4.66  |
| <b>Ovelle Cetomacrogol Cream (Formula A)</b>                           | 500g       | 2.99  |
| <b>Ovelle Emulsifying Ointment</b>                                     | 500g       | 4.15  |
| <b>Pure Health Liquid Paraffin 50% in White Soft Paraffin Ointment</b> | 500g       | 3.66  |
| <b>QV Bath Oil</b>   | 250ml      | 2.93  |
|  | 500ml      | 4.79  |
| <b>QV Cream</b>  | 100g       | 2.08  |
|  | 500g       | 5.96  |
|  | 1050g      | 12.14 |
| <b>QV Gentle Wash</b>  | 250ml      | 3.19  |
|  | 500ml      | 5.32  |
| <b>QV Intensive Ointment</b>   | 450g       | 5.75  |
| <b>QV Skin Lotion</b>  | 250ml      | 3.19  |
|  | 500ml      | 5.32  |
| <b>Remedy Moisturiser</b>  | 118ml tube | 2.40  |

## Emollient And Barrier Preparations cont.

|   |            |       |            |
|---|------------|-------|------------|
| Soffen Cream                                      | 500g       | 4.79  |            |
| Thirty:30 Ointment                                | 125g       | 3.81  |            |
|   | 250g       | 4.29  |            |
|   | 500g       | 6.47  |            |
| Ultrabase Cream                                   | 500ml pump | 7.01  | <b>NEW</b> |
| ZeroAQS Cream                                     | 500g       | 3.29  |            |
| Zerobase Cream                                    | 50g        | 1.04  |            |
|   | 500g       | 5.26  |            |
| Zerocream   | 50g        | 1.17  |            |
|   | 500g       | 4.08  |            |
| Zeroderm Ointment                                 | 125g       | 2.41  |            |
|   | 500g       | 4.10  |            |
| Zerodouble Gel                                    | 100g       | 2.25  |            |
|   | 500g       | 4.90  |            |
| Zeroguent Cream                                   | 100g       | 2.33  |            |
|   | 500g       | 6.99  |            |
| Zerolatum Emollient Bath Additive                 | 500ml      | 4.79  |            |
| Zeroneum Bath Additive                            | 500ml      | 4.48  |            |
| Zeroveen  | 100g       | 2.74  |            |
|   | 500g       | 5.89  |            |
| <b>Preparations containing Menthol</b>            |            |       |            |
| AquaSoothe 1%                                     | 100g       | 3.70  |            |
|   | 500g       | 15.43 |            |
| AquaSoothe 2%                                     | 50g        | 1.86  |            |
|   | 500g       | 15.43 |            |
| Arjun Cream 0.5%                                  | 500g       | 15.30 |            |
| Arjun Cream 1%                                    | 100g       | 3.25  |            |
|   | 500g       | 15.30 |            |
| Arjun Cream 2%                                    | 500g       | 15.30 |            |
| <b>Preparations containing Nicotinamide</b>       |            |       |            |
| Adex Gel  | 100g       | 2.69  |            |
|   | 500g pump  | 5.99  |            |
| <b>Preparations containing Sodium Hyaluronate</b> |            |       |            |
| Atopiclair  | 40ml       | 6.20  |            |
|   | 100ml      | 12.40 |            |
| Atopiclair Lotion                                 | 120ml      | 14.80 |            |
| Xclair  | 50g        | 17.00 |            |
| <b>Preparations containing Sodium Pidolate</b>    |            |       |            |
| Hydromol Cream                                    | 50g        | 2.28  |            |
|   | 100g       | 4.26  |            |
|   | 500g       | 12.41 |            |

**Emollient And Barrier Preparations cont.****Preparations containing Urea**

|  |           |       |
|--|-----------|-------|
| <b>Aquadrate Cream</b>                                 | 30g       | 1.64  |
|  | 100g      | 4.45  |
| <b>Balneum Cream</b>                                   | 50g pump  | 2.85  |
|  | 500g pump | 9.97  |
| <b>ClearZal Hard Skin Remover</b>                      | 100g      | 4.30  |
| <b>Dermatonics Dry Skin Balm</b>                       | 200ml     | 5.75  |
|  | 500ml     | 11.75 |
| <b>Dermatonics Once Callus Removing Balm</b>           | 75ml      | 3.80  |
|  | 200ml     | 9.50  |
| <b>Dermatonics Once Heel Balm</b>                      | 75ml      | 3.60  |
|  | 200ml     | 8.50  |
| <b>Flexitol 10% Urea Cream</b>                         | 150g      | 5.00  |
|  | 500g      | 11.77 |
| <b>Flexitol 25% Urea Heel Balm</b>                     | 40g       | 2.75  |
|  | 75g       | 3.80  |
|  | 200g      | 9.40  |
|  | 500g      | 14.75 |
| <b>Flexitol Hand balm</b>                              | 75g       | 3.50  |
| <b>Flexitol Skin Balm</b>                              | 100g      | 4.50  |
|  | 200g      | 8.20  |
| <b>Footmender All in One Diabetic</b>                  | 150ml     | 15.00 |
| <b>GlucorX Allpresan diabetic foam cream Basic</b>     | 125ml     | 5.50  |
|  | 300ml     | 9.75  |
| <b>GlucorX Allpresan diabetic foam cream Intensive</b> | 125ml     | 5.50  |
|  | 300ml     | 9.75  |
| <b>Hydromol Intensive Cream</b>                        | 30g       | 1.67  |
|  | 100g      | 4.45  |
| <b>imuDERM emollient</b>                               | 500g pump | 6.71  |
| <b>Ultraveen Itch Relief Cream</b>                     | 125ml     | 3.49  |
|  | 500ml     | 11.05 |

**Preparations for the treatment of Radiation Induced Dermatitis**

|                    |          |       |
|--------------------|----------|-------|
| <b>Flamigel RT</b> | 100g     | 13.82 |
|                    | 250g     | 19.98 |
| <b>R1 gel</b>      | 30 x 6g  | 18.20 |
| <b>R2 lotion</b>   | 168 x 1g | 24.15 |

**Symptomatic Relief of Chickenpox**

|                            |     |      |
|----------------------------|-----|------|
| <b>Care ViraSoothe Gel</b> | 50g | 3.34 |
|                            | 75g | 4.86 |

**Eye Products****Artificial Eye Lubricant**

|              |          |      |      |
|--------------|----------|------|------|
| <b>Opsil</b> | Standard | 15ml | 5.22 |
|              | Thick    | 15ml | 5.22 |

**Eye Baths**

|   |  |  |      |
|---|--|--|------|
| Squat shape, with finger grips, rigid plastics smooth inner surface and base, and rounded rim |  |  | 0.27 |
|---|--|--|------|

**Eye Compress**

|                               |  |   |       |
|-------------------------------|--|---|-------|
| <b>Clinitas Eye Compress</b>  |  | 1 | 7.49  |
| <b>Meibopatch</b>             |  | 1 | 9.80  |
| <b>MGRx EyeBag</b>            |  | 1 | 10.00 |
| <b>Optase Moist Heat Mask</b> |  | 1 | 5.53  |

**Eye Drops – Carmellose**

|   |   |  |       |
|---|---|--|-------|
| <b>Aqualube 0.5%</b>                        | (10ml Bottle)                                   |  | 2.58  |
| <b>Carmellose 0.5% (Alissa Healthcare)</b>  | (10ml Bottle)                                   |  | 7.49  |
|   | (30 x 0.4ml single dose unit)                   |  | 5.75  |
| <b>Carmellose 0.5% (Medicom Healthcare)</b> | (10ml Bottle)                                   |  | 7.49  |
|   | (30 x 0.4ml single dose unit)                   |  | 5.75  |
| <b>Carmellose 1% (Medicom Healthcare)</b>   | (30 x 0.4ml single dose unit)                   |  | 3.00  |
| <b>Carmize 0.5%</b>                         | (10ml bottle)                                   |  | 7.49  |
|   | (30 x 0.4ml preservative free single dose unit) |  | 5.75  |
|   | (90 x 0.4ml preservative free single dose unit) |  | 15.53 |
| <b>Carmize 1%</b>                           | (10ml bottle)                                   |  | 8.49  |
|   | (30 x 0.4ml preservative free single dose unit) |  | 3.00  |
|   | (60 x 0.4ml preservative free single dose unit) |  | 6.00  |
| <b>Cellusan 1%</b>                          | (10ml preservative free bottle)                 |  | 4.80  |
|   | (30 x 0.4ml preservative free single dose unit) |  | 3.00  |
| <b>Cellusan Light 0.5%</b>                  | (10ml preservative free bottle)                 |  | 4.80  |
|   | (30 x 0.4ml preservative free single dose unit) |  | 4.80  |
| <b>Evolve Carmellose 0.5%</b>               | (10ml preservative free bottle)                 |  | 4.99  |
| <b>Evolve Carmellose Dual 0.5%</b>          | (10ml preservative free bottle)                 |  | 4.99  |
| <b>Lumecare Advance Carmellose 0.5%</b>     | (10ml Bottle)                                   |  | 6.14  |
| <b>Lumecare Singles Carmellose 0.5%</b>     | (30 x 0.4ml single dose unit)                   |  | 3.41  |
| <b>Ocu-Lube Carmellose 0.5%</b>             | (10ml preservative free bottle)                 |  | 7.49  |
|   | (30 x 0.4ml preservative free single dose unit) |  | 5.65  |
| <b>Ocu-Lube Carmellose 1%</b>               | (10ml preservative free bottle)                 |  | 7.49  |
| <b>Opho-Lique 0.5%</b>                      | (10ml bottle)                                   |  | 3.73  |
| <b>Opho-Lique Forte 1%</b>                  | (10ml bottle)                                   |  | 3.97  |
| <b>Optive 0.5%</b>                          | (10ml bottle)                                   |  | 7.49  |
| <b>Optive Plus 0.5%</b>                     | (10ml bottle)                                   |  | 7.49  |
| <b>PF Drops Carmellose 0.5%</b>             | (10ml preservative free bottle)                 |  | 7.49  |
| <b>PF Drops Carmellose 1%</b>               | (10ml preservative free bottle)                 |  | 7.49  |
| <b>Tearvis 0.5%</b>                         | (10ml bottle)                                   |  | 7.49  |
| <b>Tearvis 1%</b>                           | (10ml bottle)                                   |  | 8.49  |
| <b>VisuXL Gel</b>                           | (10ml preservative free bottle)                 |  | 7.49  |
| <b>VIZcellose 0.5%</b>                      | (10ml preservative free bottle)                 |  | 2.88  |
| <b>VIZcellose 1%</b>                        | (10ml preservative free bottle)                 |  | 1.82  |
| <b>Xailin Fresh 0.5%</b>                    | (30 x 0.4ml preservative free single dose unit) |  | 4.01  |

**Eye Products cont****Eye Drops – Dispensers**

|                    |                                     |      |
|--------------------|-------------------------------------|------|
| ComplEye           |                                     | 2.00 |
| eyGuide            |                                     | 4.95 |
| Opticare           | (for 2.5, 5, 10, 15 & 20ml bottles) | 4.95 |
| Opticare Arthro 5  | (for 2.5 & 5ml bottles)             | 4.95 |
| Opticare Arthro 10 | (for 10, 15 & 20ml bottles)         | 4.95 |

**Eye Drops - Hydroxypropyl Guar**

|                   |                               |      |
|-------------------|-------------------------------|------|
| Systane           | (28 x 0.8ml single dose unit) | 4.66 |
|                   | (10ml bottle)                 | 4.66 |
| Systane Gel Drops | (10ml bottle)                 | 7.49 |
| Systane Balance   | (10ml bottle)                 | 7.49 |
| Systane Ultra     | (30 x 0.7ml single dose unit) | 6.69 |
|                   | (10ml bottle)                 | 6.69 |
| Tearmos           | (10ml bottle)                 | 4.50 |

**Eye Drops – Hypromellose**

|                                       |   |      |
|---------------------------------------|---|------|
| AddTear                               | (30 x 0.5ml preservative free single dose unit) | 4.19 |
| Evolve Hypromellose 0.3%              | (10ml preservative free bottle)                 | 1.98 |
| Hydromoor                             | (30 x 0.4ml single dose unit)                   | 5.75 |
| Hypromellose 0.3% (Alissa Healthcare) | (10ml preservative free bottle)                 | 5.75 |
| Hypromellose 0.3% (Sai-Meds Ltd)      | (10ml bottle)                                   | 0.99 |
| Hypromellose 0.5% (Sai-Meds Ltd)      | (10ml bottle)                                   | 0.81 |
| Hypromol                              | (10ml preservative free bottle)                 | 4.55 |
| Lumecare Hypromellose 0.3% Eye Drops  | (10ml bottle)                                   | 1.71 |
| Lumecare Singles Hypromellose 0.3%    | (30 x 0.5ml preservative free single dose unit) | 4.71 |
| Lumecare Tear Drops                   | (10ml bottle)                                   | 0.80 |
| Mandanol                              | (10ml bottle)                                   | 1.33 |
| Ocufresh                              | (10ml bottle)                                   | 1.50 |
| Ocu-Lube                              | (10ml preservative free bottle)                 | 5.75 |
| PF Drops Hypromellose 0.3%            | (10ml preservative free bottle)                 | 5.75 |
| Teardew 0.3%                          | (10ml bottle)                                   | 0.99 |
| Teardew 0.5%                          | (10ml bottle)                                   | 1.17 |
| Tear-Lac Hypromellose 0.3%            | (10ml preservative free bottle)                 | 5.80 |
| Xailin Hydrate                        | (10ml bottle)                                   | 4.80 |

**Eye Drops - Oil Emulsions**

|           |                                 |      |
|-----------|---------------------------------|------|
| Cationorm | (10ml preservative free bottle) | 8.70 |
|-----------|---------------------------------|------|

**Eye Drops - Perfluorohexyloctane**

|          |                                |      |
|----------|--------------------------------|------|
| EvoTears | (3ml preservative free bottle) | 9.95 |
|----------|--------------------------------|------|

**Eye Drops - Phospholipids**

|         |                                 |      |
|---------|---------------------------------|------|
| VisuEVO | (10ml preservative free bottle) | 8.70 |
|---------|---------------------------------|------|

**Eye Drops - Polyvinyl Alcohol**

|                    |   |      |
|--------------------|---|------|
| Liquifilm Tears    | 15ml  | 1.93 |
|                    | (30 x 0.4ml preservative free single dose unit) | 5.35 |
| Refresh Ophthalmic | (30 x 0.4ml preservative free single dose unit) | 2.25 |
| Sno Tears 1.4%     | 10ml  | 1.06 |

**Eye Products cont****Eye Drops - Sodium Chloride**

|  |  |       |
|--|--|-------|
| <b>Aeon</b>                                    | (10ml preservative free bottle)                  | 23.00 |
| <b>Hypersal 5%</b>                             | (10ml bottle)                                    | 25.25 |
| <b>NaCl 5%</b> (Essential Pharmaceuticals Ltd) | (20 x 0.45ml preservative free single dose unit) | 14.95 |
| <b>ODM5</b>                                    | (10ml preservative free bottle)                  | 24.00 |
| <b>PF Drops Sodium Chloride 5%</b>             | (10ml preservative free bottle)                  | 25.20 |
| <b>SodiEye 5%</b>                              | (10ml preservative free bottle)                  | 15.98 |
|  | (20 x 0.5ml preservative free single dose unit)  | 17.70 |
| <b>Sodium Chloride 5%</b> (Alissa Healthcare)  | (10ml bottle)                                    | 25.25 |
| <b>Xailin Wash</b>                             | (20 x 5ml preservative free single dose unit)    | 5.83  |

**Eye Drops – Sodium Hyaluronate**

|  |   |       |
|--|---|-------|
| <b>Aeon Protect</b>                      | (10ml bottle)                                   | 4.60  |
| <b>Aeon Protect Plus</b>                 | (10ml preservative free bottle)                 | 7.80  |
| <b>Aeon Repair</b>                       | (10ml preservative free bottle)                 | 4.00  |
| <b>Artelac Rebalance</b>                 | (10ml bottle)                                   | 4.00  |
| <b>Artelac Splash</b>                    | (30 x 0.5ml single dose unit)                   | 7.00  |
|  | (60 x 0.5ml single dose unit)                   | 11.20 |
| <b>Blink Intensive Tears</b>             | (10ml bottle)                                   | 2.97  |
|  | (20 x 0.4ml single dose unit)                   | 2.97  |
| <b>Clinitas 0.2%</b>                     | (30 x 0.5ml preservative free unit dose)        | 5.59  |
| <b>Clinitas 0.4%</b>                     | (30 x 0.5ml preservative free unit dose)        | 5.70  |
| <b>Clinitas Multi 0.2%</b>               | (10ml preservative free bottle)                 | 5.99  |
| <b>Clinitas Multi 0.4%</b>               | (10ml preservative free bottle)                 | 6.99  |
| <b>Evolve HA 0.2%</b>                    | (10ml preservative free bottle)                 | 5.99  |
| <b>Evolve Revive</b>                     | (10ml preservative free bottle)                 | 8.99  |
| <b>Eyeaze 0.1%</b>                       | (10ml preservative free bottle)                 | 4.15  |
| <b>Eyeaze 0.2%</b>                       | (10ml preservative free bottle)                 | 4.15  |
| <b>Eyeaze 0.4%</b>                       | (10ml preservative free bottle)                 | 4.15  |
| <b>Eyezin XL</b>                         | (10ml preservative free bottle)                 | 6.99  |
| <b>Hy-Opti 0.1%</b>                      | (10ml preservative free bottle)                 | 8.50  |
| <b>Hy-Opti 0.2%</b>                      | (10ml preservative free bottle)                 | 9.50  |
| <b>Hyabak</b>                            | (10ml preservative free bottle)                 | 7.99  |
| <b>HydraMed 0.2%</b>                     | (10ml preservative free bottle)                 | 5.60  |
|  | (30 x 0.5ml preservative free single dose unit) | 5.60  |
| <b>HydraMed Forte 0.4%</b>               | (10ml preservative free bottle)                 | 5.60  |
|  | (30 x 0.5ml preservative free single dose unit) | 5.60  |
| <b>Hylo-Care</b>                         | (10ml preservative free bottle)                 | 10.30 |
| <b>Hylo-Dual</b>                         | (10ml preservative free bottle)                 | 9.95  |
| <b>Hylo-Forte 0.2%</b>                   | (10ml preservative free bottle)                 | 9.50  |
| <b>Hylo-Fresh</b>                        | (10ml preservative free bottle)                 | 4.95  |
| <b>Hylo-Tear 0.1%</b>                    | (10ml preservative free bottle)                 | 8.50  |
| <b>Lubristil</b>                         | (20 x 0.3ml preservative free single dose unit) | 4.99  |
| <b>Lubristil Gel</b>                     | (20 x 0.4ml preservative free single dose unit) | 6.49  |
| <b>Ocu-Lube HA 0.1%</b>                  | (10ml preservative free bottle)                 | 8.00  |
| <b>Ocu-Lube HA 0.2%</b>                  | (10ml preservative free bottle)                 | 7.90  |
| <b>Ocusan</b>                            | (20 x 0.5ml single dose unit)                   | 5.54  |
| <b>Oftaox</b>                            | (8ml bottle)                                    | 5.50  |
| <b>Optive Fusion</b>                     | (10ml bottle)                                   | 7.49  |
| <b>Oxyl</b>                              | (10ml bottle)                                   | 4.15  |
| <b>PF Drops Sodium Hyaluronate 0.15%</b> | (10ml preservative free bottle)                 | 6.99  |
| <b>PF Drops Sodium Hyaluronate 0.4%</b>  | (10ml preservative free bottle)                 | 6.99  |
| <b>Thealoz Duo</b>                       | (10ml preservative free bottle)                 | 8.99  |
| <b>Thealoz Duo Gel</b>                   | (30 x 0.4g preservative free single dose unit)  | 6.94  |
| <b>Thealoz Duo UD</b>                    | (30 x 0.4ml preservative free single dose unit) | 7.07  |



**Eye Products cont**

|  |  |       |
|--|--|-------|
| Viscotears HA  | (10ml preservative free bottle)                  | 5.10  |
| Viscotears HA Plus   | (10ml preservative free bottle)                  | 5.70  |
| Vismed   | (20 x 0.3ml preservative free single dose unit)  | 5.14  |
| Vismed Gel   | (20 x 0.45ml preservative free single dose unit) | 6.03  |
| Vismed Gel Multi   | (10ml preservative free bottle)                  | 8.01  |
| Vismed Multi   | (10ml preservative free bottle)                  | 6.87  |
| VisuXL   | (10ml preservative free bottle)                  | 10.30 |
|  | (30 x 0.33ml preservative free single dose unit) | 10.30 |
| VIZhial 0.1%   | (10ml preservative free bottle)                  | 5.10  |
| VIZhial 0.17%  | (10ml preservative free bottle)                  | 5.70  |
| VIZhial 0.4%   | (10ml preservative free bottle)                  | 4.19  |
| Xailin HA  | (10ml bottle)                                    | 7.44  |
| <b>Eye Drops – Soybean Oil</b>   |  |       |
| Emustil  | (20 x 0.3ml preservative free single dose unit)  | 6.22  |
| <b>Eye Gel – Carbomer</b>  |  |       |
| Artelac Nighttime Gel  | (10g tube)                                       | 2.96  |
| Carbomer 0.2% see Ocufresh 0.2% Lubricating Eye Gel  |  |       |
| Carbomer 0.2% (Medicom Healthcare)   | (10g tube)                                       | 2.80  |
| Clinitas Carbomer Gel  | (10g tube)                                       | 1.49  |
| Evolve Carbomer 980  | (10g preservative free bottle)                   | 2.80  |
| Lumecare Carbomer 0.2% Eye Gel   | (10g tube)                                       | 1.55  |
| Ocufresh 0.2% Lubricating Eye Gel  | (10g tube)                                       | 2.80  |
| Ocu-Lube Carbomer 0.2% Eye Gel   | (30 x 0.6ml preservative free single dose unit)  | 5.25  |
| Xailin Gel   | (10g tube)                                       | 3.39  |
| <b>Eye Ointment – Paraffin Based</b>   |  |       |
| HydraMed night   | (5g preservative free tube)                      | 2.32  |
| Hylo Night   | (5g preservative free tube)                      | 2.75  |
| Moistueyes   | (5g preservative free tube)                      | 2.11  |
| Xailin Night   | (5g preservative free tube)                      | 2.60  |
| <b>Eye Ointment – Sodium Chloride</b>  |  |       |
| Sodium Chloride 5% (Alissa Healthcare)   | (5g preservative free tube)                      | 22.50 |
| <b>Eye Ointment – Sodium Hyaluronate</b>   |  |       |
| eyenite  | (5g tube)  | 6.99  |
| <b>Eye Pad</b>   |  |       |
| No. 16 Eye Pad with Bandage BPC, sterile   |  | 0.72  |
| <b>Eye Shades</b>  |  |       |
| Plastic, semi-rigid, non-flammable, perforation along top for ventilation, to fit either eye (individually packed in suitable container) |  | 0.34  |
| <b>Preparations for the care of eyelids</b>  |  |       |
| Blefarette   | 30 wipes   | 8.00  |
| Blefarette Med   | 14 wipes   | 3.74  |
| Blephaclean  | 20 wipes   | 5.40  |
| Evolve eyelid wipes  | 20 sachets                                       | 3.99  |

**Finger Cots**

|                       |           |                        |
|-----------------------|-----------|------------------------|
| <b>Seamless latex</b> | box of 10 | <b>per box</b><br>0.37 |
|-----------------------|-----------|------------------------|

**Finger Stalls**

|                |  |                |                     |
|----------------|--|----------------|---------------------|
| <b>Plastic</b> | Portia Clear – with adjustable elastic wristband | Medium & Large | <b>each</b><br>0.29 |
|                | Portia Blue – with wrist tie                     | Medium & Large | 0.19                |

**Gauzes**

To be supplied in sealed packets\* as received from manufacturer or wholesaler

|   |            |       |
|---|------------|-------|
| <b>Absorbent Cotton Gauze, Type 13 Light BP 1988, sterile</b> | 90cm x 1m  | 1.21  |
| (Syn. Absorbent Gauze)  | 90cm x 3m  | 2.53  |
|   | 90cm x 5m  | 3.94  |
|   | 90cm x 10m | 7.54  |
| Not sterilised  | 25m roll   | 17.28 |

(\*i.e. an inner sealed paper wrapper, in a film wrapped carton). Where no quantity is stated by the prescriber the 1m packet should be supplied.

|   |             |      |
|---|-------------|------|
| <b>Absorbent Cotton and Viscose Ribbon Gauze BP 1988, Sterile</b> | 1.25cm x 5m | 0.91 |
|   | 2.5cm x 5m  | 1.01 |

(\*i.e. an inner sealed paper wrapper, in an outer paper wrapper)

**Gauze Pads/Swabs – See Swabs****Gauze Tissues**

To be supplied in sealed packets\* as received from the manufacturer or wholesaler.

|  |      |      |
|--|------|------|
| <b>Gauze and Cotton Tissue BP 1988</b> | 500g | 7.85 |
|--|------|------|

(Absorbent Gauze Tissue, Gauze Tissue)

- i.e. sealed paper wrapper or heat-sealed stout plastic bag

|  |      |      |
|--|------|------|
| <b>Gauze and Cotton Tissue (Drug Tariff)</b> | 500g | 5.74 |
|--|------|------|

\* i.e. sealed paper wrapper or heat-sealed stout plastic bag

To be supplied only where specifically ordered.

**Head Lice Device**

|                       |  |      |
|-----------------------|--|------|
| <b>Bug Buster Kit</b> |  | 5.08 |
|-----------------------|--|------|

(Kit containing 3 Bug Buster combs, 1 Nit Buster comb, 1 wide-tooth comb plus a protective cape.)

The Bug Buster Kit works in combination with ordinary shampoo and hair conditioner - no additional medicated products are required.

|                                      |             |                     |
|--------------------------------------|-------------|---------------------|
| <b>Chemists' Own Head Lice Spray</b> | 100ml spray | <b>each</b><br>5.90 |
|--------------------------------------|-------------|---------------------|

|                            |       |      |
|----------------------------|-------|------|
| <b>Full Marks Solution</b> | 100ml | 3.47 |
|                            | 200ml | 6.36 |
|                            | 300ml | 8.67 |

|                               |       |       |
|-------------------------------|-------|-------|
| <b>Hedrin Once Liquid Gel</b> | 100ml | 5.95  |
|                               | 250ml | 10.40 |

|                              |             |      |
|------------------------------|-------------|------|
| <b>Hedrin Once Spray Gel</b> | 60ml spray  | 4.16 |
|                              | 100ml spray | 6.83 |

|                               |       |      |
|-------------------------------|-------|------|
| <b>Linicin Lotion 15 mins</b> | 100ml | 5.49 |
|-------------------------------|-------|------|

|                   |  |                     |
|-------------------|--|---------------------|
| <b>Nitcomb-M2</b> |  | <b>each</b><br>2.43 |
|-------------------|--|---------------------|

|  |                        |       |
|--|------------------------|-------|
| <b>Nitcomb-S1</b>                      |                        | 1.30  |
| <b>Nitlotion</b>                       |                        | 4.19  |
| <b>Nitty Gritty NitFree</b>            |                        | 5.67  |
| Steel nit comb with microgrooved teeth |                        |       |
| <b>NYDA</b>                            | 50ml spray             | 8.00  |
|  | 100ml spray (2 x 50ml) | 14.31 |
| <b>Portia Head Lice Comb</b>           |                        | 0.40  |
| <b>Vamousse</b>                        | 160ml aerosol          | 9.37  |
| <b>Hernia Support Garments</b>         |                        |       |
| <b>Orione Hernia Brief (Male)</b>      |                        | each  |
|  | Size 2 (76-80cm)       | 36.90 |
|  | Size 3 (81-85cm)       | 36.90 |
|  | Size 4 (86-90cm)       | 36.90 |
|  | Size 5 (91-95cm)       | 36.90 |
|  | Size 6 (96-100cm)      | 36.90 |
|  | Size 7 (101-105cm)     | 36.90 |
|  | Size 8 (106-110cm)     | 36.90 |
|  | Size 9 (111-115cm)     | 36.90 |
|  | Size 10 (116-120cm)    | 36.90 |

## Hypodermic Equipment

### A Single Patient-Use Products

U100 Insulin Syringes with Needle - Sterile, Single-Use or Single Patient-Use.

Shall comply with the requirements of BS 7548:1992

Sterile: intended for single use or single patient-use for the injection of U100 insulin by diabetics in the community.

NB: Intended for use immediately after filling, and not for containing insulin over extended periods of time.

The syringe may have permanently fixed needles, or detachable needles fitted ready for use. Alternatively, syringes with a separate needle may be supplied.

The sterility of the fluid pathway and functional surfaces shall be protected by either end caps or by suitable unit containers, all of which shall be tamper-evident.

Colour coding:- The colour orange is used to distinguish U100 Insulin syringes.

Instruction for disposal: These are given on the multiple (sales) packs and may be given on the unit or multiple unit pack. (A leaflet containing guidance may be supplied at the time of issue.)

NOTE: Each scale graduation represents one unit on the 0.3ml and 0.5ml syringes and two units on the 1.0ml syringe. The graduations on the syringes are clearly numbered at every 5 units on the 0.3ml and 0.5ml syringes and at every 10 units on the 1.0ml syringe. When the size is not specified by the prescriber, the 0.5ml syringe with needle should be supplied. If the patient is known to inject more than 50 units of Insulin per injection the 1.0ml syringe shall be supplied.

**Needles 8mm** long shall have a range of needle diameters as follows:

0.33mm (29g) and 0.3mm (30g).

| Size                     | Pack of 10 |
|--------------------------|------------|
| 0.3ml syringe and needle | 1.57       |
| 0.5ml syringe and needle | 1.52       |
| 1.0ml syringe and needle | 1.51       |

**Needles not less than 12mm** long shall have a range of needle diameters as follows:

0.45mm (26g), 0.36mm (28g), 0.33mm (29g), and 0.3mm (30G)

|                          |      |
|--------------------------|------|
| 0.3ml syringe and needle | 1.14 |
| 0.5ml syringe and needle | 1.63 |
| 1.0ml syringe and needle | 1.65 |

**Safety Needles 8mm** long shall have a range of needle diameters as follows:

|   |             |
|---|-------------|
| <b>BD SafetyGlide</b> insulin syringe<br>(Becton Dickinson) | Pack of 100 |
| 0.3ml syringe and needle (0.25mm/31G)                       | 13.34       |
| 0.5ml syringe and needle (0.3mm/30G)                        | 13.34       |

|  |            |
|--|------------|
| <b>Kendall Magellan</b> insulin safety syringe<br>(Covidien Commercial UK Ltd) | Pack of 50 |
| 0.3ml syringe and needle (0.3mm/30G)   | 6.60       |
| 0.5ml syringe and needle (0.3mm/30G)   | 6.60       |
| 1.0ml syringe and needle (0.3mm/30G)   | 6.60       |

**Safety Needles not less than 12mm** long shall have a range of needle diameters as follows:

|   |             |
|---|-------------|
| <b>BD SafetyGlide</b> insulin syringe<br>(Becton Dickinson) | Pack of 100 |
| 0.5ml syringe and needle (0.33mm/29G)                       | 13.34       |
| 1.0ml syringe and needle (0.33mm/29G)                       | 13.34       |

|  |            |
|--|------------|
| <b>Kendall Magellan</b> insulin safety syringe<br>(Covidien Commercial UK Ltd) | Pack of 50 |
| 0.3ml syringe and needle (0.33mm/29G)  | 6.60       |
| 0.5ml syringe and needle (0.33mm/29G)  | 6.60       |
| 1.0ml syringe and needle (0.33mm/29G)  | 6.60       |

**Hypodermic Equipment cont****(ii) Hypodermic Needles - Sterile, Single-Use**

For use with the re-usable glass syringes listed in this tariff. The sterility of the fluid pathway and functional surfaces shall be protected by a suitable unit container, which shall be tamper-evident.

The needles shall be of length not less than 12mm and the following diameters may be supplied:

|   |     |      |
|---|-----|------|
| Size                                      |     |      |
| 0.5mm (25G), 0.45mm (26G) and 0.4mm (27G) | 100 | 3.12 |

**B Reusable Pens**

|  | <u>Cartridge Size</u> | <u>Dial Up Unit Dose</u> |        |
|--|-----------------------|--------------------------|--------|
| <b>AllStar Pro</b> (Sanofi)            |                       |                          |        |
| (Blue)                                 | 3.0ml                 | 1 unit (1-80 units)      | 25.00  |
| (Silver)                               | 3.0ml                 | 1 unit (1-80 units)      | 25.00  |
| <b>Autopen Classic</b>                 | 3.0ml                 | 1 unit (1-21 units)      | 17.38  |
| (Owen Mumford)                         | 3.0ml                 | 2 unit (2-42 units)      | 17.38  |
| <b>Autopen 24</b>                      | 3.0ml                 | 1 unit (1-21 units)      | 17.12  |
| (Owen Mumford)                         | 3.0ml                 | 2 unit (2-42 units)      | 17.12  |
| <b>HumaPen Luxura HD</b>               | 3.0ml                 | 0.5 unit (1-30 units)    | 27.01  |
| <b>HumaPen Savvio</b> (Lilly)          |                       |                          |        |
| (Blue)                                 | 3.0ml                 | 1 unit (1-60 units)      | 27.01  |
| (Graphite)                             | 3.0ml                 | 1 unit (1-60 units)      | 27.01  |
| (Green)                                | 3.0ml                 | 1 unit (1-60 units)      | 27.01  |
| (Pink)                                 | 3.0ml                 | 1 unit (1-60 units)      | 27.01  |
| (Red)                                  | 3.0ml                 | 1 unit (1-60 units)      | 27.01  |
| (Silver)                               | 3.0ml                 | 1 unit (1-60 units)      | 27.01  |
| <b>JuniorSTAR</b> (Sanofi)             |                       |                          |        |
| (Blue)                                 | 3.0ml                 | 0.5 unit (1-30 units)    | 26.00  |
| (Red)                                  | 3.0ml                 | 0.5 unit (1-30 units)    | 26.00  |
| (Silver)                               | 3.0ml                 | 0.5 unit (1-30 units)    | 26.00  |
| <b>NovoPen 5</b> (Novo Nordisk)        |                       |                          |        |
| (Blue)                                 | 3.0ml                 | 1 unit (1-60 units)      | 26.86  |
| (Silver)                               | 3.0ml                 | 1 unit (1-60 units)      | 26.86  |
| <b>Novopen Echo</b> (Novo Nordisk)     |                       |                          |        |
| (Blue)                                 | 3.0ml                 | 0.5 unit (0.5-30units)   | 26.86  |
| (Red)                                  | 3.0ml                 | 0.5 unit (0.5-30 units)  | 26.86  |
| <b>For Apomorphine</b>                 |                       |                          |        |
| <b>D-mine Pen</b> (Ever Pharma UK Ltd) | 3.0ml                 |                          | 100.00 |

## Hypodermic Equipment cont

|  |               | pack of 100        |
|--|---------------|--------------------|
| <b>C Needles for Pre-filled and Reusable Pen Injectors</b> |               |                    |
| <b>4SURE</b>   | 4mm/31 gauge  | 3.95               |
|  | 4mm/32 gauge  | 3.95               |
|  | 5mm/31 gauge  | 3.95               |
|  | 5mm/32 gauge  | 3.95               |
|  | 6mm/31 gauge  | 3.95               |
|  | 6mm/32 gauge  | 3.95               |
|  | 8mm/31 gauge  | 3.95               |
| <b>Ateria SafeControl Safety Pen Needles</b>               | 4mm/32 gauge  | 25.00              |
|  | 5mm/30 gauge  | 22.00              |
|  | 8mm/30 gauge  | 22.00              |
| <b>BD AutoShield Duo</b>                                   | 5mm/30 gauge  | 25.00              |
| <b>BD Micro-Fine+</b>                                      | 5mm/31 gauge  | 4.99               |
|  | 8mm/31 gauge  | 4.99               |
| <b>BD Micro-Fine Ultra</b>                                 | 4mm/32 gauge  | 4.99               |
| <b>BD Viva</b>   |               | <b>pack of 90</b>  |
|  | 4mm/32 gauge  | 3.59               |
|  | 5mm/31 gauge  | 3.59               |
|  | 6mm/31 gauge  | 3.59               |
|  | 8mm/31 gauge  | 3.59               |
| <b>CareFine</b>  |               | <b>pack of 100</b> |
|  | 4mm/32 gauge  | 2.75               |
|  | 5mm/31 gauge  | 2.75               |
|  | 6mm/31 gauge  | 2.75               |
| <b>Dropsafe Safety Pen Needles</b>                         | 8mm/31 gauge  | 2.75               |
|  | 6mm/31 gauge  | 23.00              |
| <b>Dropsafe Safety Pen Needles</b>                         | 8mm/31 gauge  | 23.00              |
|  | 6mm/31 gauge  | 23.00              |
| <b>Glucoject</b>   | 4mm/32 gauge  | 5.95               |
|  | 5mm/31 gauge  | 5.95               |
|  | 6mm/31 gauge  | 5.95               |
|  | 8mm/31 gauge  | 5.95               |
|  | 10mm/29 gauge | 5.95               |
|  | 12mm/29 gauge | 5.95               |
| <b>GlucoRx CarePoint</b>                                   | 4mm/31 gauge  | 2.75               |
|  | 5mm/31 gauge  | 2.75               |
|  | 6mm/31 gauge  | 2.75               |
|  | 8mm/31 gauge  | 2.75               |
|  | 10mm/29 gauge | 2.75               |
|  | 12mm/29 gauge | 2.75               |
| <b>GlucoRx CarePoint Ultra</b>                             | 4mm/32 gauge  | 2.75               |
| <b>GlucoRx FinePoint</b>                                   | 4mm/31 gauge  | 4.50               |
|  | 5mm/31 gauge  | 4.50               |
|  | 6mm/31 gauge  | 4.50               |
|  | 8mm/31 gauge  | 4.50               |
|  | 10mm/29 gauge | 4.50               |
|  | 12mm/29 gauge | 4.50               |

**Hypodermic Equipment cont**

|   |               |       |             |
|---|---------------|-------|-------------|
| <b>GlucoRx FinePoint Ultra</b>            | 4mm/32 gauge  | 4.50  |             |
| <b>GlucoRx Safety Pen Needles</b>         | 5mm/30 gauge  | 12.95 |             |
|   | 8mm/30 gauge  | 12.95 |             |
| <b>HaemoFine</b>                          | 4mm/32 gauge  | 5.35  |             |
|   | 5mm/31 gauge  | 5.35  |             |
|   | 5mm/32 gauge  | 5.35  |             |
|   | 6mm/31 gauge  | 5.35  |             |
|   | 6mm/32 gauge  | 5.35  |             |
|   | 8mm/31 gauge  | 5.35  |             |
|   | 8mm/32 gauge  | 5.35  |             |
|   | 10mm/29 gauge | 5.35  |             |
|   | 12mm/29 gauge | 5.35  |             |
| <b>† IME-FINE</b>                         | 6mm/31 gauge  | 11.20 |             |
|   | 8mm/31 gauge  | 8.20  |             |
| <b>Insupen</b>                            | 4mm/32 gauge  | 5.95  |             |
|   | 4mm/33 gauge  | 12.69 |             |
|   | 5mm/31 gauge  | 5.95  |             |
|   | 6mm/31 gauge  | 5.95  |             |
|   | 6mm/32 gauge  | 5.95  |             |
|   | 8mm/31 gauge  | 5.95  |             |
|   | 8mm/32 gauge  | 5.95  |             |
|   | 12mm/29 gauge | 5.95  |             |
| <b>Insupen Original</b>                   | 4mm/32 gauge  | 3.55  |             |
|   | 5mm/31 gauge  | 3.55  |             |
|   | 6mm/31 gauge  | 3.55  |             |
|   | 6mm/32 gauge  | 3.55  |             |
|   | 8mm/30 gauge  | 3.55  |             |
|   | 8mm/31 gauge  | 3.55  |             |
|   | 8mm/32 gauge  | 3.55  |             |
|   | 12mm/29 gauge | 3.55  |             |
| <b>Klinion Soft Fine Plus Pen Needles</b> | 4mm/32 gauge  | 3.49  | <b>NEW</b>  |
|   | 5mm/31 gauge  | 3.49  | <b>NEW</b>  |
|   | 5mm/32 gauge  | 3.49  | <b>NEW</b>  |
|   | 6mm/31 gauge  | 3.49  | <b>NEW</b>  |
|   | 6mm/32 gauge  | 3.49  | <b>NEW</b>  |
|   | 8mm/31 gauge  | 3.49  | <b>NEW</b>  |
|   | 8mm/32 gauge  | 3.49  | <b>NEW</b>  |
| <b>Microdot Droplet</b>                   |               |       | pack of 100 |
|   | 4mm/32 gauge  | 4.95  |             |
|   | 6mm/31 gauge  | 4.95  |             |
|   | 8mm/31 gauge  | 4.95  |             |
| <b>Microdot Dual Safety Pen Needles</b>   | 4mm/31 gauge  | 22.95 |             |
| <b>Microdot Max</b>                       | 4mm/32 gauge  | 2.74  |             |
|   | 6mm/31 gauge  | 2.74  |             |
| <b>Microdot Max Safety Pen Needles</b>    | 5mm/30 gauge  | 12.89 |             |
| <b>Microdot Safety Pen Needles</b>        | 5mm/30 gauge  | 17.00 |             |

† to be deleted 1 October 2021

## Hypodermic Equipment cont

|                                     |                |                    |
|-------------------------------------|----------------|--------------------|
| <b>Mylife Clickfine</b>             | 4mm/32 gauge   | 9.11               |
|                                     | 6mm/31 gauge   | 9.11               |
|                                     | 8mm/31 gauge   | 9.11               |
|                                     | 10mm/29 gauge  | 9.11               |
|                                     | 12mm/29 gauge  | 9.11               |
| <b>Mylife Clickfine AutoProtect</b> | 5mm/31 gauge   | 19.00              |
|                                     | 8mm/29 gauge   | 19.00              |
| <b>Mylife Penfine Classic</b>       | 4mm/32 gauge   | 3.55               |
|                                     | 5mm/31 gauge   | 3.55               |
|                                     | 6mm/32 gauge   | 3.55               |
|                                     | 8mm/31 gauge   | 3.55               |
| <b>Nanopass</b>                     | 4mm/32.5 gauge | 7.60               |
|                                     | 6mm/32.5 gauge | 7.60               |
|                                     | 8mm/32.5 gauge | 7.60               |
| <b>NeedleBay Fine Pen Needles</b>   | 4mm/32 gauge   | 6.95               |
|                                     | 5mm/31 gauge   | 6.95               |
|                                     | 8mm/31 gauge   | 6.95               |
| <b>Neon Verifine</b>                | 4mm/31 gauge   | 4.50               |
|                                     | 5mm/31 gauge   | 4.50               |
|                                     | 6mm/31 gauge   | 4.50               |
|                                     | 8mm/31 gauge   | 4.50               |
|                                     | 10mm/30 gauge  | 4.50               |
|                                     | 12mm/29 gauge  | 4.50               |
| <b>Neon Verifine Safety</b>         | 5mm/31 gauge   | 14.89              |
|                                     | 8mm/30 gauge   | 14.89              |
| <b>Neon Verifine Ultra</b>          | 4mm/32 gauge   | 4.50               |
| <b>NovoFine</b>                     | 6mm/31 gauge   | 13.02              |
|                                     | 8mm/30 gauge   | 9.24               |
| <b>NovoFine Autocover</b>           | 8mm/30 gauge   | 22.28              |
| <b>NovoTwist</b>                    | 5mm/32 gauge   | 12.99              |
| <b>Omnican Fine</b>                 |                | <b>pack of 100</b> |
|                                     | 4mm/31 gauge   | 6.10               |
|                                     | 4mm/32 gauge   | 4.00               |
|                                     | 5mm/31 gauge   | 6.10               |
|                                     | 5mm/32 gauge   | 4.00               |
|                                     | 6mm/31 gauge   | 6.10               |
|                                     | 6mm/32 gauge   | 4.00               |
| 8mm/31 gauge                        | 6.10           |                    |



## Hypodermic Equipment cont

|                             |               |       |
|-----------------------------|---------------|-------|
| <b>PROFine</b>              | 4mm/32gauge   | 3.80  |
|                             | 5mm/31gauge   | 3.80  |
|                             | 6mm/31gauge   | 3.80  |
|                             | 8mm/31gauge   | 3.80  |
|                             | 12mm/29gauge  | 3.80  |
| <b>TriCare</b>              | 4mm/32 gauge  | 3.95  |
|                             | 5mm/31 gauge  | 3.95  |
|                             | 6mm/31 gauge  | 3.95  |
|                             | 8mm/31 gauge  | 3.95  |
| <b>Unifine Pentips</b>      | 4mm/32 gauge  | 12.04 |
|                             | 4mm/33 gauge  | 12.81 |
|                             | 5mm/31 gauge  | 12.30 |
|                             | 6mm/31 gauge  | 12.04 |
|                             | 8mm/31 gauge  | 8.45  |
|                             | 12mm/29 gauge | 8.45  |
| <b>Unifine Pentips Plus</b> | 4mm/32 gauge  | 5.95  |
|                             | 4mm/33 gauge  | 12.50 |
|                             | 5mm/31 gauge  | 5.95  |
|                             | 6mm/31 gauge  | 5.95  |
|                             | 8mm/31 gauge  | 5.95  |
|                             | 12mm/29 gauge | 5.95  |

## D Lancets - Sterile, Single-Use

|   |                  |     |       |
|---|------------------|-----|-------|
| <b>4SURE</b><br>(Nipro Diagnostics UK Ltd)  | 0.32mm/30 gauge  | 100 | 2.90  |
|   | 0.195mm/33 gauge | 100 | 2.90  |
| <b>Acti-Lance</b><br>(HTL-STREFA S.A.)  | 2.0mm/17 gauge   | 100 | 5.49  |
|   |                  | 200 | 10.41 |
|   | 1.8mm/23 gauge   | 100 | 5.49  |
|   |                  | 200 | 9.88  |
|   | 1.5mm/28 gauge   | 100 | 5.49  |
|   |                  | 200 | 9.88  |
| <b>Advocate</b> (Diabetes Care Technology Ltd)                                      | 0.31mm/30 gauge  | 100 | 2.95  |
| <b>AgaMatrix Ultra-Thin Lancets</b><br>(AgaMatrix Europe Ltd)                       | 0.35mm/28gauge   | 200 | 5.43  |
|   | 0.20mm/33gauge   | 200 | 5.43  |
| <b>Apollo Pressure-Activated SafetyLancets</b><br>(Apollo Medical Technologies Ltd) | 1.8mm/26 gauge   | 100 | 5.99  |
|   | 1.8mm/28 gauge   | 100 | 5.99  |
|   | 2.4mm/21 gauge   | 100 | 5.99  |
| <b>Apollo Twist</b><br>(Apollo Medical Technologies Ltd)                            | 0.36mm/28 gauge  | 200 | 4.50  |
| <b>BGStar Ultra-Thin Lancets</b> (Sanofi)   | 0.20mm/33 gauge  | 100 | 3.65  |
| <b>CareSens</b><br>(Spirit Healthcare Ltd)  | 0.31mm/30 gauge  | 100 | 2.95  |
|   | 0.36mm/28 gauge  | 100 | 2.95  |
| <b>CoaguChek Softclix</b> (Roche Diagnostics Ltd)                                   | 0.8mm/21 gauge   | 50  | 2.01  |

**Hypodermic Equipment cont**

|   |                   |            |               |
|---|-------------------|------------|---------------|
| <b>Dario</b><br>(LabStyle Innovations Ltd)                    | 0.31mm/30 gauge   | 100        | 3.45          |
| <b>Droplet</b><br>(HTL-STREFA S.A.)                           | 0.2mm/33 gauge    | 100        | 2.19          |
|   | 0.31mm/30 gauge   | 100        | 2.19          |
|   | 0.36mm/28 gauge   | 100        | 2.19          |
| <b>FastClix</b> (Roche Diabetes Care Ltd)                     | 0.3mm/30 gauge    | 204        | 5.90          |
| <b>FreeStyle</b> (Abbott Labs Ltd)                            | 0.5mm/28 gauge    | 200        | 7.64          |
| <b>Glucodock Lancets</b><br>(Medisana Healthcare UK Ltd)      | 0.35mm/28 gauge   | 100        | 3.60          |
| <b>Glucosject Lancets PLUS</b><br>(A. Menarani Diagnostics)   | 0.20mm/33 gauge   | 100<br>200 | 3.77<br>5.50  |
| <b>Glucosject No-dol Lancets</b><br>(A. Menarani Diagnostics) | 0.315mm/30 gauge  | 100<br>200 | 3.71<br>7.19  |
| <b>GlucorX Lancets</b> (GlucorX Ltd)                          | 0.31mm/30 gauge   | 200        | 4.50          |
| <b>GlucorX Safety lancets</b><br>(GlucorX Ltd)                | 1.6mm/30 gauge    | 100        | 5.50          |
|   | 1.8mm/28 gauge    | 100        | 5.50          |
|   | 1.8mm/26 gauge    | 100        | 5.50          |
|   | 2.2mm/23 gauge    | 100        | 5.50          |
| <b>GlucorZen</b> (GlucorZen Ltd)                              | 0.35mm/28 gauge   | 200        | 4.99          |
| <b>Greenlan Lancets</b> (Neon Diagnostics Ltd)                | 0.35mm/28 gauge   | 100<br>200 | 3.00<br>6.00  |
| <b>Kinetik Wellbeing</b><br>(Kinetik Medical Devices Ltd)     | 0.28mm/30 gauge   | 100<br>200 | 3.00<br>5.25  |
| <b>Klinion Soft Fine Colour</b><br>(HTL-STREFA S.A.)          | 0.31mm/30 gauge   | 110<br>210 | 2.20<br>4.00  |
|   | 0.36mm/28 gauge   | 110<br>210 | 2.20<br>4.00  |
| † <b>IME-DC</b> (Arctic Medical Ltd)                          | 0.3mm/30 gauge    | 100        | 3.00          |
| <b>MediTouch</b><br>(Medisana Healthcare (UK) Ltd)            | 0.34mm/28 gauge   | 100        | 3.60          |
| <b>Medlance Plus</b><br>(HTL-STREFA S.A.)                     | 2.0mm/0.8mm blade | 100<br>200 | 5.39<br>10.25 |
|   | 1.8mm/21 gauge    | 100<br>200 | 4.81<br>9.57  |
|   | 2.4mm/21 gauge    | 100<br>200 | 4.81<br>9.57  |
|   | 1.5mm/25 gauge    | 100<br>200 | 4.81<br>9.57  |
|   | 1.2mm/30 gauge    | 100<br>200 | 4.81<br>9.57  |

† to be deleted 1 October 2021

## Hypodermic Equipment cont

|   |                 |     |       |
|---|-----------------|-----|-------|
| <b>Mendor Discreet</b> (SpringMed Solutions Ltd)              | 0.32mm/28 gauge | 100 | 3.61  |
| <b>Microdot</b><br>(Cambridge Sensors Ltd)                    | 0.31mm/30 gauge | 100 | 3.00  |
|   |                 | 200 | 6.00  |
| <b>Microdot HiFlow</b> (Cambridge Sensors Ltd)                | 2.2mm/21 gauge  | 200 | 9.50  |
| <b>Microdot Lite</b> (Cambridge Sensors Ltd)                  | 1.8mm/28 gauge  | 200 | 9.50  |
| <b>Microdot Plus</b><br>(Cambridge Sensors Ltd)               | 0.20mm/33 gauge | 100 | 2.19  |
|   | 0.30mm/30 gauge | 100 | 2.19  |
| <b>Microdot Professional</b><br>(Cambridge Sensors Ltd)       | 2.2mm/23 gauge  | 200 | 9.50  |
| <b>Microdot SuperLite</b><br>(Cambridge Sensors Ltd)          | 1.8mm/30 gauge  | 200 | 9.50  |
| <b>Microlet</b> (Bayer Diagnostics)                           | 0.5mm/28 gauge  | 100 | 3.90  |
|   |                 | 200 | 7.44  |
| <b>Milward Steri-Let</b><br>(Entaco)                          | 0.66mm/23 gauge | 100 | 3.00  |
|   |                 | 200 | 5.70  |
|   | 0.36mm/28 gauge | 100 | 3.00  |
|   |                 | 200 | 5.70  |
| <b>Mylife Lancets</b> (Ypsomed Ltd)                           | 0.3mm/30 gauge  | 200 | 5.50  |
| <b>Mylife Multicolour</b> (Ypsomed Ltd)                       | 0.3mm/30 gauge  | 200 | 5.50  |
| <b>Mylife Safety Comfort lancets</b> (Ypsomed Ltd)            | 0.32mm/30 gauge | 200 | 12.00 |
| <b>Mylife Safety lancets</b> (Ypsomed Ltd)                    | 0.36mm/28 gauge | 200 | 12.00 |
| <b>Neon Verifine Safety Lancets</b><br>(Neon Diagnostics Ltd) | 1.8mm/23 gauge  | 100 | 2.99  |
|   | 1.8mm/28 gauge  | 100 | 2.99  |
|   | 1.8mm/30 gauge  | 100 | 2.99  |
|   | 2.4mm/21 gauge  | 100 | 2.99  |
| <b>Omnican Lance Soft</b> (B.Braun Medical UK Ltd)            | 0.30mm/30 gauge | 200 | 5.52  |
| <b>One Touch Comfort</b> (LifeScan UK)                        | 0.20mm/33 gauge | 200 | 7.63  |
| <b>OneTouch Delica Plus</b> (LifeScan UK)                     | 0.32mm/30 gauge | 200 | 5.85  |
| <b>One Touch UltraSoft</b> (LifeScan UK)                      | 0.4mm/28 gauge  | 100 | 3.81  |
| <b>palmdoc Lancets</b> (Palmdoc Ltd)                          | 0.38mm/30 gauge | 100 | 2.85  |
| <b>palmdoc iCare Advanced</b><br>(Palmdoc Ltd)                | 0.38mm/30 gauge | 100 | 2.85  |
|   |                 | 200 | 4.45  |

**Hypodermic Equipment cont**

|   |                  |     |       |
|---|------------------|-----|-------|
| <b>Safe-T-Lance Plus</b><br>(Smiths Medical International Ltd)  | 1.4mm/25 gauge   | 200 | 9.82  |
|   | 1.6mm/28 gauge   | 200 | 9.82  |
|   | 1.8mm/18 gauge   | 200 | 9.00  |
|   | 1.8mm/21 gauge   | 200 | 9.82  |
| <b>Sarstedt Safety Lancets</b><br>(Sarstedt Ltd)  | 1.6mm/28 gauge   | 200 | 10.92 |
|   | 1.8mm/21 gauge   | 200 | 10.92 |
|   | 1.8mm/18 gauge   | 200 | 10.92 |
| <b>Softclix</b> (Roche Diabetes Care Ltd)   | 0.4mm/28 gauge   | 200 | 8.06  |
| <b>Sterilance Lite II Safety Lancets</b><br>(GBUK Healthcare)<br>(formerly Spirit Healthcare Ltd)                   | 1.8mm/18 gauge   | 100 | 5.70  |
|   | 1.8mm/21 gauge   | 100 | 5.70  |
|   | 1.8mm/26 gauge   | 100 | 5.70  |
|   | 1.8mm/28 gauge   | 100 | 5.70  |
|   | 2.4mm/21 gauge   | 100 | 5.70  |
|   | 2.4mm/26 gauge   | 100 | 5.70  |
| <b>SylkFeel Ultra-Thin Lancets</b> (Sanofi)   | 0.20mm/33 gauge  | 100 | 3.65  |
| <b>Thin Lancets</b> (Abbott Labs Ltd)   | 0.36mm/28 gauge  | 200 | 7.88  |
| <b>TRUEplus Lancets</b><br>(Trividia Health UK Ltd) (including products<br>formerly listed under Nipro Diagnostics) | 0.32mm/30gauge   | 100 | 2.90  |
|   | 0.36mm/28 gauge  | 100 | 2.90  |
|   | 0.195mm/33gauge  | 100 | 2.90  |
| † <b>Unilet ComforTouch</b> (Owen Mumford Ltd)  | 0.375mm/28 gauge | 100 | 3.88  |
|   |                  | 200 | 7.35  |
| <b>Unilet Eco</b> (Owen Mumford Ltd)  | 0.375mm/28 gauge | 100 | 3.11  |
| <b>Unistik 3 Comfort</b><br>(Owen Mumford Ltd)  | 1.8mm/28 gauge   | 50  | 3.28  |
|   |                  | 100 | 6.40  |
|   |                  | 200 | 12.51 |
| <b>Unistik 3 Extra</b><br>(Owen Mumford Ltd)  | 2.0mm/21 gauge   | 100 | 6.40  |
|   |                  | 200 | 12.51 |
| <b>Unistik 3 Gentle</b><br>(Owen Mumford Ltd)   | 1.5mm/30 gauge   | 50  | 3.28  |
|   |                  | 100 | 6.08  |
|   |                  | 200 | 12.16 |
| <b>Unistik 3 Normal</b><br>(Owen Mumford Ltd)   | 1.8mm/23 gauge   | 50  | 3.28  |
|   |                  | 100 | 6.40  |
|   |                  | 200 | 12.51 |
| <b>Unistik Touch</b><br>(Owen Mumford Ltd)  | 1.5mm/30 gauge   | 100 | 4.80  |
|   | 1.5mm/30 gauge   | 200 | 9.60  |
|   | 1.8mm/28 gauge   | 100 | 4.80  |
|   | 1.8mm/28 gauge   | 200 | 9.60  |
|   | 2.0mm/23 gauge   | 100 | 4.80  |
|   | 2.0mm/23 gauge   | 200 | 9.60  |
|   | 2.0mm/21 gauge   | 100 | 4.80  |
|   | 2.0mm/21 gauge   | 200 | 9.60  |

† to be deleted 1 October 2021

**Hypodermic Equipment cont**

|  |                 |     |      |
|--|-----------------|-----|------|
| <b>Vitrex Gentle</b><br>(Vitrex Medical Ltd) | 0.36mm/28 gauge | 100 | 3.19 |
|  |                 | 200 | 6.13 |
| <b>Vitrex Soft</b><br>(Vitrex Medical Ltd)   | 0.65mm/23 gauge | 100 | 3.00 |
|  |                 | 200 | 5.70 |
| <b>VivaChek Lancets</b> (JR Biomedical Ltd)  | 0.37mm/28 gauge | 100 | 2.99 |

Disposal: Please see guidance in paragraph 5 of the Appendix to Part II

**E Accessories**

|  |  |  |      |
|--|--|--|------|
| <b>MySharps</b> (pocket container)       |  |  | 0.75 |
| <b>Needle Clipping (Chopping) Device</b> |  |  | 1.53 |

Consisting of a clipper to remove the needle from its hub, and incorporating a suitable receptacle from which the cut-off needles cannot be retrieved. Sufficiently robust to accommodate needles of diameter 0.45mm (26G) or finer; length: 16mm or shorter. Not generally suitable for use with lancets. Designed to hold approximately 1,200 such needles.

|                      |  |           |      |
|----------------------|--|-----------|------|
| <b>Sharpsafe</b>     |  | 1 litre   | 0.85 |
|                      |  | 1.8 litre | 1.15 |
|                      |  | 4 litre   | 2.45 |
|                      |  | 7 litre   | 3.80 |
|                      |  | 9 litre   | 4.60 |
| <b>* SharpSafety</b> |  | 8 litre   | 4.49 |
| <b>Sharpsguard</b>   |  | 1 litre   | 0.90 |
|                      |  | 5 litre   | 1.26 |

**F Needle-free Insulin Delivery Systems**

each

|  |                       |        |
|--|-----------------------|--------|
| ● <b>Injex Starter Set</b>   | (60500)               | 149.36 |
| (Set includes 1 needle-free delivery system, reset box, transporter, nine disposable 10ml vial adaptors, 165 ampoules)                       |                       |        |
| ● <b>Injex Four-Monthly Refill Pack</b>  | (60504)               | 24.47  |
| (Pack contains 6 disposable 10ml vial adaptors, 100 ampoules)  |                       |        |
| ● <b>Injex Ampoule Pack</b>  | (60501)               | 12.28  |
| (Contains 50 ampoules)   |                       |        |
| ● <b>Injex 10ml Vial Adaptor Pack</b>  | (60502)               | 12.23  |
| (Contains 20 10ml vial adaptors)   |                       |        |
| ● <b>Please refer to manufacturer for availability</b>   |                       |        |
| <b>InsuJet Starter Set</b>   | 012003GBSP-012007GBSP | 90.00  |
| (Set includes 1 InsuJet pen, 1 nozzle cap, 1 nozzle & piston, 1 vial (10ml) adaptor, 1 cartridge (3ml) adaptor, 1 cartridge cap removal key) |                       |        |
| <b>InsuJet Nozzle Pack</b>   | 017000UK205           | 15.00  |
| (Pack contains 5 pieces)   |                       |        |
| <b>InsuJet 3ml Cartridge Adaptor Pack</b>  | 017100UK205           | 12.00  |
| (Pack contains 5 pieces)   |                       |        |
| <b>InsuJet 10ml Vial Adaptor Pack</b>  | 017200UK0205          | 12.00  |
| (Pack contains 5 pieces)   |                       |        |

**\* to be deleted 1 November 2021**

## Hypodermic Equipment cont

**G Subcutaneous Drug Delivery Accessories - Sterile**

|   |                        |             |            |
|---|------------------------|-------------|------------|
| <b>Cleo 90</b> (Smiths Medical International Ltd) |                        |             | pack of 10 |
| 61cm tubing                                       | 6mm inserter/retractor | 21-7220-24  | 69.00      |
| 79cm tubing                                       | 6mm inserter/retractor | 21-7221-24  | 69.00      |
| 107cm tubing                                      | 6mm inserter/retractor | 21-7222-24  | 69.00      |
| 61cm tubing                                       | 9mm inserter/retractor | 21-7230-24  | 69.00      |
| 79cm tubing                                       | 9mm inserter/retractor | 21-7231-24  | 69.00      |
| 107cm tubing                                      | 9mm inserter/retractor | 21-7232-24  | 69.00      |
| <br>  |                        |             |            |
| <b>D-mine Pump Reservoir</b> (Ever Pharma UK Ltd) |                        |             | pack of 10 |
|   |                        |             | 70.00      |
| <br>  |                        |             |            |
| <b>Neria</b> (Unomedical Ltd)                     |                        |             | pack of 10 |
| 60cm tubing                                       | 8mm/29 gauge           | 78-060-2938 | 48.82      |
| 60cm tubing                                       | 10mm/29 gauge          | 78-060-2931 | 48.82      |
| 110cm tubing                                      | 6mm/27 gauge           | 78-110-2736 | 48.82      |
| 110cm tubing                                      | 6mm/29 gauge           | 78-110-2936 | 48.82      |
| 110cm tubing                                      | 8mm/27 gauge           | 78-110-2738 | 48.82      |
| 110cm tubing                                      | 8mm/29 gauge           | 78-110-2938 | 48.82      |
| 110cm tubing                                      | 10mm/27 gauge          | 78-110-2731 | 48.82      |
| 110cm tubing                                      | 10mm/29 gauge          | 78-110-2931 | 48.82      |
| <br>  |                        |             |            |
| <b>Neria guard</b> (Unomedical Ltd)               |                        |             | pack of 10 |
| 12cm tubing                                       | 6mm/27 gauge           | 704012-5226 | 69.95      |
| 12cm tubing                                       | 9mm/27 gauge           | 704012-5229 | 69.95      |
| 60cm tubing                                       | 6mm/27 gauge           | 7704012-522 | 69.95      |
| 60cm tubing                                       | 9mm/27 gauge           | 704060-5229 | 69.95      |
| 110cm tubing                                      | 6mm/27 gauge           | 704110-5226 | 69.95      |
| 110cm tubing                                      | 9mm/27 gauge           | 704110-5229 | 69.95      |
| <br>  |                        |             |            |
| <b>Neria Multi</b> (Unomedical Ltd)               |                        |             | pack of 10 |
| 100cm tubing                                      | 2 x 8mm/27 gauge       | 721060-2738 | 94.84      |
| 100cm tubing                                      | 2 x 10mm/27 gauge      | 721060-2731 | 94.84      |
| 100cm tubing                                      | 3 x 8mm/27 gauge       | 721060-3738 | 130.01     |
| 100cm tubing                                      | 3 x 10mm/27 gauge      | 721060-3731 | 130.01     |
| 100cm tubing                                      | 3 x 12mm/27 gauge      | 721060-3737 | 130.01     |
| 100cm tubing                                      | 4 x 8mm/27 gauge       | 721060-4738 | 164.11     |
| 100cm tubing                                      | 4 x 10mm/27 gauge      | 721060-4731 | 164.11     |
| 100cm tubing                                      | 4 x 12mm/27 gauge      | 721060-4737 | 164.11     |
| <br>  |                        |             |            |
| <b>Neria Soft 90</b> (Unomedical Ltd)             |                        |             | each       |
| 60cm tubing                                       | 6mm/27 gauge           | 722060-5226 | 7.07       |
| 60cm tubing                                       | 9mm/27 gauge           | 722060-5229 | 7.07       |
| 110cm tubing                                      | 6mm/27 gauge           | 722110-5226 | 7.07       |
| 110cm tubing                                      | 9mm/27 gauge           | 722110-5229 | 7.07       |
| <br>  |                        |             |            |
| <b>Neria Soft</b> (Unomedical Ltd)                |                        |             | each       |
| 60cm tubing                                       | 13mm/24 gauge          | 79-060-2522 | 7.14       |
| 60cm tubing                                       | 17mm/24 gauge          | 79-060-2622 | 7.14       |
| 60cm tubing                                       | connecting tube        | 76-060-2652 | 2.28       |
| 110cm tubing                                      | 13mm/24 gauge          | 79-110-2522 | 7.14       |
| 110cm tubing                                      | 17mm/24 gauge          | 79-110-2622 | 7.14       |
| <br>  |                        |             |            |
| <b>Saflo 90</b> (Applied Medical Technology Ltd)  |                        |             | each       |
| 100cm tubing                                      | 6mm/24 gauge           | SF90-106    | 6.90       |
| 100cm tubing                                      | 9mm/24 gauge           | SF90-109    | 6.90       |

**Indwelling Pleural Drainage Systems****Catheter**

|   |              |       |
|---|--------------|-------|
| <b>Rocket IPC</b>                             |              | each  |
| Dressing Pack and 1000ml Pre-evacuated Bottle | R54411       | 38.22 |
| 1000ml Pre-Evacuated Bottle and Valve Cap     | R54411-00-00 | 29.05 |
| Dressing Pack and Bottle                      | R54400       | 25.93 |
| Drainage Bag and Dressing Pack                | R54401       | 18.55 |
| Pre-Evacuated Bottle                          | R54410       | 18.15 |

**Chest Drain**

|  |        |       |
|--|--------|-------|
| <b>Rocket Ambulatory Chest Drain Bag</b> | R54564 | 15.00 |
|--|--------|-------|

**Inhalation Solutions**

Sodium Chloride 0.9% Solution - Sterile

|                        |            |       |
|------------------------|------------|-------|
| <b>Hydra-Neb</b>       | 20 x 2.5ml | 10.80 |
| <b>PulmoClear 0.9%</b> | 20 x 2.5ml | 4.29  |
| <b>Respi-Clear</b>     | 20 x 2.5ml | 4.29  |
| <b>Salineb</b>         | 20 x 2.5ml | 5.10  |

Please note that Hydra-Neb should not be mixed with any drugs

Sodium Chloride 3% Solution – Sterile

|                      |          |       |            |
|----------------------|----------|-------|------------|
| <b>Bronchlear 3%</b> | 60 x 4ml | 16.47 | <b>NEW</b> |
| <b>MucoClear 3%</b>  | 20 x 4ml | 12.98 |            |
|                      | 60 x 4ml | 27.00 |            |
| <b>PulmoClear 3%</b> | 60 x 4ml | 16.47 |            |
| <b>Resp-Ease 3%</b>  | 60 x 4ml | 21.60 |            |

Sodium Chloride 6% Solution – Sterile

|                      |          |       |            |
|----------------------|----------|-------|------------|
| <b>Bronchlear 6%</b> | 60 x 4ml | 16.59 | <b>NEW</b> |
| <b>MucoClear 6%</b>  | 20 x 4ml | 12.98 |            |
|                      | 60 x 4ml | 27.00 |            |
| <b>PulmoClear 6%</b> | 60 x 4ml | 16.59 |            |
| <b>Resp-Ease 6%</b>  | 60 x 4ml | 21.60 |            |

Sodium Chloride 7% Solution – Sterile

|                       |          |       |
|-----------------------|----------|-------|
| <b>Nebusal 7%</b>     | 60 x 4ml | 27.00 |
| <b>PulmoClear 7%</b>  | 60 x 4ml | 16.80 |
| <b>Respi-Clear 7%</b> | 60 x 4ml | 16.97 |
| <b>Resp-Ease 7%</b>   | 60 x 4ml | 21.60 |
| <b>Salineb 7%</b>     | 60 x 4ml | 16.80 |

**Inspiratory Muscle Training Devices**

Pressure Threshold Device

|                           |       |
|---------------------------|-------|
| <b>POWERbreathe Medic</b> | 17.90 |
| <b>Threshold IMT</b>      | 11.50 |

Resistance Breathing Device

|                     |       |
|---------------------|-------|
| <b>Ultrabreathe</b> | 10.95 |
|---------------------|-------|

**Insufflators Plastics - for inhalation of fine powders**

|                   |      |
|-------------------|------|
| <b>Cyclohaler</b> | 1.40 |
|-------------------|------|

**Irrigation Solutions**

|  |              |            |        |
|--|--------------|------------|--------|
| <b>Hydrocyn aqua</b><br>(Creed Medical Ltd)                      | Spray        | 100ml      | 1.25   |
|  | Bottle       | 250ml      | 2.79   |
|  |              | 500ml      | 5.59   |
| <b>Octenilin</b> (Schulke & Mayr UK Ltd)                         | Bottle       | 350ml      | 4.60   |
| <b>Prontosan</b><br>(B Braun Medical Ltd)                        | Pod          | 24 x 40ml  | 14.93  |
|  | Bottle       | 350ml      | 5.03   |
| <b>Sodium Chloride 0.9% Irrigation Solution – Sterile Alissa</b> | Pod          | 25 x 20ml  | 7.36   |
| <b>Bell, Sons &amp; Co (Druggists) Ltd</b>                       | Pod          | 25 x 20ml  | 6.76   |
| <b>Clinipod</b>  | Pod          | 25 x 20ml  | 4.80   |
| <b>Crest Medical Ltd</b>   | Pod          | 25 x 20ml  | 4.99   |
| <b>EasyPod</b> (TriOn Pharma Ltd)                                | Pod          | 25 x 20ml  | 4.40   |
| <b>Flowfusor</b> (Fresenius Kabi)                                | Bellows pack | 1x120ml    | 1.71   |
| <b>Fresenius Kabi</b>  | Pour Bottle  | 1x1000ml   | 1.09   |
| <b>Generics UK</b>   | Pod          | 25 x 25ml  | 5.50   |
| <b>Irriclens</b> (Conva Tec)                                     | Aerosol      | 1 x 240ml  | 3.69   |
| <b>Irripod</b> (CD Medical Ltd)                                  | Pod          | 25 x 20ml  | 5.90   |
| <b>ISO-POD</b> (St Georges Medical Ltd)                          | Pod          | 25 x 20ml  | 4.95   |
| <b>Normasol</b> (Molnlycke Health Care)                          | Sachet       | 25 x 25ml  | 6.70   |
|  |              | 10 x 100ml | 8.27   |
| <b>Sal-e Pods</b> (Ennogen Healthcare Ltd)                       | Pod          | 25 x 20ml  | 4.80   |
| <b>Salipod</b> (Sai-Meds Ltd)                                    | Pod          | 25 x 20ml  | 4.99   |
| <b>Stericlens</b>  | Aerosol      | 240ml      | 3.19 ↑ |
| <b>Steripod</b> (Molnlycke Health Care)                          | Pod          | 25 x 20ml  | 5.07   |
| <b>Sterowash</b><br>(Steroplast Ltd)                             | Pod          | 25 x 20ml  | 5.40   |

**Water for Irrigation – Sterile**

|   |             |            |      |
|---|-------------|------------|------|
| <b>Fresenius Water for Irrigation</b><br>(Fresenius Kabi) | Pour Bottle | 1 x 1000ml | 1.68 |
|---|-------------|------------|------|

Note: The exact number of containers (i.e. aerosols, bellows packs, bottles, cans, pods, pour bottles or sachets) ordered by the prescriber is to be dispensed.



**Jaw Rehabilitation Device**

|                  |   |                               |                           |
|------------------|---|-------------------------------|---------------------------|
| <b>TheraBite</b> | Device, initial Bite Pads and Accessories | Adult, Paediatric             | <b>each</b><br>232.38     |
|                  | Bite Pads                                 | Adult, Edentulous, Paediatric | <b>pack of 4</b><br>10.85 |

**Latex Foam, Adhesive**

|   |                          |                           |
|---|--------------------------|---------------------------|
| Specification 19                                      | 22.5cm x 45cm, 7mm thick | <b>Pack of 4</b><br>21.11 |
| Cervical Collar – now listed in Part III – Appliances |                          |                           |

**Leg Ulcer Wrap**

|                   |         |             |
|-------------------|---------|-------------|
| <b>4UlcerCare</b> |         | <b>Each</b> |
|                   | 28-35cm | 13.80       |
|                   | 35-43cm | 13.80       |
|                   | 43-51cm | 13.80       |
|                   | 51-61cm | 13.80       |
|                   | 61cm+   | 13.80       |

**Lint**

To be supplied in sealed packets (film wrapped cartons) as received from the manufacturer or wholesaler.

|                                      |      |       |
|--------------------------------------|------|-------|
| <b>Absorbent Lint BPC</b>            | 25g  | 1.00  |
| (Syn. Absorbent Cotton Lint;         | 100g | 3.07  |
| Cotton Lint; Plain Lint; White Lint) | 500g | 12.91 |

Where no quantity is stated on the prescription form the 25g pack is to be supplied.

**Low Friction Garments**

|                                   |              |                 |
|-----------------------------------|--------------|-----------------|
| <b>Aderma Dermal Pad</b>          |              | <b>each</b>     |
| Sacrum/Ankle Wrap                 |              | 18.05 ↑         |
| Heel                              | Standard     | 16.08 ↑         |
|                                   | Extra Large  | 18.32 ↑         |
| Sheet                             |              |                 |
|                                   | 10x10x0.3cm  | 4.60 ↑          |
|                                   | 10x10x1.2cm  | 13.80 ↑         |
|                                   | 20x20x0.3cm  | 18.37 ↑         |
| Strip                             | 50x2.5x0.3cm | 5.76 ↑          |
|                                   | 30x5.0x0.3cm | 6.90 ↑          |
| <b>Dermisplus Prevent</b>         |              |                 |
| Pad                               |              |                 |
|                                   | 10x10x0.3cm  | 3.52            |
|                                   | 10x10x1.2cm  | 10.55           |
|                                   | 20x20x0.3cm  | 14.05           |
|                                   | 20x20x1.2cm  | 20.64           |
| Strip                             | 30x5x0.3cm   | 5.28            |
|                                   | 50x2.5x0.3cm | 4.40            |
| Sacrum/Ankle                      |              | 13.81           |
| Heel                              | Standard     | 12.30           |
|                                   | Large        | 14.01           |
| <b>Devon Positioning Products</b> |              | <b>per pair</b> |
| Foot and Heel Protector           |              | 4.99            |
| Utility Pad                       | 51x30x5cm    | 7.99            |
| <b>Dyna-Tek</b>                   |              | <b>per pair</b> |
| Heel Boot                         |              | 3.99            |
| Heel Pad                          |              | 3.87            |

|   |                |                   |                       |
|---|----------------|-------------------|-----------------------|
| <b>HeelPro</b>  |                |                   | <b>each</b>           |
| Foot Protector  |                |                   | 21.00                 |
| <b>HeelPro Advance</b>                                  |                |                   |                       |
| Foot Protector  |                |                   | 21.00                 |
| <b>KerraPro</b>   |                |                   | <b>each</b>           |
| Heel  |                |                   | 15.18                 |
| Sacrum/Ankle  |                |                   | 17.09                 |
| Sheet   |                | 10x10x0.3cm       | 4.30                  |
|   |                | 10x10x1.2cm       | 12.95                 |
| Strip   |                | 50x2.5x0.3cm      | 5.39                  |
|   |                | 30x5x0.3cm        | 6.47                  |
| <b>Parafricta</b>                                       |                |                   |                       |
| Bootee  | Velcro Closure | XS,S,M,L,XL       | 35.50                 |
|   | Slip On        | XS,S,M,L,XL       | 35.50                 |
| Undergarment  | Velcro Closure | XS,S,M,L,XL       | 35.50                 |
|   | Brief Slip On  | XS,S,M,L,XL       | 35.50                 |
|   | Boxer Slip On  | XS,S,M,L,XL,XXL   | 35.50                 |
| <b>Prevalon</b>   |                |                   |                       |
| Heel Protector  | I              | Calf Circ 25-46cm | 38.60                 |
|   | III            | Calf Circ 25-46cm | 44.00                 |
|   | Petite         | Calf Circ 13-25cm | 44.00                 |
| <b>Safeguard</b>  |                |                   | <b>price per pair</b> |
| Heel Boot   |                |                   | 3.99                  |
| Utility Pad   |                | 50x30x2.5cm       | 7.49                  |
| <b>Lubricant Gels</b>                                   |                |                   |                       |
| <b>Aquagel Lubricating Jelly</b> (sterile until opened) |                | 5g sachet         | 0.19                  |
|   |                | 42g tube          | 1.10                  |
|   |                | 82g tube          | 1.83                  |
| <b>Cathejell Lidocain</b>                               | CJLL12501      | 12.5g             | 1.16                  |
| <b>Cathejell Lidocaine C</b>                            | CJL 08501      | 8.5g              | 1.23                  |
|   | CJL 12501      | 12.5g             | 1.28                  |
| <b>Cathejell Mono</b>                                   | CJM 08501      | 8.5g              | 0.83                  |
|   | CJM 12501      | 12.5g             | 0.88                  |
| <b>Elite Lubricating Jelly</b>                          |                | 50ml pump         | 2.27                  |
| <b>Hydro-Caine Gel</b>                                  | HYD-006        | 6ml syringe       | 1.14                  |
|   | HYD-011        | 11ml syringe      | 1.19                  |
| <b>Konix</b>  | T107.0005      | 6ml syringe       | 0.62                  |
|   | T107.0007      | 12ml syringe      | 0.70                  |
| <b>Lube in a Tube</b>                                   |                | 82g tube          | 1.59                  |
| <b>MediLube Sterile Lubricating Jelly</b>               |                | 5g sachet         | 0.11                  |
|   |                | 82g tube          | 1.55                  |
| <b>OptiLube Sterile Lubricating Jelly</b>               | 1120           | 5g sachet         | 0.16                  |
|   | 1121           | 42g tube          | 1.05                  |
|   | 1122           | 82g tube          | 1.74                  |
|   | 1125           | 6ml syringe       | 0.95                  |
|   | 1126           | 11ml syringe      | 1.00                  |
| <b>OptiLube Active CHG Free</b>                         | 1167           | 6ml syringe       | 1.05                  |
|   | 1168           | 11ml syringe      | 1.10                  |
| <b>OptiLube Active Sterile Lubricating Jelly</b>        | 1160           | 6ml syringe       | 1.05                  |

**Micro-Enema – Sodium Citrate**

|         |      |          |      |
|---------|------|----------|------|
| Relaxit | Tube | 12 x 5ml | 5.21 |
|---------|------|----------|------|

**Nasal Products****Nasal Aspirator**

|                             |  |    |      |
|-----------------------------|--|----|------|
| NoseFrida hygiene filters   |  | 20 | 0.71 |
| NoseFrida nasal aspirator   |  |    | 3.48 |
| Snufflebabe nasal aspirator |  |    | 4.32 |

**Nasal Drops – Glucose in Glycerol**

|                      |                |      |       |
|----------------------|----------------|------|-------|
| Glycerdex Nose Drops | Dropper Bottle | 10ml | 15.08 |
|----------------------|----------------|------|-------|

**Nasal Drops - Sodium Chloride 0.9%**

|                             |                |      |      |
|-----------------------------|----------------|------|------|
| Almus Pharmaceuticals       | Dropper Bottle | 10ml | 0.99 |
| Mandanol                    | Dropper Bottle | 10ml | 0.99 |
| Orbis Consumer Products Ltd | Dropper Bottle | 10ml | 0.95 |
| RX Farma                    | Dropper Bottle | 10ml | 0.99 |

**Nasal Powder**

|                      |              |                  |      |
|----------------------|--------------|------------------|------|
| Care Allergy Defence | Powder Spray | 500mg (200 dose) | 4.32 |
|----------------------|--------------|------------------|------|

**Nasal Spray**

|                   |       |      |      |
|-------------------|-------|------|------|
| Aqua Maris Daily  | Spray | 30ml | 2.49 |
| Aqua Maris Junior | Spray | 30ml | 2.49 |
| Aqua Maris Strong | Spray | 30ml | 2.77 |
| Aqua Maris Baby   | Drops | 15ml | 2.39 |
| GeloSitin         | Spray | 15ml | 5.25 |
| Nozoil            | Spray | 10ml | 4.03 |
| Sterimar          |       |      |      |
| Isotonic          | Spray | 50ml | 2.49 |
| Hypertonic        | Spray | 50ml | 2.89 |
| Sterimar Baby     | Spray | 50ml | 2.49 |
| Sterimar Kids     | Spray | 50ml | 2.89 |

**Nipple Shields, Plastic**

|   |  |  |      |
|---|--|--|------|
| Semi-rigid polypropylene base with latex teat (each in carton)<br>(Not to be confused with Breast Shield) |  |  | 0.71 |
|---|--|--|------|

**Oral Film Forming Agents**

|  |                  |                   |        |
|--|------------------|-------------------|--------|
| Caphosol   |                  | 30 doses          | 34.28  |
| ( 1 dose = 1 x Caphosol A (15ml) + 1 x Caphosol B (15ml) |                  | 120 doses         | 130.70 |
| Caphosol Dispersible                                     |                  | 30 tablets        | 34.28  |
| Episil   | Oral Spray       | 10ml              | 49.21  |
| Gelclair   |                  | 21 x 15ml sachets | 34.33  |
| GeloRevoice  | Lozenges         | 20 lozenges       | 5.00   |
| gelX   | Oral Gel         | 300ml             | 33.61  |
|  | Oral Spray       | 100ml             | 49.21  |
| Gengigel   | Gel              | 20ml Tube         | 3.70   |
|  | Mouthrinse       | 150ml bottle      | 4.55   |
| Mucosamin  | Mouthwash        | 250ml bottle      | 19.00  |
|  | Oromucosal Spray | 30ml              | 19.00  |
| MuGard   |                  | 250ml bottle      | 20.00  |

**Oscillating Positive Expiratory Pressure Device**

|   |       |
|---|-------|
| ● Acapella                                      | 40.50 |
| Aerobika  | 45.50 |
| Flutter   | 40.50 |
| Lungflute                                       | 37.50 |
| PARI O-PEP                                      | 27.28 |
| RC-Cornet                                       | 39.95 |
| RC-Cornet Plus                                  | 38.53 |
| ● Please refer to manufacturer for availability |       |

**Peak Flow Meters**

Syn. P.F.M

(Non-powered; hand-held)

Portable meters intended for single-patient use.

The **standard range** is suitable for use by both adults and children.The **low range** model is for adults or children with severely restricted airflow.

The Peak Flow Meters standard range will conform to the relevant current EN ISO standard.

The Peak Flow Meters low range will be CE marked and comply with the relevant current EN ISO standard in all aspects except for a reduced measurement range.

**Manufacturer****Standard Range**

|   |            |      |
|---|------------|------|
| Clement Clarke                                | 3103388    | 7.18 |
| Clement Clarke AirZone                        | 3130160    | 4.76 |
| Easy Peak Flow Meter                          | EASYS800   | 4.25 |
| Fyne Dynamics Pinnacle                        | 72000EU    | 6.50 |
| Medicareplus International Ltd                | 60482      | 4.50 |
| Micro Medical                                 | MPE 8200EU | 6.50 |
| nSpire PiKo-1 Electronic Peak Flow/FEV1 Meter | 346005-EU  | 9.50 |
| nSpire Pocket Peak Flow Meter                 | 208(EU)/F  | 6.53 |
| Philips Respironics PersonalBest              | 1022973    | 6.86 |
| Rossmax Peak Flow Meter                       |            | 4.50 |
| Vitalograph                                   | 43602      | 4.83 |
| Vitalograph Child                             | 43703      | 4.83 |
| Vitalograph myPEF                             | 43950      | 7.08 |

**Low Range CE marked**

|                                |           |      |
|--------------------------------|-----------|------|
| Clement Clarke                 | 3104708   | 7.23 |
| Easy Peak Flow Meter           | EASYL500  | 5.99 |
| Medicareplus International Ltd | 60536     | 6.50 |
| nSpire Pocket Peak Flow Meter  | 209(EU)/F | 6.53 |
| Rossmax Peak Flow Meter        |           | 4.50 |

- NB**
1. "Low range" to be supplied only where specifically ordered.
  2. Where the brand or manufacturer is not stated by the prescriber and has not been endorsed, the basic price must not exceed £4.50(Standard Range) and £6.50(Low Range).
  3. Replacement recording charts (FP1010) are given by the prescribing Doctor; they are also available from pharmacists.

**Replacement Mouthpiece/Adaptor (Plastics) for above**

(Not interchangeable between brands or manufacturers)

Replacement mouthpiece - suitable for both standard and low range models for use by adults or children

|                |      |
|----------------|------|
| Clement Clarke | 0.38 |
| Micro Medical  | 0.38 |
| nSpire         | 0.38 |

**Pelvic Toning Devices**

|                    |  |             |
|--------------------|--|-------------|
|                    |  | <b>each</b> |
| <b>Aquaflex</b>    |  | 13.95       |
| <b>Kegel8</b>      |  | 15.00       |
| <b>PelvicToner</b> |  | 15.00       |

**Pessaries**

|                  |                                       |             |
|------------------|---------------------------------------|-------------|
| <b>Ring</b>      |                                       | <b>each</b> |
| <b>Polythene</b> | 7.5mm thick, 50-80mm (rising in 3mm)  | 2.20        |
|                  | 7.5mm thick, 80-100mm (rising in 5mm) | 2.20        |

|            |  |      |
|------------|--|------|
| <b>PVC</b> | 1.25cm thick, 50-80mm (rising in 3mm)  | 2.39 |
|            | 1.25cm thick, 85-100mm (rising in 5mm) | 2.39 |
|            | 1.25cm thick, 110mm                    | 2.39 |

Balance (TriOn Pharma)

|             |                         |                                |       |
|-------------|-------------------------|--------------------------------|-------|
| <b>Ring</b> |                         |                                |       |
| Silicone    | With Support/Folding    | Size 0, 45mm (Outer Diameter)  | 14.98 |
|             |                         | Size 1, 51mm (Outer Diameter)  | 14.98 |
|             |                         | Size 2, 57mm (Outer Diameter)  | 14.98 |
|             |                         | Size 3, 64mm (Outer Diameter)  | 14.98 |
|             |                         | Size 4, 70mm (Outer Diameter)  | 14.98 |
|             |                         | Size 5, 76mm (Outer Diameter)  | 14.98 |
|             |                         | Size 6, 83mm (Outer Diameter)  | 14.98 |
|             |                         | Size 7, 89mm (Outer Diameter)  | 14.98 |
|             |                         | Size 8, 95mm (Outer Diameter)  | 14.98 |
|             |                         | Size 9, 102mm (Outer Diameter) | 14.98 |
|             | Without Support/Folding | Size 0, 45mm (Outer Diameter)  | 14.98 |
|             |                         | Size 1, 51mm (Outer Diameter)  | 14.98 |
|             |                         | Size 2, 57mm (Outer Diameter)  | 14.98 |
|             |                         | Size 3, 64mm (Outer Diameter)  | 14.98 |
|             |                         | Size 4, 70mm (Outer Diameter)  | 14.98 |
|             |                         | Size 5, 76mm (Outer Diameter)  | 14.98 |
|             |                         | Size 6, 83mm (Outer Diameter)  | 14.98 |
|             |                         | Size 7, 89mm (Outer Diameter)  | 14.98 |
|             |                         | Size 8, 95mm (Outer Diameter)  | 14.98 |
|             |                         | Size 9, 102mm (Outer Diameter) | 14.98 |

**Pessaries cont.**

Bioteque America (R&amp;J Medical Ltd)

**Ring**

|                                |                 |                                |       |
|--------------------------------|-----------------|--------------------------------|-------|
| Silicone                       | With Support    | Size 0, 44mm (Outer Diameter)  | 20.00 |
|                                |                 | Size 1, 51mm (Outer Diameter)  | 20.00 |
|                                |                 | Size 2, 57mm (Outer Diameter)  | 20.00 |
|                                |                 | Size 3, 64mm (Outer Diameter)  | 20.00 |
|                                |                 | Size 4, 70mm (Outer Diameter)  | 20.00 |
|                                |                 | Size 5, 76mm (Outer Diameter)  | 20.00 |
|                                |                 | Size 6, 83mm (Outer Diameter)  | 20.00 |
|                                |                 | Size 7, 89mm (Outer Diameter)  | 20.00 |
|                                |                 | Size 8, 95mm (Outer Diameter)  | 20.00 |
|                                | Without Support | Size 9, 102mm (Outer Diameter) | 20.00 |
|                                |                 | Size 0, 44mm (Outer Diameter)  | 20.00 |
|                                |                 | Size 1, 51mm (Outer Diameter)  | 20.00 |
|                                |                 | Size 2, 57mm (Outer Diameter)  | 20.00 |
|                                |                 | Size 3, 64mm (Outer Diameter)  | 20.00 |
|                                |                 | Size 4, 70mm (Outer Diameter)  | 20.00 |
|                                |                 | Size 5, 76mm (Outer Diameter)  | 20.00 |
|                                |                 | Size 6, 83mm (Outer Diameter)  | 20.00 |
|                                |                 | Size 7, 89mm (Outer Diameter)  | 20.00 |
| Size 8, 95mm (Outer Diameter)  | 20.00           |                                |       |
| Size 9, 102mm (Outer Diameter) | 20.00           |                                |       |

**Gellhorn**

|                               |               |                               |       |
|-------------------------------|---------------|-------------------------------|-------|
| Silicone                      | Standard Stem | Size 0, 38mm (Outer Diameter) | 21.50 |
|                               |               | Size 1, 45mm (Outer Diameter) | 21.50 |
|                               |               | Size 2, 51mm (Outer Diameter) | 21.50 |
|                               |               | Size 3, 57mm (Outer Diameter) | 21.50 |
|                               |               | Size 4, 64mm (Outer Diameter) | 21.50 |
|                               |               | Size 5, 70mm (Outer Diameter) | 21.50 |
|                               |               | Size 6, 76mm (Outer Diameter) | 21.50 |
|                               |               | Size 7, 83mm (Outer Diameter) | 21.50 |
|                               | Short Stem    | Size 8, 89mm (Outer Diameter) | 21.50 |
|                               |               | Size 0, 38mm (Outer Diameter) | 21.50 |
|                               |               | Size 1, 45mm (Outer Diameter) | 21.50 |
|                               |               | Size 2, 51mm (Outer Diameter) | 21.50 |
|                               |               | Size 3, 57mm (Outer Diameter) | 21.50 |
|                               |               | Size 4, 64mm (Outer Diameter) | 21.50 |
|                               |               | Size 5, 70mm (Outer Diameter) | 21.50 |
|                               |               | Size 6, 76mm (Outer Diameter) | 21.50 |
| Size 7, 83mm (Outer Diameter) | 21.50         |                               |       |
| Size 8, 89mm (Outer Diameter) | 21.50         |                               |       |

**Pessaries cont.**

GBUK vaginal pessary (GBUK Healthcare)

**Ring**

|          |                 |                               |       |
|----------|-----------------|-------------------------------|-------|
| Silicone | Without Support | Size 0, 44mm (Outer Diameter) | 19.00 |
|          |                 | Size 1, 51mm (Outer Diameter) | 19.00 |
|          |                 | Size 2, 57mm (Outer Diameter) | 19.00 |
|          |                 | Size 3, 64mm (Outer Diameter) | 19.00 |
|          |                 | Size 4, 70mm (Outer Diameter) | 19.00 |
|          |                 | Size 5, 76mm (Outer Diameter) | 19.00 |
|          |                 | Size 6, 83mm (Outer Diameter) | 19.00 |
|          |                 | Size 7, 89mm (Outer Diameter) | 19.00 |
|          |                 | Size 8, 95mm (Outer Diameter) | 19.00 |

**Gellhorn**

|                               |               |                               |       |
|-------------------------------|---------------|-------------------------------|-------|
| Silicone                      | Standard Stem | Size 0, 38mm (Outer Diameter) | 20.49 |
|                               |               | Size 1, 45mm (Outer Diameter) | 20.49 |
|                               |               | Size 2, 51mm (Outer Diameter) | 20.49 |
|                               |               | Size 3, 57mm (Outer Diameter) | 20.49 |
|                               |               | Size 4, 64mm (Outer Diameter) | 20.49 |
|                               |               | Size 5, 70mm (Outer Diameter) | 20.49 |
|                               |               | Size 6, 76mm (Outer Diameter) | 20.49 |
|                               |               | Size 7, 83mm (Outer Diameter) | 20.49 |
|                               | Short Stem    | Size 8, 89mm (Outer Diameter) | 20.49 |
|                               |               | Size 0, 38mm (Outer Diameter) | 20.49 |
|                               |               | Size 1, 45mm (Outer Diameter) | 20.49 |
|                               |               | Size 2, 51mm (Outer Diameter) | 20.49 |
|                               |               | Size 3, 57mm (Outer Diameter) | 20.49 |
|                               |               | Size 4, 64mm (Outer Diameter) | 20.49 |
|                               |               | Size 5, 70mm (Outer Diameter) | 20.49 |
|                               |               | Size 6, 76mm (Outer Diameter) | 20.49 |
| Size 7, 83mm (Outer Diameter) | 20.49         |                               |       |
| Size 8, 89mm (Outer Diameter) | 20.49         |                               |       |

Milex (Mediplus Ltd)

**Ring**

|                                 |                         |                                 |       |
|---------------------------------|-------------------------|---------------------------------|-------|
| Silicone                        | Without Support/Folding | Size 0, 44mm (Outer Diameter)   | 21.95 |
|                                 |                         | Size 1, 51mm (Outer Diameter)   | 21.95 |
|                                 |                         | Size 2, 57mm (Outer Diameter)   | 21.95 |
|                                 |                         | Size 3, 64mm (Outer Diameter)   | 21.95 |
|                                 |                         | Size 4, 70mm (Outer Diameter)   | 21.95 |
|                                 |                         | Size 5, 76mm (Outer Diameter)   | 21.95 |
|                                 |                         | Size 6, 83mm (Outer Diameter)   | 21.95 |
|                                 |                         | Size 7, 89mm (Outer Diameter)   | 21.95 |
|                                 |                         | Size 8, 95mm (Outer Diameter)   | 21.95 |
|                                 |                         | Size 9, 102mm (Outer Diameter)  | 21.95 |
|                                 |                         | Size 10, 108mm (Outer Diameter) | 21.95 |
|                                 |                         | Size 11, 114mm (Outer Diameter) | 21.95 |
|                                 |                         | Size 12, 121mm (Outer Diameter) | 21.95 |
| Size 13, 127mm (Outer Diameter) | 21.95                   |                                 |       |

**Pessaries cont.**

|                 |                                 |                                 |                       |       |
|-----------------|---------------------------------|---------------------------------|-----------------------|-------|
| Silicone        | With Support/Folding            | Size 0, 44mm (Outer Diameter)   | 21.95                 |       |
|                 |                                 | Size 1, 51mm (Outer Diameter)   | 21.95                 |       |
|                 |                                 | Size 2, 57mm (Outer Diameter)   | 21.95                 |       |
|                 |                                 | Size 3, 64mm (Outer Diameter)   | 21.95                 |       |
|                 |                                 | Size 4, 70mm (Outer Diameter)   | 21.95                 |       |
|                 |                                 | Size 5, 76mm (Outer Diameter)   | 21.95                 |       |
|                 |                                 | Size 6, 83mm (Outer Diameter)   | 21.95                 |       |
|                 |                                 | Size 7, 89mm (Outer Diameter)   | 21.95                 |       |
|                 |                                 | Size 8, 95mm (Outer Diameter)   | 21.95                 |       |
|                 |                                 | Size 9, 102mm (Outer Diameter)  | 21.95                 |       |
|                 |                                 | Size 10, 108mm (Outer Diameter) | 21.95                 |       |
|                 |                                 | Size 11, 114mm (Outer Diameter) | 21.95                 |       |
|                 |                                 | Size 12, 121mm (Outer Diameter) | 21.95                 |       |
|                 | Size 13, 127mm (Outer Diameter) | 21.95                           |                       |       |
| <b>Gellhorn</b> |                                 |                                 |                       |       |
| Silicone        | Flexible                        | 38mm (Outer Diameter)           | 23.64                 |       |
|                 |                                 | 44mm (Outer Diameter)           | 23.64                 |       |
|                 |                                 | 51mm (Outer Diameter)           | 23.64                 |       |
|                 |                                 | 57mm (Outer Diameter)           | 23.64                 |       |
|                 |                                 | 64mm (Outer Diameter)           | 23.64                 |       |
|                 |                                 | 70mm (Outer Diameter)           | 23.64                 |       |
|                 |                                 | 76mm (Outer Diameter)           | 23.64                 |       |
|                 |                                 | 83mm (Outer Diameter)           | 23.64                 |       |
|                 |                                 | 89mm (Outer Diameter)           | 23.64                 |       |
|                 |                                 | 95mm (Outer Diameter)           | 23.64                 |       |
|                 |                                 | Short Stem                      | 38mm (Outer Diameter) | 23.64 |
|                 |                                 |                                 | 44mm (Outer Diameter) | 23.64 |
|                 |                                 |                                 | 51mm (Outer Diameter) | 23.64 |
|                 | 57mm (Outer Diameter)           |                                 | 23.64                 |       |
|                 | 64mm (Outer Diameter)           |                                 | 23.64                 |       |
|                 | 70mm (Outer Diameter)           |                                 | 23.64                 |       |
|                 | 76mm (Outer Diameter)           |                                 | 23.64                 |       |
|                 |                                 | 83mm (Outer Diameter)           | 23.64                 |       |
|                 |                                 | 89mm (Outer Diameter)           | 23.64                 |       |
|                 |                                 | 95mm (Outer Diameter)           | 23.64                 |       |



**Physical Debridement Device**

## Physical Debridement Accessories

|   |          |       |
|---|----------|-------|
| <b>CPI Extremity Bag Standard with Solidifier</b> | EB100-S  | 75.00 |
| <b>CPI Extremity Bag Long with Solidifier</b>     | EB100-SL | 75.00 |
| <b>CPI Pulsar Irrigator</b>                       | P1200    | 55.00 |
| <b>CPI Sacral Bag Standard with Solidifier</b>    | AB200-S  | 75.00 |
| <b>CPI Sacral Bag Wide with Solidifier</b>        | AB200-SW | 75.00 |

|  |         |        |
|--|---------|--------|
| <b>VersaJet Exact Handset 45/8mm</b>     | 50637   | 273.77 |
| <b>VersaJet Exact Handset 45/14mm</b>    | 50636   | 273.77 |
| <b>VersaJet II Exact Handset 45/8mm</b>  | 6680042 | 273.77 |
| <b>VersaJet II Exact Handset 45/14mm</b> | 6680041 | 273.77 |

## Physical Debridement Dressing

|   |                      |      |
|---|----------------------|------|
| <b>HydroClean advance</b><br>(formerly HydroClean plus) | 4cm round            | 4.06 |
|   | 5.5cm round          | 4.82 |
|   | 4cm x 8cm            | 3.50 |
|   | 7.5cm x 7.5cm        | 5.33 |
|   | 8cm x 14cm           | 6.50 |
|   | 10cm x 10cm          | 6.04 |
|   | 10cm x 17cm          | 8.80 |
|   | 4cm round cavity     | 4.31 |
|   | 5.5cm round cavity   | 6.45 |
|   | 4cm x 8cm cavity     | 3.20 |
|   | 7.5cm x 7.5cm cavity | 5.53 |
|   | 10cm x 10cm cavity   | 9.80 |
|   | 3cm round            | 2.38 |

**HydroClean advance mini**  
(formerly HydroClean plus mini)

## Physical Debridement Pad

|                                  |             |       |
|----------------------------------|-------------|-------|
| <b>Alprep Pad</b>                | 7cm x 9cm   | 6.61  |
| <b>Cleanwnd</b>                  | 15cm x 20cm | 2.42  |
| <b>Cutimed DebriClean</b>        | 9cm x 13cm  | 4.63  |
| <b>DebriSoft</b>                 | 10cm x 10cm | 6.78  |
|                                  | 13cm x 20cm | 16.79 |
| <b>Debrisoft Lolly</b>           |             | 6.03  |
| <b>Prontosan Debridement Pad</b> |             | 5.68  |
| <b>UCS Debridement</b>           |             | 3.37  |
| <b>UCS Debridement Glove</b>     |             | 14.90 |

**Potassium Hydroxide Solution**

|                      |     |       |
|----------------------|-----|-------|
| <b>Molutrex (5%)</b> | 3ml | 10.13 |
| <b>MolluDab (5%)</b> | 2ml | 13.50 |

**Pressure Offloading Device****Knee Pressure Offloading Device**

|                              |              |             |
|------------------------------|--------------|-------------|
| <b>Action Reliever</b>       |              | <b>each</b> |
| Left, Right, Medial, Lateral | Size 1-8     | 195.00      |
| <b>Clima-Flex OA</b>         |              |             |
| Left, Right, Medial, Lateral | Size XS-XXXL | 158.33      |
| <b>medi Soft OA light</b>    |              |             |
| Left, Right, Varus, Valgus   | Size XS-XXL  | 191.00      |
| <b>OA Reaction Web</b>       |              |             |
| Left, Right, Medial, Lateral | Size XS-XXXL | 133.33      |

**Plantar Pressure Offloading Device****BeneFoot Medical Shoe**

|                                 |                      |             |  |       |
|---------------------------------|----------------------|-------------|--|-------|
| Original Post Op                |                      |             |  |       |
| (male)                          | POMS – POMXL         | S, M, L, XL |  | 12.99 |
| (female)                        | POWS – POWL          | S, M, L     |  | 12.99 |
| (paediatric)                    | POPD                 | One Size    |  | 12.99 |
| Original Post Op with Toe Cover |                      |             |  |       |
| (male)                          | POTCMS – POTCMXL     | S, M, L, XL |  | 14.99 |
| (female)                        | POTCWS – POTCWL      | S, M, L     |  | 14.99 |
| (paediatric)                    | POTCPD               | One Size    |  | 14.99 |
| High Top                        |                      |             |  |       |
| (male)                          | POHTMS – POHTMXL     | S, M, L, XL |  | 16.99 |
| (female)                        | POHTWS – POHTWL      | S, M, L     |  | 16.99 |
| (paediatric)                    | POHTPD               | One Size    |  | 16.99 |
| High Top with Toe Cover         |                      |             |  |       |
| (male)                          | POHTTCMS – POHTTCMXL | S, M, L, XL |  | 16.99 |
| (female)                        | POHTTCWS – POHTTCWL  | S, M, L     |  | 16.99 |
| (paediatric)                    | POHTTCPD             | One Size    |  | 16.99 |

**Cellona Shoe**

|          |       |                         |                 |       |
|----------|-------|-------------------------|-----------------|-------|
| Children | 16471 | Paediatric (size 25-30) | <b>Per pair</b> | 16.40 |
|          | 16472 | XS (size 31-34)         |                 | 16.40 |
| Adult    | 16473 | S (size 35-38)          |                 | 16.40 |
|          | 16474 | M (size 39-41)          |                 | 16.40 |
|          | 16475 | L (size 42-43)          |                 | 16.40 |
|          | 16476 | XL (size 44-47)         |                 | 16.40 |

**Kerraped**

All Purpose Boot Small, Medium, Large, Extra Large 17.92

**Kerraped Plantar Ulcer Shoe System**

|                                |  |                 |  |       |
|--------------------------------|--|-----------------|--|-------|
| Single Boot + PegAssist Insole |  |                 |  |       |
| S, M, L, XL                    |  | KPUC002-KPUC005 |  | 58.57 |
| PegAssist Insole (replacement) |  |                 |  |       |
| S, M, L, XL                    |  | KPUI002-KPUI005 |  | 26.94 |

**Kerraped Plus**

All Purpose Boot Small, Medium, Large, Extra Large 19.50

**Liqua Care**

|                  |        |            |                 |       |
|------------------|--------|------------|-----------------|-------|
| Diabetic FlowGel | 9-3536 | Size 35-36 | <b>Per pair</b> | 17.45 |
| Orthotics        | 9-3738 | Size 37-38 |                 | 17.45 |
|                  | 9-3940 | Size 39-40 |                 | 17.45 |
|                  | 9-4142 | Size 41-42 |                 | 17.45 |
|                  | 9-4344 | Size 43-44 |                 | 17.45 |
|                  | 9-4546 | Size 45-46 |                 | 17.45 |

**VACOcast**

|          |                |              |             |                  |
|----------|----------------|--------------|-------------|------------------|
| Diabetic | Small          | VPCD-01-1-S  | <b>each</b> | 149.00           |
|          | Medium         | VPCD-01-1-M  |             | 149.00           |
|          | Large          | VPCD-01-1-L  |             | 149.00           |
|          | Strap-lock kit | VERS-16-4-41 |             | 16.50 <b>NEW</b> |

**Prosthetic Adhesives**

|               |  |     |  |       |
|---------------|--|-----|--|-------|
| Edge Adhesive |  | 5g  |  | 4.35  |
|               |  | 25g |  | 16.63 |

**Protectives****Hand**

|                                      |  |                            |
|--------------------------------------|--|----------------------------|
| <b>Microair Barrier Gloves</b>       | Small, Medium, Large, Extra Large, Extra Extra Large | <b>per pair</b><br>34.35   |
| <b>EMA Film Gloves - Disposable</b>  | Small, Medium or Large                               | <b>pack of 30</b><br>2.43  |
| <b>Dispos-A-Gloves (non-sterile)</b> | Small, Medium or Large                               | <b>pack of 100</b><br>3.31 |
| <b>Nitrile Gloves</b>                |  | <b>pack of 100</b>         |
| <b>Finite P Indigo AF</b>            | Small, Medium, Large                                 | 7.00                       |
| <b>Nitrile-Pro</b>                   | Small, Medium, Large, Extra Large                    | <b>Pack of 200</b><br>8.50 |
| <b>Premier Prestige Nitrile Blue</b> | Small, Medium, Large, Extra Large                    | <b>pack of 150</b><br>6.80 |
| <b>Vitrex</b>                        | Small, Medium, Large                                 | <b>pack of 50</b><br>3.89  |

**Gloves - Polythene, 100 gauge**

(Polythene Occlusive, Disposable For use as occlusives with medicated creams)  
To be supplied in sealed packets as received from the manufacturer or wholesaler.  
"The sizes given are lay-flat width x length."

**Foot**

|                                       |                                |                          |
|---------------------------------------|--------------------------------|--------------------------|
| <b>Microair Barrier Ankle Socks</b>   | 4-5, 6-6½, 7-7½, 8-9½, 10½-12½ | <b>per pair</b><br>34.35 |
| <b>Microair Barrier Trainer Socks</b> | 4-5, 6-6½, 7-7½, 8-9½, 10½-12½ | 34.35                    |

**Limb**

|               |          |                             |
|---------------|----------|-----------------------------|
| <b>Bloccs</b> |          | <b>Each</b>                 |
| Adult         | P6370    | Short arm 10.76             |
|               | P6372    | Full arm 10.76              |
|               | P6374    | Short leg 10.76             |
|               | P6376    | Full leg 12.25              |
|               | P6386/S  | Elbow/PICC Small 9.74       |
|               | P6386/M  | Elbow/PICC Medium 9.74      |
|               | P6386/L  | Elbow/PICC Large 9.74       |
| Child         | P6371/S  | Short arm 1-3 years 10.25   |
|               | P6371/M  | Short arm 4-9 years 10.25   |
|               | P6371/L  | Short arm 10-14 years 10.25 |
|               | P6373/XS | Full arm 1-3 years 10.25    |
|               | P6373/S  | Full arm 4-7 years 10.25    |
|               | P6373/M  | Full arm 8-10 years 10.25   |
|               | P6373/L  | Full arm 11-14 years 10.25  |
|               | P6375/S  | Short leg 1-3 years 10.25   |
|               | P6375/M  | Short leg 4-9 years 10.25   |
|               | P6375/L  | Short leg 10-14 years 10.25 |
|               | P6377/S  | Full leg 1-3 years 10.25    |
|               | P6377/M  | Full leg 4-9 years 10.25    |
|               | P6377/L  | Full leg 10-14 years 10.25  |
|               | P6385/XS | Elbow/PICC 1-3 years 9.74   |
|               | P6385/S  | Elbow/PICC 4-7 years 9.74   |
|               | P6385/M  | Elbow/PICC 8-10 years 9.74  |
|               | P6385/L  | Elbow/PICC 11-14 years 9.74 |

|  |            |                                      |             |
|--|------------|--------------------------------------|-------------|
| <b>Limb</b>                            |            |                                      | <b>each</b> |
| <b>buddy</b>                           |            |                                      |             |
| Amputee                                | AJ/30      | Above joint aperture size 30mm       | 11.04       |
|  | AJ/40      | Above joint aperture size 40mm       | 11.04       |
|  | AJ/50      | Above joint aperture size 50mm       | 11.04       |
|  | AJ/70      | Above joint aperture size 70mm       | 11.04       |
|  | AJ/90      | Above joint aperture size 90mm       | 11.04       |
|  | BJ/30      | Below joint aperture size 30mm       | 12.05       |
|  | BJ/40      | Below joint aperture size 40mm       | 12.05       |
|  | BJ/50      | Below joint aperture size 50mm       | 12.05       |
|  | BJ/70      | Below joint aperture size 70mm       | 12.05       |
|  | BJ/90      | Below joint aperture size 90mm       | 12.05       |
| Arm                                    | SA/30      | Short arm small aperture size 30mm   | 11.04       |
|  | SA/40      | Short arm medium aperture size 40mm  | 11.04       |
|  | SA/50      | Short arm large aperture size 50mm   | 11.04       |
|  | MA/30      | Medium arm small aperture size 30mm  | 12.05       |
|  | MA/40      | Medium arm medium aperture size 40mm | 12.05       |
|  | MA/50      | Medium arm large aperture size 50mm  | 12.05       |
| Hand & Foot free                       | SO40/30    | 40cm top and 30cm lower apertures    | 11.89       |
|  | SO50/40    | 50cm top and 40cm lower apertures    | 11.89       |
|  | SO70/50    | 70cm top and 50cm lower apertures    | 11.89       |
|  | SO90/70    | 90cm top and 70cm lower apertures    | 11.89       |
|  | SO90/90    | 90cm top and 90cm lower apertures    | 11.89       |
| <b>buddy</b>                           |            |                                      |             |
| Isolated wounds                        | CC/M40/30  | 40mm top and 30mm lower apertures    | 9.87        |
|  | CC/L50/40  | 50mm top and 40mm lower apertures    | 9.87        |
|  | CC/XL60/50 | 60mm top and 50mm lower apertures    | 9.87        |
| Legs                                   | SL/S30     | Short leg small aperture size 30mm   | 10.81       |
|  | SL/M40     | Short leg medium aperture size 40mm  | 10.81       |
|  | SL/L50     | Short leg large aperture size 50mm   | 10.81       |
|  | ML/S30     | Medium leg small aperture size 30mm  | 10.91       |
|  | ML/M40     | Medium leg medium aperture size 40mm | 10.91       |
|  | ML/L50     | Medium leg large aperture size 50mm  | 10.91       |
|  | LL/S/50    | Long leg small aperture size 50mm    | 12.42       |
|  | LL/M/70    | Long leg medium aperture size 70mm   | 12.42       |
|  | LL/L/90    | Long leg large aperture size 90mm    | 12.42       |
| <b>LimbO Waterproof Protector</b>      |            |                                      | <b>each</b> |
| Adult 1/2 leg                          | MP76       | Slim build                           | 10.56       |
|  | MP76S      | Slim build, short leg                | 10.56       |
|  | MP80       | Normal build                         | 10.56       |
|  | MP80S      | Normal build, short leg              | 10.56       |
|  | MP180      | Large build                          | 10.56       |
|  | MP180S     | Large build, short leg               | 10.56       |
| Adult elbow                            | MP65       | Slim to medium build                 | 12.95       |
|  | MP75       | Medium to large build                | 12.95       |
| Adult foot                             | MP20       | Small                                | 10.49       |
|  | MP25       | Large                                | 10.49       |
| <b>Seal-Tight Wound Care Protector</b> |            |                                      | <b>each</b> |
|  | 20318      | PICC/dressing mid-arm cover Small    | 10.50       |
|  | 20317      | PICC/dressing mid-arm cover Medium   | 10.50       |
|  | 20319      | PICC/dressing mid-arm cover Large    | 10.50       |
|  | CV27105    | Adult foot/ankle                     | 10.50       |
|  | CV27103    | Adult short leg                      | 10.50       |
|  | CV27106    | Adult wide short leg                 | 10.50       |

**Pulsed Electromagnetic Stimulator**

|                  |                |       |
|------------------|----------------|-------|
| <b>ActiPatch</b> | Back           | 13.95 |
|                  | Knee           | 13.95 |
|                  | Muscle & Joint | 13.95 |

**Silk Garments**

| <b>DermaSilk</b>         | <b>size</b>                | <b>each</b>     |
|--------------------------|----------------------------|-----------------|
| Infant Hat               | 0-3 months                 | 17.49           |
|                          | 3-12 months                | 17.49           |
|                          | 12-24 months               | 17.49           |
| Eye Mask                 | One Size                   | 10.38           |
| Facial Mask              | Infant                     | 16.92           |
|                          | Child                      | 16.92           |
|                          | Teen size                  | 21.58           |
|                          | Adult size                 | 21.58           |
| Soft Cup Bra             | XS - S                     | 39.16           |
|                          | M - L                      | 39.16           |
|                          | XL - XXL                   | 39.16           |
| Body Suit                | 0-3 months                 | 39.34           |
|                          | 3-6 months                 | 39.43           |
|                          | 6-9 months                 | 40.56           |
|                          | 9-12 months                | 41.60           |
|                          | 12-18 months               | 41.69           |
|                          | 18-24 months               | 42.73           |
|                          | 24-36 months               | 42.81           |
|                          | 3-4 years                  | 43.94           |
| Boxer Shorts             | Adult (Male) XS – S        | 42.95           |
|                          | M – L                      | 42.95           |
|                          | XL – XXL                   | 42.95           |
| Boy's Briefs             | 3-6                        | 22.39           |
|                          | 7-10 years                 | 22.39           |
| Girl's Briefs            | 3-6 years                  | 22.39           |
|                          | 7-10 years                 | 22.39           |
| Ladies Briefs            | Adult (Female) XS – S      | 31.96           |
|                          | M – L                      | 31.96           |
|                          | XL – XXL                   | 31.96           |
| Adult Female Mini Shorts | XS – S                     | 34.00           |
|                          | M – L                      | 34.00           |
|                          | XL – XXL                   | 34.00           |
| Shirt Roll Neck          | 3-4 years                  | 48.59           |
|                          | 5-6 years                  | 51.83           |
|                          | 7-8 years                  | 53.99           |
|                          | 10-12 years                | 56.15           |
|                          | Adult Small – XXL          | 79.86           |
| Shirt Round Neck         | Adult (Male) Small – XXL   | 79.86           |
|                          | Adult (Female) Small – XXL | 79.86           |
|                          |                            | <b>Per Pair</b> |
| Tubular Sleeves          | 33cm long                  | 28.15           |
|                          | 50cm long                  | 34.74           |
|                          | Graduated 70cm long        | 42.89           |
| Leggings                 | 0-3 months                 | 28.09           |
|                          | 3-6 months                 | 28.15           |
|                          | 6-9 months                 | 29.28           |
|                          | 9-12 months                | 30.34           |
|                          | 12-18 months               | 30.40           |
|                          | 18-24 months               | 31.48           |
|                          | 24-36 months               | 31.53           |

**Silk Garments Cont**

|                          |                            |                    |
|--------------------------|----------------------------|--------------------|
| DermaSilk Leggings cont. | Size                       | <b>per pair</b>    |
|                          | 3-4 years                  | 32.66              |
|                          | Adult (Male) Small – XXL   | 80.80              |
|                          | Adult (Female) Small – XXL | 80.80              |
| Gloves                   | Small child                | 15.23              |
|                          | Medium child               | 15.23              |
|                          | Small adult                | 21.38              |
|                          | Medium Adult               | 21.38              |
|                          | Large Adult                | 21.38              |
|                          | Extra Large Adult          | 21.33              |
| Fingerless Gloves        | Child 3-4 years            | 15.06              |
|                          | Child 5-9 years            | 15.06              |
|                          | Adult Small                | 21.13              |
|                          | Adult Medium               | 21.13              |
|                          | Adult Large                | 21.13              |
|                          | Adult X Large              | 21.13              |
|                          | Adult XX Large             | 21.13              |
|                          |                            | <b>Per Set</b>     |
| Pyjamas                  | 3-4 years                  | 73.27              |
|                          | 5-6 years                  | 77.79              |
|                          | 7-8 years                  | 81.17              |
|                          | 10-12 years                | 84.56              |
|                          |                            | <b>Per pair</b>    |
| Comfort Socks            | Adult 5 - 6 1/2            | 18.88              |
|                          | Adult 7 - 8 1/2            | 18.88              |
|                          | Adult 9 - 10 1/2           | 18.88              |
|                          | Adult 11 – 13              | 18.88              |
|                          |                            | <b>Per 2 Pairs</b> |
| Knee-length Undersocks   | Standard Length            | 25.00              |
|                          | Longer Length              | 25.00              |
| Thigh Length Undersock   | Standard Length            | 35.60              |
|                          | Longer Length              | 35.60              |
| Undersocks               | Child 3 – 8                | 19.01              |
|                          | Child 9 – 1                | 19.01              |
|                          | Child 2 – 5                | 19.01              |
|                          | Adult 5 1/2 - 6 1/2        | 19.01              |
|                          | Adult 7 – 8 1/2            | 19.01              |
|                          | Adult 9 – 10 1/2           | 19.01              |
|                          | Adult 11 – 13              | 19.01              |
|                          |                            | <b>each</b>        |
| <b>DreamSkin</b>         | <b>Size</b>                |                    |
| Eye Mask                 | One Size                   | 10.46              |
| Head Mask                | Infant                     | 16.08              |
|                          | Child                      | 16.08              |
|                          | Teenager                   | 20.98              |
|                          | Adult                      | 20.98              |
| Body Suit                | 0-3 months                 | 36.52              |
|                          | 3-6 months                 | 37.04              |
|                          | 6-9 months                 | 38.54              |

**Silk Garments Cont**

|                                  |                            |                 |
|----------------------------------|----------------------------|-----------------|
| DreamSkin cont                   | Size                       | each            |
|                                  | 9-12 months                | 39.10           |
|                                  | 12-18 months               | 39.61           |
|                                  | 18-24 months               | 40.15           |
|                                  | 24-36 months               | 40.68           |
|                                  | 3-4 years                  | 41.76           |
| Shirt Polo Neck                  | 3-4 years                  | 47.23           |
|                                  | 5-6 years                  | 50.39           |
|                                  | 7-8 years                  | 52.49           |
|                                  | 9-10 years                 | 53.54           |
|                                  | 11-12 years                | 54.59           |
|                                  | Adult (Male) Small – XXL   | 77.64           |
|                                  | Adult (Female) Small – XXL | 77.64           |
| Shirt Round Neck                 | 3-4 years                  | 47.24           |
|                                  | 5-6 years                  | 49.34           |
|                                  | 7-8 years                  | 51.45           |
|                                  | 9-10 years                 | 52.50           |
|                                  | 11-12 years                | 53.55           |
|                                  | Adult (Male) Small – XXL   | 77.64           |
|                                  | Adult (Female) Small – XXL | 77.64           |
| Briefs and Fitted Boxers         | 3-4 years                  | 22.02           |
|                                  | 5-6 years                  | 22.02           |
|                                  | 7-8 years                  | 22.02           |
|                                  | 9-10 years                 | 22.02           |
|                                  | 11-12 years                | 22.02           |
|                                  | Adult (Male) Small – XXL   | 34.63           |
|                                  | Adult (Female) Small – XXL | 32.53           |
|                                  |                            | <b>Per pair</b> |
| Tubular Sleeves                  | 33cm long                  | 27.15           |
|                                  | 50cm long                  | 33.77           |
| Baby Leggings with foldaway feet | 0-3 months                 | 25.92           |
|                                  | 3-6 months                 | 26.44           |
|                                  | 6-9 months                 | 27.82           |
|                                  | 9-12 months                | 28.36           |
|                                  | 12-18 months               | 28.89           |
|                                  | 18-24 months               | 29.43           |
|                                  | 24-36 months               | 29.96           |
|                                  | 3-4 years                  | 31.04           |
| Leggings (Footless)              | 3-4 years                  | 31.04           |
|                                  | 5-6 years                  | 32.57           |
|                                  | 7-8 years                  | 33.10           |
|                                  | 9-10 years                 | 33.62           |
|                                  | 11-12 years                | 34.15           |
|                                  | Adult (Male) Small –XXL    | 78.55           |
|                                  | Adult (Female) Small – XXL | 78.55           |
| Gloves                           | Small Child                | 14.69           |
|                                  | Medium Child               | 14.69           |
|                                  | Small Adult                | 20.62           |
|                                  | Medium Adult               | 20.62           |
|                                  | Large Adult                | 20.62           |
|                                  | Extra Large Adult          | 20.62           |

**Silk Garments Cont**

|                      |                        |                    |       |
|----------------------|------------------------|--------------------|-------|
|                      |                        | <b>Per set</b>     |       |
| Pyjamas              | 3-4 years              | 69.63              |       |
|                      | 5-6 years              | 73.92              |       |
|                      | 7-8 years              | 77.13              |       |
|                      | 9-10 years             | 78.77              |       |
|                      | 11-12 years            | 80.35              |       |
|                      |                        | <b>Per 2 pairs</b> |       |
| Liner Socks          | Child 3 – 5 ½          | 18.48              |       |
|                      | Child 6 – 8 ½          | 18.48              |       |
|                      | Child 9 – 12           | 18.48              |       |
|                      | Child 12 ½ - 3 ½       | 18.48              |       |
|                      | Child 4 – 5 ½          | 18.48              |       |
|                      | Adult (Female) 4 – 5 ½ | 18.48              |       |
|                      | Adult (Female) 6 – 8 ½ | 18.48              |       |
|                      | Adult (Male) 6 – 8 ½   | 18.48              |       |
| Heel-Less Undersocks | Adult (Male) 9 – 11    | 18.48              |       |
|                      | One Size               | 24.30              |       |
| <b>Skinnies Silk</b> | <b>Size</b>            | <b>each</b>        |       |
| Clavas               | 6 months-5 years       | 15.53              |       |
|                      | 5-14 years             | 15.53              |       |
| Leggings             | 6-24 months            | 26.52              |       |
|                      | 2-5 years              | 29.78              |       |
|                      | 5-8 years              | 31.37              |       |
|                      | 8-11 years             | 34.30              |       |
|                      | 11-14 years            | 37.66              |       |
|                      | Adult Small            | 73.42              |       |
|                      | Adult Medium           | 75.52              |       |
|                      | Adult Large            | 77.33              |       |
|                      | Tops                   | 6-24 months        | 46.64 |
|                      |                        | 2-5 years          | 49.82 |
| 5-8 years            |                        | 51.94              |       |
| 8-11 years           |                        | 54.07              |       |
| 11-14 years          |                        | 55.12              |       |
| Adult Small          |                        | 73.42              |       |
| Adult Medium         |                        | 75.52              |       |
| Baby Grow            | Adult Large            | 77.33              |       |
|                      | 0-3 months             | 37.57              |       |
|                      | 3-6 months             | 37.57              |       |
| Shorts               | 6-12 months            | 39.73              |       |
|                      | 6-24 months            | 20.97              |       |
|                      | 2-5 years              | 20.97              |       |
|                      | 5-8 years              | 20.97              |       |
|                      | 8-11 years             | 20.97              |       |
|                      | 11-14 years            | 23.07              |       |
|                      | Adult Small            | 39.85              |       |
| Adult Medium         | 40.38                  |                    |       |
| Adult Large          | 40.90                  |                    |       |



**Silk Garments Cont****Skinnies Silk cont**

Vests Sleeveless

**Size****each**

Child 6-24 months

44.36

Child 2-5 years

44.89

Child 5-8 years

45.41

Child 8-11 years

45.94

Child 11-14 years

46.27

Adult Small

70.80

Adult Medium

72.37

Adult Large

73.42

Short Sleeve Vests

6-24 months

45.52

2-5 years

46.67

5-8 years

47.20

8-11 years

47.32

11-14 years

47.72

Adult Small

72.37

Adult Medium

74.47

Adult Large

76.57

**per pair**

Mittens

0-24 months

14.15

2-8 years

14.15

8-14 years

14.15

Gloves

Child Small

13.87

Child Medium

14.15

Child Large

14.68

Adult Small

18.86

Adult Medium

19.08

Adult Large

19.89

Tubular Sleeves

33cm long

25.56

50cm long

30.69

Socks

6months-8 years

17.57

8-14 years

17.57

Knee Length Sock

Child Small

23.49

Child Medium

23.49

Child Large

23.49

Adult Small

23.49

Adult Medium

23.49

Adult Large

23.49

Adult XL

23.49

**Sodium Hyaluronate Injection****TendoVis**

1 injection

**each**

69.50

**SportVis**

2 injections

139.00

**Spacer/Holding Chamber Device****A2A Spacer****each**

4.15

**A2A Spacer** with small or medium mask

6.68

**Able Spacer**

4.39

**Able Spacer** with either Small (infant), Medium (child) mask

7.16

**Spacer/Holding Chamber Device-cont.**

|   |                  |
|---|------------------|
| <b>AeroChamber Plus</b>   | 5.06             |
| <b>AeroChamber Plus</b> with adult, child or infant face mask                         | 8.44             |
| <b>AeroChamber Plus Flow-Vu Anti-Static</b>   | 5.22             |
| <b>AeroChamber Plus Flow-Vu Anti-Static</b> youth (5+ years)                          | 5.22             |
| <b>AeroChamber Plus Flow-Vu Anti-Static</b> with small mask for infants (0-18 months) | 8.72             |
| <b>AeroChamber Plus Flow-Vu Anti-Static</b> with medium mask for children (1-5 years) | 8.72             |
| <b>AeroChamber Plus Flow-Vu Anti-Static</b> with adult small mask                     | 8.72             |
| <b>AeroChamber Plus Flow-Vu Anti-Static</b> with adult large mask                     | 8.72             |
| <b>Antistatic Space Chamber Plus</b>  | 4.45             |
| <b>Antistatic Space Chamber Plus</b> with small mask                                  | 7.45             |
| <b>Antistatic Space Chamber Plus</b> with medium mask                                 | 7.45             |
| <b>Antistatic Space Chamber Plus</b> with large mask                                  | 7.45             |
| <b>Antistatic Space Chamber Plus Compact</b>  | 4.45             |
| <b>Antistatic Space Chamber Plus Compact</b> with small mask                          | 7.45             |
| <b>Antistatic Space Chamber Plus Compact</b> with medium mask                         | 7.45             |
| <b>Antistatic Space Chamber Plus Compact</b> with large mask                          | 7.45             |
|   | <b>pack of 2</b> |
| <b>Clip-Tone E</b>  | 2.90             |
| <b>Clip-Tone F</b>  | 2.90             |
|   | <b>each</b>      |
| <b>EasyChamber Spacer</b>   | 3.98             |
| <b>EasyChamber Spacer</b> with infant mask  | 6.53             |
| <b>EasyChamber Spacer</b> with child mask   | 6.55             |
| <b>EasyChamber Spacer</b> with adult mask   | 6.59             |
| <b>e-Chamber La Grande Spacer</b>   | 4.45             |
| <b>e-Chamber La Petite Spacer</b>   | 4.35             |
| <b>e-Chamber La Petite Spacer</b> with mask   | 6.50             |
|   | <b>pack of 2</b> |
| <b>Flo-Tone MDI</b> (regular fit)   | 2.90             |
| <b>Flo-Tone MDI</b> (circular fit)  | 2.90             |
|   | <b>each</b>      |
| <b>Free Breath Spacer</b>   | 4.50             |
| <b>Free Breath Spacer</b> with removable adult, child or infant face mask             | 7.20             |
| <b>OptiChamber</b>  | 4.28             |
| <b>OptiChamber Diamond</b>  | 4.49             |
| <b>OptiChamber Diamond</b> with small LiteTouch Mask (0-18 months)                    | 7.49             |
| <b>OptiChamber Diamond</b> with medium LiteTouch Mask (1-5 years)                     | 7.49             |
| <b>OptiChamber Diamond</b> with large LiteTouch Mask (5 years - adult)                | 7.49             |
| <b>Pocket Chamber</b>   | 4.18             |
| <b>Pocket Chamber</b> with infant, child, teenager or adult mask                      | 9.75             |
| <b>Rossmax Anti-Static Aero Spacer</b>  | 4.20             |
| <b>Rossmax Anti-Static Aero Spacer</b> with small mask (0-18 months)                  | 5.40             |
| <b>Rossmax Anti-Static Aero Spacer</b> with medium mask (1-5 years)                   | 5.40             |
| <b>Rossmax Anti-Static Aero Spacer</b> with large mask (5 years - adult)              | 5.40             |
| <b>Space Chamber Plus</b>   | 4.26             |
| <b>Space Chamber Plus</b> with small, medium or large mask                            | 6.98             |
| <b>Space Chamber Plus Compact</b>   | 4.26             |
| <b>Space Chamber Plus Compact</b> with small, medium or large mask                    | 6.98             |
| <b>Volumatic</b>  | 3.88             |
| <b>Volumatic</b> with paediatric mask   | 6.83             |
| <b>zerostat VT spacer</b>   | 4.26             |

**Spinal Alignment Cushion**

|                      |                   |                      |
|----------------------|-------------------|----------------------|
| <b>Rophi Cushion</b> | 18cm x 18cm x 9cm | <b>each</b><br>12.00 |
|----------------------|-------------------|----------------------|

**Stockinette**

To be supplied in sealed packets as received from the manufacturer or wholesaler.

|   |            |      |
|---|------------|------|
| <b>Cotton Stockinette, Bleached BP 1988 Heavyweight</b> | 2.5cm x 1m | 0.41 |
| (Syn. Cotton Stockinette)                               | 5cm x 1m   | 0.64 |
|   | 7.5cm x 1m | 0.76 |
|   | 10cm x 6m  | 5.22 |

NB: 1m in length for use as a basic for Plaster of Paris or other bandages. 6m length for use as a compression bandage.

**Cotton Impregnated with Antimicrobial Agents - Garments**

|   |                  |                      |
|---|------------------|----------------------|
| <b>skintoskin</b>                                 |                  | <b>Pack of 1 set</b> |
| born Kit  | Summer           | 34.00                |
|   | Winter           | 39.00                |
|   |                  | <b>Pack of 1</b>     |
| Babygrow  | 0-3 months       | 16.95                |
|   | 3-6 months       | 16.95                |
|   | 6-9 months       | 16.95                |
|   | 9-12 months      | 16.95                |
|   | 12-18 months     | 16.95                |
|   | 18-24 months     | 16.95                |
|   |                  | <b>Pack of 2</b>     |
| Body Suit (winter)                                | 0-3 months       | 32.00                |
|   | 3-6 months       | 32.00                |
|   | 6-9 months       | 32.00                |
|   | 9-12 months      | 32.00                |
|   | 12-18 months     | 32.00                |
|   | 18-24 months     | 32.00                |
| T-Shirt (long sleeve)                             | 2-3 years        | 33.00                |
|   | 4-5 years        | 33.00                |
|   | 6-7 years        | 33.00                |
|   | 8-10 years       | 38.00                |
|   | 11-13 years      | 38.00                |
|   | Adult Small – XL | 44.00                |
| T-Shirt (short sleeve)                            | 2-3 years        | 32.00                |
|   | 4-5 years        | 32.00                |
|   | 6-7 years        | 32.00                |
|   | 8-10 years       | 37.00                |
|   | 11-13 years      | 37.00                |
|   | Adult Small – XL | 43.00                |
| Leggings (footless)                               | 2-3 years        | 36.00                |
|   | 4-5 years        | 36.00                |
|   | 6-7 years        | 36.00                |
|   | 8-10 years       | 39.00                |
|   | 11-13 years      | 39.00                |
| Leggings (footless)(available as female and male) | Adult Small – XL | 48.00                |
| Leggings with feet                                | 0-3 months       | 28.00                |
|   | 3-6 months       | 28.00                |
|   | 6-9 months       | 28.00                |
|   | 9-12 months      | 28.00                |
|   | 12-18 months     | 28.00                |
|   | 18-24 months     | 28.00                |

**Cotton Impregnated with Antimicrobial Agents - Garments cont****Skintoskin cont**

|                |                  | <b>Pack of 2</b>      |
|----------------|------------------|-----------------------|
| Boxer (female) | 2-3 years        | 22.00                 |
|                | 4-5 years        | 22.00                 |
|                | 6-7 years        | 22.00                 |
|                | 8-10 years       | 26.00                 |
|                | 11-13 years      | 26.00                 |
|                | Adult Small – XL | 26.00                 |
| Boxer (male)   | 2-3 years        | 23.00                 |
|                | 4-5 years        | 23.00                 |
|                | 6-7 years        | 23.00                 |
|                | 8-10 years       | 27.00                 |
|                | 11-13 years      | 27.00                 |
|                | Adult Small – XL | 27.00                 |
| Socks          |                  | <b>Pack of 3 pair</b> |
|                | Child 22-24      | 18.00                 |
|                | Child 25-27      | 18.00                 |
|                | Child 28-30      | 18.00                 |
|                | Child 31-33      | 22.00                 |
|                | Child 34-36      | 22.00                 |
|                | Child 36-38      | 22.00                 |
|                | Child 37-39      | 22.00                 |
|                | Adult 39-41      | 22.00                 |
|                | Adult 42-45      | 22.00                 |

**Elasticated Nylon/Elastane Stockinette - Garments****Skinnies WEB**

|                        |             | <b>each</b> |
|------------------------|-------------|-------------|
| Skull Cap              | 0-5 years   | 35.00       |
|                        | 5-11 years  | 35.00       |
|                        | 11-14 years | 35.00       |
|                        | S,M,L       | 40.50       |
| Clava                  | 0-5 years   | 35.00       |
|                        | 5-11 years  | 35.00       |
|                        | 11-14 years | 35.00       |
|                        | S,M,L       | 40.50       |
| Round Top Long Sleeve  | 0-24 months | 85.00       |
|                        | 2-7 years   | 85.00       |
|                        | 7-11 years  | 85.00       |
|                        | 11-14 years | 85.00       |
| Round Top Short Sleeve | XS,S,M,L,XL | 99.00       |
|                        | 0-24 months | 75.00       |
|                        | 2-7 years   | 75.00       |
|                        | 7-11 years  | 75.00       |
| High Top Long Sleeve   | 11-14 years | 75.00       |
|                        | XS,S,M,L,XL | 90.00       |
|                        | 0-24 months | 90.00       |
|                        | 2-7 years   | 90.00       |
| High Top Short Sleeve  | 7-11 years  | 90.00       |
|                        | 11-14 years | 90.00       |
|                        | XS,S,M,L,XL | 105.75      |
|                        | 0-24 months | 80.00       |
| Wrap Top Long Sleeve   | 2-7 years   | 80.00       |
|                        | 7-11 years  | 80.00       |
|                        | 11-14 years | 80.00       |
|                        | XS,S,M,L,XL | 96.75       |
| Wrap Top Short Sleeve  | XS,S,M,L,XL | 148.50      |
|                        | XS,S,M,L,XL | 135.00      |
| Wrap Top Sleeveless    | XS,S,M,L,XL | 121.50      |
|                        | XS,S,M,L,XL | 72.00       |
| Single Arm Top         | XS,S,M,L,XL | 72.00       |

|                     |             |       |
|---------------------|-------------|-------|
| Arm Tube            | 0-5 years   | 45.00 |
|                     | 5-11 years  | 45.00 |
|                     | 11-14 years | 45.00 |
| Lower Leg Tube      | S,M,L       | 51.75 |
|                     | 0-5 years   | 45.00 |
|                     | 5-11 years  | 45.00 |
| Upper Leg Tube      | 11-14 years | 45.00 |
|                     | S,M,L       | 51.75 |
|                     | 0-5 years   | 45.00 |
| Waist Tube          | 5-11 years  | 45.00 |
|                     | 11-14 years | 45.00 |
|                     | S,M,L       | 51.75 |
| Leggings            | 0-5 years   | 45.00 |
|                     | 5-11 years  | 45.00 |
|                     | 11-14 years | 45.00 |
| Crotchless Leggings | S,M,L       | 51.75 |
|                     | 0-24 months | 75.00 |
|                     | 2-7 years   | 75.00 |
| Single Leg Leggings | 7-11 years  | 75.00 |
|                     | 11-14 years | 75.00 |
|                     | XS,S,M,L,XL | 83.25 |
| Shorts              | XS,S,M,L,XL | 83.25 |
|                     | 0-24 months | 50.00 |
|                     | 2-7 years   | 50.00 |
| Crotchless Shorts   | 7-11 years  | 50.00 |
|                     | 11-14 years | 50.00 |
|                     | XS,S,M,L,XL | 58.50 |
| Single Leg Shorts   | XS,S,M,L,XL | 58.50 |
|                     | 0-5 years   | 35.00 |
|                     | 5-11 years  | 35.00 |
| Socks               | 11-14 years | 35.00 |
|                     | S,M,L       | 40.50 |
|                     | 0-5 years   | 45.00 |
| Gloves Full 5 Digit | 5-11 years  | 45.00 |
|                     | 11-14 years | 45.00 |
|                     | S,M,L       | 51.75 |
| Gloves Half 5 Digit | 0-5 years   | 40.00 |
|                     | 5-11 years  | 40.00 |
|                     | 11-14 years | 40.00 |
| Gloves 2 Digit      | S,M,L       | 45.00 |
|                     | S,M,L       | 40.50 |
|                     | S,M,L       | 40.50 |
| Mitten              | S,M,L       | 40.50 |

**Stockinette cont.****Elasticated Surgical Tubular Stockinette Foam Padded****Tubipad**

|                   |              |              |       |
|-------------------|--------------|--------------|-------|
| Heel, Elbow, Knee | Small 'P4'   | 6.5cm x 60cm | 3.04  |
|                   | Medium 'P4X' | 7.5cm x 60cm | 3.28  |
|                   | Large 'P5'   | 10cm x 60cm  | 3.51  |
| Sacral            | Medium 'P9'  | 28cm x 27cm  | 15.51 |
|                   | Large 'P9'   | 35cm x 27cm  | 15.51 |

**Elasticated Tubular Bandage BP**

(Elasticated Surgical Tubular Stockinette, ESTS, Elasticated Stockinette)

| Size                | 4.5cm       |           | 6.25cm      |           | 6.75cm      |           | 7.5         |           |
|---------------------|-------------|-----------|-------------|-----------|-------------|-----------|-------------|-----------|
| Ref.                | <b>A</b>    |           | <b>B</b>    |           | <b>C</b>    |           | <b>D</b>    |           |
| Quantity            | <b>0.5m</b> | <b>1m</b> | <b>0.5m</b> | <b>1m</b> | <b>0.5m</b> | <b>1m</b> | <b>0.5m</b> | <b>1m</b> |
| <b>CLINigrip</b>    | 0.63        | 1.14      | 0.63        | 1.13      | 0.67        | 1.20      | 0.68        | 1.22      |
| <b>Comfigrip</b>    | -           | -         | 0.61        | 1.10      | 0.65        | 1.17      | 0.66        | 1.19      |
| <b>easiGRIP</b>     | -           | -         | 0.62        | 1.12      | 0.66        | 1.19      | 0.68        | 1.21      |
| <b>Eesiban ESTS</b> | -           | -         | 0.87        | 1.57      | 0.95        | 1.66      | 0.95        | 1.66      |
| <b>Surgrip</b>      | -           | -         | 0.58        | 1.05      | 0.62        | 1.12      | 0.63        | 1.14      |
| <b>Tubigrip</b>     | -           | -         | 1.03        | 1.86      | 1.12        | 1.96      | 1.12        | 1.96      |

| Size                | 8.75cm      |           | 10cm        |           | 12cm        |           | 17.5        |           |
|---------------------|-------------|-----------|-------------|-----------|-------------|-----------|-------------|-----------|
| Ref.                | <b>E</b>    |           | <b>F</b>    |           | <b>G</b>    |           | <b>J</b>    |           |
| Quantity            | <b>0.5m</b> | <b>1m</b> | <b>0.5m</b> | <b>1m</b> | <b>0.5m</b> | <b>1m</b> | <b>0.5m</b> | <b>1m</b> |
| <b>CLINigrip</b>    | 0.76        | 1.29      | 0.76        | 1.29      | 0.79        | 1.52      | 0.95        | 1.64      |
| <b>Comfigrip</b>    | 0.74        | 1.26      | 0.74        | 1.26      | 0.77        | 1.47      | -           | -         |
| <b>easiGRIP</b>     | 0.75        | 1.28      | 0.75        | 1.28      | 0.78        | 1.50      | -           | -         |
| <b>Eesiban ESTS</b> | 1.05        | 1.80      | 1.05        | 1.80      | 1.09        | 2.09      | -           | -         |
| <b>Surgrip</b>      | 0.71        | 1.20      | 0.71        | 1.20      | 0.74        | 1.42      | -           | -         |
| <b>Tubigrip</b>     | 1.24        | 2.13      | 1.24        | 2.13      | 1.29        | 2.46      | -           | -         |

- NB: 1 Where no quantity is stated by the prescriber the 0.5 metre length should be supplied.  
 2 Where the size is not stated by the prescriber, the size supplied should be endorsed.  
 3 Where the brand is not stated by the prescriber the basic price of this stockinette must not exceed:

| Size and Quantity | <b>each</b> |                | <b>each</b> |                | <b>each</b> |
|-------------------|-------------|----------------|-------------|----------------|-------------|
| 4.5cm x 0.5m      | 0.63        | 7.5cm x 0.5m   | 0.63        | 12.00cm x 0.5m | 0.74        |
| 4.5cm x 1.0m      | 1.14        | 7.5cm x 1.0m   | 1.14        | 12.00cm x 1.0m | 1.42        |
| 6.25cm x 0.5m     | 0.58        | 8.75cm x 0.5m  | 0.71        | 17.50cm x 0.5m | 0.95        |
| 6.25cm x 1.0m     | 1.05        | 8.75cm x 1.0m  | 1.20        | 17.50cm x 1.0m | 1.64        |
| 6.75cm x 0.5m     | 0.62        | 10.00cm x 0.5m | 0.71        |                |             |
| 6.75cm x 1.0m     | 1.12        | 10.00cm x 1.0m | 1.20        |                |             |

**Stockinette cont.****Elasticated Viscose Stockinette – Bandage**

(Lightweight Elasticated Viscose Tubular Bandage)

A lightweight, plain-knitted elasticated tubular fabric for dressing retention: washable for re-use

|   | Small Limb 3.5cm<br>(Red Line) |      |      | Medium Limb 5.0cm<br>(Green Line) |      | Large Limb 7.5cm<br>(Blue Line) |      |    |    |
|---|--------------------------------|------|------|-----------------------------------|------|---------------------------------|------|----|----|
|   | 1m                             | 3m   | 5m   | 1m                                | 3m   | 5m                              | 1m   | 3m | 5m |
| <b>Acti-Fast 2-way stretch</b>                | 0.58                           | 0.60 | 1.67 | 2.90                              | 0.80 | 2.20                            | 3.64 |    |    |
| <b>CliniFast</b>                              | 0.57                           | 0.59 | 1.64 | 2.84                              | 0.78 | 2.15                            | 3.78 |    |    |
| <b>Comfast</b>                                | 0.56                           | 0.58 | 1.62 | 2.81                              | 0.77 | 2.13                            | 3.74 |    |    |
| <b>Comfast MultiStretch<br/>2-way stretch</b> | 0.61                           | 0.63 | 1.75 | 3.03                              | 0.83 | 2.30                            | 3.95 |    |    |
| <b>Easifast</b>                               | 0.65                           | 0.69 | 1.96 | 3.42                              | 0.94 | 2.61                            | 4.52 |    |    |
| <b>● Flexifast</b>                            | 0.50                           | 0.52 | 1.46 | 2.53                              | 0.69 | 1.91                            | 3.37 |    |    |
| <b>Fortuna Fast</b>                           | 0.85                           | 0.89 | 2.13 | 3.05                              | 1.23 | 2.68                            | 3.75 |    |    |
| <b>Tubifast 2- way stretch</b>                | 0.63                           | 0.65 | 1.81 | 2.85                              | 0.78 | 2.16                            | 3.60 |    |    |

|   | Trunk (Child) 10.75cm<br>(Yellow Line) |      |      | Trunk (Adult) 17.5cm<br>(Beige Line) |      | Trunk (Large Adult)<br>20cm (Purple Line) |    |    |
|---|--|------|------|--------------------------------------|------|---|----|----|
|   | 1m                                     | 3m   | 5m   | 1m                                   | 3m   | 5m  | 1m | 5m |
| <b>Acti-Fast 2-way stretch</b>                | 1.24                                   | 3.61 | 5.88 | 1.89                                 | 3.31 | 16.29                                     |    |    |
| <b>CliniFast</b>                              | 1.21                                   | 3.53 | 6.11 | 1.85                                 | -    | -   |    |    |
| <b>Comfast</b>                                | 1.20                                   | 3.49 | 6.04 | 1.83                                 | -    | -   |    |    |
| <b>Comfast MultiStretch<br/>2-way stretch</b> | 1.30                                   | 3.77 | 6.45 | 2.49                                 | -    | -   |    |    |
| <b>Easifast</b>                               | 1.51                                   | 4.27 | 7.23 | 1.91                                 | -    | -   |    |    |
| <b>● Flexifast</b>                            | 1.08                                   | 3.14 | 5.44 | 1.65                                 | -    | -   |    |    |
| <b>Fortuna Fast</b>                           | 1.75                                   | 3.75 | 6.04 | 2.28                                 | -    | -   |    |    |
| <b>Tubifast 2- way stretch</b>                | 1.22                                   | 3.54 | 5.82 | -                                    | 3.24 | 16.32                                     |    |    |

● Please refer to manufacturer for availability

**Stockinette cont.**

Elasticated Viscose Stockinette -Garments

|                              |                    | <b>CliniFast</b> | <b>Comfast<br/>Easy Wrap<br/>each</b> | <b>Skinnies<br/>Viscose</b> | <b>Tubifast 2-<br/>way stretch</b> |
|------------------------------|--------------------|------------------|---------------------------------------|-----------------------------|------------------------------------|
| <b>Body Suit</b>             | Up to 3 months     | -                | -                                     | 18.24                       | -                                  |
|                              | 3-6 months         | -                | -                                     | 18.24                       | -                                  |
|                              | 6-12 months        |                  |                                       | 20.54                       |                                    |
| <b>Clava</b>                 | 6 months - 5 years | 5.99             | 5.85                                  | 7.60                        | -                                  |
|                              | 5 - 14 years       | 6.92             | 6.75                                  | 8.72                        | -                                  |
| <b>Vest Long<br/>Sleeve</b>  | 6 - 24 months      | 7.31             | 7.13                                  | 11.81                       | 11.87                              |
|                              | 2 - 5 years        | 9.74             | 9.50                                  | 15.49                       | 15.82                              |
|                              | 5 - 8 years        | 10.95            | 10.69                                 | 17.50                       | 17.80                              |
|                              | 8 - 11 years       | 12.17            | 11.88                                 | 19.39                       | 19.78                              |
|                              | 11 - 14 years      | 12.17            | 11.88                                 | 19.39                       | 19.78                              |
|                              | Small Adult        | 13.07            | 12.75                                 | 23.98                       | -                                  |
|                              | Medium adult       | 14.90            | 14.54                                 | 26.17                       | -                                  |
|                              | Large Adult        | 16.99            | 16.58                                 | 28.34                       | -                                  |
| <b>Vest Short<br/>Sleeve</b> | 6-24 months        |                  |                                       | 11.71                       |                                    |
|                              | 2-5 years          |                  |                                       | 15.37                       |                                    |
|                              | 5-8 years          |                  |                                       | 17.33                       |                                    |
|                              | 8-11 years         |                  |                                       | 19.27                       |                                    |
|                              | 11-14 years        |                  |                                       | 19.27                       |                                    |
|                              | Small Adult        | 12.90            | -                                     | 23.87                       | -                                  |
|                              | Medium Adult       | 14.71            | -                                     | 26.05                       | -                                  |
|                              | Large Adult        | 16.77            | -                                     | 28.23                       | -                                  |
| <b>Vest<br/>Sleeveless</b>   | 6 – 24 months      | -                | -                                     | 11.71                       | -                                  |
|                              | 2 - 5 years        | -                | -                                     | 15.37                       | -                                  |
|                              | 5 - 8 years        | -                | -                                     | 17.38                       | -                                  |
|                              | 8 - 11 years       | -                | -                                     | 19.27                       | -                                  |
|                              | 11 - 14 years      | -                | -                                     | 19.27                       | -                                  |
|                              | Small Adult        | -                | -                                     | 23.87                       | -                                  |
|                              | Medium adult       | -                | -                                     | 26.05                       | -                                  |
|                              | Large Adult        | -                | -                                     | 28.23                       | -                                  |
| <b>Cycle<br/>Shorts</b>      |                    |                  | <b>per pair</b>                       |                             |                                    |
|                              | Small Adult        | 12.90            | -                                     | -                           | -                                  |
|                              | Medium Adult       | 14.71            | -                                     | -                           | -                                  |
|                              | Large Adult        | 16.77            | -                                     | -                           | -                                  |



**Stockinette cont.**

Elasticated Viscose Stockinette –Garments cont

|                  |   | <b>CliniFast</b> | <b>Comfifast<br/>Easy Wrap<br/>per pair</b> | <b>Skinnyes<br/>Viscose</b> | <b>Tubifast 2-<br/>way stretch</b> |
|------------------|---|------------------|---|-----------------------------|------------------------------------|
| <b>Gloves</b>    | Extra Small Child                       | -                | -   | -                           | 5.95                               |
|                  | Small Child                             | 5.15             | -   | 5.97                        | 5.95                               |
|                  | Medium Child                            | 5.15             | -   | 6.02                        | -                                  |
|                  | Large Child                             | -                | -   | 6.02                        | -                                  |
|                  | Large Child, Small Adult                | 5.15             | -   | -                           | -                                  |
|                  | Small Adult                             | -                | -   | 5.97                        | -                                  |
|                  | Small/Medium Adult,<br>Med./Large Child | -                | -   | -                           | 5.95                               |
|                  | Medium Adult                            | 5.15             | -   | 6.02                        | -                                  |
|                  | Medium/Large Adult                      | -                | -   | -                           | 5.95                               |
|                  | Large Adult                             | 5.15             | -   | 6.02                        | -                                  |
|                  | <b>Knee<br/>Length<br/>Shorts</b>       | 6-24 months      | -   | -                           | 11.71                              |
| 2-5 years        |   | -                | -   | 15.37                       | -                                  |
| 5 - 8 years      |   | -                | -   | 17.38                       | -                                  |
| 8 - 11 years     |   | -                | -   | 19.27                       | -                                  |
| 11 - 14 years    |   | -                | -   | 19.27                       | -                                  |
| Small Adult      |   | -                | -   | 23.87                       | -                                  |
| Medium adult     |   | -                | -   | 26.05                       | -                                  |
| <b>Knee Sock</b> | Large Adult                             | -                | -   | 28.23                       | -                                  |
|                  | Small Child 0-1                         | -                | -   | 15.72                       | -                                  |
|                  | Medium Child 1-2                        | -                | -   | 15.72                       | -                                  |
|                  | Large Child 2-4                         | -                | -   | 15.72                       | -                                  |
|                  | Small Adult 4-6                         | -                | -   | 15.72                       | -                                  |
|                  | Medium Adult 6-8                        | -                | -   | 15.72                       | -                                  |
|                  | Large Adult 8-11                        | -                | -   | 15.72                       | -                                  |
| <b>Leggings</b>  | X Large Adult 11+                       | -                | -   | 15.72                       | -                                  |
|                  | 6 – 24 months                           | -                | -   | 11.81                       | -                                  |
|                  | 2 - 5 years                             | 9.74             | 9.50  | 15.49                       | 15.82                              |
|                  | 5 - 8 years                             | 10.95            | 10.69                                       | 17.50                       | 17.80                              |
|                  | 8 - 11 years                            | 12.17            | 11.88                                       | 19.39                       | 19.78                              |
|                  | 11 - 14 years                           | 12.17            | 11.88                                       | 19.39                       | 19.78                              |
|                  | Small Adult                             | 13.07            | 12.75                                       | 23.98                       | -                                  |
| <b>Mittens</b>   | Medium adult                            | 14.90            | 14.54                                       | 26.17                       | -                                  |
|                  | Large Adult                             | 16.99            | 16.58                                       | 28.34                       | -                                  |
|                  | Up to 24 months                         | 3.04             | 2.97  | 4.36                        | -                                  |
|                  | 2 - 8 years                             | 3.04             | 2.97  | 4.36                        | -                                  |
| <b>Socks</b>     | 8 - 14 years                            | 3.04             | 2.97  | 4.36                        | -                                  |
|                  | One Size                                | -                | -   | -                           | 5.01                               |
|                  | Up to 8 years                           | 3.04             | 2.97  | -                           | -                                  |
| <b>Tights</b>    | 6m – 8 years                            | -                | -   | 4.82                        | -                                  |
|                  | 8 - 14 years                            | 3.07             | 2.97  | 4.82                        | -                                  |
|                  | 6-24 months                             | 7.31             | 7.13  | -                           | 11.72                              |

**Stockinette cont.**

|                    |  |                  |                 |
|--------------------|--|------------------|-----------------|
| <b>Skinnies AM</b> |  |                  |                 |
| Clava              |  | Size             | <b>each</b>     |
|                    |  | 6 months-5 years | 11.41           |
|                    |  | 5-14 years       | 13.08           |
|                    |  |                  | <b>per pair</b> |
| Mittens            |  | 0-24 months      | 6.55            |
|                    |  | 2-8 years        | 6.98            |
|                    |  | 8-14 years       | 7.51            |
| Socks              |  | 6 months-8 years | 8.30            |
|                    |  | 8-14 years       | 9.37            |
|                    |  |                  | <b>Each</b>     |
| Legs               |  | 6-24 months      | 17.73           |
|                    |  | 2-5 years        | 23.24           |
|                    |  | 5-8 years        | 26.25           |
|                    |  | 8-11 years       | 29.09           |
|                    |  | 11-14 years      | 30.16           |
| Tops               |  | 6-24 months      | 17.73           |
|                    |  | 2-5 years        | 23.24           |
|                    |  | 5-8 years        | 26.25           |
|                    |  | 8-11 years       | 29.09           |
|                    |  | 11-14 years      | 30.16           |
| Adult Tops         |  | Small            | 35.98           |
|                    |  | Medium           | 39.25           |
|                    |  | Large            | 42.51           |
| Adult Legs         |  | Small            | 35.98           |
|                    |  | Medium           | 39.25           |
|                    |  | Large            | 42.51           |
| Babygrow           |  | 0-3 months       | 27.37           |
|                    |  | 3-6 months       | 27.37           |
|                    |  | 6-12 months      | 30.82           |
|                    |  |                  | <b>per pair</b> |
| Child Gloves       |  | Small            | 8.95            |
|                    |  | Medium           | 9.03            |
|                    |  | Large            | 9.57            |
| Adult Gloves       |  | Small            | 8.95            |
|                    |  | Medium           | 9.03            |
|                    |  | Large            | 9.57            |
| Adult Dermasock    |  | Small            | 22.48           |
|                    |  | Medium           | 22.48           |
|                    |  | Large            | 22.48           |
|                    |  | X Large          | 22.48           |
| Child Dermasock    |  | Small            | 22.48           |
|                    |  | Medium           | 22.48           |
|                    |  | Large            | 22.48           |

**Stockinette cont.**

|                           |             |                 |
|---------------------------|-------------|-----------------|
| Shorts                    | 6-24 months | 17.57           |
|                           | 2-5 years   | 23.06           |
|                           | 5-8 years   | 26.08           |
|                           | 8-11 years  | 28.92           |
|                           | 11-14 years | 28.92           |
| Sleeveless Vest           | 6-24 months | 17.57           |
|                           | 2-5 years   | 23.06           |
|                           | 5-8 years   | 26.08           |
|                           | 8-11 years  | 28.92           |
|                           | 11-14 years | 29.99           |
| Short Sleeved Vests       | 6-24 months | 17.57           |
|                           | 2-5 years   | 23.06           |
|                           | 5-8 years   | 25.99           |
|                           | 8-11 years  | 28.92           |
|                           | 11-14 years | 29.99           |
| Adult Shorts              | Small       | 24.19           |
|                           | Medium      | 27.41           |
|                           | Large       | 30.64           |
| Adult Sleeveless Vests    | Small       | 36.01           |
|                           | Medium      | 39.08           |
|                           | Large       | 42.34           |
| Adult Short Sleeved Vests | Small       | 35.80           |
|                           | Medium      | 39.08           |
|                           | Large       | 42.34           |
| Tubules                   |             | <b>per pair</b> |
|                           | Elbow       | 17.19           |
|                           | Knee        | 19.24           |

**Stockinette cont.****Ribbed Cotton Surgical Tubular Stockinette**

| <b><u>Eesiban</u></b>                        |            | <b>each</b> |   |
|--|------------|-------------|---|
| Arm/Leg (child); arm (adult)                 | 5cm x 5m   | 2.58        | ↑ |
| Arm (OS adult); leg (adult)                  | 7.5cm x 5m | 3.40        | ↑ |
| Leg (OS adult)                               | 10cm x 5m  | 4.50        | ↑ |
| Trunk (child)                                | 15cm x 5m  | 6.48        | ↑ |
| Trunk (adult)                                | 20cm x 5m  | 7.48        | ↑ |
| Trunk (OS adult)                             | 25cm x 5m  | 8.94        | ↑ |
| <br>   |            |             |   |
| <b><u>Ribbed Stockinette (Molnlycke)</u></b> |            |             |   |
| Arm/Leg (child); arm (adult)                 | 5cm x 5m   | 2.49        |   |
| Arm (OS adult); leg (adult)                  | 7.5cm x 5m | 3.30        |   |
| Leg (OS adult)                               | 10cm x 5m  | 4.38        |   |
| Trunk (child)                                | 15cm x 5m  | 6.30        |   |
| Trunk (adult)                                | 20cm x 5m  | 7.22        |   |
| Trunk (OS adult)                             | 25cm x 5m  | 8.71        |   |

**NB:**

One 5m length of the relevant width is sufficient to provide two sets of dressing for a pair of limbs or a trunk.

Two full suits for an OS adult are provided from one pack each of the 7.5cm, 10cm and 25cm widths.

Two full suits for a standard sized adult are provided from one pack each of the 5cm, 7.5cm and 20cm widths.

Two full suits for a young child are provided from one pack each of the 5 cm and 15 cm width.

**Stoma Appliances**

(Colostomy, Ileostomy)

All products - Manufacturer's list price as stated in the England & Wales Drug Tariff Price

**NB:** Where the prescriber has not specified the type of appliance or part thereof or accessory, the Chemist or Appliance Contractor must endorse the prescription stating the type supplied and submit the invoice to the BSO.

**Surgical Adhesive Tapes**

To be supplied on spools, suitably protected, or in tins or cartons as received from the manufacturer or wholesaler.

|  |  |                              |
|--|--|------------------------------|
| <b>Elastic Adhesive Tape BP 1988</b><br>(Syn. Elastic Surgical Adhesive Tape)                            | 2.5cm x 4.5m<br>stretched                          | 1.92                         |
| <b>Impermeable Plastic Adhesive Tape BP 1988</b><br>(Syn. Impermeable Plastic<br>Surgical Adhesive Tape) | 2.5cm x 3m<br>2.5cm x 5m<br>5cm x 5m<br>7.5cm x 5m | 1.52<br>2.27<br>2.88<br>4.19 |

**Surgical Adhesive Tapes cont****Impermeable Plastic Synthetic Adhesive Tape BP 1988**

(Syn. Impermeable Plastic Surgical Synthetic Adhesive Tape)

|                 |            |      |
|-----------------|------------|------|
| <b>Blenderm</b> | 5cm x 5m   | 3.43 |
| <b>Blue Dot</b> | 2.5cm x 5m | 0.19 |
|                 | 5cm x 5m   | 0.36 |
|                 | 7.5cm x 5m | 0.54 |

**Permeable, Apertured Non-Woven Synthetic Adhesive Tape BP 1988**

(Syn: Permeable Non-Woven Surgical Synthetic Adhesive Tape)

|  |              |       |
|--|--------------|-------|
| <b>Blue Dot Plastic Perforated Medical Tape</b>    | 1.25cm x 10m | 0.15  |
|  | 2.5cm x 10m  | 0.30  |
| <b>Blue Dot Retention Soft Cloth Surgical Tape</b> | 5cm x 10m    | 0.96  |
|  | 10cm x 10m   | 1.90  |
| <b>Chemifix</b>                                    | 2.5cm x 5m   | 0.90  |
|  | 5cm x 5m     | 1.25  |
|  | 10cm x 5m    | 2.10  |
|  | 2.5cm x 10m  | 1.00  |
|  | 5cm x 10m    | 1.40  |
|  | 10cm x 10m   | 2.10  |
|  | 15cm x 10m   | 4.02  |
|  | 20cm x 10m   | 4.68  |
| <b>Hygifix</b>                                     | 2.5cm x 10m  | 1.10  |
|  | 5cm x 10m    | 1.90  |
|  | 7.5cm x 10m  | 2.55  |
|  | 10cm x 10m   | 2.85  |
|  | 15cm x 10m   | 4.55  |
|  | 20cm x 10m   | 6.25  |
| <b>Hypafix</b>                                     | 5cm x 5m     | 1.48  |
|  | 10cm x 5m    | 2.49  |
|  | 2.5cm x 10m  | 1.73  |
|  | 5cm x 10m    | 2.75  |
|  | 10cm x 10m   | 4.80  |
|  | 15cm x 10m   | 7.11  |
|  | 20cm x 10m   | 9.43  |
|  | 30cm x 10m   | 13.63 |
| <b>Mefix</b>                                       | 2.5cm x 5m   | 1.07  |
|  | 5cm x 5m     | 1.90  |
|  | 10cm x 5m    | 3.03  |
|  | 15cm x 5m    | 4.13  |
|  | 20cm x 5m    | 5.29  |
|  | 30cm x 5m    | 7.60  |
| <b>Omnifix</b>                                     | 5cm x 10m    | 2.54  |
|  | 10cm x 10m   | 4.29  |
|  | 15cm x 10m   | 6.32  |
| <b>Primafix</b>                                    | 5cm x 10m    | 1.67  |
|  | 10cm x 10m   | 2.46  |
|  | 15cm x 10m   | 3.63  |
|  | 20cm x 10m   | 4.47  |

**Surgical Adhesive Tapes** cont**Permeable Non-Woven Synthetic Adhesive Tape BP 1988**

(Syn. Permeable Non-Woven Surgical Synthetic Adhesive Tape)

| Size                 | 1.25 cm |      | 2.5 cm |      | 5 cm |      | 7.5 cm |      |
|----------------------|---------|------|--------|------|------|------|--------|------|
| Quantity             | 5m      | 10m  | 5m     | 10m  | 5m   | 10m  | 5m     | 10m  |
|                      | (p)     | (p)  | (p)    | (p)  | (p)  | (p)  | (p)    | (p)  |
| <b>Blue Dot</b>      | -       | -    | -      | 0.21 | -    | -    | -      | -    |
| <b>Microporous</b>   |         |      |        |      |      |      |        |      |
| <b>Blue Dot Silk</b> | -       | 0.28 | -      | 0.57 | -    | -    | -      | -    |
| <b>Chemipore</b>     | 0.27    | -    | 0.45   | 0.70 | 0.95 | -    | -      | -    |
| <b>Chemipore-PE</b>  | -       | -    | 0.68   | 1.15 | 1.20 | -    | 3.15   | -    |
| <b>Clinipore</b>     | 0.36    | -    | 0.61   | 0.75 | 1.02 | -    | -      | -    |
| <b>Leukofix</b>      | 0.58    | -    | 0.93   | -    | 1.63 | -    | -      | -    |
| <b>Leukopore</b>     | 0.51    | -    | 0.79   | -    | 1.39 | -    | -      | -    |
| <b>Mediplast</b>     | 0.30    | -    | 0.50   | -    | -    | -    | -      | -    |
| <b>Micropore</b>     | 0.63    | -    | 0.93   | -    | 1.65 | -    | -      | -    |
| <b>Scanpor</b>       | 0.43    | 0.57 | 0.70   | 0.93 | 1.21 | 1.78 | -      | 2.61 |
| <b>Transpore</b>     | -       | -    | 0.86   | -    | 1.51 | -    | -      | -    |

Where no brand is stated by the prescriber, the basic price of the tape supplied must not exceed:

|             |      |
|-------------|------|
| 1.25cm x 5m | 0.27 |
| 2.5cm x 5m  | 0.45 |
| 5cm x 5m    | 0.95 |

**Soft Silicone Fixation Tape****3M Micropore Silicone Tape (no liner)**

|            |      |
|------------|------|
| 2.5cm x 5m | 3.65 |
| 5cm x 5m   | 6.60 |

**Hypafix skin sensitive**

|           |       |
|-----------|-------|
| 5cm x 5m  | 10.79 |
| 10cm x 5m | 15.97 |
| 10cm x 2m | 8.49  |

**Insil**

|            |      |
|------------|------|
| 2cm x 3m   | 5.77 |
| 4cm x 1.5m | 5.77 |

**Mepitac**

|            |      |
|------------|------|
| 2cm x 3m   | 7.28 |
| 4cm x 1.5m | 7.28 |

**OpSite Flexifix Gentle**

|            |       |
|------------|-------|
| 2.5cm x 5m | 10.86 |
| 5cm x 5m   | 20.37 |

**Siltape**

|            |      |
|------------|------|
| 2cm x 3m   | 5.86 |
| 4cm x 1.5m | 5.86 |

**Zinc Oxide Adhesive Tape**

(Zinc Oxide Surgical Adhesive Tape)

**Blue Dot Zinc Oxide Tape**

|             |      |
|-------------|------|
| 2.5cm x 10m | 0.48 |
|-------------|------|

**Mediplast – zinc oxide plaster**

|             |      |
|-------------|------|
| 1.25cm x 5m | 0.82 |
| 2.5cm x 5m  | 1.19 |
| 5cm x 5m    | 1.99 |
| 7.5cm x 5m  | 2.99 |

**Surgical Adhesive Tapes** cont

|   |             |      |
|---|-------------|------|
| <b>Strappal</b>   | 2.5cm x 5m  | 1.46 |
|   | 5cm x 5m    | 2.47 |
|   | 7.5cm x 5m  | 3.71 |
| <b>Zinc Oxide Adhesive Tape BP 1988</b><br>(Syn. Zinc Oxide Surgical Adhesive Tape) | 1.25cm x 5m | 1.09 |
|   | 2.5cm x 5m  | 1.57 |
|   | 5cm x 5m    | 2.66 |
|   | 7.5cm x 5m  | 4.00 |

Where no size or quantity is stated by the prescriber 2.5cm x 1m should be supplied.

**Surgical Sutures\***

| Code No  | Metric Gauge | Length | Needle   |                   |
|--|--------------|--------|--|-------------------|
| <b>Absorbable Sutures</b>  |              |        |  |                   |
| <b>Sterile Synthetic</b>   |              |        |  |                   |
| B Braun Medical Ltd  |              |        |  |                   |
| Poliglecaprone absorbable suture composed of a copolymer of glycolide and caprolactone   |              |        |  |                   |
| <b>Monosyn suture</b>  |              |        |  | <b>Pack of 36</b> |
| C0023285   | 2.0          | 70cm   | 60mm straight cutting needle (undyed)                            | 78.43             |
| Polyglycolic acid absorbable suture coated with glyconate which gives rapid strength loss and absorption profile.                              |              |        |  |                   |
| <b>Safil suture</b>  |              |        |  |                   |
| C1048150   | 1.5          | 70cm   | 18mm 3/8 curved round bodied needle (violet)                     | 67.00             |
| Polyglycolic acid absorbable suture coated with glyconate which gives rapid strength loss and absorption profile (and accelerated degradation) |              |        |  |                   |
| <b>Safil Quick suture</b>  |              |        |  |                   |
| C1046610   | 1.0          | 45cm   | 11mm 3/8 curved reverse cutting needle with micro point (undyed) | 123.80            |
| C1046420   | 1.5          | 70cm   | 19mm 3/8 curved reverse cutting needle (undyed)                  | 112.32            |
| C1046530   | 2.0          | 70cm   | 19mm 3/8 curved rverse cutting needle with micro point (undyed)  | 103.77            |
| C1046651   | 3.0          | 90cm   | 37mm ½ circle tapercut needle (undyed)                           | 105.28            |
| C1046213   | 1.5          | 70cm   | 16mm 3/8 curved reverse cutting needle (undyed)                  | 99.38             |
| C1046657   | 2.0          | 70cm   | 24mm 3/8 curved reverse cutting needle with micro point (undyed) | 104.45            |

\* To be supplied on stock orders only

**Surgical Sutures\* cont**

|   |     |      |  |                   |
|---|-----|------|--|-------------------|
| <b>Ethicon Monocryl</b> Poliglecaprone absorbable sutures composed of copolymer of glycolide $\epsilon$ -caprolactone:  |     |      |  | <b>Pack of 12</b> |
| W3207   | 2.0 | 45cm | 19mm P needle reverse cutting (undyed) | 42.71             |
| W3205   | 1.5 | 45cm | 16mm P needle reverse cutting (undyed) | 44.06             |
| <b>Ethicon PDS II</b> -polyester polydioxanone absorbable sutures   |     |      |  | <b>pack of 24</b> |
| W9873T  | 1.5 | 45cm | 16mm P needle reverse cutting (clear)  | 97.79             |
| <b>Ethicon Vicryl</b> - Polyglactin 910 absorbable sutures composed of copolymer of glycolide and lactide   |     |      |  | <b>pack of 12</b> |
| W9074   | 1.5 | 45cm | 16mm Curved Round Bodied               | 25.47             |
|   |     |      |  | <b>pack of 24</b> |
| W9515T  | 1.5 | 45cm | 19mm P needle reverse cutting (undyed) | 77.10             |
| W9516T  | 2.0 | 45cm | 19mm P needle reverse cutting (undyed) | 75.26             |
| <b>Ethicon Vicryl Plus</b> -polyglactin 910 absorbable sutures composed of copolymer of glycolide and lactide which contain Irgacare MP (Triclosan)   |     |      |  | <b>pack of 36</b> |
| VCP683H   | 2.0 | 45cm | 24mm P needle reverse cutting (undyed) | 136.41            |
| VCP497H   | 2.0 | 45cm | 19mm P needle reverse cutting (undyed) | 144.50            |
| <b>Ethicon Vicryl Rapide</b> - polyglactin 910 absorbable sutures composed of copolymer of glycolide and lactide which have been specially treated to give rapid strength loss and absorption profiles: |     |      |  | <b>Pack of 12</b> |
| W9915   | 1.0 | 45cm | 12mm P Needle Curved Reverse cutting   | 46.79             |
| W9922   | 1.5 | 75cm | 19mm P Needle Curved Reverse Cutting   | 42.45             |
| W9918   | 1.5 | 75cm | 16mm P Needle Curved Cutting           | 37.57             |
| W9932   | 2.0 | 75cm | 26mm P Needle Curved Reverse Cutting   | 39.48             |
| W9923   | 2.0 | 75cm | 19mm P Needle Curved Reverse Cutting   | 39.23             |

\* To be supplied on stock orders only



**Surgical Sutures\*** cont

| Code No   | Metric Gauge | Length | Needle   |                   |
|---|--------------|--------|--|-------------------|
| <b>Non-Absorbable Sutures</b>                     |              |        |  |                   |
| <b>Sterile Synthetic</b>                          |              |        |  |                   |
| B Braun Medical Ltd                               |              |        |  | <b>Pack of 36</b> |
| <b>Polyamide suture, monofilament</b>             |              |        |  |                   |
| <b>Dafilon suture</b>                             |              |        |  |                   |
| C0936227  | 1.0          | 45cm   | 19mm 3/8 curved reverse cutting needle with micro point (blue) | 55.09             |
| C0936146  | 0.7          | 45cm   | 16mm 3/8 curved reverse cutting needle micro point (blue)      | 53.87             |
| C0933201  | 1.5          | 45cm   | 19mm 3/8 curved reverse cutting needle (blue)                  | 37.11             |
| C0932353  | 2.0          | 45cm   | 24mm 3/8 curved reverse cutting needle (blue)                  | 38.36             |
| <b>Polyamide suture, monofilament</b>             |              |        |  |                   |
| <b>Premilene suture</b>                           |              |        |  |                   |
| C0090655  | 1.5          | 45cm   | 24mm 3/8 curved reverse cutting needle with micro point (blue) | 63.57             |
| <b>Ethicon</b>                                    |              |        |  |                   |
| <b>Sterile Polyamide 6 Suture, Monofilament</b>   |              |        |  | <b>Pack of 12</b> |
| 1866G   | 6-0          | 45cm   | (black) 16mm conventional cutting                              | 20.36             |
| 662G  | 4-0          | 45cm   | (black) 19mm reverse cutting                                   | 14.03             |
| W320BG  | 3-0          | 45cm   | (black) 26mm reverse cutting                                   | 14.50             |
|   |              |        |  | <b>Pack of 24</b> |
| W1621T  | 2.0          | 45cm   | (blue) 19mm P needle reverse cutting                           | 46.24             |
|   |              |        |  | <b>pack of 36</b> |
| 1666H   | 5-0          | 45cm   | (black) 19mm reverse cutting                                   | 62.48             |
| <b>Sterile Polypropylene Suture, Monofilament</b> |              |        |  | <b>pack of 24</b> |
| W8020T  | 1.5          | 45cm   | (blue) 26mm P needle curved cutting                            | 48.06             |

\* To be supplied on stock orders only

**Skin Adhesive, Sterile**

|  |           |       |
|--|-----------|-------|
| <b>Dermabond Propen*</b>                       | 0.5ml Pen | 19.46 |
| <b>Derma+Flex*</b>                             | 0.5ml     | 5.36  |
| <b>Indermil*</b>                               | 0.5g      | 6.50  |
| <b>Histoacryl*</b>                             | 0.5ml     | 6.50  |
| <b>Histoacryl L*</b>                           | 0.5ml     | 6.72  |
| <b>Liquiband Flow Control Tissue Adhesive*</b> | 0.5g      | 5.50  |
| <b>Liquiband Tissue Adhesive*</b>              | 0.5g      | 5.50  |

**Skin Closure Strips, Sterile**

|                     |                   |                                |                               |
|---------------------|-------------------|--------------------------------|-------------------------------|
| <b>*365 Strips</b>  | Code No. 36519065 | 6mm x 75mm, 3 strips per env.  | <b>50 Envelopes</b><br>5.22   |
| <b>*Leukostrip</b>  | Code No 2952      | 6.4m x 76mm, 3 strips per env. | <b>10 Envelopes</b><br>6.73 ↑ |
| <b>*Omnistrip</b>   | Code No. 540683   | 6mm x 76mm, 3 strips per env.  | <b>50 Envelopes</b><br>25.56  |
| <b>*Steri-strip</b> | Code No GP 41     | 6mm x 75mm, 3 strips per env.  | <b>12 Envelopes</b><br>8.93   |

\* To be supplied on stock orders only

**Swabs**

|  |                               |               |
|--|-------------------------------|---------------|
| <b>Alcohol Impregnated Swabs</b>                     |                               | <b>Packet</b> |
| <b>Medicareplus Skin Prep Wipes</b>                  | 3cm sq<br>100 sachets per pkt | 1.60          |
| <b>Sterets Skin Cleansing Swab</b>                   | 3cm sq<br>100 sachets per pkt | 1.80          |
| <b>Gauze Swabs</b>                                   |                               |               |
| <b>Gauze Swab Type 13 Light BP 1988, Sterile</b>     | 7.5cm sq<br>5 pads per pkt    | 0.44          |
| <b>Gauze Swab Type 13 Light BP 1988, Non Sterile</b> | 10cm sq.<br>100 pads per pkt  | 1.53          |
| Swabs of folded 8-ply undyed gauze                   |                               |               |

**Swabs - cont****Non-Woven Fabric Swabs**

The labelling of each pack shall include: The Title, "Drug Tariff specification" and number.

|                                       |              |      |
|---------------------------------------|--------------|------|
| <b>Non-Woven Fabric Swab, Sterile</b> | 7.5cm square | 0.28 |
| Specification 28 (5 pads per pkt)     |              |      |

|   |             |      |
|---|-------------|------|
| <b>Non-Woven Fabric Swab, Non Sterile</b> | 10cm square | 0.89 |
| Specification 28 (100 pads per pkt)       |             |      |
| Swabs of folded 4-ply non-woven fabric.   |             |      |

These swabs are an alternative to gauze swabs Type 13 light BP, for general swabbing and cleansing purposes

|   |             |      |
|---|-------------|------|
| <b>Filmated Non-Woven Fabric Swab, Non-Sterile,</b> | 10cm square | 4.05 |
| Specification 29 (100 pads per pkt)                 |             |      |

Swabs of folded 8-ply non-woven viscose fabric containing a film of viscose fibres to increase absorbency. These swabs are an alternative to Filmated Gauze Swabs BP for general swabbing and cleansing purposes

Sterile swabs of folded 4-ply non-woven fabric.

These swabs are an alternative to Gauze Swabs Type 13 Light BP 1988 Sterile (Supplied in packets of 20)

NB: Sterile Swabs - These sterile dressings are to be supplied in packs of 5 swabs 7.5cm square in a sealed pack as received from the manufacturer, supplier or wholesaler. They should not be confused with the non sterile 10cm size in packets of 100 swabs used for general swabbing purposes.

The exact number of sterile swabs ordered are to be supplied except for orders not in multiples of 5. A packet to be used for each sterile dressing operation; unused swabs to be discarded as unsterile.

**Synovial Fluid**

|                       |  |        |
|-----------------------|--|--------|
| <b>Arthrum H</b>      | Box containing 3 pre-filled 2ml syringes                 | 175.00 |
| <b>Crespine Gel</b>   | Box containing 1 pre-filled 2ml syringe                  | 131.68 |
| <b>Durolane</b>       | Box containing 1 pre-filled 3ml syringe                  | 199.17 |
| <b>Euflexxa</b>       | Box containing 3 pre-filled 2ml syringes (1 treatment)   | 195.00 |
| <b>Fermathron</b>     | Box containing 1 pre-filled 20mg/2ml syringe             | 39.00  |
| <b>Monovisc</b>       | Box containing 1 pre-filled 4ml syringe                  | 160.00 |
| <b>Orthovisc</b>      | Box containing 1 pre-filled 2ml syringe                  | 65.00  |
| <b>Orthovisc mini</b> | Box containing 1 pre-filled 15mg/1ml syringe             | 35.00  |
| <b>Ostenil</b>        | Box containing 1 pre-filled 20mg/2ml syringe             | 34.23  |
| <b>Ostenil Plus</b>   | Box containing 1 pre-filled 40mg/2ml syringe             | 80.65  |
| <b>RenehaVis</b>      | Box containing 1 pre-filled dual chambered 1.4ml syringe | 112.00 |
| <b>Suplasyn</b>       | Box containing 1 pre-filled 20mg/2ml syringe             | 35.50  |
|                       | Box containing 1 vial 20mg/2ml                           | 35.50  |
| <b>Synocrom</b>       | Box containing 1 pre-filled 20mg/2ml syringe             | 30.00  |
| <b>Synocrom Mini</b>  | Box containing 1 pre-filled 10mg/1ml syringe             | 22.50  |
| <b>Synolis</b>        | Box containing 1 pre-filled 2ml syringe                  | 75.00  |
|                       | Box containing 3 pre-filled 2ml syringe (1 treatment)    | 205.00 |
| <b>Synopsis</b>       | Box containing 1 pre-filled 40mg/2ml syringe             | 88.00  |
| <b>Synvisc</b>        | Box containing 3 pre-filled 2ml syringes                 | 205.00 |
| (Hylan G-F20)         | (1 treatment)  |        |
| <b>Synvisc ONE</b>    | Box containing 1 pre-filled 6ml syringe                  | 205.00 |
| (Hylan G-F20)         |  |        |

**Syringes**

**Bladder/Irrigating** 100ml 4.86  
Polypropylene with catheter nozzle graduated from 0 to 100ml in 5ml graduation marks, clearly numbered in multiples of 10.

**Ear**  
Portia Rubber Ear Syringe 60ml 2.18  
Plastics-plasticised PVC polymer, moulded in one piece, fine pointed.

**Enema Higginson's** 7.10  
Plastic - plasticised PVC polymer, with inverted flutter valve moulded in the tube, or with metal valve, (duralumin or pewter), inserted in the tube; full length tubes; polypropylene rectal pipe; PVC polymer or rubber vaginal pipe; PVC polymer shield.

**Spare Vaginal Pipes** 15cm 0.57  
Plastics or rubber, straight

**Topical Skin Coolants**

**Magicool Plus itchy skin spray** 150ml 6.07  
**Magicool Plus prickly heat spray** 150ml 6.07  
**Magicool Plus sunburn spray** 150ml 6.07

**Trusses****Prescribing**

Before the prescription can be dispensed the following details must be given by the prescriber :-

- (i) Single, or double, and the side, if single
- (ii) Position e.g. Inguinal, Scrotal
- (iii) Type e.g. Spring Truss, Elastic Band Truss.

**Spring Truss**

Spring Trusses shall conform to the British Standard 2930: 1970 for Surgical Spring Trusses

|   |              | <b>Each</b> |
|---|--------------|-------------|
| <b>Inguinal</b>                                   | Single       | 36.05       |
|   | Double       | 50.30       |
| <b>Inguinal Rat-tail</b>                          | Single       | 44.39       |
|   | Double       | 66.34       |
| <b>Femoral</b>                                    | Single       | 39.82       |
|   | Double       | 61.61       |
| <b>Scrotal</b>                                    | Single       | 44.39       |
|   | Double       | 66.34       |
| <b>Double Inguinal/Scrotal</b>                    |              | 63.79       |
| <b>Back Pad-fixed or sliding</b> (if ordered)     | extra        | 10.23       |
| <b>Slotted, polished Spring Ends</b> (if ordered) | Single extra | 5.20        |
|   | Double extra | 10.48       |
| <b>"Special" Trusses</b>                          | Single extra | 11.48       |
|   | Double extra | 22.67       |

NOTE: Requirement for a "Special" Truss should normally be confirmed by the prescriber.

**Replacements and repairs:**

Understrap for Inguinal or Femoral Trusses 3.16

**Trusses cont****Elastic Band Truss**

Elastic Band Trusses shall conform to the British Standard 3271: 1970 for Surgical Elastic Band Trusses.

|                          |   |       |
|--------------------------|---|-------|
| <b>Inguinal</b>          | Single  | 24.48 |
|                          | Double  | 40.78 |
| <b>Scrotal</b>           | Single  | 25.49 |
|                          | Double  | 41.51 |
| <b>Umbilical</b>         | Single belt                                   | 27.80 |
|                          | Double belt where specified by the prescriber | 37.85 |
| <b>"Special" Trusses</b> | Single extra                                  | 7.21  |
|                          | Double extra                                  | 10.42 |

NOTE: Requirement for a "Special" Truss should normally be confirmed by the prescriber.

**Urinals, Portable**

Invoice to be attached to prescription invoice price  
 For day or night use Rubber or Plastic Bags

NOTE: Not to be confused with plastic night drainage bags (See Suprapubic Belts)

**Spare Plastic Bags:** invoice price

**Replacement of other parts if necessary:** invoice price

### Vacuum Pumps And Constrictor Rings For Erectile Dysfunction

The following products may be ordered on a prescription form (i.e. prescribed on the Health Service) only if the patient is a person of a description mentioned in column 1 of the prescribing restrictions note below, and for the purpose specified in column 2 of that note, and if the prescriber endorses the face of the prescription form with "S11".

#### Vacuum Pumps

|  |                          |  |        |
|--|--------------------------|--|--------|
| Euro Surgical Ltd                              |                          |  |        |
| <b>Pos-T-Vac</b>                               | AVP1000 Battery Operated |  | 127.00 |
|  | MVP 700 Manual           |  | 98.00  |
| Farnhurst Medical Ltd see R and G Products Ltd |                          |  |        |
| FTP Medical                                    |                          |  |        |
| <b>VED Axis</b>                                | FTP-VED-AXIS             |  | 159.00 |
| Genesis Medical Ltd                            |                          |  |        |
| <b>Accord</b>                                  | 0103 Manual              |  | 119.00 |
| <b>Impulse</b> with limiter                    | 0102 Manual              |  | 119.00 |
| <b>Revive</b> with limiter                     | 0101 Battery Operated    |  | 149.00 |
| Healthcare 2000 Ltd                            |                          |  |        |
| <b>E.I.D. Erection Inducer Device</b>          |                          |  | 149.00 |
| iMEDicare Ltd                                  |                          |  |        |
| <b>SomaCorrect</b>                             | 15080                    |  | 164.25 |
| <b>SomaCorrect Xtra</b>                        | 15111                    |  | 188.80 |
| <b>SomaErect Response II</b>                   | 15019                    |  | 169.61 |
| <b>SomaErect Response II - XL</b>              | 15888                    |  | 169.61 |
| <b>SomaErect Touch II</b>                      | 15013                    |  | 178.25 |
| Mediplus Ltd                                   |                          |  |        |
| <b>Osbon ErecAid Classic</b>                   | XX-02                    |  | 111.82 |
| <b>Osbon ErecAid Esteem</b>                    | XX-50                    |  | 202.18 |
| Owen Mumford Ltd                               |                          |  |        |
| <b>Rapport Classic</b>                         | SM2000                   |  | 121.37 |
| R and G Products Ltd                           |                          |  |        |
| <b>Elite</b>                                   | ES101                    |  | 136.47 |
| <b>Elite Plus</b> with gauge                   | EG105                    |  | 161.74 |
| <b>Elite Plus 2</b> with limiter               | EL108                    |  | 161.74 |
| VaxAid Ltd                                     |                          |  |        |
| <b>VaxAid Hydropump V30</b>                    | VX30PR                   |  | 89.50  |
| Vetco UK                                       |                          |  |        |
| <b>(Vetex Pump System)</b>                     | 001 Manual               |  | 95.00  |

### Vacuum Pumps And Constrictor Rings For Erectile Dysfunction cont

#### Constrictor Rings - to maintain an erection

Euro Surgical Ltd

|                         |  |  |      |
|-------------------------|--|--|------|
| <b>Constrictor Ring</b> |  |  | 9.68 |
|-------------------------|--|--|------|

Farnhurst Medical Ltd see R and G Products Ltd

FTP Medical

**VED Axis**

|                          |        |                 |       |
|--------------------------|--------|-----------------|-------|
| <b>Constriction Ring</b> | Size 4 | FTP-44003-4-001 | 10.42 |
|--------------------------|--------|-----------------|-------|

|  |        |                 |       |
|--|--------|-----------------|-------|
|  | Size 6 | FTP-44003-6-001 | 10.42 |
|--|--------|-----------------|-------|

|                   |  |              |       |
|-------------------|--|--------------|-------|
| <b>Firma Band</b> |  | FTP-001-0-FB | 13.33 |
|-------------------|--|--------------|-------|

|                       |        |              |       |
|-----------------------|--------|--------------|-------|
| <b>Sensation Seal</b> | Size 2 | FTP-001-2-SS | 10.00 |
|-----------------------|--------|--------------|-------|

|  |        |              |       |
|--|--------|--------------|-------|
|  | Size 3 | FTP-001-3-SS | 10.00 |
|--|--------|--------------|-------|

Genesis Medical Ltd

**Asset**

|   |  |      |       |
|---|--|------|-------|
| (Set of 5 different rings, loading cone and holding cylinder for maintaining an erection) |  |      |       |
|   |  | 0105 | 24.00 |

**Genesis Constriction Ring**

|   |  |  |      |
|---|--|--|------|
| (Single ring for use with erection assistance devices<br>0110B, 0110C, 0110D, 0110E, 0110F) sizes B, C, D, E, F |  |  | 7.00 |
|---|--|--|------|

**Genesis 3H** (Single ring for use with erection assistance devices

|   |  |  |      |
|---|--|--|------|
| 013H-3, 013H-4, 013H-5, 013H-6, 013H-7, 013H-8, 013H-9) sizes 3,4,5,6,7,8,9 |  |  | 7.00 |
|---|--|--|------|

Healthcare 2000 Ltd

|                         |   |  |       |
|-------------------------|---|--|-------|
| <b>Confidence Rings</b> | Starter pack of 2 Rings (1 x Regular, 1 x Firm) |  | 24.00 |
|-------------------------|---|--|-------|

|  |                       |  |       |
|--|-----------------------|--|-------|
|  | Firm x 2 Rings (Pink) |  | 29.00 |
|--|-----------------------|--|-------|

|  |                             |  |       |
|--|-----------------------------|--|-------|
|  | Regular x 2 Rings (Natural) |  | 29.00 |
|--|-----------------------------|--|-------|

iMEDicare Ltd

|                                  |       |       |
|----------------------------------|-------|-------|
| <b>Assist Maintenance System</b> | 15109 | 28.48 |
|----------------------------------|-------|-------|

|   |       |       |
|---|-------|-------|
| <b>Select Maintenance Ring Set</b> (Set of 3 Rings) | 15230 | 30.59 |
|---|-------|-------|

|                                      |       |       |
|--------------------------------------|-------|-------|
| <b>SureEase Maintenance Ring Set</b> | 15085 | 33.75 |
|--------------------------------------|-------|-------|

|  |       |       |
|--|-------|-------|
| <b>Ultimate (Surefit) Maintenance Ring Set</b> | 15222 | 35.86 |
|--|-------|-------|

|                                   |       |       |
|-----------------------------------|-------|-------|
| <b>Ultra Maintenance Ring Set</b> | 15444 | 35.86 |
|-----------------------------------|-------|-------|

Mediwatch UK Ltd

**ErectAssist**

|  |       |       |
|--|-------|-------|
| Set of 3 retention rings, loading cone, transfer collar and<br>lubricating gel | S0007 | 23.00 |
|--|-------|-------|

**Retention Rings**

|                          |        |       |
|--------------------------|--------|-------|
| Set of 3 retention rings |        |       |
| 25mm                     | S0101A | 21.00 |

|      |        |       |
|------|--------|-------|
| 32mm | S0101B | 21.00 |
|------|--------|-------|

|      |        |       |
|------|--------|-------|
| 40mm | S0101C | 21.00 |
|------|--------|-------|

|                            |       |       |
|----------------------------|-------|-------|
| One set of the above sizes | S0101 | 21.00 |
|----------------------------|-------|-------|

**Vacuum Pumps And Constrictor Rings For Erectile Dysfunction cont**

Mediplus Ltd

|  |       |      |             |
|--|-------|------|-------------|
| <b>Osbon ErecAid</b> (pack of 2 rings) |       |      | <b>each</b> |
| MaxElasticity tension                  | Grey  | 1676 | 37.00       |
| Standard tension                       | Beige | 1672 | 37.00       |
| High tension                           | Pink  | 1674 | 37.00       |

Owen Mumford Ltd

**Rapport Ring Loading System**

(Set of five different sized rings, loading cone and transfer sleeves for maintaining an erection)

SM2220 24.25

R and G Products Ltd

|  |           |         |       |
|--|-----------|---------|-------|
| <b>Constriction Rings</b> (pack of 5 rings)          | Sizes 1-5 | ECR01   | 20.22 |
|  | Size 1    | ECR01/1 | 20.22 |
|  | Size 2    | ECR01/2 | 20.22 |
|  | Size 3    | ECR01/3 | 20.22 |
|  | Size 4    | ECR01/4 | 20.22 |
|  | Size 5    | ECR01/5 | 20.22 |
| Applicator and cone set with 5 different sized rings |           | ECA02   | 24.26 |

VaxAid Ltd

**VaxAid Erection Rings**

|   |      |        |       |
|---|------|--------|-------|
| Single Rings  | 20mm | VSER20 | 5.00  |
|   | 24mm | VSER24 | 5.00  |
|   | 28mm | VSER28 | 5.00  |
|   | 32mm | VSER32 | 5.00  |
|   | 36mm | VSER36 | 5.00  |
|   | 40mm | VSER40 | 5.00  |
| Pack of six rings in sizes 20mm, 24mm, 28mm, 32mm, 36mm, 40mm |      | VPER1  | 30.00 |
| Pack of three rings in sizes 20mm, 24mm, 28mm                 |      | VPER2  | 15.00 |
| Pack of three rings in sizes 32mm, 36mm, 40mm                 |      | VPER3  | 15.00 |

Vetco UK Constriction Rings

|                     |                      |       |       |
|---------------------|----------------------|-------|-------|
| <b>White C-Flex</b> | Small, Medium, Large | VA005 | 6.50  |
| <b>Mentor</b>       | Medium, Large        | VA006 | 10.00 |
| <b>Comfort</b>      | One size fits all    | VA007 | 10.00 |

**Prescribing Restrictions Applying To Vacuum Pumps And Constrictor Rings For Erectile Dysfunction**

The products listed above may be ordered on a prescription form only if the patient is a person of a description mentioned in column 1 below, and for the purpose specified in column 2, and if the prescriber endorses the face of the prescription form with the reference "S11".

| Patient   | Purpose                           |
|---|-----------------------------------|
| (a) a man suffering from any of the following:<br>Diabetes, multiple sclerosis, Parkinson's disease,<br>Poliomyelitis, prostate cancer, severe pelvic injury,<br>single gene neurological disease, spina bifida<br>spinal cord injury; or | Treatment of erectile dysfunction |
| (b) a man who is receiving treatment for renal failure by<br>dialysis; or   |                                   |
| (c) a man who has had the following surgery:<br>Prostatectomy, radical pelvic surgery,<br>renal failure treated by transplant   |                                   |



**Vaginal Dilator**

|   |        | <b>per kit</b> |
|---|--------|----------------|
| <b>Amielle Care</b><br>(Owen Mumford Ltd)                       | SM2150 | 27.31          |
| <b>Amielle Comfort</b><br>(Owen Mumford Ltd)                    | SM2100 | 36.42          |
| <b>Femmax</b><br>(Medical Devices Technology International Ltd) |        | 16.48          |

**Vaginal Moisturisers**

|  |   | <b>per pack</b> |
|--|---|-----------------|
| <b>Balance Activ Moisture Gel</b>  | 7 pre-filled applicators  | 7.00            |
| <b>Balance Activ Moisture Plus Pessaries</b>                                   | 10 x 2g pessaries   | 8.00            |
| <b>Dr. Wolff's Vagisan Moisturising Cream</b><br>(formerly Vagisan MoistCream) | 50g tube  | 9.74            |
| <b>Feminese</b>  | 33g tube  | 6.00            |
|  | 6 pre-filled applicators  | 6.00            |
| <b>Gynomunal</b>   | 15ml tube   | 3.69            |
|  | 50ml tube   | 7.99            |
| <b>Hyalofemme</b>  | 30g tube  | 4.63            |
| <b>Regelle</b>   | 3 pre-filled applicators  | 3.29            |
|  | 6 pre-filled applicators  | 5.41            |
|  | 12 pre-filled applicators   | 8.32            |
| <b>Repadina</b>  | 10 x 2g ovules  | 8.14            |
| ● <b>ReplensMD</b>   | 3 dose pack   | 3.65            |
|  | 6 dose pack   | 6.06            |
|  | 12 dose pack  | 11.64           |
|  | 35g tube  | 6.06            |
| <b>Sylk</b>  | 40g tube  | 5.16            |
| <b>Vagisan MoistCream see Dr. Wolff's Vagisan Moisturising Cream</b>           |   |                 |
| <b>Vagisil Internal Hydrating Gel</b>  | 6 pre-filled applicators  | 6.06            |
| <b>YES VM</b>  | 6 pre-filled applicators  | 5.14            |
|  | 100ml tube  | 7.00            |
| <b>YES WB</b> water-based vaginal lubricant                                    | 6 pre-filled applicators  | 5.14            |
|  | 75ml tube   | 7.00            |
| ●  | <b>Please note: For reimbursement purposes Replens MD Should not be confused with the product Replens listed in Drug Tariff part XI - Drugs and other substances not to be prescribed under the NHS Pharmaceutical Services</b> |                 |

**Vaginal Ph Correction Products**

|                                 |               | <b>Per Pack</b>         |
|---------------------------------|---------------|-------------------------|
| <b>Gels</b>                     |               |                         |
| <b>Balance Activ BV</b>         | 7 x 5ml tubes | 5.25                    |
| <b>Multi-Gyn ActiGel</b>        | 50ml tube     | 5.25                    |
| <b>Relactagel</b>               | 7 x 5ml tubes | 5.25                    |
| <b>Lactic Acid Pessaries BP</b> |               |                         |
| <b>Balance Activ</b>            | 7 pessaries   | <b>Per Pack</b><br>5.25 |

**Venous Ulcer Compression System**

|  |  | <b>Per pack</b> |
|--|--|-----------------|
| <b>ActiLymph Hosiery Kit</b><br>(L&R Medical UK Ltd)           | <b>Medical Stocking &amp; Compression Liner</b><br>(pack contains 1 stocking and 2 liners)<br>Medium, Large, Extra Large, Extra Extra Large  | 31.45           |
| <b>Activa Leg Ulcer Hosiery Kit</b><br>(L&R Medical UK Ltd)    | <b>Medical Stocking &amp; Compression Liner</b><br>(pack contains 1 stocking and 2 liners 40mmHg)<br>Small, Medium, Large, Extra Large & Extra Extra Large                                       | 23.85           |
|  | <b>Compression Liner Pack Closed Toe</b><br>(pack contains 3 liners 10mmHg)<br>Small, Medium, Large, Extra Large & Extra Extra Large   | 17.89           |
|  | <b>Compression Liner Pack Open Toe</b><br>(pack contains 3 liners – 10mmhg)<br>Small, Medium, Large, Extra Large, Extra Extra Large  | 17.54           |
| <b>Altipress 40 UlcerKit</b><br>(Altimed Ltd)                  | <b>Medical Stocking &amp; Compression Liner</b><br>(pack contains stocking and 2 liners)<br>Available in Short, Regular and Long lengths<br>Small, Medium, Large, Extra Large, Extra Extra Large | 15.10           |
| <b>Altipress</b><br>(Altimed Ltd)                              | <b>Compression Liner Pack</b><br>(pack contains 3 liners)<br>Available in Short, Regular and Long lengths<br>Small, Medium, Large, Extra Large, Extra Extra Large                                | 11.94           |
| <b>Altipress 40 Made to Measure Ulcer Kit</b><br>(Altimed Ltd) | <b>Medical Stocking &amp; Compression Liner</b><br>(pack contains 1 Made to Measure stocking and 2 Made to Measure liners)   | 43.79           |
| <b>Altipress Made to Measure</b><br>(Altimed Ltd)              | <b>Compression Liner Pack</b><br>(pack contains 2 Made to Measure liners)  | 24.81           |

**Carolyn Compression Understocking Pack**

|                                |                                       |             |             |
|--------------------------------|---------------------------------------|-------------|-------------|
| (Judd Medical Ltd)             | (pack contains 3 understockings)      |             |             |
| (formerly Medalin Ltd)         | Available in Short and regular length |             |             |
| (formerly H&R Healthcare Ltd)) | Size                                  | Ankle Circ  | Calf Circ   |
|                                | A                                     | 17.5-20cm   | 25.5-33cm   |
|                                | B                                     | 20-22.5cm   | 30.5-38cm   |
|                                | C                                     | 22.5-25.5cm | 35.5-43cm   |
|                                | D                                     | 25.5-28cm   | 40.5-48.5cm |
|                                | E                                     | 28-30.5cm   | 45.5-53cm   |
|                                | F                                     | 30.5-33cm   | 51-58.5cm   |
|                                | G                                     | 33-35.5cm   | 56-66cm     |
|                                |                                       |             | 22.24       |
|                                |                                       |             | 22.24       |
|                                |                                       |             | 22.24       |
|                                |                                       |             | 22.24       |
|                                |                                       |             | 22.24       |
|                                |                                       |             | 22.24       |
|                                |                                       |             | 22.24       |

**Venous Ulcer Compression System cont****Carolyn Graduated Compression System**

(Judd Medical Ltd) (Pack contains 1 stocking and 2 understockings)  
 (formerly (Medalin Ltd) Available in Short and regular length  
 (formerly H&R  
 Healthcare Ltd))

| Size | Ankle Circ. | Calf Circ   | per pack |
|------|-------------|-------------|----------|
| A    | 17.5-20cm   | 25.5-33cm   | 26.79    |
| B    | 20-22.5cm   | 30.5-38cm   | 26.79    |
| C    | 22.5-25.5cm | 35.5-43cm   | 26.79    |
| D    | 25.5-28cm   | 40.5-48.5cm | 26.79    |
| E    | 28-30.5cm   | 45.5-53cm   | 26.79    |
| F    | 30.5-33cm   | 51-58.5cm   | 26.79    |
| G    | 33-35.5cm   | 56-66cm     | 26.79    |

**CoolFlex Standard Calf** Compression System 100.36  
 (pack contains 1 Coolflex legpiece and 2 Basic liners)  
 (Sigvaris Britain Ltd) Available as Regular and Tall. Left and Right  
 Small, Small Max, Medium/Large, Medium/Large Max,  
 Extra Large/Extra Extra Large.

**Jobskin Alleviant** Medical Stocking & Compression Liner 18.75  
 (Jobskin Ltd) (pack contains 1 over stocking and 2 liners) i,ii,iii,iv,v,vi,vii

**Jobst FarrowHybrid** AD1 Compression Liner Pack 24.59  
 (BSN medical Ltd) (pack contains 2 liners - 20-30mmHg)  
 Available as Standard and Wide  
 Small, Medium, Large, Extra Large

**Jobst FarrowWrap 4000** Compression System 106.57  
 (BSN medical Ltd) (pack contains 1 Jobst FarrowWrap 4000 legpiece and 1  
 wide Jobst FarrowHybrid AD1 liner)  
 Available as Regular and Tall  
 Extra Small, Small, Medium

Compression System 106.57  
 (pack contains 1 Jobst FarrowWrap 4000 legpiece, 1 wide  
 Jobst FarrowHybrid AD1 liner and 1 Jobst FarrowWrap silver  
 liner)  
 Available as Regular and Tall  
 Large

**Venous Ulcer Compression System cont.**

|  |   |  |        |       |
|--|---|--|--------|-------|
| <b>Jobst UlcerCARE</b><br>(BSN medical Ltd)        | <b>Medical Stocking &amp; Compression Liner</b><br>(with or without zip)<br>(pack contains 1 stocking and 2 liners)   | Small  | 33.26  |       |
|  |   | Medium   | 33.26  |       |
|  |   | Large  | 33.26  |       |
|  |   | X Large  | 33.26  |       |
|  |   | XX Large   | 33.26  |       |
|  |   | XXX Large  | 33.26  |       |
|  |   | XXXX Large   | 33.26  |       |
|  |   | Compression Liner pack<br>(pack contains 3 liners) | Small  | 20.08 |
|  |   | Medium   | 20.08  |       |
|  |   | Large  | 20.08  |       |
|  | Extra Large   | 20.08  |        |       |
|  | XX Large  | 20.08  |        |       |
|  | XXX Large   | 20.08  |        |       |
|  | XXXX Large  | 20.08  |        |       |
| <b>Jobst UlcerCARE Custom</b><br>(BSN Medical Ltd) | <b>Medical Stocking Compression Liner Pack</b><br>(pack contains 2 liners)  |  | 67.39  |       |
|  |   |  | 33.70  |       |
| <b>Juxta CURES</b><br>(Medi UK Ltd)                | <b>Compression System</b><br>(pack contains Juxta CURES, 2 standard anklets and 2 liners)<br>Short, Standard, Long  |  | 162.07 |       |
|  | <b>Comfort Leg Liner</b><br>(pack contains 2 liners)  |  | 14.11  |       |
|  | <b>Comfort Compression Ankle</b><br>(pack contains 2 anklets)<br>Standard, Large  |  | 11.94  |       |
| <b>JuxtaLite</b><br>(Medi UK Ltd)                  | <b>Compression System</b><br>(pack contains JuxtaLite, 2 compression anklets and 2 liners)<br>Available as Short and Long<br>Small, Medium, Large, Extra Large, Extra Extra Large |  | 101.39 |       |
|  | Available as Short Extra Wide and Long Extra Wide<br>Medium, Large, Extra Large   |  |        |       |
| <b>Juzo Ulcer Pro Custom</b><br>(Juzo UK Ltd)      | <b>Medical Stocking &amp; Compression Liner</b><br>(pack contains 1 Made to Measure stocking and 2 Made to Measure liners)  |  | 65.30  |       |
|  | <b>Add Liner Pack</b><br>(pack contains 2 Made to Measure liners)   |  | 32.80  |       |
| <b>Juzo Ulcer System</b><br>(Juzo UK Ltd)          | <b>Medical Stocking &amp; Compression Liner</b><br>(pack contains 1 stocking and 2 liners)<br>Available as Standard and Short   | 1, 2, 3, 4, 5, 6                                   | 32.63  |       |
|  | <b>Add Liner Pack</b><br>(pack contains 2 liners)<br>Available as Standard and Short  | 1, 2, 3, 4, 5, 6                                   | 17.77  |       |
| <b>Mediven Ulcer Kit</b><br>(Medi UK Ltd)          | <b>Medical Stocking &amp; Compression Liner</b><br>(pack contains 1 over stocking and 2 liners)   |  |        |       |
|  | <b>Standard Length Kit</b>  | i,ii,iii,iv,v,vi,vii                               | 33.96  |       |
|  | <b>Petite Length Kit</b>  | i,ii,iii,iv,v,vi,vii                               | 33.96  |       |
|  | <b>Liner Pack</b> (Pack contains 2 Liners)  | i,ii,iii,iv,v,vi,vii                               | 18.21  |       |

**Venous Ulcer Compression System cont.**

|  |   |                |
|--|---|----------------|
| <b>Ulcerkit Pro 35</b><br>(Gardamed Ltd)             | <b>Compression System</b><br>(pack contains 1 Class 2 stocking, 1 stocking<br>18mmHg and 2 liners)<br>Available in Short and Long lengths (Standard and Max widths)<br>Cotton fabric: Small, Medium, Large, Extra Large<br>Strong fabric: Small, Medium, Large, Extra Large | 32.23          |
| <b>Ulcerkit Pro 40</b><br>(Gardamed Ltd)             | <b>Compression System</b><br>(pack contains 1 Class 2 stocking, 1 stocking<br>24mmHg and 2 liners)<br>Available in Short and Long lengths (Standard and Max widths)<br>Cotton fabric: Small, Medium, Large, Extra Large<br>Strong fabric: Small, Medium, Large, Extra Large | 32.23          |
| <b>Ulcertec</b><br>(Bauerfeind UK)                   | <b>Medical Stocking &amp; Compression Liner</b><br>(pack contains 1 stocking and 2 liners)<br><b>Short</b> (Extra Small, Small, Medium, Large or Extra Large)<br><b>Long</b> (Extra Small, Small, Medium, Large or Extra Large)   | 27.10<br>27.10 |
| <b>Ulcer X</b><br>(Sigvaris Britain Ltd)             | <b>Medical Stocking &amp; Compression Liner Pack Open Toe</b><br>(pack contains 1 stocking and 2 liners)<br>Available in Short and Long lengths<br>Small, Medium, Large, Extra Large  | 25.35          |
|  | <b>Medical Stocking &amp; Compression Liner Pack Open Toe Plus</b><br>(pack contains 1 stocking and 2 liners)<br>Available in Short and Long lengths<br>Small, Medium, Large, Extra Large   | 25.35          |
|  | <b>Compression Liner Pack Closed Toe</b><br>(pack contains 4 liners)<br>Available in Short and Long lengths<br>Small, Medium, Large, Extra Large  | 21.58          |
| <b>Venosan 8000 Ulcerfit</b><br>(Credenhill Limited) | <b>Medical Stocking &amp; Compression Liner</b><br>(pack contains 1 stocking and 2 liners)<br>Available in Short and Long lengths<br>Small, Medium, Large, Extra Large  | 22.76          |
|  | <b>Compression Liner Pack Closed Toe</b><br>(pack contains 2 liners)<br>Available in One length, 35-42cm<br>Small, Medium, Large, Extra Large   | 13.55          |
| <b>VenoTrain UlcerTec 39</b><br>(Bauerfeind UK)      | <b>Medical Stocking &amp; Compression Liner</b><br>(pack contains 1 stocking and 2 liners)<br>Available in Short and Long lengths Normal & Plus widths<br>Extra Small, Small, Medium, Large, Extra Large  | 27.10          |
| <b>VenoTrain UlcerTec 46</b><br>(Bauerfeind UK)      | <b>Medical Stocking &amp; Compression Liner</b><br>(pack contains 1 stocking and 2 liners)<br>Available in Short and Long lengths Normal & Plus widths<br>Extra Small, Small, Medium, Large, Extra Large  | 27.10          |

PAGE INTENTIONALLY BLANK

## Part III (b)

## Bandages

1. The term “bandage” used in a prescription form without qualification is to be interpreted to mean an Open-Wove Bandage, Type 1 BP 5cm x 5m. All bandages supplied are to be of the lengths and widths specified in the Tariff. Where a bandage longer than those specified in the Tariff is ordered, the number of bandages, that will, in total, provide the length nearest to that ordered, should be supplied. Where a bandage in a width other than those specified is ordered, the next wider specified width should be supplied.

2. All bandages to be supplied completely wrapped as received from the manufacturer or wholesaler. Elastic Adhesive Bandages and Plaster of Paris Bandages to be supplied sealed in containers as received from the manufacturer or wholesaler. Except where otherwise stated all bandages possessing elasticity to be not less than 4.5m in length when fully stretched.

**Conforming Bandage (Synthetic)****Hospiform**

|                      |      |
|----------------------|------|
| 6cm x 4m (stretched) | 0.14 |
| 8cm x 4m             | 0.18 |
| 10cm x 4m            | 0.20 |
| 12cm x 4m            | 0.25 |

**Cotton Crêpe Bandage****✚ Hospicrepe 239**

|       |      |
|-------|------|
| 5cm   | 0.44 |
| 7.5cm | 0.63 |
| 10cm  | 0.81 |
| 15cm  | 1.18 |

**Cotton Crêpe Bandage BP 1988**

|       |      |
|-------|------|
| 7.5cm | 3.28 |
| 10cm  | 4.22 |

**✚ to be deleted 1 December 2021**

**Cotton, Polyamide and Elastane Bandage**

|                  |       |      |
|------------------|-------|------|
| <b>Hospilite</b> | 5cm   | 0.39 |
|                  | 7.5cm | 0.53 |
|                  | 10cm  | 0.65 |
|                  | 15cm  | 0.95 |
| <b>Neosport</b>  | 5cm   | 0.54 |
|                  | 7.5cm | 0.73 |
|                  | 10cm  | 0.91 |
|                  | 15cm  | 1.12 |
| <b>Setocrepe</b> | *10cm | 1.24 |
| <b>Soffcrepe</b> | 5cm   | 0.73 |
|                  | 7.5cm | 1.03 |
|                  | 10cm  | 1.30 |
|                  | 15cm  | 1.90 |

\* see also Multi-layer Compression Bandaging

**Cotton Stretch Bandage BP 1988**

|                         |       |      |
|-------------------------|-------|------|
| <b>✚ Hospicrepe 233</b> | 5cm   | 0.52 |
|                         | 7.5cm | 0.72 |
|                         | 10cm  | 0.96 |
|                         | 15cm  | 1.36 |
| <b>PremierBand</b>      | 5cm   | 0.45 |
|                         | 7.5cm | 0.63 |
|                         | 10cm  | 0.79 |
|                         | 15cm  | 1.18 |

**Crêpe Bandage BP 1988**

|  |       |      |
|--|-------|------|
|  | 5cm   | 1.05 |
|  | 7.5cm | 1.47 |
|  | 10cm  | 1.92 |
|  | 15cm  | 2.78 |

**Elastic Adhesive Bandage BP 1993**

|  |       |      |
|--|-------|------|
| (Syn: Zinc Oxide Elastic Adhesive Bandage) | 5cm   | 3.86 |
|  | 7.5cm | 5.59 |
|  | 10cm  | 7.44 |

Where no size is stated by the prescriber, the 7.5cm size should be supplied

**✚ to be deleted 1 December 2021**



**Elastomer and Viscose Bandage, Knitted**

BS compression type 2, for light support

|                |              |      |
|----------------|--------------|------|
| <b>K-Lite</b>  | 5cm x 4.5m   | 0.57 |
| 4.5m stretched | 7cm x 4.5m   | 0.80 |
|                | *10cm x 4.5m | 1.04 |
|                | 15cm x 4.5m  | 1.51 |

|                    |               |      |
|--------------------|---------------|------|
| <b>K-Lite Long</b> |               |      |
| 5.25m stretched    | *10cm x 5.25m | 1.19 |

|                  |      |      |
|------------------|------|------|
| <b>Knit-Firm</b> | 5cm  | 0.36 |
|                  | 7cm  | 0.51 |
|                  | 10cm | 0.66 |
|                  | 15cm | 0.96 |

BS compression type 3a, for light compression

|              |           |      |
|--------------|-----------|------|
| <b>Elset</b> |           |      |
| 6m stretched | 10cm x 6m | 2.73 |
|              | 15cm x 6m | 2.92 |
| 8m stretched | 10cm x 8m | 3.49 |

|                |            |      |
|----------------|------------|------|
| <b>Elset S</b> |            |      |
| 12m stretched  | 15cm x 12m | 5.85 |

|                |              |      |
|----------------|--------------|------|
| <b>K-Plus</b>  |              |      |
| 8.7m stretched | *10cm x 8.7m | 2.37 |

|                    |                |      |
|--------------------|----------------|------|
| <b>K-Plus Long</b> |                |      |
| 10.25m stretched   | *10cm x 10.25m | 2.74 |

|                |             |        |
|----------------|-------------|--------|
| <b>L3</b>      |             |        |
| 8.6m stretched | 10cm x 8.6m | 2.34 ↑ |

**High Compression Bandage (Extensible)**

|                  |                          |      |
|------------------|--------------------------|------|
| <b>K-ThreeC</b>  | *10cm x 3m (unstretched) | 2.95 |
| <b>SurePress</b> | 10cm x 3m (unstretched)  | 3.80 |

**Specification No 52**

P.E.C. High Compression Bandage

(Syn: Polyamide, Elastane, and Cotton compression (High) Extensible Bandage; "PECHE" Bandage)

|                  |                           |      |
|------------------|---------------------------|------|
| <b>Setopress</b> | 10cm x 3.5m (unstretched) | 3.71 |
|------------------|---------------------------|------|

V.E.C. High Compression Bandage

(Syn: Viscose, Elastane and Cotton Compression (High) Extensible Bandage; "VECHE" Bandage)

|                   |                          |      |
|-------------------|--------------------------|------|
| <b>Tensopress</b> | 7.5cm x 3m (unstretched) | 2.86 |
|                   | 10cm x 3m (unstretched)  | 3.67 |

\* see also Multi-layer Compression Bandaging

**Performance**

The table below gives approximate sub-bandage pressures at the ankle according to the size of its circumference, including any sub-bandage dressings or padding. These are obtained when applied at the constant extension shown and in accordance with the technique indicated by the manufacturer:

| Application Technique Wound spirally with 50% overlap |         |                  |                     |           |           |               |
|---|---------|------------------|---------------------|-----------|-----------|---------------|
|   | Bandage | Extension<br>10% | Ankle Circumference |           |           |               |
|   |         |                  | Less than<br>18 cm  | 18-26cm   | 27-35cm   | 36-50cm       |
| Approx.   | P.E.C   | 70%              | Not<br>Applicable   | 38-27mmHg | 26-20mmHg | -             |
|   |         | 100%             | Not<br>Applicable   | 50-35mmHg | 34-27mmHg | 26-<br>19mmHg |
| Sub-<br>Bandage<br>Pressure                           | V.E.C   | 50%              | Not<br>Applicable   | 36-25mmHg | 24-18mmHg | -             |
|   |         | 75%              | Not<br>Applicable   | 50-37mmHg | 37-28mmHg | 28-<br>19mmHg |

## Labelling

1. The Drug Tariff title.
2. The label on the package states the nominal lay flat width.
3. Washing instructions in accordance with method for handwashing at 400 as defined in BS 2747.

**Multi-layer Compression Bandaging**

|   |                       |       |
|---|-----------------------|-------|
| 3M Health Care Ltd  |                       |       |
| <b>Coban 2</b> - multi-layer compression bandage kit  | 5cm x 2.7m            | 5.12  |
|   | 10cm x 3.5m           | 8.40  |
|   | 10cm x 4.5m           | 11.99 |
| <b>Coban 2 Lite</b> – multi-layer compression bandage kit                                     | one size              | 8.40  |
| <b>Coban Self-Adherent Bandage</b>  | 10cm x 6m (stretched) | 2.98  |
| Aspen Medical Europe see H & R Healthcare Ltd   |                       |       |
| BSN medical Ltd   |                       |       |
| <b>Jobst Compriz</b> - two-layer compression bandage kit                                      | 18-25cm               | 6.99  |
|   | 25-32cm               | 7.99  |
| <b>Jobst Compriz lite</b> - two-layer compression bandage kit                                 | 18-25cm               | 6.99  |
|   | 25-32cm               | 8.80  |
| <b>Jobst Comprifore</b> -multi-layer compression bandage kit                                  | 18-25cm               | 7.18  |
| <b>Jobst Comprifore Latex-free</b> -multi-layer compression bandage kit                       | 18-25cm               | 7.56  |
| <b>Jobst Comprifore Lite</b> -multi-layer compression bandage kit                             | 18-25cm               | 4.70  |
| <b>Jobst Comprifore Lite Latex-free</b> -multi-layer compression bandage kit                  | 18-25cm               | 5.06  |
| <b>Velband Absorbent Padding Bandage</b>  | 10cm x 4.5m           | 0.76  |
| ConvaTec Limited  |                       |       |
| <b>Surepress Absorbent Padding</b>  | 10cm x 3m             | 0.59  |
| H & R Healthcare Ltd  |                       |       |
| <b>AndoFlex TLC</b> - 2 layer compression bandage kit with malodour control (latex free)      | One size              | 7.33  |
| <b>AndoFlex TLC Calamine</b> - 2 layer compression kit  | 7.62cm                | 8.45  |
|   | 10cm                  | 9.56  |
| <b>AndoFlex TLC Calamine Lite</b> - 2 layer compression kit                                   | 7.62cm                | 8.45  |
|   | 10cm                  | 9.56  |
| <b>AndoFlex TLC Lite</b> - 2 layer compression bandage kit with malodour control (latex free) | One size              | 7.33  |
| <b>AndoFlex TLC-XL</b> - 2 layer compression bandage kit with malodour control (latex free)   | One size              | 8.60  |
| <b>AndoFlex TLC Zinc Lite</b> - 2 layer compression kit (latex free)                          | 7.5cm                 | 5.29  |
|   | 10cm                  | 6.40  |
| Hero Healthcare Ltd   |                       |       |
| <b>Hero H-2</b> - multi-layer compression bandage kit   | 18-25cm               | 7.63  |
| <b>Hero H-2 Lite</b> - multi-layer compression bandage kit                                    | 18-25cm               | 7.63  |
| <b>Hero H-2 XL</b> - multi-layer compression bandage kit                                      | 25-32cm               | 8.43  |
| Hero H-2 kits contain a combination of the following components:                              |                       |       |
| <b>Hero H-2 layer 1</b>   | 10cm x 3.5m           | 4.82  |
| <b>Hero H-2 layer 2</b>   | 10cm x 5m             | 3.98  |
| <b>Hero H-2 Lite layer 2</b>  | 10cm x 5m             | 3.98  |
| <b>Hero H-2 XL layer 1</b>  | 10cm x 5m             | 4.83  |
| <b>Hero H-2 XL layer 2</b>  | 10cm x 6.5m           | 4.91  |
| L&R Medical UK Ltd  |                       |       |
| <b>Actico 2C</b> – multi-layer compression bandage kit  | 18-25cm               | 8.32  |
|   | 25-32cm               | 9.36  |
| Actico 2C Kits contain a combination of the following components:                             |                       |       |
| <b>Actico 2C Comfort layer 1</b>  | 10cm x 3.5m           | 4.50  |
| <b>Actico 2C Compression layer 2</b>  | 10cm x 6m             | 4.13  |

**Multi-layer Compression Bandaging (cont)**

Lohmann &amp; Rauscher

|                                  |              |      |
|----------------------------------|--------------|------|
| <b>Cellona Undercast Padding</b> | 5cm x 2.7m   | 0.33 |
|                                  | 7.5cm x 2.7m | 0.40 |
|                                  | 10cm x 2.7m  | 0.49 |
|                                  | 15cm x 2.7m  | 0.64 |
| <b>Rosidal Soft</b>              | 10cm x 2.5m  | 5.50 |
|                                  | 12cm x 2.5m  | 6.72 |
|                                  | 15cm x 2.5m  | 8.48 |

Robinson Healthcare

(Ultra Four non-latex bandages)

|   |            |      |
|---|------------|------|
| <b>Ultra Four</b> -Multi-layer Compression Bandage Kit    | Up to 18cm | 6.48 |
|   | 18-25cm    | 5.73 |
| <b>Ultra Four RC</b> -Multi-layer Compression Bandage Kit | 18-25cm    | 4.19 |

Ultra Four Kits contain a combination of the following components:

|   |                           |      |
|---|---------------------------|------|
| <b>Ultra Soft Wadding Bandage</b> (layer #1)  | 10cm x 3.5m (unstretched) | 0.39 |
| <b>Ultra Lite</b> (layer #2)                  | 10cm x 4.5m(stretched)    | 0.86 |
| <b>Ultra Plus</b> (layer #3)                  | 10cm x 8.7m(stretched)    | 1.91 |
| <b>Ultra Fast Cohesive Bandage</b> (layer #4) | 10cm x 6.3m stretched     | 2.62 |

Smith &amp; Nephew Healthcare Ltd

|   |            |       |   |
|---|------------|-------|---|
| <b>Profore</b> Multi-layer Compression Bandage Kit      | Up to 18cm | 10.82 | ↑ |
|   | 18 - 25cm  | 10.09 | ↑ |
|   | 25 – 30cm  | 8.37  | ↑ |
|   | Above 30cm | 12.54 | ↑ |
| <b>Profore Lite</b> Multi-layer Compression Bandage Kit | Above 18cm | 5.82  | ↑ |

Profore kits contain a combination of the following components:

|                                    |                           |      |   |
|------------------------------------|---------------------------|------|---|
| <b>Profore Wound Contact Layer</b> | 14cm x 20cm               | 0.34 | ↑ |
| <b>Profore #1</b>                  | 10cm 3.5m (unstretched)   | 0.75 | ↑ |
| <b>Profore #2</b>                  | 10cm x 4.5m (stretched)   | 1.44 | ↑ |
| <b>Profore #3</b>                  | 10cm x 8.7m (stretched)   | 4.18 | ↑ |
| <b>Profore #4</b>                  | 10cm x 2.5m (unstretched) | 3.46 | ↑ |
| <b>Profore +</b>                   | 10cm x 3m (unstretched)   | 3.91 | ↑ |

|  |            |       |   |
|--|------------|-------|---|
| <b>Profore Latex-free</b> Multi-layer Compression Bandage Kit      | 18 - 25cm  | 10.78 | ↑ |
| <b>Profore Lite Latex-free</b> Multi-layer Compression Bandage Kit | Above 18cm | 6.33  | ↑ |

Profore Latex Free kits contain a combination of the following components:

|                              |                           |      |   |
|------------------------------|---------------------------|------|---|
| <b>Profore #1 Latex-Free</b> | 10cm x 3.5m (unstretched) | 0.81 | ↑ |
| <b>Profore #2 Latex-Free</b> | 10cm x 4.5m (stretched)   | 1.52 | ↑ |
| <b>Profore #3 Latex-Free</b> | 10cm x 8.7m (stretched)   | 4.54 | ↑ |
| <b>Profore #4 Latex-Free</b> | 10cm x 2.5m(unstretched)  | 3.76 | ↑ |
| <b>Profore + Latex-Free</b>  | 10cm x 3m (unstretched)   | 4.18 | ↑ |

**Multi-layer Compression Bandaging (cont)**

Urgo Ltd

|  |                   |      |
|--|-------------------|------|
| <b>K-Four</b> - Multi-layer Compression Bandage Kit                        | Less than 18cm    | 7.45 |
|  | 18-25cm           | 7.13 |
|  | 25cm-30cm         | 7.13 |
|  | Greater than 30cm | 9.82 |
| <b>K-Four</b> - reduced compression – multi layer compression bandage kit. | 18cm +            | 4.66 |

K-Four Kits contain a combination of the following components:

|  |                           |      |
|--|---------------------------|------|
| <b>K-Soft Layer #1</b> (Listed on page 11) | 10cm x 3.5m (unstretched) | 0.47 |
| <b>K-Lite Layer #2</b> (Listed on page 4)  | 10cm x 4.5m (stretched)   | 1.04 |
| <b>K-Plus Layer #3</b> (Listed on page 4)  | 10cm x 8.7m (stretched)   | 2.37 |
| <b>Ko-Flex Layer #4</b>                    | 10cm x 6m (stretched)     | 3.14 |
| <b>K-ThreeC</b>                            | 10cm x 3m (unstretched)   | 2.95 |

Please note the following components are only available individually &amp; not as part of a kit:

|   |                           |      |
|---|---------------------------|------|
| <b>K-Soft Long Layer #1</b> (Listed on page 11) | 10cm x 4.5m (unstretched) | 0.59 |
| <b>K-Lite Long Layer #2</b> (Listed on page 4)  | 10cm x 5.25m (stretched)  | 1.19 |
| <b>K-Plus Long Layer #3</b> (Listed on page 4)  | 10cm x 10.25m (stretched) | 2.74 |
| <b>Ko-Flex Long Layer #4</b>                    | 10cm x 7m (stretched)     | 3.60 |

|   |                |       |
|---|----------------|-------|
| <b>UrgoKTwo</b> – multi-layer compression bandage kit | 0 (short)      | 7.05  |
|   | 18-25cm (8cm)  | 7.88  |
|   | 18-25cm (10cm) | 8.35  |
|   | 18-25cm (12cm) | 10.53 |
|   | 25-32cm (8cm)  | 8.57  |
|   | 25-32cm (10cm) | 9.13  |
|   | 25-32cm (12cm) | 11.51 |

|  |                |      |
|--|----------------|------|
| <b>UrgoKTwo Latex Free</b> – multi-layer compression bandage kit | 18-25cm (10cm) | 8.87 |
|  | 25-32cm (10cm) | 9.69 |

|   |            |      |
|---|------------|------|
| <b>UrgoKTwo Reduced</b> – multi-layer compression bandage kit | 18-25cm    | 8.35 |
|   | 25cm -32cm | 9.13 |

|  |                |      |
|--|----------------|------|
| <b>UrgoKTwo Reduced Latex Free</b> – multi-layer compression bandage kit | 18-25cm (10cm) | 8.87 |
|  | 25-32cm (10cm) | 9.69 |

|   |         |       |
|---|---------|-------|
| <b>UrgoKTwo with UrgoStart</b> -multi-layer compression bandage kit | 18-25cm | 10.41 |
|   | 25-32cm | 11.10 |

**Open-Wove Bandage, Type 1 BP 1988**

(Syn: White open-wove bandage)

|            |      |
|------------|------|
| 2.5cm x 5m | 0.35 |
| 5cm x 5m   | 0.60 |
| 7.5cm x 5m | 0.84 |
| 10cm x 5m  | 1.09 |

**Polyamide and Cellulose Contour Bandage****Peha-haft** (Cohesive/Latex Free)

|            |      |
|------------|------|
| 2.5cm x 4m | 0.77 |
| 4cm x 4m   | 0.50 |
| 6cm x 4m   | 0.59 |
| 8cm x 4m   | 0.70 |
| 10cm x 4m  | 0.81 |
| 12cm x 4m  | 0.95 |

**PremierBand**

|            |      |
|------------|------|
| 5cm x 4m   | 0.12 |
| 7.5cm x 4m | 0.14 |
| 10cm x 4m  | 0.17 |
| 15cm x 4m  | 0.25 |

**Polyamide and Cellulose Contour Bandage BP 1988**

length 4m stretched

| Size  | Basic Price each                   |         |         |           |        |          |
|-------|------------------------------------|---------|---------|-----------|--------|----------|
|       | Acti-Wrap<br>(Cohesive/Latex Free) | Easifix | Kontour | Mollelast | Slinky | Stayform |
| 4cm   | -                                  | -       | -       | 0.32      | -      | -        |
| 5cm   | -                                  | 0.37    | 0.28    | -         | -      | 0.29     |
| 6cm   | 0.49                               | -       | -       | -         | -      | -        |
| 7.5cm | -                                  | 0.44    | 0.35    | -         | 0.60   | 0.36     |
| 8cm   | 0.72                               | -       | -       | -         | -      | -        |
| 10cm  | 0.85                               | 0.53    | 0.40    | -         | 0.72   | 0.40     |
| 15cm  | -                                  | 0.90    | 0.66    | -         | 1.05   | 0.69     |

**Polyamide and Cellulose Contour Bandage Knitted**

|  |       |      |
|--|-------|------|
| <b>Easifix K</b>                             | 2.5cm | 0.10 |
| For dressing retention – Length 4m stretched | 5cm   | 0.11 |
|  | 7.5cm | 0.17 |
|  | 10cm  | 0.19 |
|  | 15cm  | 0.34 |
| <br><b>K-Band</b>                            | 5cm   | 0.21 |
| For dressing retention – Length 4m stretched | 7cm   | 0.27 |
|  | 10cm  | 0.29 |
|  | 15cm  | 0.52 |
| <br><b>Knit-Band</b>                         | 5cm   | 0.10 |
| For dressing retention – Length 4m stretched | 7cm   | 0.16 |
|  | 10cm  | 0.18 |
|  | 15cm  | 0.31 |
| <br><b>Knit Fix</b>                          | 5cm   | 0.12 |
| For dressing retention – Length 4m stretched | 7cm   | 0.17 |
|  | 10cm  | 0.17 |
|  | 15cm  | 0.33 |

**Short Stretch Compression Bandage**

Indications: Venous leg ulcers and lymphoedema

|                               |            |      |
|-------------------------------|------------|------|
| <b>Actico (Cohesive)</b>      | 4cm x 6m   | 2.52 |
|                               | 6cm x 6m   | 2.95 |
|                               | 8cm x 6m   | 3.39 |
|                               | 10cm x 6m  | 3.52 |
|                               | 12cm x 6m  | 4.49 |
| <br><b>Clinistretch</b>       | 4cm x 6m   | 2.48 |
|                               | 6cm x 6m   | 2.90 |
|                               | 8cm x 6m   | 3.33 |
|                               | 10cm x 6m  | 3.46 |
|                               | 12cm x 6m  | 4.42 |
| <br><b>Clinistretch Short</b> | 6cm x 5m   | 2.72 |
|                               | 8cm x 5m   | 3.25 |
|                               | 10cm x 5m  | 3.55 |
|                               | 12cm x 5m  | 4.30 |
| <br><b>Comprilan</b>          | 6cm x 5m   | 2.85 |
|                               | 8cm x 5m   | 3.34 |
|                               | 10cm x 5m  | 3.59 |
|                               | 12cm x 5m  | 4.38 |
| <br><b>Rosidal K</b>          | 6cm x 5m   | 2.79 |
|                               | 8cm x 5m   | 3.33 |
|                               | 10cm x 5m  | 3.63 |
|                               | 10cm x 10m | 6.33 |
|                               | 12cm x 5m  | 4.41 |

**Sub-Compression Wadding Bandage**

|   |                             |        |
|---|-----------------------------|--------|
| <b>Cellona Undercast Padding</b>              | *5cm x 2.7m (unstretched)   | 0.33   |
|   | *7.5cm x 2.7m (unstretched) | 0.40   |
|   | *10cm x 2.7m (unstretched)  | 0.49   |
|   | *15cm x 2.7m (unstretched)  | 0.64   |
| <b>Clinistretch Soft</b><br>2.75m unstretched | 10cm x 2.75m                | 0.48   |
| <b>Flexi-Ban</b>                              | 10cm x 3.5m (unstretched)   | 0.52   |
| <b>K-Soft</b>                                 | *10cm x 3.5m (unstretched)  | 0.47   |
| <b>K-Soft Long</b>                            | *10cm x 4.5m (unstretched)  | 0.59   |
| <b>Ortho-Band Plus</b>                        | 10cm x 3.5m (unstretched)   | 0.37   |
| <b>Profore #1</b> (100% Natural Fleece)       | *10cm x 3.5m (unstretched)  | 0.75 ↑ |
| <b>Softexe</b>                                | 10cm x 3.5m (unstretched)   | 0.62   |
| <b>SurePress Absorbent Padding</b>            | *10cm x 3m                  | 0.59   |
| <b>Ultra Soft Wadding Bandage</b>             | *10cm x 3.5m (unstretched)  | 0.39   |
| <b>Velband Absorbent Padding Bandage</b>      | *10cm x 4.5m (unstretched)  | 0.76   |

\* see also Multi-layer Compression Bandaging

**Suspensory Bandage, Cotton**

NOTE: Type supplied to be endorsed

|   |          |      |
|---|----------|------|
| ✘ <u>Type 1</u>   | Small    | 1.81 |
| Cotton net bag with tapes and webbing waistband<br>(each in a carton or envelope)   | Medium   | 1.81 |
|   | Large    | 1.81 |
|   | Ex Large | 1.92 |
| <u>Type 2</u>   | Small    | 2.00 |
| Cotton net bag with elastic edge and webbing waistband<br>(each in a carton or envelope).   | Medium   | 2.07 |
|   | Large    | 2.14 |
|   | Ex Large | 2.22 |
| <u>Type 3</u>   | ✘ Small  | 2.16 |
| Cotton net bag with elastic edge and webbing waistband<br>with insertion of elastic centre-front<br>(each in a carton or envelope). | Medium   | 2.16 |
|   | Large    | 2.16 |
|   | Ex Large | 2.24 |

**Triangular Calico Bandage BP**

|                        |                             |      |
|------------------------|-----------------------------|------|
| (Individually wrapped) | 90cm (sides) x 127cm (base) | 1.31 |
|------------------------|-----------------------------|------|

✘ to be deleted 1 November 2021



**Two-Layer Cohesive Compression Systems**

Indications : Lymphoedema

3M Health Care Ltd

|   |              |       |
|---|--------------|-------|
| <b>Coban 2 Comfort Foam Layer (layer #1)</b>      | 5cm x 1.2m   | 2.91  |
|   | 10cm x 3.5m  | 7.59  |
|   | 15cm x 3.5m  | 11.53 |
|   | 20cm x 3.5m  | 13.26 |
| <b>Coban 2 Compression Layer (layer #2)</b>       | 5cm x 2.7m   | 1.45  |
|   | 10cm x 4.5m  | 4.88  |
|   | 15cm x 4.5m  | 7.27  |
| <b>Coban 2 Lite Comfort Foam Layer (layer #1)</b> | 7.5cm x 2.7m | 4.78  |
|   | 10cm x 2.7m  | 5.92  |
|   | 15cm x 2.7m  | 8.94  |
| <b>Coban 2 Lite Compression Layer (layer #2)</b>  | 2.5cm x 3.5m | 2.29  |
|   | 7.5cm x 3.3m | 3.64  |
|   | 10cm x 3.5m  | 4.68  |
|   | 15cm x 3.5m  | 6.34  |

**Zinc Paste Bandages**

To be supplied enclosed in sealed packages, which prevent the passage of moisture, as received from the manufacturer or wholesaler.

Zinc Paste (10%) Bandage BP 1993

|                             |            |      |
|-----------------------------|------------|------|
| <b>Viscopaste PB7 (10%)</b> | 7.5cm x 6m | 3.89 |
|-----------------------------|------------|------|

Zinc Paste (6%) and Ichthammol (2%) Bandage BP 1993

|                           |            |      |
|---------------------------|------------|------|
| <b>Ichthopaste (6/2%)</b> | 7.5cm x 6m | 3.92 |
|---------------------------|------------|------|

PAGE INTENTIONALLY BLANK

## Part III (c)

## Catheters

## Catheters, Accessories

|   |   |                   |                  |                   |
|---|---|-------------------|------------------|-------------------|
|   |   |                   | <b>pack of 5</b> |                   |
| <b>Bard Comfasure Catheter Retainer Strap</b>                 | SM3404  | Small             | 15.29            |                   |
|   | AD3403  | Adult             | 15.29            |                   |
|   | AB3405  | Abdominal         | 15.90            |                   |
| <b>Bard StatLock Foley Catheter Stabilisation Device</b>      |   |                   |                  |                   |
| For use with All Silicone and Latex Foley catheters           | FOL0102DT                                       |                   | 13.34            |                   |
|   |   |                   |                  | <b>each</b>       |
| <b>Cath-It Catheter Insertion/Removal Pack</b>                | 908410  | Small/Medium      | 1.98             |                   |
|   | 908420  | Medium/Large      | 1.98             |                   |
|   | 908430  | Large/Extra Large | 1.98             |                   |
|   |   |                   |                  | <b>pack of 10</b> |
| <b>CliniFix Tube Holder</b>                                   | 40-310  | 110mm x 25mm      | 18.35            |                   |
|   | 40-410  | 140mm x 40mm      | 20.07            |                   |
|   |   |                   |                  | <b>each</b>       |
| <b>Drain-Guard Fixation Device for Percutaneous Catheters</b> | 8150  |                   | 4.00             | <b>NEW</b>        |
|   |   |                   |                  | <b>pack of 10</b> |
| <b>Grip-Lok Catheter securement device</b>                    | 3300M   | Medium            | 23.00            |                   |
|   | 3400L   | Large             | 23.50            |                   |
| <b>Grip-Lok Foley Catheter securement device</b>              |   |                   |                  |                   |
| For use with all designs of Foley Catheter                    | 3400LFC   |                   | 23.50            |                   |
| <b>LINC Medical Systems Ltd</b>                               |   |                   |                  |                   |
| Bladder Infusion Kit  | MCI/701   |                   | 20.56            |                   |
|   |   |                   |                  | <b>Each</b>       |
| <b>FIX Strip</b> (4 straps and 1 pair of scissors)            |   |                   | 10.21            |                   |
|   |   |                   |                  | <b>pack of 10</b> |
| <b>LockBand</b>   | LB-F01  |                   | 16.40            |                   |
|   |   |                   |                  | <b>pack of 10</b> |
| <b>MultiFix Gentle</b>  | 3031  | Small             | 23.86            |                   |
|   | 3030  | Large             | 24.38            |                   |
| <b>P. Grip Catheter Retaining Strap</b>                       |   |                   |                  | <b>Each</b>       |
| CS.01   | 1 x leg strap (38mm x 600mm)                    |                   | 2.76             |                   |
|   | 1 x green velcro tab (20mm x 130mm)             |                   |                  |                   |
|   | 2 x self adhesive micro hooktabs (43mm x 25mm)  |                   |                  |                   |
| CS.02   | 1 x abdominal strap (38mm x 900mm)              |                   | 2.93             |                   |
|   | 1 x green velcro tab (20mm x 130mm)             |                   |                  |                   |
|   | 2 x self adhesive micro hooktabs (43mm x 25mm)  |                   |                  |                   |
| CS.TABS   | 1 x green velcro tab (20mm x 130mm)             |                   | 2.47             |                   |
|   | 10 x self adhesive micro hooktabs (43mm x 25mm) |                   |                  |                   |

|   |           |          |                            |
|---|-----------|----------|----------------------------|
| <b>ProSys Vesica Community Catheterisation Pack</b>     | VESCP-01  |          | 9.00                       |
| <b>ProSys Vesica Community Catheterisation Pack LT</b>  | VESCP-02  |          | 9.00                       |
| <b>SpeediBag Compact</b>                                | 28592     |          | <b>pack of 30</b><br>21.79 |
| <b>Ugo Fix Gentle</b>                                   | 3004      |          | <b>pack of 5</b><br>13.00  |
| For the fixation of foley catheters                     |           |          |                            |
| <b>Ugopro Catheterisation Procedure Pack</b>            | 3400      |          | <b>each</b><br>2.23        |
| <b>Catheter Maintenance Products</b>                    |           |          |                            |
| <b>✘ Catheter Inflation Solution with Antimicrobial</b> |           |          |                            |
| <b>Farco-fill Protect</b>                               |           | 10ml     | <b>each</b><br>5.00        |
| <b>Catheter Maintenance Solutions</b>                   |           |          |                            |
| <b>OptiFlo G</b>  | (CSG50)   | 50ml     | 3.75                       |
| 3.23% Citric Acid (Suby G)                              | (CSG100)  | 100ml    | 3.75                       |
| <b>OptiFlo R</b>  | (CSR50)   | 50ml     | 3.75                       |
| 6.0% Citric Acid (Solution R)                           | (CSR100)  | 100ml    | 3.75                       |
| <b>OptiFlo S</b>  | (CSS50)   | 50ml     | 3.53                       |
| 0.9% Saline   | (CSS100)  | 100ml    | 3.53                       |
| <b>UroFlush G</b>                                       | (URO50G)  | 50ml     | 3.15                       |
| 3.23% Citric Acid (Suby G)                              | (URO100G) | 100ml    | 3.15                       |
| <b>UroFlush R</b>                                       | (URO50R)  | 50ml     | 3.15                       |
| 6.0% Citric Acid (Solution R)                           | (URO100R) | 100ml    | 3.15                       |
| <b>UroFlush Saline 0.9%</b>                             | (URO50s)  | 50ml     | 3.15                       |
|   | (URO100S) | 100ml    | 3.15                       |
| <b>Uro-Tainer NaCl 0.9%</b>                             | (FB99849) | 50ml     | 3.66                       |
|   | (FB99833) | 100ml    | 3.66                       |
| <b>Uro-Tainer PHMB</b>                                  | (FB99965) | 100ml    | 3.54                       |
| 0.02% Polihexanide                                      |           |          |                            |
| <b>Uro-Tainer Twin Solutio R</b>                        | (9746625) | 2 x 30ml | 5.01                       |
| 6.0% Citric Acid  |           |          |                            |
| <b>Uro-Tainer Twin Suby G</b>                           | (9746609) | 2 x 30ml | 5.01                       |
| 3.23% Citric Acid                                       |           |          |                            |

**✘ to be deleted 1 November 2021**

**Catheters, Urinary, Urethral**

1. Catheter sizes are designated by the Charrière (Ch) gauge system - even numbers only. (The equivalent metric sizes for Charrière gauges 6-30 are 2.0mm-10.0mm, rising in 0.66mm). Where size is not stated by the prescriber, size 14 or 16 should be supplied.
2. If a balloon size is not stated by the prescriber when ordering a Foley catheter, a 10ml balloon catheter should be supplied - a 5ml balloon in the case of a paediatric catheter.
3. Where the brand is not stated by the prescriber, the basic price of each listed catheter supplied must not exceed:

|                                      | Basic Price |   |
|--------------------------------------|-------------|---|
| Nélaton (Male)                       | 0.44        | ↑ |
| Nélaton (Female)                     | 0.40        | ↑ |
| Nélaton (Paediatric)                 | 0.40        | ↑ |
| Foley (Male) short/medium term       | 2.27        |   |
| Foley (Female) short/medium term     | 2.27        |   |
| Foley (Paediatric) short/medium term | 4.64        |   |
| Foley (Male) long term               | 3.35        |   |
| Foley (Female) long term             | 3.35        |   |
| Foley (Paediatric) long term         | 3.35        |   |

Where the specification of the Foley Catheter is not specified by the prescriber and not endorsed as short/medium or long term the dispenser will be paid no more than the lowest basic price listed which is currently £2.27.

- 4.5-units of plastic catheters, for example, represents on average one month's supply for patients practising intermittent catheterisation.
5. The rate of use of single use Nélaton catheters is approximately between 6 and 45 times greater than reusable Nélaton catheters for patients practising intermittent catheterisation.

**All products in this category must be dispensed with a supply of wipes and disposal bags.**

**(A)(i) Nélaton Catheter ('ordinary' cylindrical Catheter)**

|                                  |               | Gauge | Price      |
|----------------------------------|---------------|-------|------------|
| Coloplast Ltd                    |               |       |            |
| <b>Self-Cath</b>                 |               |       | pack of 30 |
| (Male)                           | (408-416)     | 8-16  | 35.96      |
| (Female)                         | (210-214)     | 10-14 | 35.96      |
| (Paediatric)                     | (306-308)     | 6-8   | 35.96      |
| (Male Coude Taper Tip)           | (612-614)     | 12-14 | 50.05      |
| (Male Coude Olive Tip)           | (810-816)     | 10-16 | 50.05      |
| Hunter Urology Ltd               |               |       |            |
| <b>HunterCath non-coated ISC</b> |               |       | pack of 30 |
| (Male)                           | (SCM10-SCM16) | 10-16 | 50.41      |
| (Female)                         | (SCF08-SCF14) | 8-14  | 50.41      |
| (Paediatric)                     | (SCP06-SCP10) | 6-10  | 50.41      |

**(A)(i) Nélaton Catheter ('ordinary' cylindrical Catheter) - cont**

|  |                             | Gauge | Price      |   |
|--|-----------------------------|-------|------------|---|
| <b>Smooth Nelaton</b>  |                             |       | pack of 30 |   |
| (Male)   | (SNM08-SNM14)               | 8-14  | 35.29      |   |
| (Female)   | (SNF08-SNF14)               | 8-14  | 35.29      |   |
| (Paediatric)   | (SNP06-SNP10)               | 6-10  | 35.29      |   |
| Pennine Healthcare Ltd   |                             |       |            |   |
| <b>Pennine</b>   |                             |       | pack of 10 |   |
| (Male)   | (NC-1212/FP-1216/FP)        | 12-16 | 4.39       | ↑ |
| (Female)   | (FC-1410/FP-1414/FP)        | 10-14 | 4.00       | ↑ |
| (Paediatric)   | (NC-1206/FP/25-1210/FP/25)  | 6-10  | 4.00       | ↑ |
| <b>Pennine Pre-Lube</b> catheter with integral PVC capsule containing lubragel |                             |       | pack of 10 |   |
| (Male)   | (NC1608/FP-NC1616/FP)       | 8-16  | 9.95       |   |
| (Male)   | (NC1608/BG/FP-NC1616/BG/FP) | 8-16  | 11.52      |   |
| (Female)   | (FC1608/FP-FC1616/FP)       | 8-16  | 9.95       |   |
| Teleflex   |                             |       |            |   |
| <b>Rusch PVC Riplex Jaques</b>   |                             |       | pack of 5  |   |
| (Male)   | (DT6115-5)                  | 8-16  | 7.74       |   |
| (Female)   | (DT6114-5)                  | 8-16  | 7.05       |   |
| <b>Rusch PVC Riplex Extra Long (76cm)</b>                                      |                             |       |            |   |
| (Male/Female)  | (DT6116)                    | 8-14  | 7.84       |   |
| <b>Rusch Soft Rubber Jaques</b>  |                             |       | pack of 5  |   |
|  | (DT5143-5)                  | 8-14  | 6.73       |   |
| <b>SafetyCat non-coated ISC</b>  |                             |       | pack of 50 |   |
| (Male)   | (22082210-22082216)         | 10-16 | 79.47      |   |
| (Female)   | (22082110-22082116)         | 10-16 | 79.47      |   |
| (Paediatric)   | (22082008-22082010)         | 8-10  | 79.47      |   |
| WyMedical Ltd  |                             |       |            |   |
| <b>WyCath</b> Uncoated 4 eyelets soft tip catheter                             |                             |       | pack of 30 |   |
| (Standard)   | (U4SM10-U4SM16)             | 10-16 | 44.10      |   |
| <b>WyCath</b> Uncoated catheter  |                             |       | pack of 30 |   |
| (Paediatric)   | (WUP05, UP06)               | 5-6   | 33.45      |   |
| (Paediatric Tiemann Tip)   | (UTP06-UTP08)               | 6-8   | 42.58      |   |
| <b>WyCath</b> Uncoated catheter with soft tip                                  |                             |       | pack of 30 |   |
| (Male)   | (USM10-USM16)               | 10-16 | 44.10      |   |
| (Female)   | (USF08-USF12)               | 8-12  | 44.10      |   |
| (Paediatric)   | (USP08-USP10)               | 8-10  | 44.10      |   |
| <b>WyCath</b> Uncoated catheter with tapered tip                               |                             |       | pack of 30 |   |
| (Male)   | (UTAM10-UTAM16)             | 10-16 | 42.58      |   |
| (Female)   | (UTAF08-UTAF12)             | 8-12  | 42.58      |   |
| (Paediatric)   | (UTAP06-UTAP10)             | 6-10  | 42.58      |   |

**(A)(ii) Nélaton Catheter ('ordinary' cylindrical Catheter) Single use**

|   |                       | Gauge | Price      |
|---|-----------------------|-------|------------|
| Bard Ltd  |                       |       |            |
| <b>BD Ready-To-Use Hydrophilic Catheter</b>                                     |                       |       | pack of 30 |
| (Male)  | (RTU12M-RTU16M)       | 12-16 | 37.00      |
| (Female)  | (RTU10F-RTU14F)       | 10-14 | 37.00      |
| (Paediatric)  | (RTU06P-RTU10P)       | 6-10  | 37.00      |
| (Male Coude Tip)  | (RTU12C-RTU16C)       | 12-16 | 37.00      |
| <b>Bard HydroSil Go Intermittent Catheter</b>                                   |                       |       |            |
| (Male)  | (73810G-73820G)       | 10-20 | 52.77      |
| (Female)  | (71808-71818)         | 8-18  | 48.85      |
| (Paediatric)  | (72806G-72810G)       | 6-10  | 52.77      |
| <b>HydroSil gripper</b>   |                       |       |            |
| (Male)  | (73610-73618)         | 10-18 | 47.19      |
| (Paediatric)  | (72606-72610)         | 6-10  | 46.65      |
| <b>HydroSil rose</b>  |                       |       |            |
| (Female)  | (71410-71418)         | 10-18 | 48.86      |
| <b>HydroSil Silicone Hydrophilic Personal Catheter with integral water pack</b> |                       |       |            |
| (Male)  | (63610M-63618M)       | 10-18 | 45.73      |
| (Female)  | (71610-71618)         | 10-18 | 45.89      |
| (Paediatric)  | (62606P-62610P)       | 6-10  | 45.73      |
| <b>HydroSil discreet</b>  |                       |       |            |
| (Female)  | (61610C-61618C)       | 10-18 | 45.73      |
| B.Braun Medical Ltd   |                       |       |            |
| <b>B.Braun Medical Actreen Glys Luer Lock</b>                                   |                       |       |            |
| (Male)  | (227208E-227216E)     | 8-16  | 15.66      |
| (Female)  | (227308E-227316E)     | 8-16  | 15.66      |
| (Male Olive Tip Tiemann)  | (227408E-227416E)     | 8-16  | 15.66      |
| <b>B.Braun Medical Actreen Hi-Lite</b>  |                       |       |            |
| (Male)  | (238208E-238216E)     | 8-16  | 46.83      |
| (Female)  | (238306E-238316E)     | 6-16  | 46.83      |
| (Tiemann)   | (238108E-238116E)     | 8-16  | 46.83      |
| <b>B.Braun Medical Actreen Lite Cath</b>  |                       |       |            |
| (Female/Paediatric 20cm)  | (228306E-228316E)     | 6-16  | 48.01      |
| (Male)  | (228208E-228218E)     | 8-18  | 48.01      |
| (Male Olive Tip Tiemann)  | (228108E-228118E)     | 8-18  | 48.01      |
| <b>B.Braun Medical Actreen Mini Cath</b>  |                       |       |            |
| (Female)  | (228008E-228016E)     | 8-16  | 45.78      |
| C S Bullen Ltd  |                       |       |            |
| <b>C S Bullen Ltd Hi-Slip Hydrophilic Catheter</b>                              |                       |       |            |
| (Male)  | (HS.SM4008-HS.SM4022) | 8-22  | 30.90      |
| (Female)  | (HS.SF2008-HS.SF2016) | 8-16  | 30.90      |
| (Paediatric 20cm)   | (HS.SP2006-HS.SP2010) | 6-10  | 30.90      |
| (Paediatric 30cm)   | (HS.SP3006-HS.SP3010) | 6-10  | 30.90      |
| (Tiemann)   | (HS.ST4010-HS.ST4020) | 10-20 | 34.69      |

**(A)(ii) Nélaton Catheter ('ordinary' cylindrical Catheter) Single use – cont.**

|   |                       | Gauge            | Price      |
|---|-----------------------|------------------|------------|
| <b>C S Bullen Ltd Hi-Slip Plus Hydrophilic Catheter with water sachet</b> |                       |                  | pack of 30 |
| (Male)  | (HS.PM4008-HS.PM4024) | 8-24             | 33.11      |
| (Female)  | (HS.PF2008-HS.PF2016) | 8-16             | 33.11      |
| (Paediatric 20cm)   | (HS.PP2006-HS.PP2010) | 6-10             | 33.11      |
| (Paediatric 30cm)   | (HS.PP3006-HS.PP3010) | 6-10             | 33.11      |
| (Tiemann)   | (HS.PT4010-HS.PT4020) | 10-20            | 37.84      |
| <b>Clinimed</b>   |                       |                  |            |
| <b>Curan Advantage</b>  |                       |                  | pack of 30 |
| (Male)  | (WHM10-WHM16)         | 10-16            | 36.91      |
| (Female)  | (WHF08-WHF14)         | 8-14             | 36.91      |
| (Unisex)  | (WHU08-WHU14)         | 8-14             | 36.91      |
| <b>Curan Lady</b>   |                       |                  | pack of 30 |
| (Female)  | (CL08-CL14)           | 8-14             | 43.30      |
| <b>Curan Man</b>  |                       |                  | pack of 30 |
| (Male)  | (CM12-CM16)           | 12-16            | 47.42      |
| <b>CliniSupplies Ltd</b>  |                       |                  |            |
| <b>Prosys SensaCath Hydrophilic Intermittent Catheter</b>                 |                       |                  | pack of 30 |
| (Male)  | (PSCM10-PSCM18)       | 10-18            | 38.01      |
| (Female)  | (PSCF10-PSCF16)       | 10-16            | 38.01      |
| <b>Coloplast Ltd</b>  |                       |                  |            |
| <b>Conveen EasiCath</b>   |                       |                  | pack of 25 |
| (Male Nélaton)  | (5348-5362)           | 8-22             | 32.70      |
| (Female)  | (5368-5376)           | 8-16             | 32.70      |
| (Tiemann Tip)   | (5382-5386)           | 12-16            | 32.70      |
| <b>SpeediCath (Pre-Hydrated Polyurethane)</b>                             |                       |                  | pack of 30 |
| (Male)  | (28408-28418)         | 8-18             | 47.04      |
| (Female)  | (28506-28516)         | 6-16             | 47.04      |
| (Paediatric)  | (28706-28710)         | 6-10             | 47.04      |
| (SpeediCath 30cm)   | (28606-28612)         | 6-12             | 47.04      |
| (Tiemann)   | (28490-28496)         | 10-16            | 47.04      |
| <b>SpeediCath Compact</b>   |                       |                  | pack of 30 |
| (Male)  | (28692)               | 12/18 (one size) | 56.94      |
| (Female)  | (28576)               | 6                | 48.71      |
|   | (28578-28584)         | 8-14             | 48.66      |
| <b>SpeediCath Compact Eve</b>   |                       |                  | pack of 30 |
| (Female)  | (28110-28114)         | 10-14            | 53.12      |
| <b>SpeediCath Compact Plus</b>  |                       |                  | pack of 30 |
| (Female)  | (28810-28814)         | 10-14            | 51.31      |
| <b>SpeediCath Control</b>   |                       |                  | pack of 30 |
| (Male)  | (28212)               | 12               | 48.71      |
| <b>SpeediCath Flex</b>  |                       |                  | pack of 30 |
| (Male)  | (28920-28924, 28916)  | 10-16            | 56.46      |
| <b>SpeediCath Flex pocket size</b>  |                       |                  | pack of 30 |
| (Male)  | (28910-28914)         | 10-14            | 56.00      |



**(A)(ii) Nélaton Catheter ('ordinary' cylindrical Catheter) Single use – cont.**

| ConvaTec Limited   |                   | Gauge | Price               |
|--|-------------------|-------|---------------------|
| <b>GC Air</b>  |                   |       | pack of 30          |
| (Female)   | (421721-421723)   | 10-14 | 54.00               |
| <b>GC Glide Hydrophilic Catheter with water sachet</b>                             |                   |       | pack of 30          |
| (Male)   | (421564, 421569)  | 8, 18 | 38.43               |
| (Female)   | (421570)          | 8     | 38.43               |
| (Tiemann Tip)  | (421907-421912)   | 8-18  | 38.43               |
| <b>GentleCath Glide Hydrophilic Catheter with water sachet</b>                     |                   |       | pack of 30          |
| (Male)   | (421565-421568)   | 10-16 | 38.83               |
| (Female)   | (421571-421574)   | 10-16 | 38.83               |
| Great Bear Healthcare Ltd  |                   |       |                     |
| <b>Great Bear Healthcare Ltd Cubcath</b>   |                   |       | pack of 30          |
| (Male)   | (AVM10-AVM16)     | 10-16 | 42.58               |
| (Female)   | (AVF08-AVF14)     | 8-14  | 42.58               |
| (Paediatric)   | (AVP06-AVP10)     | 6-10  | 42.58               |
| GTA (UK) Ltd   |                   |       |                     |
| <b>GTA (UK) Ltd Idrocath</b>   |                   |       | pack of 20          |
| (Male)   | (50010)           | 8-24  | 19.40               |
| (Female)   | (50011)           | 8-18  | 19.40               |
| (Paediatric)   | (50012)           | 6-10  | 19.40               |
| (Child)  | (50013)           | 8-10  | 19.40               |
| Hollister Ltd  |                   |       |                     |
| <b>Hollister Advance Intermittent catheters</b> with protective tip                |                   |       | pack of 25          |
| (Male)   | (92084-92184)     | 8-18  | 37.91               |
| (Female)   | (92062-92142)     | 6-14  | 37.91               |
| <b>Hollister Infyna Chic Hydrophilic Intermittent Catheter</b>                     |                   |       | pack of 30          |
| (Female)   | (7008-7014)       | 8-14  | 51.65               |
| <b>Hollister Infyna Hydrophilic Intermittent Catheter</b>                          |                   |       | pack of 30          |
| (Female 17cm)  | (88081-88141)     | 8-14  | 48.93 ↑             |
| <b>Hollister InstantCath</b>   |                   |       | pack of 25          |
| (Male)   | (9670-9673)       | 10-16 | 35.22               |
| (Female)   | (9674-9676)       | 10-14 | 35.22               |
| (Paediatric)   | (9677-9678)       | 6-8   | 35.22               |
| <b>Hollister VaPro F-Style</b>   | (7600084-7600164) | 8-16  | pack of 30<br>54.09 |
| <b>Hollister VaPro Hydrophilic Catheter</b> with integrated hydrating vapour strip |                   |       | pack of 30          |
| (Male 40cm)  | (72084-72164)     | 8-16  | 55.18 ↑             |
| (Female 20cm)  | (72082-72142)     | 8-14  | 55.18 ↑             |
| (Tiemann)  | (73124-73164)     | 12-16 | 54.57               |
| <b>Hollister VaPro Pocket Hydrophilic Intermittent Catheter</b>                    |                   |       | pack of 30          |
| (Male 40cm)  | (70104-70164)     | 10-16 | 54.81               |
| (Female 20cm)  | (70102-70142)     | 10-14 | 54.69               |

**(A)(ii) Nélaton Catheter ('ordinary' cylindrical Catheter) Single use – cont.**

|   |                       | Gauge | Price      |
|---|-----------------------|-------|------------|
| <b>Hunter Urology Ltd Aloe Hydro</b>  |                       |       | pack of 30 |
| (Male)  | (AHM10-AHM16)         | 10-16 | 52.56      |
| (Female)  | (AHF08-AHF14)         | 8-14  | 52.56      |
| (Paediatric)  | (AHP06-AHP10)         | 6-10  | 52.56      |
| <b>Hunter Urology Ltd Aloe Original</b>                                       |                       |       | pack of 30 |
| (Male)  | (ABM10-ABM18)         | 10-18 | 46.57      |
| (Female)  | (ABF08-ABF14)         | 8-14  | 46.57      |
| (Paediatric)  | (ABP06-ABP10)         | 6-10  | 46.57      |
| <b>Hunter Urology Ltd Aloe Original Plus</b>                                  |                       |       | pack of 30 |
| (Male)  | (PSAOM10-PSAOM16)     | 10-16 | 53.70      |
| (Female)  | (PSAOF08-PSAOF14)     | 8-14  | 53.70      |
| (Paediatric)  | (PSAOP06-PSAOP10)     | 6-10  | 53.70      |
| <b>Hunter Urology Ltd Aloe Hydro Plus</b>                                     |                       |       | pack of 30 |
| (Male)  | (PSAHM10-PSAHM16)     | 10-16 | 54.09      |
| (Female)  | (PSAHF08-PSAHF14)     | 8-14  | 54.09      |
| (Paediatric)  | (PSAHP06-PSAHP10)     | 6-10  | 54.09      |
| MacGregor Healthcare Ltd  |                       |       |            |
| <b>Qufora Onestep Hydrophilic Intermittent Catheter</b>                       |                       |       | pack of 30 |
| (Male)  | (351412-351416)       | 12-16 | 38.43      |
| (Female)  | (351210-351214)       | 10-14 | 38.43      |
| <b>Qufora Twostep Hydrophilic Intermittent Catheter</b>                       |                       |       | pack of 30 |
| (Male)  | (361412-361416)       | 12-16 | 26.44      |
| (Female)  | (361210-361214)       | 10-14 | 26.44      |
| Manfred Sauer UK Ltd  |                       |       |            |
| <b>Manfred Sauer UK Ltd iQ Cath</b>   |                       |       | pack of 30 |
| (Male)  | (IQ2004.10-IQ2004.18) | 10-18 | 49.10      |
| <b>Manfred Sauer UK Ltd iQ Cath Easy Hydrophilic</b>                          |                       |       | pack of 30 |
| (Male)  | (IQ4004.10-IQ4004.18) | 10-18 | 45.12      |
| <b>Manfred Sauer UK Ltd iQ Cath Gel+</b>                                      |                       |       | pack of 30 |
| (Male)  | (IQ3204.10-IQ3204.18) | 10-18 | 54.17      |
| <b>Manfred Sauer UK Ltd iQ Cath Hydrophilic with integrated saline sachet</b> |                       |       | pack of 30 |
| (Male)  | (IQ2104.10-IQ2104.18) | 10-18 | 48.23      |
| <b>Manfred Sauer UK Ltd iQ Cath Integral Gel Sachet</b>                       |                       |       | pack of 30 |
| (Male)  | (IQ3104.10-IQ3104.16) | 10-16 | 48.61      |
| <b>Manfred Sauer UK Ltd iQ Cath Original Solo Hydrophilic double wrapped</b>  |                       |       | pack of 30 |
| (Male)  | (IQ2014.12-IQ2014.14) | 12-14 | 48.35      |

**(A)(ii) Nélaton Catheter ('ordinary' cylindrical Catheter) Single use – cont.**

|   |                             | Gauge | Price               |
|---|-----------------------------|-------|---------------------|
| <b>Manfred Sauer UK Ltd iQ Cath Solo for Gel</b>                                |                             |       | pack of 30          |
| (Male)  | (IQ3004.12-IQ3004.16)       | 12-16 | 48.35               |
| Mediwatch UK Ltd  |                             |       |                     |
| <b>Mediwatch UK Ltd uCath</b>   |                             |       | pack of 30          |
| (Male 40cm)   | (M08-M18)                   | 8-18  | 35.40               |
| (Female 12cm)   | (F1208-F1216)               | 8-16  | 35.40               |
| (Female 18cm)   | (F1808-F1816)               | 8-16  | 35.40               |
| (Paediatric 30cm)   | (P06-P10)                   | 6-10  | 35.40               |
| <b>Mediwatch UK Ltd uCath H2O with water sachet</b>                             |                             |       |                     |
|   |                             |       | pack of 30          |
| (Male)  | (uCath/HM08-uCath/HM18)     | 8-18  | 38.40               |
| (Female 12cm)   | (uCath/HF1208-uCath/HF1216) | 8-16  | 38.40               |
| (Female 18cm)   | (uCath/HF1808-uCath/HF1816) | 8-16  | 38.40               |
| (Paediatric)  | (uCath/HP06-uCath/HP10)     | 6-10  | 38.40               |
| Peak Medical Ltd  |                             |       |                     |
| <b>Peak Medical Ltd UltraSmooth Aqua Hydrophilic Catheter with water sachet</b> |                             |       |                     |
|   |                             |       | pack of 30          |
| (Male)  | (USA4208-USA4218)           | 8-18  | 37.71               |
| (Female)  | (USA1408-USA1418)           | 8-18  | 37.71               |
| (Paediatric)  | (USA3408-USA3410)           | 8-10  | 37.71               |
| (Male Tiemann Tip)  | (USAT4210-USAT4216)         | 10-16 | 41.97               |
| <b>Peak Medical Ltd UltraSmooth MCath4 with 4 drainage eyes</b>                 |                             |       |                     |
| (40cm)  | (USM4008-USM4018)           | 8-18  | pack of 60<br>64.56 |
| <b>Peak Medical Ltd UltraSmooth Plus Hydrophilic Catheter</b>                   |                             |       |                     |
|   |                             |       | pack of 25          |
| (Male)  | (USP4008-USP4018)           | 8-18  | 23.75               |
| (Female)  | (USP1808-USP1818)           | 8-18  | 23.75               |
| Spirit Healthcare Ltd   |                             |       |                     |
| <b>SpiritCare Hydrophilic Intermittent Catheter with water sachet</b>           |                             |       |                     |
|   |                             |       | pack of 30          |
| (Male)  | (SH-CC023-SH-CC028)         | 8-18  | 33.00               |
| (Female)  | (SH-CC029-SH-CC033)         | 8-16  | 33.00               |
| Teleflex  |                             |       |                     |
| <b>Liquick Base</b>   |                             |       |                     |
|   |                             |       | pack of 60          |
| (Male)  | (630010-630016)             | 10-16 | 88.55               |
| (Female)  | (630106-630114)             | 6-14  | 88.55               |
| (Paediatric)  | (630208-630210)             | 8-10  | 88.55               |
| (Tiemann Tip)   | (631012-631016)             | 12-16 | 88.55               |
| <b>Liquick Pure</b>   |                             |       |                     |
|   |                             |       | Pack of 30          |
| (Female)  | (851321-000080-000140)      | 8-14  | 47.12               |
| (Female Ergothan Tip)   | (851322-000080-000140)      | 8-14  | 48.07               |
| <b>Liquick X-treme</b>  |                             |       |                     |
|   |                             |       | Pack of 30          |
| (Male 40cm)   | (851842-000100-000160)      | 10-16 | 52.35               |
| (Female 20cm)   | (851822-000100-000140)      | 10-14 | 52.35               |

**(A)(ii) Nélaton Catheter ('ordinary' cylindrical Catheter) Single use – cont.**

|   |                        | Gauge | Price      |
|---|------------------------|-------|------------|
| <b>MobiLoc</b>  |                        |       | pack of 60 |
| (Female)  | (550114G)              | 14    | 85.38      |
| (Male)  | (550012G-550014G)      | 12-14 | 85.38      |
| (Paediatric)  | (550208G-550210G)      | 8-10  | 85.38      |
| <b>MobiStom with gel</b>  |                        |       | pack of 60 |
| (Male 40cm)   | (570014G-570018G)      | 14-18 | 91.71      |
| (Tiemann Tip 40cm)  | (571014G)              | 14    | 91.71      |
| (Nelaton Tip 40cm)  | (572014G)              | 14    | 91.71      |
| <b>Rusch Flocath Hydro Gel</b>  |                        |       | pack of 30 |
| (Female)  | (851121)               | 8-16  | 37.11      |
| (Paediatric)  | (851131)               | 6-10  | 37.11      |
| (Male)  | (851141)               | 8-20  | 37.11      |
| (Male Tiemann Tip)  | (851143)               | 10-18 | 37.11      |
| <b>Rusch Flocath quick, with integral 0.9% sterile saline solution</b>    |                        |       | pack of 30 |
| (Female)  | (851221)               | 8-14  | 38.38      |
|   |                        | 16-20 | 38.38      |
| (Male)  | (851241)               | 8-18  | 38.38      |
|   |                        | 20    | 38.38      |
| <b>SafetyCat Active</b>   |                        |       | pack of 30 |
| (Male)  | (851741-000120-000160) | 12-16 | 53.13      |
| (Male Ergothan Tip)   | (851742-000100-000160) | 10-16 | 53.13      |
| (Male Tiemann Tip)  | (851743-000120-000160) | 12-16 | 53.13      |
| (Female Ergothan Tip)   | (851722-000060-000140) | 6-14  | 53.13      |
| (Paediatric Ergothan Tip)   | (851732-000080-000100) | 8-10  | 53.13      |
| Vesica Urology Ltd  |                        |       |            |
| <b>OptiSmooth Hydrophilic</b>   |                        |       | pack of 30 |
| (Male)  | (OS4008-OS4018)        | 8-18  | 35.40      |
| (Female)  | (OS1808-OS1816)        | 8-16  | 35.40      |
| (Female Mini)   | (OS1208-OS1216)        | 8-16  | 35.40      |
| (Paediatric)  | (OS3006-OS3010)        | 6-10  | 35.40      |
| <b>OptiSmooth Mitro with 4 staggered drainage eyes</b>                    |                        |       | pack of 60 |
| (40cm)  | (OSM4008-OSM4018)      | 8-18  | 76.80      |
| (50cm)  | (OSM5008-OSM5018)      | 8-18  | 76.80      |
| <b>OptiSmooth Mitro XL with 4 extra large heat polished drainage eyes</b> |                        |       | pack of 60 |
| (40cm)  | (OSMXL4010-OSMXL4014)  | 10-14 | 76.80      |

**(A)(ii) Nélaton Catheter ('ordinary' cylindrical Catheter) Single use – cont.**

|   |                   | Gauge | Price      |
|---|-------------------|-------|------------|
| Wellspect HealthCare  |                   |       |            |
| <b>Wellspect HealthCare LoFric (non PVC)</b>                                  |                   |       | pack of 30 |
| (Male)  | (4000825-4002225) | 8-22  | 43.68      |
| (Female 15cm)   | (4040825-4041425) | 8-14  | 44.86      |
| (Female 20cm)   | (4030825-4031825) | 8-18  | 44.86      |
| (Paediatric 20cm)   | (4010625)         | 6     | 44.86      |
| (Paediatric 30cm)   | (4020825-4021025) | 8-10  | 44.86      |
| (Tiemann Tip)   | (4051025-4051825) | 10-18 | 43.35      |
| <b>Wellspect HealthCare LoFric Elle</b>                                       |                   |       | pack of 30 |
| (Female)  | (4181025-4181425) | 10-14 | 51.00      |
| <b>Wellspect HealthCare LoFric Insti-Cath</b>                                 |                   |       | pack of 30 |
| (Male 40cm)   | (4070825-4071425) | 8-14  | 46.56      |
| (Female 20cm)   | (4080825-4081425) | 8-14  | 46.56      |
| (Paediatric 20cm)   | (4400825-4401025) | 8-10  | 46.56      |
| (Tiemann 40cm)  | (4091200)         | 12    | 46.56      |
| <b>Wellspect HealthCare LoFric Origo with water</b>                           |                   |       | pack of 30 |
| (Male 40cm)   | (4431025-4431825) | 10-18 | 54.06      |
| (Paediatric 30cm)   | (4420825-4421225) | 8-12  | 54.06      |
| (Tiemann 40cm)  | (4441025-4441825) | 10-18 | 54.06      |
| <b>Wellspect HealthCare LoFric Primo Non-PVC with integrated water pocket</b> |                   |       | pack of 30 |
| (Male)  | (4100825-4101825) | 8-18  | 48.61      |
| (Female 15cm)   | (4140825-4141425) | 8-14  | 49.99      |
| (Female 20cm)   | (4130825-4131825) | 8-18  | 49.99      |
| (Paediatric)  | (4110625-4111025) | 6-10  | 49.99      |
| (Tiemann Tip)   | (4151025-4151825) | 10-18 | 48.31      |
| <b>Wellspect LoFric Sense</b>   |                   |       | pack of 30 |
| (Female 15cm)   | (4160825-4161425) | 8-14  | 49.99      |
| WyMedical Ltd   |                   |       |            |
| <b>WyCath H2O hydrophilic 4 eyelets catheter with water sachet (Soft Tip)</b> |                   |       | pack of 30 |
| (Male 40cm)   | (W4SM10-W4SM16)   | 10-16 | 45.92      |
| <b>WyCath H2O hydrophilic catheter with water sachet</b>                      |                   |       | pack of 30 |
| (Male 40cm)   | (W2M10-W2M16)     | 10-16 | 41.97      |
| (Female 18cm)   | (W2F08-W2F12)     | 8-12  | 41.97      |
| (Female Short 11cm)   | (W2SH08-W2SH12)   | 8-12  | 41.97      |
| (Paediatric 30cm)   | (W2P06-W2P10)     | 6-10  | 41.97      |
| <b>WyCath H2O hydrophilic catheter with water sachet (Soft Tip)</b>           |                   |       | pack of 30 |
| (Male 40cm)   | (W2SM10-W2SM18)   | 10-18 | 45.92      |
| (Female 18cm)   | (W2SF08-W2SF14)   | 8-14  | 45.92      |
| (Paediatric 30cm)   | (W2SP08-W2SP10)   | 8-10  | 45.92      |
| <b>WyCath H2O hydrophilic catheter with water sachet (Tapered Tip)</b>        |                   |       | pack of 30 |
| (Male 40cm)   | (W2TAM10-W2TAM18) | 10-18 | 44.10      |
| (Female 18cm)   | (W2TAF08-W2TAF14) | 8-14  | 44.10      |
| (Paediatric 30cm)   | (W2TAP06-W2TAP10) | 6-10  | 44.10      |
| <b>WyCath H2O hydrophilic catheter with water sachet (Tiemann Tip)</b>        |                   |       | pack of 30 |
| (Male 40cm)   | (W2TM10-W2TM16)   | 10-16 | 42.58      |
| (Paediatric 30cm)   | (W2TP06-W2TP10)   | 6-10  | 42.58      |

**(A)(iii) Dilatation Catheter without drainage eyes**

Not indicated for bladder emptying

|  |                       | Gauge | Price      |
|--|-----------------------|-------|------------|
| Hunter Urology Ltd   |                       |       |            |
| <b>Hunter Urology Ltd Aloe Meatal</b>                              |                       |       | pack of 30 |
|  | (ALOEM10-ALOEM16)     | 10-16 | 41.29      |
| <b>Hunter Urology Ltd Aloe Meatal Plus</b>                         |                       |       | pack of 30 |
|  | (ALOEMPS10-ALOEMPS18) | 10-18 | 42.08      |
| <b>Hunter Urology Ltd Aloe Original Dilation</b>                   |                       |       | pack of 30 |
|  | (ABD16-ABD18)         | 16-18 | 41.09      |
| Peak Medical Ltd   |                       |       |            |
| <b>Peak Medical Ltd UltraSmooth Hydrophilic Catheter</b>           |                       |       | pack of 25 |
| (Male)   | (USD4012-USD4018)     | 12-18 | 35.03      |
| <b>Peak Medical Ltd UltraSmooth Hydrophilic Meatal Dilator</b>     |                       |       | pack of 30 |
| (Tapered Tip)  | (USMDT12-USMDT18)     | 12-18 | 38.82      |
| <b>Peak Medical Ltd UltraSmooth Meatal Dilator</b>                 |                       |       | pack of 25 |
|  | (USMD08-18)           | 8-18  | 34.56      |
| Vesica Urology Ltd   |                       |       |            |
| <b>Vesica Urology Ltd OptiSmooth MD Hydrophilic Meatal Dilator</b> |                       |       | pack of 30 |
| Tapered tip  | (OSMDIL08-OSMDIL18)   | 8-18  | 36.00      |
| Wellspect HealthCare   |                       |       |            |
| <b>Wellspect HealthCare LoFric Dila-Cath (non PVC)</b>             |                       |       | pack of 30 |
|  | (4061625-4061825)     | 16-18 | 43.06      |
| WyMedical Ltd  |                       |       |            |
| <b>WyMedical Ltd WyCath Hydrophilic Meatal Dilator</b>             |                       |       | pack of 30 |
| Standard tip   | (WCM08-WCM18)         | 8-18  | 38.93      |
| Tapered tip  | (WMT08-WMT18)         | 8-18  | 40.75      |

**(A)(iv) Nelaton Catheter with Urine Drainage Bag**

|   |                   | Gauge | Price      |
|---|-------------------|-------|------------|
| <b>B.Braun Medical Actreen Glyc Set</b> |                   |       | pack of 30 |
| (Male)                                  | (226208E-226218E) | 8-18  | 64.77      |
| (Female)                                | (226306E-226316E) | 6-16  | 64.77      |
| (Male Tiemann)                          | (226108E-226116E) | 8-16  | 64.77      |

**(A)(v) Nelaton Catheter with Water Container and Urine Drainage Bag**

|                                   |                       | Balloon Size | Gauge | Price      |
|-----------------------------------|-----------------------|--------------|-------|------------|
| C S Bullen Ltd                    |                       |              |       |            |
| <b>Hi-Slip Kit</b>                |                       |              |       | pack of 20 |
| (Male)                            | (HS.KM4008-HS.KM4018) |              | 8-18  | 32.21      |
| (Female)                          | (HS.KF2008-HS.KF2016) |              | 8-16  | 32.21      |
| (Paediatric 20cm)                 | (HS.KP2006-HS.KP2010) |              | 6-10  | 32.21      |
| (Paediatric 30cm)                 | (HS.KP3006-HS.KP3010) |              | 6-10  | 32.21      |
| (Tiemann)                         | (HS.KT4010-HS.KT4018) |              | 10-18 | 33.25      |
| GTA(UK) Ltd                       |                       |              |       |            |
| <b>Idrocath Kit</b>               |                       |              |       | pack of 20 |
| (Male)                            | (50110)               |              | 8-24  | 32.34      |
| (Female)                          | (50111)               |              | 8-18  | 32.34      |
| (Paediatric)                      | (50112)               |              | 6-10  | 32.34      |
| (Child)                           | (50113)               |              | 8-10  | 32.34      |
| Wellspect HealthCare              |                       |              |       |            |
| <b>LoFric Hydro-Kit</b>           |                       |              |       | pack of 20 |
| ✚ (Female)                        | (4230825-4231825)     |              | 8-18  | 40.76      |
| ✚ (Paediatric)                    | (4210825-4211025)     |              | 8-10  | 40.76      |
|                                   |                       |              |       | pack of 30 |
| (Female)                          | (42308253-42318253)   |              | 8-18  | 61.14      |
| (Paediatric)                      | (42108253-42110253)   |              | 8-10  | 61.14      |
| <b>LoFric Hydro-Kit (non PVC)</b> |                       |              |       | pack of 20 |
| ✚ (Male)                          | (4200825-4201825)     |              | 8-18  | 39.53      |
| ✚ (Tiemann Tip)                   | (4251025-4251825)     |              | 10-18 | 39.90      |
|                                   |                       |              |       | pack of 30 |
| (Male)                            | (42008253-42018253)   |              | 8-18  | 59.30      |
| (Tiemann Tip)                     | (42510253-42518253)   |              | 10-18 | 59.85      |

✚ to be deleted 1 December 2021

**(B)(i)(a) Foley Catheter - 2 Way (indwelling Nelaton catheter with Balloon)**

| For Short/medium Term Use - Adult  |                       | Balloon Size | Gauge | Price     |
|--|-----------------------|--------------|-------|-----------|
| <b>Bard PTFE Coated Latex</b>  |                       |              |       |           |
| (Male)   | (D1265LV)             | 10           | 12-26 | 2.82      |
| (Female)   | (D0169LV)             | 10           | 12-22 | 4.21      |
| <b># Bard PTFE Aquamatic Coated Latex</b>  |                       |              |       |           |
|  | (D1265AL)             | 10           | 12-22 | 3.22      |
| Teleflex   |                       |              |       |           |
| <b>Rüsch PTFE AquaFlate.</b> PTFE Coated Latex with sterile water filled syringe for balloon inflation and empty syringe for balloon deflation |                       |              |       | pack of 1 |
| (Male)   | (DP310112 - DP310118) | 10           | 12-18 | 2.27      |
| (Female)   | (DP210112 - DP210118) | 10           | 12-18 | 2.27      |

**(B)(i)(b) Foley Catheter - 2 Way (indwelling Nelaton catheter with balloon)**

| For Short/Medium Term Use - Paediatric      |                 | Balloon Size | Gauge | Price |
|---|-----------------|--------------|-------|-------|
| Note: Average period of use is 1 to 3 weeks |                 |              |       |       |
| Bard  |                 |              |       |       |
| PTFE Coated Latex                           | (D0165PV)       | 5            | 8-10  | 7.80  |
| Coloplast Ltd                               |                 |              |       |       |
| Folatex Silicone Coated Latex               | (AP1408-AP1410) | 5            | 8-10  | 4.64  |

# Pre-filled with sterile water



**(B)(ii)(a) Foley Catheter - 2 Way For Long Term Use - Adult**

Note: Average period of use is 3 to 12 weeks

|   |                     | Ballon Size | Gauge | Price     |
|---|---------------------|-------------|-------|-----------|
| Bard Ltd  |                     |             |       |           |
| <b>Bard Bardex I.C. Bard Tray</b>   |                     |             |       | pack of 1 |
| (Male)  | (D23655S12-16)      | 10          | 12-16 | 18.77     |
|   | (D23655M12-16)      | 10          | 12-16 | 18.77     |
|   | (D23655L12-16)      | 10          | 12-16 | 18.77     |
| (Female)  | (D23695S12-16)      | 10          | 12-16 | 18.77     |
|   | (D23695M12-16)      | 10          | 12-16 | 18.77     |
|   | (D23695L12-16)      | 10          | 12-16 | 18.77     |
| <b>Bard Bardex I.C. with silver alloy coating and a pre-filled syringe of sterile water</b>     |                     |             |       | pack of 1 |
| (Standard)  | (D236512S-D236522S) | 10          | 12-22 | 10.17     |
| (Female)  | (D236912S-D236916S) | 10          | 12-16 | 10.17     |
| <b>Bard Biocath Hydrogel Coated</b>   |                     |             |       | pack of 1 |
| (Male)  | (D2265)             | 10          | 12-26 | 8.71      |
|   | (D2266)             | 30          | 12-26 | 8.82      |
| (Female)  | (D2269)             | 10          | 12-22 | 8.82      |
| # <b>Bard Biocath Aquamatic Hydrogel Coated</b>   |                     |             |       | pack of 1 |
| (Male)  | (D2264)             | 10          | 12-22 | 8.95      |
| (Female)  | (D2268)             | 10          | 12-22 | 9.00      |
| <b>Bard Biocath Comprehensive Care Foley Tray</b>   |                     |             |       | pack of 1 |
| (Male)  | (D22655S12-16)      | 10          | 12-16 | 17.83     |
|   | (D22655M12-16)      | 10          | 12-16 | 17.83     |
|   | (D22655L12-16)      | 10          | 12-16 | 17.83     |
| (Female)  | (D22695S12-16)      | 10          | 12-16 | 17.83     |
|   | (D22695M12-16)      | 10          | 12-16 | 17.83     |
|   | (D22695L12-16)      | 10          | 12-16 | 17.83     |
| <b>Bard Lubri-Sil Aquafil Hydrogel Coated Silicone with pre-filled syringe of sterile water</b> |                     |             |       | pack of 1 |
| (Male)  | (D175812-22E)       | 10          | 12-22 | 10.00     |
| (Female)  | (D176112-16E)       | 10          | 12-16 | 10.00     |
| <b>Bard Lubri-Sil Comprehensive Care Foley Tray</b>   |                     |             |       | pack of 1 |
| (Male)  | (D17585S12-16)      | 10          | 12-16 | 18.82     |
|   | (D17585M12-16)      | 10          | 12-16 | 18.82     |
|   | (D17585L12-16)      | 10          | 12-16 | 18.82     |
| (Female)  | (D17615S12-14)      | 10          | 12-14 | 18.82     |
|   | * (D17615S16)       | 10          | 16    | 18.82     |
|   | (D17615M12-14)      | 10          | 12-14 | 18.82     |
|   | * (D17615M16)       | 10          | 16    | 18.82     |
|   | (D17615L12-14)      | 10          | 12-14 | 18.82     |
|   | * (D17615L16)       | 10          | 16    | 18.82     |
| <b>Bard Lubri-Sil Hydrogel Coated Silicone</b>  |                     |             |       | pack of 1 |
| (Male)  | (D176816-22E)       | 30          | 16-22 | 9.85      |
| <b>Bard Silicone Elastomer Coated Latex</b>   |                     |             |       | pack of 1 |
| (Male)  | (D1657)             | 10          | 12-22 | 9.57      |
| (Female)  | (D1647)             | 30          | 16    | 9.57      |

# Pre-filled with sterile water

\* to be deleted 1 November 2021

**(B)(ii)(a) Foley Catheter - 2 Way For Long Term Use – Adult – cont.**

Note: Average period of use is 3 to 12 weeks

|   |   | Ballon Size | Gauge | Price     |
|---|---|-------------|-------|-----------|
| # | <b>Bard Silicone Elastomer Coated Latex</b>   |             |       | pack of 1 |
|   | (Male) (D1657AL)  | 10          | 12-22 | 10.34     |
|   | (Female) (D1637AL)  | 10          | 12-22 | 10.34     |
|   | <b>Bard All Silicone</b>  |             |       | pack of 1 |
|   | (Male/Standard) (D1658)   | 10          | 12-22 | 9.88      |
|   | (Male/Standard) (D1668)   | 30          | 16-22 | 9.88      |
|   | (Female) (D1661)  | 10          | 12-16 | 9.47      |
|   | <b>Bard Silastic Silicone Coated</b>  |             |       | pack of 1 |
|   | (336)   | 10          | 12-24 | 9.14      |
|   | (334)   | 30          | 16-28 | 9.72      |
|   | CliniSupplies Ltd   |             |       |           |
|   | <b>Prosys All-Silicone Foley Catheter</b>   |             |       | pack of 1 |
|   | (Male) (open ended) (PCF12M10E-PCF18M10E)   | 10          | 12-18 | 5.79      |
|   | (Male) (PCF12M10-PCF18M10)  | 10          | 12-18 | 5.87      |
|   | (Female) (PCF12F10-PCF18F10)  | 10          | 12-18 | 5.87      |
|   | Coloplast Ltd   |             |       |           |
|   | <b>Folysil All Silicone Catheter</b>  |             |       | pack of 1 |
|   | (Male) (open ended) (AA74)  | 10          | 12-18 | 6.64      |
|   | (Male) (AA71)   | 10          | 12-22 | 6.64      |
|   | (Female) (AA75)   | 10          | 12-16 | 6.64      |
|   | <b>Folysil X-Tra</b> with pre-filled syringe for balloon inflation and supplementary syringe for balloon deflation                      |             |       | pack of 1 |
|   | (Male) (AA8A12-AA8A22)  | 10          | 12-22 | 6.64      |
|   | (Female) (AA8B12-AA8B18)  | 10          | 12-18 | 6.64      |
|   | <b>Folysil X-Tra</b> silicone open ended catheter with pre-filled syringe for balloon inflation and empty syringe for balloon deflation |             |       | pack of 1 |
|   | (Male) (AA8C12-AA8C18)  | 10          | 12-18 | 6.71      |
|   | Covidien UK Commercial Ltd  |             |       |           |
|   | <b>Dover All Silicone</b>   |             |       | pack of 1 |
|   | (Male) (8887705120-8887705203)  | 5-10        | 12-20 | 7.13      |
|   | (8887805227)  | 10          | 22    | 5.94      |

# Pre-filled with sterile water

**(B)(ii)(a) Foley Catheter – 2 Way For Long Term Use – Adult – cont.**

| Note: Average period of use is 3 to 12 weeks  |                           | Balloon Size | Gauge | Price     |
|---|---------------------------|--------------|-------|-----------|
| Flexicare Medical Ltd   |                           |              |       |           |
| <b>FlexiCath All Silicone Catheter</b>  |                           |              |       | pack of 1 |
| (Male)  | (00-411205C – 00-412605C) | 10           | 12-26 | 4.50      |
|   | (00-411630C – 00-412630C) | 30           | 16-26 | 4.50      |
| (Female)  | (00-421205C – 00-421605C) | 10           | 12-16 | 4.50      |
| <b>FlexiCath All Silicone Catheter with pre-filled syringe for balloon inflation and supplementary syringe for balloon deflation</b>                  |                           |              |       | pack of 1 |
| (Standard)  | (01-111205C – 01-112605C) | 10           | 12-26 | 5.50      |
|   | (01-111630C – 01-112630C) | 30           | 16-26 | 5.50      |
| (Female)  | (01-121205C – 01-121605C) | 10           | 12-16 | 5.50      |
| Great Bear Healthcare Ltd   |                           |              |       |           |
| <b>GB All Silicone Foley Catheter with pre-filled syringe of purified water for balloon inflation and supplementary syringe for balloon deflation</b> |                           |              |       | pack of 1 |
| (Standard)  | (4833-0512 - 4833-0524)   | 10           | 12-24 | 6.20      |
| LINC Medical Systems Ltd  |                           |              |       |           |
| <b>LINC All Silicone Catheter, glycerine filled syringe and a syringe of lidocaine/chlorhexidine lubricant gel</b>                                    |                           |              |       | pack of 1 |
| (Tiemann Tip)   | (1011UB12-1011UB18)       | 5            | 12-18 | 8.78      |
| <b>LINC All Silicone Catheter with integral balloon, glycerine filled syringe and a syringe of lidocaine/chlorhexidine lubricant gel</b>              |                           |              |       | pack of 1 |
| (Standard)  | (08501205G)               | 5            | 12    | 5.71      |
|   | (08501405G)               | 5            | 14    | 5.71      |
|   | (08501410-OTG)            | 10           | 14    | 5.65      |
|   | (08501610G)               | 10           | 16    | 5.71      |
|   | (08501810G)               | 10           | 18    | 5.71      |
| (Male)  | (08501430)                | 20           | 14    | 5.71      |
|   | (08501630)                | 30           | 16    | 5.71      |
| (Female)  | (085012051G)              | 5            | 12    | 5.71      |
|   | (085014051G)              | 5            | 14    | 5.71      |
|   | (08501410F-OTG)           | 10           | 14    | 5.65      |
|   | (085016101G)              | 10           | 16    | 5.71      |
| <b>LINC All Silicone Catheter with integral balloon, water filled syringe and a syringe of lidocaine/chlorhexidine lubricant gel</b>                  |                           |              |       | pack of 1 |
| (Standard)  | (08501205W)               | 5            | 12    | 5.71      |
|   | (08501405W)               | 5            | 14    | 5.71      |
|   | (08501610W)               | 10           | 16    | 5.71      |
|   | (08501810W)               | 10           | 18    | 5.71      |
| (Female)  | (085012051W)              | 5            | 12    | 5.71      |
|   | (085014051W)              | 5            | 14    | 5.71      |
|   | (085016101W)              | 10           | 16    | 5.71      |

**(B)(ii)(a) Foley Catheter – 2 Way For Long Term Use – Adult – cont.**

| Note: Average period of use is 3 to 12 weeks  |                               | Balloon Size | Gauge | Price     |
|---|-------------------------------|--------------|-------|-----------|
| <b>Uniflo-Xtra All Silicone Foley Tip Catheter</b> with Unibal integral balloon and extra drainage hole beneath balloon   |                               |              |       | pack of 1 |
| (Standard)  | (1007UB12-1007UB18)           | 5            | 12-18 | 5.89      |
| (Female)  | (1007UBF12-1007UBF18)         | 5            | 12-18 | 5.89      |
| Medasil (Surgical) Ltd  |                               |              |       |           |
| <b>Medasil 2 Way Foley All Silicone Catheter</b>  |                               |              |       | pack of 1 |
| (Male)  | (310-1101-1412-310-1101-1424) | 10           | 12-24 | 5.05      |
|   | (310-1101-1616-310-1101-1624) | 30           | 16-24 | 5.05      |
| (Female)  | (311-1101-2412-311-1101-2424) | 10           | 12-24 | 5.05      |
|   | (311-1101-2616-311-1101-2624) | 30           | 16-24 | 5.05      |
| <b>Urethral Catheter (Silicone Foley Catheter)</b>  |                               |              |       | pack of 1 |
| (Male)  | (310-1101-D412-310-1101-D424) | 10           | 12-24 | 3.35      |
|   | (310-1101-D616-310-1101-D624) | 30           | 16-24 | 3.35      |
| (Female)  | (311-1101-D412-311-1101-D424) | 10           | 12-24 | 3.35      |
|   | (311-1101-D616-311-1101-D624) | 30           | 16-24 | 3.35      |
| Mediplus Ltd  |                               |              |       |           |
| 2 Way Foley All Silicone Catheter with glycerine filled syringe for balloon inflation and empty syringe for balloon deflation   |                               |              |       | pack of 1 |
| (Male)  | (5772-5778)                   | 5-10         | 12-18 | 8.98      |
| (Male open tip)   | (5777, 5779, 5775)            | 5-10         | 14-18 | 8.92      |
| (Female)  | (5782-5786)                   | 5-10         | 12-16 | 8.89      |
| Optimum Medical Solutions Ltd   |                               |              |       |           |
| <b>The Ugobox containing Ugopro, Ugo foley catheter, Optipure, Ugo fix gentle, Ugo fix leg bag straps and:</b>  |                               |              |       | pack of 1 |
| Ugo 1C leg bag short tube and Optilube  |                               |              |       |           |
|   | 3453-3455                     | 10           | 12-16 | 16.22     |
| Ugo 1C leg bag short tube and Optilube Active CHG free  |                               |              |       |           |
|   | 3450-3452                     | 10           | 12-16 | 16.22     |
| Ugo 2C leg bag long tube and Optilube   |                               |              |       |           |
|   | 3459-3461                     | 10           | 12-16 | 16.22     |
| Ugo 2C leg bag long tube and Optilube Active CHG free   |                               |              |       |           |
|   | 3456-3458                     | 10           | 12-16 | 16.22     |
| <b>Ugo Foley Catheter 100% silicone 2 way with integrated 10ml balloon. OptiPure 10ml syringe of sterile water for balloon inflation and 10ml empty syringe for balloon deflation</b> |                               |              |       |           |
|   | (UFC12-UFC18)                 | 10           | 12-18 | 6.00      |
| Spirit Healthcare Ltd   |                               |              |       |           |
| <b>SpiritCare All Silicone Foley Catheter with pre-filled syringe for balloon inflation and supplementary syringe for balloon deflation</b>   |                               |              |       | pack of 1 |
| (Male)  | (SH-CC034-SH-CC037)           | 10           | 12-18 | 4.50      |
| (Female)  | (SH-CC038-SH-CC041)           | 10           | 12-18 | 4.50      |
| Teleflex  |                               |              |       |           |
| <b>Brilliant Plus AquaFlate 2 way All Silicone foley catheter with 10% glycerine solution pre-filled syringe for balloon inflation</b>  |                               |              |       | pack of 1 |
| (Tiemann Tip)   | (850084-000120-000220)        | 10           | 12-22 | 8.69      |
| (Cylindrical tip)   | (850081-000120-000240)        | 10           | 12-24 | 6.17      |
| <b>Rüsch Brilliant AquaFlate All-Silicone</b> with sterile water filled syringe for balloon inflation and empty syringe for balloon deflation   |                               |              |       | pack of 1 |
| (Male)  | (DA310112 – DA310124)         | 10           | 12-24 | 6.11      |
| (Female)  | (DA210112 – DA210124)         | 10           | 12-24 | 6.11      |

**(B)(ii)(b) Foley Catheter - 2 Way For Long Term Use - Paediatric**

Note: Average period of use is 3 to 12 weeks

|   | Balloon Size | Gauge | Price     |
|---|--------------|-------|-----------|
| <b>Rüsch Sympacath AquaFlate Hydrogel Coated Latex</b> with sterile water filled syringe for balloon inflation and empty syringe for balloon deflation.   |              |       | pack of 1 |
| (Male) (DH310112 - DH310124)  | 10           | 12-24 | 6.51      |
| (Female) (DH210112 - DH210124)  | 10           | 12-24 | 6.51      |
| Unomedical Ltd  |              |       |           |
| <b>Careline 100% Silicone Foley Catheter 2 way with pre-filled syringe</b>  |              |       | pack of 1 |
| (Male) (UM41151210PS-UM41152410PS)  | 10           | 12-24 | 5.12      |
| (Female) (UM41171210PS-UM41172410PS)  | 10           | 12-24 | 5.12      |
| (Tiemann) (UM41161210PS-UM41162410PS)   | 10           | 12-24 | 6.66      |
| <b>Bard Biocath Hydrogel Coated</b>   |              |       | pack of 1 |
| (D2263)   | 5            | 8-10  | 8.82      |
| <b>Bard Lubri-Sil Hydrogel Coated Silicone</b>  |              |       | pack of 1 |
| (D1758)   | 5            | 8-10  | 9.85      |
| Coloplast Ltd   |              |       |           |
| <b>Folysil All Silicone Catheter</b>  |              |       | pack of 1 |
| (AA7106, AA7108, AA7110)  | 1.5-3        | 6-10  | 7.23      |
| Covidien UK Commercial Ltd  |              |       |           |
| <b>Dover All Silicone</b>   |              |       | pack of 1 |
| (8887703083-8887703109)   | 3-5          | 8-10  | 7.13      |
| (8887803081)  | 5            | 8     | 6.41      |
| Flexicare Medical Ltd   |              |       |           |
| <b>FlexiCath All Silicone Catheter</b>  |              |       | pack of 1 |
| (00-410603C - 00-411003C)   | 3-5          | 6-10  | 4.50      |
| <b>FlexiCath All Silicone Catheter with pre-filled syringe for balloon inflation and supplementary syringe for balloon deflation</b>  |              |       | pack of 1 |
| (01-110603C - 01-111003C)   | 3-5          | 6-10  | 5.50      |
| LINC Medical Systems Ltd  |              |       |           |
| <b>LINC All Silicone Catheter with integral balloon, glycerine filled syringe and a syringe of lidocaine/chlorhexidine lubricant gel</b>  |              |       | pack of 1 |
| (08500601G)   | 1.5          | 6     | 8.18      |
| (08500803G)   | 3            | 8     | 8.18      |
| (08501003G)   | 3            | 10    | 8.18      |
| <b>LINC All Silicone Catheter with integral balloon, water filled syringe and a syringe of lidocaine/chlorhexidine lubricant gel</b>  |              |       | pack of 1 |
| (08500601W)   | 1.5          | 6     | 8.18      |
| (08500803W)   | 3            | 8     | 8.18      |
| (08501003W)   | 3            | 10    | 8.18      |
| <b>All Silicone Catheter with integral balloon and stylet with glycerine filled syringe for balloon inflation, empty syringe for balloon deflation and a syringe of lidocaine &amp; chlorhexidine for lubrication</b> |              |       | pack of 1 |
| (08500601SG)  | 1.5          | 6     | 8.19      |
| (08500803SG)  | 3            | 8     | 8.19      |
| (08501003SG)  | 3            | 10    | 8.19      |

**(B)(ii)(b) Foley Catheter - 2 Way For Long Term Use – Paediatric – cont.**

Note: Average period of use is 3 to 12 weeks

|  | Balloon Size | Gauge | Price     |
|--|--------------|-------|-----------|
| <b>All Silicone Catheter with integral balloon and stylet with sterile water filled syringe for balloon inflation, empty syringe for balloon deflation and a syringe of lidocaine &amp; chlorhexidine for lubrication</b>  |              |       | pack of 1 |
| (08500601SW)   | 1.5          | 6     | 8.19      |
| (08500803SW)   | 3            | 8     | 8.19      |
| (08501003SW)   | 3            | 10    | 8.19      |
| <b>Uniflo-Xtra All Silicone Foley Tip Catheter with Unibal integral balloon and extra drainage hole beneath balloon, with sterile water filled syringe for balloon inflation, empty syringe for balloon deflation and a syringe of lidocaine &amp; chlorhexidine for lubrication</b> |              |       | pack of 1 |
| (1007UBS08 - 1007UBS10)  | 3            | 8-10  | 8.15      |
| Medasil (Surgical) Ltd   |              |       |           |
| <b>Medasil 2 Way Foley All Silicone Catheter</b>   |              |       | pack of 1 |
| (Paediatric) (312-1101-3208)   | 3            | 8     | 5.05      |
| (312-1101-3310)  | 5            | 10    | 5.05      |
| <b>Urethral Catheter (Silicone Foley Catheter)</b>   |              |       | pack of 1 |
| (Paediatric) (312-1101-D308)   | 3            | 8     | 3.35      |
| (312-1101-D310)  | 5            | 10    | 3.35      |

**(C) Intermittent Catheter with finger grip and lid**

|  | Balloon Size | Gauge | Price               |
|--|--------------|-------|---------------------|
| Hunter Urology Ltd<br><b>Emteva Pure</b> | 46F12-30-UK  | 12    | pack of 30<br>42.78 |

**(D) Intermittent Catheter with introducer tip and urine bag**

|  | Balloon Size | Gauge | Price      |
|--|--------------|-------|------------|
| <b>Hollister Advance Plus</b>                                  |              |       | pack of 25 |
| (Nélaton) (94064-94184)  |              | 6-18  | 73.33      |
| (Tiemann Tip) (95124-95164)                                    |              | 12-16 | 73.33      |
| <b>Hollister Infyna Plus Hydrophilic Intermittent catheter</b> |              |       | pack of 30 |
| (Female) (86081-86141)   |              | 8-14  | 69.95 ↑    |
| <b>Hollister InstantCath Protect</b>                           |              |       | pack of 25 |
| (Nélaton) (9691)   |              | 8     | 73.46      |
| (9694)   |              | 14    | 73.46      |
| (9696)   |              | 18    | 73.46      |
| (Tiemann Tip) (9697-9699)                                      |              | 12-16 | 73.42      |
| Pioneer Medical Europe Ltd                                     |              |       | pack of 25 |
| <b>mtg EZ-Advancer</b>   |              |       |            |
| (Male Soft) (30212-30214)                                      |              | 12-14 | 71.80      |
| (Male Firm) (30112-30116)                                      |              | 12-16 | 71.80      |
| <b>mtg EZ-Advancer Mini-Pak</b>                                |              |       |            |
| (Male) (40112-40116)   |              | 12-16 | 71.80      |
| <b>mtg Cath-Lean</b>   |              |       |            |
| (Female) (40412-40414)   |              | 12-14 | 71.80      |
| <b>mtg Kiddie-Kath Paediatric</b>                              |              |       |            |
| (Paediatric) (30108)   |              | 8     | 71.80      |
| <b>mtg EZ-Advancer Adolescent</b>                              |              |       |            |
| (Paediatric) (30110)   |              | 10    | 71.80      |

**(E) Intermittent Catheter with lubricant, insertion aid and urine bag**

|   |                        | Balloon Size | Gauge | Price      |
|---|------------------------|--------------|-------|------------|
| B.Braun Medical Ltd                                       |                        |              |       |            |
| <b>Actreen Hi-Lite Set</b>                                |                        |              |       | pack of 30 |
| (Nelaton)   | (242210E-242218E)      |              | 10-18 | 76.86      |
| (Tiemann Tip)   | (242110E-242118E)      |              | 10-18 | 76.86      |
| B.Braun Medical Ltd                                       |                        |              |       |            |
| <b>Actreen Mini Set</b>                                   |                        |              |       | pack of 30 |
| (Female)  | (239010E-239014E)      |              | 10-14 | 72.33      |
| Manfred Sauer UK Ltd                                      |                        |              |       |            |
| <b>iQ Cath Set</b>  |                        |              |       | pack of 30 |
| (Male Soft Tip)   | (IQ3604.10-IQ3604.18)  |              | 10-18 | 78.42      |
| Pioneer Medical Europe Ltd                                |                        |              |       |            |
| <b>mtg EZ-Gripper Intermittent closed system catheter</b> |                        |              |       | pack of 50 |
|   | (50112-50116)          |              | 12-16 | 154.90     |
| Teleflex  |                        |              |       |            |
| <b>Liquick Plus</b>                                       |                        |              |       | pack of 30 |
| (Female)  | (620210)               |              | 10    | 69.57      |
| (Male)  | (620012-620016)        |              | 12-16 | 69.57      |
| <b>Liquick X-treme Plus</b>                               |                        |              |       | pack of 30 |
| (Female)  | (852822-000120-000140) |              | 12-14 | 88.50      |
| (Male)  | (852842-000120-000160) |              | 12-16 | 88.50      |
| <b>Rusch Flocath Intro Gel</b>                            |                        |              |       | pack of 30 |
| (Female)  | (851621)               |              | 8-16  | 70.37      |
| (Paediatric)  | (851631)               |              | 8-10  | 70.37      |
| (Male)  | (851641)               |              | 8-18  | 70.37      |
| (Male Tiemann Tip)  | (851643)               |              | 10-18 | 70.37      |

**(F) Compact Intermittent Catheter with lubricant and urine bag**

|                               |         |  |       |            |
|-------------------------------|---------|--|-------|------------|
| Coloplast Ltd                 |         |  |       |            |
| <b>SpeediCath Compact Set</b> |         |  |       | pack of 20 |
| (Female)                      | (28520) |  | 10    | 54.87      |
|                               | (28522) |  | 12    | 54.86      |
|                               | (28524) |  | 14    | 54.87      |
| (Male)                        | (28422) |  | 12/18 | 54.86      |

**(G) Intermittent Catheter with integrated hydrating vapour strip, introducer tip, non return valve and urine bag**

|                                     |                   |  |       |            |
|-------------------------------------|-------------------|--|-------|------------|
| Hollister Ltd                       |                   |  |       |            |
| <b>Hollister VaPro Plus</b>         |                   |  |       | pack of 30 |
| (Male 40cm)                         | (74124-74144)     |  | 12-14 | 96.30      |
| (Female 20cm)                       | (74122-74142)     |  | 12-14 | 96.30      |
| <b>Hollister VaPro Plus F-Style</b> |                   |  |       | pack of 30 |
| (Male 40cm)                         | (7700124-7700144) |  | 12-14 | 94.23      |
| <b>Hollister VaPro Plus Pocket</b>  |                   |  |       | pack of 30 |
| (Male 40cm)                         | (71084-71164)     |  | 8-16  | 94.80      |
| (Female 20cm)                       | (71082-71142)     |  | 8-14  | 94.80      |



**(H) Silver Female Reusable Catheter**

|  | Balloon Size | Gauge | Price              |
|--|--------------|-------|--------------------|
| For Long Term Use, Reusable For Intermittent Self Catheterisation<br>S G & P Payne |              |       |                    |
| <b>Incontiaid Silver Female Catheter</b><br>(1315-1318)                            |              | 8-14  | pack of 1<br>42.95 |

**(I) Stainless Steel Catheter**

|   | Balloon Size  | Gauge | Price     |
|---|---|-------|-----------|
| For Long Term Use, Reusable For Intermittent Self Catheterisation<br>Malvern Medical Developments Ltd |   |       |           |
| <b>Biscath System</b><br>(Female)   | Comprises of 6 stainless steel catheters with case, brushes, scraper and hard and soft carrying case. |       | pack of 6 |
|   | (BISC001)   | 8     | 248.75    |
|   | (BISC002)   | 10    | 248.75    |
|   | (BISC003)   | 12    | 248.75    |
|   | (BISC004)   | 14    | 248.75    |

**(J) Urinary Suprapubic Catheters**

|   | Balloon Size            | Gauge    | Price     |
|---|-------------------------|----------|-----------|
| LINC Medical Systems Ltd  |                         |          |           |
| <b>LINC All Silicone Open Tipped Suprapubic Catheter with integral balloon, glycerine filled syringe and a syringe of lidocaine/chlorhexidine lubricant gel</b> |                         |          | pack of 1 |
| (Paediatric)  | (08470803G-08471003G)   | 3 8 -10  | 11.22     |
| (Standard)  | (08451205G-08451405G)   | 5 12-14  | 11.22     |
|   | (08451610G-08452410G)   | 10 16-24 | 11.22     |
| (Female)  | (08471205G-08471405G)   | 5 12-14  | 11.22     |
|   | (08471610G-08472010G)   | 10 16-20 | 11.22     |
| <b>LINC All Silicone Open Tipped Suprapubic Catheter with integral balloon, water filled syringe and a syringe of lidocaine/chlorhexidine lubricant gel</b>     |                         |          | pack of 1 |
| (Paediatric)  | (08470803W-08471003W)   | 3 8 -10  | 11.22     |
| (Standard)  | (08451205W-08451405W)   | 5 12-14  | 11.22     |
|   | (08451610W-08452410W)   | 10 16-24 | 11.22     |
| (Female)  | (08471205W-08471405W)   | 5 12-14  | 11.22     |
|   | (08471610W-08472010W)   | 10 16-20 | 11.22     |
| <b>All Silicone foley catheter with guidewire hole and sterile water filled syringe</b>   |                         |          | pack of 1 |
| (Standard)  | (084612051W-084614051W) | 5 12-14  | 11.27     |
|   | (084616101W-084620101W) | 10 16-20 | 11.27     |
| <b>All Silicone foley catheter with guidewire hole and glycerine filled syringe</b>   |                         |          | pack of 1 |
| (Standard)  | (084612051G-084614051G) | 5 12-14  | 11.27     |
|   | (084616101G-084620101G) | 10 16-20 | 11.27     |

**(J) Urinary Suprapubic Catheters – cont.**

|   |                           | Balloon Size | Gauge | Price     |
|---|---------------------------|--------------|-------|-----------|
| <b>OptiTip All Silicone Open Tip Catheter with UniBal integral balloon and extra drainage hole beneath the balloon, with 5% glycerine in sterile water filled syringe for balloon inflation, empty syringe for balloon deflation and a syringe of lidocaine &amp; chlorhexidine for lubrication</b> |                           |              |       | pack of 1 |
| (Paediatric)  | (1007UBS08OT-1007UBS10OT) | 3            | 8-10  | 11.22     |
| (Standard)  | (1007UB12OT-1007UB14OT)   | 5            | 12-14 | 11.22     |
|   | (1007UB16OT-1007UB18OT)   | 5-10         | 16-18 | 11.22     |
| (Female)  | (1007UBF12OT-1007UBF14OT) | 5            | 12-14 | 11.22     |
|   | (1007UBF16OT-1007UBF18OT) | 5-10         | 16-18 | 11.22     |

Part III (d)

Dressings / Wound Management Dressings

Note for all dressings: The exact number of pieces, ordered by the prescriber is to be dispensed.

**Absorbent Cellulose Dressing with Fluid Repellent Backing**

Indications: Primary or secondary dressing for medium to heavily exuding wounds.

|                                |                 |       |            |
|--------------------------------|-----------------|-------|------------|
| <b>365 Super Absorbent</b>     | 10cm x 10cm     | 0.45  |            |
|                                | 10cm x 20cm     | 0.88  |            |
|                                | 20cm x 20cm     | 1.30  |            |
|                                | 20cm x 30cm     | 2.30  |            |
| <b>CelluDress</b>              | 10cm x 10cm     | 0.19  |            |
|                                | 10cm x 15cm     | 0.20  |            |
|                                | 10cm x 20cm     | 0.22  |            |
|                                | 15cm x 20cm     | 0.30  |            |
|                                | 20cm x 25cm     | 0.40  |            |
|                                | 20cm x 30cm     | 0.85  |            |
| <b>C-Sorb Silicone</b>         | 7.5cm x 7.5cm   | 1.48  | <b>NEW</b> |
|                                | 10cm x 10cm     | 1.98  | <b>NEW</b> |
|                                | 10cm x 20cm     | 3.48  | <b>NEW</b> |
|                                | 12.5cm x 12.5cm | 2.95  | <b>NEW</b> |
|                                | 20cm x 20cm     | 6.35  | <b>NEW</b> |
|                                | 20cm x 30cm     | 9.98  | <b>NEW</b> |
| <b>Eclipse</b>                 | 10cm x 10cm     | 0.76  | ↑          |
|                                | 10cm x 20cm     | 1.00  | ↑          |
|                                | 15cm x 15cm     | 1.01  | ↑          |
|                                | 20cm x 20cm     | 1.54  | ↑          |
|                                | 20cm x 30cm     | 2.24  | ↑          |
|                                | 60cm x 40cm     | 8.53  | ↑          |
| <b>Eclipse Adherent</b>        | 10cm x 10cm     | 3.13  | ↑          |
|                                | 10cm x 20cm     | 3.93  | ↑          |
|                                | 15cm x 15cm     | 5.22  | ↑          |
|                                | 20cm x 30cm     | 10.46 | ↑          |
| <b>Eclipse Adherent Sacral</b> | 17cm x 19cm     | 3.94  | ↑          |
|                                | 22cm x 23cm     | 6.52  | ↑          |
| <b>Eclipse Boot</b>            | 55cm x 47cm     | 10.36 | ↑          |
|                                | 60cm x 70cm     | 14.42 | ↑          |
|                                | 71cm x 80cm     | 22.07 | ↑          |
| <b>Eclipse Border</b>          | 15cm x 15cm     | 5.18  | ↑          |
|                                | 20cm x 30cm     | 8.16  | ↑          |
| <b>Eclipse Border Oval</b>     | 10cm x 20cm     | 4.55  | ↑          |
|                                | 15cm x 20cm     | 6.02  | ↑          |
|                                | 20cm x 30cm     | 8.16  | ↑          |

## Part III (d) Appliances – Dressings / Wound Management Dressings

---

|   |             |      |            |
|---|-------------|------|------------|
| <b>Eclipse Contour</b>                  | 30cm x 51cm | 8.57 | ↑          |
| <b>Eclipse Foot</b>                     | 33cm x 48cm | 8.27 | ↑          |
| <b>Exu-Dry</b>                          | 10cm x 15cm | 1.20 | ↑          |
|   | 15cm x 23cm | 2.45 | ↑          |
|   | 23cm x 38cm | 5.69 | ↑          |
| <b>Mesorb</b>                           | 10cm x 10cm | 0.65 |            |
|   | 10cm x 15cm | 0.85 |            |
|   | 10cm x 20cm | 1.05 |            |
|   | 15cm x 20cm | 1.49 |            |
|   | 20cm x 25cm | 2.35 |            |
|   | 20cm x 30cm | 2.67 |            |
| <b>Sorbex</b>                           | 10cm x 10cm | 0.60 | <b>NEW</b> |
|   | 15cm x 15cm | 0.90 | <b>NEW</b> |
|   | 20cm x 40cm | 2.20 | <b>NEW</b> |
| <b>Spirit Non-Woven Absorbent Pad</b>   | 10cm x 10cm | 0.50 |            |
|   | 10cm x 20cm | 0.70 |            |
|   | 15cm x 20cm | 0.32 |            |
|   | 20cm x 25cm | 1.00 |            |
|   | 20cm x 40cm | 1.60 |            |
| <b>Spirit Super Absorbent</b>           | 10cm x 10cm | 0.65 |            |
|   | 10cm x 20cm | 0.92 |            |
|   | 15cm x 20cm | 1.10 |            |
|   | 20cm x 30cm | 1.55 |            |
| <b>Zetuvit</b>                          | 10cm x 10cm | 0.23 |            |
|   | 10cm x 20cm | 0.26 |            |
|   | 20cm x 20cm | 0.41 |            |
|   | 20cm x 40cm | 1.16 |            |
| <b>Zetuvit E (Non-Sterile)</b>          | 10cm x 10cm | 0.07 |            |
|   | 10cm x 20cm | 0.09 |            |
|   | 20cm x 20cm | 0.15 |            |
|   | 20cm x 40cm | 0.29 |            |
| <b>Absorbent Dressing Pads, Sterile</b> |             |      |            |
| <b>Drisorb Dressing Pad</b>             | 10cm x 20cm | 0.17 |            |
| <b>PremierPad</b>                       | 10cm x 20cm | 0.18 |            |
|   | 20cm x 20cm | 0.25 |            |
| <b>Xupad Dressing Pad</b>               | 10cm x 12cm | 0.15 |            |
|   | 10cm x 20cm | 0.17 |            |
|   | 20cm x 20cm | 0.28 |            |
|   | 20cm x 40cm | 0.40 |            |

## Part III (d) Appliances – Dressings / Wound Management Dressings

---

### Absorbent, Perforated Dressing with Adhesive Border

#### 365 Non Woven Island

|             |  |      |
|-------------|--|------|
| 5cm x 7.2cm | (wound contact pad 2.3cm x 3.9cm + border 1.35 1.65cm) | 0.03 |
| 6cm x 8cm   | (wound contact pad 3cm x 4cm + border 1.5-2cm)         | 0.04 |
| 8cm x 10cm  | (wound contact pad 4cm x 5cm + border 2-2.5cm)         | 0.06 |
| 8cm x 15cm  | (wound contact pad 4cm x 10.1cm + border 2-2.45cm)     | 0.07 |
| 10cm x 10cm | (wound contact pad 5cm x 5cm + border 2.5cm)           | 0.06 |
| 10cm x 15cm | (wound contact pad 5cm x 10.5cm + border 2.5 2.25cm)   | 0.09 |
| 10cm x 20cm | (wound contact pad 5.2cm x 15.5cm + border 2.4-2.25cm) | 0.12 |
| 10cm x 25cm | (wound contact pad 5.5cm x 20cm + border 2.5cm)        | 0.14 |

#### Adpore

|             |   |      |
|-------------|---|------|
| 7cm x 8cm   | (wound contact pad 4cm x 5cm + border 1.5cm)            | 0.08 |
| 10cm x 10cm | (wound contact pad 4.5cm x 5cm + border 2.5cm - 2.75cm) | 0.10 |
| 10cm x 15cm | (wound contact pad 5cm x 10cm + border 2.5cm)           | 0.16 |
| 10cm x 20cm | (wound contact pad 5cm x 15cm + border 2.5cm)           | 0.30 |
| 10cm x 25cm | (wound contact pad 5cm x 20cm + border 2.5cm)           | 0.34 |
| 10cm x 30cm | (wound contact pad 5cm x 25cm + border 2.5cm)           | 0.42 |
| 10cm x 35cm | (wound contact pad 5cm x 30cm + border 2.5cm)           | 0.50 |

#### Advapore

|             |   |      |
|-------------|---|------|
| 5cm x 7.2cm | (wound contact pad 2.5cm x 3cm + border 1.25-2.1cm) | 0.04 |
| 6cm x 7cm   | (wound contact pad 3cm x 3cm + border 1.5-2cm)      | 0.05 |
| 8cm x 10cm  | (wound contact pad 4cm x 5cm + border 2-2.5cm)      | 0.10 |
| 8cm x 15cm  | (wound contact pad 4cm x 10cm + border 2-2.5cm)     | 0.14 |
| 9cm x 15cm  | (wound contact pad 4cm x 10cm + border 2.5cm)       | 0.15 |
| 9cm x 20cm  | (wound contact pad 4cm x 15cm + border 2.5cm)       | 0.20 |
| 10cm x 10cm | (wound contact pad 5cm x 5cm + border 2.5cm)        | 0.09 |
| 10cm x 15cm | (wound contact pad 5cm x 15cm + border 2.5cm)       | 0.15 |
| 10cm x 20cm | (wound contact pad 5cm x 15cm + border 2.5cm)       | 0.20 |
| 10cm x 25cm | (wound contact pad 5cm x 20cm + border 2.5cm)       | 0.25 |

#### Cosmopor

|             |  |      |
|-------------|--|------|
| 5cm x 7.2cm | (wound contact pad 2.5cm x 4cm + border 1.25 - 1.6cm)    | 0.10 |
| 8cm x 10cm  | (wound contact pad 3.8cm x 6.5cm + border 1.75 - 2.1cm)  | 0.20 |
| 8cm x 15cm  | (wound contact pad 3.8cm x 11cm + border 2.0 - 2.1cm)    | 0.33 |
| 10cm x 20cm | (wound contact pad 5.5cm x 16cm + border 2.0cm - 2.25cm) | 0.41 |
| 10cm x 25cm | (wound contact pad 5.5cm x 20.5cm + border 2.25cm)       | 0.56 |
| 10cm x 35cm | (wound contact pad 5.5cm x 30.5cm + border 2.25cm)       | 0.71 |

#### Cosmopor E

|             |  |      |
|-------------|--|------|
| 5cm x 7.2cm | (wound contact pad 2.5cm x 4cm + border 1.25 - 1.6cm)    | 0.09 |
| 8cm x 10cm  | (wound contact pad 3.8cm x 6.5cm + border 1.75 - 2.1cm)  | 0.18 |
| 8cm x 15cm  | (wound contact pad 3.8cm x 11cm + border 2.0 - 2.1cm)    | 0.29 |
| 10cm x 20cm | (wound contact pad 5.5cm x 16cm + border 2.0cm - 2.25cm) | 0.48 |
| 10cm x 25cm | (wound contact pad 5.5cm x 20.5cm + border 2.25cm)       | 0.59 |
| 10cm x 35cm | (wound contact pad 5.5cm x 30.5cm + border 2.25cm)       | 0.82 |

## Part III (d) Appliances – Dressings / Wound Management Dressings

---

### Cutiplast Steril

|             |   |      |
|-------------|---|------|
| 5cm x 7.2cm | (wound contact pad 2.5cm x 4cm + border 1.25 - 1.6cm) | 0.06 |
| 8cm x 10cm  | (wound contact pad 6cm x 4cm + border 2cm)            | 0.11 |
| 8cm x 15cm  | (wound contact pad 11cm x 4cm + border 2cm)           | 0.26 |
| 10cm x 20cm | (wound contact pad 16cm x 5cm + border 2.0 - 2.5cm)   | 0.32 |
| 10cm x 25cm | (wound contact pad 20cm x 5cm + border 2.5cm)         | 0.33 |
| 10cm x 30cm | (wound contact pad 25cm x 5cm + border 2.5cm)         | 0.45 |

### Leukomed

|             |  |      |
|-------------|--|------|
| 7.2cm x 5cm | (wound contact pad 2.8cm x 3.8cm + border 1.1-1.7cm)   | 0.09 |
| 8cm x 10cm  | (wound contact pad 4.5cm x 6.1cm + border 1.75-1.95cm) | 0.19 |
| 8cm x 15cm  | (wound contact pad 4cm x 11.6cm + border 1.7-2cm)      | 0.34 |
| 10cm x 20cm | (wound contact pad 5.2cm x 16.1cm + border 1.95-2.4cm) | 0.45 |
| 10cm x 25cm | (wound contact pad 5cm x 20cm + border 2.5cm)          | 0.51 |
| 10cm x 30cm | wound contact pad 5.4cm x 25cm + border 2.3-2.5cm)     | 0.66 |
| 10cm x 35cm | (wound contact pad 5cm x 30cm + border 2.5cm)          | 0.76 |

### Medipore + Pads

|             |   |      |
|-------------|---|------|
| 5cm x 7.2cm | (wound contact pad 2.8cm x 3.8cm + border 1 - 2 cm) | 0.08 |
| 10cm x 10cm | (wound contact pad 5cm x 5.5cm + border 2 - 2.5cm)  | 0.16 |
| 10cm x 15cm | (wound contact pad 5cm x 10.5cm + border 2 - 2.5cm) | 0.25 |
| 10cm x 20cm | (wound contact pad 5cm x 15.5cm + border 2 - 2.5cm) | 0.38 |
| 10cm x 25cm | (wound contact pad 5cm x 20.5cm + border 2 - 2.5cm) | 0.47 |
| 10cm x 35cm | (wound contact pad 5cm x 30.4cm + border 2 - 2.5cm) | 0.65 |

### Medisafe

|            |   |      |
|------------|---|------|
| 6cm x 8cm  | (wound contact pad 3cm x 5cm + border 1.5cm)      | 0.08 |
| 8cm x 10cm | (wound contact pad 4cm x 6cm + border 2cm)        | 0.13 |
| 8cm x 12cm | (wound contact pad 4cm x 8cm + border 2cm)        | 0.23 |
| 9cm x 15cm | (wound contact pad 4cm x 10cm + border 2.5cm)     | 0.29 |
| 9cm x 20cm | (wound contact pad 4cm x 14cm + border 2.5 - 3cm) | 0.34 |
| 9cm x 25cm | (wound contact pad 4cm x 19cm + border 2.5 - 3cm) | 0.36 |

### Medline Bordered Gauze

|             |  |      |
|-------------|--|------|
| 5cm x 7cm   | (wound contact pad 3cm x 4cm + border 1-1.5cm)       | 0.07 |
| 6.5cm x 8cm | (wound contact pad 5cm x 3.5cm + border 0.75-2.25cm) | 0.11 |
| 10cm x 10cm | (wound contact pad 6.5cm x 6.5cm + border 1.75cm)    | 0.15 |
| 10cm x 15cm | (wound contact pad 5cm x 10cm + border 2.5cm)        | 0.23 |
| 10cm x 20cm | (wound contact pad 5cm x 15cm + border 2.5cm)        | 0.35 |
| 10cm x 25cm | (wound contact pad 5cm x 20.5cm + border 2.5-2.25cm) | 0.45 |
| 10cm x 35cm | (wound contact pad 5cm x 30.5cm + border 2.5-2.25cm) | 0.57 |

### Mepore

|             |   |      |
|-------------|---|------|
| 7cm x 8cm   | (wound contact pad 3cm x 4cm + border 1-1.5cm)      | 0.11 |
| 9cm x 20cm  | (wound contact pad 5cm x 15cm + border 2.0 - 2.5cm) | 0.46 |
| 9cm x 25cm  | (wound contact pad 5cm x 20cm + border 2.0 - 2.5cm) | 0.63 |
| 9cm x 30cm  | (wound contact pad 5cm x 25cm + border 2.0 - 2.5cm) | 0.72 |
| 9cm x 35cm  | (wound contact pad 5cm x 30cm + border 2.0 - 2.5cm) | 0.79 |
| 10cm x 11cm | (wound contact pad 6cm x 6cm + border 2cm - 2.5cm)  | 0.22 |
| 11cm x 15cm | (wound contact pad 6cm x 10cm + border 2.5cm)       | 0.37 |

## Part III (d) Appliances – Dressings / Wound Management Dressings

### Nupore

|             |  |      |
|-------------|--|------|
| 6cm x 7cm   | (wound contact pad 3cm x 4cm + border 1.5cm)   | 0.06 |
| 7cm x 8cm   | (wound contact pad 4cm x 5cm + border 1.5cm))  | 0.08 |
| 10cm x 11cm | (wound contact pad 5cm x 5cm + border 2.5-3cm) | 0.14 |

### PremierPore

|             |  |      |
|-------------|--|------|
| 5cm x 7cm   | (wound contact pad 3cm x 4cm + border 1cm-1.5cm) | 0.05 |
| 10cm x 10cm | (wound contact pad 6cm x 5cm + border 2cm-2.5cm) | 0.12 |
| 10cm x 15cm | (wound contact pad 5cm x 10cm + border 2.5cm)    | 0.18 |
| 10cm x 20cm | (wound contact pad 5cm x 15cm + border 2.5cm)    | 0.32 |
| 10cm x 25cm | (wound contact pad 5cm x 20cm + border 2.5cm)    | 0.36 |
| 10cm x 30cm | (wound contact pad 5cm x 25cm + border 2.5cm)    | 0.45 |
| 10cm x 35cm | wound contact pad 5cm x 30cm + border 2.5cm)     | 0.52 |

### Primapore

|             |  |        |
|-------------|--|--------|
| 6cm x 8.3cm | (wound contact pad 3.4cm x 5.7cm + border 1.3cm)       | 0.19   |
| 8cm x 10cm  | (wound contact pad 4.5cm x 5cm + border 1.75 - 2.5cm)  | 0.20   |
| 8cm x 15cm  | (wound contact pad 4.5cm x 10cm + border 1.75 - 2.5cm) | 0.35   |
| 10cm x 20cm | (wound contact pad 5cm x 14cm + border 2.5 - 3cm)      | 0.46   |
| 10cm x 25cm | (wound contact pad 5cm x 18cm + border 2.5 - 3.5cm)    | 0.53 ↑ |
| 10cm x 30cm | (wound contact pad 5cm x 23cm + border 2.5 - 3.5cm)    | 0.67 ↑ |
| 10cm x 35cm | (wound contact pad 5.1cm x 28cm + border 2.45-3.5cm)   | 1.03 ↑ |

### Softpore

|             |  |      |
|-------------|--|------|
| 6cm x 7cm   | (wound contact pad 3cm x 4cm + border 1.5cm)   | 0.06 |
| 10cm x 10cm | (wound contact pad 5cm x 6cm + border 2-2.5cm) | 0.13 |
| 10cm x 15cm | (wound contact pad 5cm x 10cm + border 2.5cm)  | 0.20 |
| 10cm x 20cm | (wound contact pad 5cm x 15cm + border 2.5cm)  | 0.35 |
| 10cm x 25cm | (wound contact pad 5cm x 20cm + border 2.5cm)  | 0.40 |
| 10cm x 30cm | (wound contact pad 5cm x 25cm + border 2.5cm)  | 0.49 |
| 10cm x 35cm | (wound contact pad 5cm x 30cm + border 2.5cm)  | 0.58 |

### Telfa AMD Island

|               |   |      |
|---------------|---|------|
| 10cm x 12.5cm | (wound contact pad 5cm x 8cm + border 2.5-2.25cm)     | 0.59 |
| 10cm x 20cm   | (wound contact pad 5cm x 15.5cm + border 2.5-2.25cm)  | 0.86 |
| 10cm x 25.5cm | (wound contact pad 5cm x 20.5cm + border 2.5cm)       | 0.98 |
| 10cm x 35cm   | (wound contact pad 5cm x 30.5cm + border 2.25-2.5 cm) | 1.22 |

## Part III (d) Appliances – Dressings / Wound Management Dressings

### Absorbent, Perforated Plastic Film Faced, Dressing

Where not specified by the prescriber, the 5cm size is to be supplied.

Where the brand is not specified by the prescriber, for the sizes listed below, the Basic Price must not exceed:

|   |              |       |   |
|---|--------------|-------|---|
|   | 5cm x 5cm    | 0.03  |   |
|   | 10cm x 10cm  | 0.09  |   |
|   | 20cm x 10cm  | 0.17  |   |
| <b>365 Non Adherent</b>   | 5cm x 5cm    | 0.03  |   |
|   | 10cm x 10cm  | 0.09  |   |
|   | 10cm x 20cm  | 0.17  |   |
|   | 20cm x 30cm  | 0.38  |   |
| <b>Absopad</b>  | 5cm x 5cm    | 0.07  |   |
|   | 10cm x 10cm  | 0.13  |   |
|   | 20cm x 10cm  | 0.28  |   |
| <b>Askina Pad</b>   | 10cm x 10cm  | 0.22  |   |
| <b>Melolin</b>  | 5cm x 5cm    | 0.18  |   |
|   | 10cm x 10cm  | 0.29  |   |
|   | 20cm x 10cm  | 0.57  | ↑ |
| <b>Skintact</b>   | 5cm x 5cm    | 0.10  |   |
|   | 10cm x 10cm  | 0.17  |   |
|   | 20cm x 10cm  | 0.34  |   |
| <b>Solvaline N</b>  | 5cm x 5cm    | 0.11  |   |
|   | 10cm x 10cm  | 0.19  |   |
|   | 10cm x 20cm  | 0.38  |   |
| <b>Telfa (Non adherent dressing pad)</b>                                  | 7.5cm x 5cm  | 0.12  |   |
|   | 10cm x 7.5cm | 0.16  |   |
|   | 15cm x 7.5cm | 0.18  |   |
|   | 20cm x 7.5cm | 0.29  |   |
| <b>Telfa AMD</b>  | 7.5cm x 10cm | 0.18  |   |
|   | 7.5cm x 20cm | 0.28  |   |
| <b>Gauze Dressings (Impregnated)</b>                                      |              |       |   |
| <b>Actilite</b>   | 5cm x 5cm    | 0.72  | ↑ |
| (Impregnated with manuka honey)   | 10cm x 10cm  | 1.25  | ↑ |
| <i>Where not specified by the prescriber, the 5cm size to be supplied</i> | 10cm x 20cm  | 2.41  | ↑ |
|   | 20cm x 30cm  | 6.78  | ↑ |
|   | 30cm x 30cm  | 11.22 | ↑ |
|   | 30cm x 60cm  | 19.39 | ↑ |
| <b>Activon Tulle</b>  | 5cm x 5cm    | 2.28  | ↑ |
| (Impregnated with manuka honey)   | 10cm x 10cm  | 3.76  | ↑ |
| <i>Where not specified by the prescriber, the 5cm size to be supplied</i> |              |       |   |
| <b>Chlorhexidine Gauze Dressing BP</b>                                    | 5cm x 5cm    | 0.31  |   |
| (Syn: Chlorhexidine Tulle Gras)   | 10cm x 10cm  | 0.65  |   |
| <i>Where not specified by the prescriber, the 5cm size to be supplied</i> |              |       |   |
| <b>Cutimed Sorbact Dressing Pad</b>                                       | 7cm x 9cm    | 3.70  |   |
| (Impregnated with dialkylcarbonyl chloride)                               | 10cm x 10cm  | 5.79  |   |
|   | 10cm x 20cm  | 9.03  |   |



## Part III (d) Appliances – Dressings / Wound Management Dressings

|  |               |      |
|--|---------------|------|
| <b>Cutimed Sorbact Swab</b>  | 4cm x 6cm     | 1.74 |
| (Impregnated with dialkylcarbamoyl chloride)                                     | 7cm x 9cm     | 2.89 |
| <b>* ManukaDress-IG</b>  | 5cm x 5cm     | 1.70 |
| (Impregnated with manuka honey)  | 10cm x 10cm   | 2.80 |
| <i>Where not specified by the prescriber, the 5cm size to be supplied</i>        |               |      |
| <b>* ManukaDress-IG MAX</b>  | 5cm x 5cm     | 1.85 |
| (Impregnated with manuka honey)  | 10cm x 10cm   | 3.25 |
| <i>Where not specified by the prescriber, the 5cm size to be supplied</i>        |               |      |
| <b>Medihoney Tulle Dressing</b>  | 5cm x 5cm     | 1.73 |
| (Impregnated with Medihoney medical honey)                                       | 10cm x 10cm   | 3.03 |
| <b>Melladerm Plus Tulle</b>  | 10cm x 10cm   | 2.10 |
| (Impregnated with melladerm plus honey gel)                                      |               |      |
| <b>Paraffin Gauze Dressing BP Sterile</b> (Syn: Tulle Gras)                      |               |      |
| Normal Loading - 175-220g/m <sup>2</sup>   |               |      |
| <b>Cuticell Classic</b>  | 10cm x 10cm   | 0.30 |
| <b>Jelonet</b>   | 10cm x 10cm   | 0.44 |
| <b>Neotulle</b>  | 10cm x 10cm   | 0.29 |
| <b>Revamil</b>   | 5cm x 5cm     | 1.75 |
| (Impregnated with Revamil honey)   | 8cm x 8cm     | 3.33 |
|  | 10cm x 10cm   | 2.90 |
| <i>Where not specified by the prescriber, the 5cm size to be supplied</i>        | 10cm x 20cm   | 5.30 |
| <b>Knitted Polyester Primary Dressing Impregnated with Neutral Triglycerides</b> |               |      |
| <b>Atrauman</b>  | 5cm x 5cm     | 0.35 |
|  | 7.5cm x 10cm  | 0.36 |
|  | 10cm x 20cm   | 0.83 |
|  | 20cm x 30cm   | 2.28 |
| <b>Knitted Viscose Primary Dressing BP Type 1</b>                                |               |      |
| (Sterile Knitted Viscose Dressing)   |               |      |
| <b>N-A Dressing</b>  | 9.5cm x 9.5cm | 0.35 |
|  | 19cm x 9.5cm  | 0.67 |
| <b>N-A Ultra</b>   | 9.5cm x 9.5cm | 0.34 |
|  | 19cm x 9.5cm  | 0.64 |
| <b>Tricotex</b>  | 9.5cm x 9.5cm | 0.36 |

\* to be deleted 1 November 2021

## Part III (d) Appliances – Dressings / Wound Management Dressings

|   |                |      |
|---|----------------|------|
| <b>Multiple Pack Dressing No. 1</b>               |                | 4.58 |
| Carton containing:                                |                |      |
| Absorbent Cotton BP 1988 (interleaved)            | 25g            |      |
| Absorbent Cotton Gauze. Type 13 Light BP, sterile | 90 cm x 1 m    |      |
| Open-Wove Bandages BP 1988 (banded)               | 3 x 5 cm x 5 m |      |

**Perforated Film Absorbent Dressing BP** - See Absorbent, Perforated Plastic Film Faced, Dressing (P.F.A. Dressing).

### Povidone–Iodine Fabric Dressing, Sterile

Specification 43

Where not specified by the prescriber, the 5cm size is to be supplied.

|                  |               |      |
|------------------|---------------|------|
| <b>Inadine</b>   | 5cm x 5cm     | 0.33 |
|                  | 9.5cm x 9.5cm | 0.49 |
| <b>Povitulle</b> | 5cm x 5cm     | 0.28 |
|                  | 9.5cm x 9.5cm | 0.42 |

### Sterile Dressing Packs

The exact number of pieces ordered by the prescriber is to be dispensed.

#### Drug Tariff Specification Sterile Dressing Packs

**Sterile Dressing Pack** Specification 10 0.57

Sterile Pack containing:

|  |                 |
|--|-----------------|
| Gauze and Cotton Tissue Pad  | 8.5cm x 20cm    |
| Gauze Swabs 12 ply   | 4 x 10 x 10cm   |
| Absorbent Cotton Balls, large                                      | 4 x 0.9g approx |
| Absorbent Paper Towel  | 45cm x 50cm     |
| Water Repellent Inner Wrapper opens out as a sterile working field | 50cm x 50cm     |

**Sterile Dressing Pack with Non-Woven Pads** Specification 35 0.56

Sterile Pack containing:

|  |                 |
|--|-----------------|
| Non-woven Fabric Covered Dressing Pad                              | 10cm x 20cm     |
| Non-woven Fabric Swabs   | 4 x 10cm x 10cm |
| 4 Absorbent Cotton Wool Balls                                      |                 |
| Absorbent Paper Towel  | 50cm x 45cm     |
| Water Repellent Inner Wrapper opens out as a sterile working field | 50cm x 50cm     |

#### Non Drug Tariff Specification CE marked Sterile Dressing Packs

**365 Community Woundcare Pack** 0.46

Sterile Pack containing:

|                               |                        |
|-------------------------------|------------------------|
| 1 Tray                        | 16.5cm x 10.5cm        |
| 1 Pair Nitrile Gloves         | small, medium or large |
| 1 White Waste Disposal Bag    | 45cm x 35cm            |
| 1 Hand Dressing Towel         | 43cm x 38cm            |
| 1 White Plastic Apron         | 80cm x 130cm           |
| 5 Non-Woven Swabs 4 ply       | 10cm x 10cm            |
| 1 Measuring Tape              |                        |
| Folded Drape                  | 50cm x 50cm            |
| 1 Tissue Backed Sterile Field | 45cm x 45cm            |

## Part III (d) Appliances – Dressings / Wound Management Dressings

---

|  |                            |      |
|--|----------------------------|------|
| <b>Dressit</b>                               |                            | 0.60 |
| Sterile Pack containing:                     |                            |      |
| 1 Pair Vitrex Gloves                         | small/medium, medium/large |      |
| 1 Large Apron                                |                            |      |
| 1 Disposable Bag                             | 26cm x 46cm                |      |
| 1 Paper Towel                                | 45cm x 50cm                |      |
| 4 Softswabs 4 ply                            | 10cm x 10cm                |      |
| 1 Absorbent Pad                              | 10cm x 12cm                |      |
| 1 Sterile field                              | 50cm x 50cm                |      |
| <b>MeCoBo</b>                                |                            | 0.46 |
| Sterile Pack containing:                     |                            |      |
| 5 Non-Woven swabs 4 ply                      | 7.5cm x 7.5cm              |      |
| 1 Folded Laminate Drape                      | 500mm x 500mm              |      |
| 1pc Absorbent Towel                          | 500mm x 500mm              |      |
| 1pc Gallipot                                 | 60ml                       |      |
| 1pc Kidney Tray                              | 210mm x 110mm x 25mm       |      |
| 1pc Wrapping Drape                           | 500mm x 500mm              |      |
| 1pc Packed Pouch                             | 133mm x 280mm              |      |
| <b>Multi-Pack</b>                            |                            | 0.46 |
| Sterile Pack containing:                     |                            |      |
| 1 Sterile Field                              |                            |      |
| 1 Tray                                       |                            |      |
| 1 Pair Nitrile Gloves                        | small, medium or large     |      |
| 1 Blue Drape                                 |                            |      |
| 1 White Bag                                  |                            |      |
| 1 White Large Apron                          |                            |      |
| 5 Non Woven Swabs 4 Ply                      | 10cm x 10cm                |      |
| <b>Nurse It</b>                              |                            | 0.57 |
| Sterile Pack containing:                     |                            |      |
| 1 Pair Latex Free Powder Free Nitrile Gloves | small/medium, medium/large |      |
| 7 Non-Woven Swabs 4 ply                      | 10cm x 10cm                |      |
| 1 Compartment Tray                           | 12cm x 11cm                |      |
| 1 Disposable Forceps                         | 11cm                       |      |
| 2 Laminated Paper Sterile Fields             | 40cm x 40cm                |      |
| 1 Large Apron                                | 80cm x 130cm               |      |
| 1 Paper Towel                                | 35cm x 40cm                |      |
| 1 White Polythene Disposable Bag             | 46cm x 26cm                |      |
| 1 Paper Measuring Tape                       |                            |      |
| <b>Polyfield Nitrile Patient Pack</b>        |                            | 0.52 |
| Sterile Pack containing:                     |                            |      |
| 1 Pair Powder Free Nitrile AF gloves         | small, medium or large     |      |
| 1 Sterile Laminate Sheet                     | 50cm x 45cm                |      |
| 7 Non Woven Swabs                            | 10cm x 10cm                |      |
| 1 Towel                                      | 43cm x 38cm                |      |
| 1 White Polythene Disposable Bag             |                            |      |
| 1 Apron                                      |                            |      |

## Part III (d) Appliances – Dressings / Wound Management Dressings

---

### Vapour-permeable Adhesive Film Dressing

(Syn: Semipermeable Adhesive Dressing)

|  |                           |      |
|--|---------------------------|------|
| <b>365 Film</b>  | 4cm x 5cm                 | 0.04 |
|  | 6cm x 7cm                 | 0.07 |
|  | 10cm x 12cm               | 0.16 |
|  | 10cm x 14cm               | 0.18 |
|  | 10cm x 25cm               | 0.24 |
|  | 15cm x 20cm               | 0.38 |
| <b>365 IV Reinforced IV Transparent Dressing Frame Application</b> | 5cm x 5.7cm               | 0.23 |
|  | 7cm x 8.5cm               | 0.18 |
| <b>365 IV Transparent IV Dressing</b>                              | 7cm x 9cm                 | 0.24 |
|  | 10cm x 12cm               | 0.59 |
| <b>AquaBloc</b>  | 5cm x 7cm                 | 0.20 |
|  | 10cm x 12cm               | 0.55 |
|  | 10cm x 25cm               | 0.70 |
| <b>Askina Derm</b>   | 6cm x 7cm                 | 0.39 |
|  | 10cm x 12cm               | 1.14 |
|  | 10cm x 20cm               | 2.17 |
|  | 15cm x 20cm               | 2.63 |
|  | 20cm x 30cm               | 4.70 |
| <b>Bioclusive Plus</b>   | 6cm x 7cm                 | 0.36 |
|  | 10cm x 12cm               | 1.00 |
|  | 15cm x 20cm               | 1.45 |
|  | 20cm x 30cm               | 2.37 |
| <b>Central Gard (Intravenous/Sub-Cutaneous Therapy)</b>            | 16cm x 7cm central line   | 1.00 |
|  | 16cm x 8.8cm central line | 1.10 |
| <b>ClearFilm</b>   | 6cm x 7cm                 | 0.25 |
|  | 10cm x 12cm               | 0.55 |
|  | 12cm x 12cm               | 0.62 |
|  | 15cm x 20cm               | 1.15 |
|  | 20cm x 30cm               | 1.95 |
| <b>ClearFilm I.V.</b>  | 6cm x 7cm                 | 0.28 |
|  | 7cm x 9cm                 | 0.36 |
|  | 10cm x 12cm               | 0.98 |
|  | 10cm x 15cm               | 1.40 |
| <b>Dressfilm</b>   | 15cm x 20cm               | 1.90 |
| <b>Easi-V securement device for IV peripheral lines</b>            | 7cm x 7.5cm               | 0.38 |

## Part III (d) Appliances – Dressings / Wound Management Dressings

|   |                       |           |      |
|---|-----------------------|-----------|------|
| <b>Hydrofilm</b>                                  | 6cm x 7cm             | 0.24      |      |
|   | 10cm x 12.5cm         | 0.44      |      |
|   | 10cm x 15cm           | 0.56      |      |
|   | 10cm x 25cm           | 0.86      |      |
|   | 12cm x 25cm           | 0.91      |      |
|   | 15cm x 20cm           | 1.02      |      |
|   | 20cm x 30cm           | 1.69      |      |
| <b>Hydrofilm IV Control</b>                       | 7cm x 9cm             | 0.32      |      |
| <b>Hypafix Transparent</b>                        | 10cm x 2m             | 9.03      |      |
| <b>IV3000</b> (Intravenous/Sub-Cutaneous Therapy) | Ported 5cm x 6cm      | 0.45      |      |
|   | 6cm x 7cm             | 0.59      |      |
|   | Ported 7cm x 9cm      | 0.78      | ↑    |
|   | Ported 9cm x 12cm     | 1.53      |      |
|   | 10cm x 12cm           | 1.49      | ↑    |
|   | Ported 11cm x 14cm    | 1.70      |      |
| <b>Kendall Film</b>                               | 4cm x 4cm             | 0.36      |      |
|   | 5cm x 7cm             | 0.40      |      |
|   | 10cm x 12cm           | 1.03      |      |
|   | 10cm x 20cm           | 2.04      |      |
|   | 15cm x 20cm           | 2.35      |      |
|   | 20cm x 25cm           | 4.11      |      |
|   | <b>kliniderm Film</b> | 4cm x 5cm | 0.09 |
| 5cm x 7.2cm                                       |                       | 0.17      |      |
| 10cm x 10cm                                       |                       | 0.33      |      |
| 10cm x 12cm                                       |                       | 0.37      |      |
| 10cm x 15cm                                       |                       | 0.43      |      |
| 10cm x 20cm                                       |                       | 0.51      |      |
| 10cm x 25cm                                       |                       | 0.64      |      |
| 10cm x 30cm                                       |                       | 0.80      |      |
| 15cm x 20cm                                       |                       | 0.86      |      |
| 20cm x 30cm                                       |                       | 1.42      |      |
| <b>Leukomed T</b>                                 | 7.2cm x 5cm           | 0.40      |      |
|   | 8cm x 10cm            | 0.74      |      |
|   | 10cm x 12.5cm         | 1.08      |      |
|   | 11cm x 14cm           | 1.31      |      |
|   | 15cm x 20cm           | 2.50      |      |
|   | 15cm x 25cm           | 2.67      |      |
| <b>Mepitel Film</b>                               | 6cm x 7cm             | 0.49      |      |
|   | † 6.5cm x 7cm         | 0.50      |      |
|   | 10.5cm x 12cm         | 1.37      |      |
|   | 10.5cm x 25cm         | 2.66      |      |
|   | 15.5cm x 20cm         | 3.38      |      |
| <b>Mepore Film</b>                                | 6cm x 7cm             | 0.48      |      |
|   | 10cm x 12cm           | 1.28      |      |
|   | 10cm x 25cm           | 2.50      |      |
|   | 15cm x 20cm           | 3.18      |      |
| <b>Mepore IV</b>                                  | 5cm x 5.5cm           | 0.32      |      |
|   | 8cm x 9cm             | 0.42      |      |
|   | 10cm x 11cm           | 1.13      |      |

† to be deleted 1 October 2021

## Part III (d) Appliances – Dressings / Wound Management Dressings

|   |                                |      |   |
|---|--------------------------------|------|---|
| <b>Niko-Fix securement device for ported IV cannula</b>                   | 7cm x 8.5cm                    | 0.20 |   |
| <b>OpSite Flexifix (non sterile)</b>                                      | 5cm x 1m                       | 4.17 | ↑ |
|   | 10cm x 1m                      | 7.03 | ↑ |
| <b>OpSite Flexigrid</b>   | 6cm x 7cm                      | 0.42 |   |
|   | 12cm x 12cm                    | 1.20 | ↑ |
|   | 15cm x 20cm                    | 3.04 | ↑ |
| <b>Pharmapore-PU.-I.V</b>   | 6cm x 7cm ported cannula       | 0.08 |   |
|   | 7cm x 9cm one hand application | 0.17 |   |
|   | 8.5cm x 7cm for cannula        | 0.07 |   |
| <b>ProtectFilm</b>  | 6cm x 7cm                      | 0.11 |   |
|   | 10cm x 12cm                    | 0.20 |   |
|   | 15cm x 20cm                    | 0.40 |   |
| <b>Securfix Plus</b>  | 10cm x 10cm                    | 0.14 |   |
|   | 10cm x 25cm                    | 0.38 |   |
| <b>Suprasorb F</b>  | 5cm x 7cm                      | 0.34 |   |
|   | 10cm x 12cm                    | 0.83 |   |
|   | 15cm x 20cm                    | 2.58 |   |
| <b>Tegaderm Diamond</b>   | 6cm x 7cm                      | 0.45 |   |
|   | 10cm x 12cm                    | 1.23 |   |
| <b>Tegaderm Film</b>  | 6cm x 7cm                      | 0.39 |   |
|   | 12cm x 12cm                    | 1.13 |   |
|   | 15cm x 20cm                    | 2.44 |   |
| <b>Tegaderm IV Advanced</b>   | 7cm x 8.5cm peripheral line    | 0.60 |   |
|   | 8.5cm x 11.5cm                 | 1.16 |   |
|   | 10cm x 15.5cm PICC line        | 1.68 |   |
| <b>Vellafilm</b>  | 12cm x 12cm                    | 1.15 | ↑ |
|   | 12cm x 35cm                    | 2.88 | ↑ |
|   | 15cm x 20cm                    | 2.20 | ↑ |
| <b>Vapour-permeable Adhesive Film Dressing - with absorbent pad</b>       |                                |      |   |
| (Syn: Semipermeable Adhesive Dressing)                                    |                                |      |   |
| <b>365 Transparent Island</b>   |                                |      |   |
| 5cm x 7.2cm (wound contact pad 2.5cm x 3.6cm + border 1.25cm - 1.8cm)     |                                | 0.05 |   |
| 8.5cm x 9.5cm (wound contact pad 3.8cm x 6.8cm + border 2.35cm - 1.35cm)  |                                | 0.11 |   |
| 8.5cm x 15.5cm (wound contact pad 3.8cm x 11.6cm + border 2.35cm - 1.9cm) |                                | 0.15 |   |
| 10cm x 25cm (wound contact pad 5.5cm x 20cm + border 2.25cm - 2.5cm)      |                                | 0.26 |   |
| 12cm x 10cm (wound contact pad 7.5cm x 5cm + border 2.5cm)                |                                | 0.14 |   |
| 20cm x 10cm (wound contact pad 15cm x 5.3cm + border 2.5cm - 2.35cm)      |                                | 0.21 |   |
| 30cm x 10cm (wound contact pad 25cm x 5.5cm + border 2.5cm - 2.25cm)      |                                | 0.27 |   |
| <b>Adpore Ultra</b>   |                                |      |   |
| 7cm x 8cm (wound contact pad 4cm x 5cm + border 1.5cm)                    |                                | 0.12 |   |
| 10cm x 10cm (wound contact pad 4.5cm x 5cm + border 2.5cm - 2.75cm)       |                                | 0.14 |   |
| 10cm x 15cm (wound contact pad 5cm x 10cm + border 2.5cm)                 |                                | 0.22 |   |
| 10cm x 20cm (wound contact pad 5cm x 15cm + border 2.5cm)                 |                                | 0.33 |   |
| 10cm x 25cm (wound contact pad 5cm x 20cm + border 2.5cm)                 |                                | 0.35 |   |
|   |                                | 0.52 |   |

## Part III (d) Appliances – Dressings / Wound Management Dressings

---

|                                |  |      |
|--------------------------------|--|------|
| <b>Aldress</b>                 | 10cm x 10cm  | 1.01 |
|                                | 15cm x 15cm  | 2.19 |
|                                | 15cm x 20cm  | 2.71 |
| <b>Clearpore</b>               | 6cm x 7cm (wound contact pad 3cm x 4cm + border 1.5cm)               | 0.12 |
|                                | 6cm x 10cm (wound contact pad 3cm x 7cm + border 1.5cm)              | 0.15 |
|                                | 10cm x 10cm (wound contact pad 6cm x 6cm + border 2cm)               | 0.20 |
|                                | 15cm x 10cm (wound contact pad 11cm x 6cm + border 2cm)              | 0.24 |
|                                | 20cm x 10cm (wound contact pad 16cm x 6cm + border 2cm)              | 0.36 |
|                                | 25cm x 10cm (wound contact pad 21cm x 6cm + border 2cm)              | 0.40 |
|                                | 10cm x 30cm (wound contact pad 5cm x 25cm + border 2.5cm)            | 0.65 |
| <b>Hydrofilm Plus</b>          | 5cm x 7.2cm  | 0.19 |
|                                | 9cm x 10cm   | 0.29 |
|                                | 9cm x 15cm   | 0.32 |
|                                | 10cm x 20cm  | 0.48 |
|                                | 10cm x 25cm  | 0.64 |
|                                | 10cm x 30cm  | 0.73 |
| <b>kliniderm Film with Pad</b> | 5cm x 7.2cm  | 0.14 |
|                                | 10cm x 10cm  | 0.23 |
|                                | 10cm x 15cm  | 0.28 |
|                                | 10cm x 20cm  | 0.39 |
|                                | 10cm x 25cm  | 0.51 |
|                                | 10cm x 30cm  | 0.58 |
|                                | 15cm x 20cm  | 1.07 |
| <b>Leukomed T plus</b>         | 7.2cm x 5cm (wound contact pad 2.8cm x 3.7cm + border 1.6cm x 1.1cm) | 0.28 |
|                                | 8cm x 10cm (wound contact pad 4.2cm x 6.1cm + border 1.7cm x 2cm)    | 0.57 |
|                                | 8cm x 15cm (wound contact pad 3.8cm x 11cm + border 1.7cm x 2cm)     | 0.85 |
|                                | 10cm x 20cm (wound contact pad 5cm x 16cm + border 2.5cm x 2cm)      | 1.42 |
|                                | 10cm x 25cm (wound contact pad 5cm x 21cm + border 2cm x 2.5cm)      | 1.59 |
|                                | 10cm x 30cm (wound contact pad 5cm x 25cm + border 2.4cm x 2.5cm)    | 2.67 |
|                                | 10cm x 35cm (wound contact pad 5cm x 30cm + border 2.1cm x 2.5cm)    | 3.23 |
| <b>Mepore Film &amp; Pad</b>   | 4cm x 5cm (wound contact pad 1.5cm x 2.5cm + border 1.25cm)          | 0.25 |
|                                | 5cm x 7cm (wound contact pad 2.5cm x 4cm + border 1.25cm - 1.5cm)    | 0.26 |
|                                | 9cm x 10cm (wound contact pad 4.5cm x 5cm + border 2.25cm - 2.5cm)   | 0.65 |
|                                | 9cm x 15cm (wound contact pad 4.5cm x 10cm + border 2.25cm - 2.5cm)  | 0.96 |
|                                | 9cm x 20cm (wound contact pad 4.5cm x 15cm + border 2.25cm - 2.5cm)  | 1.42 |
|                                | 9cm x 25cm (wound contact pad 4.5cm x 20cm + border 2.25cm - 2.5cm)  | 1.57 |
|                                | 9cm x 30cm (wound contact pad 4.5cm x 25cm + border 2.25cm - 2.5cm)  | 2.10 |
|                                | 9cm x 35cm (wound contact pad 4.5cm x 30cm + border 2.25cm - 2.5cm)  | 2.62 |
| <b>Mepore Ultra</b>            | 7cm x 8cm  | 0.42 |
|                                | 9cm x 20cm   | 1.58 |
|                                | 9cm x 25cm   | 1.74 |
|                                | 9cm x 30cm   | 2.88 |
|                                | 10cm x 11cm  | 0.83 |
|                                | 11cm x 15cm  | 1.22 |
| <b>Nupore Plus</b>             | 6cm x 7cm (wound contact pad 3cm x 4cm + border 1.5cm)               | 0.16 |
|                                | 7cm x 8cm (wound contact pad 4cm x 5cm + border 1.5cm)               | 0.20 |
|                                | 10cm x 11cm (wound contact pad 5cm x 5cm + border 2.5-3cm)           | 0.32 |

## Part III (d) Appliances – Dressings / Wound Management Dressings

---

|                       |  |      |   |
|-----------------------|--|------|---|
| <b>OpSite Plus</b>    | 6.5cm x 5cm (wound contact pad 4cm x 2.5cm + border 1.25cm)            | 0.34 |   |
|                       | 8.5cm x 9.5cm (wound contact pad 3.7cm x 7.3cm + border 2.4cm - 1.1cm) | 0.94 | ↑ |
|                       | 10cm x 12cm (wound contact pad 5cm x 7.5cm + border 2.5cm - 2.25cm)    | 1.28 | ↑ |
|                       | 10cm x 20cm (wound contact pad 5.5cm x 15cm + border 2.25cm - 2.5cm)   | 2.15 | ↑ |
|                       | 10cm x 35cm (wound contact pad 5.7cm x 30cm + border 2.15cm - 2.5cm)   | 3.56 | ↑ |
| <b>OpSite Post-Op</b> | 8.5cm x 9.5cm  | 0.92 | ↑ |
|                       | 8.5cm x 15.5cm   | 1.28 | ↑ |
|                       | 10cm x 12cm  | 1.25 | ↑ |
|                       | 10cm x 20cm  | 2.11 | ↑ |
|                       | 10cm x 25cm  | 2.65 | ↑ |
|                       | 10cm x 30cm  | 3.14 | ↑ |
|                       | 10cm x 35cm  | 3.50 | ↑ |
| <b>Pharmapore-PU</b>  | 8.5cm x 15.5cm   | 0.20 |   |
|                       | 10cm x 25cm  | 0.38 |   |
|                       | 10cm x 30cm  | 0.58 |   |
| <b>PremierPore VP</b> | 5cm x 7cm  | 0.13 |   |
|                       | 10cm x 10cm  | 0.16 |   |
|                       | 10cm x 15cm  | 0.24 |   |
|                       | 10cm x 20cm  | 0.36 |   |
|                       | 10cm x 25cm  | 0.38 |   |
|                       | 10cm x 30cm  | 0.57 |   |
|                       | 10cm x 35cm  | 0.70 |   |
| <b>Soffix Med</b>     | 8cm x 10cm   | 0.09 |   |
|                       | 10cm x 10cm  | 0.10 |   |
|                       | 10cm x 15cm  | 0.18 |   |
|                       | 10cm x 20cm  | 0.22 |   |
|                       | 10cm x 25cm  | 0.28 |   |
|                       | 10cm x 35cm  | 0.40 |   |
| <b>Tegaderm +Pad</b>  | 5cm x 7cm (wound contact pad 2.5cm x 4cm + border 1.25cm - 1.5cm)      | 0.26 |   |
|                       | 9cm x 10cm (wound contact pad 4.5cm x 6cm + border 2.25cm - 2cm)       | 0.66 |   |
|                       | 9cm x 15cm (wound contact pad 4.5cm x 10cm + border 2.25cm - 2.5cm)    | 0.97 |   |
|                       | 9cm x 20cm (wound contact pad 4.5cm x 15cm + border 2.25cm - 2.5cm)    | 1.42 |   |
|                       | 9cm x 25cm (wound contact pad 4.5cm x 20cm + border 2.25cm - 2.5cm)    | 1.60 |   |
|                       | 9cm x 35cm (wound contact pad 4.5cm x 30cm + border 2.25cm - 2.5cm)    | 2.65 |   |



## Part III (d) Appliances – Dressings / Wound Management Dressings

### Wound Management Dressings

Note for all wound management dressings: The exact number of pieces, ordered by the prescriber is to be dispensed.

#### Activated Charcoal Absorbent Dressing

|                         |             |      |
|-------------------------|-------------|------|
| <b>Askina Carbosorb</b> | 10cm x 10cm | 3.04 |
|                         | 10cm x 20cm | 5.87 |

|                  |                   |      |
|------------------|-------------------|------|
| <b>CarboFlex</b> | 10cm x 10cm       | 3.38 |
|                  | 8cm x 15cm (Oval) | 4.05 |
|                  | 15cm x 20cm       | 7.68 |

|                             |             |       |
|-----------------------------|-------------|-------|
| <b>KoCarbon Hydrophilic</b> | 10cm x 10cm | 2.69  |
|                             | 20cm x 20cm | 10.61 |

|                           |                              |      |
|---------------------------|------------------------------|------|
| <b>KoCarbon Occlusive</b> | 4cm x 6.4cm (non-waterproof) | 0.85 |
|                           | 4cm x 6.5cm (waterproof)     | 0.85 |
|                           | 10cm x 15cm (waterproof)     | 3.25 |
|                           | 10cm x 25cm (waterproof)     | 6.36 |

#### Activated Charcoal Non-Absorbent Dressing

|                    |             |      |
|--------------------|-------------|------|
| <b>Carbopad VC</b> | 10cm x 10cm | 1.62 |
|                    | 10cm x 20cm | 2.19 |

|                  |             |      |   |
|------------------|-------------|------|---|
| <b>CliniSorb</b> | 10cm x 10cm | 2.01 | ↑ |
|                  | 10cm x 20cm | 2.68 | ↑ |
|                  | 15cm x 25cm | 4.31 | ↑ |

|                |               |      |
|----------------|---------------|------|
| <b>ODOLOCK</b> | 10.5cmx10.5cm | 1.78 |
|                | 10.5cmx19cm   | 2.44 |

#### Activated Charcoal Cloth with Silver

|                            |                 |      |
|----------------------------|-----------------|------|
| <b>Actisorb Silver 220</b> | 6.5cm x 9.5cm   | 1.68 |
|                            | 10.5cm x 10.5cm | 2.63 |
|                            | 10.5cm x 19cm   | 4.78 |

#### Alginate containing Hydrocolloid Dressing - Sterile

Indications: Medium to heavily exuding wounds.

|                         |             |      |   |
|-------------------------|-------------|------|---|
| <b>Biatain Alginate</b> | 5cm x 5cm   | 1.03 | ↑ |
|                         | 10cm x 10cm | 2.46 | ↑ |
|                         | 15cm x 15cm | 4.66 | ↑ |

|                     |             |      |
|---------------------|-------------|------|
| <b>Urgosorb Pad</b> | 5cm x 5cm   | 0.92 |
|                     | 10cm x 10cm | 2.22 |
|                     | 10cm x 20cm | 4.07 |

|                        |             |      |
|------------------------|-------------|------|
| <b>Urgosorb Silver</b> | 5cm x 5cm   | 1.61 |
|                        | 10cm x 10cm | 3.84 |
|                        | 10cm x 20cm | 7.24 |

#### Alginate Dressing – Sterile

Indications: Medium to heavily exuding wounds.

|                           |             |      |
|---------------------------|-------------|------|
| <b>ActivHeal Alginate</b> | 5cm x 5cm   | 0.59 |
|                           | 10cm x 10cm | 1.15 |
|                           | 10cm x 20cm | 2.83 |

|                    |                 |       |
|--------------------|-----------------|-------|
| <b>Algicell Ag</b> | 5cm x 5cm       | 1.23  |
|                    | 10.8cm x 10.8cm | 3.56  |
|                    | 10.1cm x 20.3cm | 7.08  |
|                    | 20.3cm x 30.5cm | 19.00 |

## Part III (d) Appliances – Dressings / Wound Management Dressings

---

|                            |              |      |   |
|----------------------------|--------------|------|---|
| <b>Algisite Ag</b>         | 5cm x 5cm    | 1.75 |   |
|                            | 10cm x 10cm  | 4.37 |   |
|                            | 10cm x 20cm  | 8.05 |   |
| <b>Algisite M</b>          | 5cm x 5cm    | 0.99 | ↑ |
|                            | 10cm x 10cm  | 2.04 | ↑ |
|                            | 15cm x 20cm  | 5.47 | ↑ |
| <b>AlgiSorb</b>            | 5cm x 5cm    | 0.55 |   |
|                            | 10cm x 10cm  | 1.10 |   |
|                            | 10cm x 20cm  | 2.70 |   |
|                            | 15cm x 25cm  | 4.95 |   |
| <b>Algivon</b>             | 5cm x 5cm    | 2.51 | ↑ |
|                            | 10cm x 10cm  | 4.30 | ↑ |
| <b>Algivon Plus</b>        | 5cm x 5cm    | 2.48 | ↑ |
|                            | 10cm x 10cm  | 4.25 | ↑ |
| <b>Algi-White Dense</b>    | 5cm x 5cm    | 0.65 |   |
|                            | 10cm x 10cm  | 1.27 |   |
|                            | 10cm x 20cm  | 3.11 |   |
|                            | 15cm x 15cm  | 3.52 |   |
| <b>Algi-White Standard</b> | 5cm x 5cm    | 0.62 |   |
|                            | 10cm x 10cm  | 1.21 |   |
|                            | 10cm x 20cm  | 2.97 |   |
|                            | 15cm x 15cm  | 3.36 |   |
| <b>Biatain Alginate Ag</b> | 5cm x 5cm    | 1.73 | ↑ |
|                            | 10cm x 10cm  | 4.23 | ↑ |
|                            | 15cm x 15cm  | 6.91 | ↑ |
|                            | 3cm x 44cm   | 4.57 | ↑ |
| <b>CovaWound Alginate</b>  | 5cm x 5cm    | 0.43 |   |
|                            | 10cm x 10cm  | 0.73 |   |
|                            | 10cm x 20cm  | 1.86 |   |
|                            | 15cm x 15cm  | 2.51 |   |
|                            | 15cm x 20cm  | 3.14 |   |
| <b>Cutimed Alginate</b>    | 5cm x 5cm    | 0.78 |   |
|                            | 10cm x 10cm  | 1.65 |   |
|                            | 10cm x 20cm  | 3.10 |   |
| <b>Farmactive Alginato</b> | 5cm x 5cm    | 0.37 |   |
|                            | 10cm x 10cm  | 1.00 |   |
|                            | 10cm x 20cm  | 1.75 |   |
| <b>Kaltostat</b>           | 5cm x 5cm    | 1.00 |   |
|                            | 7.5cm x 12cm | 2.19 |   |
|                            | 10cm x 20cm  | 4.29 |   |
|                            | 15cm x 25cm  | 7.38 |   |

## Part III (d) Appliances – Dressings / Wound Management Dressings

---

|                                      |             |       |
|--------------------------------------|-------------|-------|
| <b>Kendall Calcium Alginate</b>      | 5cm x 5cm   | 0.72  |
|                                      | 10cm x 10cm | 1.52  |
|                                      | 10cm x 14cm | 2.45  |
|                                      | 10cm x 20cm | 2.98  |
|                                      | 15cm x 25cm | 5.25  |
|                                      | 30cm x 61cm | 27.56 |
| <b>Kendall Calcium Alginate Plus</b> | 10cm x 10cm | 2.08  |
| <b>kliniderm Alginate</b>            | 5cm x 5cm   | 0.39  |
|                                      | 10cm x 10cm | 0.65  |
|                                      | 10cm x 20cm | 1.69  |
|                                      | 2cm x 30cm  | 1.53  |
| <b>Maxorb II</b>                     | 5cm x 5cm   | 0.70  |
|                                      | 10cm x 10cm | 1.45  |
| <b>Medihoney Gel Sheet</b>           | 5cm x 5cm   | 1.78  |
|                                      | 10cm x 10cm | 4.28  |
| <b>Melgisorb</b>                     | 5cm x 5cm   | 0.90  |
|                                      | 10cm x 10cm | 1.88  |
|                                      | 10cm x 20cm | 3.52  |
| <b>Melgisorb Ag</b>                  | 5cm x 5cm   | 1.92  |
|                                      | 10cm x 10cm | 3.83  |
|                                      | 15cm x 15cm | 8.12  |
| <b>Melgisorb Plus</b>                | 5cm x 5cm   | 0.77  |
|                                      | 10cm x 10cm | 1.55  |
|                                      | 10cm x 20cm | 3.06  |
| <b>Revamil Melginate</b>             | 5cm x 5cm   | 2.48  |
|                                      | 10cm x 10cm | 4.25  |
| <b>Sorbalgon</b>                     | 5cm x 5cm   | 0.86  |
|                                      | 10cm x 10cm | 1.81  |
| <b>Sorbsan Flat</b>                  | 5cm x 5cm   | 0.82  |
|                                      | 10cm x 10cm | 1.72  |
|                                      | 10cm x 20cm | 3.22  |
| <b>Sorbsan Silver Flat</b>           | 5cm x 5cm   | 1.58  |
|                                      | 10cm x 10cm | 4.00  |
|                                      | 10cm x 20cm | 7.31  |
| <b>Spirit Alginate</b>               | 10cm x 10cm | 0.90  |
| <b>Suprasorb A</b>                   | 5cm x 5cm   | 0.66  |
|                                      | 10cm x 10cm | 1.29  |
| <b>Suprasorb A + Ag</b>              | 5cm x 5cm   | 1.72  |
|                                      | 10cm x 10cm | 4.32  |
|                                      | 10cm x 20cm | 7.97  |

## Part III (d) Appliances – Dressings / Wound Management Dressings

---

|   |                    |  |            |
|---|--------------------|--|------------|
| <b>Tegaderm Alginate</b>  |                    | 5cm x 5cm                                      | 0.83       |
|   |                    | 10cm x 10cm                                    | 1.75       |
| <b>Tegaderm Alginate Ag</b>   |                    | 5cm x 5cm                                      | 1.42       |
|   |                    | 10cm x 10cm                                    | 3.30       |
| <b>Trionic</b>  |                    | 5cm x 10cm                                     | 1.19       |
|   |                    | 10cm x 15cm                                    | 2.68       |
|   |                    | 10cm x 20cm                                    | 3.32       |
| <b>Alginate Dressing with Superabsorbent Backing – Sterile</b>                            |                    |  |            |
| <b>Sorbsan Plus</b>   |                    | 7.5cm x 10cm                                   | 1.77       |
|   |                    | 10cm x 15cm                                    | 3.12       |
|   |                    | 10cm x 20cm                                    | 3.98       |
|   |                    | 15cm x 20cm                                    | 5.53       |
| <b>Sorbsan Plus Border</b>  |                    |  |            |
|   | 11.5cm x 14cm      | (wound contact pad 6.5cm x 9cm + border 2.5cm) | 3.11       |
|   | 14cm x 19cm        | (wound contact pad 9cm x 14cm + border 2.5cm)  | 4.52       |
|   | 14cm x 24cm        | (wound contact pad 9cm x 19cm + border 2.5cm)  | 5.47       |
|   | 19cm x 24cm        | (wound contact pad 14cm x 19cm + border 2.5cm) | 6.87       |
| <b>Sorbsan Silver Plus</b>  |                    | 7.5cm x 10cm                                   | 3.37       |
|   |                    | 10cm x 15cm                                    | 5.60       |
|   |                    | 10cm x 20cm                                    | 6.82       |
|   |                    | 15cm x 20cm                                    | 9.15       |
| <b>Bio-Cellulose Dressing</b>   |                    |  |            |
| <b>CelluDress - PHMB</b>  | <u>Square</u>      | 10cm x 10cm                                    | 4.50       |
| <b>Suprasorb X</b>  | <u>Square</u>      | 5cm x 5cm                                      | 2.16       |
|   |                    | 9cm x 9cm                                      | 4.49       |
|   | <u>Rectangular</u> | 14cm x 20cm                                    | 8.89       |
|   |                    | <u>Rope</u>                                    | 2cm x 21cm |
| <b>Suprasorb X + PHMB</b>   | <u>Square</u>      | 5cm x 5cm                                      | 2.70       |
|   |                    | 9cm x 9cm                                      | 5.37       |
|   | <u>Rectangular</u> | 14cm x 20cm                                    | 12.22      |
|   |                    | <u>Rope</u>                                    | 2cm x 21cm |
| <b>Capillary Action Absorbent Wound Dressing</b>  |                    |  |            |
| <u>Indications:</u> Low to heavily exuding wounds.  |                    |  |            |
| <u>Precautions:</u> Avoid any arterial bleeds or very vascular wounds eg fungating wounds |                    |  |            |
| <b>Vacutex</b>  |                    | 5cm x 5cm                                      | 0.96       |
|   |                    | 10cm x 10cm                                    | 1.70       |
|   |                    | 10cm x 15cm                                    | 2.29       |
|   |                    | 10cm x 20cm                                    | 2.75       |

## Part III (d) Appliances – Dressings / Wound Management Dressings

---

|   |   |                      |   |
|---|---|----------------------|---|
| <b>Cavity Dressing</b>                  |   |                      |   |
| <b>Acticoat Flex 7</b>                  | 2.5cm x 60cm                            | 10.00                | ↑ |
| <b>ActivHeal Alginate Rope</b>          | 2.5cm x 30cm                            | 2.13                 |   |
| <b>ActivHeal Aquafiber Rope</b>         | 2cm x 42cm                              | 1.81                 |   |
| <b>Algicell Ag</b>                      | 1.9cm x 30.5cm                          | 4.50                 |   |
| <b>Algisite Ag</b>                      | 30cm/2g                                 | 6.04                 |   |
| <b>Algisite M-Rope</b>                  | 2cm x 30cm                              | 3.69                 | ↑ |
| <b>AlgiSorb</b>                         | 3cm x 30cm                              | 2.04                 |   |
| <b>Algivon Plus Ribbon (with probe)</b> | 2.5cm x 20cm                            | 4.25                 | ↑ |
| <b>Algi-White Dense</b>                 | 2.5cm x 30cm                            | 2.54                 |   |
| <b>Algi-White Standard</b>              | 2.5cm x 30cm                            | 2.24                 |   |
| <b>Aquacel Ribbon</b>                   | 1cm x 45cm<br>2cm x 45cm                | 1.94<br>2.58         |   |
| <b>Aquacel Ag Ribbon</b>                | 1cm x 45cm<br>2cm x 45cm                | 3.24<br>5.02         | ↑ |
| <b>Aquacel Ag+ Ribbon</b>               | 1cm x 45cm<br>2cm x 45cm                | 3.22<br>4.91         |   |
| <b>Askina Foam Cavity</b>               | 2.4cm x 40cm                            | 2.57                 |   |
| <b>Biatain Ag</b>                       | 5cm x 8cm                               | 4.29                 | ↑ |
| <b>Biatain Alginate</b>                 | 44cm                                    | 2.90                 | ↑ |
| <b>Biatain Fiber</b>                    | 2.5cm x 46cm                            | 3.12                 |   |
| <b>CovaWound Alginate Rope</b>          | 2cm x 30cm<br>30cm/2g                   | 1.67<br>1.40         |   |
| <b>Cutimed Alginate</b>                 | 2.5cm x 30cm                            | 3.78                 |   |
| <b>Cutimed Cavity</b>                   | 5cm x 6cm<br>10cm x 10cm<br>15cm x 15cm | 1.97<br>3.28<br>4.93 |   |
| <b>Cutimed Sorbact Ribbon</b>           | 2cm x 50cm<br>5cm x 200cm               | 4.24<br>8.36         |   |
| <b>Cutimed Sorbact Round Swab</b>       | 3cm/5 pieces                            | 3.47                 |   |

### Part III (d) Appliances – Dressings / Wound Management Dressings

---

|  |                          |                      |
|--|--------------------------|----------------------|
| <b>Exufiber</b>  | 1cm x 45cm<br>2cm x 45cm | 1.65<br>1.87         |
| <b>Exufiber Ag+ Ribbon</b>                               | 2cm x 45cm               | 4.31                 |
| <b>FarlaFIBRE Ribbon</b>                                 | 2cm x 45cm               | 1.44                 |
| <b>FarlaFIBRE Rope</b>                                   | 4cm x 30cm               | 1.98                 |
| <b>Farmactive Alginato Rope</b>                          | 30cm                     | 1.82                 |
| <b>Kaltostat</b>   | 2g                       | 4.02                 |
| <b>Kendall Calcium Alginate Rope</b>                     | 30cm<br>61cm<br>91cm     | 2.89<br>5.07<br>5.46 |
| <b>Maxorb II</b>   | 2.5cm x 30cm             | 3.40                 |
| <b>Medihoney Antibacterial Honey Apinate <u>Rope</u></b> | 1.9cm x 30cm             | 4.28                 |
| <b>Melgisorb Cavity</b>                                  | 2.2cm x 32cm             | 3.55                 |
| <b>Melgisorb Plus Cavity</b>                             | 3cm x 45cm               | 3.30                 |
| <b>Melgisorb Ag Cavity</b>                               | 3cm x 44cm               | 4.78                 |
| <b>PolyMem Silver WIC</b>                                | 8cm x 8cm                | 7.10                 |
| <b>PolyMem WIC</b>                                       | 8cm x 8cm                | 3.72                 |
| <b>Silvercel non-adherent</b>                            | 2.5cm x 30.5cm           | 3.98                 |
| <b>Sorbalgon T</b>                                       | 30cm/2g                  | 3.68                 |
| <b>Sorbsan Packing (with probe)</b>                      | 30cm/2g                  | 3.50                 |
| <b>Sorbsan Ribbon (with probe)</b>                       | 40cm                     | 2.06                 |
| <b>Sorbsan Silver Packing (with probe)</b>               | 30cm/2g                  | 5.80                 |
| <b>Sorbsan Silver Ribbon (with probe)</b>                | 40cm/1g                  | 4.18                 |
| <b>Spirit Packing Hydrophilic Gel Cavity</b>             | 30cm/2g                  | 2.50                 |
| <b>Spirit Ribbon Hydrophilic Gel Cavity</b>              | 40cm                     | 1.52                 |
| <b>Suprasorb A</b>                                       | 30cm/2g                  | 2.40                 |
| <b>Suprasorb A + Ag</b>                                  | 30cm/2g                  | 6.38                 |

## Part III (d) Appliances – Dressings / Wound Management Dressings

|   |                    |                |      |
|---|--------------------|----------------|------|
| Tegaderm Alginate   | 2cm x 30.4cm       | 2.92           |      |
| Tegaderm Alginate Ag  | 3cm x 30cm         | 3.77           |      |
| † Tielle Packing  | 9.5cm x 9.5cm      | 2.14           |      |
| UrgoClean Rope (with probe)   | 2.5cm x 40cm       | 2.49           |      |
|   | 5cm x 40cm         | 3.29           |      |
| Urgosorb Rope   | 30cm               | 2.91           |      |
| Urgosorb Silver Rope  | 2.5cm x 30cm       | 3.86           |      |
| <b>Honey Based Topical Application</b>                                |                    |                |      |
| Actibalm  | 10g                | 2.55           |      |
| Activon Medical Grade Manuka Honey                                    | 25g                | 2.80           | ↑    |
| L-Mesitran Ointment   | 20g                | 3.91           |      |
|   | 50g                | 9.90           |      |
| L-Mesitran SOFT   | 15g                | 3.62           |      |
| ✘ ManukaDress-T   | 15g                | 2.85           |      |
| MANUKApli   | 30g                | 5.90           |      |
| Medihoney Antibacterial Medical Honey                                 | 20g                | 4.03           |      |
|   | 50g                | 10.08          |      |
| Medihoney Antibacterial Wound Gel                                     | 10g                | 2.74           |      |
|   | 20g                | 4.09           |      |
| Melladerm Plus  | 20g                | 3.98           |      |
|   | 50g                | 8.50           |      |
| Melloxy   | 20g                | 4.03           |      |
|   | 50g                | 8.62           |      |
| Revamil Balm  | 2g sachet          | 0.47           |      |
|   | 15g                | 3.52           |      |
|   | 50g                | 9.99           |      |
| Revamil Wound Gel   | 18g                | 3.48           |      |
| <b>Hydrocolloid Dressing - Fibrous - Silver Impregnated – Sterile</b> |                    |                |      |
| Silvercel   | <u>Square</u>      | 5cm x 5cm      | 1.71 |
|   |                    | 11cm x 11cm    | 4.21 |
|   | <u>Rectangular</u> | 2.5cm x 30.5cm | 4.54 |
|   |                    | 10cm x 20cm    | 7.82 |

† to be deleted 1 October 2021

✘ to be deleted 1 November 2021

## Part III (d) Appliances – Dressings / Wound Management Dressings

---

### Hydrocolloid Dressing - Semi-permeable - Sterile - With Adhesive Border

Indications: Light to medium exudating wounds.

Precautions: Not suitable for infected wounds. Heavy exudate leads to too frequent changes of dressing. Dressing should seal round the borders of a wound.

Sterile one-piece pack:

#### Comfeel Plus Contour

|  |   |      |
|--|---|------|
| These dressings are contoured to facilitate application to difficult areas, such as elbows and heels |   |      |
| 6cm x 8cm  | (wound contact pad 6cm x 8cm + irregular border)  | 2.32 |
| 9cm x 11cm   | (wound contact pad 9cm x 11cm + irregular border) | 4.03 |

#### Comfeel Plus Pressure Relief

|                 |  |      |
|-----------------|--|------|
| <u>Circular</u> |  |      |
| 7cm diameter    | (wound contact pad 7cm diameter + irregular border)  | 3.63 |
| 10cm diameter   | (wound contact pad 10cm diameter + irregular border) | 4.86 |
| 15cm diameter   | (wound contact pad 15cm diameter + irregular border) | 7.31 |

#### CovaWound Hydrocolloid Border

|               |   |      |
|---------------|---|------|
| <u>Square</u> |   |      |
| 5cm x 5cm     | (wound contact pad 4.2cm x 4.2 cm + border 0.4cm) | 0.90 |
| 10cm x 10cm   | (wound contact pad 8cm x 8cm + border 1cm)        | 1.07 |
| 15cm x 15cm   | (wound contact pad 13cm x 13cm + border 1cm)      | 2.27 |

#### FarlaLITE

|               |  |      |
|---------------|--|------|
| <u>Square</u> |  |      |
| 5cm x 5cm     | (wound contact pad 3cm x 3cm + border 1cm)   | 0.38 |
| 10cm x 10cm   | (wound contact pad 8cm x 8cm + border 1cm)   | 0.81 |
| 15cm x 15cm   | (wound contact pad 13cm x 13cm + border 1cm) | 1.78 |

#### Granuflex Bordered

|                   |  |      |
|-------------------|--|------|
| <u>Square</u>     |  |      |
| 6cm x 6cm         | (wound contact pad 6cm x 6cm + border 2cm)           | 1.85 |
| 10cm x 10cm       | (wound contact pad 10cm x 10cm + border 2.0 - 2.5cm) | 3.51 |
| 15cm x 15cm       | (wound contact pad 15cm x 15cm + border 2.5cm)       | 6.69 |
| <u>Triangular</u> |  |      |
| 10cm x 13cm       | (wound contact pad 10cm x 13cm + border 2.0 - 2.5cm) | 4.14 |
| 15cm x 18cm       | (wound contact pad 15cm x 18cm + border 2.0 - 2.5cm) | 6.45 |

#### Hydrocoll Border (Bevelled Edge)

|  |  |      |
|--|--|------|
| <u>Square</u>  |  |      |
| 5cm x 5cm  | (wound contact pad 3.5cm x 3.5cm + border 0.75cm)    | 1.07 |
| 7.5cm x 7.5cm  | (wound contact pad 4.5cm x 4.5cm + border 1.5cm)     | 1.75 |
| 10cm x 10cm  | (wound contact pad 7.75cm x 7.75cm + border 1.25cm)  | 2.55 |
| 15cm x 15cm  | (wound contact pad 12.5cm x 12.5cm + border 1.5cm)   | 4.80 |
| <u>Concave</u>   |  |      |
| These dressings are contoured to facilitate application to difficult areas such as elbows and heels. |  |      |
| 8cm x 12cm   | (wound contact pad 9.3cm x 4.7cm + irregular border) | 2.25 |
| <u>Sacral</u> (previously measured as 15cm x 18cm)   |  |      |
| 12cm x 18cm  | (wound contact pad 14cm x 11cm + irregular border)   | 3.82 |

#### Tegaderm Hydrocolloid

|                 |  |      |
|-----------------|--|------|
| <u>Oval</u>     |  |      |
| 10cm x 12cm     | (wound contact pad 7cm x 9cm + border 1.5cm)           | 2.37 |
| 13cm x 15cm     | (wound contact pad 10cm x 12cm + border 1.5cm)         | 4.42 |
| <u>Sacral</u>   |  |      |
| 17.1cm x 16.1cm | (wound contact pad 13.9cm x 12.3cm + irregular border) | 4.94 |



## Part III (d) Appliances – Dressings / Wound Management Dressings

---

### Hydrocolloid Dressing - Semi-permeable - Sterile - Without Adhesive Border

#### ActivHeal Hydrocolloid

|               |             |      |
|---------------|-------------|------|
| <u>Square</u> | 10cm x 10cm | 1.58 |
|               | 15cm x 15cm | 3.43 |
| <u>Sacral</u> | 15cm x 18cm | 3.98 |
| Rectangular   | 5cm x 7.5cm | 0.78 |

#### ActivHeal Hydrocolloid Foam Backed

|               |             |      |
|---------------|-------------|------|
| <u>Square</u> | 10cm x 10cm | 1.55 |
|               | 15cm x 15cm | 2.91 |
| <u>Sacral</u> | 15cm x 18cm | 3.36 |
| Rectangular   | 5cm x 7.5cm | 0.97 |

#### Comfeel Plus

|                    |             |      |
|--------------------|-------------|------|
| <u>Square</u>      | 10cm x 10cm | 2.56 |
|                    | 15cm x 15cm | 5.50 |
|                    | 20cm x 20cm | 7.91 |
| <u>Rectangular</u> | 4cm x 6cm   | 1.01 |
| <u>Sacral</u>      | 17cm x 17cm | 5.99 |



#### CovaWound Hydrocolloid

|               |             |      |
|---------------|-------------|------|
| <u>Square</u> | 10cm x 10cm | 1.31 |
|               | 15cm x 15cm | 2.64 |
|               | 20cm x 20cm | 4.74 |

#### DuoDERM Signal

|               |                 |      |
|---------------|-----------------|------|
| <u>Square</u> | 10cm x 10cm     | 2.23 |
|               | 14cm x 14cm     | 3.91 |
|               | 20cm x 20cm     | 7.77 |
| <u>Heel</u>   | 18.5cm x 19.5cm | 5.46 |
| <u>Sacral</u> | 22.5cm x 20cm   | 6.38 |
| <u>Oval</u>   | 11cm x 19cm     | 3.42 |

#### Exuderm Satin

|               |               |      |
|---------------|---------------|------|
| <u>Square</u> | 5cm x 5cm     | 0.80 |
|               | 10cm x 10cm   | 1.55 |
|               | 15cm x 15cm   | 3.36 |
|               | 20cm x 20cm   | 5.91 |
| <u>Sacral</u> | 10cm x 9cm    | 3.32 |
|               | 15cm x 16.5cm | 3.98 |

#### Flexigran

|               |             |      |
|---------------|-------------|------|
| <u>Square</u> | 10cm x 10cm | 2.19 |
|---------------|-------------|------|

## Part III (d) Appliances – Dressings / Wound Management Dressings

---

|                               |             |      |
|-------------------------------|-------------|------|
| <b>Granuflex (modified)</b>   |             |      |
| <u>Square</u>                 | 10cm x 10cm | 2.94 |
|                               | 15cm x 15cm | 5.58 |
|                               | 20cm x 20cm | 8.40 |
| <u>Rectangular</u>            | 15cm x 20cm | 6.05 |
| <b>Hydrocoll Basic</b>        |             |      |
| <u>Square</u>                 | 10cm x 10cm | 2.59 |
| <b>kliniderm Hydrocolloid</b> |             |      |
| <u>Square</u>                 | 10cm x 10cm | 1.15 |
|                               | 15cm x 15cm | 2.39 |
|                               | 20cm c 20cm | 4.39 |
| <b>NU-DERM</b>                |             |      |
| <u>Square</u>                 | 5cm x 5cm   | 0.86 |
|                               | 10cm x 10cm | 1.57 |
|                               | 15cm x 15cm | 3.21 |
|                               | 20cm x 20cm | 6.41 |
| <u>Heel/Elbow</u>             | 8cm x 12cm  | 3.21 |
| <u>Sacral</u>                 | 15cm x 18cm | 4.49 |
| <b>Tegaderm Hydrocolloid</b>  |             |      |
| <u>Square</u>                 | 10cm x 10cm | 2.41 |

### Hydrocolloid Dressing - Semi-permeable - Sterile - Chronic and acute exudating wounds

#### With Adhesive Border

##### Biatain Super

|                    |  |      |
|--------------------|--|------|
| <u>Square</u>      |  |      |
| 10cm x 10cm        | (wound contact pad 6cm x 6cm + border 2cm)     | 2.29 |
| 12.5cm x 12.5cm    | (wound contact pad 8.5cm x 8.5cm + border 2cm) | 3.79 |
| 15cm x 15cm        | (wound contact pad 10cm x 10cm + border 2.5cm) | 4.56 |
| 20cm x 20cm        | (wound contact pad 14cm x 14cm + border 3cm)   | 7.12 |
| <u>Rectangular</u> |  |      |
| 12cm x 20cm        | (wound contact pad 8cm x 16cm + border 2cm)    | 3.80 |

##### kliniderm Hydrocolloid Border

|               |  |      |
|---------------|--|------|
| <u>Square</u> |  |      |
| 7cm x 7cm     |  | 0.75 |
| 10cm x 10cm   |  | 0.99 |
| 14cm x 14cm   |  | 2.05 |
| <u>Sacrum</u> |  |      |
| 15cm x 18cm   |  | 2.60 |

#### With Non-Adhesive Border

##### Biatain Super

|                    |  |      |
|--------------------|--|------|
| <u>Square</u>      |  |      |
| 10cm x 10cm        | (wound contact pad 6cm x 6cm + border 2cm)     | 2.29 |
| 12.5cm x 12.5cm    | (wound contact pad 8.5cm x 8.5cm + border 2cm) | 3.79 |
| 15cm x 15cm        | (wound contact pad 10cm x 10cm + border 2.5cm) | 4.56 |
| 20cm x 20cm        | (wound contact pad 14cm x 14cm + border 3cm)   | 7.12 |
| <u>Rectangular</u> |  |      |
| 12cm x 20cm        | (wound contact pad 8cm x 16cm + border 2cm)    | 3.80 |

## Part III (d) Appliances – Dressings / Wound Management Dressings

### Hydrocolloid Dressing - Thin - Semi-permeable - Sterile - With Adhesive Border

#### Tegaderm Hydrocolloid Thin

##### Oval

|             |  |      |
|-------------|--|------|
| 10cm x 12cm | (wound contact pad 7cm x 9cm + border 1.5cm)   | 1.58 |
| 13cm x 15cm | (wound contact pad 10cm x 12cm + border 1.5cm) | 2.95 |

### Hydrocolloid Dressing - Thin - Semi-permeable - Sterile - Without Adhesive Border

#### Comfeel Plus Transparent

##### Square

|             |      |
|-------------|------|
| 10cm x 10cm | 1.34 |
| 15cm x 15cm | 3.49 |
| 20cm x 20cm | 3.57 |

##### Rectangular

|             |      |
|-------------|------|
| 5cm x 7cm   | 0.70 |
| 5cm x 15cm  | 1.66 |
| 5cm x 25cm  | 2.70 |
| 9cm x 14cm  | 2.55 |
| 9cm x 25cm  | 3.62 |
| 15cm x 20cm | 3.54 |

#### CovaWound Hydrocolloid Thin/Transparent

##### Square

|             |      |
|-------------|------|
| 10cm x 10cm | 0.72 |
| 15cm x 15cm | 1.82 |

##### Rectangular

|             |      |
|-------------|------|
| 5cm x 7cm   | 0.42 |
| 5cm x 10cm  | 0.44 |
| 10cm x 15cm | 1.01 |
| 10cm x 25cm | 2.10 |

#### DuoDERM Extra Thin

##### Rectangular

|            |      |
|------------|------|
| 5cm x 10cm | 0.79 |
| 9cm x 15cm | 1.86 |
| 9cm x 25cm | 2.97 |
| 9cm x 35cm | 4.15 |

##### Square

|               |      |
|---------------|------|
| 7.5cm x 7.5cm | 0.84 |
| 10cm x 10cm   | 1.39 |
| 15cm x 15cm   | 3.00 |

#### Flexigran Thin

##### Square

|             |      |
|-------------|------|
| 10cm x 10cm | 1.08 |
|-------------|------|

#### Hydraseal

##### Square

|               |      |            |
|---------------|------|------------|
| 7.5cm x 7.5cm | 0.45 | <b>NEW</b> |
| 10cm x 10cm   | 0.75 | <b>NEW</b> |
| 15cm x 15cm   | 2.40 | <b>NEW</b> |

#### Hydrocoll Thin Film

##### Square

|               |      |
|---------------|------|
| 7.5cm x 7.5cm | 0.74 |
| 10cm x 10cm   | 1.22 |
| 15cm x 15cm   | 2.75 |

#### kliniderm Hydrocolloid Thin

##### Square

|               |      |
|---------------|------|
| 7.5cm x 7.5cm | 0.55 |
| 10cm x 10cm   | 0.69 |
| 15cm x 15cm   | 1.59 |
| 20cm x 20cm   | 2.69 |

#### NU-DERM

|             |      |
|-------------|------|
| 10cm x 10cm | 1.07 |
|-------------|------|

#### Spirit Thin Hydrocolloid

##### Square

|               |      |
|---------------|------|
| 5cm x 5cm     | 0.35 |
| 7.5cm x 7.5cm | 0.50 |
| 10cm x 10cm   | 0.80 |

## Part III (d) Appliances – Dressings / Wound Management Dressings

---

**Tegaderm Hydrocolloid Thin**  
Square 10cm x 10cm 1.58

### Hydrogel Dressing – Sterile

Indications: Dry "sloughy" or necrotic wounds; lightly exudating wounds; granulating wounds.

Precautions: Not suitable for heavily-exudating wounds. Care should be taken to choose the appropriate secondary dressing.

|                                  |           |       |   |
|----------------------------------|-----------|-------|---|
| <b>ActivHeal Hydrogel</b>        | 8g        | 1.23  |   |
|                                  | 15g       | 1.41  |   |
| <b>Cutimed Gel</b>               | 8g        | 1.77  |   |
|                                  | 15g       | 2.16  |   |
|                                  | 25g       | 3.18  |   |
| <b>Flamozil Hydrocolloid Gel</b> | 50g       | 6.45  |   |
| <b>Flexigran Gel</b>             | 15g       | 1.90  |   |
| <b>Granudacyn Wound Gel</b>      | 100g      | 19.13 |   |
|                                  | 250g      | 30.09 |   |
| <b>Granugel Hydrocolloid Gel</b> | 15g       | 2.45  |   |
| <b>IntraSite Gel</b>             | 8g        | 1.92  | ↑ |
|                                  | 15g       | 2.58  | ↑ |
|                                  | 25g       | 3.82  | ↑ |
| <b>Iodoflex Paste</b>            | 5g        | 4.34  |   |
|                                  | 10g       | 8.66  |   |
|                                  | 17g       | 13.72 |   |
| <b>Iodosorb Ointment</b>         | 10g tube  | 4.79  |   |
|                                  | 20g tube  | 9.57  |   |
| <b>Iodosorb Powder</b>           | 3g sachet | 2.05  |   |
| <b>Nu-Gel</b>                    | 15g       | 2.13  |   |
| <b>Octenilin Wound Gel</b>       | 20ml      | 4.78  |   |
|                                  | 250ml     | 25.21 |   |
| <b>Prontosan Wound Gel</b>       | 30ml      | 6.71  |   |
| <b>Prontosan Wound Gel X</b>     | 50g       | 12.29 |   |
|                                  | 250g      | 32.89 |   |
| <b>Purilon Gel</b>               | 8g        | 1.85  | ↑ |
|                                  | 15g       | 2.42  | ↑ |
| <b>Spirit Amorphous Hydrogel</b> | 15g       | 1.23  |   |
| <b>SurgihoneyRO</b>              | 20g tube  | 9.12  |   |
|                                  | 50g tube  | 22.80 |   |

## Part III (d) Appliances – Dressings / Wound Management Dressings

|   |  |                    |      |
|---|--|--------------------|------|
| <b>Hydrogel Sheet<br/>With Adhesive Border<br/>Cutimed HydroControl</b> | <u>Square</u>                                    | 4.5cm x 4.5cm      | 1.01 |
|   |  | 7.5cm x 7.5cm      | 1.84 |
|   |  | 10cm x 10cm        | 2.30 |
|   |  | 15cm x 15cm        | 4.43 |
| <b>Hydrosorb Comfort</b>  | <u>Square</u>                                    | 12.5cm x 12.5cm    | 3.79 |
|   | <u>Rectangular</u>                               | 4.5cm x 6.5cm      | 1.96 |
|   |  | 7.5cm x 10cm       | 2.61 |
| <b>KerraLite Cool Adhesive</b>  | <u>Square</u>                                    | 8cm x 8cm          | 2.07 |
|   |  | 11cm x 11cm        | 2.77 |
|   |  | 15cm x 15cm        | 4.41 |
| <b>L-Mesitran Border</b>  | <u>Square</u>                                    |                    |      |
| 10cm x 10cm   | (wound contact pad 5.8cm x 5.8cm + border 2.1cm) |                    | 2.76 |
| <b>Without Adhesive Border<br/>ActiFormCool</b>                         | <u>Square</u>                                    | 10cm x 10cm        | 2.77 |
|   |  | 20cm x 20cm        | 8.34 |
|   | <u>Rectangular</u>                               | 5cm x 6.5cm        | 1.89 |
|   |  | 10cm x 15cm        | 3.98 |
|   |  |                    |      |
| <b>Aquaflor</b>   | <u>Discs</u>                                     | 7.5cm              | 2.60 |
|   |  | 12cm               | 5.37 |
|   |  |                    |      |
| <b>Coolie</b>   | <u>Disc</u>                                      | 7cm Diameter       | 1.96 |
| <b>Cutimed Sorbact Gel</b>  | <u>Square</u>                                    | 7.5cm x 7.5cm      | 2.79 |
|   | <u>Rectangular</u>                               | 7.5cm x 15cm       | 4.71 |
| <b>Gel FX</b>   | <u>Square</u>                                    | 10cm x 10cm        | 1.60 |
| <b>Geliperm</b>   |  | 15cm x 15cm        | 3.20 |
|   | <u>Square</u>                                    | 10cm x 10cm        | 2.53 |
| <b>Hydrosorb</b>  | <u>Square</u>                                    | 10cm x 10cm        | 2.37 |
|   |  | 20cm x 20cm        | 7.11 |
|   | <u>Rectangular</u>                               | 5cm x 7.5cm        | 1.66 |
| <b>IntraSite Conformable</b>  | <u>Square</u>                                    | 10cm x 10cm (7.5g) | 1.92 |
|   | <u>Rectangular</u>                               | 10cm x 20cm (15g)  | 2.60 |
|   |  | 10cm x 40cm (30g)  | 4.64 |
| <b>KerraLite Cool Non-Adhesive</b>                                      | <u>Square</u>                                    | 6cm x 6cm          | 1.79 |
|   | <u>Rectangular</u>                               | 8.5cm x 12cm       | 2.64 |
|   |  | 18cm x 12.5cm      | 3.82 |



## Part III (d) Appliances – Dressings / Wound Management Dressings

|  |                    |                                |                |
|--|--------------------|--------------------------------|----------------|
| <b>L-Mesitran Hydro</b>                      | <u>Square</u>      | 10cm x 10cm                    | 2.65           |
| <b>L-Mesitran Net</b>                        | <u>Square</u>      | 10cm x 10cm                    | 2.55           |
| <b>Luofucon Hydrogel</b> see Spirit Hydrogel |                    |                                |                |
| <b>Novogel</b>                               | <u>Square</u>      | 10cm x 10cm                    | 3.18           |
|  |                    | 30cm x 30cm (0.15cm thickness) | 12.71          |
|  |                    | 30cm x 30cm (0.30cm thickness) | 13.47          |
|  | <u>Rectangular</u> | 5cm x 7.5cm                    | 1.99           |
|  |                    | 15cm x 20cm                    | 6.07           |
|  |                    | 20cm x 40cm                    | 11.56          |
|  |                    | <u>Circular</u>                | 7.5cm Diameter |
|  |                    | <b>pack of 2</b>               |                |
|  |                    | <b>each</b>                    |                |
| <b>SanoSkin NET</b>                          |                    | 8.5cm x 12cm                   | 2.28           |
| <b>Spirit Hydrogel</b>                       | <u>Rectangular</u> | 5.5cm x 9cm                    | 1.35           |
|  | <u>Square</u>      | 10cm x 10cm                    | 1.51           |
| <b>Vacunet</b>                               | <u>Square</u>      | 10cm x 10cm                    | 1.93           |
|  | <u>Rectangular</u> | 10cm x 15cm                    | 2.86           |
| <b>Liquid Dressing</b>                       |                    |                                |                |
| <b>Cavilon Advanced</b>                      |                    | 0.7ml                          | 6.99           |
|  |                    | 2.7ml                          | 10.59          |
| <b>Non-Adherent Polyester Film Dressing</b>  |                    |                                |                |
| <b>Kendall Telfa Clear</b>                   |                    | 7.5cm x 7.5cm                  | 1.60           |
|  |                    | 10cm x 12.5cm                  | 1.68           |
|  |                    | 30cm x 30cm                    | 2.33           |
|  |                    | 30cm x 60cm                    | 2.96           |
| <b>Polysaccharide Wound Dressing</b>         |                    |                                |                |
| <b>Nanogen Aktigel</b>                       |                    | 15ml                           | 15.10          |
|  |                    | 90ml                           | 70.00          |
| <b>Nanogen Aktiv</b>                         |                    | 3cm x 3cm                      | 22.40          |
|  |                    | 5cm x 5cm                      | 41.20          |
|  |                    | 8cm x 8cm                      | 61.40          |
|  |                    | 10cm x 10cm                    | 75.00          |
|  |                    | 10cm x 20cm                    | 120.00         |

## Part III (d) Appliances – Dressings / Wound Management Dressings

### Polyurethane Foam Film Dressing - Sterile - With Adhesive Border Light to medium exudating wounds

#### CovaWound Non-Adherent Foam with Border

|                    |             |  |      |
|--------------------|-------------|--|------|
| <u>Square</u>      | 10cm x 10cm | (wound contact pad 5cm x 5cm + border 5cm)   | 0.80 |
|                    | 15cm x 15cm | (wound contact pad 10cm x 10cm + border 5cm) | 1.14 |
| <u>Rectangular</u> | 10cm x 20cm | (wound contact pad 5cm x 15cm + border 5cm)  | 1.91 |
|                    | 15cm x 20cm | (wound contact pad 10cm x 15cm + border 5cm) | 2.98 |

#### † Tielle

|                    |             |  |      |
|--------------------|-------------|--|------|
| <u>Square</u>      | 11cm x 11cm | (wound contact pad 7cm x 7cm + border 2cm)   | 2.40 |
|                    | 15cm x 15cm | (wound contact pad 11cm x 11cm + border 2cm) | 3.92 |
|                    | 18cm x 18cm | (wound contact pad 14cm x 14cm + border 2cm) | 4.99 |
| <u>Rectangular</u> | 7cm x 9cm   | (wound contact pad 3cm x 5cm + border 2cm)   | 1.29 |
|                    | 15cm x 20cm | wound contact pad 11cm x 16cm + border 2cm)  | 4.90 |

#### † Tielle Sacrum

|               |             |  |      |
|---------------|-------------|--|------|
| <u>Square</u> | 18cm x 18cm | (wound contact pad 12cm x 10cm + border 3 - 5cm) | 3.63 |
|---------------|-------------|--|------|

### Polyurethane Foam Film Dressing - Sterile - Without Adhesive Border Light to medium exudating wounds

|                               |                    |                 |      |   |
|-------------------------------|--------------------|-----------------|------|---|
| <b>Advazorb Lite</b>          | <u>Square</u>      | 7.5cm x 7.5 cm  | 0.73 | ↑ |
|                               |                    | 10cm x 10cm     | 1.02 | ↑ |
|                               |                    | 12.5cm x 12.5cm | 1.50 | ↑ |
|                               |                    | 15cm x 15cm     | 1.98 | ↑ |
|                               |                    | 20cm x 20cm     | 3.54 | ↑ |
|                               |                    | 10cm x 20cm     | 3.16 | ↑ |
| <b>PolyMem</b>                | <u>Finger/Toe</u>  | Size 1          | 2.52 |   |
|                               |                    | Size 2          | 2.52 |   |
|                               |                    | Size 3          | 2.52 |   |
|                               |                    | Size 4          | 3.01 |   |
|                               |                    | Size 5          | 3.27 |   |
|                               | <u>Tube</u>        | 7cm x 7cm       | 1.73 |   |
|                               |                    | 9cm x 9cm       | 2.19 |   |
|                               |                    |                 |      |   |
| <b>Transorbent (adhesive)</b> | <u>Square</u>      | 10cm x 10cm     | 2.04 |   |
|                               |                    | 15cm x 15cm     | 3.75 |   |
|                               |                    | 20cm x 20cm     | 5.99 |   |
|                               | <u>Rectangular</u> | 5cm x 7cm       | 1.08 |   |

† to be deleted 1 October 2021

## Part III (d) Appliances – Dressings / Wound Management Dressings

### Polyurethane Foam Film Dressing - Sterile - With Adhesive Border Lightly to non-exuding wounds

#### PolyMem

|        |           |   |      |
|--------|-----------|---|------|
| Square | 5cm x 5cm | (wound contact pad 2.5cm x 2.5cm + border 1.25cm) | 0.52 |
|--------|-----------|---|------|

#### † Tielle Lite

##### Square

|             |  |      |
|-------------|--|------|
| 11cm x 11cm | (wound contact pad 7cm x 7cm + border 2cm) | 2.33 |
|-------------|--|------|

##### Rectangular

|           |  |      |
|-----------|--|------|
| 7cm x 9cm | (wound contact pad 3cm x 5cm + border 2cm) | 1.23 |
|-----------|--|------|

|            |   |      |
|------------|---|------|
| 8cm x 15cm | (wound contact pad 4cm x 11cm + border 2cm) | 2.86 |
|------------|---|------|

|            |   |      |
|------------|---|------|
| 8cm x 20cm | (wound contact pad 4cm x 16cm + border 2cm) | 3.03 |
|------------|---|------|

### Polyurethane Foam Film Dressing - Sterile - With Adhesive Border Moderate to heavily exuding wounds

#### ActivHeal Foam Adhesive

##### Square

|               |   |      |
|---------------|---|------|
| 7.5cm x 7.5cm | (wound contact pad 5cm x 5cm + border 1.25cm) | 1.18 |
|---------------|---|------|

|             |  |      |
|-------------|--|------|
| 10cm x 10cm | (wound contact pad 6.25cm x 6.25cm + border 1.875cm) | 1.63 |
|-------------|--|------|

|                 |  |      |
|-----------------|--|------|
| 12.5cm x 12.5cm | (wound contact pad 7.5cm x 7.5cm + border 2.5cm) | 1.68 |
|-----------------|--|------|

|             |  |      |
|-------------|--|------|
| 15cm x 15cm | (wound contact pad 11cm x 11cm + border 2cm) | 2.15 |
|-------------|--|------|

|             |  |      |
|-------------|--|------|
| 20cm x 20cm | (wound contact pad 13.5cm x 13.5cm + border 3cm) | 4.50 |
|-------------|--|------|

#### ‡ ActivHeal Foam Contact

##### Square

|               |   |      |
|---------------|---|------|
| 7.5cm x 7.5cm | (wound contact pad 5cm x 5cm + border 1.25cm) | 1.29 |
|---------------|---|------|

|             |   |      |
|-------------|---|------|
| 10cm x 10cm | (wound contact pad 7.5cm x 7.5cm + border 1.25cm) | 1.89 |
|-------------|---|------|

|                 |   |      |
|-----------------|---|------|
| 12.5cm x 12.5cm | (wound contact pad 10cm x 10cm + border 1.25cm) | 2.18 |
|-----------------|---|------|

|             |  |      |
|-------------|--|------|
| 20cm x 20cm | (wound contact pad 17cm x 17cm + border 1.5cm) | 6.05 |
|-------------|--|------|

##### Rectangular

|             |  |      |
|-------------|--|------|
| 10cm x 20cm | (wound contact pad 7.5cm x 17.5cm + border 1.25cm) | 2.70 |
|-------------|--|------|

##### Sacral

|               |  |      |
|---------------|--|------|
| 18cm x 18.5cm | (wound contact pad 13cm x 14.5cm + border 2cm-2.5cm) | 3.20 |
|---------------|--|------|

#### ActivHeal PHMB Foam Adhesive

##### Square

|               |  |      |
|---------------|--|------|
| 7.5cm x 7.5cm |  | 2.31 |
|---------------|--|------|

|             |  |      |
|-------------|--|------|
| 10cm x 10cm |  | 4.08 |
|-------------|--|------|

|                 |  |      |
|-----------------|--|------|
| 12.5cm x 12.5cm |  | 4.77 |
|-----------------|--|------|

|             |  |      |
|-------------|--|------|
| 15cm x 15cm |  | 6.75 |
|-------------|--|------|

|             |  |       |
|-------------|--|-------|
| 20cm x 20cm |  | 10.19 |
|-------------|--|-------|

##### Rectangular

|             |  |      |
|-------------|--|------|
| 10cm x 20cm |  | 6.75 |
|-------------|--|------|

##### Sacral

|               |  |      |
|---------------|--|------|
| 18cm x 18.5cm |  | 8.14 |
|---------------|--|------|

#### Allevyn Adhesive (Adhesive faced pad)

##### Square

|               |   |      |   |
|---------------|---|------|---|
| 7.5cm x 7.5cm | (wound contact pad 5cm x 5cm + border 1.25cm) | 1.59 | ↑ |
|---------------|---|------|---|

|             |   |      |   |
|-------------|---|------|---|
| 10cm x 10cm | (wound contact pad 7.5cm x 7.5cm + border 1.25cm) | 2.33 | ↑ |
|-------------|---|------|---|

|                 |   |      |   |
|-----------------|---|------|---|
| 12.5cm x 12.5cm | (wound contact pad 10cm x 10cm + border 1.25cm) | 2.85 | ↑ |
|-----------------|---|------|---|

|                 |   |      |   |
|-----------------|---|------|---|
| 17.5cm x 17.5cm | (wound contact pad 15cm x 15cm + border 1.25cm) | 5.61 | ↑ |
|-----------------|---|------|---|

|                 |   |      |   |
|-----------------|---|------|---|
| 22.5cm x 22.5cm | (wound contact pad 20cm x 20cm + border 1.25cm) | 8.18 | ↑ |
|-----------------|---|------|---|

##### Rectangular

|                 |  |      |   |
|-----------------|--|------|---|
| 12.5cm x 22.5cm | (wound contact pad 10cm x 20cm + border 2cm) | 4.43 | ↑ |
|-----------------|--|------|---|

##### Anatomically Shaped Sacral Dressing

|             |  |      |   |
|-------------|--|------|---|
| 17cm x 17cm | (wound contact pad 13cm x 13cm + border 2cm) | 4.22 | ↑ |
|-------------|--|------|---|

|             |  |      |   |
|-------------|--|------|---|
| 22cm x 22cm | (wound contact pad 18cm x 18cm + border 2cm) | 6.08 | ↑ |
|-------------|--|------|---|

† to be deleted 1 October 2021

‡ to be deleted 1 December 2021



## Part III (d) Appliances – Dressings / Wound Management Dressings

### Biatain Adhesive

#### Square

|                 |  |      |   |
|-----------------|--|------|---|
| 7.5cm x 7.5cm   | (wound contact pad 4cm x 4cm + border 1.75cm)                | 1.12 | ↑ |
| 10cm x 10cm     | (circular wound contact pad 6cm diameter + irregular border) | 1.87 | ↑ |
| 12.5cm x 12.5cm | (wound contact pad 8cm x 8cm + border 2.25cm)                | 2.72 | ↑ |
| 15cm x 15cm     | (wound contact pad 10cm x 10cm + border 2.5cm)               | 4.04 | ↑ |
| 18cm x 18cm     | (wound contact pad 13cm x 13cm + border 2.5cm)               | 5.49 | ↑ |

#### Sacral

|             |   |      |   |
|-------------|---|------|---|
| 17cm x 17cm | (wound contact pad 9.5cm x 9.5cm + border 3.75cm) | 2.47 | ↑ |
| 23cm x 23cm | (wound contact pad 13cm x 13cm + border 5cm)      | 4.70 | ↑ |

#### Heel Dressing

|             |  |      |   |
|-------------|--|------|---|
| 19cm x 20cm | (wound contact pad 12cm x 13cm + border 3.5cm) | 5.49 | ↑ |
|-------------|--|------|---|

#### Contour

|               |   |      |   |
|---------------|---|------|---|
| 17cm diameter | (wound contact pad 8cm diameter + irregular border) | 5.28 | ↑ |
|---------------|---|------|---|

#### Rectangular

|             |  |      |   |
|-------------|--|------|---|
| 18cm x 28cm | (wound contact pad 10cm x 20cm + border 4cm) | 8.13 | ↑ |
|-------------|--|------|---|

#### Circular

see under 'Square' with circular pad

### ComfiHEAL

#### Square

|               |  |      |
|---------------|--|------|
| 7.5cm x 7.5cm | (wound contact pad 3.8cm x 3.8cm + border 1.85cm)  | 1.22 |
| 10cm x 10cm   | (wound contact pad 6.4cm x 6.4cm + border 1.8cm)   | 1.89 |
| 15cm x 15cm   | (wound contact pad 11.4cm x 11.4cm + border 1.8cm) | 3.38 |

### Kendall AMD Foam Island

#### Square

|               |       |
|---------------|-------|
| 8.9cm x 8.9cm | 3.11  |
| 14cm x 14cm   | 6.44  |
| 19cm x 19cm   | 12.38 |

#### Rectangular

|               |      |
|---------------|------|
| 4.4cm x 8.3cm | 2.50 |
| 8.9cm x 14cm  | 4.90 |

### Kendall Foam Island

#### Square

|             |  |      |
|-------------|--|------|
| 10cm x 10cm | (wound contact pad 5cm x 5cm + 2.5cm border)   | 1.54 |
| 15cm x 15cm | (wound contact pad 10cm x 10cm + 2.5cm border) | 2.90 |
| 20cm x 20cm | (wound contact pad 15cm x 15cm + 2.5cm border) | 5.46 |

### kliniderm Foam Border

#### Square

|                 |      |
|-----------------|------|
| 7.5cm x 7.5cm   | 0.75 |
| 10cm x 10cm     | 0.80 |
| 12.5cm x 12.5cm | 1.50 |
| 15cm x 15cm     | 1.75 |

### Moderex Border

#### Square

|             |      |
|-------------|------|
| 10cm x 10cm | 1.00 |
| 15cm x 15cm | 1.50 |
| 20cm x 20cm | 2.00 |

## Part III (d) Appliances – Dressings / Wound Management Dressings

### PolyMem

Square see PolyMem Max

#### Rectangular

|               |                 |  |      |
|---------------|-----------------|--|------|
|               | 8.9cm x 11.4cm  | (wound contact pad 5cm x 7.6cm + border 1.9cm)         | 2.18 |
| <u>Oval</u>   | 5cm x 7.6cm     | (wound contact pad 2.5cm x 5cm + irregular border)     | 1.16 |
|               | 8.8cm x 12.7cm  | (wound contact pad 5cm x 7.6cm + irregular border)     | 2.06 |
|               | 16.5cm x 20.9cm | (wound contact pad 10.1cm x 14.6cm + irregular border) | 6.79 |
| <u>Sacral</u> | 18.4cm x 20cm   | (wound contact pad 11.4cm x 12cm + border 3.5-4cm)     | 4.56 |

### PolyMem Max

#### Square

|  |                 |  |      |
|--|-----------------|--|------|
|  | 13.3cm x 13.3cm | (wound contact pad 9cm x 9cm + border 2.2cm) | 2.93 |
|--|-----------------|--|------|

### Tegaderm Foam Adhesive

#### Square

|  |                 |  |      |
|--|-----------------|--|------|
|  | 14.3cm x 14.3cm | (wound contact pad 10cm x 10cm + border 2cm) | 3.60 |
|--|-----------------|--|------|

#### Oval

|  |                 |   |      |
|--|-----------------|---|------|
|  | 6.9cm x 7.6cm   | (wound contact pad 3.1cm x 3.8cm + border 0.35cm) | 1.49 |
|  | 10cm x 11cm     | (wound contact pad 6cm x 7.6cm + border 1.7-2cm)  | 2.42 |
|  | 14.3cm x 15.6cm | (wound contact pad 10cm x 11cm + border 2cm)      | 4.32 |
|  | 19cm x 22.2cm   | (wound contact pad 14cm x 17.1cm + border 2.5cm)  | 7.09 |

#### Circular (Heel)

|  |                 |  |      |
|--|-----------------|--|------|
|  | 13.9cm x 13.9cm | (wound contact pad 7.6cm x 7.6cm + border 3.2cm) | 4.30 |
|--|-----------------|--|------|

#### Soft Cloth Border

|  |               |   |      |
|--|---------------|---|------|
|  | 6.9cm x 6.9cm | (wound contact pad 2.5cm x 2.5cm + border 0.95cm) | 1.74 |
|--|---------------|---|------|

### † Tielle Plus

#### Square

|  |             |  |      |
|--|-------------|--|------|
|  | 11cm x 11cm | (wound contact pad 7cm x 7cm + border 2cm)   | 2.66 |
|  | 15cm x 15cm | (wound contact pad 11cm x 11cm + border 2cm) | 4.34 |

#### Rectangular

|  |             |  |      |
|--|-------------|--|------|
|  | 15cm x 20cm | (wound contact pad 11cm x 16cm + border 2cm) | 5.45 |
|--|-------------|--|------|

#### Sacrum

|  |             |   |      |
|--|-------------|---|------|
|  | 15cm x 15cm | (wound contact pad 7.2cm x 10cm + border 2.5-5.3cm) | 3.17 |
|--|-------------|---|------|

### † Tielle Plus Heel Hydropolymer Adhesive Dressing

#### Heel Dressing

|  |               |  |      |
|--|---------------|--|------|
|  | 20cm x 26.5cm | (wound contact pad 14.5cm x 14.5cm + irregular border) | 4.50 |
|--|---------------|--|------|

### Xtrasorb Foam Adhesive

#### Square

|  |                 |  |      |
|--|-----------------|--|------|
|  | 8cm x 8cm       | (wound contact pad 5cm x 5cm + border 1.5cm)     | 1.52 |
|  | 11.5cm x 11.5cm | (wound contact pad 7.3cm x 7.3cm + border 2.1cm) | 2.43 |
|  | 15.5cm x 15.5cm | (wound contact pad 11cm x 11cm + border 2.25cm)  | 3.44 |

† to be deleted 1 October 2021

## Part III (d) Appliances – Dressings / Wound Management Dressings

### Polyurethane Foam Film Dressing - Sterile - Without Adhesive Border Moderate to heavily exuding wounds

|   |                          |                           |      |   |
|---|--------------------------|---------------------------|------|---|
| <b>365 Foam</b>                         | <u>Square</u>            | 7.5cm x 7.5cm             | 0.63 |   |
|   |                          | 10cm x 10cm               | 0.99 |   |
|   |                          | 15cm x 15cm               | 2.00 |   |
|   | <u>Rectangular</u>       | 10cm x 20cm               | 2.00 |   |
| <b>ActivHeal Foam</b>                   | <u>Heel</u>              | 18cm x 12cm               | 3.48 |   |
| <b>ActivHeal Non-Adhesive Foam</b>      | <u>Square</u>            | 5cm x 5cm                 | 0.75 |   |
|   |                          | 10cm x 10cm               | 1.13 |   |
|   |                          | 20cm x 20cm               | 3.92 |   |
|   | <u>Rectangular</u>       | 10cm x 20cm               | 2.34 |   |
| <b>ActivHeal PHMB Foam Non-Adhesive</b> | <u>Square</u>            | 5cm x 5cm                 | 1.92 |   |
|   |                          | 7.5cm x 7.5cm             | 3.17 |   |
|   |                          | 10cm x 10cm               | 3.99 |   |
|   |                          | 15cm x 15cm               | 6.69 |   |
|   |                          | 20cm x 20cm               | 9.80 |   |
|   | <u>Rectangular</u>       | 10cm x 20cm               | 6.69 |   |
| <b>ActivHeal Tracheostomy Foam</b>      | <u>Square</u>            | 10cm x 10cm (fenestrated) | 1.46 |   |
| <b>Advazorb</b>                         | <u>Square</u>            | 5cm x 5cm                 | 0.68 | ↑ |
|   |                          | 7.5cm x 7.5cm             | 0.82 | ↑ |
|   |                          | 10cm x 10cm               | 1.13 | ↑ |
|   |                          | 12.5cm x 12.5cm           | 1.66 | ↑ |
|   |                          | 20cm x 20cm               | 3.93 | ↑ |
|   |                          | 15cm x 15cm               | 2.20 | ↑ |
|   |                          | 10cm x 20cm               | 3.51 | ↑ |
|   | <u>Rectangular</u>       | 10cm x 20cm               | 3.51 | ↑ |
| <b>Advazorb Heel</b>                    | <u>Heel</u>              | 17cm x 21cm               | 4.97 | ↑ |
| <b>Allevyn Non-Adhesive</b>             | <u>Square</u>            | 5cm x 5cm                 | 1.34 | ↑ |
|   |                          | 10cm x 10cm               | 2.66 | ↑ |
|   |                          | 20cm x 20cm               | 7.13 | ↑ |
|   | <u>Rectangular</u>       | 10cm x 20cm               | 4.27 | ↑ |
|   | <u>Heel (Cup Shaped)</u> | 10.5cm x 13.5cm           | 5.44 | ↑ |
| <b>Askina Foam</b>                      | <u>Square</u>            | 10cm x 10cm               | 2.30 |   |
|   |                          | 20cm x 20cm               | 6.07 |   |
|   | <u>Rectangular</u>       | 10cm x 20cm               | 3.64 |   |
| <b>Askina Heel</b>                      | <u>Heel</u>              | 12cm x 20cm               | 4.92 |   |
| <b>Biatain-Ibu Non-Adhesive</b>         | <u>Square</u>            | 15cm x 15cm               | 5.54 | ↑ |
|   |                          | 20cm x 20cm               | 9.43 | ↑ |
|   | <u>Rectangular</u>       | 5cm x 7cm                 | 1.83 | ↑ |
|   |                          | 10cm x 12cm               | 3.52 | ↑ |
|   |                          | 10cm x 22.5cm             | 5.54 | ↑ |

## Part III (d) Appliances – Dressings / Wound Management Dressings

|   |                    |                             |             |      |
|---|--------------------|-----------------------------|-------------|------|
| <b>Biatain-Ibu Soft-Hold</b>                        | <u>Square</u>      | 15cm x 15cm                 | 5.54        | ↑    |
|   | <u>Rectangular</u> | 10cm x 12cm                 | 3.52        | ↑    |
|   |                    | 10cm x 22.5cm               | 5.54        | ↑    |
| <b>Biatain Non-Adhesive</b>                         | <u>Square</u>      | 10cm x 10cm                 | 2.53        | ↑    |
|   |                    | 15cm x 15cm                 | 4.66        | ↑    |
|   |                    | 20cm x 20cm                 | 6.93        | ↑    |
|   | <u>Rectangular</u> | 5cm x 7cm                   | 1.39        | ↑    |
|   |                    | 10cm x 20cm                 | 4.18        | ↑    |
| <b>Biatain Soft-Hold Dressing</b>                   | <u>Square</u>      | 10cm x 10cm                 | 2.75        | ↑    |
|   |                    | 15cm x 15cm                 | 4.57        | ↑    |
|   | <u>Rectangular</u> | 5cm x 7cm                   | 1.39        | ↑    |
|   |                    | 10cm x 20cm                 | 4.18        | ↑    |
| <b>CovaWound Non-Adherent Foam</b>                  | <u>Square</u>      | 5cm x 5cm                   | 0.47        |      |
|   |                    | 10cm x 10cm                 | 0.78        |      |
|   |                    | 15cm x 15cm                 | 1.54        |      |
|   |                    | 20cm x 20cm                 | 2.50        |      |
|   |                    | <u>Heel</u>                 | 10cm x 13cm | 2.40 |
|   | <b>GenaFoam</b>    | <u>Heel</u>                 | 14cm x 23cm | 4.99 |
| <b>Kendall AMD Antimicrobial foam dressing</b>      | <u>Square</u>      | 5cm x 5cm                   | 2.53        |      |
|   |                    | 10cm x 10cm                 | 4.76        |      |
|   |                    | 15cm x 15cm                 | 9.02        |      |
|   |                    | 20cm x 20cm                 | 13.21       |      |
|   | <u>Rectangular</u> | 8.8cm x 7.5cm (fenestrated) | 4.28        |      |
|   |                    | 10cm x 20cm                 | 9.02        |      |
| <b>Kendall AMD Antimicrobial Plus foam dressing</b> | <u>Square</u>      | 10cm x 10cm                 | 5.00        |      |
|   | <u>Rectangular</u> | 8.8cm x 7.5cm (fenestrated) | 4.48        |      |
| <b>Kendall Foam</b>                                 | <u>Square</u>      | 5cm x 5cm                   | 0.72        |      |
|   |                    | 7.5cm x 7.5cm               | 1.23        |      |
|   |                    | 10cm x 10cm                 | 1.07        |      |
|   |                    | 12.5cm x 12.5cm             | 1.82        |      |
|   |                    | 15cm x 15cm                 | 2.63        |      |
|   |                    | 20cm x 20cm                 | 3.04        |      |
|   | <u>Rectangular</u> | 8.5cm x 7.5cm fenestrated   | 0.92        |      |
|   |                    | 10cm x 20cm                 | 2.07        |      |
|   |                    |                             |             |      |
| <b>Kendall Foam Plus</b>                            | <u>Square</u>      | 5cm x 5cm                   | 0.82        |      |
|   |                    | 7.5cm x 7.5cm               | 1.43        |      |
|   |                    | 10cm x 10cm                 | 1.48        |      |
|   |                    | 15cm x 15cm                 | 3.42        |      |
|   |                    | 20cm x 20cm                 | 4.08        |      |
|   | <u>Rectangular</u> | 8.5cm x 7.5cm fenestrated   | 1.26        |      |
|   | 10cm x 20cm        | 2.72                        |             |      |
| <b>Kerraheel</b>                                    | <u>Heel</u>        | 12cm x 20cm                 | 4.78        |      |

## Part III (d) Appliances – Dressings / Wound Management Dressings

|                                     |                    |                             |             |            |  |
|-------------------------------------|--------------------|-----------------------------|-------------|------------|--|
| <b>kliniderm Foam</b>               | <u>Square</u>      | 5cm x 5cm                   | 0.45        |            |  |
|                                     |                    | 10cm x 10cm                 | 0.69        |            |  |
|                                     |                    | 15cm x 15cm                 | 1.53        |            |  |
|                                     | <u>Rectangular</u> | 20cm x 20cm                 | 2.35        |            |  |
|                                     |                    | <u>Heel</u>                 | 10cm x 18cm | 1.63       |  |
|                                     |                    |                             |             | 1.99       |  |
| <b>Lyof foam Max</b>                | <u>Square</u>      | 10cm x 10cm                 | 1.19        |            |  |
|                                     |                    | 15cm x 15cm                 | 2.24        |            |  |
|                                     |                    | 20cm x 20cm                 | 4.16        |            |  |
|                                     | <u>Rectangular</u> | 7.5cm x 8.5cm               | 1.14        |            |  |
|                                     |                    | 10cm x 20cm                 | 2.10        |            |  |
|                                     |                    | 15cm x 20cm                 | 2.83        |            |  |
| <b>Lyof foam Max T</b>              | <u>Square</u>      | 9cm x 9cm                   | 1.25        |            |  |
| <b>Moderex Non-Adhesive</b>         | <u>Square</u>      | 10cm x 10cm                 | 0.90        | <b>NEW</b> |  |
|                                     |                    | 15cm x 15cm                 | 1.70        | <b>NEW</b> |  |
|                                     | <u>Shaped</u>      | 10cm x 13cm                 | 3.00        | <b>NEW</b> |  |
| <b>PermaFoam Classic</b>            | <u>Square</u>      | 8cm x 8cm (fenestrated)     | 1.33        |            |  |
| <b>PolyMem</b>                      | <u>Square</u>      | 8cm x 8cm                   | 1.60        |            |  |
|                                     |                    | 10cm x 10cm                 | 2.49        |            |  |
|                                     |                    | 13cm x 13cm                 | 4.15        |            |  |
|                                     | <u>Rectangular</u> | 17cm x 19cm                 | 6.13        |            |  |
|                                     |                    | <u>Roll</u>                 | 10cm x 61cm | 13.20      |  |
|                                     |                    |                             | 20cm x 60cm | 31.13      |  |
| <b>PolyMem Max</b>                  | <u>Square</u>      | 11cm x 11cm                 | 2.99        |            |  |
|                                     |                    | 20cm x 20cm                 | 11.77       |            |  |
| <b>Spirit Foam</b>                  | <u>Square</u>      | 10cm x 10cm                 | 1.55        |            |  |
|                                     |                    | 10cm x 13cm                 | 1.09        |            |  |
|                                     | <u>Heel</u>        | 10.5cm x 17cm               | 1.54        |            |  |
| <b>Tegaderm Foam</b>                | <u>Square</u>      | 8.8cm x 8.8cm (Fenestrated) | 2.27        |            |  |
|                                     |                    | 10cm x 10cm                 | 2.23        |            |  |
|                                     |                    | 20cm x 20cm                 | 6.03        |            |  |
|                                     | <u>Rectangular</u> | 10cm x 20cm                 | 3.78        |            |  |
|                                     |                    | 10cm x 60cm                 | 12.77       |            |  |
|                                     |                    |                             |             |            |  |
| <b>† Tielle Essential Heel Foam</b> | <u>Heel</u>        | 12cm x 18cm                 | 3.48        |            |  |
| <b>† Tielle Non Adhesive</b>        | <u>Square</u>      | 5cm x 5cm                   | 1.22        |            |  |
|                                     |                    | 10cm x 10cm                 | 2.21        |            |  |
|                                     |                    | 15cm x 15cm                 | 3.74        |            |  |
|                                     |                    | 17.5cm x 17.5cm             | 5.61        |            |  |
|                                     |                    | 21cm x 22cm                 | 6.01        |            |  |
|                                     | <u>Rectangular</u> |                             |             |            |  |
| <b>Xtrasorb Foam Non-Adhesive</b>   | <u>Square</u>      | 5cm x 5cm                   | 1.13        |            |  |
|                                     |                    | 20cm x 20cm                 | 5.05        |            |  |
|                                     | <u>Rectangular</u> | 10cm x 12cm                 | 2.33        |            |  |

† to be deleted 1 October 2021

## Part III (d) Appliances – Dressings / Wound Management Dressings

### Polyurethane Matrix Dressing

Indications: Light to medium exudating wounds

#### Without Adhesive Border

|                       |                    |             |      |   |
|-----------------------|--------------------|-------------|------|---|
| <b>Cutinova Hydro</b> | <u>Square</u>      | 10cm x 10cm | 2.71 | ↑ |
|                       | <u>Rectangular</u> | 5cm x 6cm   | 1.35 | ↑ |
|                       |                    | 15cm x 20cm | 5.74 | ↑ |

### Protease Modulating Matrix – Sterile

|                                 |   |       |
|---------------------------------|---|-------|
| <b>1 Primary Wound Dressing</b> | 10ml spray (approximate coverage 378cm <sup>2</sup> ) | 25.00 |
|                                 | 17ml spray (approximate coverage 640cm <sup>2</sup> ) | 42.24 |

|                           |   |      |
|---------------------------|---|------|
| <b>Abilar Resin Salve</b> | 20g tube (approximate coverage 200cm <sup>2</sup> ) | 8.17 |
|---------------------------|---|------|

|                            |               |             |      |
|----------------------------|---------------|-------------|------|
| <b>ActivHeal Aquafiber</b> | <u>Square</u> | 5cm x 5cm   | 0.62 |
|                            |               | 10cm x 10cm | 1.48 |
|                            |               | 15cm x 15cm | 2.79 |

|                               |               |              |      |
|-------------------------------|---------------|--------------|------|
| <b>ActivHeal Aquafiber Ag</b> | <u>Square</u> | 5cm x 5cm    | 1.67 |
|                               |               | 10cm x 10cm  | 3.98 |
|                               |               | 15cm x 15cm  | 7.50 |
|                               | <u>Rope</u>   | 2.7cm x 32cm | 4.05 |

|                                  |                    |             |                |      |
|----------------------------------|--------------------|-------------|----------------|------|
| <b>ActivHeal Aquafiber Extra</b> | <u>Square</u>      | 5cm x 5cm   | 0.60           |      |
|                                  |                    | 10cm x 10cm | 1.44           |      |
|                                  |                    | 15cm x 15cm | 2.71           |      |
|                                  | <u>Rectangular</u> | 20cm x 30cm | 7.98           |      |
|                                  |                    | <u>Rope</u> | 2.5cm x 30.5cm | 1.74 |
|                                  |                    | 2cm x 46cm  | 1.81           |      |

|                   |                    |             |       |   |
|-------------------|--------------------|-------------|-------|---|
| <b>Aquacel Ag</b> | <u>Square</u>      | 5cm x 5cm   | 2.10  | ↑ |
|                   |                    | 10cm x 10cm | 4.99  | ↑ |
|                   |                    | 15cm x 15cm | 9.40  | ↑ |
|                   | <u>Rectangular</u> | 4cm x 10cm  | 3.00  |   |
|                   |                    | 4cm x 20cm  | 3.91  |   |
|                   |                    | 4cm x 30cm  | 5.86  |   |
|                   |                    | 20cm x 30cm | 23.32 | ↑ |

|                         |                    |             |       |
|-------------------------|--------------------|-------------|-------|
| <b>Aquacel Ag Extra</b> | <u>Square</u>      | 5cm x 5cm   | 2.08  |
|                         |                    | 10cm x 10cm | 4.94  |
|                         |                    | 15cm x 15cm | 9.31  |
|                         | <u>Rectangular</u> | 20cm x 30cm | 23.09 |

## Part III (d) Appliances – Dressings / Wound Management Dressings

|  |                    |   |        |  |
|--|--------------------|---|--------|--|
| <b>Aquacel Ag+ Extra</b>                   | <u>Square</u>      | 5cm x 5cm   | 2.05   |  |
|  |                    | 10cm x 10cm   | 4.88   |  |
|  |                    | 15cm x 15cm   | 9.21   |  |
|  | <u>Rectangular</u> | 20cm x 30cm   | 22.85  |  |
|  |                    | 4cm x 10cm  | 2.98   |  |
|  |                    | 4cm x 20cm  | 3.88   |  |
|  |                    | 4cm x 30cm  | 5.81   |  |
| <b>Aquacel Extra</b>                       | <u>Square</u>      | 5cm x 5cm   | 1.05   |  |
|  |                    | 10cm x 10cm   | 2.52   |  |
|  |                    | 15cm x 15cm   | 4.72   |  |
|  | <u>Rectangular</u> | 4cm x 10cm  | 1.35   |  |
|  |                    | 4cm x 20cm  | 2.01   |  |
|  |                    | 4cm x 30cm  | 3.02   |  |
|  |                    |   |        |  |
| <b>Biatain Fiber</b>                       | <u>Square</u>      | 5cm x 5cm   | 1.00   |  |
|  |                    | 10cm x 10cm   | 2.38   |  |
|  |                    | 15cm x 15cm   | 4.47   |  |
| <b>† Biosorb Gelling Fibre</b>             | <u>Square</u>      | 5cm x 5cm   | 0.80   |  |
|  |                    | 10cm x 10cm   | 1.91   |  |
|  |                    | 15cm x 15cm   | 3.60   |  |
|  | <u>Ribbon</u>      | 2cm x 45cm  | 1.97   |  |
|  |                    |   |        |  |
| <b>Cadesorb</b>                            |                    | 20g tube (approximate coverage 120cm <sup>2</sup> ) | 9.83 ↑ |  |
| <b>Catrix</b>                              |                    | 1g sachet   | 3.80   |  |
| <b>ConvaMax Superabsorber Adhesive</b>     | <u>Square</u>      | 15cm x 15cm   | 4.05   |  |
|  |                    | 20cm x 20cm   | 6.08   |  |
| <b>ConvaMax Superabsorber Non Adhesive</b> | <u>Square</u>      | 7.5cm x 7.5cm                                       | 0.98   |  |
|  |                    | 10cm x 10cm   | 1.23   |  |
|  |                    | 12.5cm x 12.5cm                                     | 1.42   |  |
|  |                    | 15cm x 15cm   | 1.61   |  |
|  |                    | 20cm x 20cm   | 2.71   |  |
|  | <u>Rectangular</u> | 10cm x 20cm   | 1.56   |  |
|  |                    | 15cm x 20cm   | 2.08   |  |
|  |                    | 20cm x 30cm   | 3.23   |  |
|  |                    | 20cm x 40cm   | 3.74   |  |
|  |                    |   |        |  |
|  |                    |   |        |  |
| <b>CovaWound SuperAbsorbent</b>            | <u>Square</u>      | 10cm x 10cm   | 0.33   |  |
|  |                    | 15cm x 15cm   | 0.66   |  |
|  |                    | 20cm x 20cm   | 1.16   |  |
|  | <u>Rectangular</u> | 5cm x 7.5cm   | 0.19   |  |
|  |                    | 12cm x 20cm   | 0.73   |  |
|  |                    | 20cm x 30cm   | 1.70   |  |
|  |                    |   |        |  |
| <b>C-Sorb</b>                              | <u>Square</u>      | 7.5cm x 7.5cm                                       | 0.58   |  |
|  |                    | 10cm x 10cm   | 0.65   |  |
|  |                    | 20cm x 20cm   | 1.80   |  |
|  | <u>Rectangular</u> | 10cm x 20cm   | 0.98   |  |
|  |                    | 15cm x 25cm   | 1.85   |  |
|  |                    | 20cm x 30cm   | 2.20   |  |

† to be deleted 1 October 2021

## Part III (d) Appliances – Dressings / Wound Management Dressings

|  |                    |                      |       |
|--|--------------------|----------------------|-------|
| <b>Curea P1</b>                          | <u>Square</u>      | 7.5cm x 7.5cm        | 1.50  |
|  |                    | 10cm x 10cm          | 1.56  |
|  |                    | 15cm x 15cm          | 3.38  |
|  | <u>Rectangular</u> | 20cm x 20cm          | 4.03  |
|  |                    | 10cm x 20cm          | 2.08  |
|  |                    | 10cm x 30cm          | 3.32  |
| <b>Curea P1 Border</b>                   | <u>Square</u>      | 16cm x 16cm          | 4.03  |
|  |                    | 15cm x 25cm          | 6.05  |
|  | <u>Rectangular</u> |                      |       |
| <b>Curea P1 drain</b>                    | <u>Square</u>      | 12cm x 12cm          | 2.67  |
| <b>Curea P2 (Non-Adherent)</b>           | <u>Rectangular</u> | 10cm x 20cm          | 3.12  |
|  |                    | 20cm x 30cm          | 7.28  |
|  | <u>Square</u>      | 11cm x 11cm          | 2.12  |
|  |                    | 15cm x 15cm          | 4.94  |
|  |                    | 20cm x 20cm          | 5.59  |
| <b>Cutimed Epiona</b>                    | <u>Square</u>      | 5cm x 5cm            | 4.76  |
|  |                    | 10cm x 10cm          | 13.38 |
| <b>Cutimed Sorbion Sachet Border</b>     | <u>Square</u>      | 10cm x 10cm          | 3.10  |
|  |                    | 15cm x 15cm          | 4.73  |
| <b>Cutimed Sorbion Sachet Extra</b>      | <u>Rectangular</u> | 25cm x 15cm          | 7.36  |
|  |                    | 5cm x 5cm            | 1.53  |
|  | <u>Square</u>      | 7.5cm x 7.5cm        | 1.87  |
|  |                    | 10cm x 10cm          | 2.37  |
|  |                    | 20cm x 20cm          | 7.37  |
|  |                    | 20cm x 10cm          | 3.93  |
|  |                    | 30cm x 20cm          | 10.51 |
| <b>Cutimed Sorbion Sachet Multi Star</b> | <u>Square</u>      | 8cm x 8cm            | 3.15  |
|  |                    | 14cm x 14cm          | 5.15  |
| <b>Cutimed Sorbion Sachet S</b>          | <u>Square</u>      | 10cm x 10cm drainage | 2.78  |
|  |                    | 7.5cm x 7.5cm        | 1.00  |
|  |                    | 10cm x 10cm          | 1.57  |
|  |                    | 15cm x 15cm          | 3.10  |
|  |                    | 20cm x 20cm          | 3.67  |
|  | <u>Rectangular</u> | 12cm x 5cm           | 1.31  |
|  |                    | 10cm x 20cm          | 2.09  |
|  |                    | 20cm x 30cm          | 5.25  |
| <b>Cutimed Sorbion Sachet XL</b>         | <u>Rectangular</u> | 45cm x 25cm          | 15.78 |
| <b>Cutimed Sorbion Sana Gentle</b>       | <u>Square</u>      | 8.5cm x 8.5cm        | 2.09  |
|  |                    | 12cm x 12cm          | 2.62  |
|  |                    | 12cm x 22cm          | 4.73  |
|  |                    | 22cm x 22cm          | 8.41  |
|  |                    | 32cm x 22cm          | 11.57 |
| <b>Cutimed Sorbion Sorbact</b>           | <u>Square</u>      | 10cm x 10cm          | 5.94  |
|  |                    | 20cm x 20cm          | 16.07 |
|  | <u>Rectangular</u> | 10cm x 20cm          | 9.28  |
|  |                    | 20cm x 30cm          | 24.10 |



## Part III (d) Appliances – Dressings / Wound Management Dressings

---

|                           |                    |               |       |
|---------------------------|--------------------|---------------|-------|
| <b>Cutisorb Ultra</b>     | <u>Square</u>      | 10cm x 10cm   | 2.13  |
|                           |                    | 20cm x 20cm   | 6.68  |
|                           | <u>Rectangular</u> | 10cm x 20cm   | 3.56  |
|                           |                    | 20cm x 30cm   | 10.06 |
| <b>CytaSan</b>            | <u>Square</u>      | 5cm x 5cm     | 0.95  |
|                           |                    | 10cm x 10cm   | 2.25  |
|                           |                    | 15cm x 15cm   | 4.20  |
|                           | <u>Ribbon</u>      | 2.5cm x 45cm  | 2.27  |
| <b>Cytasorb</b>           | <u>Square</u>      | 10cm x 10cm   | 2.14  |
|                           |                    | 15cm x 15cm   | 3.97  |
|                           |                    | 20cm x 20cm   | 5.50  |
|                           | <u>Rectangular</u> | 20cm x 30cm   | 9.01  |
|                           |                    | 20cm x 40cm   | 10.80 |
| <b>Drawtex</b>            |                    | 5cm x 5cm     | 0.95  |
|                           |                    | 7.5cm x 7.5cm | 1.77  |
|                           |                    | 10cm x 10cm   | 2.24  |
|                           |                    | 15cm x 20cm   | 6.00  |
|                           |                    | 20cm x 20cm   | 6.98  |
|                           |                    | 7.5cm x 1m    | 15.50 |
|                           |                    | 10cm x 1m     | 16.00 |
|                           |                    | 20cm x 1m     | 25.00 |
|                           |                    | 10cm x 1.3m   | 16.00 |
| <b>DryMax Extra Soft</b>  | <u>Square</u>      | 10cm x 10cm   | 0.88  |
|                           |                    | 20cm x 20cm   | 1.87  |
|                           | <u>Rectangular</u> | 10cm x 20cm   | 1.05  |
|                           |                    | 20cm x 30cm   | 2.36  |
|                           |                    | 37cm x 56cm   | 4.86  |
| <b>Durafiber</b>          | <u>Square</u>      | 5cm x 5cm     | 0.97  |
|                           |                    | 10cm x 10cm   | 2.30  |
|                           |                    | 15cm x 15cm   | 4.33  |
|                           | <u>Rectangular</u> | 4cm x 10cm    | 1.24  |
|                           |                    | 4cm x 20cm    | 1.82  |
|                           |                    | 4cm x 30cm    | 2.73  |
|                           |                    | 2cm x 45cm    | 2.33  |
| <b>Durafiber Ag</b>       | <u>Square</u>      | 5cm x 5cm     | 1.88  |
|                           |                    | 10cm x 10cm   | 4.47  |
|                           |                    | 15cm x 15cm   | 8.41  |
|                           | <u>Rectangular</u> | 2cm x 45cm    | 4.48  |
|                           |                    | 4cm x 10cm    | 2.72  |
|                           |                    | 4cm x 20cm    | 3.54  |
|                           |                    | 4cm x 30cm    | 5.30  |
|                           |                    | 20cm x 30cm   | 20.85 |
| <b>Eclipse Non-Backed</b> | <u>Square</u>      | 10cm x 10cm   | 0.73  |
|                           |                    | 20cm x 20cm   | 1.48  |
|                           | <u>Rectangular</u> | 10cm x 20cm   | 0.96  |
|                           |                    | 20cm x 30cm   | 2.15  |

## Part III (d) Appliances – Dressings / Wound Management Dressings

|  |   |                 |       |
|--|---|-----------------|-------|
| <b>Exufiber</b>                                  | <u>Square</u>                                       | 5cm x 5cm       | 0.86  |
|  |   | 10cm x 10cm     | 2.08  |
|  |   | 15cm x 15cm     | 3.90  |
|  | <u>Rectangular</u>                                  | 4.5cm x 10cm    | 1.13  |
|  |   | 4.5cm x 20cm    | 1.66  |
|  |   | 4.5cm x 30cm    | 2.51  |
|  |   | 20cm x 30cm     | 9.05  |
| <b>Exufiber Ag+</b>                              | <u>Square</u>                                       | 5cm x 5cm       | 1.89  |
|  |   | 10cm x 10cm     | 4.47  |
|  |   | 15cm x 15cm     | 8.45  |
|  | <u>Rectangular</u>                                  | 4.5cm x 10cm    | 2.73  |
|  |   | 4.5cm x 20cm    | 3.54  |
|  |   | 4.5cm x 30cm    | 5.32  |
|  |   | 20cm x 30cm     | 20.85 |
| <b>FarlaFIBRE</b>                                | <u>Square</u>                                       | 5cm x 5cm       | 0.57  |
|  |   | 10cm x 10cm     | 1.36  |
|  |   | 15cm x 15cm     | 2.56  |
| <b>FarlaSORB</b>                                 | <u>Square</u>                                       | 10cm x 10cm     | 0.32  |
|  |   | 20cm x 20cm     | 1.09  |
|  | <u>Rectangular</u>                                  | 10cm x 20cm     | 0.70  |
|  |   | 15cm x 20cm     | 0.88  |
|  |   | 20cm x 30cm     | 1.49  |
|  |   | 40cm x 60cm     | 5.60  |
| <b>Flaminal Forte</b>                            | 15g tube (approximate coverage 40cm <sup>2</sup> )  | 8.06            |       |
|  | 50g tube (approximate coverage 130cm <sup>2</sup> ) | 26.70           |       |
| <b>Flaminal Hydro</b>                            | 15g tube (approximate coverage 40cm <sup>2</sup> )  | 8.06            |       |
|  | 50g tube (approximate coverage 130cm <sup>2</sup> ) | 26.70           |       |
| <b>Flivasorb Adhesive see Vliwasorb Adhesive</b> |   |                 |       |
| <b>KerraCel</b>                                  | <u>Square</u>                                       | 5cm x 5cm       | 0.60  |
|  |   | 10cm x 10cm     | 1.44  |
|  |   | 15cm x 15cm     | 2.71  |
|  | <u>Ribbon</u>                                       | 2.5cm x 45cm    | 1.91  |
| <b>KerraMaxCare</b>                              | <u>Square</u>                                       | 5cm x 5cm       | 1.01  |
|  |   | 10cm x 10cm     | 1.31  |
|  | <u>Rectangular</u>                                  | 6.5cm x 8cm     | 1.21  |
|  |   | 10cm x 22cm     | 1.71  |
|  |   | 13.5cm x 15.5cm | 1.55  |
|  |   | 20cm x 22cm     | 3.02  |
|  |   | 20cm x 30cm     | 3.45  |
|  |   | 20cm x 50cm     | 4.61  |
| <b>KerraMaxCare Border Adhesive</b>              | <u>Square</u>                                       | 16cm x 16cm     | 4.45  |
|  |   | 26cm x 26cm     | 10.11 |
|  | <u>Rectangular</u>                                  | 16cm x 26cm     | 7.03  |
| <b>KerraMaxCare Multisite</b>                    |   | 21cm x 23cm     | 3.31  |

## Part III (d) Appliances – Dressings / Wound Management Dressings

|  |                    |   |       |
|--|--------------------|---|-------|
| <b>kliniderm superabsorbent</b>                    | <u>Square</u>      | 10cm x 10cm                                       | 0.49  |
|  |                    | 20cm x 20cm                                       | 0.99  |
|  | <u>Rectangular</u> | 10cm x 15cm                                       | 0.69  |
|  |                    | 10cm x 20cm                                       | 0.85  |
|  |                    | 20cm x 30cm                                       | 1.49  |
|  |                    | 20cm x 40cm                                       | 1.99  |
| <b>KytoCel</b>                                     | <u>Square</u>      | 5cm x 5cm   | 0.81  |
|  |                    | 10cm x 10cm                                       | 1.93  |
|  |                    | 15cm x 15cm                                       | 3.63  |
|  | <u>Rectangular</u> | 4cm x 10cm  | 1.04  |
|  |                    | 4cm x 20cm  | 1.52  |
|  |                    | 4cm x 30cm  | 2.29  |
|  |                    | 2.5cm x 45cm                                      | 1.95  |
|  |                    |   |       |
| <b>Medihoney Antibacterial Honey Apinate</b>       | <u>Square</u>      | 5cm x 5cm   | 2.04  |
|  |                    | 10cm x 10cm                                       | 3.46  |
| <b>Medihoney HCS</b>                               | <u>Square</u>      | 6cm x 6cm   | 2.28  |
|  |                    | 11cm x 11cm                                       | 4.55  |
|  |                    | 20cm x 20cm                                       | 18.38 |
|  | <u>Rectangular</u> | 20cm x 30cm                                       | 28.59 |
|  |                    |   |       |
| <b>Medihoney HCS Surgical with Adhesive Border</b> |                    | 7.5cm x 20cm                                      | 3.11  |
| <b>Medihoney HCS with Adhesive Border</b>          | <u>Square</u>      | 11cm x 11cm                                       | 3.12  |
|  |                    | 15cm x 15cm                                       | 5.90  |
| <b>Mextra Superabsorbent</b>                       | <u>Square</u>      | 12.5cm x 12.5cm                                   | 1.25  |
|  |                    | 12.5cm x 17.5cm                                   | 1.51  |
|  | <u>Rectangular</u> | 12.5cm x 22.5cm                                   | 1.73  |
|  |                    | 17.5cm x 22.5cm                                   | 2.44  |
|  |                    | 22.5cm x 27.5cm                                   | 2.99  |
|  |                    | 22.5cm x 32.5cm                                   | 3.85  |
|  |                    | 22.5cm x 42.5cm                                   | 4.20  |
|  |                    |   |       |
| <b>Proheal</b>                                     | <u>Square</u>      | 5.1cm x 5.1cm                                     | 4.68  |
|  |                    | 10.2cm x 10.2cm                                   | 12.48 |
| <b>Promogran</b>                                   |                    | 28cm <sup>2</sup> (matrix is hexagonal in shape)  | 5.29  |
|  |                    | 123cm <sup>2</sup> (matrix is hexagonal in shape) | 15.92 |
| <b>Promogran Prisma</b>                            |                    | 28cm <sup>2</sup> (matrix is hexagonal in shape)  | 6.43  |
|  |                    | 123cm <sup>2</sup> (matrix is hexagonal in shape) | 18.31 |
| <b>Silvercel non-adherent</b>                      | <u>Square</u>      | 5cm x 5cm   | 1.64  |
|  |                    | 11cm x 11cm                                       | 3.93  |
|  | <u>Rectangular</u> | 10cm x 20cm                                       | 7.33  |
| <b>Suprasorb C</b>                                 | <u>Rectangular</u> | 4cm x 6cm   | 4.87  |
|  |                    | 6cm x 8cm   | 7.52  |
|  |                    | 8cm x 12cm  | 13.57 |
| <b>Suprasorb Liquacel</b>                          | <u>Square</u>      | 5cm x 5cm   | 0.88  |
|  |                    | 10cm x 10cm                                       | 2.10  |
|  |                    | 15cm x 15cm                                       | 3.94  |
|  | <u>Rope</u>        | 2cm x 45cm  | 2.18  |
|  |                    |   |       |

## Part III (d) Appliances – Dressings / Wound Management Dressings

|   |                    |                 |       |
|---|--------------------|-----------------|-------|
| † Tegaderm Superabsorber                            | <u>Square</u>      | 10cm x 10cm     | 0.98  |
|   |                    | 20cm x 20cm     | 2.29  |
|   | <u>Rectangular</u> | 20cm x 30cm     | 2.61  |
| UrgoClean Ag  | <u>Square</u>      | 6cm x 6cm       | 1.98  |
|   |                    | 10cm x 10cm     | 4.51  |
|   | <u>Rectangular</u> | 15cm x 20cm     | 8.50  |
| UrgoClean Pad                                       | <u>Square</u>      | 6cm x 6cm       | 0.99  |
|   |                    | 10cm x 10cm     | 2.21  |
|   |                    | 15cm x 15cm     | 4.00  |
|   | <u>Rectangular</u> | 20cm x 15cm     | 4.16  |
| UrgoStart plus                                      | <u>Square</u>      | 6cm x 6cm       | 4.45  |
|   |                    | 10cm x 10cm     | 6.16  |
|   | <u>Rectangular</u> | 15cm x 20cm     | 11.08 |
| UrgoStart plus Pad                                  | <u>Square</u>      | 6cm x 6cm       | 3.42  |
|   |                    | 10cm x 10cm     | 5.01  |
|   | <u>Rectangular</u> | 15cm x 20cm     | 11.22 |
| UrgoStart plus Border                               | <u>Square</u>      | 8cm x 8cm       | 5.19  |
|   |                    | 10cm x 10cm     | 6.15  |
|   |                    | 13cm x 13cm     | 8.61  |
|   | <u>Rectangular</u> | 15cm x 20cm     | 11.07 |
|   | <u>Sacrum</u>      | 20cm x 20cm     | 14.87 |
| Vliwasorb Adhesive<br>(Formerly Flivasorb Adhesive) | <u>Square</u>      | 12cm x 12cm     | 3.48  |
|   |                    | 15cm x 15cm     | 4.70  |
|   | <u>Rectangular</u> | 15cm x 25cm     | 6.81  |
| Vliwasorb Pro                                       | <u>Square</u>      | 12.5cm x 12.5cm | 0.92  |
|   |                    | 22cm x 22cm     | 1.94  |
|   | <u>Rectangular</u> | 12.5cm x 22.5cm | 1.08  |
|   |                    | 22cm x 32cm     | 2.45  |
| Xtrasorb HCS  | <u>Square</u>      | 6cm x 6cm       | 1.16  |
|   |                    | 11cm x 11cm     | 2.22  |
|   |                    | 20cm x 20cm     | 6.57  |
| Xtrasorb HCS Adhesive                               | <u>Square</u>      | 8cm x 8cm       | 1.52  |
|   |                    | 15cm x 15cm     | 3.34  |
| Zetuvit Plus  |                    | 10cm x 10cm     | 0.86  |
|   |                    | 10cm x 20cm     | 1.19  |
|   |                    | 15cm x 20cm     | 1.36  |
|   |                    | 20cm x 25cm     | 1.86  |
|   |                    | 20cm x 40cm     | 2.88  |
| Zetuvit Plus Silicone                               | <u>Square</u>      | 8cm x 8cm       | 1.50  |
|   |                    | 12.5cm x 12.5cm | 2.25  |
|   |                    | 20cm x 20cm     | 5.50  |
|   | <u>Rectangular</u> | 10cm x 20cm     | 2.75  |
|   |                    | 20cm x 25cm     | 6.10  |

† to be deleted 1 October 2021

### Part III (d) Appliances – Dressings / Wound Management Dressings

---

|                                     |                    |                 |      |
|-------------------------------------|--------------------|-----------------|------|
| <b>Zetuvit Plus Silicone Border</b> | <u>Square</u>      | 10cm x 10cm     | 1.48 |
|                                     |                    | 12.5cm x 12.5cm | 2.20 |
|                                     |                    | 17.5cm x 17.5cm | 4.00 |
|                                     | <u>Rectangular</u> | 15cm x 25cm     | 5.50 |
|                                     |                    | 20cm x 25cm     | 5.95 |
| <b>Zorflex</b>                      | <u>Square</u>      | 10cm x 10cm     | 2.38 |
|                                     | <u>Rectangular</u> | 10cm x 20cm     | 4.55 |
|                                     |                    | 15cm x 25cm     | 7.58 |
| <b>Zorflex LA</b>                   | <u>Square</u>      | 10.5cm x 10.5cm | 3.15 |
|                                     | <u>Rectangular</u> | 15cm x 25cm     | 9.95 |
|                                     |                    | 20cm x 10cm     | 6.25 |

## Part III (d) Appliances – Dressings / Wound Management Dressings

### Scar Treatment Preparations

#### Silicone Gel Sheet

Indications: For prevention treatment – Keloid and Hypertrophic scars.

|                        |                    |                 |        |   |
|------------------------|--------------------|-----------------|--------|---|
| <b>Advasil Conform</b> | <u>Square</u>      | 10cm x 10cm     | 5.44   | ↑ |
|                        | <u>Rectangular</u> | 10cm x 15cm     | 9.60   | ↑ |
| <b>Bapscarcare S</b>   | <u>Rectangular</u> | 5cm x 20cm      | 19.91  |   |
|                        |                    | 10cm x 15cm     | 25.02  |   |
|                        |                    | 15cm x 20cm     | 35.23  |   |
| <b>Bapscarcare T</b>   | <u>Rectangular</u> | 5cm x 7cm       | 3.22   |   |
|                        |                    | 5cm x 30cm      | 9.19   |   |
|                        |                    | 10cm x 15cm     | 9.19   |   |
| <b>Cica-Care</b>       | <u>Rectangular</u> | 6cm x 12cm      | 15.59  | ↑ |
|                        |                    | 15cm x 12cm     | 30.40  | ↑ |
| <b>Ciltech</b>         | <u>Square</u>      | 10cm x 10cm     | 7.50   |   |
|                        |                    | 15cm x 15cm     | 14.00  |   |
|                        | <u>Rectangular</u> | 10cm x 20cm     | 12.50  |   |
| <b>Dermatix Clear</b>  | <u>Square</u>      | 13cm x 13cm     | 15.79  |   |
|                        | <u>Rectangular</u> | 4cm x 13cm      | 6.88   |   |
|                        |                    | 13cm x 25cm     | 28.53  |   |
|                        |                    | 20cm x 30cm     | 51.97  |   |
| <b>Dermatix Fabric</b> | <u>Square</u>      | 13cm x 13cm     | 15.79  |   |
|                        | <u>Rectangular</u> | 4cm x 13cm      | 6.88   |   |
|                        |                    | 13cm x 25cm     | 28.53  |   |
|                        |                    | 20cm x 30cm     | 51.97  |   |
| <b>Mepiform</b>        | <u>Rectangular</u> | 5cm x 7cm       | 3.63   |   |
|                        |                    | 9cm x 18cm      | 14.20  |   |
|                        |                    | 4cm x 31cm      | 11.47  |   |
| <b>Oleeva Fabric</b>   | <u>Square</u>      | 13cm x 13cm     | 15.74  |   |
|                        | <u>Rectangular</u> | 4cm x 13cm      | 6.83   |   |
|                        |                    | 13cm x 25cm     | 28.48  |   |
|                        |                    | 20cm x 30cm     | 51.92  |   |
| <b>Scar Fx</b>         | <u>Rectangular</u> | 10cm x 20cm     | 16.00  |   |
|                        |                    | 25.5cm x 30.5cm | 60.00  |   |
|                        |                    | 3.75cm x 22.5cm | 12.00  |   |
|                        | <u>Shaped</u>      | 7.5cm Diameter  | 8.50   |   |
|                        |                    | 22.5cm x 14.5cm | 12.00  |   |
|                        |                    |                 |        |   |
| <b>Silgel</b>          | <u>Square</u>      | 10cm x 10cm     | 13.50  |   |
|                        |                    | 20cm x 20cm     | 40.00  |   |
|                        |                    | 40cm x 40cm     | 144.00 |   |
|                        | <u>Rectangular</u> | 10cm x 5cm      | 7.50   |   |
|                        |                    | 15cm x 10cm     | 19.50  |   |
|                        |                    | 30cm x 5cm      | 19.50  |   |
|                        |                    | 10cm x 30cm     | 31.50  |   |
|                        | <u>Shaped</u>      | 5cm Diameter    | 4.00   |   |
|                        |                    | 5.5cm Diameter  | 4.00   |   |
|                        |                    | 25cm x 15cm     | 21.12  |   |
|                        | 46cm x 8.5cm       | 39.46           |        |   |

## Part III (d) Appliances – Dressings / Wound Management Dressings

---

### Silicone Topical Cream & Gel

Indications: For prevention treatment – Keloid and Hypertrophic scars.

|  |             |       |
|--|-------------|-------|
| <b>Bapscarcare</b>                                 | 20g tube    | 17.36 |
| <b>Bapscarcare Gel SPF</b>                         | 10g tube    | 12.08 |
| <b>Ciltech gel</b>                                 | 15g tube    | 17.50 |
|  | 60g tube    | 50.00 |
| <b>Dermatix</b>                                    | 15g tube    | 16.66 |
|  | 60g tube    | 60.53 |
| <b>Kelo-cote gel</b>                               | 15g tube    | 17.88 |
|  | 60g tube    | 51.00 |
| <b>Kelo-cote spray</b>                             | 100ml spray | 51.00 |
| <b>Kelo-cote UV</b>                                | 15g tube    | 17.88 |
| <b>MediScar Silicone Gel</b>                       | 15g tube    | 8.96  |
|  | 30g tube    | 12.96 |
| <b>Nourisil MD</b>                                 | 30g bottle  | 13.95 |
| <b>Pro-Sil gel</b>                                 | 17g tube    | 15.00 |
| <b>ScarSil gel</b>                                 | 15ml tube   | 10.13 |
|  | 30ml tube   | 15.19 |
| <b>SilDerm Dual Action Scar Gel</b>                | 15g tube    | 14.85 |
| <b>SilDerm Scar Gel</b>                            | 6g tube     | 5.42  |
|  | 15g tube    | 14.05 |
| <b>SilDerm Scar Spray</b>                          | 30ml spray  | 15.41 |
|  | 60ml spray  | 30.82 |
| <b>Silgel STC-SE (gel)</b>                         | 20ml tube   | 19.00 |
| <b>Strataderm</b>                                  | 10g tube    | 8.80  |
|  | 20g tube    | 17.40 |
|  | 50g tube    | 42.00 |
| <b>Topical Cream and Gel (Non-Silicone/Others)</b> |             |       |
| <b>Alhydran</b>                                    | 30ml tube   | 19.40 |
|  | 100ml tube  | 35.74 |
|  | 250ml tube  | 60.24 |
| <b>Alhydran SPF30</b>                              | 59ml tube   | 30.58 |

## Part III (d) Appliances – Dressings / Wound Management Dressings

### Silver Coated Barrier Dressings – Sterile

|                                  |                    |               |       |   |
|----------------------------------|--------------------|---------------|-------|---|
| <b>Acticoat</b>                  | <u>Square</u>      | 5cm x 5cm     | 3.74  | ↑ |
|                                  |                    | 10cm x 10cm   | 9.12  | ↑ |
|                                  | <u>Rectangular</u> | 10cm x 20cm   | 14.26 | ↑ |
|                                  |                    | 20cm x 40cm   | 48.81 | ↑ |
| <b>Acticoat 7</b>                | <u>Square</u>      | 5cm x 5cm     | 6.49  | ↑ |
|                                  |                    | 15cm x 15cm   | 34.77 | ↑ |
|                                  | <u>Rectangular</u> | 10cm x 12.5cm | 19.34 | ↑ |
| <b>Acticoat Flex 3</b>           | <u>Square</u>      | 5cm x 5cm     | 3.73  |   |
|                                  |                    | 10cm x 10cm   | 9.11  |   |
|                                  | <u>Rectangular</u> | 10cm x 20cm   | 14.24 |   |
|                                  |                    | 20cm x 40cm   | 48.74 |   |
| <b>Acticoat Flex 7</b>           | <u>Square</u>      | 5cm x 5cm     | 6.48  |   |
|                                  |                    | 15cm x 15cm   | 34.73 |   |
|                                  | <u>Rectangular</u> | 10cm x 12.5cm | 19.31 |   |
| <b>Acticoat Moisture Control</b> | <u>Square</u>      | 5cm x 5cm     | 7.65  | ↑ |
|                                  |                    | 10cm x 10cm   | 17.88 | ↑ |
|                                  | <u>Rectangular</u> | 10cm x 20cm   | 34.84 | ↑ |
| <b>Askina Calgitrol Ag</b>       | <u>Square</u>      | 10cm x 10cm   | 3.37  |   |
|                                  |                    | 15cm x 15cm   | 6.53  |   |
|                                  |                    | 20cm x 20cm   | 15.22 |   |
|                                  |                    |               |       |   |
| <b>Askina Calgitrol Thin</b>     | <u>Square</u>      | 5cm x 5cm     | 2.07  |   |
|                                  |                    | 10cm x 10cm   | 4.30  |   |
|                                  |                    | 20cm x 20cm   | 17.03 |   |
|                                  |                    |               |       |   |
| <b>KerraContact Ag</b>           | <u>Square</u>      | 5cm x 5cm     | 3.24  |   |
|                                  |                    | 15cm x 15cm   | 13.86 |   |
|                                  | <u>Rectangular</u> | 10cm x 12.5cm | 7.91  |   |
|                                  |                    | 20cm x 40cm   | 42.30 |   |
| <b>Silgen Ag spray</b>           |                    | 5ml           | 17.80 |   |
|                                  |                    | 10ml          | 25.40 |   |
|                                  |                    | 25ml          | 48.20 |   |
|                                  |                    |               |       |   |
| <b>Silverlon Flex</b>            | <u>Square</u>      | 5cm x 5cm     | 3.36  |   |
|                                  |                    | 10cm x 10cm   | 6.60  |   |
|                                  |                    | 20cm x 20cm   | 18.78 |   |
|                                  | <u>Rectangular</u> | 10cm x 20cm   | 10.35 |   |
|                                  |                    |               |       |   |

### Silver Impregnated Polyurethane Foam Film Dressings

#### With Adhesive Border

#### Allevyn Ag Adhesive

|               |                 |   |       |
|---------------|-----------------|---|-------|
| <u>Square</u> | 7.5cm x 7.5cm   | (wound contact pad 5cm x 5cm + border 1.25cm)     | 3.67  |
|               | 10cm x 10cm     | (wound contact pad 7.5cm x 7.5cm + border 1.25cm) | 5.79  |
|               | 12.5cm x 12.5cm | (wound contact pad 10cm x 10cm + border 1.25cm)   | 7.60  |
|               | 17.5cm x 17.5cm | (wound contact pad 15cm x 15cm + border 1.25cm)   | 14.63 |
| <u>Sacral</u> | 17cm x 17cm     | (wound contact pad 13cm x 13cm + border 2cm)      | 11.42 |
|               | 22cm x 22cm     | (wound contact pad 18cm x 18cm + border 2cm)      | 15.30 |



## Part III (d) Appliances – Dressings / Wound Management Dressings

|  |                    |   |         |
|--|--------------------|---|---------|
| <b>Biatain Ag</b>                          |                    |   |         |
| <u>Square</u>                              | 12.5cm x 12.5cm    | (wound contact pad 8cm x 8cm + border 2.25cm)       | 9.84 ↑  |
|  | 18cm x 18cm        | (wound contact pad 13cm x 13cm + border 2.5cm)      | 19.74 ↑ |
| <u>Heel</u>                                | 19cm x 20cm        | (wound contact pad 12cm x 13cm + border 3.5cm)      | 19.47 ↑ |
| <u>Sacral</u>                              | 23cm x 23cm        | (wound contact pad 13cm x 13cm + border 5cm)        | 20.69 ↑ |
| <b>PolyMem Silver</b>                      |                    |   |         |
| <u>Oval</u>                                | 5cm x 7.6cm        | (wound contact pad 2.5cm x 5cm + border 1.25-1.3cm) | 2.29    |
|  | 12.7cm x 8.8cm     | (wound contact pad 7.6cm x 5cm + border 1.9-2.55cm) | 5.64    |
| <b>Without Adhesive Border</b>             |                    |   |         |
| <b>Allevyn Ag Heel</b>                     |                    | 10.5cm x 13.5cm                                     | 11.32   |
| <b>Allevyn Ag Non-Adhesive</b>             |                    | <u>Square</u>                                       |         |
|  |                    | 5cm x 5cm   | 3.43    |
|  |                    | 10cm x 10cm   | 6.46    |
|  |                    | 15cm x 15cm   | 12.25   |
|  |                    | 20cm x 20cm   | 17.94   |
| <b>Biatain Ag</b>                          |                    |   |         |
|  | <u>Square</u>      | 10cm x 10cm   | 8.60 ↑  |
|  |                    | 15cm x 15cm   | 17.27 ↑ |
|  |                    | 20cm x 20cm   | 24.35 ↑ |
|  | <u>Rectangular</u> | 5cm x 7cm   | 3.54 ↑  |
|  |                    | 10cm x 20cm   | 15.81 ↑ |
| <b>Polymem Silver</b>                      |                    |   |         |
|  | <u>Square</u>      | 10.8cm x 10.8cm                                     | 8.93    |
|  | <u>Rectangular</u> | 17cm x 19cm   | 17.89   |
| <b>Silver Paste</b>                        |                    |   |         |
| <b>Askina Calgitrol Paste</b>              |                    | 15g   | 6.90    |
| <b>Soft Polymer Wound Contact Dressing</b> |                    |   |         |
| <b>Cutimed Sorbion Contact</b>             |                    | 7.5cm x 7.5cm                                       | 1.55    |
|  |                    | 10cm x 10cm   | 2.07    |
|  |                    | 10cm x 20cm   | 4.14    |
|  |                    | 20cm x 20cm   | 7.26    |
|  |                    | 20cm x 30cm   | 10.37   |
| <b>Lomatuell Pro</b>                       |                    |   |         |
|  |                    | 5cm x 5cm   | 0.70    |
|  |                    | 10cm x 10cm   | 1.95    |
|  |                    | 10cm x 20cm   | 3.65    |
|  |                    | 10cm x 30cm   | 4.83    |
|  |                    | 15cm x 30cm   | 6.14    |
| <b>Physiotulle</b>                         |                    |   |         |
|  |                    | 10cm x 10cm   | 2.41 ↑  |
|  |                    | 15cm x 20cm   | 7.34 ↑  |
| <b>Tegaderm Contact</b>                    |                    |   |         |
|  |                    | 7.5cm x 10cm  | 2.32    |
|  |                    | 20cm x 25cm   | 11.06   |
| <b>Urgotul</b>                             |                    |   |         |
|  |                    | 5cm x 5cm   | 1.57    |
|  |                    | 10cm x 10cm   | 3.13    |
|  |                    | 10cm x 40cm   | 10.53   |
|  |                    | 15cm x 15cm   | 6.66    |
|  |                    | 15cm x 20cm   | 8.86    |
| <b>UrgotulDuo</b>                          |                    |   |         |
|  |                    | 5cm x 10cm  | 2.58    |
|  |                    | 10cm x 12cm   | 3.98    |
|  |                    | 15cm x 20cm   | 9.25    |
| <b>UrgoStart Contact</b>                   |                    |   |         |
|  |                    | 5cm x 7cm   | 3.07    |
|  |                    | 10cm x 10cm   | 4.33    |
|  |                    | 15cm x 20cm   | 10.34   |

## Part III (d) Appliances – Dressings / Wound Management Dressings

---

### Soft Polymer Wound Contact Dressing Impregnated with Silver

|                       |             |      |
|-----------------------|-------------|------|
| <b>Atrauman Ag</b>    | 5cm x 5cm   | 0.55 |
|                       | 10cm x 10cm | 1.33 |
|                       | 10cm x 20cm | 2.59 |
| <b>Urgotul Silver</b> | 10cm x 12cm | 3.24 |
|                       | 15cm x 20cm | 9.18 |

### Soft Polymer Wound Contact Dressing with Polyurethane Foam Film Backing – Sterile

|                              |                             |       |
|------------------------------|-----------------------------|-------|
| <b>Aquacel Foam Adhesive</b> | 8cm x 8cm                   | 1.47  |
|                              | 8cm x 13cm                  | 2.35  |
|                              | 10cm x 10cm                 | 2.25  |
|                              | 10cm x 20cm                 | 2.74  |
|                              | 10cm x 30cm                 | 5.21  |
|                              | 12.5cm x 12.5cm             | 2.79  |
|                              | 15cm x 15cm                 | 4.04  |
|                              | 17.5cm x 17.5cm             | 5.58  |
|                              | 21cm x 21cm                 | 8.17  |
|                              | 25cm x 30cm                 | 10.58 |
|                              | <u>Heel</u> 19.8cm x 14cm   | 5.71  |
|                              | <u>Sacral</u> 20cm x 16.9cm | 5.12  |
|                              | 24cm x 21.5cm               | 5.73  |

### Aquacel Foam Non-Adhesive

|             |      |
|-------------|------|
| 5cm x 5cm   | 1.41 |
| 10cm x 10cm | 2.66 |
| 10cm x 20cm | 3.68 |
| 15cm x 15cm | 4.48 |
| 15cm x 20cm | 6.12 |
| 20cm x 20cm | 7.30 |

### DryMax Foam

|             |      |
|-------------|------|
| 10cm x 10cm | 2.16 |
| 10cm x 20cm | 4.26 |
| 15cm x 15cm | 3.54 |
| 20cm x 20cm | 6.67 |

### HydroTac

|                              |      |
|------------------------------|------|
| 10cm x 10cm                  | 2.59 |
| 12.5cm x 12.5cm              | 3.75 |
| 15cm x 15cm                  | 4.31 |
| 20cm x 20cm                  | 6.34 |
| <u>Heel</u> 18cm x 18.5cm    | 6.04 |
| <u>Circular</u> 6cm diameter | 1.52 |

### HydroTac Comfort (with adhesive border)

|                           |      |
|---------------------------|------|
| 8cm x 8cm                 | 1.32 |
| 10cm x 20cm               | 3.35 |
| 12.5cm x 12.5cm           | 2.43 |
| 15cm x 15cm               | 3.55 |
| 20cm x 20cm               | 5.58 |
| <u>Sacral</u> 18cm x 18cm | 4.56 |

### UrgoStart

|                         |       |
|-------------------------|-------|
| 6cm x 6cm               | 4.64  |
| 10cm x 10cm             | 6.42  |
| 15cm x 20cm             | 11.54 |
| <u>Heel</u> 12cm x 19cm | 8.84  |

## Part III (d) Appliances – Dressings / Wound Management Dressings

---

|  |               |                 |       |
|--|---------------|-----------------|-------|
| <b>UrgoTul Absorb</b>  |               | 6cm x 6cm       | 1.23  |
|  |               | 10cm x 10cm     | 2.41  |
|  |               | 15cm x 20cm     | 4.26  |
|  | <u>Heel</u>   | 12cm x 19cm     | 4.86  |
| <b>Soft Polymer Wound Contact Dressing with Polyurethane Foam Film Backing<br/>Impregnated with Antimicrobial Agents</b> |               |                 |       |
| <b>Allevyn Ag Gentle</b>   |               | 5cm x 5cm       | 3.49  |
|  |               | 10cm x 10cm     | 6.50  |
|  |               | 10cm x 20cm     | 10.74 |
|  |               | 15cm x 15cm     | 12.09 |
|  |               | 20cm x 20cm     | 17.91 |
| <b>Allevyn Ag Gentle Border</b>  |               | 7.5cm x 7.5cm   | 4.51  |
|  |               | 10cm x 10cm     | 6.78  |
|  |               | 12.5cm x 12.5cm | 8.71  |
|  |               | 17.5cm x 17.5cm | 16.61 |
|  |               |                 | ↑     |
|  |               |                 | ↑     |
|  |               |                 | ↑     |
|  |               |                 | ↑     |
| <b>Aquacel Ag Foam Adhesive</b>  |               | 8cm x 8cm       | 3.59  |
|  |               | 10cm x 10cm     | 5.72  |
|  |               | 12.5cm x 12.5cm | 7.50  |
|  |               | 17.5cm x 17.5cm | 13.82 |
|  |               | 21cm x 21cm     | 19.13 |
|  |               | 25cm x 30cm     | 24.75 |
|  | <u>Heel</u>   | 19.8cm x 14cm   | 12.54 |
|  | <u>Sacral</u> | 20cm x 16.9cm   | 12.48 |
| <b>Aquacel Ag Foam Non-Adhesive</b>  |               | 5cm x 5cm       | 3.45  |
|  |               | 10cm x 10cm     | 6.32  |
|  |               | 15cm x 15cm     | 12.00 |
|  |               | 20cm x 20cm     | 17.57 |
|  |               | 15cm x 20cm     | 13.13 |
| <b>Cutimed Siltec Sorbact</b>  |               | 7.5cm x 7.5cm   | 2.65  |
|  |               | 12.5cm x 12.5cm | 6.78  |
|  |               | 15cm x 15cm     | 8.40  |
|  |               | 17.5cm x 17.5cm | 11.75 |
|  |               | 22.5cm x 22.5cm | 17.88 |
|  | <u>Sacral</u> | 17.5cm x 17.5cm | 8.50  |
|  |               | 23cm x 23cm     | 12.77 |
| <b>Cutimed Sorbact Hydroactive</b>   |               | 7cm x 8.5cm     | 3.87  |
|  |               | 14cm x 14cm     | 5.65  |
|  |               | 19cm x 19cm     | 10.63 |
|  |               | 24cm x 24cm     | 16.12 |
|  |               | 14cm x 24cm     | 9.05  |
| <b>Cutimed Sorbact Hydroactive B</b>   |               | 5cm x 6.5cm     | 4.18  |
|  |               | 10cm x 10cm     | 7.46  |
|  |               | 15cm x 15cm     | 14.04 |
|  |               | 10cm x 20cm     | 11.94 |

## Part III (d) Appliances – Dressings / Wound Management Dressings

---

|                      |                 |       |
|----------------------|-----------------|-------|
| † Tielle PHMB Border | 10cm x 10cm     | 4.10  |
|                      | 12.5cm x 12.5cm | 4.78  |
|                      | 15cm x 15cm     | 6.87  |
|                      | 20cm x 20cm     | 10.60 |

|                            |               |      |
|----------------------------|---------------|------|
| † Tielle PHMB Non Adhesive | 5cm x 5cm     | 1.95 |
|                            | 7.5cm x 7.5cm | 3.25 |
|                            | 10cm x 10cm   | 4.01 |
|                            | 15cm x 15cm   | 6.70 |

### Soft Silicone Wound Contact Dressing – Sterile

Indications: Non-exuding to heavily exuding wounds. Should be covered with a simple absorbent secondary dressing.

Precautions: Dressing should be used with care in heavily bleeding wounds.

|   |             |      |
|---|-------------|------|
| <b>ActivHeal Silicone Wound Contact Layer</b> | 5cm x 7.5cm | 0.89 |
|   | 10cm x 10cm | 2.09 |
|   | 10cm x 20cm | 3.97 |
|   | 15cm x 15cm | 3.81 |

|                      |               |                          |      |
|----------------------|---------------|--------------------------|------|
| <b>Adaptic Digit</b> | <u>Finger</u> | Small 2cm diameter       | 1.48 |
|                      |               | Medium 2.4cm diameter    | 1.60 |
|                      |               | Large 2.8cm diameter     | 1.78 |
|                      |               | Extra Large 3cm diameter | 1.84 |
|                      | <u>Toe</u>    | 2.8cm diameter           | 1.78 |

|                      |               |       |
|----------------------|---------------|-------|
| <b>Adaptic Touch</b> | 5cm x 7.6cm   | 1.13  |
|                      | 7.6cm x 11cm  | 2.25  |
|                      | 12.7cm x 15cm | 4.65  |
|                      | 20cm x 32cm   | 12.50 |

|                      |              |       |
|----------------------|--------------|-------|
| <b>Askina SilNet</b> | 5cm x 7.5cm  | 1.19  |
|                      | 7.5cm x 10cm | 2.40  |
|                      | 10cm x 18cm  | 5.24  |
|                      | 20cm x 30cm  | 12.84 |

|                          |              |       |
|--------------------------|--------------|-------|
| <b>Atrauman Silicone</b> | 5cm x 7cm    | 1.13  |
|                          | 7.5cm x 10cm | 2.27  |
|                          | 10cm x 20cm  | 4.68  |
|                          | 20cm x 30cm  | 12.59 |

|                        |              |       |
|------------------------|--------------|-------|
| <b>Biatain Contact</b> | 5cm x 7.5cm  | 1.10  |
|                        | 7.5cm x 10cm | 2.04  |
|                        | 10cm x 18cm  | 4.56  |
|                        | 18cm x 30cm  | 13.37 |

|                         |              |      |
|-------------------------|--------------|------|
| <b>Cuticell Contact</b> | 5cm x 7.5cm  | 1.15 |
|                         | 7.5cm x 10cm | 2.20 |
|                         | 10cm x 18cm  | 4.58 |
|                         | 15cm x 25cm  | 7.67 |

|                           |             |      |
|---------------------------|-------------|------|
| <b>Dermisplus Contact</b> | 5cm x 5cm   | 0.88 |
|                           | 10cm x 10cm | 1.88 |
|                           | 10cm x 20cm | 4.12 |
|                           | 20cm x 20cm | 7.06 |

† to be deleted 1 October 2021

## Part III (d) Appliances – Dressings / Wound Management Dressings

---

|                           |                 |       |   |
|---------------------------|-----------------|-------|---|
| <b>kliniderm Silicone</b> | 5cm x 7.5cm     | 1.10  |   |
|                           | 7.5cm x 10cm    | 1.99  |   |
|                           | 10cm x 18cm     | 4.30  |   |
|                           | 17cm x 25cm     | 9.00  |   |
|                           | 20cm x 30cm     | 12.45 |   |
| <b>Mepilex Transfer</b>   | 7.5cm x 8.5cm   | 2.33  |   |
|                           | 10cm x 12cm     | 3.67  |   |
|                           | 15cm x 20cm     | 11.12 |   |
|                           | 20cm x 50cm     | 28.42 |   |
| <b>Mepitel</b>            | 5cm x 7cm       | 1.41  |   |
|                           | 8cm x 10cm      | 2.82  |   |
|                           | 12cm x 15cm     | 5.65  |   |
|                           | 20cm x 32cm     | 16.08 |   |
| <b>Mepitel One</b>        | 6cm x 7cm       | 1.22  |   |
|                           | 9cm x 10cm      | 2.41  |   |
|                           | ✘ 9.5cm x 150cm | 64.88 |   |
|                           | 13cm x 15cm     | 4.98  |   |
|                           | 24cm x 27.5cm   | 14.25 |   |
|                           | 27.5cm x 50cm   | 39.53 |   |
| <b>Silflex</b>            | 5cm x 7cm       | 1.16  | ↑ |
|                           | 8cm x 10cm      | 2.38  | ↑ |
|                           | 12cm x 15cm     | 4.79  | ↑ |
|                           | 20cm x 30cm     | 12.34 | ↑ |
|                           | 35cm x 60cm     | 41.39 | ↑ |
| <b>Silon-TSR</b>          | 13cm x 13cm     | 3.52  |   |
|                           | 13cm x 25cm     | 5.47  |   |
|                           | 28cm x 30cm     | 7.37  |   |
| <b>SilTact</b>            | 5cm x 7.5cm     | 0.98  |   |
|                           | 7.5cm x 10cm    | 1.92  |   |
|                           | 12cm x 15cm     | 4.30  |   |
|                           | 20cm x 30cm     | 11.50 |   |
| <b>Spycra Protect</b>     | 5cm x 7.5cm     | 1.32  |   |
|                           | 5cm x 150cm     | 17.92 |   |
|                           | 7.5cm x 10cm    | 2.21  |   |
|                           | 10cm x 18cm     | 6.44  |   |
|                           | 18cm x 30cm     | 14.83 |   |

✘ to be deleted 1 November 2021

## Part III (d) Appliances – Dressings / Wound Management Dressings

### Soft Silicone Wound Contact Dressing with Polyurethane Foam Film Backing – Sterile

Precautions: Dressing should be used with care in heavily bleeding wounds.

|  |                 |       |   |
|--|-----------------|-------|---|
| <b>ActivHeal Silicone Foam Lite Non-Border</b> | 7.5cm x 7.5cm   | 0.95  |   |
|  | 10cm x 10cm     | 1.29  |   |
|  | 15cm x 15cm     | 2.38  |   |
|  | 10cm x 20cm     | 2.40  |   |
| <b>ActivHeal Silicone Foam Non-Border</b>      | 5cm x 5cm       | 0.83  |   |
|  | 7.5cm x 7.5cm   | 0.97  |   |
|  | 10cm x 10cm     | 1.43  |   |
|  | 15cm x 15cm     | 2.64  |   |
|  | 20cm x 20cm     | 4.24  |   |
|  | 10cm x 20cm     | 2.66  |   |
| <b>Advazorb Silfix</b>                         | 7.5cm x 7.5cm   | 1.04  | ↑ |
|  | 10cm x 10cm     | 1.94  | ↑ |
|  | 12.5cm x 12.5cm | 2.71  | ↑ |
|  | 15cm x 15cm     | 3.52  | ↑ |
|  | 10cm x 20cm     | 3.33  | ↑ |
|  | 20cm x 20cm     | 5.21  | ↑ |
| <b>Advazorb Silfix Lite</b>                    | 7.5cm x 7.5cm   | 0.93  | ↑ |
|  | 10cm x 10cm     | 1.75  | ↑ |
|  | 12.5cm x 12.5cm | 2.44  | ↑ |
|  | 15cm x 15cm     | 3.16  | ↑ |
|  | 10cm x 20cm     | 2.99  | ↑ |
|  | 20cm x 20cm     | 4.69  | ↑ |
| <b>Allevyn Gentle</b>                          | 5cm x 5cm       | 1.40  |   |
|  | 10cm x 10cm     | 2.33  |   |
|  | 15cm x 15cm     | 4.36  |   |
|  | 20cm x 20cm     | 7.39  |   |
|  | 10cm x 20cm     | 4.12  |   |
|  | 20cm x 50cm     | 21.52 |   |
| <b>Allevyn Life Non-Bordered</b>               | 5.5cm x 5.5cm   | 1.49  |   |
|  | 10cm x 20cm     | 4.18  |   |
|  | 10.5cm x 10.5cm | 2.61  |   |
|  | 16cm x 16cm     | 5.04  |   |
|  | 20cm x 50cm     | 29.99 |   |
|  | 21cm x 21cm     | 7.22  |   |
| <b>Askina DresSil</b>                          | 5cm x 7cm       | 0.89  |   |
|  | 10cm x 10cm     | 1.53  |   |
|  | 15cm x 15cm     | 2.81  |   |
|  | 10cm x 20cm     | 2.82  |   |
|  | 20cm x 20cm     | 4.48  |   |
| <b>C-Foam Silicone</b>                         | 5cm x 5cm       | 0.85  |   |
|  | 7.5cm x 7.5cm   | 0.99  |   |
|  | 10cm x 10cm     | 1.60  |   |
|  | 10cm x 20cm     | 2.85  |   |
|  | 15cm x 15cm     | 3.20  |   |

## Part III (d) Appliances – Dressings / Wound Management Dressings

---

|                                     |                         |       |            |
|-------------------------------------|-------------------------|-------|------------|
| <b>CovaWound Silicone Foam</b>      | 5cm x 5cm               | 0.78  |            |
|                                     | 5cm x 7cm               | 0.80  |            |
|                                     | 10cm x 10cm             | 1.42  |            |
|                                     | 10cm x 20cm             | 2.41  |            |
|                                     | 12.5cm x 12.5cm         | 1.81  | <b>NEW</b> |
|                                     | 15cm x 15cm             | 2.48  |            |
|                                     | 15cm x 20cm             | 5.20  | <b>NEW</b> |
|                                     | 20cm x 20cm             | 4.46  |            |
|                                     | 20cm x 50cm             | 17.60 |            |
| <b>CovaWound Silicone Foam Lite</b> | 7.5cm x 7.5cm           | 0.61  |            |
|                                     | 10cm x 10cm             | 1.12  |            |
|                                     | 10cm x 20cm             | 1.91  |            |
|                                     | 15cm x 15cm             | 2.03  |            |
| <b>Cutimed Siltec</b>               | 5cm x 6cm               | 1.25  |            |
|                                     | 10cm x 10cm             | 2.33  |            |
|                                     | 10cm x 20cm             | 3.85  |            |
|                                     | 15cm x 15cm             | 4.36  |            |
|                                     | 20cm x 20cm             | 6.61  |            |
| <b>Cutimed Siltec L</b>             | 5cm x 6cm               | 1.10  |            |
|                                     | 10cm x 10cm             | 1.62  |            |
|                                     | 15cm x 15cm             | 3.56  |            |
| <b>Cutimed Siltec Plus</b>          | 5cm x 6cm               | 0.98  |            |
|                                     | 10cm x 10cm             | 1.91  |            |
|                                     | 10cm x 20cm             | 3.05  |            |
|                                     | 15cm x 15cm             | 3.98  |            |
|                                     | 20cm x 20cm             | 5.63  |            |
| <b>Cutimed Siltec Plus Heel</b>     | 16cm x 24cm             | 6.19  |            |
| <b>GentilFoam</b>                   | 5cm x 5cm               | 1.20  |            |
|                                     | 7.5cm x 7.5cm           | 1.50  |            |
|                                     | 10cm x 10cm             | 1.87  |            |
|                                     | 10cm x 10cm (contoured) | 3.60  |            |
|                                     | 15cm x 20cm             | 5.35  |            |
| <b>KerraFoam Simple</b>             | 5cm x 5cm               | 0.90  |            |
|                                     | 10cm x 10cm             | 1.69  |            |
|                                     | 10cm x 20cm             | 2.96  |            |
|                                     | 15cm x 15cm             | 3.03  |            |
|                                     | 20cm x 20cm             | 4.53  |            |
| <b>kliniderm Foam Silicone</b>      | 5cm x 5cm               | 0.78  |            |
|                                     | 10cm x 10cm             | 1.68  |            |
|                                     | 10cm x 20cm             | 2.58  |            |
|                                     | 15cm x 15cm             | 3.11  |            |
|                                     | 20cm x 20cm             | 4.44  |            |
| <b>kliniderm Foam Silicone Heel</b> | 10cm x 17.5cm           | 3.12  |            |
| <b>kliniderm Foam Silicone Lite</b> | 6cm x 8.5cm             | 1.27  |            |
|                                     | 10cm x 10cm             | 1.57  |            |
|                                     | 15cm x 15cm             | 3.70  |            |
|                                     | 20cm x 50cm             | 18.78 |            |

## Part III (d) Appliances – Dressings / Wound Management Dressings

|  |               |       |            |
|--|---------------|-------|------------|
| <b>Mepilex</b>   | 5cm x 5cm     | 1.26  |            |
|  | 11cm x 20cm   | 4.55  |            |
|  | 20cm x 21cm   | 7.54  |            |
|  | 20cm x 50cm   | 30.37 |            |
| <b>Mepilex Ag</b>  | 10cm x 10cm   | 6.45  |            |
|  | 10cm x 20cm   | 10.63 |            |
|  | 15cm x 15cm   | 11.97 |            |
|  | 20cm x 20cm   | 17.73 |            |
|  | 20cm x 50cm   | 66.54 |            |
| <b>Mepilex Heel</b>  | 13cm x 20cm   | 5.63  |            |
|  | 15cm x 22cm   | 6.53  |            |
| <b>Mepilex Heel Ag</b>                                     | 13cm x 20cm   | 13.45 |            |
|  | 15cm x 22cm   | 15.07 |            |
| <b>Mepilex Lite</b>  | 6cm x 8.5cm   | 1.89  |            |
|  | 10cm x 10cm   | 2.26  |            |
|  | 15cm x 15cm   | 4.38  |            |
|  | 20cm x 50cm   | 27.66 |            |
| <b>Mepilex XT</b>  | 10cm x 11cm   | 2.75  |            |
|  | 11cm x 20cm   | 4.54  |            |
|  | 15cm x 16cm   | 4.98  |            |
|  | 20cm x 21cm   | 7.52  |            |
| <b>Moderex Plus</b>  | 7.5cm x 7.5cm | 0.95  | <b>NEW</b> |
|  | 13cm x 20cm   | 3.40  | <b>NEW</b> |
|  | 15cm x 15cm   | 2.40  | <b>NEW</b> |
| <b>Spirit Silicone Foam Non-Border</b>                     | 5cm x 5cm     | 0.55  |            |
|  | 10cm x 10cm   | 1.00  |            |
|  | 15cm x 15cm   | 1.78  |            |
| <b>Suprasorb P sensitive non border</b>                    | 5cm x 5cm     | 0.74  |            |
|  | 7.5cm x 7.5cm | 1.05  |            |
|  | 10cm x 10cm   | 1.71  |            |
|  | 10cm x 20cm   | 2.60  |            |
|  | 15cm x 15cm   | 3.07  |            |
|  | 15cm x 20cm   | 3.86  |            |
| <b>Tegaderm Silicone Foam</b>                              | 10cm x 10.8cm | 2.17  |            |
|  | 15cm x 15cm   | 4.21  |            |
| <b>† Tielle Essential Silicone Adhesive Foam</b>           | 10cm x 10cm   | 1.71  |            |
|  | 15cm x 15cm   | 3.05  |            |
|  | 10cm x 20cm   | 2.98  |            |
|  | 20cm x 20cm   | 4.55  |            |
| <b>With Silicone Adhesive Border<br/>365 Silicone Foam</b> | 7.5cm x 7.5cm | 0.95  |            |
|  | 10cm x 10cm   | 1.60  |            |
|  | 15cm x 15cm   | 2.80  |            |
|  | 20cm x 20cm   | 4.90  |            |
|  | 10cm x 20cm   | 2.90  |            |
| <b>† to be deleted 1 October 2021</b>                      |               |       |            |



## Part III (d) Appliances – Dressings / Wound Management Dressings

|   |                 |               |      |
|---|-----------------|---------------|------|
| <b>ActivHeal Silicone Foam Border</b>       | 7.5cm x 7.5cm   | 1.07          |      |
|   | 10cm x 10cm     | 1.62          |      |
|   | 12.5cm x 12.5cm | 2.32          |      |
|   | 15cm x 15cm     | 2.84          |      |
|   | 20cm x 20cm     | 4.91          |      |
|   | 10cm x 20cm     | 2.88          |      |
|   | <u>Sacral</u>   | 18cm x 18.5cm | 3.60 |
| <b>ActivHeal Silicone Foam Border Lite</b>  | 5cm x 5cm       | 0.85          |      |
|   | 7.5cm x 7.5cm   | 1.02          |      |
|   | 10cm x 10cm     | 1.46          |      |
|   | 15cm x 15cm     | 2.59          |      |
|   | 5.5cm x 12cm    | 1.49          |      |
|   | 10cm x 20cm     | 2.56          |      |
|   | 10cm x 30cm     | 3.80          |      |
| <b>Advazorb Border</b>                      | 7.5cm x 7.5cm   | 1.25          | ↑    |
|   | 10cm x 10cm     | 2.20          | ↑    |
|   | 12.5cm x 12.5cm | 2.70          | ↑    |
|   | 15cm x 15cm     | 3.30          | ↑    |
|   | 10cm x 20cm     | 3.04          | ↑    |
|   | 20cm x 20cm     | 5.72          | ↑    |
|   | 10cm x 30cm     | 4.45          | ↑    |
| <b>Advazorb Border Lite</b>                 | 7.5cm x 7.5cm   | 1.12          | ↑    |
|   | 10cm x 10cm     | 1.98          | ↑    |
|   | 12.5cm x 12.5cm | 2.43          | ↑    |
|   | 15cm x 15cm     | 2.97          | ↑    |
|   | 10cm x 20cm     | 2.73          | ↑    |
|   | 20cm x 20cm     | 5.14          | ↑    |
|   | 10cm x 30cm     | 4.01          | ↑    |
| <b>Advazorb Sacral</b>                      | 17cm x 19cm     | 5.18          | ↑    |
|   | 22cm x 23cm     | 6.80          | ↑    |
| <b>Allevyn Gentle Border</b>                | 7.5cm x 7.5cm   | 1.59          | ↑    |
|   | 10cm x 10cm     | 2.33          | ↑    |
|   | 10cm x 20cm     | 3.76          | ↑    |
|   | 10cm x 25cm     | 4.68          |      |
|   | 10cm x 30cm     | 5.64          |      |
|   | 12.5cm x 12.5cm | 2.86          | ↑    |
|   | 15cm x 15cm     | 4.21          |      |
| 17.5cm x 17.5cm                             | 5.63            | ↑             |      |
| <b>Allevyn Gentle Border Heel</b>           | 23cm x 23.2cm   | 10.27         | ↑    |
| <b>Allevyn Gentle Border Lite</b>           | 5cm x 5cm       | 0.96          | ↑    |
|   | 5.5cm x 12cm    | 1.97          | ↑    |
|   | 7.5cm x 7.5cm   | 1.48          | ↑    |
|   | 8cm x 15cm      | 3.66          | ↑    |
|   | 10cm x 10cm     | 2.30          | ↑    |
|   | 10cm x 20cm     | 3.63          |      |
|   | 15cm x 15cm     | 4.06          | ↑    |
| <u>Oval</u>                                 | 8.6cm x 7.7cm   | 1.60          |      |
| <b>Allevyn Gentle Border Lite Multisite</b> | 15.2cm x 13.1cm | 3.74          |      |
|   | 8cm x 8.4cm     | 2.14          | ↑    |
| <b>Allevyn Gentle Border Multisite</b>      | 17.1cm x 17.9cm | 4.52          |      |

## Part III (d) Appliances – Dressings / Wound Management Dressings

|                                     |                              |           |      |
|-------------------------------------|------------------------------|-----------|------|
| <b>Allevyn Gentle Border Sacrum</b> | 16.8cm x 17.1cm              | 4.22      | ↑    |
|                                     | 21.6cm x 23cm                | 5.97      | ↑    |
| <b>Allevyn Life</b>                 | 10.3cm x 10.3cm              | 1.78      |      |
|                                     | 12.9cm x 12.9cm              | 2.61      |      |
|                                     | 15.4cm x 15.4cm              | 3.19      |      |
|                                     | 21cm x 21cm                  | 6.29      |      |
| <b>Allevyn Life Heel</b>            | 25cm x 25.2cm                | 11.72     |      |
| <b>Allevyn Life Sacrum</b>          | 17.2cm x 17.5cm              | 4.80      | ↑    |
|                                     | 21.6cm x 23cm                | 6.79      | ↑    |
| <b>Askina DresSil Border</b>        | 7.5cm x 7.5cm                | 1.13      |      |
|                                     | 10cm x 10cm                  | 2.00      |      |
|                                     | 15cm x 15cm                  | 3.00      |      |
|                                     | 15cm x 20cm                  | 3.90      |      |
|                                     | 20cm x 20cm                  | 5.19      |      |
| <b>Askina DresSil Heel</b>          | 22cm x 21.6cm                | 6.67      |      |
| <b>Askina DresSil Sacrum</b>        | 16cm x 17.5cm                | 3.81      |      |
| <b>Biatain Silicone</b>             | 7.5cm x 7.5cm                | 1.53      |      |
|                                     | 10cm x 10cm                  | 2.26      |      |
|                                     | 10cm x 20cm                  | 2.85      |      |
|                                     | 10cm x 30cm                  | 5.48      |      |
|                                     | 12.5cm x 12.5cm              | 2.76      |      |
|                                     | 15cm x 15cm                  | 4.10      |      |
|                                     | 17.5cm x 17.5cm              | 5.44      |      |
|                                     | 18cm x 18cm                  | 5.74      |      |
|                                     | 14cm x 19.5cm                | 4.55      |      |
|                                     | 15cm x 19cm                  | 4.16      |      |
|                                     | 25cm x 25cm                  | 6.00      |      |
| <b>Biatain Silicone Ag</b>          | 7.5cm x 7.5cm                | 3.47      |      |
|                                     | 10cm x 10cm                  | 5.47      |      |
|                                     | 10cm x 20cm                  | 9.37      | ↑    |
|                                     | 10cm x 30cm                  | 14.06     | ↑    |
|                                     | 12.5cm x 12.5cm              | 7.16      |      |
|                                     | 15cm x 15cm                  | 11.79     |      |
|                                     | 17.5cm x 17.5cm              | 13.05     |      |
|                                     | 18cm x 18cm                  | 14.60     | ↑    |
|                                     | 15cm x 19cm                  | 10.87     | ↑    |
|                                     | 25cm x 25cm                  | 23.31     | ↑    |
|                                     | <b>Biatain Silicone Lite</b> | 5cm x 5cm | 0.95 |
| 5cm x 12.5cm                        |                              | 2.05      |      |
| 7.5cm x 7.5cm                       |                              | 1.39      |      |
| 10cm x 10cm                         |                              | 2.12      |      |
| 12.5cm x 12.5cm                     |                              | 2.52      |      |
| <b>C-Foam Silicone Border</b>       | 7.5cm x 7.5cm                | 1.04      |      |
|                                     | 10cm x 10cm                  | 1.65      |      |
|                                     | 10cm x 20cm                  | 2.85      |      |
|                                     | 15cm x 15cm                  | 2.95      |      |

## Part III (d) Appliances – Dressings / Wound Management Dressings

---

|                                       |  |                 |               |
|---------------------------------------|--|-----------------|---------------|
| <b>CovaWound Silicone Foam Border</b> |  | 7.5cm x 7.5cm   | 0.88          |
|                                       |  | 10cm x 10cm     | 1.45          |
|                                       |  | 10cm x 20cm     | 2.17          |
|                                       |  | 10cm x 30cm     | 3.64          |
|                                       |  | 12.5cm x 12.5cm | 1.69          |
|                                       |  | 15cm x 15cm     | 2.25          |
|                                       |  | 15cm x 20cm     | 2.92          |
|                                       |  | 25cm x 30cm     | 7.60          |
|                                       | <u>Sacral</u>                              | 15cm x 17cm     | 2.30          |
|                                       | <b>CovaWound Silicone Foam Border Lite</b> |                 | 5cm x 5cm     |
|                                       |  | 5cm x 12.5cm    | 1.29          |
|                                       |  | 7.5cm x 7.5cm   | 1.05          |
|                                       |  | 10cm x 10cm     | 1.55          |
|                                       |  | 10cm x 20cm     | 2.65          |
|                                       |  | 15cm x 15cm     | 2.53          |
| <b>Cutimed Siltec B</b>               |  |                 | 7.5cm x 7.5cm |
|                                       |  | 12.5cm x 12.5cm | 2.38          |
|                                       |  | 15cm x 15cm     | 3.16          |
|                                       |  | 17.5cm x 17.5cm | 5.11          |
|                                       |  | 22.5cm x 22.5cm | 6.24          |
| <b>Cutimed Siltec Sacrum</b>          |  | 17.5cm x 17.5cm | 4.69          |
|                                       |  | 23cm x 23cm     | 6.41          |
| <b>Cytafoam</b>                       |  | 5cm x 5cm       | 0.92          |
|                                       |  | 10cm x 10cm     | 1.71          |
|                                       |  | 15cm x 15cm     | 3.71          |
|                                       | <u>Sacral</u>                              | 17cm x 17.5cm   | 3.68          |
|                                       |  | 23cm x 23cm     | 5.21          |
| <b>FarlaFOAM S</b>                    |  | 7.5cm x 7.5cm   | 0.84          |
|                                       |  | 10cm x 10cm     | 1.38          |
|                                       |  | 15cm x 15cm     | 2.25          |
|                                       |  | 10cm x 20cm     | 2.06          |
|                                       |  | 17cm x 18cm     | 2.49          |
| <b>FoamLite</b>                       |  | 5cm x 5cm       | 0.77          |
|                                       |  | 8cm x 8cm       | 1.19          |
|                                       |  | 10cm x 10cm     | 1.62          |
|                                       |  | 10cm x 20cm     | 2.09          |
|                                       |  | 15cm x 15cm     | 3.62          |
|                                       |  | 5.5cm x 12cm    | 1.61          |
| <b>GentilFoam Border</b>              |  | 7.5cm x 7.5cm   | 1.35          |
|                                       |  | 10cm x 10cm     | 2.10          |
|                                       |  | 12.5cm x 12.5cm | 2.75          |
|                                       |  | 15cm x 15cm     | 4.50          |
|                                       |  | 15cm x 20cm     | 5.35          |
| <b>KerraFoam Gentle Border</b>        |  | 7.5cm x 7.5cm   | 1.48          |
|                                       |  | 10cm x 10cm     | 2.17          |
|                                       |  | 10cm x 20cm     | 3.49          |
|                                       |  | 12.5cm x 12.5cm | 2.64          |
|                                       | <u>Oval</u>                                | 18cm x 21cm     | 5.40          |

## Part III (d) Appliances – Dressings / Wound Management Dressings

---

|  |                 |       |            |
|--|-----------------|-------|------------|
| <b>KerraFoam Gentle Border Heel</b>                                    | 23cm x 25cm     | 8.14  |            |
| <b>KerraFoam Gentle Border Sacrum</b>                                  | 17cm x 17.5cm   | 4.57  |            |
|  | 23cm x 26cm     | 8.49  |            |
| <b>KerraFoam Simple Border</b>   | 7.5cm x 7.5cm   | 1.11  |            |
|  | 10cm x 10cm     | 1.55  |            |
|  | 10cm x 20cm     | 2.86  |            |
|  | 12.5cm x 12.5cm | 2.25  |            |
|  | 15cm x 15cm     | 2.82  |            |
|  | 15cm x 20cm     | 4.50  |            |
| <b>kliniderm Foam Silicone Border</b>                                  | 7.5cm x 7.5cm   | 0.94  |            |
|  | 10cm x 10cm     | 1.23  |            |
|  | 12.5cm x 12.5cm | 1.79  |            |
|  | 15cm x 15cm     | 2.70  |            |
|  | 10cm x 20cm     | 3.15  |            |
|  | 10cm x 30cm     | 4.76  |            |
|  | 15cm x 20cm     | 4.65  |            |
| <b>kliniderm Foam Silicone Heel Border</b>                             | 20cm x 20.8cm   | 5.66  |            |
| <b>kliniderm Foam Silicone Lite Border</b>                             | 4cm x 5cm       | 0.60  |            |
|  | 5cm x 12.5cm    | 1.50  |            |
|  | 7.5cm x 7.5cm   | 0.98  |            |
|  | 10cm x 10cm     | 1.05  |            |
|  | 15cm x 15cm     | 3.50  |            |
| <b>kliniderm Foam Silicone Sacrum Border</b>                           | 15cm x 15cm     | 3.10  | <b>NEW</b> |
|  | 18cm x 18cm     | 3.73  |            |
|  | 22.5cm x 22.5cm | 5.55  | <b>NEW</b> |
| <b>Luofucon Silicone Bordered Foam</b> see Spirit Silicone Foam Border |                 |       |            |
| <b>Mepilex Border</b>  | 7cm x 7.5cm     | 1.37  |            |
|  | 10cm x 10.5cm   | 1.90  |            |
|  | 10cm x 12.5cm   | 2.76  |            |
|  | 10cm x 20cm     | 3.77  |            |
|  | 10cm x 30cm     | 5.66  |            |
|  | 15cm x 17.5cm   | 4.24  |            |
|  | 17cm x 20cm     | 6.16  |            |
| <b>Mepilex Border Ag</b>   | 7cm x 7.5cm     | 3.59  |            |
|  | 10cm x 12.5cm   | 6.49  |            |
|  | 10cm x 20cm     | 9.44  |            |
|  | 10cm x 25cm     | 11.82 |            |
|  | 10cm x 30cm     | 14.17 |            |
|  | 15cm x 17.5cm   | 11.91 |            |
|  | 17cm x 20cm     | 15.43 |            |
| <b>Mepilex Border Comfort</b>  | 7.5cm x 7.5cm   | 1.37  |            |
|  | 10cm x 10cm     | 1.93  |            |
|  | 10cm x 20cm     | 3.72  |            |
|  | 10cm x 30cm     | 5.58  |            |
|  | 12.5cm x 12.5cm | 2.76  |            |
|  | 15cm x 15cm     | 4.16  |            |
|  | 15cm x 20cm     | 5.51  |            |

## Part III (d) Appliances – Dressings / Wound Management Dressings

---

|   |             |                 |       |
|---|-------------|-----------------|-------|
| <b>Mepilex Border Flex</b>                | <u>Oval</u> | 13cm x 16cm     | 3.49  |
|   |             | 15cm x 19cm     | 4.22  |
| <b>Mepilex Border Heel</b>                |             | 18.5cm x 24cm   | 6.79  |
|   |             | 22cm x 23cm     | 7.73  |
| <b>Mepilex Border Lite</b>                |             | 4cm x 5cm       | 0.94  |
|   |             | 5cm x 12.5cm    | 2.04  |
|   |             | 7.5cm x 7.5cm   | 1.37  |
|   |             | 10cm x 10.5cm   | 1.90  |
|   |             | 15cm x 15cm     | 3.99  |
| <b>Mepilex Border Sacrum</b>              |             | 15cm x 15cm     | 3.45  |
|   |             | 16cm x 20cm     | 4.92  |
|   |             | 18cm x 18cm     | 4.97  |
|   |             | 22cm x 25cm     | 8.02  |
|   |             | 23cm x 23cm     | 8.11  |
| <b>Mepilex Border Sacrum Ag</b>           |             | 18cm x 18cm     | 12.45 |
|   |             | 20cm x 20cm     | 15.14 |
|   |             | 23cm x 23cm     | 19.89 |
| <b>Moderex Border Sensitive Plus</b>      |             | 5cm x 5cm       | 0.52  |
|   |             | 7.5cm x 7.5cm   | 0.57  |
|   |             | 10cm x 10cm     | 1.10  |
|   |             | 10cm x 20cm     | 1.60  |
| <b>PolyMem Silicone Border</b>            | <u>Oval</u> | 5cm x 7.6cm     | 1.70  |
|   |             | 8.8cm x 12.7cm  | 3.29  |
|   |             | 16.5cm x 20.9cm | 8.98  |
| <b>Spirit Silicone Foam Border Lite</b>   |             | 7.5cm x 7.5cm   | 0.60  |
|   |             | 10cm x 10cm     | 1.30  |
| <b>Spirit Silicone Border Sacrum Foam</b> |             | 17cm x 17.5cm   | 3.25  |
| <b>Spirit Silicone Foam Border</b>        |             | 7.5cm x 7.5cm   | 0.60  |
|   |             | 10cm x 10cm     | 1.30  |
|   |             | 10cm x 20cm     | 2.59  |
|   |             | 12.5cm x 12.5cm | 2.02  |
|   |             | 15cm x 15cm     | 2.85  |
| <b>Suprasorb P sensitive border</b>       |             | 7.5cm x 8.5cm   | 0.97  |
|   |             | 10cm x 10cm     | 1.33  |
|   |             | 12.5cm x 12.5cm | 1.84  |
|   |             | 15cm x 15cm     | 2.71  |
|   |             | 20cm x 20cm     | 4.84  |
| <b>Suprasorb P sensitive border lite</b>  |             | 5cm x 5cm       | 0.55  |
|   |             | 5cm x 10cm      | 0.67  |
|   |             | 7.5cm x 8.5cm   | 0.78  |
|   |             | 9cm x 15cm      | 1.40  |
|   |             | 10cm x 10cm     | 1.02  |
|   |             | 10cm x 20cm     | 1.91  |
| <b>Suprasorb P sensitive heel</b>         |             | 23.5cm x 25cm   | 5.67  |
| <b>Suprasorb P sensitive multisite</b>    |             | 12cm x 15cm     | 1.98  |

## Part III (d) Appliances – Dressings / Wound Management Dressings

---

|   |                                  |        |
|---|----------------------------------|--------|
| <b>Suprasorb P sensitive sacrum</b>       | 17cm x 17.5cm                    | 3.74   |
|   | 23cm x 23cm                      | 5.16   |
| <b>Tegaderm Silicone Foam Border</b>      | 7.5cm x 7.5cm                    | 1.35   |
|   | 10cm x 10cm                      | 1.90   |
|   | 15cm x 15cm                      | 4.18   |
|   | 15cm x 17cm                      | 4.70   |
|   | 16.5cm x 16.5cm                  | 5.93   |
|   | 18.5cm x 22cm                    | 5.99   |
| <b>† Tielle Essential Silicone Border</b> | 7.5cm x 7.5cm                    | 1.13   |
|   | 10cm x 10cm                      | 1.62   |
|   | 10cm x 20cm                      | 2.88   |
|   | 12.5cm x 12.5cm                  | 2.32   |
|   | 15cm x 15cm                      | 2.84   |
|   | 20cm x 20cm                      | 4.91   |
|   | <u>Sacral</u><br>18.5cm x 18.5cm | 4.10   |
| <b>† Tielle Silicone Border</b>           | 7cm x 9cm                        | 1.45   |
|   | 10cm x 10cm                      | 2.13   |
|   | 12.5cm x 12.5cm                  | 2.61   |
|   | 17.5cm x 17.5cm                  | 5.14   |
|   | 21cm x 22cm                      | 6.07   |
|   |                                  |        |
| <b>UrgoStart Border</b>                   | 8cm x 8cm                        | 5.33   |
|   | 10cm x 10cm                      | 6.32   |
|   | 13cm x 13cm                      | 8.84   |
|   | 15cm x 20cm                      | 11.37  |
|   | <u>Sacrum</u><br>20cm x 20cm     | 15.28  |
| <b>UrgoTul Absorb Border</b>              | 6.5cm x 10cm                     | 1.50   |
|   | 8cm x 8cm                        | 1.40   |
|   | 8cm x 15cm                       | 2.48   |
|   | 10cm x 10cm                      | 2.01   |
|   | 10cm x 25cm                      | 3.72   |
|   | 13cm x 13cm                      | 2.48   |
|   | 15cm x 20cm                      | 4.04   |
|   | <u>Sacrum</u><br>20cm x 20cm     | 4.41   |
| <b>Topical Haemoglobin<br/>Granulox</b>   | 12ml spray                       | 125.00 |

† to be deleted 1 October 2021

## Part III (d) Appliances – Dressings / Wound Management Dressings

### Topical Negative Pressure System Accessories

|  |                       |                  |
|--|-----------------------|------------------|
| Avelle pump                                  |                       | 103.63           |
| ConvaTec Hydrocolloid Sealing Strip          | 5cm x 20cm            | 1.90             |
| Foam Wound Dressing (Smith & Nephew)         | 10cm x 12.5cm x 1.5cm | 8.11             |
|  |                       | <b>pack of 2</b> |
| Kerlix AMD Antimicrobial Super Sponges       | 15.2cm x 17.1cm       | 0.71             |
|  |                       | <b>pack of 5</b> |
|  |                       | 1.78             |
|  |                       | <b>Each</b>      |
| Kerlix AMD Gauze                             | 11.4cm x 3.7m         | 1.64             |
| Nanova therapy unit                          |                       | 73.17            |
| NEXA NPWT Device                             |                       | 396.00           |
| Renasys Adhesive gel patch                   |                       | 3.56             |
| Renasys Soft Port                            |                       | 11.78            |
| Renasys Y Connector (for use with Soft Port) |                       | 3.47             |
| Renasys Port Kit                             |                       | 9.83             |
|  |                       | ↑                |
| SensaT.R.A.C Pad                             |                       | 11.31            |
| Snap Cartridge Device (60ml capacity)        | 75mmHg                | 74.91            |
|  | 100mmHg               | 74.91            |
|  | 125mmHg               | 74.91            |
| Snap Plus Cartridge Device (150ml capacity)  | 125mmHg               | 128.04           |
| Snap SecurRing Hydrocolloid                  | 4.8cm                 | 3.59             |
| Snap Straps (for 60ml cartridges)            | Small                 | 7.17             |
|  | Medium                | 7.17             |
|  | Large                 | 7.17             |
| Snap Plus Straps (for 150ml cartridges)      | Small                 | 19.01            |
|  | Medium                | 19.01            |
|  | Large                 | 19.01            |
| T.R.A.C. Y Connector                         |                       | 3.23             |
| V.A.C. Drape                                 |                       | 9.70             |
| V.A.C. Via 7-day kit                         |                       | 338.70           |
| V.A.C. Gel                                   |                       | 3.88             |
|  |                       | <b>pack of 5</b> |
| Venturi Adhesive Gel Patches                 |                       | 15.37            |
| Venturi Y Connector                          |                       | 15.37            |
|  |                       | <b>each</b>      |
| WoundASSIST TNP Gel Strip                    |                       | 3.37             |
| XLR8 Y Connector                             |                       | 3.20             |

## Part III (d) Appliances – Dressings / Wound Management Dressings

|   |   |        |
|---|---|--------|
| <b>Wound Dressing Pack</b>  |   |        |
| <b>Avelle dressing</b>  | 16cm x 16cm                                     | 15.70  |
|   | 16cm x 21cm                                     | 23.03  |
|   | 12cm x 21cm                                     | 15.70  |
|   | 12cm x 31cm                                     | 25.12  |
|   | 12cm x 41cm                                     | 32.00  |
|   | 21cm x 26cm                                     | 32.84  |
|   | 26cm x 26cm                                     | 40.54  |
|   |   | ↑      |
|   |   | ↑      |
| <b>Exsu-Fast kits</b>   | Kit 1 (small wounds with low exudate)           | 28.04  |
|   | Kit 2 (large wounds with heavy exudate)         | 35.83  |
|   | Kit 3 (large wounds with low to medium exudate) | 35.83  |
|   | Kit 4 (small wounds with heavy exudate)         | 28.04  |
| <b>Gauze Dressing with V.A.C. Therapy accessories kit</b><br>(formerly KCI NPWT gauze dressing kit) |   | 18.80  |
| <b>Nanova therapy multi-dressing kit</b>  | 18cm x 14cm                                     | 38.94  |
|   | 18cm x 18cm                                     | 40.70  |
|   | 18cm x 28cm                                     | 41.73  |
| <b>NEXA dressing -75mmHg</b>  | Small   | 22.80  |
| <b>NEXA dressing -125mmHg</b>   | Small   | 22.80  |
| <b>Pico dressing</b>  | 10cm x 20cm                                     | 17.49  |
|   | 10cm x 30cm                                     | 24.48  |
|   | 10cm x 40cm                                     | 32.64  |
|   | 15cm x 15cm                                     | 17.49  |
|   | 15cm x 20cm                                     | 25.65  |
|   | 15cm x 30cm                                     | 27.98  |
|   | 20cm x 20cm                                     | 32.64  |
|   | 25cm x 25cm                                     | 51.01  |
| <b>Pico 7</b>   | 10cm x 20cm                                     | 133.06 |
|   | 10cm x 30cm                                     | 132.39 |
|   | 10cm x 40cm                                     | 152.56 |
|   | 15cm x 15cm                                     | 132.39 |
|   | 15cm x 20cm                                     | 132.39 |
|   | 15cm x 30cm                                     | 152.56 |
|   | 20cm x 20cm                                     | 152.56 |
|   | 25cm x 25cm                                     | 152.56 |
| <b>Pico 7 Multisite</b>   | 15cm x 20cm                                     | 131.80 |
|   | 20cm x 25cm                                     | 151.12 |
| <b>Pico 7Y Multisite</b>  | 20cm x 25cm                                     | 241.28 |
| <b>Pico 14</b>  | 10cm x 20cm                                     | 198.69 |
|   | 10cm x 30cm                                     | 198.69 |
|   | 10cm x 40cm                                     | 198.69 |
|   | 15cm x 15cm                                     | 198.69 |
|   | 15cm x 20cm                                     | 198.69 |
|   | 15cm x 30cm                                     | 198.69 |
|   | 20cm x 20cm                                     | 198.69 |
|   | 25cm x 25cm                                     | 198.69 |
| <b>Pico 14 Multisite</b>  | 15cm x 20cm                                     | 196.00 |
|   | 20cm x 25cm                                     | 196.00 |



## Part III (d) Appliances – Dressings / Wound Management Dressings

|  |               |             |        |   |
|--|---------------|-------------|--------|---|
| <b>Pico Multisite dressing</b>                     |               | 15cm x 20cm | 38.47  |   |
|  |               | 20cm x 25cm | 61.21  |   |
| <b>Renasys-F Foam dressing kit with soft port</b>  |               | Small       | 24.28  |   |
|  |               | Medium      | 28.21  |   |
|  |               | Large       | 33.46  |   |
| <b>Renasys G dressing kit</b>                      | Round Drain   | 10fr        | 25.06  | ↑ |
|  |               | 19fr        | 25.06  | ↑ |
|  | Flat Drain    | 10mm        | 25.06  | ↑ |
|  | Channel Drain | 15fr        | 25.06  | ↑ |
| <b>Renasys G Gauze dressing kit with soft port</b> |               | Small       | 20.69  |   |
|  |               | Medium      | 25.95  |   |
|  |               | Large       | 32.92  |   |
| <b>Snap Bridge dressing kit</b>                    |               |             | 32.83  |   |
| <b>Snap dressing kit</b>                           | Foam          | 10cm x 10cm | 29.38  |   |
|  |               | 15cm x 15cm | 34.28  |   |
|  |               | 20cm x 20cm | 37.22  |   |
| <b>UNO dressing</b>                                |               | 10cm x 20cm | 21.00  |   |
|  |               | 10cm x 30cm | 21.00  |   |
|  |               | 10cm x 40cm | 21.00  |   |
|  |               | 15cm x 15cm | 21.00  |   |
|  |               | 15cm x 20cm | 21.00  |   |
|  |               | 15cm x 30cm | 24.40  |   |
|  |               | 20cm x 20cm | 24.40  |   |
|  |               | 20cm x 25cm | 24.40  |   |
|  |               | 25cm x 25cm | 24.40  |   |
| <b>UNO dressing kit (formerly UNO)</b>             |               | 10cm x 20cm | 255.00 |   |
|  |               | 10cm x 30cm | 255.00 |   |
|  |               | 10cm x 40cm | 290.00 |   |
|  |               | 15cm x 15cm | 255.00 |   |
|  |               | 15cm x 20cm | 290.00 |   |
|  |               | 15cm x 30cm | 290.00 |   |
|  |               | 20cm x 20cm | 290.00 |   |
|  |               | 20cm x 25cm | 290.00 |   |
|  | 25cm x 25cm   | 290.00      |        |   |

## Part III (d) Appliances – Dressings / Wound Management Dressings

---

|   |               |                     |       |
|---|---------------|---------------------|-------|
| <b>V.A.C. GranuFoam dressing kit</b>                          |               | Small               | 23.70 |
|   |               | Medium              | 28.22 |
|   |               | Large               | 32.73 |
| <b>V.A.C. GranuFoam Bridge dressing kit</b>                   |               |                     | 33.09 |
| <b>V.A.C. GranuFoam Silver dressing kit with SensaT.R.A.C</b> |               | Small               | 33.86 |
|   |               | Medium              | 39.28 |
| <b>V.A.C. Simplace EX dressing kit</b>                        |               | Small               | 27.47 |
|   |               | Medium              | 31.58 |
| <b>V.A.C. WhiteFoam dressing</b>                              |               | Small               | 10.99 |
|   |               | Large               | 17.60 |
| <b>V.A.C. WhiteFoam dressing kit</b>                          |               | Small               | 26.76 |
|   |               | Large               | 34.64 |
| <b>Venturi Foam Wound Care Set</b>                            | Portal Drain  | Small               | 15.37 |
|   |               | Standard            | 17.93 |
|   |               | Large               | 22.50 |
| <b>Venturi Gauze Wound Care Set</b>                           | Portal Drain  | Standard            | 15.37 |
|   |               | Large               | 17.93 |
| <b>Venturi MiNO Gauze Wound Care Set</b>                      | Portal Drain  | 20cm x 20cm         | 15.00 |
| <b>Venturi MiNO Slim Foam Wound Care Set</b>                  | Portal Drain  | 10cm x 15cm x 1.5cm | 15.00 |
| <b>Venturi wound sealing kits</b>                             | Flat Drain    | Standard            | 15.37 |
|   |               | Large               | 17.93 |
| <b>WoundASSIST TNP</b>  | Channel Drain | Small/Medium        | 20.81 |
|   |               | Medium/Large        | 23.85 |
|   | Wound Pack    | Small/Medium        | 20.81 |
|   |               | Medium/Large        | 23.85 |
|   |               | Extra Large         | 34.05 |
| <b>XLR8 Foam dressing kit</b>                                 |               | Small               | 22.45 |
|   |               | Medium              | 26.08 |
|   |               | Large               | 30.94 |
| <b>XLR8 Gauze dressing kit</b>                                |               | Small               | 19.39 |
|   |               | Medium              | 24.31 |
|   |               | Large               | 30.85 |

## Part III (d) Appliances – Dressings / Wound Management Dressings

|  |   |       |       |
|--|---|-------|-------|
| <b>Wound Drainage Collection Device</b>                            |   |       |       |
| <b>ActiV.A.C</b>   | Canister with gel                                   | 300ml | 29.35 |
| <b>NEXA Fluid Container Pack</b>                                   |   | 120ml | 22.80 |
| <b>Renasys canister kit</b>  | 250ml with solidifier                               | Small | 19.15 |
|  | 800ml with solidifier                               | Large | 21.27 |
| <b>Renasys Go canister kit</b>                                     | 300ml with solidifier                               | Small | 21.01 |
|  | 750ml with solidifier                               | Large | 28.97 |
| <b>Renasys Touch</b>   | Canister with solidifier                            | 300ml | 29.44 |
|  | Canister with solidifier                            | 800ml | 40.29 |
| <b>S-Canister</b>  | 250ml with solidifier                               |       | 19.00 |
| <b>V.A.C. Freedom canister with gel</b>                            |   | 300ml | 29.80 |
| <b>Venturi canister kit</b>  | Canister with solidifier                            |       | 12.81 |
| <b>Venturi Compact canister kit</b>                                | Canister with solidifier                            |       | 12.81 |
| <b>Venturi MiNO</b>  | Canister  | 150ml | 10.25 |
| <b>WoundASSIST TNP</b>   | Canister  | 500ml | 20.30 |
| <b>XLR8 canister</b>   |   | 200ml | 19.15 |
|  |   | 400ml | 24.00 |
|  |   | 600ml | 26.00 |
| <b>Transparent Absorbent Acrylic Dressing with Adhesive Border</b> |   |       |       |
| <b>Leukomed Control</b>  | 5cm x 7cm (wound contact pad 2cm x 4cm)             |       | 1.17  |
|  | 7cm x 10cm (wound contact pad 4cm x 7cm)            |       | 1.74  |
|  | 8cm x 15cm (wound contact pad 4.5cm x 11.5cm)       |       | 2.12  |
|  | 10cm x 24cm (wound contact pad 6cm x 20cm)          |       | 4.92  |
|  | 10cm x 35cm (wound contact pad 6cm x 31cm)          |       | 5.91  |
| <b>Tegaderm Absorbent Clear Acrylic dressing</b>                   |   |       |       |
| Oval   | 7.6cm x 9.5cm (wound contact pad 3.8cm x 5.7cm)     |       | 3.23  |
|  | 11.1cm x 12.7cm (wound contact pad 6cm x 7.5cm)     |       | 4.18  |
|  | 14.2cm x 15.8cm (wound contact pad 8.5cm x 10.7cm)  |       | 5.89  |
| Rectangular  | 14.9cm x 15.2cm (wound contact pad 10.1cm x 10.1cm) |       | 8.83  |
|  | 20cm x 20.3cm (wound contact pad 14.9cm x 15.2cm)   |       | 14.17 |

## Part III (d) Appliances – Dressings / Wound Management Dressings

### Wound Drainage Pouch

All products in this category must be dispensed with a supply of wipes and disposal bags.

Indications: Suitable for wounds with a low volume of exudate

**Biotrol Draina S Fistula** for wound drainage and fistula management **pack of 30**  
Mini (Cut to 30mm) (H08560E) 80.82

**Cath Dry** (formerly Cath Dry Shower & Swim Dressing) CDSS001 **pack of 12**  
86.00

**Independence Extra Sticky Wound Protection/Collection Pouch** **pack of 10**  
EA2 93.36

**Oakmed Option Wound Manager** **pack of 30**

cut-to-fit:

10mm - 30mm Small (OM-S) 76.27

10mm - 50mm Medium (OM-M) 84.50

10mm - 50mm Large (OM-L) 88.50

Indications: Suitable for wounds with a high volume of exudate

**Biotrol Draina S Fistula** for wound drainage and fistula management **pack of 20**

Medium (Cut to 50mm) (H28555E) 80.58

Large (Cut to 88mm) (H28556E) 99.10

**Draina S Vision** **pack of 10**

Vision 50 (150ml cut to 50mm) H28565E 104.98

Vision 75 (250ml cut to 88mm) H28566E 110.90

### Eakin Wound Pouches

Fold and Tuck closure for wounds up to:

Small (45 x 30mm) 839250 **pack of 10** 51.07

Medium (110 x 75mm) 839251 73.77

Large (175 x 110mm) 839252 96.47

**pack of 5**

Extra Large (horizontal wounds upto 245 x 160mm) 839253 85.12

Bung Closure for wounds up to:

Small (45 x 30mm) 839260 **pack of 10** 56.75

Small Plus (86 x 60mm) 839267 66.93

Medium (110 x 75mm) 839261 79.45

Large (175 x 110mm) 839262 107.82

**pack of 5**

Large (vertical incision wounds upto 250 x 80mm) 839270 70.00

Extra Large (horizontal wounds upto 245 x 160mm) 839263 96.47

Extra Large (vertical wounds upto 245 x 160mm) 839265 96.47

Extra Large (vertical incision wounds upto 290 x 130mm) 839266 96.47

Bung Closure and access window for wounds up to:

Extra Large (horizontal wounds upto 245 x 160mm) 839264 107.82

Extra Large (vertical wounds up to 245 x 160mm) 839268 105.97

Eakin access windows for use with Eakin pouches

Small 839281 39.31

Large 839280 39.72

## Part III (d) Appliances – Dressings / Wound Management Dressings

|  |           |                   |
|--|-----------|-------------------|
| <b>Hollister Wound Drainage Collector</b>  |           | <b>pack of 10</b> |
| 76mm   | 9701      | 84.53             |
| 95mm   | 9702      | 92.24             |
|  |           | <b>pack of 3</b>  |
| 100mm x 200mm  | 9703      | 54.77             |
| <b>Independence Easy Access Pouch</b>  | EA1       | 104.49            |
| <b>Independence Small Wound Protection/Collection Pouch</b>                            | VAP3      | 117.34            |
| <b>Independence Wound Protection/Collection Pouch</b>                                  | VAP1      | 121.00            |
| <b>Independence Xtra Large Wound Protection/Collection Pouch</b>                       | VAP2      | 129.19            |
| <b>Oakmed Option Wound Manager</b>   |           | <b>pack of 10</b> |
| Extra Small (wounds upto 90mm x 180mm)   | (WWM-XS)  | 124.22            |
| Small (horizontal wounds upto 245mm wide x 160mm high)                                 | (WWM-S)   | 138.17            |
| Medium (vertical wounds upto 90mm wide x 260mm high)                                   | (WWM-M)   | 141.24            |
| Large (wounds upto 160mm x 260mm)  | (WWM-L)   | 168.34            |
| Square (vertical wounds upto 160mm wide x 200mm high)                                  | (WWM-SQ)  | 147.38            |
| Oblong (vertical wounds upto 60mm x 190mm)   | (WWM-O)   | 122.67            |
| Extra Small with Access Port (wounds upto 90mm x 180mm)                                | (WWM-XSA) | 135.83            |
| Small with Access Port (horizontal wounds upto 245mm wide x 160mm high)                | (WWM-SA)  | 144.31            |
| Medium with Access Port (vertical wounds upto 90mm wide x 260mm high)                  | (WWM-MA)  | 147.28            |
| Large with Access Port (wounds upto 160mm x 260mm)                                     | (WWM-LA)  | 179.95            |
| Square with Access Port (vertical wounds upto 160mm wide x 200mm high)                 | (WWM-SQA) | 153.52            |
| Oblong with Access Port (vertical wounds upto 60mm x 190mm)                            | (WWM-OA)  | 134.14            |
| <b>Salts Healthcare Confidence Wound and Fistula Pouch with Flexifit (non sterile)</b> |           | <b>pack of 10</b> |
| Small (horizontal wounds up to 60mm x 40mm)  | CWM01     | 59.84             |
| Small (vertical wounds up to 40mm x 60mm)  | CWM02     | 59.84             |
| Medium (vertical wound up to 53mm x 150mm)   | CWM03     | 83.52             |
| <b>Welland Fistula Bag</b>   |           | <b>pack of 30</b> |
| Cut-to-fit up to: 40mm x 70mm  | PFV700    | 86.37             |
| <b>Welland Wound Manager</b>   |           | <b>pack of 10</b> |
| Small (cut to fit 30mm x 40mm) Clear   | (NOP700)  | 54.99             |
| Medium (cut to fit 50mm x 70mm) Beige, split soft cover                                | (SOP500)  | 66.79             |
|  |           | <b>pack of 5</b>  |
| Large (cut to fit 90mm x 90mm) Beige, split soft cover                                 | (POP513)  | 38.44             |
| Large (cut to fit 90mm x 90mm) Clear, with inspection window                           | (WOP713)  | 57.49             |

PAGE INTENTIONALLY BLANK

## Part III (e)

## Lymphoedema Garments

**ActiLymph**

| Style                                  | Lengths  | Sizes            |                        |
|--|----------|------------------|------------------------|
| <b>Class 1 (18-21mmHg)</b>             |          |                  | <b>Price per pair</b>  |
| Below Knee Closed Toe                  | Standard | S, M, L, XL, XXL | 29.84                  |
|  | Petite   | S, M, L, XL      | 29.84                  |
| Below Knee Open Toe                    | Standard | S, M, L, XL, XXL | 29.84                  |
| Thigh Closed Toe With Wide Top Band    | Standard | S, M, L, XL      | 57.35                  |
| Thigh Open Toe With Regular Top Band   | Standard | S, M, L, XL, XXL | 56.22                  |
| Thigh Closed Toe With Regular Top Band | Standard | S, M, L, XL      | 56.12                  |
|  |          |                  | <b>Price per piece</b> |
| Armsleeve No Top Band                  | Standard | S, M, L, XL      | 15.80                  |
| Armsleeve With Top Band                | Standard | S, M, L, XL      | 21.07                  |
| Armsleeve With Top Band                | Long     | S, M, L, XL      | 20.65                  |
| Combined Armsleeve No Top Band         | Standard | S, M, L          | 28.67                  |
| Combined Armsleeve With Top Band       | Standard | S, M, L          | 33.94                  |
| Combined Armsleeve With Top Band       | Long     | S, M, L          | 33.27                  |
| <b>Class 2 (23-32mmHg)</b>             |          |                  | <b>Price per pair</b>  |
| Below Knee Closed Toe                  | Standard | S, M, L, XL      | 29.84                  |
|  | Petite   | S, M, L, XL      | 29.84                  |
| Below Knee Open Toe                    | Standard | S, M, L, XL, XXL | 29.84                  |
|  | Petite   | S, M, L, XL      | 29.84                  |
| Thigh Closed Toe With Wide Top Band    | Standard | S, M, L, XL      | 57.35                  |
| Thigh Open Toe With Wide Top Band      | Standard | S, M, L, XL      | 57.35                  |
| Thigh Open Toe With Regular Top Band   | Standard | S, M, L, XL, XXL | 56.22                  |
| Thigh Closed Toe With Regular Top Band | Standard | S, M, L, XL      | 56.12                  |
|  |          |                  | <b>Price per piece</b> |
| Armsleeve No Top Band                  | Standard | S, M, L, XL      | 16.97                  |
| Armsleeve With Top Band                | Standard | S, M, L, XL      | 22.24                  |
|  | Long     | S, M, L, XL      | 21.80                  |
| Combined Armsleeve No Top Band         | Standard | S, M, L          | 29.84                  |
| Combined Armsleeve With Top Band       | Standard | S, M, L          | 35.11                  |
|  | Long     | S, M, L          | 34.42                  |
| <b>Class 3 (34-46mmHg)</b>             |          |                  | <b>Price per pair</b>  |
| Below Knee Open Toe No Top Band        | Standard | S, M, L, XL      | 32.77                  |
| Thigh Open Toe With Wide Top Band      | Standard | S, M, L, XL      | 59.69                  |

**ActiLymph MTM Dura**

– Stiffer Fabric for Lower Extremities

| Style  | Product Code  | Price per piece |
|--|---------------|-----------------|
| <b>Class 2 (23-32mmHg)</b>   |               |                 |
| Below Knee A-D   | AL-DURA C2-AD | 36.21           |
| Thigh Length A-G   | AL-DURAC2-AG  | 44.66           |
| Thigh with Waist Attachment A-GT   | AL-DURAC2-AGT | 63.10           |
| 2 Legged Panty A-T (includes cycle style pants)  | AL-DURAC2-AT  | 165.69          |
| <b>Class 3 (34-46mmHg)</b>   |               |                 |
| Below Knee A-D   | AL-DURAC3-AD  | 38.41           |
| Thigh Length A-G   | AL-DURAC3-AG  | 48.06           |
| Thigh with Waist Attachment A-GT   | AL-DURAC3-AGT | 64.74           |
| 2 Legged Panty A-T (includes cycle style pants)  | AL-DURAC3-AT  | 175.57          |
| <i>NB: The above garments are available with optional extras. These are priced separately. See below</i> |               |                 |
| Closed Toe   | ALO-CT        | 1.09            |
| Oblique Toe  | ALO-OBT       | 7.01            |
| 2 Ankle Pads   | ALO-PAD       | 21.95           |
| Silicone Band  | ALO-BAND      | 8.12            |
| Slip Form  | ALO-FORM      | 7.13            |
| T Heel Ankle Seam  | ALO-SEAM      | 7.13            |
| Full Compression Body Part (in AT)   | ALO-FCBODY    | 26.34           |

**ActiLymph MTM Ease**

– Soft Fabric for Lower Extremities

| Style  | Product Code  | Price per piece |
|--|---------------|-----------------|
| <b>Class 1 (18-21mmHg)</b>   |               |                 |
| Below Knee A-D   | AL-EASE C1-AD | 34.73           |
| Thigh Length A-G   | AL-EASEC1-AG  | 41.48           |
| Thigh with Waist Attachment A-GT   | AL-EASEC1-AGT | 58.71           |
| 2 Legged Panty A-T (includes cycle style pants)  | AL-EASEC1-AT  | 150.11          |
| <b>Class 2 (23-32mmHg)</b>   |               |                 |
| Below Knee A-D   | AL-EASEC2-AD  | 36.21           |
| Thigh Length A-G   | AL-EASEC2-AG  | 44.66           |
| Thigh with Waist Attachment A-GT   | AL-EASEC2-AGT | 63.10           |
| 2 Legged Panty A-T (includes cycle style pants)  | AL-EASEC2-AT  | 165.69          |
| <b>Class 3 (34-46mmHg)</b>   |               |                 |
| Below Knee A-D   | AL-EASEC3-AD  | 38.41           |
| Thigh Length A-G   | AL-EASEC3-AG  | 48.06           |
| Thigh with Waist Attachment A-GT   | AL-EASEC3-AGT | 64.74           |
| 2 Legged Panty A-T (includes cycle style pants)  | AL-EASEC3-AT  | 175.57          |
| <i>NB: The above garments are available with optional extras. These are priced separately. See below</i> |               |                 |
| Closed Toe   | ALO-CT        | 1.09            |
| Oblique Toe  | ALO-OBT       | 7.01            |
| Silicone Band  | ALO-BAND      | 8.12            |
| Slip Form  | ALO-FORM      | 7.13            |
| T Heel Ankle Seam  | ALO-SEAM      | 7.13            |
| Full Compression Body Part (in A-T) (only available in Class 2<br>(only available in Class 2 and 3))     | ALO-FCBODY    | 26.34           |

**Adore**

| Style                      | Lengths          | Sizes       | Price per pair |
|----------------------------|------------------|-------------|----------------|
| <b>Class 1 (18-21mmHg)</b> |                  |             |                |
| Below Knee                 | Standard, Petite | S, M, L, XL | 27.51          |
| Thigh High                 | Standard         | S, M, L, XL | 52.86          |
| <b>Class 2 (23-32mmHg)</b> |                  |             |                |
| Below Knee                 | Standard, Petite | S, M, L, XL | 27.51          |
| Thigh High                 | Standard         | S, M, L, XL | 52.86          |



**Altiven**

| Style                                  | Lengths        | Sizes                |                        |
|--|----------------|----------------------|------------------------|
| <b>Class 1 (18-21mmHg)</b>             |                |                      | <b>Price per pair</b>  |
| Below Knee Open Toe                    | Short, Regular | I,II,III,IV,V,VI,VII | 22.51                  |
| Below Knee Closed Toe                  | Short, Regular | I,II,III,IV,V,VI,VII | 22.51                  |
| Hold Up Open Toe                       | Short, Regular | I,II,III,IV,V,VI,VII | 43.27                  |
| Hold Up Closed Toe                     | Short, Regular | I,II,III,IV,V,VI,VII | 43.27                  |
| Hold Up (Extra Wide) Open Toe          | Short, Regular | I,II,III,IV,V,VI,VII | 43.27                  |
| Hold Up (Extra Wide) Closed Toe        | Short, Regular | I,II,III,IV,V,VI,VII | 43.27                  |
| Tights Open Toe                        | Short, Regular | I,II,III,IV,V,VI,VII | 44.72                  |
| Tights Closed Toe                      | Short, Regular | I,II,III,IV,V,VI,VII | 44.72                  |
|  |                |                      | <b>Price per piece</b> |
| Thigh with Waist Attachment Open Toe   | Short, Regular | I,II,III,IV,V,VI,VII | 23.21                  |
| Thigh with Waist Attachment Closed Toe | Short, Regular | I,II,III,IV,V,VI,VII | 23.21                  |
| <b>Class 2 (23-32mmHg)</b>             |                |                      | <b>Price per pair</b>  |
| Below Knee Open Toe                    | Short, Regular | I,II,III,IV,V,VI,VII | 22.51                  |
| Below Knee Closed Toe                  | Short, Regular | I,II,III,IV,V,VI,VII | 22.51                  |
| Hold Up Open Toe                       | Short, Regular | I,II,III,IV,V,VI,VII | 43.27                  |
| Hold Up Closed Toe                     | Short, Regular | I,II,III,IV,V,VI,VII | 43.27                  |
| Hold Up (Extra Wide) Open Toe          | Short, Regular | I,II,III,IV,V,VI,VII | 43.27                  |
| Hold Up (Extra Wide) Closed Toe        | Short, Regular | I,II,III,IV,V,VI,VII | 43.27                  |
| Tights Open Toe                        | Short, Regular | I,II,III,IV,V,VI,VII | 49.12                  |
| Tights Closed Toe                      | Short, Regular | I,II,III,IV,V,VI,VII | 49.12                  |
|  |                |                      | <b>Price per piece</b> |
| Thigh with Waist Attachment Open Toe   | Short, Regular | I,II,III,IV,V,VI,VII | 23.21                  |
| Thigh with Waist Attachment Closed Toe | Short, Regular | I,II,III,IV,V,VI,VII | 23.21                  |
| <b>Class 3 (34-46mmHg)</b>             |                |                      | <b>Price per pair</b>  |
| Below Knee Open Toe                    | Short, Regular | I,II,III,IV,V,VI,VII | 22.51                  |
| Below Knee Closed Toe                  | Short, Regular | I,II,III,IV,V,VI,VII | 22.51                  |
| Hold Up Open Toe                       | Short, Regular | I,II,III,IV,V,VI,VII | 43.27                  |
| Hold Up Closed Toe                     | Short, Regular | I,II,III,IV,V,VI,VII | 43.27                  |
| Hold Up (Extra Wide) Open Toe          | Short, Regular | I,II,III,IV,V,VI,VII | 43.27                  |
| Hold Up (Extra Wide) Closed Toe        | Short, Regular | I,II,III,IV,V,VI,VII | 43.27                  |
| Tights Open Toe                        | Short, Regular | I,II,III,IV,V,VI,VII | 52.35                  |
| Tights Closed Toe                      | Short, Regular | I,II,III,IV,V,VI,VII | 52.35                  |
|  |                |                      | <b>Price per piece</b> |
| Thigh with Waist Attachment Open Toe   | Short, Regular | I,II,III,IV,V,VI,VII | 25.55                  |
| Thigh with Waist Attachment Closed Toe | Short, Regular | I,II,III,IV,V,VI,VII | 25.55                  |

**Altiven Armsleeves**

| Style   | Lengths | Sizes             |                        |
|---|---------|-------------------|------------------------|
| <b>Class 1 (18-21mmHg)</b>                    |         |                   | <b>Price per piece</b> |
| Axilla – Wrist                                | Regular | I, II, III, IV, V | 11.92                  |
| Axilla – Wrist with Grip Top                  | Regular | I, II, III, IV, V | 15.90                  |
| Axilla – Mitten                               | Regular | I, II, III, IV, V | 21.63                  |
| Axilla – Mitten with Grip Top                 | Regular | I, II, III, IV, V | 25.60                  |
| Axilla – Wrist with Elbow Pouch               | Regular | I, II, III, IV, V | 11.92                  |
| Axilla – Wrist with Grip Top and Elbow Pouch  | Regular | I, II, III, IV, V | 15.90                  |
| Axilla – Mitten with Elbow Pouch              | Regular | I, II, III, IV, V | 21.63                  |
| Axilla – Mitten with Grip Top and Elbow Pouch | Regular | I, II, III, IV, V | 25.60                  |
| <b>Class 2 (23-32mmHg)</b>                    |         |                   | <b>Price per piece</b> |
| Axilla – Wrist                                | Regular | I, II, III, IV, V | 12.81                  |
| Axilla – Wrist with Grip Top                  | Regular | I, II, III, IV, V | 16.78                  |
| Axilla – Mitten                               | Regular | I, II, III, IV, V | 22.51                  |
| Axilla – Mitten with Grip Top                 | Regular | I, II, III, IV, V | 26.49                  |
| Axilla – Wrist with Elbow Pouch               | Regular | I, II, III, IV, V | 12.81                  |
| Axilla – Wrist with Grip Top and Elbow Pouch  | Regular | I, II, III, IV, V | 16.78                  |
| Axilla – Mitten with Elbow Pouch              | Regular | I, II, III, IV, V | 22.51                  |
| Axilla – Mitten with Grip Top and Elbow Pouch | Regular | I, II, III, IV, V | 26.49                  |

**Altiven Made to Measure**

## Style

**Low Compression (14-18mmHg)**

|  | <b>Price per pair</b>  |
|--|------------------------|
| Below Knee Open Toe                    | 28.54                  |
| Below Knee Closed Toe                  | 28.54                  |
| Thigh High Hold-up Open Toe            | 49.38                  |
| Thigh High Hold-up Closed Toe          | 49.38                  |
| Tights Open Toe                        | 52.67                  |
| Tights Closed Toe                      | 52.67                  |
|  | <b>Price per piece</b> |
| Thigh with Waist Attachment Open Toe   | 28.79                  |
| Thigh with Waist Attachment Closed Toe | 28.79                  |

**Class 1 (18-21mmHg)**

|  | <b>Price per pair</b>  |
|--|------------------------|
| Below Knee Open Toe                    | 28.54                  |
| Below Knee Closed Toe                  | 28.54                  |
| Thigh High Hold-up Open Toe            | 49.38                  |
| Thigh High Hold-up Closed Toe          | 49.38                  |
| Tights Open Toe                        | 52.67                  |
| Tights Closed Toe                      | 52.67                  |
|  | <b>Price per piece</b> |
| Thigh with Waist Attachment Open Toe   | 28.79                  |
| Thigh with Waist Attachment Closed Toe | 28.79                  |

**Class 2 (23-32mmHg)**

|  | <b>Price per pair</b>  |
|--|------------------------|
| Below Knee Open Toe                    | 28.54                  |
| Below Knee Closed Toe                  | 28.54                  |
| Thigh High Hold-up Open Toe            | 49.38                  |
| Thigh High Hold-up Closed Toe          | 49.38                  |
| Tights Open Toe                        | 52.67                  |
| Tights Closed Toe                      | 52.67                  |
|  | <b>Price per piece</b> |
| Thigh with Waist Attachment Open Toe   | 28.79                  |
| Thigh with Waist Attachment Closed Toe | 28.79                  |

**Class 3 (34-46mmHg)**

|  | <b>Price per pair</b>  |
|--|------------------------|
| Below Knee Open Toe                    | 31.44                  |
| Below Knee Closed Toe                  | 31.44                  |
| Thigh High Hold-up Open Toe            | 53.77                  |
| Thigh High Hold-up Closed Toe          | 53.77                  |
| Tights Open Toe                        | 52.67                  |
| Tights Closed Toe                      | 52.67                  |
|  | <b>Price per piece</b> |
| Thigh with Waist Attachment Open Toe   | 31.70                  |
| Thigh with Waist Attachment Closed Toe | 31.70                  |

**Altiven Made to Measure Arm Sleeves**

| Style  | Price per piece |
|--|-----------------|
| <b>Low Compression (12-16mmHg)</b>                     |                 |
| Armsleeve Axilla-Wrist with elbow pocket               | 15.11           |
| Armsleeve Axilla-Wrist                                 | 15.11           |
| Armsleeve Axilla-Wrist with Top Band and elbow pocket  | 20.15           |
| Armsleeve Axilla-Wrist with Top Band                   | 20.15           |
| Armsleeve Axilla-Mitten with elbow pocket              | 27.42           |
| Armsleeve Axilla-Mitten                                | 27.42           |
| Armsleeve Axilla-Mitten with Top Band and elbow pocket | 32.46           |
| Armsleeve Axilla-Mitten with Top Band                  | 32.46           |
| <b>Class 1 (18-21mmHg)</b>                             |                 |
| Armsleeve Axilla-Wrist with elbow pocket               | 15.11           |
| Armsleeve Axilla-Wrist                                 | 15.11           |
| Armsleeve Axilla-Wrist with Top Band and elbow pocket  | 20.15           |
| Armsleeve Axilla-Wrist with Top Band                   | 20.15           |
| Armsleeve Axilla-Mitten with elbow pocket              | 27.42           |
| Armsleeve Axilla-Mitten                                | 27.42           |
| Armsleeve Axilla-Mitten with Top Band and elbow pocket | 32.46           |
| Armsleeve Axilla-Mitten with Top Band                  | 32.46           |
| <b>Class 2 (23-32mmHg)</b>                             |                 |
| Armsleeve Axilla-Wrist with elbow pocket               | 16.23           |
| Armsleeve Axilla-Wrist                                 | 16.23           |
| Armsleeve Axilla-Wrist with Top Band and elbow pocket  | 21.27           |
| Armsleeve Axilla-Wrist with Top Band                   | 21.27           |
| Armsleeve Axilla-Mitten with elbow pocket              | 28.54           |
| Armsleeve Axilla-Mitten                                | 28.54           |
| Armsleeve Axilla-Mitten with Top Band and elbow pocket | 33.58           |
| Armsleeve Axilla-Mitten with Top Band                  | 33.58           |

**Carolon**

| Style                               | Lengths        | Sizes | Price per pair |
|-------------------------------------|----------------|-------|----------------|
| <b>Class 1 (14-17mmHg)</b>          |                |       |                |
| Below Knee                          | Short, Regular | A-G   | 19.95          |
| Cushion Sock                        | Short, Regular | A-E   | 19.95          |
| <b>Class 2 (18-24mmHg)</b>          |                |       |                |
| Below Knee                          | Short, Regular | A-G   | 19.95          |
| Thigh with silicone band Closed Toe | Short, Regular | A-C   | 39.95          |
|                                     | Regular        | D-E   | 39.95          |
| Thigh with silicone band Open Toe   | Regular        | A-E   | 39.95          |

**Cicatrex**

| Style              | Sizes                  | Price per piece |
|--------------------|------------------------|-----------------|
| <b>(20-36mmHg)</b> |                        |                 |
| Open Finger Glove  | 1, 2, 3, 4, 5, 6, 7, 8 | 34.00           |
| Open Foot Toe Cap  | 1, 2, 3, 4             | 22.00           |
| Sleeve             | 1, 2, 3, 4, 5, 6       | 14.00           |

**Comfy Care**

| Style                      | Lengths          | Sizes       | Price per pair |
|----------------------------|------------------|-------------|----------------|
| <b>Class 1 (18-21mmHg)</b> |                  |             |                |
| Below knee Closed Toe      | 38-44cm, 45-50cm | S, M, L, XL | 21.00          |
| Below knee Open Toe        | 38-44cm, 45-50cm | S, M, L, XL | 21.00          |
| Thigh High Closed Toe      | 65-73cm, 74-82cm | S, M, L, XL | 21.00          |
| <b>Class 2 (23-32mmHg)</b> |                  |             |                |
| Below knee Closed Toe      | 38-44cm, 45-50cm | S, M, L, XL | 21.00          |
| Below knee Open Toe        | 38-44cm, 45-50cm | S, M, L, XL | 21.00          |
| Thigh High Closed Toe      | 65-73cm, 74-82cm | S, M, L, XL | 21.00          |
| Thigh High Open Toe        | 65-73cm, 74-82cm | S, M, L, XL | 21.00          |

**Compressana Calypso 70**

| Style                       | Sizes                 | Price per pair |
|-----------------------------|-----------------------|----------------|
| <b>Class 1 (10-17mmHg)</b>  |                       |                |
| Below Knee Closed Toe       | I, II, III, IV, V, VI | 16.53          |
| Thigh High Closed Toe       | I, II, III, IV, V     | 21.70          |
| Tights Closed Toe           | I, II, III, IV, V, VI | 26.86          |
| Tights Queensize Closed Toe | III, VI               | 26.86          |

**Compressana Calypso 140**

| Style                       | Sizes                 | Price per pair |
|-----------------------------|-----------------------|----------------|
| <b>Class 2 (15-18mmHg)</b>  |                       |                |
| Below Knee Closed Toe       | I, II, III, IV, V, VI | 16.53          |
| Thigh High Closed Toe       | I, II, III, IV, V     | 21.70          |
| Tights Closed Toe           | I, II, III, IV, V, VI | 26.86          |
| Tights Queensize Closed Toe | III, VI               | 26.86          |

**Eurostar**

- Custom made for the lower limb

| Garment Type                   | Code  | Price per piece |
|--------------------------------|-------|-----------------|
| <b>Class 2 (23-32mmHg)</b>     |       |                 |
| Foot with open toe             | ES2FP | 46.49           |
| Below Knee                     | ES2AD | 36.16           |
| Thigh High with Grip Top       | ES2AG | 51.66           |
| Thigh High with Hip Attachment | ES2H  | 59.92           |
| Tights Open Toe                | ES2AT | 149.81          |
| Capri pants                    | ES2CP | 122.95          |
| Bermuda pants                  | ES2BP | 99.18           |

*NB: The garments are available with additional options. These are priced separately. See below*

|                           |     |       |
|---------------------------|-----|-------|
| Adhesive Border           | ES2 | 6.72  |
| Anatomically Flexed Form  | ES7 | 6.20  |
| Ball Stub (Diagonal Foot) | ES4 | 6.20  |
| Closed Toe                | ES1 | 0.52  |
| Fly                       | ES3 | 10.33 |
| Instep Stitching (T Heel) | ES5 | 5.99  |
| Non-Standard Colour       | ES8 | 0.00  |
| Overheight (Slipform)     | ES6 | 6.20  |

**Euroform**

- Custom made for the lower limb

| Garment Type                   | Code  | Price per piece |
|--------------------------------|-------|-----------------|
| <b>Class 3 (34-46mmHg)</b>     |       |                 |
| Below Knee                     | EF3AD | 39.26           |
| Thigh High with Grip Top       | EF3AG | 56.82           |
| Thigh High with Hip Attachment | EF3H  | 63.02           |
| Tights Open Toe                | EF3AT | 170.47          |
| Capri pants                    | EF3CP | 129.14          |
| Bermuda pants                  | EF3BP | 104.14          |

*NB: The garments are available with additional options. These are priced separately. See below*

|                           |     |       |
|---------------------------|-----|-------|
| Adhesive Border           | ES2 | 6.72  |
| Anatomically Flexed Form  | ES7 | 6.20  |
| Ball Stub (Diagonal Foot) | ES4 | 6.20  |
| Closed Toe                | ES1 | 0.52  |
| Fly                       | ES3 | 10.33 |
| Instep Stitching (T Heel) | ES5 | 5.99  |
| Non-Standard Colour       | ES8 | 0.00  |
| Overheight (Slipform)     | ES6 | 6.20  |

**Euroform Special**

- Custom made for the lower limb

| Garment Type  | Code  | Price per piece |
|---|-------|-----------------|
| <b>Class 4 (49-70mmHg)</b>  |       |                 |
| Below Knee  | EF4AD | 42.36           |
| Thigh High with Grip Top  | EF4AG | 61.99           |
| Thigh High with Hip Attachment  | EF4H  | 69.22           |
| Tights Open Toe   | EF4AT | 191.13          |
| Capri pants   | EF4CP | 144.64          |
| Bermuda pants   | EF4BP | 123.98          |
| <i>NB: The garments are available with additional options. These are priced separately. See below</i> |       |                 |
| Adhesive Border   | ES2   | 6.72            |
| Anatomically Flexed Form  | ES7   | 6.20            |
| Ball Stub (Diagonal Foot)   | ES4   | 6.20            |
| Closed Toe  | ES1   | 0.52            |
| Fly   | ES3   | 10.33           |
| Instep Stitching (T Heel)   | ES5   | 5.99            |
| Non-Standard Colour   | ES8   | 0.00            |
| Overheight (Slipform)   | ES6   | 6.20            |

**Euroform Super**

- Custom made for the lower limb

| Garment Type  | Code   | Price per piece |
|---|--------|-----------------|
| <b>Class 4S (60-90mmHg)</b>   |        |                 |
| Below Knee  | EF4SAD | 45.46           |
| Thigh High with Grip Top  | EF4SAG | 65.09           |
| Thigh High with Hip Attachment  | EF4SH  | 69.22           |
| Tights Open Toe   | EF4SAT | 191.13          |
| Capri pants   | EF4SCP | 144.64          |
| Bermuda pants   | EF4SBP | 123.98          |
| <i>NB: The garments are available with additional options. These are priced separately. See below</i> |        |                 |
| Adhesive Border   | ES2    | 6.72            |
| Anatomically Flexed Form  | ES7    | 6.20            |
| Ball Stub (Diagonal Foot)   | ES4    | 6.20            |
| Closed Toe  | ES1    | 0.52            |
| Fly   | ES3    | 10.33           |
| Instep Stitching (T Heel)   | ES5    | 5.99            |
| Non-Standard Colour   | ES8    | 0.00            |
| Overheight (Slipform)   | ES6    | 6.20            |

**Fitlegs**

| Style                      | Sizes       | Price per pair |
|----------------------------|-------------|----------------|
| <b>Class 2 (23-32mmHg)</b> |             |                |
| Below Knee Closed Toe      | S, M, L, XL | 15.00          |
| Thigh Length Closed Toe    | S, M, L, XL | 20.00          |
| Tights Closed Toe          | S, M, L, XL | 35.00          |

**Gloria Med Armsleeve**

| Style  | Length      | Sizes       |                        |
|--|-------------|-------------|------------------------|
| <b>Class 1 (18-21mmHg)</b>                         |             |             | <b>Price per piece</b> |
| Armsleeve without Mitten with Grip Top             | Short, Long | S, M, L, XL | 20.60                  |
| Armsleeve with Shoulder Strap without Mitten       | Short, Long | S, M, L, XL | 22.50                  |
| Armsleeve Combined with Mitten with Grip Top       | Short, Long | S, M, L, XL | 30.98                  |
| Armsleeve Combined with Shoulder Strap with Mitten | Short, Long | S, M, L, XL | 30.98                  |
| <b>Class 2 (23-32mmHg)</b>                         |             |             | <b>Price per piece</b> |
| Armsleeve without Mitten with Grip Top             | Short, Long | S, M, L, XL | 20.60                  |
| Armsleeve with Shoulder Strap without Mitten       | Short, Long | S, M, L, XL | 22.50                  |
| Armsleeve Combined with Mitten with Grip Top       | Short, Long | S, M, L, XL | 30.98                  |
| Armsleeve Combined with Shoulder Strap with Mitten | Short, Long | S, M, L, XL | 30.98                  |

**Gloria Med Comfort**

| Style   | Length      | Sizes           |                        |
|---|-------------|-----------------|------------------------|
| <b>Class 1 (18-21mmHg)</b>                                    |             |                 | <b>Price per pair</b>  |
| Below Knee Open Toe   | Short, Long | XS, S, M, L, XL | 27.20                  |
| Below Knee Open Toe Max                                       | Short, Long | XS, S, M, L, XL | 27.20                  |
| Below Knee Closed Toe   | Short, Long | XS, S, M, L, XL | 27.20                  |
| Below Knee Closed Toe Max                                     | Short, Long | XS, S, M, L, XL | 27.20                  |
| Thigh High Open Toe   | Short, Long | XS, S, M, L, XL | 42.22                  |
| Thigh High Open Toe Max                                       | Short, Long | XS, S, M, L, XL | 42.22                  |
| Thigh High Open Toe with Silicone Border                      | Short, Long | XS, S, M, L, XL | 45.32                  |
| Thigh High Open Toe with Silicone Border Max                  | Short, Long | XS, S, M, L, XL | 45.32                  |
|   |             |                 | <b>Price per piece</b> |
| Thigh High Open Toe with Waist Attachment (Left or Right)     | Short, Long | XS, S, M, L, XL | 28.00                  |
| Thigh High Open Toe with Waist Attachment (Left or Right) Max | Short, Long | XS, S, M, L, XL | 28.00                  |
| <b>Class 2 (23-32mmHg)</b>                                    |             |                 | <b>Price per pair</b>  |
| Below Knee Open Toe   | Short, Long | XS, S, M, L, XL | 27.20                  |
| Below Knee Open Toe Max                                       | Short, Long | XS, S, M, L, XL | 27.20                  |
| Below Knee Closed Toe   | Short, Long | XS, S, M, L, XL | 27.20                  |
| Below Knee Closed Toe Max                                     | Short, Long | XS, S, M, L, XL | 27.20                  |
| Thigh High Open Toe   | Short, Long | XS, S, M, L, XL | 42.22                  |
| Thigh High Open Toe Max                                       | Short, Long | XS, S, M, L, XL | 42.22                  |
| Thigh High Open Toe with Silicone Border                      | Short, Long | XS, S, M, L, XL | 45.32                  |
| Thigh High Open Toe with Silicone Border Max                  | Short, Long | XS, S, M, L, XL | 45.32                  |
|   |             |                 | <b>Price per piece</b> |
| Thigh High Open Toe with Waist Attachment (Left or Right)     | Short, Long | XS, S, M, L, XL | 28.00                  |
| Thigh High Open Toe with Waist Attachment (Left or Right) Max | Short, Long | XS, S, M, L, XL | 28.00                  |

**Gloria Med Gentleman**

| Style                      | Length      | Sizes       |                       |
|----------------------------|-------------|-------------|-----------------------|
| <b>Class 1 (18-21mmHg)</b> |             |             | <b>Price per pair</b> |
| Below Knee Closed Toe      | Short, Long | S, M, L, XL | 27.96                 |
| Below Knee Closed Toe Max  | Short, Long | S, M, L, XL | 27.96                 |
| <b>Class 2 (23-32mmHg)</b> |             |             | <b>Price per pair</b> |
| Below Knee Closed Toe      | Short, Long | S, M, L, XL | 27.96                 |
| Below Knee Closed Toe Max  | Short, Long | S, M, L, XL | 27.96                 |

**Gloria Med Micro**

| Style   | Length      | Sizes           |                       |
|---|-------------|-----------------|-----------------------|
| <b>Class 1 (18-21mmHg)</b>                                    |             |                 | <b>Price per pair</b> |
| Below Knee Open Toe   | Short, Long | XS, S, M, L, XL | 26.96                 |
| Below Knee Open Toe Max                                       | Short, Long | XS, S, M, L, XL | 26.96                 |
| Below Knee Closed Toe   | Short, Long | XS, S, M, L, XL | 26.96                 |
| Below Knee Closed Toe Max                                     | Short, Long | XS, S, M, L, XL | 26.96                 |
| Thigh High Open Toe with Silicone Border                      | Short, Long | XS, S, M, L, XL | 48.45                 |
| Thigh High Open Toe with Silicone Border Max                  | Short, Long | XS, S, M, L, XL | 48.45                 |
| Thigh High Closed Toe with Silicone Border                    | Short, Long | XS, S, M, L, XL | 48.45                 |
| Thigh High Closed Toe with Silicone Border Max                | Short, Long | XS, S, M, L, XL | 48.45                 |
| Tights Closed Toe   | Short, Long | XS, S, M, L, XL | 52.81                 |
| Tights Closed Toe Max   | Short, Long | XS, S, M, L, XL | 52.81                 |
|   |             |                 | <b>Price each</b>     |
| Thigh High Open Toe with Waist Attachment (Left or Right)     | Short, Long | XS, S, M, L, XL | 29.98                 |
| Thigh High Open Toe with Waist Attachment (Left or Right) Max | Short, Long | XS, S, M, L, XL | 29.98                 |
| <b>Class 2 (23-32mmHg)</b>                                    |             |                 | <b>Price per pair</b> |
| Below Knee Open Toe   | Short, Long | XS, S, M, L, XL | 26.96                 |
| Below Knee Open Toe Max                                       | Short, Long | XS, S, M, L, XL | 26.96                 |
| Below Knee Closed Toe   | Short, Long | XS, S, M, L, XL | 26.96                 |
| Below Knee Closed Toe Max                                     | Short, Long | XS, S, M, L, XL | 26.96                 |
| Thigh High Open Toe with Silicone Border                      | Short, Long | XS, S, M, L, XL | 48.45                 |
| Thigh High Open Toe with Silicone Border Max                  | Short, Long | XS, S, M, L, XL | 48.45                 |
| Thigh High Closed Toe with Silicone Border                    | Short, Long | XS, S, M, L, XL | 48.45                 |
| Thigh High Closed Toe with Silicone Border Max                | Short, Long | XS, S, M, L, XL | 48.45                 |
| Tights Closed Toe   | Short, Long | XS, S, M, L, XL | 52.81                 |
| Tights Closed Toe Max   | Short, Long | XS, S, M, L, XL | 52.81                 |
|   |             |                 | <b>Price each</b>     |
| Thigh High Open Toe with Waist Attachment (Left or Right)     | Short, Long | XS, S, M, L, XL | 29.98                 |
| Thigh High Open Toe with Waist Attachment (Left or Right) Max | Short, Long | XS, S, M, L, XL | 29.98                 |

**Gloria Med Soft**

| Style   | Length      | Sizes    |                        |
|---|-------------|----------|------------------------|
| <b>Class 1 (18-21mmHg)</b>                              |             |          | <b>Price per pair</b>  |
| Below Knee Closed Toe                                   | Short, Long | M, L, XL | 27.15                  |
| Below Knee Closed Toe Max                               | Short, Long | M, L, XL | 27.15                  |
| Below Knee Open Toe                                     | Short, Long | M, L, XL | 27.15                  |
| Below Knee Open Toe Max                                 | Short, Long | M, L, XL | 27.15                  |
|   |             |          | <b>Price per piece</b> |
| Thigh High Open Toe with Waist Attachment Left Leg      | Short, Long | M, L, XL | 28.16                  |
| Thigh High Open Toe with Waist Attachment Left Leg Max  | Short, Long | M, L, XL | 28.16                  |
| Thigh High Open Toe with Waist Attachment Right Leg     | Short, Long | M, L, XL | 28.16                  |
| Thigh High Open Toe with Waist Attachment Right Leg Max | Short, Long | M, L, XL | 28.16                  |
| <b>Class 2 (23-32mmHg)</b>                              |             |          | <b>Price per pair</b>  |
| Below Knee Closed Toe                                   | Short, Long | M, L, XL | 27.15                  |
| Below Knee Closed Toe Max                               | Short, Long | M, L, XL | 27.15                  |
| Below Knee Open Toe                                     | Short, Long | M, L, XL | 27.15                  |
| Below Knee Open Toe Max                                 | Short, Long | M, L, XL | 27.15                  |
|   |             |          | <b>Price per piece</b> |
| Thigh High Open Toe with Waist Attachment Left Leg      | Short, Long | M, L, XL | 28.16                  |
| Thigh High Open Toe with Waist Attachment Left Leg Max  | Short, Long | M, L, XL | 28.16                  |
| Thigh High Open Toe with Waist Attachment Right Leg     | Short, Long | M, L, XL | 28.16                  |
| Thigh High Open Toe with Waist Attachment Right Leg Max | Short, Long | M, L, XL | 28.16                  |

**Gloria Med Strong**

| Style   | Length      | Sizes         |                       |
|---|-------------|---------------|-----------------------|
| <b>Class 2 (23-32mmHg)</b>                                    |             |               | <b>Price per pair</b> |
| Below Knee Open Toe   | Short, Long | M, L, XL, XXL | 27.24                 |
| Below Knee Open Toe Max                                       | Short, Long | M, L, XL      | 27.24                 |
| Thigh High Open Toe   | Short, Long | M, L, XL, XXL | 49.43                 |
| Thigh High Open Toe Max                                       | Short, Long | M, L, XL      | 49.43                 |
| Thigh High Open Toe with Silicone Grip Top                    | Short, Long | M, L, XL, XXL | 52.18                 |
| Thigh High Open Toe with Silicone Grip Top Max                | Short, Long | M, L, XL      | 52.18                 |
|   |             |               | <b>Price each</b>     |
| Thigh High Open Toe with Waist Attachment (Left or Right)     | Short, Long | M, L, XL, XXL | 35.20                 |
| Thigh High Open Toe with Waist Attachment (Left or Right) Max | Short, Long | M, L, XL      | 35.20                 |
| <b>Class 3 (34-46mmHg)</b>                                    |             |               | <b>Price per pair</b> |
| Below Knee Open Toe   | Short, Long | M, L, XL, XXL | 29.15                 |
| Below Knee Open Toe Max                                       | Short, Long | M, L, XL      | 29.15                 |
| Thigh High Open Toe   | Short, Long | M, L, XL, XXL | 50.72                 |
| Thigh High Open Toe Max                                       | Short, Long | M, L, XL      | 50.72                 |
| Thigh High Open Toe with Silicone Grip Top                    | Short, Long | M, L, XL, XXL | 53.23                 |
| Thigh High Open Toe with Silicone Grip Top Max                | Short, Long | M, L, XL      | 53.23                 |
|   |             |               | <b>Price each</b>     |
| Thigh High Open Toe with Waist Attachment (Left or Right)     | Short, Long | M, L, XL, XXL | 37.70                 |
| Thigh High Open Toe with Waist Attachment (Left or Right) Max | Short, Long | M, L, XL      | 37.70                 |



**Haddenham Custom Goldpunkt**

- a firmer fabric for the lower limb

| Garment Type  | Code  | Price per piece |
|---|-------|-----------------|
| <b>Class 2 (23-32mmHg)</b>  |       |                 |
| Toe Cap   | GP-12 | 46.29           |
| Below Knee  | GP-22 | 36.60           |
| Thigh High  | GP-32 | 44.67           |
| Thigh High with Waist Attachment  | GP-42 | 61.35           |
| Pantyhose   | GP-52 | 169.90          |
| <b>Class 3 (34-46mmHg)</b>  |       |                 |
| Toe Cap   | GP-13 | 48.44           |
| Below Knee  | GP-23 | 39.83           |
| Thigh High  | GP-33 | 48.44           |
| Thigh High with Waist Attachment  | GP-43 | 65.66           |
| Pantyhose   | GP-53 | 180.60          |
| <b>Class 4 (49-70mmHg)</b>  |       |                 |
| Below Knee  | GP-24 | 41.98           |
| Thigh High  | GP-34 | 54.36           |
| Thigh High with Waist Attachment  | GP-44 | 71.58           |
| Pantyhose   | GP-54 | 196.37          |
| <i>NB: The garments are available with additional options. These are priced separately. See below</i> |       |                 |
| Silicone Grip Top   | CM-90 | 8.07            |
| 2 Malleolus pads  | CM-91 | 21.53           |
| Zip   | CM-92 | 22.60           |
| Velcro Fastening  | CM-93 | 21.53           |
| Velcro Strap  | CM-94 | 3.23            |

**Haddenham Custom Goldpunkt**

- a firmer fabric for the upper limb

| Garment Type  | Code  | Price per piece |
|---|-------|-----------------|
| <b>Class 2 (23-32mmHg)</b>  |       |                 |
| Glove no Fingers (gauntlet)   | GP-62 | 38.21           |
| Glove with Fingers  | GP-65 | 64.58           |
| Armsleeve - Wrist to Axilla   | GP-72 | 39.29           |
| Armsleeve - with Glove no Fingers   | GP-75 | 72.66           |
| Armsleeve - with Glove and Fingers  | GP-78 | 99.03           |
| <b>Class 3 (34-46mmHg)</b>  |       |                 |
| Glove no Fingers (gauntlet)   | GP-63 | 39.29           |
| Glove with Fingers  | GP-66 | 66.20           |
| Armsleeve - Wrist to Axilla   | GP-73 | 39.83           |
| Armsleeve - with Glove no Fingers   | GP-76 | 73.19           |
| Armsleeve - with Glove and Fingers  | GP-79 | 100.10          |
| <i>NB: The garments are available with additional options. These are priced separately. See below</i> |       |                 |
| Silicone Grip Top   | CM-80 | 4.31            |
| Zip   | CM-81 | 22.60           |
| Shoulder Cap  | CM-83 | 13.45           |

**Haddenham Custom pertex**

- a softer fabric for the lower limb

| Garment Type  | Code  | Price per piece |
|---|-------|-----------------|
| <b>Class 1 (18-21mmHg)</b>  |       |                 |
| Toe Cap   | PX-11 | 44.13           |
| Below Knee  | PX-21 | 33.91           |
| Thigh High  | PX-31 | 40.36           |
| Thigh High with Waist Attachment  | PX-41 | 62.97           |
| Pantyhose   | PX-51 | 146.93          |
| <b>Class 2 (23-32mmHg)</b>  |       |                 |
| Toe Cap   | PX-12 | 45.21           |
| Below Knee  | PX-22 | 36.06           |
| Thigh High  | PX-32 | 44.13           |
| Thigh High with Waist Attachment  | PX-42 | 61.35           |
| Pantyhose   | PX-52 | 162.54          |
| <b>Class 3 (34-46mmHg)</b>  |       |                 |
| Toe Cap   | PX-13 | 47.36           |
| Below Knee  | PX-23 | 39.29           |
| Thigh High  | PX-33 | 47.36           |
| Thigh High with Waist Attachment  | PX-43 | 64.58           |
| Pantyhose   | PX-53 | 172.22          |
| <i>NB: The garments are available with additional options. These are priced separately. See below</i> |       |                 |
| Silicone Grip Top   | CM-90 | 8.07            |
| 2 Malleolus pads  | CM-91 | 21.53           |
| Zip   | CM-92 | 22.60           |
| Velcro Fastening  | CM-93 | 21.53           |
| Velcro Strap  | CM-94 | 3.23            |

**Haddenham Custom pertex**

- a softer fabric for the upper limb

| Garment Type  | Code  | Price per piece |
|---|-------|-----------------|
| <b>Class 1 (18-21mmHg)</b>  |       |                 |
| Glove no Fingers (gauntlet)   | PX-61 | 36.06           |
| Glove with Fingers  | PX-64 | 55.97           |
| Armsleeve - Wrist to Axilla   | PX-71 | 35.52           |
| Armsleeve - with Glove no Fingers   | PX-74 | 69.97           |
| Armsleeve - with Glove and Fingers  | PX-77 | 89.88           |
| <b>Class 2 (23-32mmHg)</b>  |       |                 |
| Glove no Fingers (gauntlet)   | PX-62 | 37.67           |
| Glove with Fingers  | PX-65 | 63.51           |
| Armsleeve - Wrist to Axilla   | PX-72 | 36.60           |
| Armsleeve - with Glove no Fingers   | PX-75 | 71.04           |
| Armsleeve - with Glove and Fingers  | PX-78 | 96.88           |
| <b>Class 3 (34-46mmHg)</b>  |       |                 |
| Glove no Fingers (gauntlet)   | PX-63 | 39.29           |
| Glove with Fingers  | PX-66 | 65.66           |
| Armsleeve - Wrist to Axilla   | PX-73 | 37.67           |
| Armsleeve - with Glove no Fingers   | PX-76 | 72.12           |
| Armsleeve - with Glove and Fingers  | PX-79 | 99.03           |
| <i>NB: The garments are available with additional options. These are priced separately. See below</i> |       |                 |
| Silicone Grip Top   | CM-80 | 4.31            |
| Zip   | CM-81 | 22.60           |
| Shoulder Cap  | CM-83 | 13.45           |

**Haddenham Doktus**

| Style  | Length        | Sizes       | Price per piece |
|--|---------------|-------------|-----------------|
| <b>Class 2 (23-32mmHg)</b>                     |               |             |                 |
| Armsleeve                                      | Regular, Long | XS, S, M, L | 15.64           |
| Armsleeve Extra Wide                           | Regular, Long | XS, S, M, L | 16.71           |
| Armsleeve with Mitten                          | Regular, Long | XS, S, M, L | 28.04           |
| Armsleeve with Mitten Extra Wide               | Regular, Long | XS, S, M, L | 29.12           |
| Armsleeve with Grip Top                        | Regular, Long | XS, S, M, L | 18.87           |
| Armsleeve with Grip Top Extra Wide             | Regular, Long | XS, S, M, L | 19.95           |
| Armsleeve with Grip Top with Mitten            | Regular, Long | XS, S, M, L | 31.28           |
| Armsleeve with Grip Top with Mitten Extra Wide | Regular, Long | XS, S, M, L | 32.35           |
| <b>Class 3 (34-46mmHg)</b>                     |               |             |                 |
| Armsleeve                                      | Regular, Long | XS, S, M, L | 15.64           |
| Armsleeve Extra Wide                           | Regular, Long | XS, S, M, L | 16.71           |
| Armsleeve with Mitten                          | Regular, Long | XS, S, M, L | 28.04           |
| Armsleeve with Mitten Extra Wide               | Regular, Long | XS, S, M, L | 29.12           |
| Armsleeve with Grip Top                        | Regular, Long | XS, S, M, L | 18.87           |
| Armsleeve with Grip Top Extra Wide             | Regular, Long | XS, S, M, L | 19.95           |
| Armsleeve with Grip Top with Mitten            | Regular, Long | XS, S, M, L | 31.28           |
| Armsleeve with Grip Top with Mitten Extra Wide | Regular, Long | XS, S, M, L | 32.35           |

**Haddenham Doktus MTO**

| Style  | Code  | Price per pair |
|--|-------|----------------|
| <b>Class 2 (23-32mmHg)</b>                   |       |                |
| Below Knee                                   | DK-20 | 28.34          |
| Below Knee with Grip Top                     | DK-22 | 34.65          |
| Thigh High                                   | DK-21 | 45.30          |
| Thigh High with Grip Top                     | DK-23 | 51.61          |
| Thigh High with Waistband                    | DK-24 | 51.98          |
| <b>Price per piece</b>                       |       |                |
| Thigh High with Waist Attachment (Left Leg)  | DK-25 | 31.51          |
| Thigh High with Waist Attachment (Right Leg) | DK-26 | 31.51          |
| Tights                                       | DK-27 | 50.83          |
| One Legged Tights (Left Leg)                 | DK-29 | 50.83          |
| One Legged Tights (Right Leg)                | DK-28 | 50.83          |
| <b>Class 3 (34-46mmHg)</b>                   |       |                |
| Below Knee                                   | DK-30 | 28.34          |
| Below Knee with Grip Top                     | DK-32 | 34.65          |
| Thigh High                                   | DK-31 | 45.30          |
| Thigh High with Grip Top                     | DK-33 | 51.61          |
| Thigh High with Waistband                    | DK-34 | 51.98          |
| <b>Price per piece</b>                       |       |                |
| Thigh High with Waist Attachment (Left Leg)  | DK-35 | 31.51          |
| Thigh High with Waist Attachment (Right Leg) | DK-36 | 31.51          |
| Tights                                       | DK-37 | 50.83          |
| One Legged Tights (Left Leg)                 | DK-39 | 50.83          |
| One Legged Tights (Right Leg)                | DK-38 | 50.83          |

**Part III (e)****Appliances - Lymphoedema Garments**

*NB: The garments are available with additional options. See below*

|                           |        |
|---------------------------|--------|
| Long leg                  | DK-LL  |
| Short leg                 | DK-SL  |
| Long foot                 | DK-LF  |
| Short foot                | DK-SF  |
| Open toe                  | DK-OT  |
| Extra wide                | DK-EW  |
| Non-standard colour       | DK-NSC |
| 3cm strong plain grip top | DK-G1  |
| 5cm strong plain grip top | DK-G2  |
| 5cm strong lace grip top  | DK-G3  |
| 5cm fine lace grip top    | DK-G4  |
| Open front panty          | DK-OF  |
| Loose fit to panty        | DK-RF  |
| No gusset panty           | DK-NG  |
| Footless tights           | DK-NF  |
| Half compression panty    | DK-HC  |
| Full compression panty    | DK-FC  |
| Fly for men               | DK-FY  |

**Haddenham EasyWrap**

| Style                     | Length               | Sizes           | Price per piece |
|---------------------------|----------------------|-----------------|-----------------|
| <b>Light (20-30mmHg)</b>  |                      |                 |                 |
| Arm (Right, Left)         | Short, Regular, Long | S, M, L, XL     | 139.94          |
| Hand (Right, Left)        |                      | XS, S, M, L     | 29.02           |
| Foot                      | Regular, Long        | XS, S, M, L, XL | 37.31           |
| Leg                       | Regular, Tall        | XS, S, M, L, XL | 133.21          |
| Thigh                     | Short, Regular, Tall | XS, S, M, L, XL | 133.21          |
| <b>Strong (30-40mmHg)</b> |                      |                 |                 |
| Foot                      | Regular, Long        | XS, S, M, L, XL | 37.31           |
| Leg                       | Regular, Tall        | XS, S, M, L, XL | 133.21          |
| Thigh                     | Short, Regular, Tall | XS, S, M, L, XL | 133.21          |

**Haddenham Fusion**

| Style                     | Sizes           | Price per pair |
|---------------------------|-----------------|----------------|
| <b>Light (20-30mmHg)</b>  |                 |                |
| Below Knee                | XS, S, M, L, XL | 25.63          |
| <b>Strong (30-40mmHg)</b> |                 |                |
| Below Knee                | XS, S, M, L, XL | 25.63          |

**Haddenham Microfine**

| Style                          | Sizes           | Price per piece |
|--------------------------------|-----------------|-----------------|
| <b>(20-36mmHg)</b>             |                 |                 |
| Glove with compressive fingers | XS, S, M, L     | 44.00           |
| Toe Cap with compressive toes  | XS, S, M, L, XL | 28.04           |

**Haddenham Star Cotton**

– for lower extremities

| Style  | Length               | Sizes                     | Price per pair |
|--|----------------------|---------------------------|----------------|
| <b>Class 1 (18-21mmHg)</b>                     |                      |                           |                |
| Below Knee Open Toe                            | Short, Regular, Long | I,II,III,IV,V,VI,VII,VIII | 28.04          |
| Below Knee Closed Toe                          | Short, Regular, Long | I,II,III,IV,V,VI,VII,VIII | 28.04          |
| Below Knee Extra Wide Open Toe                 | Short, Regular, Long | I,II,III,IV,V,VI,VII,VIII | 31.27          |
| Below Knee Extra Wide Closed Toe               | Short, Regular, Long | I,II,III,IV,V,VI,VII,VIII | 31.27          |
| Thigh High with Grip Top Open Toe              | Short, Regular, Long | I,II,III,IV,V,VI,VII      | 51.77          |
| Thigh High with Grip Top Closed Toe            | Short, Regular, Long | I,II,III,IV,V,VI,VII      | 51.77          |
| Thigh High with Grip Top Extra Wide Open Toe   | Short, Regular, Long | I,II,III,IV,V,VI,VII      | 55.00          |
| Thigh High with Grip Top Extra Wide Closed Toe | Short, Regular, Long | I,II,III,IV,V,VI,VII      | 55.00          |
| Tights Open/Closed Toe                         | Short, Regular, Long | I,II,III,IV,V,VI,VII      | 51.77          |
| Tights Extra Wide Open/Closed Toe              | Short, Regular, Long | I,II,III,IV,V,VI,VII      | 52.84          |
| <b>Class 2 (23-32mmHg)</b>                     |                      |                           |                |
| Below Knee Open Toe                            | Short, Regular, Long | I,II,III,IV,V,VI,VII,VIII | 28.04          |
| Below Knee Closed Toe                          | Short, Regular, Long | I,II,III,IV,V,VI,VII,VIII | 28.04          |
| Below Knee Extra Wide Open Toe                 | Short, Regular, Long | I,II,III,IV,V,VI,VII,VIII | 31.27          |
| Below Knee Extra Wide Closed Toe               | Short, Regular, Long | I,II,III,IV,V,VI,VII,VIII | 31.27          |
| Thigh High with Grip Top Open Toe              | Short, Regular, Long | I,II,III,IV,V,VI,VII      | 51.77          |
| Thigh High with Grip Top Closed Toe            | Short, Regular, Long | I,II,III,IV,V,VI,VII      | 51.77          |
| Thigh High with Grip Top Extra Wide Open Toe   | Short, Regular, Long | I,II,III,IV,V,VI,VII      | 55.00          |
| Thigh High with Grip Top Extra Wide Closed Toe | Short, Regular, Long | I,II,III,IV,V,VI,VII      | 55.00          |
| Tights Open/Closed Toe                         | Short, Regular, Long | I,II,III,IV,V,VI,VII      | 51.77          |
| Tights Extra Wide Open/Closed Toe              | Short, Regular, Long | I,II,III,IV,V,VI,VII      | 55.00          |

**Haddenham Star Cotton**

– for upper extremities

| Style  | Length        | Sizes       | Price per piece |
|--|---------------|-------------|-----------------|
| <b>Class 1 (18-21mmHg)</b>                     |               |             |                 |
| Armsleeve                                      | Regular, Long | XS, S, M, L | 15.64           |
| Armsleeve Extra Wide                           | Regular, Long | XS, S, M, L | 16.72           |
| Armsleeve with Mitten                          | Regular, Long | XS, S, M, L | 28.04           |
| Armsleeve with Mitten Extra Wide               | Regular, Long | XS, S, M, L | 29.12           |
| Armsleeve with Grip Top                        | Regular, Long | XS, S, M, L | 18.87           |
| Armsleeve with Grip Top Extra Wide             | Regular, Long | XS, S, M, L | 19.95           |
| Armsleeve with Grip Top with Mitten            | Regular, Long | XS, S, M, L | 31.27           |
| Armsleeve with Grip Top with Mitten Extra Wide | Regular, Long | XS, S, M, L | 32.35           |
| <b>Class 2 (23-32mmHg)</b>                     |               |             |                 |
| Armsleeve                                      | Regular, Long | XS, S, M, L | 15.64           |
| Armsleeve Extra Wide                           | Regular, Long | XS, S, M, L | 16.72           |
| Armsleeve with Mitten                          | Regular, Long | XS, S, M, L | 28.04           |
| Armsleeve with Mitten Extra Wide               | Regular, Long | XS, S, M, L | 29.12           |
| Armsleeve with Grip Top                        | Regular, Long | XS, S, M, L | 18.87           |
| Armsleeve with Grip Top Extra Wide             | Regular, Long | XS, S, M, L | 19.95           |
| Armsleeve with Grip Top with Mitten            | Regular, Long | XS, S, M, L | 31.27           |
| Armsleeve with Grip Top with Mitten Extra Wide | Regular, Long | XS, S, M, L | 32.35           |

**Haddenham Star Cotton MTO**

| Style  | Code  |                        |
|--|-------|------------------------|
| <b>Class 1 (18-21mmHg)</b>                   |       | <b>Price per pair</b>  |
| Below Knee                                   | SC-10 | 28.40                  |
| Below Knee with Grip Top                     | SC-12 | 34.71                  |
| Thigh High                                   | SC-11 | 45.39                  |
| Thigh High with Grip Top                     | SC-13 | 51.70                  |
| Thigh High with Waistband                    | SC-14 | 52.08                  |
|  |       | <b>Price per piece</b> |
| Thigh High with Waist Attachment (Left Leg)  | SC-15 | 31.56                  |
| Thigh High with Waist Attachment (Right Leg) | SC-16 | 31.56                  |
| Tights                                       | SC-17 | 50.92                  |
| One Legged Tights (Left Leg)                 | SC-19 | 50.92                  |
| One Legged Tights (Right Leg)                | SC-18 | 50.92                  |
| <b>Class 2 (23-32mmHg)</b>                   |       | <b>Price per pair</b>  |
| Below Knee                                   | SC-20 | 28.40                  |
| Below Knee with Grip Top                     | SC-22 | 34.71                  |
| Thigh High                                   | SC-21 | 45.39                  |
| Thigh High with Grip Top                     | SC-23 | 51.70                  |
| Thigh High with Waistband                    | SC-24 | 52.08                  |
|  |       | <b>Price per piece</b> |
| Thigh High with Waist Attachment (Left Leg)  | SC-25 | 31.56                  |
| Thigh High with Waist Attachment (Right Leg) | SC-26 | 31.56                  |
| Tights                                       | SC-27 | 50.92                  |
| One Legged Tights (Left Leg)                 | SC-29 | 50.92                  |
| One Legged Tights (Right Leg)                | SC-28 | 50.92                  |

*NB: The garments are available with additional options. See below*

|                           |        |
|---------------------------|--------|
| Long leg                  | SC-LL  |
| Short leg                 | SC-SL  |
| Long foot                 | SC-LF  |
| Short foot                | SC-SF  |
| Open toe                  | SC-OT  |
| Extra wide                | SC-EW  |
| Non-standard colour       | SC-NSC |
| 3cm strong plain grip top | SCG1   |
| 5cm strong plain grip top | SC-G2  |
| 5cm strong lace grip top  | SC-G3  |
| 5cm fine lace grip top    | SC-G4  |
| Open front panty          | SC-OF  |
| Loose fit to panty        | SC-RF  |
| No gusset panty           | SC-NG  |
| Footless tights           | SC-NF  |
| Half compression panty    | SC-HC  |
| Full compression panty    | SC-FC  |
| Fly for men               | SC-FY  |

**Haddenham Venex**

| Style  | Length        | Sizes       | Price per piece |
|--|---------------|-------------|-----------------|
| <b>Class 1 (18-21mmHg)</b>                     |               |             |                 |
| Armsleeve                                      | Regular, Long | XS, S, M, L | 14.56           |
| Armsleeve Extra Wide                           | Regular, Long | XS, S, M, L | 15.64           |
| Armsleeve with Mitten                          | Regular, Long | XS, S, M, L | 26.96           |
| Armsleeve with Mitten Extra Wide               | Regular, Long | XS, S, M, L | 28.04           |
| Armsleeve with Grip Top                        | Regular, Long | XS, S, M, L | 17.80           |
| Armsleeve with Grip Top Extra Wide             | Regular, Long | XS, S, M, L | 18.87           |
| Armsleeve with Grip Top with Mitten            | Regular, Long | XS, S, M, L | 30.19           |
| Armsleeve with Grip Top with Mitten Extra Wide | Regular, Long | XS, S, M, L | 31.28           |
| <b>Class 2 (23-32mmHg)</b>                     |               |             |                 |
| Armsleeve                                      | Regular, Long | XS, S, M, L | 14.56           |
| Armsleeve Extra Wide                           | Regular, Long | XS, S, M, L | 15.64           |
| Armsleeve with Mitten                          | Regular, Long | XS, S, M, L | 26.96           |
| Armsleeve with Mitten Extra Wide               | Regular, Long | XS, S, M, L | 28.04           |
| Armsleeve with Grip Top                        | Regular, Long | XS, S, M, L | 17.80           |
| Armsleeve with Grip Top Extra Wide             | Regular, Long | XS, S, M, L | 18.87           |
| Armsleeve with Grip Top with Mitten            | Regular, Long | XS, S, M, L | 30.19           |
| Armsleeve with Grip Top with Mitten Extra Wide | Regular, Long | XS, S, M, L | 31.28           |

**Haddenham Venex Microlight**

| Style  | Length         | Sizes              | Price per pair |
|--|----------------|--------------------|----------------|
| <b>Class 1 (18-21mmHg)</b>                     |                |                    |                |
| Below Knee Open Toe                            | Short, Regular | II,III,IV,V,VI,VII | 27.92          |
| Below Knee Closed Toe                          | Short, Regular | II,III,IV,V,VI,VII | 27.92          |
| Below Knee Extra Wide Open Toe                 | Short, Regular | II,III,IV,V,VI,VII | 31.14          |
| Below Knee Extra Wide Closed Toe               | Short, Regular | II,III,IV,V,VI,VII | 31.14          |
| Thigh High with Grip Top Open Toe              | Short, Regular | II,III,IV,V,VI,VII | 51.55          |
| Thigh High with Grip Top Closed Toe            | Short, Regular | II,III,IV,V,VI,VII | 51.55          |
| Thigh High with Grip Top Extra Wide Open Toe   | Short, Regular | II,III,IV,V,VI,VII | 54.76          |
| Thigh High with Grip Top Extra Wide Closed Toe | Short, Regular | II,III,IV,V,VI,VII | 54.76          |
| Tights Open/Closed Toe                         | Short, Regular | II,III,IV,V,VI,VII | 51.55          |
| Tights Extra Wide Open/Closed Toe              | Short, Regular | II,III,IV,V,VI,VII | 54.76          |
| <b>Class 2 (23-32mmHg)</b>                     |                |                    |                |
| Below Knee Open Toe                            | Short, Regular | II,III,IV,V,VI,VII | 27.92          |
| Below Knee Closed Toe                          | Short, Regular | II,III,IV,V,VI,VII | 27.92          |
| Below Knee Extra Wide Open Toe                 | Short, Regular | II,III,IV,V,VI,VII | 31.14          |
| Below Knee Extra Wide Closed Toe               | Short, Regular | II,III,IV,V,VI,VII | 31.14          |
| Thigh High with Grip Top Open Toe              | Short, Regular | II,III,IV,V,VI,VII | 51.55          |
| Thigh High with Grip Top Closed Toe            | Short, Regular | II,III,IV,V,VI,VII | 51.55          |
| Thigh High with Grip Top Extra Wide Open Toe   | Short, Regular | II,III,IV,V,VI,VII | 54.76          |
| Thigh High with Grip Top Extra Wide Closed Toe | Short, Regular | II,III,IV,V,VI,VII | 54.76          |
| Tights Open/Closed Toe                         | Short, Regular | II,III,IV,V,VI,VII | 51.55          |
| Tights Extra Wide Open/Closed Toe              | Short, Regular | II,III,IV,V,VI,VII | 54.76          |

**Haddenham Veni**

| Style  | Length               | Sizes                     | Price per pair |
|--|----------------------|---------------------------|----------------|
| <b>Class 1 (18-21mmHg)</b>                     |                      |                           |                |
| Below Knee Open Toe                            | Short, Regular, Long | I,II,III,IV,V,VI,VII,VIII | 28.04          |
| Below Knee Closed Toe                          | Short, Regular, Long | I,II,III,IV,V,VI,VII,VIII | 28.04          |
| Below Knee Extra Wide Open Toe                 | Short, Regular, Long | I,II,III,IV,V,VI,VII,VIII | 31.28          |
| Below Knee Extra Wide Closed Toe               | Short, Regular, Long | I,II,III,IV,V,VI,VII,VIII | 31.28          |
| Thigh High with Grip Top Open Toe              | Short, Regular, Long | I,II,III,IV,V,VI,VII,VIII | 51.77          |
| Thigh High with Grip Top Closed Toe            | Short, Regular, Long | I,II,III,IV,V,VI,VII,VIII | 51.77          |
| Thigh High with Grip Top Extra Wide Open Toe   | Short, Regular, Long | I,II,III,IV,V,VI,VII,VIII | 55.00          |
| Thigh High with Grip Top Extra Wide Closed Toe | Short, Regular, Long | I,II,III,IV,V,VI,VII,VIII | 55.00          |
| Tights Open/Closed Toe                         | Short, Regular, Long | I,II,III,IV,V,VI,VII,VIII | 51.77          |
| Tights Extra Wide Open/Closed Toe              | Short, Regular, Long | I,II,III,IV,V,VI,VII,VIII | 52.84          |
| <b>Class 2(23-32mmHg)</b>                      |                      |                           |                |
| Below Knee Open Toe                            | Short, Regular, Long | I,II,III,IV,V,VI,VII,VIII | 28.04          |
| Below Knee Closed Toe                          | Short, Regular, Long | I,II,III,IV,V,VI,VII,VIII | 28.04          |
| Below Knee Extra Wide Open Toe                 | Short, Regular, Long | I,II,III,IV,V,VI,VII,VIII | 31.28          |
| Below Knee Extra Wide Closed Toe               | Short, Regular, Long | I,II,III,IV,V,VI,VII,VIII | 31.28          |
| Thigh High with Grip Top Open Toe              | Short, Regular, Long | I,II,III,IV,V,VI,VII,VIII | 51.77          |
| Thigh High with Grip Top Closed Toe            | Short, Regular, Long | I,II,III,IV,V,VI,VII,VIII | 51.77          |
| Thigh High with Grip Top Extra Wide Open Toe   | Short, Regular, Long | I,II,III,IV,V,VI,VII,VIII | 55.00          |
| Thigh High with Grip Top Extra Wide Closed Toe | Short, Regular, Long | I,II,III,IV,V,VI,VII,VIII | 55.00          |
| Tights Open/Closed Toe                         | Short, Regular, Long | I,II,III,IV,V,VI,VII,VIII | 51.77          |
| Tights Extra Wide Open/Closed Toe              | Short, Regular, Long | I,II,III,IV,V,VI,VII,VIII | 52.84          |
| <b>Class 3(34-46mmHg)</b>                      |                      |                           |                |
| Below Knee Open Toe                            | Short, Regular, Long | I,II,III,IV,V,VI,VII,VIII | 28.04          |
| Below Knee Closed Toe                          | Short, Regular, Long | I,II,III,IV,V,VI,VII,VIII | 28.04          |
| Below Knee Extra Wide Open Toe                 | Short, Regular, Long | I,II,III,IV,V,VI,VII,VIII | 31.28          |
| Below Knee Extra Wide Closed Toe               | Short, Regular, Long | I,II,III,IV,V,VI,VII,VIII | 31.28          |
| Thigh High with Grip Top Open Toe              | Short, Regular, Long | I,II,III,IV,V,VI,VII,VIII | 51.77          |
| Thigh High with Grip Top Closed Toe            | Short, Regular, Long | I,II,III,IV,V,VI,VII,VIII | 51.77          |
| Thigh High with Grip Top Extra Wide Open Toe   | Short, Regular, Long | I,II,III,IV,V,VI,VII,VIII | 55.00          |
| Thigh High with Grip Top Extra Wide Closed Toe | Short, Regular, Long | I,II,III,IV,V,VI,VII,VIII | 55.00          |
| Tights Open/Closed Toe                         | Short, Regular, Long | I,II,III,IV,V,VI,VII,VIII | 51.77          |
| Tights Extra Wide Open/Closed Toe              | Short, Regular, Long | I,II,III,IV,V,VI,VII,VIII | 55.00          |



**Haddenham Veni MTO**

| Style  | Code   |                        |
|--|--------|------------------------|
| <b>Class 1 (18-21mmHg)</b>   |        | <b>Price per pair</b>  |
| Below Knee   | VE-10  | 28.63                  |
| Below Knee with Grip Top   | VE-12  | 34.99                  |
| Thigh High   | VE-11  | 45.76                  |
| Thigh High with Grip Top   | VE-13  | 52.12                  |
| Thigh High with Waistband  | VE-14  | 52.50                  |
|  |        | <b>Price per piece</b> |
| Thigh High with Waist Attachment (Left Leg)                              | VE-15  | 31.82                  |
| Thigh High with Waist Attachment (Right Leg)                             | VE-16  | 31.82                  |
| Tights   | VE-17  | 51.34                  |
| One Legged Tights (Left Leg)   | VE-19  | 51.34                  |
| One Legged Tights (Right Leg)  | VE-18  | 51.34                  |
| <b>Class 2 (23-32mmHg)</b>   |        | <b>Price per pair</b>  |
| Below Knee   | VE-20  | 28.63                  |
| Below Knee with Grip Top   | VE-22  | 34.99                  |
| Thigh High   | VE-21  | 45.76                  |
| Thigh High with Grip Top   | VE-23  | 52.12                  |
| Thigh High with Waistband  | VE-24  | 52.50                  |
|  |        | <b>Price per piece</b> |
| Thigh High with Waist Attachment (Left Leg)                              | VE-25  | 31.82                  |
| Thigh High with Waist Attachment (Right Leg)                             | VE-26  | 31.82                  |
| Tights   | VE-27  | 51.34                  |
| One Legged Tights (Left Leg)   | VE-29  | 51.34                  |
| One Legged Tights (Right Leg)  | VE-28  | 51.34                  |
| <b>Class 3 (34-46mmHg)</b>   |        | <b>Price per pair</b>  |
| Below Knee   | VE-30  | 28.63                  |
| Below Knee with Grip Top   | VE-32  | 34.99                  |
| Thigh High   | VE-31  | 45.76                  |
| Thigh High with Grip Top   | VE-33  | 52.12                  |
| Thigh High with Waistband  | VE-34  | 52.50                  |
|  |        | <b>Price per piece</b> |
| Thigh High with Waist Attachment (Left Leg)                              | VE-35  | 31.82                  |
| Thigh High with Waist Attachment (Right Leg)                             | VE-36  | 31.82                  |
| Tights   | VE-37  | 51.34                  |
| One Legged Tights (Left Leg)   | VE-39  | 51.34                  |
| One Legged Tights (Right Leg)  | VE-38  | 51.34                  |
| <i>NB: The garments are available with additional options. See below</i> |        |                        |
| Long leg   | VE-LL  |                        |
| Short leg  | VE-SL  |                        |
| Long foot  | VE-LF  |                        |
| Short foot   | VE-SF  |                        |
| Open toe   | VE-OT  |                        |
| Extra wide   | VE-EW  |                        |
| Non-standard colour  | VE-NSC |                        |
| 3cm strong plain grip top  | VE-G1  |                        |
| 5cm strong plain grip top  | VE-G2  |                        |
| 5cm strong lace grip top   | VE-G3  |                        |
| 5cm fine lace grip top   | VE-G4  |                        |
| Open front panty   | VE-OF  |                        |
| Loose fit to panty   | VE-RF  |                        |
| No gusset panty  | VE-NG  |                        |
| Footless tights  | VE-NF  |                        |
| Half compression panty   | VE-HC  |                        |
| Full compression panty   | VE-FC  |                        |
| Fly for men  | VE-FY  |                        |

**Jobskin Alleviant**

| Style   | Length        | Sizes                |                        |
|---|---------------|----------------------|------------------------|
| <b>Class 1 (18-21mmHg)</b>                                    |               |                      | <b>Price per pair</b>  |
| Below Knee Open Toe   | Short, Normal | I,II,III,IV,V,VI,VII | 8.00                   |
| Below Knee Closed Toe   | Short, Normal | I,II,III,IV,V,VI,VII | 8.00                   |
| Thigh Length Silicone Top Open Toe                            | Short, Normal | I,II,III,IV,V,VI,VII | 17.00                  |
| Thigh Length Silicone Top Closed Toe                          | Short, Normal | I,II,III,IV,V,VI,VII | 17.00                  |
| Panty Hose Open Toe   | Short, Normal | I,II,III,IV,V,VI,VII | 25.00                  |
| Panty Hose Closed Toe   | Short, Normal | I,II,III,IV,V,VI,VII | 25.00                  |
|   |               |                      | <b>Price per piece</b> |
| Armsleeve   | Short, Normal | I,II,III,IV,V,VI,VII | 9.00                   |
| Armsleeve with Glove and Dotted Silicone Topband Long Finger  |               | I,II,III,IV,V,VI,VII | 28.00                  |
| Armsleeve with Glove and Dotted Silicone Topband Short Finger |               | I,II,III,IV,V,VI,VII | 28.00                  |
| Armsleeve with Hand   | Short, Normal | I,II,III,IV,V,VI,VII | 15.00                  |
| Glove with Long Finger  |               | I,II,III,IV,V,VI,VII | 25.00                  |
| Glove with Short Finger                                       |               | I,II,III,IV,V,VI,VII | 25.00                  |
| <b>Class 2 (23-32mmHg)</b>                                    |               |                      | <b>Price per pair</b>  |
| Below Knee Open Toe   | Short, Normal | I,II,III,IV,V,VI,VII | 9.00                   |
| Below Knee Closed Toe   | Short, Normal | I,II,III,IV,V,VI,VII | 9.00                   |
| Thigh Length Silicone Top Open Toe                            | Short, Normal | I,II,III,IV,V,VI,VII | 18.00                  |
| Thigh Length Silicone Top Closed Toe                          | Short, Normal | I,II,III,IV,V,VI,VII | 18.00                  |
| Panty Hose Open Toe   | Short, Normal | I,II,III,IV,V,VI,VII | 28.00                  |
| Panty Hose Closed Toe   | Short, Normal | I,II,III,IV,V,VI,VII | 28.00                  |
|   |               |                      | <b>Price per piece</b> |
| Armsleeve   | Short, Normal | I,II,III,IV,V,VI,VII | 13.50                  |
| Armsleeve with Shoulder cap and Belt                          | Short, Normal | I,II,III,IV,V,VI,VII | 13.00                  |
| Armsleeve with Silicone Topband                               | Short, Normal | I,II,III,IV,V,VI,VII | 14.00                  |
| Armsleeve with Glove and Dotted Silicone Topband Long Finger  |               | I,II,III,IV,V,VI,VII | 28.00                  |
| Armsleeve with Glove and Dotted Silicone Topband Short Finger |               | I,II,III,IV,V,VI,VII | 28.00                  |
| Armsleeve with Hand   | Short, Normal | I,II,III,IV,V,VI,VII | 15.00                  |
| Armsleeve with Hand, Shoulder cap and Belt                    | Short, Normal | I,II,III,IV,V,VI,VII | 17.00                  |
| Armsleeve with Hand and Silicone Topband                      | Short, Normal | I,II,III,IV,V,VI,VII | 16.50                  |
| Glove with Long Finger  |               | I,II,III,IV,V,VI,VII | 25.00                  |
| Glove with Short Finger                                       |               | I,II,III,IV,V,VI,VII | 25.00                  |
| <b>Class 3 (34-46mmHg)</b>                                    |               |                      | <b>Price per pair</b>  |
| Below Knee Open Toe   | Short, Normal | I,II,III,IV,V,VI,VII | 9.00                   |
| Thigh Length Silicone Top Open Toe                            | Short, Normal | I,II,III,IV,V,VI,VII | 19.00                  |
| Panty Hose Open Toe   | Short, Normal | I,II,III,IV,V,VI,VII | 25.00                  |
|   |               |                      | <b>Price per piece</b> |
| Armsleeve   | Short, Normal | I,II,III,IV,V,VI,VII | 9.00                   |
| Armsleeve with Shoulder cap and Belt                          | Short, Normal | I,II,III,IV,V,VI,VII | 15.00                  |
| Armsleeve with Silicone Topband                               | Short, Normal | I,II,III,IV,V,VI,VII | 14.00                  |
| Armsleeve with Glove and Dotted Silicone Topband Long Finger  |               | I,II,III,IV,V,VI,VII | 28.00                  |
| Armsleeve with Glove and Dotted Silicone Topband Short Finger |               | I,II,III,IV,V,VI,VII | 28.00                  |
| Armsleeve with Hand   | Short, Normal | I,II,III,IV,V,VI,VII | 14.00                  |
| Armsleeve with Hand, Shoulder cap and Belt                    | Short, Normal | I,II,III,IV,V,VI,VII | 18.00                  |
| Armsleeve with Hand and Silicone Topband                      | Short, Normal | I,II,III,IV,V,VI,VII | 17.00                  |
| Glove with Long Finger  |               | I,II,III,IV,V,VI,VII | 25.00                  |
| Glove with Short Finger                                       |               | I,II,III,IV,V,VI,VII | 25.00                  |

**Jobskin Alleviant Plus**

| Style                                | Length        | Sizes                | Price per pair |
|--------------------------------------|---------------|----------------------|----------------|
| <b>Class 1 (18-21mmHg)</b>           |               |                      |                |
| Below Knee Open Toe                  | Short, Normal | I,II,III,IV,V,VI,VII | 14.00          |
| Below Knee Closed Toe                | Short, Normal | I,II,III,IV,V,VI,VII | 14.00          |
| Thigh Length Silicone Top Open Toe   | Short, Normal | I,II,III,IV,V,VI,VII | 25.00          |
| Thigh Length Silicone Top Closed Toe | Short, Normal | I,II,III,IV,V,VI,VII | 25.00          |
| Panty Hose Open Toe                  | Short, Normal | I,II,III,IV,V,VI,VII | 40.00          |
| Panty Hose Closed Toe                | Short, Normal | I,II,III,IV,V,VI,VII | 40.00          |
| <b>Class 2 (23-32mmHg)</b>           |               |                      |                |
| Below Knee Open Toe                  | Short, Normal | I,II,III,IV,V,VI,VII | 14.00          |
| Below Knee Closed Toe                | Short, Normal | I,II,III,IV,V,VI,VII | 14.00          |
| Thigh Length Silicone Top Open Toe   | Short, Normal | I,II,III,IV,V,VI,VII | 27.00          |
| Thigh Length Silicone Top Closed Toe | Short, Normal | I,II,III,IV,V,VI,VII | 27.00          |
| Panty Hose Open Toe                  | Short, Normal | I,II,III,IV,V,VI,VII | 41.00          |
| Panty Hose Closed Toe                | Short, Normal | I,II,III,IV,V,VI,VII | 41.00          |
| <b>Class 3 (34-46mmHg)</b>           |               |                      |                |
| Below Knee Open Toe                  | Short, Normal | I,II,III,IV,V,VI,VII | 15.00          |
| Below Knee Closed Toe                | Short, Normal | I,II,III,IV,V,VI,VII | 15.00          |
| Thigh Length Silicone Top Open Toe   | Short         | I,II,III,IV,V,VI,VII | 28.00          |
| Thigh Length Silicone Top Closed Toe | Normal        | I,II,III,IV,V,VI,VII | 28.00          |
| Panty Hose Open Toe                  | Short, Normal | I,II,III,IV,V,VI,VII | 42.00          |

**Jobskin MTM Premium – For Upper Extremities**

| Garment Type                        | Code     | Price per piece |
|-------------------------------------|----------|-----------------|
| <b>Class 1 (18-21mmHg)</b>          |          |                 |
| Armsleeve                           | FP0501-1 | 31.30           |
| Armsleeve and Gauntlet              | FP0502-1 | 53.50           |
| Armsleeve and Shoulder Flap         | FP0503-1 | 44.50           |
| Armsleeve, Gauntlet & Shoulder Flap | FP0504-1 | 64.70           |
| Body Bandage Vest                   | FP0525-1 | 65.50           |
| Detachable Gauntlet                 | FP0505-1 | 31.20           |
| Glove to Wrist                      | FP0535-1 | 59.00           |
| Glove to Axilla                     | FP0533-1 | 84.30           |
| <b>Class 2 (23-32mmHg)</b>          |          |                 |
| Armsleeve                           | FP0501-2 | 31.30           |
| Armsleeve and Gauntlet              | FP0502-2 | 53.50           |
| Armsleeve and Shoulder Flap         | FP0503-2 | 44.50           |
| Armsleeve, Gauntlet & Shoulder Flap | FP0504-2 | 64.70           |
| Body Bandage Vest                   | FP0525-2 | 67.00           |
| Detachable Gauntlet                 | FP0505-2 | 31.20           |
| Glove to Wrist                      | FP0535-2 | 59.00           |
| Glove to Axilla                     | FP0533-2 | 84.30           |
| <b>Class 3 (34-46mmHg)</b>          |          |                 |
| Armsleeve                           | FP0501-3 | 31.30           |
| Armsleeve and Gauntlet              | FP0502-3 | 53.50           |
| Armsleeve and Shoulder Flap         | FP0503-3 | 44.50           |
| Armsleeve, Gauntlet & Shoulder Flap | FP0504-3 | 64.70           |
| Detachable Gauntlet                 | FP0505-3 | 31.20           |
| Glove to Wrist                      | FP0535-3 | 59.00           |
| Glove to Axilla                     | FP0533-3 | 84.30           |

*NB: The garments are available with additional options. These are priced separately. See below*

|                         |        |       |
|-------------------------|--------|-------|
| Lining inside Elbow     | FP1167 | 5.90  |
| Lining Full Elbow       | FP1168 | 6.90  |
| Pockets                 | FP0027 | 11.30 |
| Reinforced Palm         | FP0021 | 13.50 |
| ZIP Less Than 8"(20cm)  | FP1164 | 11.20 |
| ZIP 8"(20cm) and longer | FP1165 | 20.20 |

**Jobskin MTM Premium**

– For Lower Extremities

| Garment Type                          | Code     | Price per piece |
|---------------------------------------|----------|-----------------|
| <b>Class 1 (18-21mmHg)</b>            |          |                 |
| Below Knee                            | FP0101-1 | 33.00           |
| Foot Glove                            | FP0538-1 | 42.00           |
| Foot Glove to Knee                    | FP0539-1 | 70.00           |
| Thigh Length                          | FP0201-1 | 38.00           |
| Thigh with Waist Attachment One Leg   | FP0035-1 | 53.60           |
| Thigh with Waist Attachment Two Legs  | FP0036-1 | 100.70          |
| Waist Height One Leg Open Crotch      | FP1103-1 | 116.40          |
| Waist Height Two Legs Open Crotch     | FP1102-1 | 140.00          |
| Waist Height Two Legs Closed Crotch   | FP1101-1 | 140.00          |
| Waist Height One Leg Panty Open       | FP1112-1 | 140.00          |
| Waist Height One Leg Panty Closed     | FP1113-1 | 140.00          |
| Panty Girdle Closed Crotch            | FP1119-1 | 80.40           |
| Panty Girdle Below Knee Open Crotch   | FP1110-1 | 108.30          |
| Panty Girdle Below Knee Closed Crotch | FP1111-1 | 108.30          |
| <b>Class 2 (23-32mmHg)</b>            |          |                 |
| Below Knee                            | FP0101-2 | 33.00           |
| Foot Glove                            | FP0538-2 | 42.00           |
| Foot Glove to Knee                    | FP0539-2 | 70.00           |
| Thigh Length                          | FP0201-2 | 38.00           |
| Thigh with Waist Attachment One Leg   | FP0035-2 | 53.60           |
| Thigh with Waist Attachment Two Legs  | FP0036-2 | 100.70          |
| Waist Height One Leg Open Crotch      | FP1103-2 | 116.40          |
| Waist Height Two Legs Open Crotch     | FP1102-2 | 140.00          |
| Waist Height Two Legs Closed Crotch   | FP1101-2 | 140.00          |
| Waist Height One Leg Panty Open       | FP1112-2 | 140.00          |
| Waist Height One Leg Panty Closed     | FP1113-2 | 140.00          |
| Panty Girdle Closed Crotch            | FP1119-2 | 80.40           |
| Panty Girdle Below Knee Open Crotch   | FP1110-2 | 108.30          |
| Panty Girdle Below Knee Closed Crotch | FP1111-2 | 108.30          |
| <b>Class 3 (34-46mmHg)</b>            |          |                 |
| Below Knee                            | FP0101-3 | 33.00           |
| Foot Glove                            | FP0538-3 | 42.00           |
| Foot Glove to Knee                    | FP0539-3 | 70.00           |
| Thigh Length                          | FP0201-3 | 38.00           |
| Thigh with Waist Attachment One Leg   | FP0035-3 | 53.60           |
| Thigh with Waist Attachment Two Legs  | FP0036-3 | 100.70          |
| Waist Height One Leg Open Crotch      | FP1103-3 | 116.40          |
| Waist Height Two Legs Open Crotch     | FP1102-3 | 140.00          |
| Waist Height Two Legs Closed Crotch   | FP1101-3 | 140.00          |
| Waist Height One Leg Panty Open       | FP1112-3 | 140.00          |
| Waist Height One Leg Panty Closed     | FP1113-3 | 140.00          |
| Panty Girdle Closed Crotch            | FP1119-3 | 80.40           |
| Panty Girdle Below Knee Open Crotch   | FP1110-3 | 108.30          |
| Panty Girdle Below Knee Closed Crotch | FP1111-3 | 108.30          |

**Jobskin MTM Premium cont.****Class 4 (49-59mmHg)**

|                                       |          |        |
|---------------------------------------|----------|--------|
| Below Knee                            | FP0101-4 | 33.00  |
| Foot Glove                            | FP0538-4 | 42.00  |
| Foot Glove to Knee                    | FP0539-4 | 70.00  |
| Thigh Length                          | FP0201-4 | 38.00  |
| Thigh with Waist Attachment One Leg   | FP0035-4 | 53.60  |
| Thigh with Waist Attachment Two Legs  | FP0036-4 | 100.70 |
| Waist Height One Leg Open Crotch      | FP1103-4 | 116.40 |
| Waist Height Two Legs Open Crotch     | FP1102-4 | 140.00 |
| Waist Height Two Legs Closed Crotch   | FP1101-4 | 140.00 |
| Waist Height One Leg Panty Open       | FP1112-4 | 140.00 |
| Waist Height One Leg Panty Closed     | FP1113-4 | 140.00 |
| Panty Girdle Closed Crotch            | FP1119-4 | 80.40  |
| Panty Girdle Below Knee Open Crotch   | FP1110-4 | 108.30 |
| Panty Girdle Below Knee Closed Crotch | FP1111-4 | 108.30 |

NB: The garments are available with additional options. These are priced separately. See below

|                          |        |       |
|--------------------------|--------|-------|
| Reinforced Heels         | FP1187 | 12.30 |
| Extra Heel Reinforcement | FP0020 | 10.70 |
| Reinforced Knee          | FP1186 | 12.80 |
| Behind Knee Lining       | FP0040 | 8.70  |
| Reduced Pressure Panel   | FP1161 | 19.60 |
| Double Abdominal Panel   | FP1175 | 54.10 |
| Uplift Panel for Abdomen | FP1176 | 43.50 |
| Pockets                  | FP0027 | 11.30 |
| Self Enclosed Toe        | FP1159 | 1.00  |
| Soft Enclosed Toe        | FP1160 | 1.00  |
| ZIP Less Than 8"(20cm)   | FP1164 | 11.20 |
| ZIP 8"(20cm) and longer  | FP1165 | 20.20 |

**Jobst Bella Lite**

| Garment Type                          | Lengths       | Sizes   | Price per piece |
|---------------------------------------|---------------|---------|-----------------|
| <b>Class 1 (15-20mmHg)</b>            |               |         |                 |
| Armsleeve with Knitted Band           | Regular, Long | S, M, L | 14.89           |
| Armsleeve with Silicone Band          | Regular, Long | S, M, L | 19.85           |
| Combined Armsleeve with Knitted Band  | Regular, Long | S, M, L | 27.95           |
| Combined Armsleeve with Silicone Band | Regular, Long | S, M, L | 30.75           |
| Gauntlet with Thumb                   |               | S, M, L | 13.78           |
| <b>Class 2 (20-30mmHg)</b>            |               |         |                 |
| Armsleeve with Knitted Band           | Regular, Long | S, M, L | 15.99           |
| Armsleeve with Silicone Band          | Regular, Long | S, M, L | 20.95           |
| Combined Armsleeve with Knitted Band  | Regular, Long | S, M, L | 29.10           |
| Combined Armsleeve with Silicone Band | Regular, Long | S, M, L | 31.82           |
| Gauntlet with Thumb                   |               | S, M, L | 14.34           |

**Jobst Classic**

| Style                                   | Lengths         | Sizes  | Price per pair |
|---|-----------------|--------|----------------|
| <b>Class 2 (23-32mmHg)</b>              |                 |        |                |
| Knee High, Open Toe                     | Petite, Regular | I - VI | 27.99          |
| Thigh High, Open Toe With Silicone Band | Standard        | I - VI | 53.18          |
| Tights Open Toe                         | Petite, Regular | I - VI | 48.73          |
| <b>Class 3 (34-46mmHg)</b>              |                 |        |                |
| Knee High, Open Toe                     | Petite, Regular | I - VI | 30.73          |
| Thigh High, Open Toe with Silicone Band | Standard        | I - VI | 58.16          |
| Tights, Open Toe                        | Petite, Regular | I - VI | 52.69          |

**Jobst Confidence Custom Fit – For lower extremities**

| Garment Type               | Code     | Price per piece |
|----------------------------|----------|-----------------|
| <b>Class 1 (18-21mmHg)</b> |          |                 |
| Knee High                  | L1-16-04 | 34.71           |
| Thigh High                 | L1-16-06 | 40.41           |
| <b>Class 2 (23-32mmHg)</b> |          |                 |
| Knee High                  | L2-17-04 | 36.87           |
| Thigh High                 | L2-17-06 | 45.27           |
| <b>Class 3 (34-46mmHg)</b> |          |                 |
| Knee High                  | L3-18-04 | 39.40           |
| Thigh High                 | L3-18-06 | 47.84           |

*NB: The above garments are available with additional options. These are priced separately. See below*

|                       |         |      |
|-----------------------|---------|------|
| Ankle Functional Zone | L-A010C | 7.17 |
| Closed Toe            | L-A001C | 0.11 |
| Knee Functional Zone  | L-A015C | 7.17 |
| 5cm Silicone Band     | L-A004C | 8.20 |
| Slipform              | L-A011C | 6.90 |
| SoftFit               | L-A016C | 8.14 |

**Jobst Confidence Custom Fit - For upper extremities**

| Garment Type               | Code     | Price per piece |
|----------------------------|----------|-----------------|
| <b>Class 1 (15-21mmHg)</b> |          |                 |
| Armsleeve                  | U1-16-07 | 33.31           |
| <b>Class 2 (23-32mmHg)</b> |          |                 |
| Armsleeve                  | U2-17-07 | 39.72           |

*NB: The above garments are available with additional options. These are priced separately. See below*

|                       |         |      |
|-----------------------|---------|------|
| Elbow Functional Zone | U-A008C | 6.15 |
| Silicone Band CF      | U-A002C | 4.86 |
| SoftFit               | U-A018C | 4.82 |

**Jobst Elvarex Custom Fit - For lower extremities**

| Garment Type  | Code     | Price per piece |
|---|----------|-----------------|
| <b>Class 1 (18-21mmHg)</b>  |          |                 |
| Foot Cap with Toes  | L1-01-02 | 46.05           |
| Knee High   | L1-01-04 | 35.92           |
| Knee High Footless  | L1-01-24 | 29.97           |
| Thigh High  | L1-01-06 | 41.81           |
| Thigh High Footless   | L1-01-16 | 34.89           |
| Bermuda   | L1-01-26 | 93.52           |
| Body Bandage  | L1-01-08 | 73.85           |
| Capri Tights  | L1-01-28 | 122.85          |
| <b>Class 2 (23-32mmHg)</b>  |          |                 |
| Foot Cap with Toes  | L2-02-02 | 47.94           |
| Knee High   | L2-02-04 | 37.61           |
| Knee High Footless  | L2-02-24 | 31.39           |
| Thigh High  | L2-02-06 | 46.18           |
| Thigh High Footless   | L2-02-16 | 38.54           |
| Bermuda   | L2-02-26 | 98.89           |
| Body Bandage  | L2-02-08 | 81.70           |
| Capri Tights  | L2-02-28 | 123.89          |
| <b>Class 3 (34-46mmHg)</b>  |          |                 |
| Foot Cap with Toes  | L3-03-02 | 49.96           |
| Knee High   | L3-03-04 | 40.97           |
| Knee High Footless  | L3-03-24 | 34.19           |
| Thigh High  | L3-03-06 | 49.76           |
| Thigh High Footless   | L3-03-16 | 41.52           |
| Bermuda   | L3-03-26 | 103.46          |
| Body Bandage  | L3-03-08 | 84.98           |
| Capri Tights  | L3-03-28 | 130.14          |
| <b>Class 3 forte (34-46mmHg)</b>  |          |                 |
| Knee High   | L3-04-04 | 42.15           |
| Knee High Footless  | L3-04-24 | 36.61           |
| Thigh High  | L3-04-06 | 51.95           |
| Thigh High Footless   | L3-04-16 | 43.35           |
| Bermuda   | L3-04-26 | 106.09          |
| Body Bandage  | L3-04-08 | 85.51           |
| <b>Class 4 (49-70mmHg)</b>  |          |                 |
| Knee High   | L4-05-04 | 43.88           |
| Knee High Footless  | L4-05-24 | 35.17           |
| Thigh High  | L4-05-06 | 56.12           |
| Thigh High Footless   | L4-05-16 | 46.83           |
| Bermuda   | L4-05-26 | 110.23          |
| Body Bandage  | L4-05-08 | 88.94           |
| <b>Class 4 Super (60-90mmHg)</b>  |          |                 |
| Knee High   | L5-06-04 | 45.92           |
| Knee High Footless  | L5-06-24 | 38.32           |
| Thigh High  | L5-06-06 | 57.91           |
| Thigh High Footless   | L5-06-16 | 48.32           |
| Bermuda   | L5-06-26 | 111.97          |
| Body Bandage  | L5-06-08 | 91.81           |
| <i>NB: The above garments are available with additional options. These are priced seperately. See below</i> |          |                 |
| 2 Ankle Pads  | L-A002   | 22.56           |
| Adjustable Waistband  | L-A013   | 9.74            |
| Closed Toe  | L-A001   | 0.11            |
| Fly for Men   | L-A012   | 12.03           |
| Knee Functional Zone  | L-A015   | 7.17            |
| Leg Extension   | L-A007   | 6.41            |
| Non-standard colour   | L-A008   | 3.35            |
| Silicone band   | L-A004   | 8.36            |
| Slipform  | L-A009   | 7.04            |
| SoftFit   | L-A016   | 8.21            |
| T-Heel  | L-A010   | 7.04            |
| Waist attachment with garter belt   | L-A005   | 17.90           |
| Zipper  | L-A003   | 23.19           |

**Jobst Elvarex Custom Fit**

- For upper extremities

| Garment Type   | Code     | Price per piece |
|--|----------|-----------------|
| <b>Class 1 (15-21mmHg)</b>   |          |                 |
| Gauntlet to Wrist  | U1-01-01 | 37.79           |
| Gauntlet to Elbow  | U1-01-03 | 42.86           |
| Armsleeve to Axilla with Gauntlet  | U1-01-05 | 73.43           |
| Armsleeve from Wrist to Axilla   | U1-01-07 | 33.98           |
| <b>Class 2 (23-32mmHg)</b>   |          |                 |
| Gauntlet to Wrist  | U2-02-01 | 39.58           |
| Soft Gauntlet to Wrist – see Jobst Elvarex Soft Custom Fit –<br>For upper extremities, Soft Seamless Gauntlet to Wrist |          |                 |
| Gauntlet to Elbow  | U2-02-03 | 43.17           |
| Armsleeve to Axilla with Gauntlet  | U2-02-05 | 74.73           |
| Armsleeve from Wrist to Axilla   | U2-02-07 | 40.52           |
| <b>Class 2 forte (23-32mmHg)</b>   |          |                 |
| Gauntlet to Wrist  | U3-03-01 | 40.38           |
| Gauntlet to Elbow  | U3-03-03 | 44.23           |
| Armsleeve to Axilla with Gauntlet  | U3-03-05 | 75.26           |
| Armsleeve from Wrist to Axilla   | U3-03-07 | 40.93           |
| <i>NB: The above garments are available with additional options. These are priced separately. See below</i>            |          |                 |
| Zipper   | U-A001   | 23.19           |
| Silicone Band  | U-A002   | 4.96            |
| Shoulder Cap   | U-A003   | 14.28           |
| Non-Standard colour  | U-A007   | 3.35            |
| Elbow Functional Zone  | U-A008   | 6.15            |
| SoftFit  | U-A018   | 4.87            |
| 1 finger (Class 1 15-21mmHg)   | U1-A009  | 4.22            |
| 1 finger (Class 2 23-32mmHg)   | U2-A011  | 5.45            |
| 1 finger (Class 2 forte 23-32mmHg)   | U3-A013  | 5.62            |

**Jobst Elvarex Plus Custom Fit**

- For lower extremities

| Garment Type   | Code     | Price per piece |
|--|----------|-----------------|
| <b>Class 1 (18-21mmHg)</b>   |          |                 |
| Foot Cap with Toes   | L1-12-02 | 45.61           |
| <b>Class 2 (23-32mmHg)</b>   |          |                 |
| Foot Cap with Toes   | L2-13-02 | 47.49           |
| <i>NB: The above garments are available with additional options. These are priced separately. See below.</i> |          |                 |
| Non-standard colour  | L-A008P  | 3.32            |

**Jobst Elvarex Plus Custom Fit**

- For upper extremities

| Garment Type   | Code     | Price per piece |
|--|----------|-----------------|
| <b>Class 1 (15-21mmHg)</b>   |          |                 |
| Gauntlet to Wrist  | U1-12-01 | 37.44           |
| Gauntlet to Elbow  | U1-12-03 | 42.46           |
| <b>Class 2 (23-32mmHg)</b>   |          |                 |
| Gauntlet to Wrist  | U2-13-01 | 39.20           |
| Gauntlet to Elbow  | U2-13-03 | 42.77           |
| <i>NB: The above garments are available with additional options. These are priced separately. See below.</i> |          |                 |
| Non-standard colour  | U-A007P  | 3.32            |
| 1 finger (Class 1 15-21mmHg)   | U1-A016  | 4.18            |
| 1 finger (Class 2 23-32mmHg)   | U2-A017  | 5.40            |



**Jobst Elvarex Soft Custom Fit**

– For lower extremities

| Garment Type   | Code     | Price per piece |
|--|----------|-----------------|
| <b>Class 1 (18-21mmHg)</b>   |          |                 |
| Soft Seamless Foot Cap with Toes   | L1-11-02 | 44.83           |
| Soft Knee High   | L1-10-04 | 35.14           |
| Soft Thigh High  | L1-10-06 | 40.91           |
| Soft Thigh High Footless   | L1-10-16 | 35.31           |
| Soft Bermuda   | L1-10-26 | 94.64           |
| Soft Body Bandage  | L1-10-08 | 72.26           |
| Soft Capri tights  | L1-10-28 | 122.67          |
| <b>Class 2 (23-32mmHg)</b>   |          |                 |
| Soft Seamless Foot Cap with Toes   | L2-07-02 | 47.49           |
| Soft Knee High   | L2-08-04 | 37.33           |
| Soft Thigh High  | L2-08-06 | 45.84           |
| Soft Thigh High Footless   | L2-08-16 | 39.00           |
| Soft Bermuda   | L2-08-26 | 99.03           |
| Soft Body Bandage  | L2-08-08 | 81.09           |
| Soft Capri tights  | L2-08-28 | 123.72          |
| <b>Class 3 (34-46mmHg)</b>   |          |                 |
| Soft Knee High   | L3-09-04 | 39.90           |
| Soft Thigh High  | L3-09-06 | 48.44           |
| Soft Thigh High Footless   | L3-09-16 | 41.50           |
| Soft Bermuda   | L3-09-26 | 104.18          |
| Soft Body Bandage  | L3-08-08 | 82.73           |
| Soft Capri tights  | L3-09-28 | 129.90          |
| <i>NB: The above garments are available with additional options. These are priced separately. See below.</i> |          |                 |
| Adjustable Waistband   | L-A013S  | 9.70            |
| Closed Toe Soft  | L-A001S  | 0.11            |
| Non-Standard colour  | L-A008S  | 3.26            |
| Slipform Soft  | L-A011S  | 6.98            |
| Silicone Band Soft   | L-A004S  | 8.30            |
| SoftFit  | L-A016S  | 8.24            |
| Waist attachment with garter belt  | L-A005S  | 17.87           |
| T-Heel   | L-A010S  | 6.83            |

**Jobst Elvarex Soft Custom Fit**

– For upper extremities

| Garment Type   | Code      | Price per piece |
|--|-----------|-----------------|
| <b>Class 1 (15-21mmHg)</b>   |           |                 |
| Soft Armsleeve from Wrist to Axilla  | U1-10-07  | 33.72           |
| Soft Seamless Gauntlet to Wrist  | U1-11-01  | 36.79           |
| Soft Seamless Gauntlet to Elbow  | U1-11-03  | 41.72           |
| <b>Class 2 (23-32mmHg)</b>   |           |                 |
| Soft Armsleeve from Wrist to Axilla  | U2-08-07  | 40.22           |
| Soft Seamless Gauntlet to Wrist  | AC1-WF-WT | 39.21           |
| Soft Seamless Gauntlet to Elbow  | U2-07-03  | 42.77           |
| <i>NB: The above garments are available with additional options. These are priced separately. See below.</i> |           |                 |
| Non-Standard colour  | U-A007S   | 3.26            |
| Silicone Band Soft   | U-A002S   | 4.92            |
| SoftFit  | U-A018S   | 4.88            |
| 1 Soft Seamless Finger (Class 1 15-21mmHg)   | U1-A015   | 4.11            |
| 1 Soft Seamless Finger (Class 2 23-32mmHg)   | U2-A014   | 5.40            |

**Jobst Farrow**

| Style                      |  | Sizes                            |                        |
|----------------------------|--|----------------------------------|------------------------|
| <b>Class 1 (15-20mmHg)</b> |  |                                  | <b>Price per piece</b> |
| Glove                      |  | I, II, III, IV, V, VI, VII, VIII | 43.53                  |
| Tow Cap                    |  | XS, S, M, L                      | 27.73                  |
| <b>Class 2 (20-30mmHg)</b> |  |                                  | <b>Price per piece</b> |
| Glove                      |  | I, II, III, IV, V, VI, VII, VIII | 43.53                  |
| Toe Cap                    |  | XS, S, M, L                      | 27.73                  |

**Jobst FarrowWrap**

| Style                      | Lengths              | Sizes          |                        |
|----------------------------|----------------------|----------------|------------------------|
| <b>Lite (20-30mmHg)</b>    |                      |                | <b>Price per piece</b> |
| Armpiece (Right,Left)      | Short, Regular, Long | S, M, L        | 142.08                 |
| Gauntlet                   |                      | XS, S, M, L    | 28.93                  |
| Footpiece                  | Regular,Long         | XS, S, M, L,XL | 38.30                  |
| Legpiece                   | Regular,Long         | XS, S, M, L,XL | 136.78                 |
| Thighpiece                 | Short,Regular,Long   | XS, S, M, L,XL | 136.78                 |
| <b>Classic (30-40mmHg)</b> |                      |                |                        |
| Footpiece                  | Regular,Long         | XS, S, M, L,XL | 38.30                  |
| Legpiece                   | Regular,Long         | XS, S, M, L,XL | 136.78                 |
| Thighpiece                 | Short,Regular,Long   | XS, S, M, L,XL | 136.78                 |
| <b>Strong (30-40mmHg)</b>  |                      |                |                        |
| Footpiece                  | Regular,Long         | XS, S, M, L,XL | 37.96                  |
| Legpiece                   | Regular,Long         | XS, S, M, L,XL | 135.58                 |
| Thighpiece                 | Short,Regular,Long   | XS, S, M, L,XL | 135.58                 |

**Jobst for Men Ambition**

| Style                      | Lengths       | Sizes       |                       |
|----------------------------|---------------|-------------|-----------------------|
| <b>Class 1 (18-21mmHg)</b> |               |             | <b>Price per pair</b> |
| Knee High Closed Toe       | Regular, Long | 1,2,3,4,5,6 | 29.22                 |
| <b>Class 2 (23-32mmHg)</b> |               |             |                       |
| Knee High Closed Toe       | Regular, Long | 1,2,3,4,5,6 | 29.22                 |

**Jobst for Men Explore**

| Style                      | Lengths       | Sizes       |                       |
|----------------------------|---------------|-------------|-----------------------|
| <b>Class 1 (18-21mmHg)</b> |               |             | <b>Price per pair</b> |
| Knee High Closed Toe       | Regular, Long | 1,2,3,4,5,6 | 29.22                 |
| <b>Class 2 (23-32mmHg)</b> |               |             |                       |
| Knee High Closed Toe       | Regular, Long | 1,2,3,4,5,6 | 29.22                 |

**Jobst Opaque**

| Style  | Lengths         | Sizes  | Price per pair |
|--|-----------------|--------|----------------|
| <b>Class 1 (18-21mmHg)</b>                                     |                 |        |                |
| Knee High Closed Toe   | Petite, Regular | I - VI | 28.37          |
| Knee High Open Toe   | Petite, Regular | I - VI | 28.37          |
| Thigh High Closed Toe Standard Width with Dotted Silicone Band | Petite, Regular | I - VI | 53.90          |
| Thigh High Closed Toe Standard Width with Lace Silicone Band   | Petite, Regular | I - VI | 53.90          |
| Thigh High Closed Toe Standard Width with Sensitive Band       | Petite, Regular | I - VI | 53.90          |
| Thigh High Closed Toe Wide Width With Dotted Silicone Band     | Petite, Regular | I - VI | 53.90          |
| Thigh High Closed Toe Wide Width with Lace Silicone Band       | Petite, Regular | I - VI | 53.90          |
| Thigh High Closed Toe Wide Width with Sensitive Band           | Petite, Regular | I - VI | 53.90          |
| Thigh High Open Toe Standard Width With Dotted Silicone Band   | Petite, Regular | I - VI | 53.90          |
| Thigh High Open Toe Standard Width with Lace Silicone Band     | Petite, Regular | I - VI | 53.90          |
| Thigh High Open Toe Standard Width with Sensitive Band         | Petite, Regular | I - VI | 53.90          |
| Thigh High Open Toe Wide Width With Dotted Silicone Band       | Petite, Regular | I - VI | 53.90          |
| Thigh High Open Toe Wide Width with Lace Silicone Band         | Petite, Regular | I - VI | 53.90          |
| Thigh High Open Toe Wide Width with Sensitive Band             | Petite, Regular | I - VI | 53.90          |
| Tights Closed Toe  | Petite, Regular | I - VI | 49.40          |
| Tights Open Toe  | Petite, Regular | I - VI | 49.40          |
| <b>Class 2 (23-32mmHg)</b>                                     |                 |        |                |
| Knee High Closed Toe   | Petite, Regular | I - VI | 28.37          |
| Knee High Open Toe   | Petite, Regular | I - VI | 28.37          |
| Thigh High Closed Toe Standard Width with Sensitive Band       | Petite, Regular | I - VI | 53.90          |
| Thigh High Closed Toe Standard Width with Lace Silicone Band   | Petite, Regular | I - VI | 53.90          |
| Thigh High Closed Toe Standard Width with Dotted Silicone Band | Petite, Regular | I - VI | 53.90          |
| Thigh High Closed Toe Wide Width with Sensitive Band           | Petite, Regular | I - VI | 53.90          |
| Thigh High Closed Toe Wide Width with Lace Silicone Band       | Petite, Regular | I - VI | 53.90          |
| Thigh High Closed Toe Wide Width with Dotted Silicone Band     | Petite, Regular | I - VI | 53.90          |
| Thigh High Open Toe Standard Width with Sensitive Band         | Petite, Regular | I - VI | 53.90          |
| Thigh High Open Toe Standard Width with Lace Silicone Band     | Petite, Regular | I - VI | 53.90          |
| Thigh High Open Toe Wide Width with Sensitive Band             | Petite, Regular | I - VI | 53.90          |
| Thigh High Open Toe Wide Width with Lace Silicone Band         | Petite, Regular | I - VI | 53.90          |
| Thigh High Open Toe Standard Width with Dotted Silicone Band   | Petite, Regular | I - VI | 53.90          |
| Thigh High Open Toe Wide Width with Dotted Silicone Band       | Petite, Regular | I - VI | 53.90          |
| Tights Closed Toe  | Petite, Regular | I - VI | 49.40          |
| Tights Open Toe  | Petite, Regular | I - VI | 49.40          |

**Jobst UltraSheer**

| Style   | Lengths         | Sizes  | Price per pair |
|---|-----------------|--------|----------------|
| <b>Class 1 (18-21mmHg)</b>  |                 |        |                |
| Knee High Closed Toe  | Petite, Regular | I – VI | 28.01          |
| Thigh High Closed Toe Standard Width with Lace Silicone Band              | Petite, Regular | I – VI | 53.81          |
| Thigh High Closed Toe Standard Width with Sensitive Band                  | Petite, Regular | I – VI | 53.81          |
| Thigh High Closed Toe Wide Width with Lace Silicone Band                  | Petite, Regular | I – VI | 53.81          |
| Thigh High Closed Toe Wide Width with Sensitive Band                      | Petite, Regular | I – VI | 53.81          |
| Thigh High Open Toe Standard Width with Sensitive Band                    | Petite, Regular | I – VI | 53.81          |
| Thigh High Open Toe Wide Width with Sensitive Band                        | Petite, Regular | I – VI | 53.81          |
| Tights Closed Toe   | Petite, Regular | I – VI | 48.77          |
| <b>Class 2 (23-32mmHg)</b>  |                 |        |                |
| Knee High Closed Toe  | Petite, Regular | I – VI | 28.01          |
| Knee High Open Toe  | Petite, Regular | I – VI | 28.01          |
| Thigh High Closed Toe Standard Width with Decorative Dotted Silicone Band | Petite, Regular | I – VI | 53.81          |
| Thigh High Closed Toe Standard Width with Lace Silicone Band              | Petite, Regular | I – VI | 53.81          |
| Thigh High Closed Toe Standard Width with Sensitive Band                  | Petite, Regular | I – VI | 53.81          |
| Thigh High Closed Toe Wide Width with Decorative Dotted Silicone Band     | Petite, Regular | I – VI | 53.81          |
| Thigh High Closed Toe Wide Width with Lace Silicone Band                  | Petite, Regular | I – VI | 53.81          |
| Thigh High Closed Toe Wide Width with Sensitive Band                      | Petite, Regular | I – VI | 53.81          |
| Thigh High Open Toe Standard Width with Decorative Dotted Silicone Band   | Petite, Regular | I – VI | 53.81          |
| Thigh High Open Toe Standard Width with Lace Silicone Band                | Petite, Regular | I – VI | 53.81          |
| Thigh High Open Toe Standard Width with Sensitive Band                    | Petite, Regular | I – VI | 53.81          |
| Thigh High Open Toe Wide Width with Decorative Dotted Silicone Band       | Petite, Regular | I – VI | 53.81          |
| Thigh High Open Toe Wide Width with Lace Silicone Band                    | Petite, Regular | I – VI | 53.81          |
| Thigh High Open Toe Wide Width with Sensitive Band                        | Petite, Regular | I – VI | 53.81          |
| Tights Closed Toe   | Petite, Regular | I – VI | 48.77          |
| Tights Open Toe   | Petite, Regular | I – VI | 48.77          |

**Juxta**

| Style              | Sizes         | Price per piece |
|--------------------|---------------|-----------------|
| <b>(20-30mmHg)</b> |               |                 |
| Glove              | 2, 3, 4, 5, 6 | 43.92           |
| Toe Cap            | 2, 3, 4, 5, 6 | 27.99           |

**Juxta-Fit**

| Style                         | Lengths        | Sizes            | Price per piece |
|-------------------------------|----------------|------------------|-----------------|
| Armsleeve (Right, Left)       | Standard, Long | 1,2,3,4,5,6      | 184.05          |
| Hand Wrap (Right, Left)       |                | XS, S, M, L, XL  | 25.35           |
| Lower Legging                 | 28cm           | S, M, L, XL, XXL | 142.04          |
|                               | 36cm           | S, M, L, XL, XXL | 142.04          |
| Lower Legging Extra Wide Calf | 28cm           | M, L, XL         | 137.65          |
|                               | 36cm           | M, L, XL         | 137.65          |
| Ankle Foot Wrap, Interlocking |                | S, M, L          | 39.77           |
| Ankle Foot Wrap, Closed Heal  |                | S, M, L          | 39.77           |

**Juxta-Fit Essentials**

| Style                                   | Lengths | Sizes           | Price per piece |
|---|---------|-----------------|-----------------|
| Upper Leg with Knee piece (Right, Left) | 45cm    | XS, S, M, L, XL | 150.32          |
|   | 55cm    | XS, S, M, L, XL | 150.32          |
| Full Leg Liner Sock                     |         |                 | 18.38           |

**Juzo Adjustable Compression System Light** (formerly Juzo Adjustable Compression System)

| Style                  | Lengths      | Sizes           | Price per piece |
|------------------------|--------------|-----------------|-----------------|
| Hand                   | Normal       | XS, S, M, L     | 29.17           |
| Sleeve (Left or Right) | Normal, Long | XS, S, M, L, XL | 140.60          |
| Foot                   | Normal, Long | XS, S, M, L, XL | 36.45           |
| Calf (Left or Right)   | Normal, Long | XS, S, M, L, XL | 88.53           |
| Knee                   | Normal       | XS, S, M, L, XL | 46.86           |
| Thigh (Left or Right)  | Normal, Long | XS, S, M, L, XL | 98.95           |
| Midline Band           |              |                 | 35.48           |
| Extender Strap         |              |                 | 18.22           |
|                        |              |                 | Price per pair  |
| Liner                  |              |                 | 17.96           |

**Juzo Adjustable Compression System Light Essentials**

| Style                             | Lengths      | Sizes           | Price per piece |
|-----------------------------------|--------------|-----------------|-----------------|
| Calf + Liner Pack (Left or Right) | Normal, Long | XS, S, M, L, XL | 104.00          |

**Juzo Adventure**

| Style  | Lengths                      | Sizes            | Price per pair        |
|--|------------------------------|------------------|-----------------------|
| <b>Class 1 (18-21mmHg)</b>                   |                              |                  | <b>Price per pair</b> |
| Below Knee Closed Toe                        | Extra Short, Short, Standard | I,II,III,IV,V,VI | 28.38                 |
| Below Knee Closed Toe with Silicone Top Band | Extra Short, Short, Standard | I,II,III,IV,V,VI | 30.41                 |
| <b>Class 2 (23-32mmHg)</b>                   |                              |                  | <b>Price per pair</b> |
| Below Knee Closed Toe                        | Extra Short, Short, Standard | I,II,III,IV,V,VI | 28.38                 |
| Below Knee Closed Toe with Silicone Top Band | Extra Short, Short, Standard | I,II,III,IV,V,VI | 30.41                 |

**Juzo Adventure MTM**

| Style                                      | Codes   | Price per piece        |
|--|---------|------------------------|
| <b>Class 1 (18-21mmHg)</b>                 |         | <b>Price per piece</b> |
| Below Knee Closed Toe                      | JLA1AD  | 27.37                  |
| Below Knee Closed Toe with Silicone Border | JLA1ADS | 31.24                  |
| <b>Class 2 (23-32mmHg)</b>                 |         | <b>Price per piece</b> |
| Below Knee Closed Toe                      | JLA2AD  | 27.37                  |
| Below Knee Closed Toe with Silicone Border | JLA2ADS | 31.24                  |

*NB: The above garments are available with additional options. These are priced separately. See below*

|                     |        |      |
|---------------------|--------|------|
| Non-standard colour | JLEA50 | 3.24 |
|---------------------|--------|------|

**Juzo Classic**

| Garment Type  | Sizes          | Price per piece        |
|---|----------------|------------------------|
| <b>Class 1(18-21mmHg)</b>                           |                | <b>Price per piece</b> |
| Gauntlet  | 2, 3, 4, 5     | 13.16                  |
| Glove   | II, III, IV, V | 42.10                  |
| Seamless Armsleeve with Grip Top                    | 2, 3, 4, 5, 6  | 19.21                  |
| Seamless Combined Armsleeve with Mitten Grip Top    | 2, 3, 4, 5, 6  | 33.81                  |
| Seamless Combined Armsleeve with Glove and Grip Top | 2, 3, 4, 5, 6  | 60.74                  |
| Seamless Toe Cap (Left or Right)                    | II, III, IV, V | 27.59                  |
| <b>Class 2(23-32mmHg)</b>                           |                |                        |
| Gauntlet  | 2, 3, 4, 5     | 13.16                  |
| Glove   | II, III, IV, V | 41.42                  |
| Seamless Armsleeve with Grip Top                    | 2, 3, 4, 5, 6  | 19.21                  |
| Seamless Combined Armsleeve with Mitten Grip Top    | 2, 3, 4, 5, 6  | 33.81                  |
| Seamless Combined Armsleeve with Glove and Grip Top | 2, 3, 4, 5, 6  | 60.74                  |
| Seamless Toe Cap (Left or Right)                    | II, III, IV, V | 27.30                  |

**Juzo Compression Wrap**

| Style                  | Lengths       | Sizes                  | Price per piece |
|------------------------|---------------|------------------------|-----------------|
| Foot                   | Universal     | S, M, L                | 36.45           |
| Calf                   | Regular, Long | S, M, L, XL, XXL, XXXL | 88.53           |
| Calf Max               | Regular, Long | S, M, L, XL, XXL, XXXL | 88.53           |
| Set (Calf + Liner)     | Regular, Long | S, M, L, XL, XXL, XXXL | 108.00          |
| Set (Calf Max + Liner) | Regular, Long | S, M, L, XL, XXL, XXXL | 108.00          |

**Juzo Dual Stretch**

| Style                                     | Length         | Sizes             | Price per pair |
|---|----------------|-------------------|----------------|
| <b>(20-30mmHg)</b><br>Below Knee Open Toe | Short, Regular | I, II, III, IV, V | 25.91          |

**Juzo Dynamic**

| Style   | Lengths                    | Sizes  | Price per piece        |
|---|----------------------------|--------|------------------------|
| <b>Class 1(18-21mmHg)</b>                             |                            |        |                        |
| Armsleeve   |                            | I - VI | 16.57                  |
| Armsleeve max   |                            | I - VI | 16.57                  |
| Armsleeve with Silicone Border                        |                            | I - VI | 21.71                  |
| Armsleeve with Silicone Border max                    |                            | I - VI | 21.71                  |
| Combined Armsleeve with Silicone Border               |                            | I - VI | 34.27                  |
| Combined Armsleeve with Silicone Border max           |                            | I - VI | 34.27                  |
| Armsleeve with Shoulder Strap                         |                            | I - VI | 23.68                  |
| Armsleeve with Shoulder and Strap max                 |                            | I - VI | 23.68                  |
|   |                            |        | <b>Price per pair</b>  |
| Below Knee Open Toe                                   | Extra Short,Short,Standard | I - VI | 25.53                  |
| Below Knee Closed Toe                                 | Extra Short,Short,Standard | I - VI | 25.53                  |
| Below Knee Open Toe with Silicone Border              | Extra Short,Short,Standard | I - VI | 27.60                  |
| Below Knee Closed Toe with Silicone Border            | Extra Short,Short,Standard | I - VI | 27.60                  |
| Thigh High Open Toe                                   | Extra Short,Short,Standard | I - VI | 37.66                  |
| Thigh High Closed Toe                                 | Extra Short,Short,Standard | I - VI | 37.66                  |
| Thigh High Open Toe with Silicone Border              | Extra Short,Short,Standard | I - VI | 47.23                  |
| Thigh High Closed Toe with Silicone Border            | Extra Short,Short,Standard | I - VI | 47.23                  |
| Thigh High Open Toe with Wide Silicone Border         | Extra Short,Short,Standard | I - VI | 47.23                  |
| Thigh High Closed Toe with Wide Silicone Border       | Extra Short,Short,Standard | I - VI | 47.23                  |
| Tights Open Toe                                       | Extra Short,Short,Standard | I - VI | 51.04                  |
| Tights Closed Toe                                     | Extra Short,Short,Standard | I - VI | 51.04                  |
|   |                            |        | <b>Price per piece</b> |
| Thigh High Open Toe with Waist Attachment Right Leg   | Extra Short,Short,Standard | I - VI | 29.17                  |
| Thigh High Closed Toe with Waist Attachment Right Leg | Extra Short,Short,Standard | I - VI | 29.17                  |
| Thigh High Open Toe with Waist Attachment Left Leg    | Extra Short,Short,Standard | I - VI | 29.17                  |
| Thigh High Closed Toe with Waist Attachment Left Leg  | Extra Short,Short,Standard | I - VI | 29.17                  |

**Juzo Dynamic** cont.**Class 2(23-32mmHg)**

|   |  |        | <b>Price per piece</b> |
|---|--|--------|------------------------|
| Armsleeve                                   |  | I – VI | 16.57                  |
| Armsleeve max                               |  | I – VI | 16.57                  |
| Armsleeve with Silicone Border              |  | I – VI | 21.71                  |
| Armsleeve with Silicone Border max          |  | I – VI | 21.71                  |
| Combined Armsleeve with Silicone Border     |  | I – VI | 34.27                  |
| Combined Armsleeve with Silicone Border max |  | I – VI | 34.27                  |
| Armsleeve with Shoulder Strap               |  | I – VI | 23.68                  |
| Armsleeve with Shoulder and Strap max       |  | I – VI | 23.68                  |

**Price per pair**

|   |                              |        |       |
|---|------------------------------|--------|-------|
| Below Knee Open Toe                             | Extra Short, Short, Standard | I – VI | 25.53 |
| Below Knee Closed Toe                           | Extra Short, Short, Standard | I – VI | 25.53 |
| Below Knee Open Toe with Silicone Border        | Extra Short, Short, Standard | I – VI | 27.60 |
| Below Knee Closed Toe with Silicone Border      | Extra Short, Short, Standard | I – VI | 27.60 |
| Thigh High Open Toe                             | Extra Short, Short, Standard | I – VI | 37.66 |
| Thigh High Closed Toe                           | Extra Short, Short, Standard | I – VI | 37.66 |
| Thigh High Open Toe with Silicone Border        | Extra Short, Short, Standard | I – VI | 47.23 |
| Thigh High Closed Toe with Silicone Border      | Extra Short, Short, Standard | I – VI | 47.23 |
| Thigh High Open Toe with Wide Silicone Border   | Extra Short, Short, Standard | I – VI | 47.23 |
| Thigh High Closed Toe with Wide Silicone Border | Extra Short, Short, Standard | I – VI | 47.23 |
| Tights Open Toe                                 | Extra Short, Short, Standard | I – VI | 51.04 |
| Tights Closed Toe                               | Extra Short, Short, Standard | I – VI | 51.04 |

**Price per piece**

|   |                              |        |       |
|---|------------------------------|--------|-------|
| Thigh High Open Toe with Waist Attachment Right Leg   | Extra Short, Short, Standard | I – VI | 29.17 |
| Thigh High Closed Toe with Waist Attachment Right Leg | Extra Short, Short, Standard | I – VI | 29.17 |
| Thigh High Open Toe with Waist Attachment Left Leg    | Extra Short, Short, Standard | I – VI | 29.17 |
| Thigh High Closed Toe with Waist Attachment Left Leg  | Extra Short, Short, Standard | I – VI | 29.17 |

**Class 3(34-46mmHg)**

|   |                 |        | <b>Price per pair</b> |
|---|-----------------|--------|-----------------------|
| Below Knee Open Toe                             | Short, Standard | I – VI | 26.51                 |
| Below Knee Closed Toe                           | Short, Standard | I – VI | 26.51                 |
| Below Knee Open Toe with Silicone Border        | Short, Standard | I – VI | 27.60                 |
| Below Knee Closed Toe with Silicone Border      | Short, Standard | I – VI | 27.60                 |
| Thigh High Open Toe                             | Short, Standard | I – VI | 40.84                 |
| Thigh High Closed Toe                           | Short, Standard | I – VI | 40.84                 |
| Thigh High Open Toe with Silicone Border        | Short, Standard | I – VI | 50.41                 |
| Thigh High Closed Toe with Silicone Border      | Short, Standard | I – VI | 50.41                 |
| Thigh High Open Toe with Wide Silicone Border   | Short, Standard | I – VI | 50.41                 |
| Thigh High Closed Toe with Wide Silicone Border | Short, Standard | I – VI | 50.41                 |
| Tights Open Toe                                 | Short, Standard | I – VI | 51.04                 |
| Tights Closed Toe                               | Short, Standard | I – VI | 51.04                 |

**Price each**

|   |                 |        |       |
|---|-----------------|--------|-------|
| Thigh High Open Toe with Waist Attachment Right Leg   | Short, Standard | I – VI | 29.17 |
| Thigh High Closed Toe with Waist Attachment Right Leg | Short, Standard | I – VI | 29.17 |
| Thigh High Open Toe with Waist Attachment Left Leg    | Short, Standard | I – VI | 29.17 |
| Thigh High Closed Toe with Waist Attachment Left Leg  | Short, Standard | I – VI | 29.17 |

**Juzo Dynamic** – Custom made for the lower limb

| Garment Type   | Price per piece |
|--|-----------------|
| <b>Class 1 (18-21mmHg)</b>   |                 |
| Below Knee Open Toe  | 27.90           |
| Below Knee Closed Toe  | 27.90           |
| Below Knee Open Toe with Silicone Top Band   | 31.84           |
| Below Knee Closed Toe with Silicone Top Band   | 31.84           |
| Thigh High Open Toe  | 38.15           |
| Thigh High Closed Toe  | 38.15           |
| Thigh High Open Toe with Silicone Top Band   | 42.10           |
| Thigh High Closed Toe with Silicone Top Band   | 42.10           |
| One-legged Panty Open Toe  | 101.03          |
| One-legged Panty Closed Toe  | 101.03          |
| Thigh High Open Toe with Waist Attachment Right Leg  | 55.99           |
| Thigh High Closed Toe with Waist Attachment Right Leg  | 55.99           |
| Thigh High Open Toe with Waist Attachment Left Leg   | 55.99           |
| Thigh High Closed Toe with Waist Attachment Left Leg   | 55.99           |
| Tights Open Toe  | 111.56          |
| Tights Closed Toe  | 111.56          |
| <b>Class 2 (23-32mmHg)</b>   |                 |
| Below Knee Open Toe  | 28.41           |
| Below Knee Closed Toe  | 28.41           |
| Below Knee Open Toe with Silicone Top Band   | 32.36           |
| Below Knee Closed Toe with Silicone Top Band   | 32.36           |
| Thigh High Open Toe  | 39.21           |
| Thigh High Closed Toe  | 39.21           |
| Thigh High Open Toe with Silicone Top Band   | 43.15           |
| Thigh High Closed Toe with Silicone Top Band   | 43.15           |
| One-legged Panty Open Toe  | 103.14          |
| One-legged Panty Closed Toe  | 103.14          |
| Thigh High Open Toe with Waist Attachment Right Leg  | 57.04           |
| Thigh High Closed Toe with Waist Attachment Right Leg  | 57.04           |
| Thigh High Open Toe with Waist Attachment Left Leg   | 57.04           |
| Thigh High Closed Toe with Waist Attachment Left Leg   | 57.04           |
| Tights Open Toe  | 113.67          |
| Tights Closed Toe  | 113.67          |
| <b>Class 3 (34-46mmHg)</b>   |                 |
| Below Knee Open Toe  | 29.47           |
| Below Knee Closed Toe  | 29.47           |
| Below Knee Open Toe with Silicone Top Band   | 33.41           |
| Below Knee Closed Toe with Silicone Top Band   | 33.41           |
| Thigh High Open Toe  | 40.25           |
| Thigh High Closed Toe  | 40.25           |
| Thigh High Open Toe with Silicone Top Band   | 44.20           |
| Thigh High Closed Toe with Silicone Top Band   | 44.20           |
| One-legged Panty Open Toe  | 105.25          |
| One-legged Panty Closed Toe  | 105.25          |
| Thigh High Open Toe with Waist Attachment Right Leg  | 59.15           |
| Thigh High Closed Toe with Waist Attachment Right Leg  | 59.15           |
| Thigh High Open Toe with Waist Attachment Left Leg   | 59.15           |
| Thigh High Closed Toe with Waist Attachment Left Leg   | 59.15           |
| Tights Open Toe  | 115.78          |
| Tights Closed Toe  | 115.78          |
| <i>NB: The above garments are available with additional options. These are priced separately. See below.</i> |                 |
| Fly  | 10.52           |
| Open Crotch  | 6.31            |



**Juzo Dynamic** – Custom made for the upper limb

| Garment Type                        | Price per piece        |
|-------------------------------------|------------------------|
| <b>Class 1 (18-21mmHg)</b>          |                        |
| Armsleeve                           | 32.29                  |
| Armsleeve with Grip Top             | 36.45                  |
| Armsleeve with Shoulder Strap       | 45.99                  |
| Armsleeve with Bra Strap Attachment | 48.06                  |
| Combined Armsleeve                  | 49.99                  |
| <b>Class 2 (23-32mmHg)</b>          | <b>Price per piece</b> |
| Armsleeve                           | 33.33                  |
| Armsleeve with Grip Top             | 37.49                  |
| Armsleeve with Shoulder Strap       | 47.03                  |
| Armsleeve with Bra Strap Attachment | 49.11                  |
| Combined Armsleeve                  | 51.04                  |
| <b>Class 3 (34-46mmHg)</b>          | <b>Price per piece</b> |
| Armsleeve                           | 34.37                  |
| Armsleeve with Grip Top             | 37.49                  |
| Armsleeve with Shoulder Strap       | 48.06                  |
| Armsleeve with Bra Strap Attachment | 50.15                  |

**Juzo Dynamic Cotton**

| Style   | Lengths                    | Sizes  |                        |
|---|----------------------------|--------|------------------------|
| <b>Class 1(18-21mmHg)</b>                             |                            |        | <b>price per piece</b> |
| Below Knee Open Toe                                   | Extra Short,Short,Standard | I – VI | 25.53                  |
| Below Knee Closed Toe                                 | Extra Short,Short,Standard | I – VI | 25.53                  |
| Below Knee Open Toe with Silicone Border              | Extra Short,Short,Standard | I – VI | 27.60                  |
| Below Knee Closed Toe with Silicone Border            | Extra Short,Short,Standard | I – VI | 27.60                  |
| Thigh High Open Toe                                   | Extra Short,Short,Standard | I – VI | 37.66                  |
| Thigh High Closed Toe                                 | Extra Short,Short,Standard | I – VI | 37.66                  |
| Thigh High Open Toe with Silicone Border              | Extra Short,Short,Standard | I – VI | 47.22                  |
| Thigh High Closed Toe with Silicone Border            | Extra Short,Short,Standard | I – VI | 47.22                  |
| Thigh High Open Toe Wide with Silicone Border         | Extra Short,Short,Standard | I – VI | 47.22                  |
| Thigh High Closed Toe Wide with Silicone Border       | Extra Short,Short,Standard | I – VI | 47.22                  |
| Tights Open Toe                                       | Extra Short,Short,Standard | I – VI | 51.03                  |
| Tights Closed Toe                                     | Extra Short,Short,Standard | I – VI | 51.03                  |
|   |                            |        | <b>price per pair</b>  |
| Thigh High Open Toe with Waist Attachment Right Leg   | Extra Short,Short,Standard | I – VI | 29.16                  |
| Thigh High Closed Toe with Waist Attachment Right Leg | Extra Short,Short,Standard | I – VI | 29.16                  |
| Thigh High Open Toe with Waist Attachment Left Leg    | Extra Short,Short,Standard | I – VI | 29.16                  |
| Thigh High Closed Toe with Waist Attachment Left Leg  | Extra Short,Short,Standard | I – VI | 29.16                  |
| <b>Class 2 (23-32mmHg)</b>                            |                            |        | <b>price per piece</b> |
| Below Knee Open Toe                                   | Extra Short,Short,Standard | I – VI | 25.53                  |
| Below Knee Closed Toe                                 | Extra Short,Short,Standard | I – VI | 25.53                  |
| Below Knee Open Toe with Silicone Border              | Extra Short,Short,Standard | I – VI | 27.60                  |
| Below Knee Closed Toe with Silicone Border            | Extra Short,Short,Standard | I – VI | 27.60                  |
| Thigh High Open Toe                                   | Extra Short,Short,Standard | I – VI | 37.66                  |
| Thigh High Closed Toe                                 | Extra Short,Short,Standard | I – VI | 37.66                  |
| Thigh High Open Toe with Silicone Border              | Extra Short,Short,Standard | I – VI | 47.22                  |
| Thigh High Closed Toe with Silicone Border            | Extra Short,Short,Standard | I – VI | 47.22                  |
| Thigh High Open Toe Wide with Silicone Border         | Extra Short,Short,Standard | I – VI | 47.22                  |
| Thigh High Closed Toe Wide with Silicone Border       | Extra Short,Short,Standard | I – VI | 47.22                  |
| Tights Open Toe                                       | Extra Short,Short,Standard | I – VI | 51.03                  |
| Tights Closed Toe                                     | Extra Short,Short,Standard | I – VI | 51.03                  |
|   |                            |        | <b>price per pair</b>  |
| Thigh High Open Toe with Waist Attachment Right Leg   | Extra Short,Short,Standard | I – VI | 29.16                  |
| Thigh High Closed Toe with Waist Attachment Right Leg | Extra Short,Short,Standard | I – VI | 29.16                  |
| Thigh High Open Toe with Waist Attachment Left Leg    | Extra Short,Short,Standard | I – VI | 29.16                  |
| Thigh High Closed Toe with Waist Attachment Left Leg  | Extra Short,Short,Standard | I – VI | 29.16                  |

**Juzo Dynamic Cotton** – Custom made for the lower limb

| Garment Type   |  |                        |
|--|--|------------------------|
| <b>Class 1 (18-21mmHg)</b>   |  | <b>Price per piece</b> |
| Below Knee Open Toe  |  | 27.89                  |
| Below Knee Closed Toe  |  | 27.89                  |
| Below Knee Open Toe with Silicone Top Band   |  | 31.84                  |
| Below Knee Closed Toe with Silicone Top Band   |  | 31.84                  |
| Thigh High Open Toe  |  | 38.15                  |
| Thigh High Closed Toe  |  | 38.15                  |
| Thigh High Open Toe with Silicone Top Band   |  | 42.10                  |
| Thigh High Closed Toe with Silicone Top Band   |  | 42.10                  |
| One-legged Panty Open Toe  |  | 101.04                 |
| One-legged Panty Closed Toe  |  | 101.04                 |
| Thigh High Open Toe with Waist Attachment Right Leg  |  | 55.99                  |
| Thigh High Closed Toe with Waist Attachment Right Leg  |  | 55.99                  |
| Thigh High Open Toe with Waist Attachment Left Leg   |  | 55.99                  |
| Thigh High Closed Toe with Waist Attachment Left Leg   |  | 55.99                  |
| Tights Open Toe  |  | 111.56                 |
| Tights Closed Toe  |  | 111.56                 |
| <b>Class 2 (23-32mmHg)</b>   |  | <b>Price per piece</b> |
| Below Knee Open Toe  |  | 28.42                  |
| Below Knee Closed Toe  |  | 28.42                  |
| Below Knee Open Toe with Silicone Top Band   |  | 32.36                  |
| Below Knee Closed Toe with Silicone Top Band   |  | 32.36                  |
| Thigh High Open Toe  |  | 39.20                  |
| Thigh High Closed Toe  |  | 39.20                  |
| Thigh High Open Toe with Silicone Top Band   |  | 43.15                  |
| Thigh High Closed Toe with Silicone Top Band   |  | 43.15                  |
| One-legged Panty Open Toe  |  | 103.14                 |
| One-legged Panty Closed Toe  |  | 103.14                 |
| Thigh High Open Toe with Waist Attachment Right Leg  |  | 57.04                  |
| Thigh High Closed Toe with Waist Attachment Right Leg  |  | 57.04                  |
| Thigh High Open Toe with Waist Attachment Left Leg   |  | 57.04                  |
| Thigh High Closed Toe with Waist Attachment Left Leg   |  | 57.04                  |
| Tights Open Toe  |  | 113.67                 |
| Tights Closed Toe  |  | 113.67                 |
| <i>NB: The above garments are available with additional options. These are priced separately. See below.</i> |  |                        |
| Fly  |  | 10.52                  |
| Open Crotch  |  | 6.31                   |

**Juzo Energy**

| Style                      | Lengths         | Sizes  |                       |
|----------------------------|-----------------|--------|-----------------------|
| <b>Class 1 (18-21mmHg)</b> |                 |        | <b>Price per pair</b> |
| Below Knee Closed Toe      | Standard, Short | I – VI | 26.48                 |
| <b>Class 2 (23-32mmHg)</b> |                 |        | <b>Price per pair</b> |
| Below Knee Closed Toe      | Standard, Short | I – VI | 26.48                 |

**Juzo Expert**

– Custom made for the upper limb

| Garment Type   | Codes   |       | Price per piece |
|--|---------|-------|-----------------|
| <b>Class 1(18-21mmHg)</b>  |         |       |                 |
| Armsleeve  | JUE1CG  |       | 33.68           |
| Armsleeve with Gauntlet  | JUE1AG  |       | 67.36           |
| Armsleeve with Glove   | JUE1AGL |       | 85.25           |
| Gauntlet with thumb stub   | JUE1G   | Short | 35.26           |
| Gauntlet with thumb stub   | JUE1G   | Long  | 39.99           |
| Glove with open Fingers  | JUE1GLO | Short | 54.73           |
| Glove with closed Fingers  | JUE1GLC | Short | 54.73           |
| Glove with open Fingers  | JUE1GLO | Long  | 55.78           |
| Glove with closed Fingers  | JUE1GLC | Long  | 55.78           |
| Body Bandage   | JUE1BB  | Short | 67.70           |
| <b>Class 2(23-32mmHg)</b>  |         |       |                 |
| Armsleeve  | JUE2CG  |       | 35.52           |
| Armsleeve with Gauntlet  | JUE2AG  |       | 68.41           |
| Armsleeve with Glove   | JUE2AGL |       | 92.62           |
| Gauntlet with thumb stub   | JUE2G   | Short | 35.78           |
| Gauntlet with thumb stub   | JUE2G   | Long  | 40.52           |
| Glove with open Fingers  | JUE2GLO | Short | 60.52           |
| Glove with closed Fingers  | JUE2GLC | Short | 60.52           |
| Glove with open Fingers  | JUE2GLO | Long  | 61.57           |
| Glove with closed Fingers  | JUE2GLC | Long  | 61.57           |
| Body Bandage   | JUE2BB  | Short | 69.78           |
| <b>Class 3(34-46mmHg)</b>  |         |       |                 |
| Armsleeve  | JUE3CG  |       | 36.84           |
| Armsleeve with Gauntlet  | JUE3AG  |       | 69.46           |
| Armsleeve with Glove   | JUE3AGL |       | 94.72           |
| Gauntlet with thumb stub   | JUE3G   | Short | 36.84           |
| Glove with open Fingers  | JUE3GLO | Short | 63.15           |
| Glove with closed Fingers  | JUE3GLC | Short | 63.15           |
| <i>NB: The above garments are available with additional options. These are priced separately. See below.</i> |         |       |                 |
| Anatomically flexed middle of elbow  | JUEA25  |       | 6.31            |
| Border   | JUEA24  |       | 4.17            |
| Hook and Eye fastener  | JUEA23  |       | 7.81            |
| Internal sewn-in adhesive border (piece)   | JUEA22  |       | 4.17            |
| Knitted-in, seamless bra cup   | JUEA26  |       | 7.87            |
| Overheight   | JUEA5   |       | 6.31            |
| Pressure pads (piece)  | JUEA4   |       | 10.52           |
| Shoulder Cap   | JUEA21  |       | 13.84           |
| Shoulder Cap with silicone support   | JUEA20  |       | 18.05           |
| Silicone stopper (piece)   | JUEA19  |       | 4.17            |
| Tricot lining  | JUEA3   |       | 15.79           |
| Velcro fastener  | JUEA2   |       | 10.52           |
| Zipper   | JUEA1   |       | 21.05           |

**Juzo Expert**

– Custom made for the lower limb

| Garment Type   | Codes   | Price per piece |
|--|---------|-----------------|
| <b>Class 1(18-21mmHg)</b>  |         |                 |
| Foot with open toe   | JLE1TC  | 43.68           |
| Below Knee   | JLE1AD  | 33.15           |
| Below Knee Footless  | JLE1ADF | 30.20           |
| Thigh High   | JLE1AG  | 39.47           |
| Thigh High Footless  | JLE1AGF | 37.49           |
| Thigh High with Hip Attachment   | JLE1AGH | 59.46           |
| Tights open toe  | JLE1AT  | 143.13          |
| Capri pants  | JLE1CP  | 123.14          |
| Bermuda pants  | JLE1BP  | 98.93           |
| <b>Class 2(23-32mmHg)</b>  |         |                 |
| Foot with open toe   | JLE2TC  | 45.78           |
| Below Knee   | JLE2AD  | 35.26           |
| Below Knee Footless  | JLE2ADF | 32.29           |
| Thigh High   | JLE2AG  | 43.68           |
| Thigh High Footless  | JLE2AGF | 39.58           |
| Thigh High with Hip Attachment   | JLE2AGH | 60.52           |
| Tights open toe  | JLE2AT  | 147.34          |
| Capri pants  | JLE2CP  | 124.19          |
| Bermuda pants  | JLE2BP  | 99.98           |
| <b>Class 3(34-46mmHg)</b>  |         |                 |
| Foot with open toe   | JLE3TC  | 47.36           |
| Below Knee   | JLE3AD  | 38.94           |
| Below Knee Footless  | JLE3ADF | 34.94           |
| Thigh High   | JLE3AG  | 46.83           |
| Thigh High Footless  | JLE3AGF | 41.66           |
| Thigh High with Hip Attachment   | JLE3AGH | 63.15           |
| Tights open toe  | JLE3AT  | 168.39          |
| Capri pants  | JLE3CP  | 130.40          |
| Bermuda pants  | JLE3BP  | 105.04          |
| <b>Class 4(&gt;46mmHg)</b>   |         |                 |
| Below Knee   | JLE4AD  | 41.05           |
| Thigh High   | JLE4AG  | 52.62           |
| Thigh High with Hip Attachment   | JLE4AGH | 69.46           |
| Tights open toe  | JLE4AT  | 189.44          |
| <i>NB: The above garments are available with additional options. These are priced separately. See below.</i> |         |                 |
| Adhesive border  | JLEA18  | 3.95            |
| Adhesive border at bottom of leg   | JLEA17  | 7.89            |
| Adjustable waist band  | JLEA16  | 8.42            |
| Anatomically Flexed Knee   | JLEA27  | 7.81            |
| Ball stub (diagonal foot)  | JLEA15  | 6.31            |
| Closed toe   | JLEA14  | 0.52            |
| Fly  | JLEA13  | 10.52           |
| Hip fastening belt at 'T'  | JLEA12  | 7.89            |
| Hip fastening belt at 'T' with Velcro  | JLEA11  | 15.79           |
| Incorporated scrotum   | JLEA10  | 15.79           |
| Instep stitching   | JLEA9   | 3.16            |
| Internal sewn-in adhesive border   | JLEA8   | 3.95            |
| Open crotch  | JLEA7   | 6.31            |
| Overheight   | JLEA5   | 6.31            |
| Pressure pads (piece)  | JLEA4   | 10.52           |
| Silicone stopper   | JLEA6   | 3.95            |
| Tricot lining  | JLEA3   | 15.79           |
| Velcro fastener  | JLEA2   | 10.52           |
| Zipper   | JLEA1   | 21.05           |

**Juzo Expert Strong**

– Custom made for the upper limb

| Garment Type   | Codes    |       | Price per piece |
|--|----------|-------|-----------------|
| <b>Class 1(18-21mmHg)</b>  |          |       |                 |
| Armsleeve  | JUES1CG  |       | 35.78           |
| Armsleeve with Gauntlet  | JUES1AG  |       | 69.46           |
| Armsleeve with Glove   | JUES1AGL |       | 87.35           |
| Gauntlet with thumb stub   | JUES1G   | Short | 36.84           |
| Gauntlet with thumb stub   | JUES1G   | Long  | 41.05           |
| Glove with open Fingers  | JUES1GLO | Short | 55.78           |
| Glove with closed Fingers  | JUES1GLC | Short | 55.78           |
| Glove with open Fingers  | JUES1GLO | Long  | 57.89           |
| Glove with closed Fingers  | JUES1GLC | Long  | 57.89           |
| <b>Class 2(23-32mmHg)</b>  |          |       |                 |
| Armsleeve  | JUES2CG  |       | 36.84           |
| Armsleeve with Gauntlet  | JUES2AG  |       | 70.51           |
| Armsleeve with Glove   | JUES2AGL |       | 94.72           |
| Gauntlet with thumb stub   | JUES2G   | Short | 38.41           |
| Gauntlet with thumb stub   | JUES2G   | Long  | 41.57           |
| Glove with open Fingers  | JUES2GLO | Short | 62.62           |
| Glove with closed Fingers  | JUES2GLC | Short | 62.62           |
| Glove with open Fingers  | JUES2GLO | Long  | 62.62           |
| Glove with closed Fingers  | JUES2GLC | Long  | 62.62           |
| <b>Class 3(34-46mmHg)</b>  |          |       |                 |
| Armsleeve  | JUES3CG  |       | 38.94           |
| Armsleeve with Gauntlet  | JUES3AG  |       | 71.57           |
| Armsleeve with Glove   | JUES3AGL |       | 96.83           |
| Gauntlet with thumb stub   | JUES3G   | Short | 37.89           |
| Glove with open Fingers  | JUES3GLO | Short | 63.67           |
| Glove with closed Fingers  | JUES3GLC | Short | 63.67           |
| <i>NB: The above garments are available with additional options. These are priced separately. See below.</i> |          |       |                 |
| Anatomically flexed middle of elbow  | JUESA25  |       | 6.31            |
| Border   | JUESA24  |       | 4.17            |
| Hook and Eye fastener  | JUESA23  |       | 7.81            |
| Internal sewn-in adhesive border (piece)   | JUESA22  |       | 4.17            |
| Knitted-in, seamless bra cup   | JUESA26  |       | 7.81            |
| Overheight   | JUESA5   |       | 6.31            |
| Pressure pads (piece)  | JUESA4   |       | 10.52           |
| Shoulder Cap   | JUESA21  |       | 13.84           |
| Shoulder Cap with silicone support   | JUESA20  |       | 18.05           |
| Silicone stopper (piece)   | JUESA19  |       | 4.17            |
| Tricot lining  | JUESA3   |       | 15.79           |
| Velcro fastener  | JUESA2   |       | 10.52           |
| Zipper   | JUESA1   |       | 21.05           |

**Juzo Expert Strong**

– Custom made for the lower limb

| Garment Type   | Codes    | Price per piece |
|--|----------|-----------------|
| <b>Class 1(18-21mmHg)</b>  |          |                 |
| Foot with open toe   | JLES1TC  | 44.73           |
| Below Knee   | JLES1AD  | 33.68           |
| Below Knee Footless  | JLES1ADF | 30.72           |
| Thigh High   | JLES1AG  | 39.99           |
| Thigh High Footless  | JLES1AGF | 38.02           |
| Thigh High with Hip Attachment   | JLES1AGH | 59.99           |
| Tights open toe  | JLES1AT  | 143.66          |
| Capri pants  | JLES1CP  | 124.19          |
| Bermuda pants  | JLES1BP  | 99.98           |
| <b>Class 2(23-32mmHg)</b>  |          |                 |
| Foot with open toe   | JLES2TC  | 45.31           |
| Below Knee   | JLES2AD  | 35.78           |
| Below Knee Footless  | JLES2ADF | 32.81           |
| Thigh High   | JLES2AG  | 44.20           |
| Thigh High Footless  | JLES2AGF | 41.66           |
| Thigh High with Hip Attachment   | JLES2AGH | 61.04           |
| Tights open toe  | JLES2AT  | 152.61          |
| Capri pants  | JLES2CP  | 125.24          |
| Bermuda pants  | JLES2BP  | 101.04          |
| <b>Class 3(34-46mmHg)</b>  |          |                 |
| Foot with open toe   | JLES3TC  | 48.41           |
| Below Knee   | JLES3AD  | 39.47           |
| Below Knee Footless  | JLES3ADF | 35.41           |
| Thigh High   | JLES3AG  | 47.36           |
| Thigh High Footless  | JLES3AGF | 43.74           |
| Thigh High with Hip Attachment   | JLES3AGH | 64.20           |
| Tights open toe  | JLES3AT  | 173.66          |
| Capri pants  | JLES3CP  | 131.56          |
| Bermuda pants  | JLES3BP  | 106.09          |
| <b>Class 4(&gt;46mmHg)</b>   |          |                 |
| Below Knee   | JLES4AD  | 46.31           |
| Thigh High   | JLES4AG  | 53.68           |
| Thigh High with Hip Attachment   | JLES4AGH | 70.51           |
| Tights open toe  | JLES4AT  | 194.70          |
| <i>NB: The above garments are available with additional options. These are priced separately. See below.</i> |          |                 |
| Adhesive border  | JLESA18  | 3.95            |
| Adhesive border at bottom of leg   | JLESA17  | 7.89            |
| Adjustable waist band  | JLESA16  | 8.42            |
| Anatomically Flexed Knee   | JLESA27  | 7.81            |
| Ball stub (diagonal foot)  | JLESA15  | 6.31            |
| Closed toe   | JLESA14  | 0.52            |
| Fly  | JLESA13  | 10.52           |
| Hip fastening belt at 'T'  | JLESA12  | 7.89            |
| Hip fastening belt at 'T' with Velcro  | JLESA11  | 15.79           |
| Incorporated scrotum   | JLESA10  | 15.79           |
| Instep stitching   | JLESA9   | 3.16            |
| Internal sewn-in adhesive border   | JLESA8   | 3.95            |
| Open crotch  | JLESA7   | 6.31            |
| Overheight   | JLESA5   | 6.31            |
| Pressure pads (piece)  | JLESA4   | 10.52           |
| Silicone stopper   | JLESA6   | 3.95            |
| Tricot lining  | JLESA3   | 15.79           |
| Velcro fastener  | JLESA2   | 10.52           |
| Zipper   | JLESA1   | 21.05           |

**Juzo Hostess**

| Style   | Lengths                      | Sizes  | Price per pair |
|---|------------------------------|--------|----------------|
| <b>Class 1 (18-21mmHg)</b>                      |                              |        |                |
| Below Knee Open Toe                             | Extra Short, Standard, Short | I – VI | 26.48          |
| Below Knee Closed Toe                           | Extra Short, Standard, Short | I – VI | 26.48          |
| Below Knee Open Toe with Silicone Border        | Extra Short, Standard, Short | I – VI | 27.60          |
| Below Knee Closed Toe with Silicone Border      | Extra Short, Standard, Short | I – VI | 27.60          |
| Thigh High Open Toe                             | Extra Short, Standard, Short | I – VI | 38.29          |
| Thigh High Closed Toe                           | Extra Short, Standard, Short | I – VI | 38.29          |
| Thigh High Open Toe with Silicone Border        | Extra Short, Standard, Short | I – VI | 48.88          |
| Thigh High Closed Toe with Silicone Border      | Extra Short, Standard, Short | I – VI | 48.88          |
| Thigh High Open Toe with Wide Silicone Border   | Extra Short, Standard, Short | I – VI | 48.88          |
| Thigh High Closed Toe with Wide Silicone Border | Extra Short, Standard, Short | I – VI | 48.88          |
| Tights Open Toe                                 | Extra Short, Standard, Short | I – VI | 52.05          |
| Tights Closed Toe                               | Extra Short, Standard, Short | I – VI | 52.05          |
| <b>Class 2 (23-32mmHg)</b>                      |                              |        |                |
| Below Knee Open Toe                             | Extra Short, Standard, Short | I – VI | 26.48          |
| Below Knee Closed Toe                           | Extra Short, Standard, Short | I – VI | 26.48          |
| Below Knee Open Toe with Silicone Border        | Extra Short, Standard, Short | I – VI | 27.60          |
| Below Knee Closed Toe with Silicone Border      | Extra Short, Standard, Short | I – VI | 27.60          |
| Thigh High Open Toe                             | Extra Short, Standard, Short | I – VI | 38.29          |
| Thigh High Closed Toe                           | Extra Short, Standard, Short | I – VI | 38.29          |
| Thigh High Open Toe with Silicone Border        | Extra Short, Standard, Short | I – VI | 48.88          |
| Thigh High Closed Toe with Silicone Border      | Extra Short, Standard, Short | I – VI | 48.88          |
| Thigh High Open Toe with Wide Silicone Border   | Extra Short, Standard, Short | I – VI | 48.88          |
| Thigh High Closed Toe with Wide Silicone Border | Extra Short, Standard, Short | I – VI | 48.88          |
| Tights Open Toe                                 | Extra Short, Standard, Short | I – VI | 52.08          |
| Tights Closed Toe                               | Extra Short, Standard, Short | I – VI | 55.08          |

**Juzo Hostess – Custom made for the lower limb**

## Garment Type

| Garment Type                                 | Price per piece |
|--|-----------------|
| <b>Class 1 (18-21mmHg)</b>                   |                 |
| Below Knee Open Toe                          | 27.89           |
| Below Knee Closed Toe                        | 27.89           |
| Below Knee Open Toe with Silicone Top Band   | 31.84           |
| Below Knee Closed Toe with Silicone Top Band | 31.84           |
| Thigh High Open Toe                          | 38.15           |
| Thigh High Closed Toe                        | 38.15           |
| Thigh High Open Toe with Silicone Top Band   | 42.10           |
| Thigh High Closed Toe with Silicone Top Band | 42.10           |
| Tights Open Toe                              | 111.56          |
| Tights Closed Toe                            | 111.56          |
| <b>Class 2 (23-32mmHg)</b>                   |                 |
| Below Knee Open Toe                          | 28.42           |
| Below Knee Closed Toe                        | 28.42           |
| Below Knee Open Toe with Silicone Top Band   | 32.36           |
| Below Knee Closed Toe with Silicone Top Band | 32.36           |
| Thigh High Open Toe                          | 39.20           |
| Thigh High Closed Toe                        | 39.20           |
| Thigh High Open Toe with Silicone Top Band   | 43.15           |
| Thigh High Closed Toe with Silicone Top Band | 43.15           |
| Tights Open Toe                              | 113.67          |
| Tights Closed Toe                            | 113.67          |

**Juzo Inspiration**

| Style   | Lengths                     | Sizes  | Price per pair        |
|---|-----------------------------|--------|-----------------------|
| <b>Class 1(18-21mmHg)</b>                       |                             |        |                       |
| Below Knee Open Toe                             | Extra Short,Standard, Short | I – VI | 26.48                 |
| Below Knee Closed Toe                           | Extra Short,Standard, Short | I – VI | 26.48                 |
| Below Knee Open Toe with Silicone Border        | Extra Short,Standard, Short | I – VI | 27.60                 |
| Below Knee Closed Toe with Silicone Border      | Extra Short,Standard, Short | I – VI | 27.60                 |
| Thigh High Open Toe with Silicone Border        | Extra Short,Standard, Short | I – VI | 48.88                 |
| Thigh High Closed Toe with Silicone Border      | Extra Short,Standard, Short | I – VI | 48.88                 |
| Thigh High Open Toe Wide with Silicone Border   | Extra Short,Standard, Short | I – VI | 48.88                 |
| Thigh High Closed Toe Wide with Silicone Border | Extra Short,Standard, Short | I – VI | 48.88                 |
| Tights Open Toe                                 | Extra Short,Standard, Short | I – VI | 52.08                 |
| Tights Closed Toe                               | Extra Short,Standard, Short | I – VI | 52.08                 |
| <b>Class 2 (23-32mmHg)</b>                      |                             |        | <b>Price per pair</b> |
| Below Knee Open Toe                             | Extra Short,Standard, Short | I – VI | 26.48                 |
| Below Knee Closed Toe                           | Extra Short,Standard, Short | I – VI | 26.48                 |
| Below Knee Open Toe with Silicone Border        | Extra Short,Standard, Short | I – VI | 27.60                 |
| Below Knee Closed Toe with Silicone Border      | Extra Short,Standard, Short | I – VI | 27.60                 |
| Thigh High Open Toe with Silicone Border        | Extra Short,Standard, Short | I – VI | 48.88                 |
| Thigh High Closed Toe with Silicone Border      | Extra Short,Standard, Short | I – VI | 48.88                 |
| Thigh High Open Toe Wide with Silicone Border   | Extra Short,Standard, Short | I – VI | 48.88                 |
| Thigh High Closed Toe Wide with Silicone Border | Extra Short,Standard, Short | I – VI | 48.88                 |
| Tights Open Toe                                 | Extra Short,Standard, Short | I – VI | 52.08                 |
| Tights Closed Toe                               | Extra Short,Standard, Short | I – VI | 52.08                 |

**Juzo Inspiration – Custom made for the lower limb**

## Garment Type

| Garment Type                                 | Price per piece |
|--|-----------------|
| <b>Class 1 (18-21mmHg)</b>                   |                 |
| Below Knee Open Toe                          | 27.89           |
| Below Knee Closed Toe                        | 27.89           |
| Below Knee Open Toe with Silicone Top Band   | 31.84           |
| Below Knee Closed Toe with Silicone Top Band | 31.84           |
| Thigh High Open Toe                          | 38.15           |
| Thigh High Closed Toe                        | 38.15           |
| Thigh High Open Toe with Silicone Top Band   | 42.10           |
| Thigh High Closed Toe with Silicone Top Band | 42.10           |
| Tights Open Toe                              | 111.56          |
| Tights Closed Toe                            | 111.56          |
| <b>Class 2 (23-32mmHg)</b>                   |                 |
| Below Knee Open Toe                          | 28.42           |
| Below Knee Closed Toe                        | 28.42           |
| Below Knee Open Toe with Silicone Top Band   | 32.36           |
| Below Knee Closed Toe with Silicone Top Band | 32.36           |
| Thigh High Open Toe                          | 39.20           |
| Thigh High Closed Toe                        | 39.20           |
| Thigh High Open Toe with Silicone Top Band   | 43.15           |
| Thigh High Closed Toe with Silicone Top Band | 43.15           |
| Tights Open Toe                              | 113.67          |
| Tights Closed Toe                            | 113.67          |



**Juzo Move**

| Style   | Lengths         | Sizes  |                       |
|---|-----------------|--------|-----------------------|
| <b>Class 1(18-21mmHg)</b>                           |                 |        | <b>Price per pair</b> |
| Below Knee Open Toe                                 | Short, Standard | I – VI | 29.40                 |
| Below Knee Closed Toe                               | Short, Standard | I – VI | 29.40                 |
| Below Knee Open Toe with Silicone Adhesive Border   | Short, Standard | I – VI | 31.40                 |
| Below Knee Closed Toe with Silicone Adhesive Border | Short, Standard | I – VI | 31.40                 |
| Below Knee Open Toe with Silicone Balance Border    | Short, Standard | I – VI | 31.40                 |
| Below Knee Closed Toe with Silicone Balance Border  | Short, Standard | I – VI | 31.40                 |
| Thigh High Open Toe with Silicone Adhesive Border   | Short, Standard | I – VI | 55.20                 |
| Thigh High Closed Toe with Silicone Adhesive Border | Short, Standard | I – VI | 55.20                 |
| <b>Class 2 (23-32mmHg)</b>                          |                 |        | <b>Price per pair</b> |
| Below Knee Open Toe                                 | Short, Standard | I – VI | 29.40                 |
| Below Knee Closed Toe                               | Short, Standard | I – VI | 29.40                 |
| Below Knee Open Toe with Silicone Adhesive Border   | Short, Standard | I – VI | 31.40                 |
| Below Knee Closed Toe with Silicone Adhesive Border | Short, Standard | I – VI | 31.40                 |
| Below Knee Open Toe with Silicone Balance Border    | Short, Standard | I – VI | 31.40                 |
| Below Knee Closed Toe with Silicone Balance Border  | Short, Standard | I – VI | 31.40                 |
| Thigh High Open Toe with Silicone Adhesive Border   | Short, Standard | I – VI | 55.20                 |
| Thigh High Closed Toe with Silicone Adhesive Border | Short, Standard | I – VI | 55.20                 |

**Juzo Soft**

| Style   | Lengths                    | Sizes  |                        |
|---|----------------------------|--------|------------------------|
| <b>Class 1 (18-21mmHg)</b>                            |                            |        | <b>Price per piece</b> |
| Armsleeve   |                            | I – VI | 16.44                  |
| Armsleeve max   |                            | I – VI | 16.44                  |
| Armsleeve with Silicone Border                        |                            | I – VI | 21.53                  |
| Armsleeve with Silicone Border max                    |                            | I – VI | 21.53                  |
|   |                            |        | <b>Price per pair</b>  |
| Below Knee Open Toe                                   | Extra Short,Short,Standard | I – VI | 26.48                  |
| Below Knee Closed Toe                                 | Extra Short,Short,Standard | I – VI | 26.48                  |
| Below Knee Open Toe with Silicone Border              | Extra Short,Short,Standard | I – VI | 27.60                  |
| Below Knee Closed Toe with Silicone Border            | Extra Short,Short,Standard | I – VI | 27.60                  |
| Leggings  | Short, Standard            | I – VI | 50.50                  |
| Thigh High Open Toe                                   | Extra Short,Short,Standard | I – VI | 38.29                  |
| Thigh High Closed Toe                                 | Extra Short,Short,Standard | I – VI | 38.29                  |
| Thigh High Open Toe with Silicone Border              | Extra Short,Short,Standard | I – VI | 48.88                  |
| Thigh High Closed Toe with Silicone Border            | Extra Short,Short,Standard | I – VI | 48.88                  |
| Thigh High Open Toe with Wide Silicone Border         | Extra Short,Short,Standard | I – VI | 48.88                  |
| Thigh High Closed Toe with Wide Silicone Border       | Extra Short,Short,Standard | I – VI | 48.88                  |
| Tights Open Toe                                       | Extra Short,Short,Standard | I – VI | 52.08                  |
| Tights Closed Toe                                     | Extra Short,Short,Standard | I – VI | 52.08                  |
|   |                            |        | <b>Price each</b>      |
| Thigh High Open Toe with Waist Attachment Right Leg   | Extra Short,Short,Standard | I – VI | 29.68                  |
| Thigh High Closed Toe with Waist Attachment Right Leg | Extra Short,Short,Standard | I – VI | 29.68                  |
| Thigh High Open Toe with Waist Attachment Left Leg    | Extra Short,Short,Standard | I – VI | 29.68                  |
| Thigh High Closed Toe with Waist Attachment Left Leg  | Extra Short,Short,Standard | I – VI | 29.68                  |
| <b>Class 2 (23-32mmHg)</b>                            |                            |        | <b>Price per piece</b> |
| Armsleeve   |                            | I – VI | 16.44                  |
| Armsleeve max   |                            | I – VI | 16.44                  |
| Armsleeve with Silicone Border                        |                            | I – VI | 21.53                  |
| Armsleeve with Silicone Border max                    |                            | I – VI | 21.53                  |
|   |                            |        | <b>Price per pair</b>  |
| Below Knee Open Toe                                   | Extra Short,Short,Standard | I – VI | 26.48                  |
| Below Knee Closed Toe                                 | Extra Short,Short,Standard | I – VI | 26.48                  |
| Below Knee Open Toe with Silicone Border              | Extra Short,Short,Standard | I – VI | 27.60                  |
| Below Knee Closed Toe with Silicone Border            | Extra Short,Short,Standard | I – VI | 27.60                  |
| Thigh High Open Toe                                   | Extra Short,Short,Standard | I – VI | 38.29                  |
| Thigh High Closed Toe                                 | Extra Short,Short,Standard | I – VI | 38.29                  |
| Thigh High Open Toe with Silicone Border              | Extra Short,Short,Standard | I – VI | 48.88                  |
| Thigh High Closed Toe with Silicone Border            | Extra Short,Short,Standard | I – VI | 48.88                  |
| Thigh High Open Toe with Wide Silicone Border         | Extra Short,Short,Standard | I – VI | 48.88                  |
| Thigh High Closed Toe with Wide Silicone Border       | Extra Short,Short,Standard | I – VI | 48.88                  |
| Tights Open Toe                                       | Extra Short,Short,Standard | I – VI | 52.08                  |
| Tights Closed Toe                                     | Extra Short,Short,Standard | I – VI | 52.08                  |
|   |                            |        | <b>Price each</b>      |
| Thigh High Open Toe with Waist Attachment Right Leg   | Extra Short,Short,Standard | I – VI | 29.68                  |
| Thigh High Closed Toe with Waist Attachment Right Leg | Extra Short,Short,Standard | I – VI | 29.68                  |
| Thigh High Open Toe with Waist Attachment Left Leg    | Extra Short,Short,Standard | I – VI | 29.68                  |
| Thigh High Closed Toe with Waist Attachment Left Leg  | Extra Short,Short,Standard | I – VI | 29.68                  |

**Juzo Soft** – Custom made for the lower limb

| Garment Type   | Price per piece        |
|--|------------------------|
| <b>Class 1 (18-21mmHg)</b>   |                        |
| Below Knee Open Toe  | 27.89                  |
| Below Knee Closed Toe  | 27.89                  |
| Below Knee Open Toe with Silicone Top Band   | 31.84                  |
| Below Knee Closed Toe with Silicone Top Band   | 31.84                  |
| Thigh High Open Toe  | 38.15                  |
| Thigh High Closed Toe  | 38.15                  |
| Thigh High Open Toe with Silicone Top Band   | 42.10                  |
| Thigh High Closed Toe with Silicone Top Band   | 42.10                  |
| Thigh High Open Toe with Waist Attachment Right Leg  | 55.99                  |
| Thigh High Closed Toe with Waist Attachment Right Leg  | 55.99                  |
| Thigh High Open Toe with Waist Attachment Left Leg   | 55.99                  |
| Thigh High Closed Toe with Waist Attachment Left Leg   | 55.99                  |
| Tights Open Toe  | 111.56                 |
| Tights Closed Toe  | 111.56                 |
| <b>Class 2 (23-32mmHg)</b>   | <b>Price per piece</b> |
| Below Knee Open Toe  | 28.42                  |
| Below Knee Closed Toe  | 28.42                  |
| Below Knee Open Toe with Silicone Top Band   | 32.36                  |
| Below Knee Closed Toe with Silicone Top Band   | 32.36                  |
| Thigh High Open Toe  | 39.20                  |
| Thigh High Closed Toe  | 39.20                  |
| Thigh High Open Toe with Silicone Top Band   | 43.15                  |
| Thigh High Closed Toe with Silicone Top Band   | 43.15                  |
| Thigh High Open Toe with Waist Attachment Right Leg  | 57.04                  |
| Thigh High Closed Toe with Waist Attachment Right Leg  | 57.04                  |
| Thigh High Open Toe with Waist Attachment Left Leg   | 57.04                  |
| Thigh High Closed Toe with Waist Attachment Left Leg   | 57.04                  |
| Tights Open Toe  | 113.67                 |
| Tights Closed Toe  | 113.67                 |
| <i>NB: The above garments are available with additional options. These are priced separately. See below.</i> |                        |
| Fly  | 10.52                  |
| Open Crotch  | 6.31                   |

**Juzo Soft** – Custom made for the upper limb

| Garment Type                        | Price per piece |
|-------------------------------------|-----------------|
| <b>Class 1 (18-21mmHg)</b>          |                 |
| Armsleeve                           | 32.29           |
| Armsleeve with Grip Top             | 36.45           |
| Armsleeve with Shoulder Strap       | 45.98           |
| Armsleeve with Bra Strap Attachment | 48.07           |
| <b>Class 2 (23-32mmHg)</b>          |                 |
| Armsleeve                           | 33.33           |
| Armsleeve with Grip Top             | 37.49           |
| Armsleeve with Shoulder Strap       | 47.02           |
| Armsleeve with Bra Strap Attachment | 49.11           |

**Juzo Spirit MTO**

| Style                           | Code        | Price per piece |
|---------------------------------|-------------|-----------------|
| <b>Class 1(18-21mmHg)</b>       |             |                 |
| Below Knee                      | JL-SP1AD    | 28.50           |
| Below Knee with Silicone Border | JL-SP1ADSIL | 30.50           |
| Thigh High                      | JL-SP1AG    | 52.00           |
| Tights                          | JL-SP1AT    | 55.00           |
| <b>Class 2 (23-32mmHg)</b>      |             |                 |
| Below Knee                      | JL-SP2AD    | 28.50           |
| Below Knee with Silicone Border | JL-SP2ADSIL | 30.50           |
| Thigh High                      | JL-SP2AGSIL | 52.00           |
| Tights                          | JL-SP2AT    | 55.00           |

*NB: The garments are available with additional options. See below*

|                                      |         |
|--------------------------------------|---------|
| Normal leg                           | JL-N    |
| Short leg                            | JL-SL   |
| Extra short leg                      | JL-XSL  |
| Closed toe                           | JL-CT   |
| Non-standard colour                  | JL-COL  |
| Pattern                              | JL-PAT  |
| Thin adhesive border 3.5cm           | JL-TAB  |
| Thin balanced adhesive border 3.5cm  | JL-TBAB |
| Adhesive border 5cm                  | JL-AB   |
| Adhesive border patterned 5cm        | JL-ABP  |
| Balanced adhesive border 5cm         | JL-BAB  |
| Balanced adhesive border pattern 5cm | JL-BABP |
| Lace adhesive border                 | JL-LAB  |
| Comfort adhesive border              | JL-CAB  |
| Wide                                 | JL-WIDE |

**Mediven Active**

| Style                        | Sizes                      | Price per piece |
|------------------------------|----------------------------|-----------------|
| <b>Class 1(18-21mmHg)</b>    |                            |                 |
| Below Knee Closed Toe        | I, II, III, IV, V, VI, VII | 29.83           |
| Below Knee Closed Toe Petite | I, II, III, IV, V, VI, VII | 29.83           |
| <b>Class 2 (23-32mmHg)</b>   |                            |                 |
| Below Knee Closed Toe        | I, II, III, IV, V, VI, VII | 30.17           |
| Below Knee Closed Toe Petite | I, II, III, IV, V, VI, VII | 30.17           |

**Mediven Cosy MTM**

| Style                              | Code   | Price per piece |
|------------------------------------|--------|-----------------|
| <b>Class 1(18-21mmHg)</b>          |        |                 |
| Below Knee                         | DTCK1  | 35.29           |
| Thigh Length                       | DTCT1  | 41.08           |
| Thigh Length with Waist Attachment | DTCW1  | 57.96           |
| Tights                             | DTCTG1 | 148.57          |
| <b>Class 2 (23-32mmHg)</b>         |        |                 |
| Below Knee                         | DTCK2  | 36.96           |
| Thigh Length                       | DTCT2  | 45.37           |
| Thigh Length with Waist Attachment | DTCW2  | 62.29           |
| Tights                             | DTCTG2 | 168.78          |
| <b>Class 3 (34-46mmHg)</b>         |        |                 |
| Below Knee                         | DTCK3  | 41.40           |
| Thigh Length                       | DTCT3  | 51.04           |
| Thigh Length with Waist Attachment | DTCW3  | 63.92           |
| Tights                             | DTCTG3 | 179.41          |

*NB: The above garments are available with optional extras. These are priced separately. See below*

|                  |       |       |
|------------------|-------|-------|
| Closed Toe       | DTTOE | 1.09  |
| Silicone Topband |       | 8.25  |
| Y' Knitting Mark |       | 10.12 |
| Zip              |       | 22.81 |

**Mediven Elegance**

| Style  | Sizes                      | Price per piece |
|--|----------------------------|-----------------|
| <b>Class 1(18-21mmHg)</b>                          |                            |                 |
| Below Knee Closed Toe                              | I, II, III, IV, V, VI, VII | 30.09           |
| Below Knee Closed Toe Petite                       | I, II, III, IV, V, VI, VII | 30.09           |
| Thigh Length with Top Band Closed Toe              | I, II, III, IV, V, VI, VII | 57.81           |
| Thigh Length Petite Top Band Closed Toe            | I, II, III, IV, V, VI, VII | 53.92           |
| Thigh Length Extra Wide Closed Toe Top Band        | I, II, III, IV, V, VI, VII | 57.81           |
| Thigh Length Extra Wide Petite Closed Toe Top Band | I, II, III, IV, V, VI, VII | 53.92           |
| Tights Closed Toe                                  | I, II, III, IV, V, VI, VII | 58.60           |
| Tights Closed Toe Petite                           | I, II, III, IV, V, VI, VII | 58.60           |
| <b>Class 2(23-32mmHg)</b>                          |                            |                 |
| Below Knee Closed Toe                              | I, II, III, IV, V, VI, VII | 30.09           |
| Below Knee Closed Toe Petite                       | I, II, III, IV, V, VI, VII | 30.09           |
| Thigh Length with Top Band Closed Toe              | I, II, III, IV, V, VI, VII | 57.81           |
| Thigh Length Petite Top Band Closed Toe            | I, II, III, IV, V, VI, VII | 53.92           |
| Thigh Length Extra Wide Closed Toe Top Band        | I, II, III, IV, V, VI, VII | 57.81           |
| Thigh Length Extra Wide Petite Closed Toe Top Band | I, II, III, IV, V, VI, VII | 53.92           |
| Tights Closed Toe                                  | I, II, III, IV, V, VI, VII | 58.60           |
| Tights Closed Toe Petite                           | I, II, III, IV, V, VI, VII | 58.60           |

**Mediven Elegance Made to Measure**

| Style  | Code   | Price per piece |
|--|--------|-----------------|
| <b>Class 1(18-21mmHg)</b>  |        |                 |
| Below Knee   | DTLK1  | 27.79           |
| Thigh Length   | DTLT1  | 38.06           |
| Tights   | DTLTG1 | 111.13          |
| <b>Class 2 (23-32mmHg)</b>   |        |                 |
| Below Knee   | DTLK2  | 28.30           |
| Thigh Length   | DTLT2  | 39.05           |
| Tights   | DTLTG2 | 113.28          |
| <i>NB. The above garments are available with optional extras. These are priced separately. See below</i> |        |                 |
| Silicone Topband   | DTTB   | 8.26            |
| Soft Abdominal Panel   | DTSAP  | 19.56           |

**Mediven Esprit MTM**

| Style   | Sizes  | Price per piece |
|---|--------|-----------------|
| <b>Class 1(18-21mmHg)</b>   |        |                 |
| Armsleeve   | DTECG1 | 39.12           |
| Combined Armsleeve with Handpiece   | DTEAG1 | 72.36           |
| Combined Armsleeve with Fingers   | DTEAF1 | 98.62           |
| Handpiece   | DTEHP1 | 38.05           |
| Glove   | DTEGV1 | 64.32           |
| <b>Class 2(23-32mmHg)</b>   |        |                 |
| Armsleeve   | DTECG2 | 39.12           |
| Combined Armsleeve with Handpiece   | DTEAG2 | 72.36           |
| Combined Armsleeve with Fingers   | DTEAF2 | 98.62           |
| Handpiece   | DTEHP2 | 38.05           |
| Glove   | DTEGV2 | 64.32           |
| <b>Class 3(34-46mmHg)</b>   |        |                 |
| Armsleeve   | DTECG3 | 39.12           |
| Combined Armsleeve with Handpiece   | DTEAG3 | 72.36           |
| Combined Armsleeve with Fingers   | DTEAF3 | 98.62           |
| Handpiece   | DTEHP3 | 38.05           |
| Glove   | DTEGV3 | 64.32           |
| <i>NB: The above garments are available in various colours with no additional charge. The above garments are available with optional extras. These are priced separately. See below</i> |        |                 |
| Shoulder Cap  | DTECS  | 13.40           |
| Silicone Topband  | DTSTB  | 8.24            |
| Zip   | DTZIP  | 22.84           |

**Mediven for men**

| Style                        | Sizes                      | Price per pair |
|------------------------------|----------------------------|----------------|
| <b>Class 1(18-21mmHg)</b>    |                            |                |
| Below Knee Closed Toe        | I, II, III, IV, V, VI, VII | 29.87          |
| Below Knee Closed Toe Petite | I, II, III, IV, V, VI, VII | 29.87          |
| <b>Class 2(23-32mmHg)</b>    |                            |                |
| Below Knee Closed Toe        | I, II, III, IV, V, VI, VII | 30.21          |
| Below Knee Closed Toe Petite | I, II, III, IV, V, VI, VII | 30.21          |

**Mediven Harmony**

| Style   | Length         | Sizes    | Price per piece        |
|---|----------------|----------|------------------------|
| <b>Class 1(15-21mmHg)</b>                       |                |          |                        |
| Armsleeve                                       | Regular        | I - VIII | 15.82                  |
| Armsleeve Extra Wide                            | Regular        | I - VIII | 15.82                  |
| Armsleeve with Grip Top                         | Short, Regular | I - VIII | 21.09                  |
| Armsleeve with Grip Top Extra Wide              | Short, Regular | I - VIII | 21.09                  |
| Armsleeve with Shoulder Cap                     | Regular        | I - VIII | 20.69                  |
| Armsleeve with Shoulder Cap Extra Wide          | Regular        | I - VIII | 20.69                  |
| Combined Armsleeve                              | Regular        | I - VIII | 28.70                  |
| Combined Armsleeve Extra Wide                   | Regular        | I - VIII | 28.70                  |
| Combined Armsleeve with Grip Top                | Short, Regular | I - VIII | 33.98                  |
| Combined Armsleeve with Grip Top Extra Wide     | Short, Regular | I - VIII | 33.98                  |
| Combined Armsleeve with Shoulder Cap            | Regular        | I - VIII | 32.68                  |
| Combined Armsleeve with Shoulder Cap Extra Wide | Regular        | I - VIII | 32.68                  |
| Glove   |                | II - VII | 44.30                  |
| <b>Class 2(23-32mmHg)</b>                       |                |          |                        |
|   |                |          | <b>Price per piece</b> |
| Armsleeve                                       | Regular        | I - VIII | 16.99                  |
| Armsleeve Extra Wide                            | Regular        | I - VIII | 16.99                  |
| Armsleeve with Grip Top                         | Short, Regular | I - VIII | 22.26                  |
| Armsleeve with Grip Top Extra Wide              | Short, Regular | I - VIII | 22.26                  |
| Armsleeve with Shoulder Cap                     | Regular        | I - VIII | 22.53                  |
| Armsleeve with Shoulder Cap Extra Wide          | Regular        | I - VIII | 22.53                  |
| Combined Armsleeve                              | Regular        | I - VIII | 29.88                  |
| Combined Armsleeve Extra Wide                   | Regular        | I - VIII | 29.88                  |
| Combined Armsleeve with Grip Top                | Short, Regular | I - VIII | 35.15                  |
| Combined Armsleeve with Grip Top Extra Wide     | Short, Regular | I - VIII | 35.15                  |
| Combined Armsleeve with Shoulder Cap            | Regular        | I - VIII | 33.82                  |
| Combined Armsleeve with Shoulder Cap Extra Wide | Regular        | I - VIII | 33.82                  |
| Glove   |                | II - VII | 46.64                  |

**Mediven Mondri MTM**

| Style  | Code   | Price per piece |
|--|--------|-----------------|
| <b>Class 1 (18-21mmHg)</b>   |        |                 |
| Below Knee   | DTMK1  | 35.71           |
| One Legged Panty   | DTMOP1 | 121.17          |
| Thigh Length   | DTMT1  | 41.58           |
| Thigh Length with Waist Attachment   | DTMW1  | 58.66           |
| <b>Class 2 (23-32mmHg)</b>   |        |                 |
| Below Knee   | DTMK2  | 37.40           |
| One Legged Panty   | DTMOP2 | 131.80          |
| Tights   | DTMTG2 | 170.81          |
| Thigh Length   | DTMT2  | 45.92           |
| Thigh Length with Waist Attachment   | DTMW2  | 63.05           |
| <b>Class 3 (34-46mmHg)</b>   |        |                 |
| Below Knee   | DTMK3  | 41.91           |
| One Legged Panty   | DTMOP3 | 142.42          |
| Tights   | DTMTG3 | 181.57          |
| Thigh Length   | DTMT3  | 51.65           |
| Thigh Length with Waist Attachment   | DTMW3  | 64.69           |
| <i>NB: The above garments are available with optional extras, These are priced seperately. See Below</i> |        |                 |
| Closed Toe   | DTTOE  | 1.10            |
| Silicone Topband   | DTTB   | 8.32            |
| 'Y' Knitting Mark  | DTYKM  | 10.13           |
| Zip  | DTZIP  | 23.06           |

**Mediven Plus**

| Style  | Sizes                      |                       |
|--|----------------------------|-----------------------|
| <b>Class 1(18-21mmHg)</b>                            |                            | <b>Price per pair</b> |
| Below Knee Open Toe                                  | I, II, III, IV, V, VI, VII | 30.31                 |
| Below Knee Open Toe Petite                           | I, II, III, IV, V, VI, VII | 30.31                 |
| Below Knee Open Toe Extra Wide                       | I, II, III, IV, V, VI, VII | 34.59                 |
| Below Knee Open Toe Petite Extra Wide                | I, II, III, IV, V, VI, VII | 34.59                 |
| Thigh Length Petite Silicone Top Open Toe            | I, II, III, IV, V, VI, VII | 54.32                 |
| Thigh Length Silicone Top Open Toe                   | I, II, III, IV, V, VI, VII | 58.24                 |
| Thigh Length Extra Wide Open Toe Silicone Top        | I, II, III, IV, V, VI, VII | 58.03                 |
| Thigh Length Extra Wide Petite Open Toe Silicone Top | I, II, III, IV, V, VI, VII | 54.12                 |
|  |                            | <b>Price each</b>     |
| Thigh Length Waist Attachment Right Open Toe         | I, II, III, IV, V, VI, VII | 30.43                 |
| Thigh Length Petite Waist Attachment Right Open Toe  | I, II, III, IV, V, VI, VII | 30.43                 |
| Thigh Length Waist Attachment Left Open Toe          | I, II, III, IV, V, VI, VII | 30.43                 |
| Thigh Length Petite Waist Attachment Left Open Toe   | I, II, III, IV, V, VI, VII | 30.43                 |
| <b>Class 2(23-32mmHg)</b>                            |                            | <b>Price per pair</b> |
| Below Knee Open Toe                                  | I, II, III, IV, V, VI, VII | 30.31                 |
| Below Knee Open Toe Petite                           | I, II, III, IV, V, VI, VII | 30.31                 |
| Below Knee Open Toe Extra Wide                       | I, II, III, IV, V, VI, VII | 34.59                 |
| Below Knee Open Toe Petite Extra Wide                | I, II, III, IV, V, VI, VII | 34.59                 |
| Thigh Length Petite Silicone Top Open Toe            | I, II, III, IV, V, VI, VII | 54.32                 |
| Thigh Length Silicone Top Open Toe                   | I, II, III, IV, V, VI, VII | 58.24                 |
| Thigh Length Extra Wide Open Toe Silicone Top        | I, II, III, IV, V, VI, VII | 58.03                 |
| Thigh Length Extra Wide Petite Open Toe Silicone Top | I, II, III, IV, V, VI, VII | 54.12                 |
|  |                            | <b>Price each</b>     |
| Thigh Length Waist Attachment Right Open Toe         | I, II, III, IV, V, VI, VII | 30.43                 |
| Thigh Length Petite Waist Attachment Right Open Toe  | I, II, III, IV, V, VI, VII | 30.43                 |
| Thigh Length Waist Attachment Left Open Toe          | I, II, III, IV, V, VI, VII | 30.43                 |
| Thigh Length Petite Waist Attachment Left Open Toe   | I, II, III, IV, V, VI, VII | 30.43                 |
| <b>Class 3(34-46mmHg)</b>                            |                            | <b>Price per pair</b> |
| Below Knee Open Toe                                  | I, II, III, IV, V, VI, VII | 33.28                 |
| Below Knee Open Toe Petite                           | I, II, III, IV, V, VI, VII | 33.28                 |
| Below Knee Open Toe Extra Wide                       | I, II, III, IV, V, VI, VII | 37.80                 |
| Thigh Length Petite Silicone Top Open Toe            | I, II, III, IV, V, VI, VII | 60.62                 |
| Thigh Length Silicone Top Open Toe                   | I, II, III, IV, V, VI, VII | 60.62                 |
| Thigh Length Extra Wide Open Toe Silicone Top        | I, II, III, IV, V, VI, VII | 60.40                 |
| Thigh Length Extra Wide Petite Open Toe Silicone Top | I, II, III, IV, V, VI, VII | 60.40                 |
|  |                            | <b>Price each</b>     |
| Thigh Length Waist Attachment Right Open Toe         | I, II, III, IV, V, VI, VII | 33.49                 |
| Thigh Length Petite Waist Attachment Right Open Toe  | I, II, III, IV, V, VI, VII | 33.49                 |
| Thigh Length Waist Attachment Left Open Toe          | I, II, III, IV, V, VI, VII | 33.49                 |
| Thigh Length Petite Waist Attachment Left Open Toe   | I, II, III, IV, V, VI, VII | 33.49                 |



**Mediven Plus Made to Measure**

| Style  | Code   | Price per piece |
|--|--------|-----------------|
| <b>Class 1 (18-21mmHg)</b>   |        |                 |
| Below Knee   | DTPK1  | 27.79           |
| Thigh Length   | DTPT1  | 38.06           |
| Thigh Length with Waist Attachment   | DTPW1  | 55.78           |
| Tights   | DTPTG1 | 111.13          |
| One Legged Panty   | DTPOP1 | 90.83           |
| <b>Class 2 (23-32mmHg)</b>   |        |                 |
| Below Knee   | DTPK2  | 28.30           |
| Thigh Length   | DTPT2  | 39.05           |
| Thigh Length with Waist Attachment   | DTPW2  | 56.83           |
| Tights   | DTPTG2 | 113.28          |
| One Legged Panty   | DTPOP2 | 93.02           |
| <b>Class 3 (34-46mmHg)</b>   |        |                 |
| Below Knee   | DTPK3  | 29.35           |
| Thigh Length   | DTPT3  | 40.10           |
| Thigh Length with Waist Attachment   | DTPW3  | 58.92           |
| Tights   | DTPTG3 | 115.34          |
| One Legged Panty   | DTPOP3 | 94.50           |
| <i>NB. The above garments are available with optional extras. These are priced separately. See below</i> |        |                 |
| Silicone Topband   | DTTB   | 8.26            |
| Soft Abdominal Panel   | DTSAP  | 19.56           |
| Fly for men  | DTFly  | 10.49           |

**Mobiderm Autofit**

| Style                                 | Lengths                        | Sizes            | Price per piece |
|---------------------------------------|--------------------------------|------------------|-----------------|
| Armsleeve with Gauntlet (Right, Left) | Normal, Long                   | 1, 2, 3, 4, 5, 6 | 188.03          |
| Below Knee                            | Short, Normal, Long, Xtra Long | 1, 2, 3, 4       | 168.00          |
| Thigh High                            | Short, Normal, Long, Xtra Long | 1, 2, 3, 4       | 299.00          |

**ReadyWrap**

| Style                | Lengths              | Sizes            | Price per piece       |
|----------------------|----------------------|------------------|-----------------------|
| Armsleeve            | Short, Average, Tall | S, M, L, XL      | 173.93                |
| Calf                 | 30cm, 35cm           | S, M, L, XL, XXL | 88.53                 |
| Gauntlet             |                      | S, M, L, XL      | 29.16                 |
| Extender Strap       |                      |                  | 18.45                 |
| Foot (Left or Right) |                      | S, M, L, XL      | 36.91                 |
| Toe (Left or Right)  |                      | S, M, L, XL, XXL | 54.97                 |
| Knee                 |                      | S, M, L, XL, XXL | 46.87                 |
| Thigh                | 25cm, 30cm           | S, M, L, XL, XXL | 98.94                 |
|                      |                      |                  | <b>Price per pair</b> |
| Liner Below Knee     |                      | S/M/L, XL/XXL    | 15.53 <b>NEW</b>      |
| Liner Thigh High     |                      | S/M/L, XL/XXL    | 16.47 <b>NEW</b>      |

**Sankom Patent**

| Style                      | Lengths | Sizes              | Price per pair |
|----------------------------|---------|--------------------|----------------|
| <b>Class 1 (15-20mmHg)</b> |         |                    |                |
| Tights                     |         | XS, S-M, L-XL, XXL | 53.00          |
| <b>Class 1 (18-21mmHg)</b> |         |                    |                |
| Capris                     |         | XS, S-M, L-XL, XXL | 50.00          |
| Knee High Closed Toe       | Regular | 1, 2, 3            | 26.00          |
| Knee High Closed Toe Plus  | Regular | 1, 2, 3            | 26.00          |
| Leggings                   |         | XS, S-M, L-XL, XXL | 50.00          |
| Shorts                     |         | XS, S-M, L-XL, XXL | 48.00          |
| <b>Class 2 (20-25mmHg)</b> |         |                    |                |
| Tights                     |         | XS, S-M, L-XL, XXL | 53.00          |

**Sigvaris Active Masculine**

| Style                      | Lengths      | Sizes    | Price per pair |
|----------------------------|--------------|----------|----------------|
| <b>Class 2 (23-32mmHg)</b> |              |          |                |
| Below Knee Closed Toe      | Normal, Long | XXS - XL | 28.26          |
| Below Knee Closed Toe Plus | Normal, Long | XXS - XL | 28.26          |

**Sigvaris Active Work Wear Sock**

| Style                        | Lengths      | Sizes           | Price per pair |
|------------------------------|--------------|-----------------|----------------|
| <b>(15-20mmHg)</b>           |              |                 |                |
| Below Knee Closed Toe Male   | Long, Normal | S, M, L, XL     | 27.70          |
| Below Knee Closed Toe Female | Long, Normal | XS, S, M, L, XL | 27.70          |

**Sigvaris Advance**

| Arm Sleeves                             | Lengths      | Sizes       | Price per piece |
|---|--------------|-------------|-----------------|
| <b>Advance 1</b>                        |              |             |                 |
| <b>Low Compression (14-18mmHg)</b>      |              |             |                 |
| With Grip Top/no Hand piece             | Long, Normal | XS,S,M,L,XL | 18.74           |
| With Hand piece and Grip Top            | Long, Normal | XS,S,M,L,XL | 29.17           |
| With Hand piece and Grip Top Plus Size  | Long, Normal | XS,S,M,L,XL | 29.17           |
| With Hand piece without Grip Top        | Long, Normal | XS,S,M,L,XL | 29.17           |
| Without Hand piece + Grip Top Plus Size | Long, Normal | XS,S,M,L,XL | 18.74           |
| Without Hand piece without Grip Top     | Long, Normal | XS,S,M,L,XL | 18.74           |
| <b>Advance 2</b>                        |              |             |                 |
| <b>Medium Compression (20-25mmHg)</b>   |              |             |                 |
| With Grip Top/no Hand piece             | Long, Normal | XS,S,M,L,XL | 18.74           |
| With Hand piece and Grip Top            | Long, Normal | XS,S,M,L,XL | 29.17           |
| With Hand piece and Grip Top Plus Size  | Long, Normal | XS,S,M,L,XL | 29.17           |
| With Hand piece without Grip Top        | Long, Normal | XS,S,M,L,XL | 29.17           |
| Without Hand piece + Grip Top Plus Size | Long, Normal | XS,S,M,L,XL | 18.74           |
| Without Hand piece without Grip Top     | Long, Normal | XS,S,M,L,XL | 18.74           |
| <b>Advance 3</b>                        |              |             |                 |
| <b>High Compression (30-40mmHg)</b>     |              |             |                 |
| With Grip Top/no Hand piece             | Long, Normal | S,M,L,XL    | 18.74           |
| With Grip Top/no Hand piece Plus Size   | Long, Normal | S,M,L,XL    | 18.74           |
| With Hand piece and Grip Top            | Long, Normal | S,M,L,XL    | 29.17           |
| With Hand piece and Grip Top Plus Size  | Long, Normal | S,M,L,XL    | 29.17           |

**Sigvaris Basic Liner**

| Style | Sizes    | Price per pair |
|-------|----------|----------------|
| Calf  | one size | 8.54           |

**Sigvaris Complete Liner**

| Style              | Sizes            | Price per pair |
|--------------------|------------------|----------------|
| <b>(10-15mmHg)</b> |                  |                |
| Calf               | S, M, L, XL, XXL | 16.22          |

**Sigvaris CompreBoot**

| Style                        | Length        | Sizes          | Price per piece |
|------------------------------|---------------|----------------|-----------------|
| (30-40mmHg)<br>Standard Foot | Regular, Long | S, M/L, XL/XXL | 35.87           |

**Sigvaris CompreFit**

| Style                        | Length        | Sizes            | Price per piece |
|------------------------------|---------------|------------------|-----------------|
| Extender Strap               |               |                  | 7.69            |
| (30-40mmHg)<br>Standard Calf | Regular, Tall | S, M, L, XL, XXL | 92.23           |
| Standard Thigh               |               | S, M, L, XL      | 92.23           |

**Sigvaris CompreFLEX**

| Style                          | Length        | Sizes            | Price per piece |
|--------------------------------|---------------|------------------|-----------------|
| Extender Strap                 |               |                  | 7.69            |
| (20-50mmHg)<br>Standard Calf   | Regular, Tall | S, M, L, XL, XXL | 112.72          |
| Standard Thigh (Left or Right) | Regular, Tall | S, M, L, XL      | 112.72          |

**Sigvaris CompreFLEX Complete**

| Style               | Length        | Sizes            | Price per piece |
|---------------------|---------------|------------------|-----------------|
| (20-50mmHg)<br>Calf | Regular, Tall | S, M, L, XL, XXL | 111.51          |

**Sigvaris CompreFLEX Transition**

| Style               | Length        | Sizes            | Price per piece |
|---------------------|---------------|------------------|-----------------|
| (20-50mmHg)<br>Calf | Regular, Tall | S, M, L, XL, XXL | 111.51          |

**Sigvaris CompreKnee**

| Style                        | Sizes      | Price per piece |
|------------------------------|------------|-----------------|
| (30-40mmHg)<br>Standard Knee | S, M, L/XL | 30.74           |

**Sigvaris Cotton Liner**

| Style      | Sizes     | Price per pair |
|------------|-----------|----------------|
| Calf       | one size  | 8.54           |
| Thigh High | S/M/L, XL | 8.54           |

**Sigvaris Essential Comfortable**

| Style  | Length              | Sizes  |                        |
|--|---------------------|--------|------------------------|
| <b>Class 1 (18-21mmHg)</b>                                       |                     |        | <b>Price per pair</b>  |
| Below Knee Open Toe  | Normal, Long        | XXS-XL | 28.26                  |
| Below Knee Open Toe Plus   | Normal, Long        | XXS-XL | 28.26                  |
| Below Knee Closed Toe  | Normal, Long        | XXS-XL | 28.26                  |
| Below Knee Closed Toe Plus                                       | Normal, Long        | XXS-XL | 28.26                  |
| Thigh High Open Toe  | Short, Normal, Long | XXS-XL | 54.29                  |
| Thigh High Open Toe Plus   | Short, Normal, Long | XXS-XL | 54.29                  |
| Thigh High Closed Toe  | Short, Normal, Long | XXS-XL | 54.29                  |
| Thigh High Closed Toe Plus                                       | Short, Normal, Long | XXS-XL | 54.29                  |
| Thigh High Open Toe with Grip Top                                | Short, Normal, Long | XXS-XL | 54.29                  |
| Thigh High Plus Open Toe with Grip Top                           | Short, Normal, Long | XXS-XL | 54.29                  |
| Thigh High Closed Toe with Grip Top                              | Short, Normal, Long | XXS-XL | 54.29                  |
| Thigh High Closed Toe with Grip Top Plus                         | Short, Normal, Long | XXS-XL | 54.29                  |
| Panty Open Toe   | Normal, Long        | XXS-XL | 54.29                  |
| Panty Open Toe Plus  | Normal, Long        | XXS-XL | 54.29                  |
| Panty Closed Toe   | Normal, Long        | XXS-XL | 54.29                  |
| Panty Closed Toe Plus  | Normal, Long        | XXS-XL | 54.29                  |
| Panty Extra Open Toe   | Normal, Long        | XXS-XL | 54.29                  |
| Panty Extra Open Toe Plus  | Normal, Long        | XXS-XL | 54.29                  |
| Panty Extra Closed Toe   | Normal, Long        | XXS-XL | 54.29                  |
| Panty Extra Closed Toe Plus                                      | Normal, Long        | XXS-XL | 54.29                  |
| <b>Class 2 (23-32mmHg)</b>                                       |                     |        | <b>Price per pair</b>  |
| Below Knee Open Toe  | Normal, Long        | XXS-XL | 28.26                  |
| Below Knee Open Toe Plus   | Normal, Long        | XXS-XL | 28.26                  |
| Below Knee Closed Toe  | Normal, Long        | XXS-XL | 28.26                  |
| Below Knee Closed Toe Plus                                       | Normal, Long        | XXS-XL | 28.26                  |
| Tights Bodyform Open Toe   | Normal, Long        | XXS-XL | 54.29                  |
| Tights Bodyform Open Toe Plus                                    | Normal, Long        | XXS-XL | 54.29                  |
| Tights Bodyform Closed Toe                                       | Normal, Long        | XXS-XL | 54.29                  |
| Tights Bodyform Closed Toe Plus                                  | Normal, Long        | XXS-XL | 54.29                  |
| Thigh High Open Toe  | Short, Normal, Long | XXS-XL | 54.29                  |
| Thigh High Open Toe Plus   | Short, Normal, Long | XXS-XL | 54.29                  |
| Thigh High Closed Toe  | Short, Normal, Long | XXS-XL | 54.29                  |
| Thigh High Closed Toe Plus                                       | Short, Normal, Long | XXS-XL | 54.29                  |
| Thigh High Open Toe with Grip Top                                | Short, Normal, Long | XXS-XL | 54.29                  |
| Thigh High Plus Open Toe with Grip Top                           | Short, Normal, Long | XXS-XL | 54.29                  |
| Thigh High Closed Toe with Grip Top                              | Short, Normal, Long | XXS-XL | 54.29                  |
| Thigh High Closed Toe with Grip Top Plus                         | Short, Normal, Long | XXS-XL | 54.29                  |
| Panty Open Toe   | Normal, Long        | XXS-XL | 54.29                  |
| Panty Open Toe Plus  | Normal, Long        | XXS-XL | 54.29                  |
| Panty Closed Toe   | Normal, Long        | XXS-XL | 54.29                  |
| Panty Closed Toe Plus  | Normal, Long        | XXS-XL | 54.29                  |
| Panty Extra Open Toe   | Normal, Long        | XXS-XL | 54.29                  |
| Panty Extra Open Toe Plus  | Normal, Long        | XXS-XL | 54.29                  |
| Panty Extra Closed Toe   | Normal, Long        | XXS-XL | 54.29                  |
| Panty Extra Closed Toe Plus                                      | Normal, Long        | XXS-XL | 54.29                  |
|  |                     |        | <b>Price per piece</b> |
| Thigh High Open Toe with Waist Attachment (Left or Right)        | Short, Normal, Long | XXS-XL | 32.08                  |
| Thigh High Open Toe with Waist Attachment (Left or Right) Plus   | Short, Normal, Long | XXS-XL | 32.08                  |
| Thigh High Closed Toe with Waist Attachment (Left or Right)      | Short, Normal, Long | XXS-XL | 32.08                  |
| Thigh High Closed Toe with Waist Attachment (Left or Right) Plus | Short, Normal, Long | XXS-XL | 32.08                  |

**Sigvaris Essential Coton**

| Style                               | Length       | Sizes        | Price per pair |
|-------------------------------------|--------------|--------------|----------------|
| <b>(15-20mmHg)</b>                  |              |              |                |
| Below Knee Closed Toe Male          | Long, Normal | S,M,L,XL,XXL | 28.39          |
| Below Knee Open Toe Male            | Long, Normal | S,M,L,XL,XXL | 28.39          |
| Thigh High Grip Top Closed Toe Male | Long, Normal | S,M,L,XL,XXL | 54.54          |
| Thigh High Grip Top Open Toe Male   | Long, Normal | S,M,L,XL,XXL | 54.54          |
| <b>(20-36mmHg)</b>                  |              |              |                |
| Below Knee Closed Toe Male          | Long, Normal | S,M,L,XL,XXL | 28.39          |
| Thigh High Grip Top Closed Toe Male | Long, Normal | S,M,L,XL,XXL | 54.54          |

**Sigvaris Essential Microfibre**

| Style                                    | Length       | Sizes                | Price per pair |
|--|--------------|----------------------|----------------|
| <b>(15-20mmHg)</b>                       |              |                      |                |
| Below Knee Closed Toe Male               | Long, Normal | XS, S, M, L, XL, XXL | 28.38          |
| Below Knee Closed Toe Male Plus          | Long, Normal | S, M, L, XL, XXL     | 28.38          |
| Below Knee Closed Toe Male Slim          | Long, Normal | XS, S, M, L, XL      | 28.38          |
| Thigh High Grip Top Closed Toe Male      | Long, Normal | S, M, L, XL, XXL     | 54.55          |
| Thigh High Grip Top Closed Toe Male Slim | Long, Normal | S, M, L, XL          | 54.55          |

**Sigvaris Essential Semitransparent**

| Style                                      | Lengths      | Sizes                | Price per pair |
|--|--------------|----------------------|----------------|
| <b>(10-15mmHg)</b>                         |              |                      |                |
| Below Knee Closed Toe Female               | Normal, Long | S, M, L, XL          | 27.90          |
| Thigh High Grip Top Closed Toe Female      | Normal, Long | S, M, L, XL          | 53.60          |
| Panty Closed Toe Female                    | Normal, Long | S, M, L, XL          | 53.60          |
| <b>(15-20mmHg)</b>                         |              |                      |                |
| Below Knee Closed Toe Female               | Normal, Long | XS, S, M, L, XL, XXL | 27.90          |
| Below Knee Closed Toe Female Plus          | Normal, Long | S, M, L, XL, XXL     | 27.90          |
| Below Knee Closed Toe Female Slim          | Normal, Long | S, M, L, XL          | 27.90          |
| Thigh High Grip Top Closed Toe Female      | Normal, Long | XS, S, M, L, XL, XXL | 53.60          |
| Thigh High Grip Top Closed Toe Female Plus | Normal, Long | S, M, L, XL, XXL     | 53.60          |
| Thigh High Grip Top Closed Toe Female Slim | Normal, Long | S, M, L, XL          | 53.60          |
| Panty Closed Toe Female Plus               | Normal, Long | S, M, L, XL, XXL     | 53.60          |
| Panty Closed Toe Female                    | Normal, Long | S, M, L, XL, XXL     | 53.60          |
| <b>(20-36mmHg)</b>                         |              |                      |                |
| Below Knee Closed Toe Female               | Normal, Long | XS, S, M, L, XL, XXL | 27.90          |
| Below Knee Closed Toe Female Plus          | Normal, Long | S, M, L, XL          | 27.90          |
| Below Knee Closed Toe Female Slim          | Normal, Long | S, M, L, XL          | 27.90          |
| Thigh High Grip Top Closed Toe Female      | Normal, Long | XS, S, M, L, XL, XXL | 53.60          |
| Thigh High Grip Top Closed Toe Female Plus | Normal, Long | S, M, L, XL          | 53.60          |
| Thigh High Grip Top Closed Toe Female Slim | Normal, Long | S, M, L, XL          | 53.60          |
| Panty Closed Toe Female                    | Normal, Long | S, M, L, XL          | 53.60          |

**Sigvaris Essential Thermoregulating**

| Style  | Length            | Sizes  |                        |
|--|-------------------|--------|------------------------|
| <b>Class 1 (18-21mmHg)</b>                                       |                   |        | <b>Price per pair</b>  |
| Below Knee Open Toe  | Normal, Long      | XXS-XL | 28.38                  |
| Below Knee Open Toe Plus   | Normal, Long      | XXS-XL | 28.38                  |
| Below Knee Closed Toe  | Normal, Long      | XXS-XL | 28.38                  |
| Below Knee Closed Toe Plus                                       | Normal, Long      | XXS-XL | 28.38                  |
| Below Knee Maxi Closed Toe                                       | Normal, Long      | XS-XL  | 28.38                  |
| Below Knee Maxi Closed Toe Plus                                  | Normal, Long      | XS-XL  | 28.38                  |
| Thigh High Open Toe  | Short,Normal,Long | XXS-XL | 54.53                  |
| Thigh High Open Toe Plus   | Short,Normal,Long | XXS-XL | 54.53                  |
| Thigh High Closed Toe  | Short,Normal,Long | XXS-XL | 54.53                  |
| Thigh High Closed Toe Plus                                       | Short,Normal,Long | XXS-XL | 54.53                  |
| Thigh High Open Toe with Grip Top                                | Short,Normal,Long | XXS-XL | 54.53                  |
| Thigh High Open Toe with Grip Top Plus                           | Short,Normal,Long | XXS-XL | 54.53                  |
| Thigh High Closed Toe with Grip Top                              | Short,Normal,Long | XXS-XL | 54.53                  |
| Thigh High Closed Toe with Grip Top Plus                         | Short,Normal,Long | XXS-XL | 54.53                  |
| Thigh High Open Toe with Sensinnov Grip Top                      | Short,Normal,Long | XXS-XL | 54.53                  |
| Thigh High Open Toe with Sensinnov Grip Top Plus                 | Short,Normal,Long | XXS-XL | 54.53                  |
| Thigh High Closed Toe with Sensinnov Grip Top                    | Short,Normal,Long | XXS-XL | 54.53                  |
| Thigh High Closed Toe with Sensinnov Grip Top Plus               | Short,Normal,Long | XXS-XL | 54.53                  |
| Panty Open Toe   | Normal, Long      | XXS-XL | 54.53                  |
| Panty Open Toe Plus  | Normal, Long      | XXS-XL | 54.53                  |
| Panty Closed Toe   | Normal, Long      | XXS-XL | 54.53                  |
| Panty Closed Toe Plus  | Normal, Long      | XXS-XL | 54.53                  |
|  |                   |        | <b>Price per piece</b> |
| Thigh High Open Toe with Waist Attachment (Left or Right)        | Short,Normal,Long | XXS-XL | 32.22                  |
| Thigh High Open Toe with Waist Attachment (Left or Right) Plus   | Short,Normal,Long | XXS-XL | 32.22                  |
| Thigh High Closed Toe with Waist Attachment (Left or Right)      | Short,Normal,Long | XXS-XL | 32.22                  |
| Thigh High Closed Toe with Waist Attachment (Left or Right) Plus | Short,Normal,Long | XXS-XL | 32.22                  |
| <b>Class 2 (23-32mmHg)</b>                                       |                   |        | <b>Price per pair</b>  |
| Below Knee Open Toe  | Short,Normal,Long | XXS-XL | 28.38                  |
| Below Knee Open Toe Plus   | Short,Normal,Long | XXS-XL | 28.38                  |
| Below Knee Closed Toe  | Short,Normal,Long | XXS-XL | 28.38                  |
| Below Knee Closed Toe Plus                                       | Short,Normal,Long | XXS-XL | 28.38                  |
| Below Knee Maxi Closed Toe                                       | Normal, Long      | XS-XL  | 28.38                  |
| Below Knee Maxi Closed Toe Plus                                  | Normal, Long      | XS-XL  | 28.38                  |
| Below Knee Open Toe with Grip Top                                | Normal, Long      | XXS-XL | 28.38                  |
| Below Knee Open Toe Plus with Grip Top                           | Normal, Long      | XXS-XL | 28.38                  |
| Below Knee Closed Toe with Grip Top                              | Normal, Long      | XXS-XL | 28.38                  |
| Below Knee Closed Toe Plus with Grip Top                         | Normal, Long      | XXS-XL | 28.38                  |
| Thigh High Open Toe  | Short,Normal,Long | XXS-XL | 54.53                  |
| Thigh High Open Toe Plus   | Short,Normal,Long | XXS-XL | 54.53                  |
| Thigh High Closed Toe  | Short,Normal,Long | XXS-XL | 54.53                  |
| Thigh High Closed Toe Plus                                       | Short,Normal,Long | XXS-XL | 54.53                  |
| Thigh High Open Toe with Grip Top                                | Short,Normal,Long | XXS-XL | 54.53                  |
| Thigh High Open Toe with Grip Top Plus                           | Short,Normal,Long | XXS-XL | 54.53                  |
| Thigh High Closed Toe with Grip Top                              | Short,Normal,Long | XXS-XL | 54.53                  |
| Thigh High Closed Toe with Grip Top Plus                         | Short,Normal,Long | XXS-XL | 54.53                  |
| Thigh High Open Toe with Sensinnov Grip Top                      | Short,Normal,Long | XXS-XL | 54.53                  |
| Thigh High Open Toe with Sensinnov Grip Top Plus                 | Short,Normal,Long | XXS-XL | 54.53                  |
| Thigh High Closed Toe with Sensinnov Grip Top                    | Short,Normal,Long | XXS-XL | 54.53                  |
| Thigh High Closed Toe with Sensinnov Grip Top Plus               | Short,Normal,Long | XXS-XL | 54.53                  |
| Panty Open Toe   | Short,Normal,Long | XXS-XL | 54.53                  |
| Panty Open Toe Plus  | Short,Normal,Long | XXS-XL | 54.53                  |
| Panty Closed Toe   | Short,Normal,Long | XXS-XL | 54.53                  |
| Panty Closed Toe Plus  | Short,Normal,Long | XXS-XL | 54.53                  |

**Sigvaris Essential Thermoregulating** cont.

|   |                   |        | <b>Price per piece</b> |
|---|-------------------|--------|------------------------|
| Thigh High Open Toe with Waist Attachment (Left or Right)           | Short,Normal,Long | XXS-XL | 32.22                  |
| Thigh High Open Toe with Waist Attachment (Left or Right)<br>Plus   | Short,Normal,Long | XXS-XL | 32.22                  |
| Thigh High Closed Toe with Waist Attachment (Left or Right)         | Short,Normal,Long | XXS-XL | 32.22                  |
| Thigh High Closed Toe with Waist Attachment (Left or Right)<br>Plus | Short,Normal,Long | XXS-XL | 32.22                  |
| <b>Class 3 (34-46mmHg)</b>  |                   |        | <b>Price per pair</b>  |
| Below Knee Open Toe   | Normal, Long      | XXS-XL | 28.38                  |
| Below Knee Open Toe Plus  | Normal, Long      | XXS-XL | 28.38                  |
| Below Knee Closed Toe   | Normal, Long      | XXS-XL | 28.38                  |
| Below Knee Closed Toe Plus  | Normal, Long      | XXS-XL | 28.38                  |
| Below Knee Maxi Closed Toe  | Normal, Long      | XS-L   | 28.38                  |
| Below Knee Maxi Closed Toe Plus                                     | Normal, Long      | XS-L   | 28.38                  |
| Thigh High Open Toe with Grip Top                                   | Short,Normal,Long | XXS-XL | 54.53                  |
| Thigh High Open Toe with Grip Top Plus                              | Short,Normal,Long | XXS-XL | 54.53                  |
| Thigh High Closed Toe with Grip Top                                 | Short,Normal,Long | XXS-XL | 54.53                  |
| Thigh High Closed Toe with Grip Top Plus                            | Short,Normal,Long | XXS-XL | 54.53                  |
| Panty Open Toe  | Short,Normal,Long | XXS-XL | 54.53                  |
| Panty Open Toe Plus   | Short,Normal,Long | XXS-XL | 54.53                  |
| Panty Closed Toe  | Short,Normal,Long | XXS-XL | 54.53                  |
| Panty Closed Toe Plus   | Short,Normal,Long | XXS-XL | 54.53                  |
|   |                   |        | <b>Price per piece</b> |
| Thigh High Open Toe with Waist Attachment (Left or Right)           | Short,Normal,Long | XXS-XL | 32.22                  |
| Thigh High Open Toe with Waist Attachment (Left or Right)<br>Plus   | Short,Normal,Long | XXS-XL | 32.22                  |
| Thigh High Closed Toe with Waist Attachment (Left or Right)         | Short,Normal,Long | XXS-XL | 32.22                  |
| Thigh High Closed Toe with Waist Attachment (Left or Right)<br>Plus | Short,Normal,Long | XXS-XL | 32.22                  |

**Sigvaris Initial**

| Style                      | Lengths      | Sizes            |                       |
|----------------------------|--------------|------------------|-----------------------|
| <b>(10-15mmHg)</b>         |              |                  | <b>Price per pair</b> |
| Below Knee Closed Toe Male | Normal, Long | S, M, L, XL, XXL | 28.38                 |

**Sigvaris Lymphoedema Glove**

| Style  | Length   | Sizes   |                        |
|--|----------|---------|------------------------|
| <b>Class 1 ( 18-21mmHg )</b>                   |          |         | <b>Price per piece</b> |
| Glove (Left or Right) with compressive fingers | Standard | S, M, L | 32.74                  |

**Sigvaris MTM Essential Comfortable**

| Style   | Price per piece |
|---|-----------------|
| <b>Class 1 (18-21mmHg)</b>                                  |                 |
| Below Knee Open Toe   | 34.00           |
| Below Knee Closed Toe                                       | 34.00           |
| Below Knee Open Toe with Grip Top                           | 41.44           |
| Below Knee Closed Toe with Grip Top                         | 41.44           |
| Thigh High Open Toe   | 39.79           |
| Thigh High Closed Toe                                       | 39.79           |
| Thigh High Open Toe with Grip Top                           | 46.75           |
| Thigh High Closed Toe with Grip Top                         | 46.75           |
| One-legged Panty Open Toe                                   | 124.98          |
| One-legged Panty Closed Toe                                 | 124.98          |
| Panty Bodyform Open Toe                                     | 148.74          |
| Panty Bodyform Closed Toe                                   | 148.74          |
| Panty Open Toe  | 148.74          |
| Panty Closed Toe  | 148.74          |
| Thigh High Open Toe with Waist Attachment (Left or Right)   | 56.31           |
| Thigh High Closed Toe with Waist Attachment (Left or Right) | 56.31           |
| <b>Class 2 (23-32mmHg)</b>                                  |                 |
| <b>Price per piece</b>                                      |                 |
| Below Knee Open Toe   | 35.06           |
| Below Knee Closed Toe                                       | 35.06           |
| Below Knee Open Toe with Grip Top                           | 42.50           |
| Below Knee Closed Toe with Grip Top                         | 42.50           |
| Thigh High Open Toe   | 43.51           |
| Thigh High Closed Toe                                       | 43.51           |
| Thigh High Open Toe with Grip Top                           | 50.47           |
| Thigh High Closed Toe with Grip Top                         | 50.47           |
| One-legged Panty Open Toe                                   | 124.98          |
| One-legged Panty Closed Toe                                 | 124.98          |
| Panty Bodyform Open Toe                                     | 160.43          |
| Panty Bodyform Closed Toe                                   | 160.43          |
| Panty Open Toe  | 160.43          |
| Panty Closed Toe  | 160.43          |
| Thigh High Open Toe with Waist Attachment (Left or Right)   | 61.09           |
| Thigh High Closed Toe with Waist Attachment (Left or Right) | 61.09           |



**Sigvaris MTM Essential Thermoregulating**

| Style   | Price per piece |
|---|-----------------|
| <b>Class 1 (18-21mmHg)</b>                                  |                 |
| Below Knee Open Toe   | 34.00           |
| Below Knee Closed Toe                                       | 34.00           |
| Below Knee Open Toe with Grip Top                           | 41.44           |
| Below Knee Closed Toe with Grip Top                         | 41.44           |
| Thigh High Open   | 46.69           |
| Thigh High Closed   | 46.69           |
| Thigh High Open Toe with Grip Top                           | 46.75           |
| Thigh High Closed Toe with Grip Top                         | 46.75           |
| One-legged Panty Open Toe                                   | 124.98          |
| One-legged Panty Closed Toe                                 | 124.98          |
| Panty Open Toe  | 148.74          |
| Panty Closed Toe  | 148.74          |
| Thigh High Open Toe with Waist Attachment (Left or Right)   | 56.31           |
| Thigh High Closed Toe with Waist Attachment (Left or Right) | 56.31           |
| <b>Class 2 (23-32mmHg)</b>                                  |                 |
| Below Knee Open Toe   | 35.06           |
| Below Knee Closed Toe                                       | 35.06           |
| Below Knee Open Toe with Grip Top                           | 41.44           |
| Below Knee Closed Toe with Grip Top                         | 41.44           |
| Thigh High Open   | 50.61           |
| Thigh High Closed   | 50.61           |
| Thigh High Open Toe with Grip Top                           | 50.68           |
| Thigh High Closed Toe with Grip Top                         | 50.68           |
| One-legged Panty Open Toe                                   | 124.98          |
| One-legged Panty Closed Toe                                 | 124.98          |
| Panty Open Toe  | 160.43          |
| Panty Closed Toe  | 160.43          |
| Thigh High Open Toe with Waist Attachment (Left or Right)   | 61.09           |
| Thigh High Closed Toe with Waist Attachment (Left or Right) | 61.09           |
| <b>Class 3 (34-46mmHg)</b>                                  |                 |
| Below Knee Open Toe   | 35.06           |
| Below Knee Closed Toe                                       | 35.06           |
| Below Knee Open Toe with Grip Top                           | 42.50           |
| Below Knee Closed Toe with Grip Top                         | 42.50           |
| Thigh High Open   | 50.61           |
| Thigh High Closed   | 50.61           |
| Thigh High Open Toe with Grip Top                           | 50.68           |
| Thigh High Closed Toe with Grip Top                         | 50.68           |
| One-legged Panty Open Toe                                   | 124.98          |
| One-legged Panty Closed Toe                                 | 124.98          |
| Panty Open Toe  | 160.43          |
| Panty Closed Toe  | 160.43          |
| Thigh High Open Toe with Waist Attachment (Left or Right)   | 61.09           |
| Thigh High Closed Toe with Waist Attachment (Left or Right) | 61.09           |

**Sigvaris MTM Optiform Flex**

| Style  | Codes  | Price per piece |
|--|--------|-----------------|
| <b>Class 1 (18-21mmHg)</b>   |        |                 |
| Below Knee Open Toe  | OFC1   | 35.64           |
| Below Knee Closed Toe  | OFC1   | 35.64           |
| Thigh High Open Toe  | OFT1   | 42.36           |
| Thigh High Closed Toe  | OFT1   | 42.36           |
| Thigh High Open Toe with Waist Attachment (Left or Right)  | OFW1   | 59.92           |
| Thigh High Closed Toe with Waist Attachment (Left or Right)  | OFW1   | 59.92           |
| Ankle Sock closed toe  | OFAS1  | 28.38           |
| Ankle Sock open toe  | OFAS1  | 28.38           |
| Below Knee Sleeve  | OFBKS1 | 28.38           |
| Body Bandage   | OFB1   | 70.25           |
| Capri Length   | OFCL1  | 120.88          |
| Leggings   | OFL1   | 134.31          |
| Shorts   | OFS1   | 97.12           |
| Thigh Sleeve   | OFTS1  | 33.45           |
| <b>Class 2 (23-32mmHg)</b>   |        |                 |
| Below Knee Open Toe  | OFC2   | 37.71           |
| Below Knee Closed Toe  | OFC2   | 37.71           |
| Thigh High Open Toe  | OFT2   | 46.49           |
| Thigh High Closed Toe  | OFT2   | 46.49           |
| Thigh High Open Toe with Waist Attachment (Left or Right)  | OFW2   | 63.02           |
| Thigh High Closed Toe with Waist Attachment (Left or Right)  | OFW2   | 63.02           |
| Ankle Sock closed toe  | OFAS2  | 29.90           |
| Ankle Sock open toe  | OFAS2  | 29.90           |
| Below Knee Sleeve  | OFBKS2 | 31.42           |
| Body Bandage   | OFB2   | 75.42           |
| Capri Length   | OFCL2  | 121.91          |
| Leggings   | OFL2   | 136.38          |
| Shorts   | OFS2   | 98.15           |
| Thigh Sleeve   | OFTS2  | 36.49           |
| <i>NB: The above garments are available with optional extras. These are priced separately. See below</i> |        |                 |
| Silicone band/strips   | OA1S   | 6.20            |
| Knee functional zone   | OA1K   | 6.20            |
| Adjustable waistband   | OA2AW  | 10.33           |
| Ankle Pad - 1 piece  | OA2AP  | 10.33           |
| Liner pocket   | OA2SP  | 10.33           |
| Fly Opening  | OA2FO  | 10.33           |
| Reinforced gusset  | OA2RG  | 10.33           |
| Zip with lining  | OA3Z   | 22.21           |
| Quad Plus  | OA1Q   | 6.08            |

**Sigvaris MTM Optiform Hold**

| Style  | Codes  | Price per piece |
|--|--------|-----------------|
| <b>Class 1 (18-21mmHg)</b>   |        |                 |
| Below Knee Open Toe  | OHC1   | 35.64           |
| Below Knee Closed Toe  | OHC1   | 35.64           |
| Thigh High Open Toe  | OHT1   | 42.36           |
| Thigh High Closed Toe  | OHT1   | 42.36           |
| Thigh High Open Toe with Waist Attachment (Left or Right)  | OHW1   | 59.92           |
| Thigh High Closed Toe with Waist Attachment (Left or Right)  | OHW1   | 59.92           |
| Ankle Sock closed toe  | OHAS1  | 28.38           |
| Ankle Sock open toe  | OHAS1  | 28.32           |
| Below Knee Sleeve  | OHBKS1 | 28.32           |
| Body Bandage   | OHB1   | 70.25           |
| Capri Length   | OHCL1  | 120.88          |
| Leggings   | OHL1   | 134.31          |
| Shorts   | OHS1   | 97.12           |
| Thigh Sleeve   | OHTS1  | 33.45           |
| <b>Class 2 (23-32mmHg)</b>   |        |                 |
| Below Knee Open Toe  | OHC2   | 37.71           |
| Below Knee Closed Toe  | OHC2   | 37.71           |
| Thigh High Open Toe  | OHT2   | 46.49           |
| Thigh High Closed Toe  | OHT2   | 46.49           |
| Thigh High Open Toe with Waist Attachment (Left or Right)  | OHW2   | 63.02           |
| Thigh High Closed Toe with Waist Attachment (Left or Right)  | OHW2   | 63.02           |
| Ankle Sock closed toe  | OHAS2  | 29.90           |
| Ankle Sock open toe  | OHAS2  | 29.90           |
| Below Knee Sleeve  | OHBKS2 | 31.42           |
| Body Bandage   | OHB2   | 75.42           |
| Capri Length   | OHCL2  | 121.91          |
| Leggings   | OHL2   | 136.38          |
| Shorts   | OHS2   | 98.15           |
| Thigh Sleeve   | OHTS2  | 36.49           |
| <b>Class 3 (34-46mmHg)</b>   |        |                 |
| Below Knee Open Toe  | OHC3   | 40.29           |
| Below Knee Closed Toe  | OHC3   | 40.29           |
| Thigh High Open Toe  | OHT3   | 50.62           |
| Thigh High Closed Toe  | OHT3   | 50.62           |
| Thigh High Open Toe with Waist Attachment (Left or Right)  | OHW3   | 66.12           |
| Thigh High Closed Toe with Waist Attachment (Left or Right)  | OHW3   | 66.12           |
| Ankle Sock closed toe  | OHAS3  | 31.42           |
| Ankle Sock open toe  | OHAS3  | 31.42           |
| Below Knee Sleeve  | OHBKS3 | 33.45           |
| Body Bandage   | OHB3   | 80.59           |
| Capri Length   | OHCL3  | 128.11          |
| Leggings   | OHL3   | 140.51          |
| Shorts   | OHS3   | 103.32          |
| Thigh Sleeve   | OHTS3  | 39.53           |
| <i>NB: The above garments are available with optional extras. These are priced separately. See below</i> |        |                 |
| Silicone band/strips   | OA1S   | 6.20            |
| Knee functional zone   | OA1K   | 6.20            |
| Adjustable waistband   | OA2AW  | 10.33           |
| Ankle Pad - 1 piece  | OA2AP  | 10.33           |
| Liner pocket   | OA2SP  | 10.33           |
| Fly Opening  | OA2FO  | 10.33           |
| Reinforced gusset  | OA2RG  | 10.33           |
| Zip with lining  | OA3Z   | 22.21           |
| Quad Plus  | OA1Q   | 6.08            |

**Sigvaris MTM Style Semitransparent**

| Style                                      | Price per piece |
|--|-----------------|
| <b>Class 1 (18-21mmHg)</b>                 |                 |
| Below Knee Open Toe Female                 | 34.00           |
| Below Knee Closed Toe Female               | 34.00           |
| Below Knee Open Toe with Grip Top Female   | 41.44           |
| Below Knee Closed Toe with Grip Top Female | 41.44           |
| Thigh High Open Toe with Grip Top Female   | 46.75           |
| Thigh High Closed Toe with Grip Top Female | 46.75           |
| Panty Open Toe Female                      | 148.74          |
| Panty Closed Toe Female                    | 148.74          |
| <b>Class 2 (23-32mmHg)</b>                 |                 |
| Below Knee Open Toe Female                 | 35.06           |
| Below Knee Closed Toe Female               | 35.06           |
| Below Knee Open Toe with Grip Top Female   | 42.50           |
| Below Knee Closed Toe with Grip Top Female | 42.50           |
| Thigh High Open Toe with Grip Top Female   | 50.47           |
| Thigh High Closed Toe with Grip Top Female | 50.47           |
| Panty Open Toe Female                      | 160.43          |
| Panty Closed Toe Female                    | 160.43          |

**Sigvaris MTM Traditional**

| Style  | Code | Price per piece       |
|--|------|-----------------------|
| <b>(23-32mmHg)</b>   |      |                       |
| Below Knee Open Toe  | 503  | 35.06                 |
| Below Knee Closed Toe  | 503  | 35.06                 |
| Below Knee Open Toe with Grip Top  | 503  | 42.50                 |
| Below Knee Closed Toe with Grip Top  | 503  | 42.50                 |
| One-legged Panty Open Toe  | 503  | 124.98                |
| One-legged Panty Closed Toe  | 503  | 124.98                |
| One-legged Panty Open Toe Full Compression                                   | 503  | 124.98                |
| One-legged Panty Closed Toe Full Compression                                 | 503  | 124.98                |
| Thigh High Open Toe  | 503  | 43.24                 |
| Thigh High Closed Toe  | 503  | 43.24                 |
| Thigh High Open Toe Full Compression   | 503  | 43.24                 |
| Thigh High Closed Toe Full Compression                                       | 503  | 43.24                 |
| Thigh High Open Toe with Grip Top  | 503  | 50.68                 |
| Thigh High Closed Toe with Grip Top  | 503  | 50.68                 |
| Thigh High Open Toe with Grip Top Full Compression                           | 503  | 50.68                 |
| Thigh High Closed Toe with Grip Top Full Compression                         | 503  | 50.68                 |
| Thigh High Open Toe with Waist Attachment (Left or Right)                    | 503  | 61.09                 |
| Thigh High Closed Toe with Waist Attachment (Left or Right)                  | 503  | 61.09                 |
| Thigh High Open Toe with Waist Attachment Full Compression (Left or Right)   | 503  | 61.09                 |
| Thigh High Closed Toe with Waist Attachment Full Compression (Left or Right) | 503  | 61.09                 |
|  |      | <b>Price per pair</b> |
| Panty Bodyform Open Toe  | 503  | 160.43                |
| Panty Bodyform Closed Toe  | 503  | 160.43                |
| Panty Open Toe   | 503  | 160.43                |
| Panty Open Toe Full Compression  | 503  | 160.43                |
| Panty Closed Toe   | 503  | 160.43                |
| Panty Closed Toe Full Compression  | 503  | 160.43                |

**Sigvaris MTM Traditional cont****(34-46mmHg)**

|  |     | <b>Price per piece</b> |
|--|-----|------------------------|
| Below Knee Open Toe  | 504 | 35.06                  |
| Below Knee Closed Toe  | 504 | 35.06                  |
| Below Knee Open Toe with Grip Top  | 504 | 42.50                  |
| Below Knee Closed Toe with Grip Top  | 504 | 42.50                  |
| One-legged Panty Open Toe  | 504 | 124.98                 |
| One-legged Panty Closed Toe  | 504 | 124.98                 |
| One-legged Panty Open Toe Full Compression                                   | 504 | 124.98                 |
| One-legged Panty Closed Toe Full Compression                                 | 504 | 124.98                 |
| Thigh High Open Toe  | 504 | 43.24                  |
| Thigh High Closed Toe  | 504 | 43.24                  |
| Thigh High Open Toe Full Compression   | 504 | 43.24                  |
| Thigh High Closed Toe Full Compression                                       | 504 | 43.24                  |
| Thigh High Open Toe with Grip Top  | 504 | 50.68                  |
| Thigh High Closed Toe with Grip Top  | 504 | 50.68                  |
| Thigh High Open Toe with Grip Top Full Compression                           | 504 | 50.68                  |
| Thigh High Closed Toe with Grip Top Full Compression                         | 504 | 50.68                  |
| Thigh High Open Toe with Waist Attachment (Left or Right)                    | 504 | 61.09                  |
| Thigh High Closed Toe with Waist Attachment (Left or Right)                  | 504 | 61.09                  |
| Thigh High Open Toe with Waist Attachment Full Compression (Left or Right)   | 504 | 61.09                  |
| Thigh High Closed Toe with Waist Attachment Full Compression (Left or Right) | 504 | 61.09                  |

**Price per pair**

|                                   |     |        |
|-----------------------------------|-----|--------|
| Panty Bodyform Open Toe           | 504 | 160.43 |
| Panty Bodyform Closed Toe         | 504 | 160.43 |
| Panty Open Toe                    | 504 | 160.43 |
| Panty Open Toe Full Compression   | 504 | 160.43 |
| Panty Closed Toe                  | 504 | 160.43 |
| Panty Closed Toe Full Compression | 504 | 160.43 |

**(49-59mmHg)**

|  |     | <b>Price per piece</b> |
|--|-----|------------------------|
| Below Knee Open Toe  | 505 | 35.07                  |
| Below Knee Open Toe with Grip Top  | 505 | 42.50                  |
| Below Knee Closed Toe  | 505 | 35.07                  |
| Below Knee Closed Toe with Grip Top  | 505 | 42.50                  |
| One-legged Panty Open Toe  | 505 | 124.98                 |
| One-legged Panty Closed Toe  | 505 | 124.98                 |
| One-legged Panty Open Toe Full Compression                                   | 505 | 124.98                 |
| One-legged Panty Closed Toe Full Compression                                 | 505 | 124.98                 |
| Thigh High Open Toe  | 505 | 43.24                  |
| Thigh High Closed Toe  | 505 | 43.24                  |
| Thigh High Open Toe Full Compression   | 505 | 43.24                  |
| Thigh High Closed Toe Full Compression                                       | 505 | 43.24                  |
| Thigh High Open Toe with Grip Top  | 505 | 50.68                  |
| Thigh High Closed Toe with Grip Top  | 505 | 50.68                  |
| Thigh High Open Toe with Grip Top Full Compression                           | 505 | 50.68                  |
| Thigh High Closed Toe with Grip Top Full Compression                         | 505 | 50.68                  |
| Thigh High Open Toe with Waist Attachment (Left or Right)                    | 505 | 61.09                  |
| Thigh High Closed Toe with Waist Attachment (Left or Right)                  | 505 | 61.09                  |
| Thigh High Open Toe with Waist Attachment Full Compression (Left or Right)   | 505 | 61.09                  |
| Thigh High Closed Toe with Waist Attachment Full Compression (Left or Right) | 505 | 61.09                  |

**Price per pair**

|                                   |     |        |
|-----------------------------------|-----|--------|
| Panty Bodyform Open Toe           | 505 | 160.43 |
| Panty Bodyform Closed Toe         | 505 | 160.43 |
| Panty Open Toe                    | 505 | 160.43 |
| Panty Open Toe Full Compression   | 505 | 160.43 |
| Panty Closed Toe                  | 505 | 160.43 |
| Panty Closed Toe Full Compression | 505 | 160.43 |

**Sigvaris Style Colours**

| Style                      | Length       | Sizes            | Price per pair |
|----------------------------|--------------|------------------|----------------|
| <b>(15-20mmHg)</b>         |              |                  |                |
| Below Knee Closed Toe Male | Normal, Long | S, M, L, XL, XXL | 28.38          |

**Sigvaris Style Opaque**

| Style   | Length       | Sizes                | Price per pair |
|---|--------------|----------------------|----------------|
| <b>(15-20mmHg)</b>                              |              |                      |                |
| Below Knee Closed Toe Female                    | Long, Normal | XS, S, M, L, XL, XXL | 27.90          |
| Below Knee Closed Toe Female Slim               | Long, Normal | S, M, L, XL          | 27.90          |
| Below Knee Closed Toe Female Plus               | Long, Normal | S, M, L, XL, XXL     | 27.90          |
| Below Knee Open Toe Female                      | Long, Normal | XS, S, M, L, XL, XXL | 27.90          |
| Thigh High with Grip Top Closed Toe Female      | Long, Normal | XS, S, M, L, XL, XXL | 53.60          |
| Thigh High with Grip Top Closed Toe Female Slim | Long, Normal | S, M, L, XL          | 53.60          |
| Thigh High with Grip Top Closed Toe Female Plus | Long, Normal | S, M, L, XL, XXL     | 53.60          |
| Thigh High with Grip Top Open Toe Female        | Long, Normal | XS, S, M, L, XL, XXL | 53.60          |

**Sigvaris Style Semitransparent**

| Style                                       | Length            | Sizes    | Price per pair |
|---|-------------------|----------|----------------|
| <b>Class 1 ( 18-21mmHg )</b>                |                   |          |                |
| Below Knee Open Toe                         | Normal, Long      | XXS - XL | 28.38          |
| Below Knee Open Toe Plus                    | Normal, Long      | XXS - XL | 28.38          |
| Below Knee Closed Toe                       | Normal, Long      | XXS - XL | 28.38          |
| Below Knee Closed Toe Plus                  | Normal, Long      | XXS - XL | 28.38          |
| Thigh High Knobbed Grip Top Open Toe        | Short,Normal,Long | XXS - XL | 54.54          |
| Thigh High Knobbed Grip Top Open Toe Plus   | Short,Normal,Long | XXS - XL | 54.54          |
| Thigh High Knobbed Grip Top Closed Toe      | Short,Normal,Long | XXS - XL | 54.54          |
| Thigh High Knobbed Grip Top Closed Toe Plus | Short,Normal,Long | XXS - XL | 54.54          |
| Thigh High Lace Grip Top Open Toe           | Short,Normal,Long | XXS - XL | 54.54          |
| Thigh High Lace Grip Top Open Toe Plus      | Short,Normal,Long | XXS - XL | 54.54          |
| Thigh High Lace Grip Top Closed Toe         | Short,Normal,Long | XXS - XL | 54.54          |
| Thigh High Lace Grip Top Closed Toe Plus    | Short,Normal,Long | XXS - XL | 54.54          |
| Tights Open Toe                             | Normal, Long      | XXS - XL | 54.54          |
| Tights Closed Toe                           | Normal, Long      | XXS - XL | 54.54          |
| Tights Open Toe Plus                        | Normal, Long      | XXS - XL | 54.54          |
| Tights Closed Toe Plus                      | Normal, Long      | XXS - XL | 54.54          |
| <b>Class 2( 23-32mmHg )</b>                 |                   |          |                |
| Below Knee Open Toe                         | Normal, Long      | XXS - XL | 28.38          |
| Below Knee Open Toe Plus                    | Normal, Long      | XXS - XL | 28.38          |
| Below Knee Closed Toe                       | Normal, Long      | XXS - XL | 28.38          |
| Below Knee Closed Toe Plus                  | Normal, Long      | XXS - XL | 28.38          |
| Thigh High Knobbed Grip Top Open Toe        | Short,Normal,Long | XXS - XL | 54.54          |
| Thigh High Knobbed Grip Top Open Toe Plus   | Short,Normal,Long | XXS - XL | 54.54          |
| Thigh High Knobbed Grip Top Closed Toe      | Short,Normal,Long | XXS - XL | 54.54          |
| Thigh High Knobbed Grip Top Closed Toe Plus | Short,Normal,Long | XXS - XL | 54.54          |
| Thigh High Lace Grip Top Open Toe           | Short,Normal,Long | XXS - XL | 54.54          |
| Thigh High Lace Grip Top Open Toe Plus      | Short,Normal,Long | XXS - XL | 54.54          |
| Thigh High Lace Grip Top Closed Toe         | Short,Normal,Long | XXS - XL | 54.54          |
| Thigh High Lace Grip Top Closed Toe Plus    | Short,Normal,Long | XXS - XL | 54.54          |
| Tights Open Toe                             | Normal, Long      | XXS - XL | 54.54          |
| Tights Closed Toe                           | Normal, Long      | XXS - XL | 54.54          |
| Tights Open Toe Plus                        | Normal, Long      | XXS - XL | 54.54          |
| Tights Closed Toe Plus                      | Normal, Long      | XXS - XL | 54.54          |

**Sigvaris Style Transparent**

|  | Lengths      | Sizes           |                       |
|--|--------------|-----------------|-----------------------|
| <b>(15-20mmHg)</b>                       |              |                 | <b>Price per pair</b> |
| Below Knee Closed Toe                    | Normal, Long | XS,S,M,L,XL,XXL | 27.22                 |
| Below Knee Closed Toe Plus               | Normal, Long | S,M,L,XL,XXL    | 27.22                 |
| Below Knee Closed Toe Slim               | Normal, Long | S,M,L,XL        | 27.22                 |
| Below Knee Open Toe                      | Normal, Long | XS,S,M,L,XL,XXL | 27.22                 |
| Thigh High Closed Toe with Grip Top      | Normal, Long | XS,S,M,L,XL,XXL | 52.31                 |
| Thigh High Closed Toe with Grip Top Plus | Normal, Long | S,M,L,XL,XXL    | 52.31                 |
| Thigh High Closed Toe with Grip Top Slim | Normal, Long | S,M,L,XL        | 52.31                 |
| Thigh High Open Toe with Grip Top        | Normal, Long | XS,S,M,L,XL,XXL | 52.31                 |
| Tights Closed Toe                        | Normal, Long | S,M,L,XL,XXL    | 52.31                 |
| Tights Closed Toe Plus                   | Normal, Long | S,M,L,XL,XXL    | 52.31                 |
| Tights Open Toe                          | Normal, Long | S,M,L,XL,XXL    | 52.31                 |

**Sigvaris Traditional**

| <b>Arm Sleeves</b>                | Lengths     | Sizes |                        |
|-----------------------------------|-------------|-------|------------------------|
| <b>(23-32mmHg)</b>                |             |       | <b>Price per piece</b> |
| With Grip Top/no Hand piece       | Short, Long | S,M,L | 21.53                  |
| With Grip Top/with Hand piece     | Short, Long | S,M,L | 33.98                  |
| With Shoulder Cap/no Hand piece   | Short, Long | S,M,L | 20.37                  |
| With Shoulder Cap/with Hand piece | Short, Long | S,M,L | 32.17                  |

**Sigvaris Traditional 500**

| Style  | Length      | Sizes       |                        |
|--|-------------|-------------|------------------------|
| <b>Class 2 (23-32mmHg)</b>                                     |             |             | <b>Price per pair</b>  |
| Below Knee Open Toe  | Short, Long | XS,S,M,L,XL | 28.39                  |
| Below Knee Open Toe Plus                                       | Short, Long | S, M, L, XL | 28.39                  |
| Thigh High Open Toe  | Short       | S,M,L       | 54.54                  |
| Thigh High Open Toe  | Long        | XS,S,M,L,XL | 54.54                  |
| Thigh High Open Toe Plus                                       | Short       | S,M,L       | 54.54                  |
| Thigh High Open Toe Plus                                       | Long        | S, M, L, XL | 54.54                  |
| Thigh High Open Toe with Grip Top                              | Short, Long | S, M, L     | 54.54                  |
| Thigh High Open Toe with Grip Top Plus                         | Short, Long | S, M, L     | 54.54                  |
|  |             |             | <b>Price per piece</b> |
| Thigh High with Waist Attachment (left or right)               | Short, Long | S, M, L     | 36.68                  |
| Thigh High Open Toe with Waist Attachment (Left or Right) Plus | Short, Long | S, M, L     | 36.68                  |
| <b>Class 3(34-46mmHg)</b>                                      |             |             | <b>Price per pair</b>  |
| Below Knee Open Toe  | Short, Long | S, M, L, XL | 31.16                  |
| Below Knee Open Toe Plus                                       | Short, Long | S, M, L, XL | 31.16                  |
| Thigh High Open Toe  | Short, Long | S, M, L     | 55.66                  |
| Thigh High Open Toe Plus                                       | Short, Long | S, M, L     | 55.66                  |
| Thigh High Open Toe with Grip Top                              | Short, Long | S, M, L     | 55.66                  |
| Thigh High Open Toe with Grip Top Plus                         | Short, Long | S, M, L     | 55.66                  |
|  |             |             | <b>Price per piece</b> |
| Thigh High with Waist Attachment (left or right) Plus          | Short, Long | S, M, L     | 39.35                  |

**Sigvaris Transition Liner**

| Style              | Size             |                       |
|--------------------|------------------|-----------------------|
| <b>(10-15mmHg)</b> |                  | <b>Price per pair</b> |
| Calf               | S, M, L, XL, XXL | 16.22                 |

**Solidea Catherine**

| Style                           | Size        | Price per pair |
|---------------------------------|-------------|----------------|
| <b>Class 1 (18-21mmHg)</b>      |             |                |
| Thigh High Closed Toe           | S,M,ML,L,XL | 30.64          |
| Thigh High Open Toe             | S,M,ML,L,XL | 30.64          |
| <b>Class 2 (25-32mmHg)</b>      |             |                |
| Thigh High Closed Toe           | S,M,ML,L,XL | 33.71          |
| Thigh High Closed Toe Plus Line | S,M,ML,L,XL | 33.71          |
| Thigh High Open Toe             | S,M,ML,L,XL | 33.71          |
| Thigh High Open Toe Plus Line   | S,M,ML,L,XL | 33.71          |

**Solidea Dynamic**

| Style                      | Size        | Price per pair |
|----------------------------|-------------|----------------|
| <b>Class 1 (18-21mmHg)</b> |             |                |
| Tights Closed Toe          | S,M,ML,L,XL | 44.27          |
| Tights Open Toe            | S,M,ML,L,XL | 44.27          |

**Solidea Marilyn**

| Style   | Size        | Price per pair |
|---|-------------|----------------|
| <b>Class 1 (18-21mmHg)</b>                        |             |                |
| Thigh High Closed Toe with Silicone Top           | S,M,ML,L,XL | 33.71          |
| Thigh High Open Toe with Silicone Top             | S,M,ML,L,XL | 33.71          |
| <b>Class 2 (25-32mmHg)</b>                        |             |                |
| Thigh High Closed Toe with Silicone Top           | S,M,ML,L,XL | 36.79          |
| Thigh High Closed Toe Plus Line with Silicone Top | S,M,ML,L,XL | 36.79          |
| Thigh High Open Toe with Silicone Top             | S,M,ML,L,XL | 36.79          |
| Thigh High Open Toe Plus Line with Silicone Top   | S,M,ML,L,XL | 36.79          |
| <b>Class 3 (34-46mmHg)</b>                        |             |                |
| Thigh High Open Toe with Silicone Top             | S,M,ML,L,XL | 44.27          |
| Thigh High Open Toe Plus Line with Silicone Top   | S,M,ML,L,XL | 44.27          |

**Solidea Medical Gauntlet Arm Band**

| Style                      | Size     | Price per piece |
|----------------------------|----------|-----------------|
| <b>Class 1 (15-21mmHg)</b> |          |                 |
| Armsleeve                  | S,M,L,XL | 30.44           |
| <b>Class 2 (23-32mmHg)</b> |          |                 |
| Armsleeve                  | S,M,L,XL | 30.74           |

**Solidea Micromassage Arm Bands**

| Style                      | Size     | Price per pair |
|----------------------------|----------|----------------|
| <b>Class 1 (15-21mmHg)</b> |          |                |
| Armsleeve                  | S,M,L,XL | 30.44          |



**Solidea Relax Unisex**

| Style                           | Size         | Price per pair |
|---------------------------------|--------------|----------------|
| <b>Class 1 (18-21mmHg)</b>      |              |                |
| Below Knee Closed Toe           | S,M,L,XL,XXL | 10.98          |
| Below Knee Open Toe             | S,M,L,XL,XXL | 10.98          |
| <b>Class 2 (25-32mmHg)</b>      |              |                |
| Below Knee Closed Toe           | S,M,L,XL,XXL | 10.98          |
| Below Knee Closed Toe Plus Line | S,M,L,XL,XXL | 10.98          |
| Below Knee Open Toe             | S,M,L,XL,XXL | 10.98          |
| Below Knee Open Toe Plus Line   | S,M,L,XL,XXL | 10.98          |
| <b>Class 3 (34-46mmHg)</b>      |              |                |
| Below Knee Open Toe             | S,M,L,XL,XXL | 30.44          |
| Below Knee Open Toe Plus Line   | S,M,L,XL,XXL | 30.44          |

**Solidea Wonder Model**

| Style                      | Size            | Price per pair |
|----------------------------|-----------------|----------------|
| <b>Class 1 (18-21mmHg)</b> |                 |                |
| Tights Closed Toe          | S,M,ML,L,XL,XXL | 40.58          |
| Tights Open Toe            | S,M,ML,L,XL,XXL | 40.58          |
| <b>Class 2 (25-32mmHg)</b> |                 |                |
| Tights Closed Toe          | S,M,ML,L,XL,XXL | 46.01          |
| Tights Open Toe            | S,M,ML,L,XL,XXL | 46.01          |

**varicase**

| Style   | Size             | Price per pair |
|---|------------------|----------------|
| <b>Class 1 (18-21mmHg)</b>                    |                  |                |
| Below Knee Open Toe                           | S, M, L, XL, XXL | 17.77          |
| Below Knee Open Toe Petite                    | S, M, L, XL, XXL | 17.77          |
| Below Knee Closed Toe                         | S, M, L, XL, XXL | 17.77          |
| Below Knee Closed Toe Petite                  | S, M, L, XL, XXL | 17.77          |
| Thigh Length Petite Silicone Top Open Toe     | S, M, L, XL, XXL | 24.65          |
| Thigh Length Silicone Top Open Toe            | S, M, L, XL, XXL | 24.65          |
| Thigh Length Petite Silicone Top Closed Toe   | S, M, L, XL, XXL | 24.65          |
| Thigh Length Silicone Top Closed Toe          | S, M, L, XL, XXL | 24.65          |
| <b>Class 2 (23-32mmHg)</b>                    |                  |                |
| Below Knee Open Toe                           | S, M, L, XL, XXL | 19.14          |
| Below Knee Open Toe Petite                    | S, M, L, XL, XXL | 19.14          |
| Below Knee Closed Toe                         | S, M, L, XL, XXL | 19.14          |
| Below Knee Closed Toe Petite                  | S, M, L, XL, XXL | 19.14          |
| Thigh Length Petite Silicone Top Open Toe     | S, M, L, XL, XXL | 26.54          |
| Thigh Length Silicone Top Open Toe            | S, M, L, XL, XXL | 26.54          |
| Thigh Length Petite Silicone Top Closed Toe   | S, M, L, XL, XXL | 26.54          |
| Thigh Length Silicone Top Closed Toe          | S, M, L, XL, XXL | 26.54          |
| Compression Sock Below Knee Closed Toe Unisex | S, M, L, XL, XXL | 19.00          |
| <b>Class 3 (34-46mmHg)</b>                    |                  |                |
| Below Knee Open Toe                           | S, M, L, XL, XXL | 19.66          |
| Below Knee Open Toe Petite                    | S, M, L, XL, XXL | 19.66          |
| Thigh Length Petite Silicone Top Open Toe     | S, M, L, XL, XXL | 30.62          |
| Thigh Length Silicone Top Open Toe            | S, M, L, XL, XXL | 30.62          |

**Venoflex Micro**

| Style  | Lengths           | Sizes       | Price per pair |
|--|-------------------|-------------|----------------|
| <b>Class 1(18-21mmHg)</b>                                |                   |             |                |
| Below Knee Closed Toe                                    | Short, Long       | 1,2,3,4,5,6 | 22.99          |
| Below Knee Open Toe                                      | Short, Long       | 1,2,3,4,5,6 | 22.99          |
| Thigh High Closed Toe with Dotted Silicone Top Band      | Short,Normal,Long | 1,2,3,4,5,6 | 41.20          |
| Thigh High Closed Toe with Lace Silicone Top Band        | Short,Normal,Long | 1,2,3,4,5,6 | 41.20          |
| Thigh High Open Toe with Dotted Silicone Top Band        | Short,Normal,Long | 1,2,3,4,5,6 | 41.20          |
| Thigh High Open Toe with Lace Silicone Top Band          | Short,Normal,Long | 1,2,3,4,5,6 | 41.20          |
| Thigh High Closed Toe with Dotted Silicone Top Band Plus | Short,Normal,Long | 1,2,3,4,5,6 | 41.20          |
| Thigh High Closed Toe with Lace Silicone Top Band Plus   | Short,Normal,Long | 1,2,3,4,5,6 | 41.20          |
| Thigh High Open Toe with Dotted Silicone Top Band Plus   | Short,Normal,Long | 1,2,3,4,5,6 | 41.20          |
| Thigh High Open Toe with Lace Silicone Top Band Plus     | Short,Normal,Long | 1,2,3,4,5,6 | 41.20          |
| Tights Closed Toe  | Normal, Long      | 1,2,3,4,5,6 | 50.80          |
| Tights Open Toe  | Normal, Long      | 1,2,3,4,5,6 | 50.80          |
| <b>Class 2 (23-32mmHg)</b>                               |                   |             |                |
| Below Knee Closed Toe                                    | Short, Long       | 1,2,3,4,5,6 | 22.99          |
| Below Knee Open Toe                                      | Short, Long       | 1,2,3,4,5,6 | 22.99          |
| Thigh High Closed Toe with Dotted Silicone Top Band      | Short,Normal,Long | 1,2,3,4,5,6 | 41.20          |
| Thigh High Closed Toe with Lace Silicone Top Band        | Short,Normal,Long | 1,2,3,4,5,6 | 41.20          |
| Thigh High Open Toe with Dotted Silicone Top Band        | Short,Normal,Long | 1,2,3,4,5,6 | 41.20          |
| Thigh High Open Toe with Lace Silicone Top Band          | Short,Normal,Long | 1,2,3,4,5,6 | 41.20          |
| Thigh High Closed Toe with Dotted Silicone Top Band Plus | Short,Normal,Long | 1,2,3,4,5,6 | 41.20          |
| Thigh High Closed Toe with Lace Silicone Top Band Plus   | Short,Normal,Long | 1,2,3,4,5,6 | 41.20          |
| Thigh High Open Toe with Dotted Silicone Top Band Plus   | Short,Normal,Long | 1,2,3,4,5,6 | 41.20          |
| Thigh High Open Toe with Lace Silicone Top Band Plus     | Short,Normal,Long | 1,2,3,4,5,6 | 41.20          |
| Tights Closed Toe  | Normal, Long      | 1,2,3,4,5,6 | 50.80          |
| Tights Open Toe  | Normal, Long      | 1,2,3,4,5,6 | 50.80          |

**Venosan 5000**

| Style   | Size        | Price per pair |
|---|-------------|----------------|
| <b>Class 1 (5001)(18-21mmHg)</b>                  |             |                |
| Below Knee  | S, M, L, XL | 28.02          |
| Thigh High with Self Supporting Silicone Top Band | S, M, L, XL | 53.56          |
| <b>Class 2 (5002)(23-32mmHg)</b>                  |             |                |
| Below Knee  | S, M, L, XL | 28.02          |
| Thigh High with Self Supporting Silicone Top Band | S, M, L, XL | 53.56          |
| <b>Class 3 (5003)(34-46mmHg)</b>                  |             |                |
| Below Knee  | S, M, L, XL | 28.02          |

**Venosan 7000**

| Style  | Size     | Length     | Price per pair |
|--|----------|------------|----------------|
| <b>Class 2 (7002) (23-32mmHg)</b>                    |          |            |                |
| Below Knee Open Toe                                  | S,M,L,XL | Long/Short | 29.29          |
| Below Knee Closed Toe                                | S,M,L,XL | Long/Short | 29.29          |
| Thigh High with Self Supporting Plain Top Open Toe   | S,M,L,XL | Long/Short | 40.00          |
| Thigh High with Self Supporting Plain Top Closed Toe | S,M,L,XL | Long/Short | 40.00          |
| <b>Class 3 (7003) (34-46mmHg)</b>                    |          |            |                |
| Below Knee Open Toe                                  | S,M,L,XL | Long/Short | 29.29          |
| Below Knee Closed Toe                                | S,M,L,XL | Long/Short | 29.29          |
| Thigh High with Self Supporting Plain Top Open Toe   | S,M,L,XL | Long/Short | 40.00          |
| Thigh High with Self Supporting Plain Top Closed Toe | S,M,L,XL | Long/Short | 40.00          |

**VenoTrain Cocoon**

| Style                                 | Length      | Sizes       | Price per pair |
|---------------------------------------|-------------|-------------|----------------|
| <b>Class 2 (23-32mmHg)</b>            |             |             |                |
| Below Knee Closed Toe Long Foot       | Short, Long | S, M, L, XL | 27.90          |
| Below Knee Closed Toe Short Foot      | Short, Long | S, M, L, XL | 27.90          |
| Below Knee Closed Toe Long Foot Plus  | Short, Long | S, M, L, XL | 27.90          |
| Below Knee Closed Toe Short Foot Plus | Short, Long | S, M, L, XL | 27.90          |

**Venotrain Micro**

| Style                                    | Lengths     | Sizes       | Price per pair |
|--|-------------|-------------|----------------|
| <b>Class 1(18-21mmHg)</b>                |             |             |                |
| Below Knee Closed Toe                    | Short, Long | S, M, L, XL | 21.24          |
| Below Knee Open Toe                      | Short, Long | S, M, L, XL | 21.24          |
| Below Knee Plus Closed Toe               | Short, Long | S, M, L, XL | 21.24          |
| Below Knee Plus Open Toe                 | Short, Long | S, M, L, XL | 21.24          |
| Thigh High Closed Toe with Top Band      | Short, Long | S, M, L, XL | 25.74          |
| Thigh High Open Toe with Top Band        | Short, Long | S, M, L, XL | 25.74          |
| Thigh High Plus Closed Toe with Top Band | Short, Long | S, M, L, XL | 25.74          |
| Thigh High Plus Open Toe with Top Band   | Short, Long | S, M, L, XL | 25.74          |
| <b>Price each</b>                        |             |             |                |
| Tights Closed Toe                        | Short, Long | S, M, L, XL | 35.64          |
| Tights Open Toe                          | Short, Long | S, M, L, XL | 35.64          |
| Tights Plus Closed Toe                   | Short, Long | S, M, L, XL | 35.64          |
| Tights Plus Open Toe                     | Short, Long | S, M, L, XL | 35.64          |
| <b>Class 2(23-32mmHg)</b>                |             |             |                |
| Below Knee Closed Toe                    | Short, Long | S, M, L, XL | 21.69          |
| Below Knee Open Toe                      | Short, Long | S, M, L, XL | 21.69          |
| Below Knee Plus Closed Toe               | Short, Long | S, M, L, XL | 21.69          |
| Below Knee Plus Open Toe                 | Short, Long | S, M, L, XL | 21.69          |
| Thigh High Closed Toe with Top Band      | Short, Long | S, M, L, XL | 27.36          |
| Thigh High Open Toe with Top Band        | Short, Long | S, M, L, XL | 27.36          |
| Thigh High Plus Closed Toe with Top Band | Short, Long | S, M, L, XL | 27.36          |
| Thigh High Plus Open Toe with Top Band   | Short, Long | S, M, L, XL | 27.36          |
| <b>Price each</b>                        |             |             |                |
| Tights Closed Toe                        | Short, Long | S, M, L, XL | 40.14          |
| Tights Open Toe                          | Short, Long | S, M, L, XL | 40.14          |
| Tights Plus Closed Toe                   | Short, Long | S, M, L, XL | 40.14          |
| Tights Plus Open Toe                     | Short, Long | S, M, L, XL | 40.14          |

**Venotrain Soft**

| Style  | Lengths     | Sizes       |                       |
|--|-------------|-------------|-----------------------|
| <b>Class 1(18-21mmHg)</b>                              |             |             | <b>Price per pair</b> |
| Below Knee Closed Toe                                  | Short, Long | S, M, L, XL | 20.34                 |
| Below Knee Open Toe                                    | Short, Long | S, M, L, XL | 20.34                 |
| Below Knee Plus Closed Toe                             | Short, Long | S, M, L, XL | 20.34                 |
| Below Knee Plus Open Toe                               | Short, Long | S, M, L, XL | 20.34                 |
| Thigh High Closed Toe with Top Band                    | Short, Long | S, M, L, XL | 25.92                 |
| Thigh High Open Toe with Top Band                      | Short, Long | S, M, L, XL | 25.92                 |
| Thigh High Plus Closed Toe with Top Band               | Short, Long | S, M, L, XL | 25.92                 |
| Thigh High Plus Open Toe with Top Band                 | Short, Long | S, M, L, XL | 25.92                 |
|  |             |             | <b>Price each</b>     |
| Thigh High with Waist Attachment Right Closed Toe      | Short, Long | S, M, L, XL | 17.64                 |
| Thigh High with Waist Attachment Right Open Toe        | Short, Long | S, M, L, XL | 17.64                 |
| Thigh High with Waist Attachment Left Closed Toe       | Short, Long | S, M, L, XL | 17.64                 |
| Thigh High with Waist Attachment Left Open Toe         | Short, Long | S, M, L, XL | 17.64                 |
| Thigh High Plus with Waist Attachment Right Closed Toe | Short, Long | S, M, L, XL | 17.64                 |
| Thigh High Plus with Waist Attachment Right Open Toe   | Short, Long | S, M, L, XL | 17.64                 |
| Thigh High Plus with Waist Attachment Left Closed Toe  | Short, Long | S, M, L, XL | 17.64                 |
| Thigh High Plus with Waist Attachment Left Open Toe    | Short, Long | S, M, L, XL | 17.64                 |
| <b>Class 2(23-32mmHg)</b>                              |             |             | <b>Price per pair</b> |
| Below Knee Closed Toe                                  | Short, Long | S, M, L, XL | 20.34                 |
| Below Knee Open Toe                                    | Short, Long | S, M, L, XL | 20.34                 |
| Below Knee Plus Closed Toe                             | Short, Long | S, M, L, XL | 20.34                 |
| Below Knee Plus Open Toe                               | Short, Long | S, M, L, XL | 20.34                 |
| Thigh High Closed Toe with Top Band                    | Short, Long | S, M, L, XL | 25.92                 |
| Thigh High Open Toe with Top Band                      | Short, Long | S, M, L, XL | 25.92                 |
| Thigh High Plus Closed Toe with Top Band               | Short, Long | S, M, L, XL | 25.92                 |
| Thigh High Plus Open Toe with Top Band                 | Short, Long | S, M, L, XL | 25.92                 |
|  |             |             | <b>Price each</b>     |
| Thigh High with Waist Attachment Right Closed Toe      | Short, Long | S, M, L, XL | 17.64                 |
| Thigh High with Waist Attachment Right Open Toe        | Short, Long | S, M, L, XL | 17.64                 |
| Thigh High with Waist Attachment Left Closed Toe       | Short, Long | S, M, L, XL | 17.64                 |
| Thigh High with Waist Attachment Left Open Toe         | Short, Long | S, M, L, XL | 17.64                 |
| Thigh High Plus with Waist Attachment Right Closed Toe | Short, Long | S, M, L, XL | 17.64                 |
| Thigh High Plus with Waist Attachment Right Open Toe   | Short, Long | S, M, L, XL | 17.64                 |
| Thigh High Plus with Waist Attachment Left Closed Toe  | Short, Long | S, M, L, XL | 17.64                 |
| Thigh High Plus with Waist Attachment Left Open Toe    | Short, Long | S, M, L, XL | 17.64                 |

## Part III (f)

## Tracheostomy and Laryngectomy

**Tracheostomy Breathing Aids**

|                          |       |       |
|--------------------------|-------|-------|
| Adhere silicone adhesive | B-530 | 19.15 |
|--------------------------|-------|-------|

**Bivona inner cannula**

|  |        |                  |
|--|--------|------------------|
|  |        | <b>pack of 2</b> |
|  | BRC270 | 15.68            |
|  | BRC275 | 15.68            |
|  | BRC280 | 15.68            |
|  | BRC285 | 15.68            |
|  | BRC290 | 15.68            |

**Blom-Singer Hands-Free ATSV II System**

|  |             |        |             |
|--|-------------|--------|-------------|
| Blom-Singer ATSV II Cap and 7 foam filters | BE1010      | 18.76  | <b>each</b> |
| Replacement Foam Filters for ATSV II       | BE1020/1030 | 1.04   |             |
| ATSV II Replacement Kit                    | BE8025H     | 179.89 |             |
| Diaphragm/faceplate for ATSV II            | BE8026H     | 71.52  |             |

**Blom-Singer HME System**

|                                       |          |      |  |
|---------------------------------------|----------|------|--|
| Blom-Singer HME Cartridge ClassicFlow | BE1055EZ | 1.87 |  |
|---------------------------------------|----------|------|--|

|                                    |          |       |                   |            |
|------------------------------------|----------|-------|-------------------|------------|
| Blom-Singer HME Cartridge EasyFlow | BE1055EF | 79.35 | <b>pack of 30</b> | <b>NEW</b> |
|------------------------------------|----------|-------|-------------------|------------|

|                            |           |       |             |
|----------------------------|-----------|-------|-------------|
| Blom-Singer HME Stater Kit | BE1055EZS | 28.98 | <b>each</b> |
|----------------------------|-----------|-------|-------------|

|                             |       |        |      |
|-----------------------------|-------|--------|------|
| TruSeal Contour Low Profile | Round | BE6074 | 2.20 |
|-----------------------------|-------|--------|------|

|                  |      |        |      |
|------------------|------|--------|------|
| Adhesive Housing | Oval | BE6075 | 2.20 |
|------------------|------|--------|------|

|  |          |        |      |
|--|----------|--------|------|
|  | Standard | BE6076 | 2.20 |
|--|----------|--------|------|

|                          |       |        |      |
|--------------------------|-------|--------|------|
| AccuFit Adhesive Housing | Round | BE6082 | 2.86 |
|--------------------------|-------|--------|------|

|  |      |        |      |
|--|------|--------|------|
|  | Oval | BE6083 | 2.86 |
|--|------|--------|------|

|  |            |        |      |
|--|------------|--------|------|
|  | Oval Extra | BE6084 | 3.13 |
|--|------------|--------|------|

|                                |       |        |      |
|--------------------------------|-------|--------|------|
| HydroFit Hydrocolloid Adhesive | Round | BE6085 | 4.71 |
|--------------------------------|-------|--------|------|

|         |      |        |      |
|---------|------|--------|------|
| Housing | Oval | BE6086 | 4.71 |
|---------|------|--------|------|

|  |            |        |      |
|--|------------|--------|------|
|  | Oval Extra | BE6087 | 5.14 |
|--|------------|--------|------|

**Blom-Singer Humidifier HME System**

|                               |        |       |
|-------------------------------|--------|-------|
| Blom-Singer Humidifier Holder | BE1060 | 14.35 |
|-------------------------------|--------|-------|

|  |        |      |
|--|--------|------|
| Replacement Foam Filters (normal resistance) | BE1080 | 1.05 |
|--|--------|------|

|                            |          |        |      |
|----------------------------|----------|--------|------|
| Tracheostoma Valve Housing | Standard | BE6038 | 6.50 |
|----------------------------|----------|--------|------|

|  |       |        |      |
|--|-------|--------|------|
|  | Large | BE6039 | 6.50 |
|--|-------|--------|------|

|                     |                  |        |      |
|---------------------|------------------|--------|------|
| Adhesive Tape Discs | Standard Regular | BE6041 | 0.43 |
|---------------------|------------------|--------|------|

|  |               |        |      |
|--|---------------|--------|------|
|  | Large Regular | BE6042 | 0.46 |
|--|---------------|--------|------|

|  |               |        |      |
|--|---------------|--------|------|
|  | Standard Thin | BE6043 | 0.57 |
|--|---------------|--------|------|

|  |            |        |      |
|--|------------|--------|------|
|  | Large Thin | BE6044 | 0.62 |
|--|------------|--------|------|

|  |                     |        |      |
|--|---------------------|--------|------|
|  | Standard Heavy Duty | BE6034 | 0.57 |
|--|---------------------|--------|------|

|  |                  |        |      |
|--|------------------|--------|------|
|  | Large Heavy Duty | BE6035 | 0.62 |
|--|------------------|--------|------|

**Blue Line tracheostomy tube**

|               |                               |             |      |
|---------------|-------------------------------|-------------|------|
| 35.8mm length | Diam 3.0mm inner, 4.2mm outer | 100/506/030 | 9.26 |
|---------------|-------------------------------|-------------|------|

|               |                               |             |      |
|---------------|-------------------------------|-------------|------|
| 39.3mm length | Diam 3.5mm inner, 4.9mm outer | 100/506/035 | 9.26 |
|---------------|-------------------------------|-------------|------|

|               |                               |             |      |
|---------------|-------------------------------|-------------|------|
| 42.7mm length | Diam 4.0mm inner, 5.5mm outer | 100/506/040 | 9.26 |
|---------------|-------------------------------|-------------|------|

|               |                               |             |      |
|---------------|-------------------------------|-------------|------|
| 46.2mm length | Diam 4.5mm inner, 6.2mm outer | 100/506/045 | 9.26 |
|---------------|-------------------------------|-------------|------|

|               |                               |             |      |
|---------------|-------------------------------|-------------|------|
| 49.7mm length | Diam 5.0mm inner, 6.9mm outer | 100/506/050 | 9.26 |
|---------------|-------------------------------|-------------|------|

|  |               | pack of 2 |
|--|---------------|-----------|
| <b>Blue Line Ultra Fenestrated tracheostomy tube inner cannula</b> |               |           |
| 64.5mm length  | 100/851/060   | 14.80     |
| 70mm length  | 100/851/070   | 14.80     |
| 73mm length  | 100/851/075   | 14.80     |
| 75.5mm length  | 100/851/080   | 14.80     |
| 78mm length  | 100/851/085   | 14.80     |
| 81mm length  | 100/851/090   | 14.80     |
| 87.5mm length  | 100/851/100   | 14.80     |
| <b>Blue Line Ultra tracheostomy tube inner cannula</b>             |               |           |
| 64.5mm length  | 100/850/060   | 14.80     |
| 70mm length  | 100/850/070   | 14.80     |
| 73mm length  | 100/850/075   | 14.80     |
| 75.5mm length  | 100/850/080   | 14.80     |
| 78mm length  | 100/850/085   | 14.80     |
| 81mm length  | 100/850/090   | 14.80     |
| 87.5mm length  | 100/850/100   | 14.80     |
| <b>BLUselect tracheostomy tube inner cannula</b>                   |               |           |
| 64.5mm length  | 101/850/060CZ | 14.50     |
| 70mm length  | 101/850/070CZ | 14.50     |
| 73mm length  | 101/850/075CZ | 14.50     |
| 75.5mm length  | 101/850/080CZ | 14.50     |
| 78mm length  | 101/850/085CZ | 14.50     |
| 81mm length  | 101/850/090CZ | 14.50     |
| 87.5mm length  | 101/850/100CZ | 14.50     |
| <b>BLUselect tracheostomy tube inner cannula fenestrated</b>       |               |           |
| 64.5mm length  | 101/851/060CZ | 14.50     |
| 70mm length  | 101/851/070CZ | 14.50     |
| 73mm length  | 101/851/075CZ | 14.50     |
| 75.5mm length  | 101/851/080CZ | 14.50     |
| 78mm length  | 101/851/085CZ | 14.50     |
| 81mm length  | 101/851/090CZ | 14.50     |
| 87.5mm length  | 101/851/100CZ | 14.50     |
| <b>BLUselect tracheostomy tube Soft-Seal cuff</b>                  |               |           |
| 64.5mm length  | 101/810/060CZ | 43.10     |
| 70mm length  | 101/810/070CZ | 43.10     |
| 73mm length  | 101/810/075CZ | 43.10     |
| 75.5mm length  | 101/810/080CZ | 43.10     |
| 78mm length  | 101/810/085CZ | 43.10     |
| 81mm length  | 101/810/090CZ | 43.10     |
| 87.5mm length  | 101/810/100CZ | 43.10     |
| <b>BLUselect tracheostomy tube Soft-Seal cuff fenestrated</b>      |               |           |
| 64.5mm length  | 101/812/060CZ | 44.70     |
| 70mm length  | 101/812/070CZ | 44.70     |
| 73mm length  | 101/812/075CZ | 44.70     |
| 75.5mm length  | 101/812/080CZ | 44.70     |
| 78mm length  | 101/812/085CZ | 44.70     |
| 81mm length  | 101/812/090CZ | 44.70     |
| 87.5mm length  | 101/812/100CZ | 44.70     |

**BLUselect tracheostomy tube Soft-Seal cuff Suctionaid**

|               |  |               |       |
|---------------|--|---------------|-------|
| 64.5mm length |  | 101/870/060CZ | 47.20 |
| 70mm length   |  | 101/870/070CZ | 47.20 |
| 73mm length   |  | 101/870/075CZ | 47.20 |
| 75.5mm length |  | 101/870/080CZ | 47.20 |
| 78mm length   |  | 101/870/085CZ | 47.20 |
| 81mm length   |  | 101/870/090CZ | 47.20 |
| 87.5mm length |  | 101/870/100CZ | 47.20 |

**BLUselect tracheostomy tube uncuffed**

|               |  |               |       |
|---------------|--|---------------|-------|
| 64.5mm length |  | 101/811/060CZ | 41.50 |
| 70mm length   |  | 101/811/070CZ | 41.50 |
| 73mm length   |  | 101/811/075CZ | 41.50 |
| 75.5mm length |  | 101/811/080CZ | 41.50 |
| 78mm length   |  | 101/811/085CZ | 41.50 |
| 81mm length   |  | 101/811/090CZ | 41.50 |
| 87.5mm length |  | 101/811/100CZ | 41.50 |

**Combiphon Speaking Valve**

27131 15.50

**Duratwix Uni-Vario tracheostomy tube with two inner cannulas****each**

## Short

|             |                              |          |       |
|-------------|------------------------------|----------|-------|
| 72mm length | Diam 7mm inner, 11.9mm outer | 19212-07 | 53.73 |
| 75mm length | Diam 8mm inner, 12.5mm outer | 19212-08 | 53.73 |
| 78mm length | Diam 9mm inner, 13.7mm outer | 19212-09 | 53.73 |
| 81mm length | Diam 10mm inner, 15mm outer  | 19212-10 | 53.73 |

## Standard

|             |                              |          |       |
|-------------|------------------------------|----------|-------|
| 82mm length | Diam 6mm inner, 11.9mm outer | 19211-06 | 53.73 |
| 82mm length | Diam 7mm inner, 11.9mm outer | 19211-07 | 53.73 |
| 85mm length | Diam 8mm inner, 12.5mm outer | 19211-08 | 53.73 |
| 88mm length | Diam 9mm inner, 13.7mm outer | 19211-09 | 53.73 |
| 91mm length | Diam 10mm inner, 15mm outer  | 19211-10 | 53.73 |

**Duratwix Uni-Vario Cuff tracheostomy tube with two inner cannulas**

## Short

|             |                              |          |       |
|-------------|------------------------------|----------|-------|
| 72mm length | Diam 7mm inner, 11.9mm outer | 19612-07 | 54.74 |
| 75mm length | Diam 8mm inner, 12.5mm outer | 19612-08 | 54.74 |
| 78mm length | Diam 9mm inner, 13.7mm outer | 19612-09 | 54.74 |
| 81mm length | Diam 10mm inner, 15mm outer  | 19612-10 | 54.74 |

## Standard

|             |                              |          |       |
|-------------|------------------------------|----------|-------|
| 82mm length | Diam 6mm inner, 11.9mm outer | 19611-06 | 54.74 |
| 82mm length | Diam 7mm inner, 11.9mm outer | 19611-07 | 54.74 |
| 85mm length | Diam 8mm inner, 12.5mm outer | 19611-08 | 54.74 |
| 88mm length | Diam 9mm inner, 13.7mm outer | 19611-09 | 54.74 |
| 91mm length | Diam 10mm inner, 15mm outer  | 19611-10 | 54.74 |

**Duratwix Uni-Vario Lingo tracheostomy tube with two inner cannulas**

## Short

|             |                              |          |       |
|-------------|------------------------------|----------|-------|
| 72mm length | Diam 7mm inner, 11.9mm outer | 19262-07 | 54.74 |
| 75mm length | Diam 8mm inner, 12.5mm outer | 19262-08 | 54.74 |
| 78mm length | Diam 9mm inner, 13.7mm outer | 19262-09 | 54.74 |
| 81mm length | Diam 10mm inner, 15mm outer  | 19262-10 | 54.74 |

## Standard

|             |                              |          |       |
|-------------|------------------------------|----------|-------|
| 82mm length | Diam 6mm inner, 11.9mm outer | 19261-06 | 54.74 |
| 82mm length | Diam 7mm inner, 11.9mm outer | 19261-07 | 54.74 |
| 85mm length | Diam 8mm inner, 12.5mm outer | 19261-08 | 54.74 |
| 88mm length | Diam 9mm inner, 13.7mm outer | 19261-09 | 54.74 |
| 91mm length | Diam 10mm inner, 15mm outer  | 19261-10 | 54.74 |

**Duratwix Uni-Vario Lingo-Cuff** tracheostomy tube with two inner cannulas

## Short

|             |                              |          |       |
|-------------|------------------------------|----------|-------|
| 72mm length | Diam 7mm inner, 11.9mm outer | 19662-07 | 58.79 |
| 75mm length | Diam 8mm inner, 12.5mm outer | 19662-08 | 58.79 |
| 78mm length | Diam 9mm inner, 13.7mm outer | 19662-09 | 58.79 |
| 81mm length | Diam 10mm inner, 15mm outer  | 19662-10 | 58.79 |

## Standard

|             |                              |          |       |
|-------------|------------------------------|----------|-------|
| 82mm length | Diam 6mm inner, 11.9mm outer | 19661-06 | 58.79 |
| 82mm length | Diam 7mm inner, 11.9mm outer | 19661-07 | 58.79 |
| 85mm length | Diam 8mm inner, 12.5mm outer | 19661-08 | 58.79 |
| 88mm length | Diam 9mm inner, 13.7mm outer | 19661-09 | 58.79 |
| 91mm length | Diam 10mm inner, 15mm outer  | 19661-10 | 58.79 |

**Freevent DualCare HME System**

|   |  |      |                            |
|---|--|------|----------------------------|
| Freevent DualCare HME                     |  | 7742 | <b>Pack of 30</b><br>71.91 |
|   |  |      | <b>Each</b>                |
| Freevent DualCare speaking valve (tinted) |  | 7744 | 79.26                      |
| Freevent DualCare speaking valve (blue)   |  | 7755 | 79.26                      |

**Freevent XtraCare HME System**

|                     |       |      |                            |
|---------------------|-------|------|----------------------------|
| Freevent O2 Adaptor |       | 7769 | <b>Pack of 10</b><br>15.81 |
|                     |       |      | <b>Pack of 30</b>          |
| Freevent XtraCare   | White | 7767 | 161.79                     |
|                     | Black | 7768 | 161.79                     |

**Humidophone Plus**

|  |       |                      |
|--|-------|----------------------|
|  | 46487 | <b>each</b><br>17.44 |
|--|-------|----------------------|

**Humidotwin**

|  |       |                            |
|--|-------|----------------------------|
|  | 46460 | <b>pack of 30</b><br>66.90 |
|--|-------|----------------------------|

**Kapi-Gel Spacers**

|             |      |            |                            |
|-------------|------|------------|----------------------------|
| Thin (3mm)  | 8mm  | LATNG 2008 | <b>pack of 10</b><br>36.10 |
|             | 12mm | LATNG 2012 | 36.10                      |
| Thick (5mm) | 8mm  | LATNG 4008 | 39.48                      |
|             | 12mm | LATNG 4012 | 39.48                      |

**Laryngotec System**

|                                   |         |          |             |
|-----------------------------------|---------|----------|-------------|
| Laryngotec Kombi Stoma Button Fix |         |          | <b>each</b> |
|                                   | Size 8  | 15950-08 | 75.35       |
|                                   | Size 9  | 15950-09 | 75.35       |
|                                   | Size 10 | 15950-10 | 75.35       |
|                                   | Size 11 | 15950-11 | 75.35       |
|                                   | Size 12 | 15950-12 | 75.35       |
| Short                             | Size 8  | 15960-08 | 75.35       |
|                                   | Size 9  | 15960-09 | 75.35       |
|                                   | Size 10 | 15960-10 | 75.35       |
|                                   | Size 11 | 15960-11 | 75.35       |
|                                   | Size 12 | 15960-12 | 75.35       |



|  |             |            |            |       |
|--|-------------|------------|------------|-------|
| Laryngotec Kombi Laryngectomy Tube (Non-Fenestrated)   |             |            |            |       |
| 44mm length  | Size 7      | 14920-0744 | 72.91      |       |
|  | Size 8      | 14920-0844 | 72.91      |       |
|  | Size 9      | 14920-0944 | 72.91      |       |
|  | Size 10     | 14920-1044 | 72.91      |       |
|  | Size 11     | 14920-1144 | 72.91      |       |
|  | Size 12     | 14920-1244 | 72.32      |       |
|  | Size 13     | 14920-1344 | 72.32      |       |
|  | 62mm length | Size 7     | 14920-0762 | 72.91 |
|  |             | Size 8     | 14920-0862 | 72.91 |
|  |             | Size 9     | 14920-0962 | 72.91 |
|  |             | Size 10    | 14920-1062 | 72.91 |
|  |             | Size 11    | 14920-1162 | 72.91 |
|  |             | Size 12    | 14920-1262 | 72.32 |
| Size 13  |             | 14920-1362 | 72.32      |       |
| 65mm length  | Size 7      | 14920-0765 | 72.32      |       |
| 70mm length  | Size 8      | 14920-0870 | 72.91      |       |
| 75mm length  | Size 9      | 14920-0975 | 72.91      |       |
| 85mm length  | Size 10     | 14920-1085 | 72.91      |       |
| 87mm length  | Size 11     | 14920-1187 | 72.32      |       |
| 90mm length  | Size 12     | 14920-1290 | 72.32      |       |
|  | Size 13     | 14920-1390 | 72.32      |       |
| Laryngotec Kombi Lingo Laryngectomy Tube (Fenestrated) |             |            |            |       |
| 44mm length  | Size 7      | 14720-0744 | 74.99      |       |
|  | Size 8      | 14720-0844 | 74.99      |       |
|  | Size 9      | 14720-0944 | 74.99      |       |
|  | Size 10     | 14720-1044 | 74.99      |       |
|  | Size 11     | 14720-1144 | 74.99      |       |
|  | Size 12     | 14720-1244 | 74.38      |       |
|  | Size 13     | 14720-1344 | 74.38      |       |
|  | 62mm length | Size 7     | 14720-0762 | 74.99 |
|  |             | Size 8     | 14720-0862 | 74.99 |
|  |             | Size 9     | 14720-0962 | 74.99 |
|  |             | Size 10    | 14720-1062 | 74.99 |
|  |             | Size 11    | 14720-1162 | 74.99 |
|  |             | Size 12    | 14720-1262 | 74.38 |
| Size 13  |             | 14720-1362 | 74.38      |       |
| 65mm length  | Size 7      | 14720-0765 | 74.38      |       |
| 70mm length  | Size 8      | 14720-0870 | 74.99      |       |
| 75mm length  | Size 9      | 14720-0975 | 74.99      |       |
| 85mm length  | Size 10     | 14720-1085 | 74.99      |       |
| 87mm length  | Size 11     | 14720-1187 | 74.38      |       |
| 90mm length  | Size 12     | 14720-1290 | 74.38      |       |
|  | Size 13     | 14720-1390 | 74.38      |       |

|   |               |           |                   |
|---|---------------|-----------|-------------------|
| <b>Laryvox HME System</b>   |               |           | <b>pack of 30</b> |
| Laryvox Adhesive Foam Disc  | Small         | 48460     | 25.50             |
|   | Large         | 48461     | 31.80             |
| Laryvox Extra HME Cassette  |               | 49860     | 58.41             |
| Laryvox Extra HME Medium Cassette   |               | 49862     | 58.41             |
| Laryvox Extra HME HighFlow Cassette   |               | 49861     | 58.41             |
| Laryvox HME Cassette  |               | 49800     | 52.08             |
| Laryvox HME High Flow Cassette  |               | 49810     | 54.16             |
| Laryvox Extra HME Sport Cassette  |               | 49863     | 77.85             |
| Laryvox O2 HME Cassette   |               | 49802     | 62.49             |
| Laryvox PRO HME Cassette  |               | 49841     | 79.35             |
| Laryvox PRO HME HighFlow Cassette   |               | 49840     | 79.35             |
|   |               |           | <b>pack of 40</b> |
| Laryvox Simply Fix  |               | 32680     | 88.00             |
|   |               |           | <b>pack of 15</b> |
| Laryvox Tape Comfort  | Round         | 48140     | 72.91             |
|   | Oval          | 48240     | 72.91             |
|   | XL Oval       | 48340     | 72.91             |
| Laryvox Tape Extra Fine   |               | 48400     | 88.53             |
| Laryvox Tape Flexible   | Round         | 48120     | 45.09             |
|   | Oval          | 48220     | 45.09             |
|   | XL Oval       | 48320     | 45.09             |
| Laryvox Tape Hydrosoft  | Round         | 48130     | 70.82             |
|   | Oval          | 48230     | 70.82             |
|   | XL Oval       | 48330     | 70.82             |
| Laryvox Tape Hypoallergen   | Round         | 48050     | 82.28             |
|   | Oval          | 48150     | 81.61             |
|   | XL Oval       | 48250     | 82.28             |
| Laryvox Tape Standard   | Round         | 48100     | 29.51             |
|   | Oval          | 48200     | 29.51             |
|   | XL Oval       | 48300     | 29.51             |
|   |               |           | <b>pack of 30</b> |
| Laryvox Touch HME HighFlow Cassette   | Blue Metallic | 49850-01  | 64.57             |
|   | Gold          | 49850-02  | 64.57             |
|   | Silver        | 49850-03  | 64.57             |
|   | Beige         | 49850-04  | 64.57             |
|   | Clear         | 49850-13  | 64.57             |
| <b>Opticlear Adhesive Remover</b>   |               | 33500     | 9.99              |
| <b>Optigard Protective Dressing Wipes</b>                                     |               | 33600     | 9.99              |
| <b>Passy-Muir Tracheostomy Ventilator &amp; Swallowing and Speaking Valve</b> |               |           | <b>each</b>       |
|   | Aqua          | TRPMV0002 | 62.00             |
|   | Clear         | TRPMV1002 | 62.00             |
|   | Purple        | TRPMV1003 | 62.00             |
| <b>Phoniq HME System</b>  |               |           |                   |
| <b>Phoniq Baseplate</b>   |               |           | <b>pack of 20</b> |
| Hydrocolloid Oval   |               | LAPBP0003 | 92.32             |
| Hydrocolloid Round  |               | LAPBP0004 | 92.32             |
| Secure Oval   |               | LAPBP0001 | 56.06             |
| Secure Round  |               | LAPBP0002 | 56.06             |

|   |                                    |           |                   |            |
|---|------------------------------------|-----------|-------------------|------------|
|   |                                    |           | <b>pack of 30</b> |            |
| <b>Phoniq DigiClose Active HME</b>                |                                    | LAPFT0002 | 57.62             |            |
| Filter  |                                    |           |                   |            |
| <b>Phoniq DigiClose Active HME</b>                | Beige                              | LAPFT0004 | 57.62             |            |
| Filter  |                                    |           |                   |            |
| <b>Phoniq DigiClose Comfort HME</b>               |                                    | LAPFT0001 | 57.62             |            |
| Filter  |                                    |           |                   |            |
| <b>Phoniq DigiClose Comfort HME</b>               | Beige                              | LAPFT0003 | 57.62             |            |
| Filter  |                                    |           |                   |            |
| <b>Phoniq Laryngectomy Tube (Non-Fenestrated)</b> |                                    |           | <b>each</b>       |            |
| 20mm length                                       | Size 8 (8mm inner, 10.5mm outer)   | LAPLT0820 | 73.64             |            |
|   | Size 10 (10mm inner, 12.5mm outer) | LAPLT1020 | 73.64             |            |
|   | Size 12 (12mm inner, 14.5mm outer) | LAPLT1220 | 73.64             |            |
|   | Size 14 (14mm inner, 16.5mm outer) | LAPLT1420 | 73.64             |            |
| 30mm length                                       | Size 8 (8mm inner, 10.5mm outer)   | LAPLT0830 | 73.64             |            |
|   | Size 10 (10mm inner, 12.5mm outer) | LAPLT1030 | 73.64             |            |
|   | Size 12 (12mm inner, 14.5mm outer) | LAPLT1230 | 73.64             |            |
|   | Size 14 (14mm inner, 16.5mm outer) | LAPLT1430 | 73.64             |            |
| 40mm length                                       | Size 8 (8mm inner, 10.5mm outer)   | LAPLT0840 | 73.64             |            |
|   | Size 10 (10mm inner, 12.5mm outer) | LAPLT1040 | 73.64             |            |
|   | Size 12 (12mm inner, 14.5mm outer) | LAPLT1240 | 73.64             |            |
|   | Size 14 (14mm inner, 16.5mm outer) | LAPLT1440 | 73.64             |            |
| 50mm length                                       | Size 8 (8mm inner, 10.5mm outer)   | LAPLT0850 | 73.64             |            |
|   | Size 10 (10mm inner, 12.5mm outer) | LAPLT1050 | 73.64             |            |
|   | Size 12 (12mm inner, 14.5mm outer) | LAPLT1250 | 73.64             |            |
|   | Size 14 (14mm inner, 16.5mm outer) | LAPLT1450 | 73.64             |            |
| 60mm length                                       | Size 8 (8mm inner, 10.5mm outer)   | LAPLT0860 | 73.64             |            |
|   | Size 10 (10mm inner, 12.5mm outer) | LAPLT1060 | 73.64             |            |
|   | Size 12 (12mm inner, 14.5mm outer) | LAPLT1260 | 73.64             |            |
|   | Size 14 (14mm inner, 16.5mm outer) | LAPLT1460 | 73.64             |            |
| <b>Phoniq Laryngectomy Tube (Fenestrated)</b>     |                                    |           | <b>each</b>       |            |
| 40mm length                                       | Size 8 (8mm inner, 10.5mm outer)   | LAPLF0840 | 73.64             |            |
|   | Size 10 (10mm inner, 12.5mm outer) | LAPLF1040 | 73.64             |            |
|   | Size 12 (12mm inner, 14.5mm outer) | LAPLF1240 | 73.64             |            |
|   | Size 14 (14mm inner, 16.5mm outer) | LAPLF1440 | 73.64             |            |
| 50mm length                                       | Size 8 (8mm inner, 10.5mm outer)   | LAPLF0850 | 73.64             |            |
|   | Size 10 (10mm inner, 12.5mm outer) | LAPLF1050 | 73.64             |            |
|   | Size 12 (12mm inner, 14.5mm outer) | LAPLF1250 | 73.64             |            |
|   | Size 14 (14mm inner, 16.5mm outer) | LAPLF1450 | 73.64             |            |
| 60mm length                                       | Size 8 (8mm inner, 10.5mm outer)   | LAPLF0860 | 73.64             |            |
|   | Size 10 (10mm inner, 12.5mm outer) | LAPLF1060 | 73.64             |            |
|   | Size 12 (12mm inner, 14.5mm outer) | LAPLF1260 | 73.64             |            |
|   | Size 14 (14mm inner, 16.5mm outer) | LAPLF1460 | 73.64             |            |
| <b>Phoniq Low Profile HME Filter</b>              |                                    | LAPFT0005 | <b>pack of 30</b> | <b>NEW</b> |
|   |                                    |           | 57.62             |            |
| <b>Phoniq Stoma Button</b>                        |                                    |           | <b>each</b>       |            |
| Short Length 4.8mm                                | Size 8 (8mm inner, 10.5mm outer)   | LAPSB1001 | 73.64             |            |
|   | Size 10 (10mm inner, 12.5mm outer) | LAPSB1002 | 73.64             |            |
|   | Size 12 (12mm inner, 14.5mm outer) | LAPSB1003 | 73.64             |            |
|   | Size 14 (14mm inner, 16.5mm outer) | LAPSB1004 | 73.64             |            |
|   | size 16 (16mm inner, 18.5mm outer) | LAPSB1005 | 73.64             |            |
| Long Length 14.2mm                                | Size 8 (8mm inner, 10.5mm outer)   | LAPSB3001 | 73.64             |            |
|   | Size 10 (10mm inner, 12.5mm outer) | LAPSB3002 | 73.64             |            |
|   | Size 12 (12mm inner, 14.5mm outer) | LAPSB3003 | 73.64             |            |
|   | Size 14 (14mm inner, 16.5mm outer) | LAPSB3004 | 73.64             |            |
|   | size 16 (16mm inner, 18.5mm outer) | LAPSB3005 | 73.64             |            |

|   |                                 |      |                   |
|---|---------------------------------|------|-------------------|
| <b>Provox FreeHands HME System</b>  |                                 |      | <b>Each</b>       |
| Provox FreeHands FlexiVoice   | Light                           | 8161 | 165.34            |
|   | Medium                          | 8162 | 165.34            |
|   | Strong                          | 8163 | 165.34            |
|   | XtraStrong                      | 8166 | 165.33            |
|   |                                 |      | <b>pack of 30</b> |
| Provox FreeHands HME Flow   |                                 | 8221 | 67.60             |
| Provox FreeHands HME Moist  |                                 | 8220 | 67.60             |
| Provox Life FreeHands HME   |                                 | 7440 | 79.20             |
| Silicone Glue (for use with Flexiderm adhesive)                                       |                                 | 7720 | 19.90             |
| <b>Provox HME System (Stomafilter)</b>  |                                 |      | <b>each</b>       |
| Flexiderm adhesive round (Transparent with strong adhesive)                           |                                 | 7253 | 2.90              |
| Flexiderm adhesive oval   |                                 | 7254 | 2.90              |
| Optiderm adhesive round (Skin coloured, hydrocolloid for sensitive skin)              |                                 | 7255 | 4.78              |
| Optiderm adhesive oval  |                                 | 7256 | 4.78              |
| Provox adhesive FlexiDerm Plus  |                                 | 7331 | 3.17              |
| Provox adhesive OptiDerm Plus   |                                 | 7332 | 5.21              |
|   |                                 |      | <b>pack of 50</b> |
| Provox Adhesive Remover   |                                 | 8012 | 26.02             |
|   |                                 |      | <b>pack of 10</b> |
| Provox Adhesive Strips  |                                 | 8015 | 23.97             |
|   |                                 |      | <b>Each</b>       |
| Provox FreeHands Support  | Flat                            | 8021 | 58.58             |
|   | Medium                          | 8022 | 58.58             |
|   | Deep                            | 8023 | 58.58             |
|   |                                 |      | <b>pack of 15</b> |
| Provox FreeHands Support Adhesive   |                                 | 8024 | 43.55             |
|   |                                 |      | <b>each</b>       |
| Provox LaryClip (8 clips)   |                                 | 7669 | 93.95             |
| Provox LaryButton   | Diam 8mm length, 12mm outer     | 7671 | 76.17             |
|   | Diam 8mm length, 14mm outer     | 7672 | 76.17             |
|   | Diam 8mm length, 16mm outer     | 7673 | 76.17             |
|   | Diam 8mm length, 18mm outer     | 7674 | 76.17             |
|   | Diam 18mm length, 12mm outer    | 7685 | 76.17             |
|   | Diam 18mm length, 14mm outer    | 7686 | 76.17             |
|   | Diam 18mm length, 16mm outer    | 7687 | 76.17             |
|   | Diam 18mm length, 18mm outer    | 7688 | 76.17             |
| Provox LaryTube (fenestrated)<br>(including 5 HME Cassette HiFlow and 1 Provox Brush) |                                 |      |                   |
| 36mm length   | Diam 9.5mm inner, 12mm outer    | 7637 | 76.75             |
|   | Diam 10.5mm inner, 13.5mm outer | 7640 | 76.75             |
|   | Diam 12mm inner, 15mm outer     | 7643 | 76.75             |
|   | Diam 13.5mm inner, 17mm outer   | 7646 | 76.75             |
| 55mm length   | Diam 9.5mm inner, 12mm outer    | 7638 | 76.75             |
|   | Diam 10.5mm inner, 13.5mm outer | 7641 | 76.75             |
|   | Diam 12mm inner, 15mm outer     | 7644 | 76.75             |
|   | Diam 13.5mm inner, 17mm outer   | 7647 | 76.75             |
| Provox LaryTube Standard<br>(including 5 HME Cassette XtraFlow)                       |                                 |      |                   |
| 27mm length   | Diam 9.5mm inner, 12mm outer    | 7601 | 76.17             |
|   | Diam 10.5mm inner, 13.5mm outer | 7605 | 76.17             |
|   | Diam 12mm inner, 15mm outer     | 7609 | 76.17             |
|   | Diam 13.5mm inner, 17mm outer   | 7613 | 76.17             |
| 36mm length   | Diam 9.5mm inner, 12mm outer    | 7602 | 76.17             |
|   | Diam 10.5mm inner, 13.5mm outer | 7606 | 76.17             |
|   | Diam 12mm inner, 15mm outer     | 7610 | 76.17             |
|   | Diam 13.5mm inner, 17mm outer   | 7614 | 76.17             |
| 55mm length   | Diam 9.5mm inner, 12mm outer    | 7603 | 76.17             |
|   | Diam 10.5mm inner, 13.5mm outer | 7607 | 76.17             |
|   | Diam 12mm inner, 15mm outer     | 7611 | 76.17             |
|   | Diam 13.5mm inner, 17mm outer   | 7615 | 76.17             |

|  |                                 |      |                   |
|--|---------------------------------|------|-------------------|
| Provox LaryTube with Ring<br>(including 5 HME Cassette XtraFlow) |                                 |      |                   |
| 36mm length  | Diam 9.5mm inner, 12mm outer    | 7624 | 76.17             |
|  | Diam 10.5mm inner, 13.5mm outer | 7626 | 76.17             |
|  | Diam 12mm inner, 15mm outer     | 7628 | 76.17             |
|  | Diam 13.5mm inner, 17mm outer   | 7630 | 76.17             |
| 55mm length  | Diam 9.5mm inner, 12mm outer    | 7625 | 76.17             |
|  | Diam 10.5mm inner, 13.5mm outer | 7627 | 76.17             |
|  | Diam 12mm inner, 15mm outer     | 7629 | 76.17             |
|  | Diam 13.5mm inner, 17mm outer   | 7631 | 76.17             |
|  |                                 |      | <b>pack of 30</b> |
| Provox Life Go HME   |                                 | 8310 | 78.30             |
| Provox Life Home HME   |                                 | 8311 | 78.30             |
| Provox Life Energy HME   |                                 | 8312 | 78.30             |
| Provox Life LaryTube Fenestrated                                 |                                 |      | <b>each</b>       |
| 36mm length  | Diam 9.5mm inner, 12mm outer    | 7429 | 76.48             |
|  | Diam 10.5mm inner, 13.5mm outer | 7431 | 76.48             |
|  | Diam 12mm inner, 15mm outer     | 7433 | 76.48             |
|  | Diam 13.5mm inner, 17mm outer   | 7435 | 76.48             |
| 55mm length  | Diam 9.5mm inner, 12mm outer    | 7430 | 76.48             |
|  | Diam 10.5mm inner, 13.5mm outer | 7432 | 76.48             |
|  | Diam 12mm inner, 15mm outer     | 7434 | 76.48             |
|  | Diam 13.5mm inner, 17mm outer   | 7436 | 76.48             |
| Provox Life LaryTube Fenestrated with Ring                       |                                 |      |                   |
| 36mm length  | Diam 9.5mm inner, 12mm outer    | 8048 | 76.48             |
|  | Diam 10.5mm inner, 13.5mm outer | 8050 | 76.48             |
|  | Diam 12mm inner, 15mm outer     | 8052 | 76.48             |
|  | Diam 13.5mm inner, 17mm outer   | 8054 | 76.48             |
| 55mm length  | Diam 9.5mm inner, 12mm outer    | 8049 | 76.48             |
|  | Diam 10.5mm inner, 13.5mm outer | 8051 | 76.48             |
|  | Diam 12mm inner, 15mm outer     | 8053 | 76.48             |
|  | Diam 13.5mm inner, 17mm outer   | 8055 | 76.48             |
| Provox Life LaryTube Standard                                    |                                 |      |                   |
| 27mm length  | Diam 9.5mm inner, 12mm outer    | 7409 | 75.89             |
|  | Diam 10.5mm inner, 13.5mm outer | 7412 | 75.89             |
|  | Diam 12mm inner, 15mm outer     | 7415 | 75.89             |
|  | Diam 13.5mm inner, 17mm outer   | 7418 | 75.89             |
| 36mm length  | Diam 9.5mm inner, 12mm outer    | 7410 | 75.89             |
|  | Diam 10.5mm inner, 13.5mm outer | 7413 | 75.89             |
|  | Diam 12mm inner, 15mm outer     | 7416 | 75.89             |
|  | Diam 13.5mm inner, 17mm outer   | 7419 | 75.89             |
| 55mm length  | Diam 9.5mm inner, 12mm outer    | 7411 | 75.89             |
|  | Diam 10.5mm inner, 13.5mm outer | 7414 | 75.89             |
|  | Diam 12mm inner, 15mm outer     | 7417 | 75.89             |
|  | Diam 13.5mm inner, 17mm outer   | 7420 | 75.89             |
| Provox Life LaryTube with Ring                                   |                                 |      |                   |
| 36mm length  | Diam 9.5mm inner, 12mm outer    | 7421 | 75.89             |
|  | Diam 10.5mm inner, 13.5mm outer | 7423 | 75.89             |
|  | Diam 12mm inner, 15mm outer     | 7425 | 75.89             |
|  | Diam 13.5mm inner, 17mm outer   | 7427 | 75.89             |
| 55mm length  | Diam 9.5mm inner, 12mm outer    | 7422 | 75.89             |
|  | Diam 10.5mm inner, 13.5mm outer | 7424 | 75.89             |
|  | Diam 12mm inner, 15mm outer     | 7426 | 75.89             |
|  | Diam 13.5mm inner, 17mm outer   | 7428 | 75.89             |
|  |                                 |      | <b>each</b>       |
| Provox Life Night HME  |                                 | 8262 | 78.30             |
|  |                                 |      | <b>pack of 15</b> |
| Provox Life Night Adhesive                                       |                                 | 8261 | 81.30             |
|  |                                 |      | <b>pack of 30</b> |
| Provox Life Sensitive Adhesive                                   | Round                           | 7463 | 162.30            |
|  | Oval                            | 7464 | 162.30            |
|  | Plus                            | 7466 | 162.30            |
| Provox Life Standard Adhesive                                    | Round                           | 7460 | 89.10             |
|  | Oval                            | 7461 | 89.10             |
|  | Plus                            | 7462 | 89.10             |

|  |                                |                            |
|--|--------------------------------|----------------------------|
| Provox Luna Adhesive   | 8014                           | <b>pack of 15</b><br>81.59 |
| Provox Luna HME  | 8013                           | <b>pack of 30</b><br>79.35 |
| Provox Life Protect HME  | 8313                           | <b>pack of 15</b><br>80.40 |
| Provox Life Stability Adhesive   | 8263                           | <b>each</b><br>7.79        |
| Provox Skin Barrier  | 8011                           | <b>pack of 50</b><br>42.03 |
| Provox StabiliBase (Convex, extra long lasting adhesive)                             | 7289                           | <b>Each</b><br>7.81        |
| Provox StabiliBase OptiDerm  | 7318                           | 7.75                       |
| Provox XtraBase (Convex, strong adhesive)  | 7265                           | 5.85                       |
| Provox XtraMoist HME Cassette  | 7290                           | 1.99                       |
| Provox XtraFlow HME Cassette   | 7291                           | 1.99                       |
| Provox TrachPhone HME  | 7707                           | 2.33                       |
| <b>Provox Micron HME (with microbiological filter) Cassette</b>                      |                                | <b>Each</b>                |
| Cassette   | 7248                           | 5.39                       |
| <b>Shiley Tracheostomy System</b>  |                                |                            |
| Shiley Uncuffed Paediatric Tracheostomy tube   |                                |                            |
| 39mm length  | Diam 3.0mm inner, 4.5mm outer  | 3.0PED 29.70               |
| 40mm length  | Diam 3.5mm inner, 5.2mm outer  | 3.5PED 29.70               |
| 41mm length  | Diam 4.0mm inner, 5.9mm outer  | 4.0PED 29.70               |
| 42mm length  | Diam 4.5mm inner, 6.5mm outer  | 4.5PED 29.70               |
| 44mm length  | Diam 5.0mm inner, 7.1mm outer  | 5.0PED 29.70               |
| 45mm length  | Diam 5.5mm inner, 7.7mm outer  | 5.5PED 29.70               |
| Shiley Long Uncuffed Paediatric Tracheostomy tube                                    |                                |                            |
| 50mm length  | Diam 5.0mm inner, 7.1mm outer  | 5.0PDL 32.45               |
| 52mm length  | Diam 5.5mm inner, 7.7mm outer  | 5.5PDL 34.55               |
| 54mm length  | Diam 6.0mm inner, 8.3mm outer  | 6.0PDL 34.55               |
| 56mm length  | Diam 6.5mm inner, 9.0mm outer  | 6.5PDL 34.55               |
| Shiley Cuffed Paediatric Tracheostomy tube   |                                |                            |
| 41mm length  | Diam 4.0mm inner, 5.9mm outer  | 4.0PDC 34.44               |
| 42mm length  | Diam 4.5mm inner, 6.5mm outer  | 4.5PDC 34.44               |
| 44mm length  | Diam 5.0mm inner, 7.1mm outer  | 5.0PDC 34.44               |
| 46mm length  | Diam 5.5mm inner, 7.7mm outer  | 5.5PDC 34.44               |
| Shiley Long Cuffed Paediatric Tracheostomy tube                                      |                                |                            |
| 50mm length  | Diam 5.0mm inner, 7.1mm outer  | 5.0PLC 34.55               |
| 52mm length  | Diam 5.5mm inner, 7.7mm outer  | 5.5PLC 34.55               |
| 54mm length  | Diam 6.0mm inner, 8.3mm outer  | 6.0PLC 34.55               |
| 56mm length  | Diam 6.5mm inner, 9.0mm outer  | 6.5PLC 34.55               |
| Shiley Low Pressure Cuffed Tracheostomy tube with reusable inner cannula             |                                |                            |
| 65mm length  | Diam 5.0mm inner, 9.4mm outer  | 4LPC 54.29                 |
| 76mm length  | Diam 7.0mm inner, 10.8mm outer | 6LPC 54.29                 |
| 81mm length  | Diam 8.5mm inner, 12.2mm outer | 8LPC 54.29                 |
| 81mm length  | Diam 9.0mm inner, 13.8mm outer | 10LPC 54.29                |
| Shiley Low Pressure Cuffed Fenestrated Tracheostomy tube with reusable inner cannula |                                |                            |
| 65mm length  | Diam 5.0mm inner, 9.4mm outer  | 4FEN 52.37                 |
| 76mm length  | Diam 6.4mm inner, 10.8mm outer | 6FEN 52.37                 |
| 81mm length  | Diam 7.6mm inner, 12.2mm outer | 8FEN 52.37                 |
| 81mm length  | Diam 8.9mm inner, 13.8mm outer | 10FEN 52.37                |

## Part III (f)

## Appliances - Tracheostomy and Laryngectomy

|  |                                |          |                   |
|--|--------------------------------|----------|-------------------|
| Shiley Uncuffed Fenestrated Tracheostomy tube with reusable inner cannula              |                                |          |                   |
| 65mm length  | Diam 5.0mm inner, 9.4mm outer  | 4CFN     | 53.65             |
| 76mm length  | Diam 7.0mm inner, 10.8mm outer | 6CFN     | 53.65             |
| 81mm length  | Diam 8.5mm inner, 12.2mm outer | 8CFN     | 53.65             |
| 81mm length  | Diam 9.0mm inner, 13.8mm outer | 10CFN    | 53.65             |
| Shiley Uncuffed Tracheostomy tube with reusable inner cannula                          |                                |          |                   |
| 65mm length  | Diam 5.0mm inner, 9.4mm outer  | 4CFS     | 52.37             |
| 76mm length  | Diam 6.4mm inner, 10.8mm outer | 6CFS     | 52.37             |
| 81mm length  | Diam 7.6mm inner, 12.2mm outer | 8CFS     | 52.37             |
| 81mm length  | Diam 8.9mm inner, 13.8mm outer | 10CFS    | 52.37             |
| Shiley Low Pressure Cuffed Tracheostomy tube with Disposable inner cannula             |                                |          |                   |
| 62mm length  | Diam 5.0mm inner, 9.4mm outer  | 4DCT     | 52.37             |
| 74mm length  | Diam 6.4mm inner, 10.8mm outer | 6DCT     | 52.37             |
| 79mm length  | Diam 7.6mm inner, 12.2mm outer | 8DCT     | 52.37             |
| 79mm length  | Diam 8.9mm inner, 13.8mm outer | 10DCT    | 52.37             |
| Shiley Low Pressure Cuffed Fenestrated Tracheostomy tube with Disposable inner cannula |                                |          |                   |
| 62mm length  | Diam 5.0mm inner, 9.4mm outer  | 4DFEN    | 52.37             |
| 74mm length  | Diam 6.4mm inner, 10.8mm outer | 6DFEN    | 52.37             |
| 79mm length  | Diam 7.6mm inner, 12.2mm outer | 8DFEN    | 52.37             |
| 79mm length  | Diam 8.9mm inner, 13.8mm outer | 10DFEN   | 52.37             |
| Shiley Uncuffed Tracheostomy tube with Disposable inner cannula                        |                                |          |                   |
| 62mm length  | Diam 5.0mm inner, 9.4mm outer  | 4DCFS    | 52.37             |
| 74mm length  | Diam 6.4mm inner, 10.8mm outer | 6DCFS    | 52.37             |
| 79mm length  | Diam 7.6mm inner, 12.2mm outer | 8DCFS    | 52.37             |
| 79mm length  | Diam 8.9mm inner, 13.8mm outer | 10DCFS   | 52.37             |
| Shiley Uncuffed Fenestrated Tracheostomy tube with Disposable inner cannula            |                                |          |                   |
| 62mm length  | Diam 5.0mm inner, 9.4mm outer  | 4DCFN    | 52.37             |
| 74mm length  | Diam 6.4mm inner, 10.8mm outer | 6DCFN    | 52.37             |
| 79mm length  | Diam 7.6mm inner, 12.2mm outer | 8DCFN    | 52.37             |
| 79mm length  | Diam 8.9mm inner, 13.8mm outer | 10DCFN   | 52.37             |
| Shiley Laryngectomy tube with low profile inner cannula                                |                                |          |                   |
| 50mm length  | Diam 6.4mm inner, 11.1mm outer | 6LGT     | 57.74             |
|  | Diam 7.6mm inner, 12.6mm outer | 8LGT     | 57.74             |
|  | Diam 8.9mm inner, 13.7mm outer | 10LGT    | 57.74             |
| Shiley reusable spare inner cannula (short term use)                                   |                                |          | <b>Pack of 10</b> |
|  |                                | 4SIC     | 50.22             |
|  |                                | 6SIC     | 50.22             |
|  |                                | 8SIC     | 50.22             |
|  |                                | 10SIC    | 50.22             |
| Shiley Disposable Non-Fenestrated inner cannula  |                                |          | <b>Pack of 10</b> |
|  |                                | 4DIC     | 18.60             |
|  |                                | 6DIC     | 18.60             |
|  |                                | 8DIC     | 18.60             |
|  |                                | 10DIC    | 18.60             |
| Shiley Disposable Fenestrated inner cannula  |                                |          |                   |
| for size 4 tubes   |                                | 4DICFEN  | 18.60             |
| for size 6 tubes   |                                | 6DICFEN  | 18.60             |
| for size 8 tubes   |                                | 8DICFEN  | 18.60             |
| for size 10 tubes  |                                | 10DICFEN | 18.60             |

|  |                                     |                     |
|--|-------------------------------------|---------------------|
| <b>SpiroTect HME System</b>                          |                                     |                     |
| <b>SpiroTect Antibacterial Cassette</b>              |                                     |                     |
| Touch2Speak  | PTC1004                             | Pack of 30<br>79.81 |
| Push2Speak   | PTC1005                             | 80.08               |
| <b>SpiroTect Baseplate</b>                           |                                     |                     |
| Extra Sticky Round                                   | PTW501                              | Pack of 20<br>94.47 |
| Fabric Oval  | PTW100                              | 92.97               |
| Fabric Round   | PTW101                              | 92.97               |
| Sensitive Oval                                       | PTW200                              | 94.14               |
| Sensitive Round                                      | PTW201                              | 94.14               |
| Clear & Strong Oval                                  | PTW300                              | 57.22               |
| Clear & Strong Round                                 | PTW301                              | 57.22               |
| Secure Convex  | PTW700                              | 154.07              |
| <b>StomaSoft Laryngectomy Tube (Fenestrated)</b>     |                                     |                     |
| 36mm length  | Size 8 (9.5mm inner, 12mm outer)    | BE 6698F<br>74.90   |
|  | Size 9 (10.5mm inner, 13.5mm outer) | BE 6700F<br>74.90   |
|  | Size 10 (12mm inner, 15mm outer)    | BE 6702F<br>74.90   |
|  | Size 12 (13.5mm inner, 17mm outer)  | BE 6704F<br>74.90   |
| 55mm length  | Size 8 (9.5mm inner, 12mm outer)    | BE 6699F<br>74.90   |
|  | Size 9 (10.5mm inner, 13.5mm outer) | BE 6701F<br>74.90   |
|  | Size 10 (12mm inner, 15mm outer)    | BE 6703F<br>74.90   |
|  | Size 12 (13.5mm inner, 17mm outer)  | BE 6705F<br>74.90   |
| <b>StomaSoft Laryngectomy Tube (Non-Fenestrated)</b> |                                     |                     |
| 36mm length  | Size 8 (9.5mm inner, 12mm outer)    | BE 6698<br>74.90    |
|  | Size 9 (10.5mm inner, 13.5mm outer) | BE 6700<br>74.90    |
|  | Size 10 (12mm inner, 15mm outer)    | BE 6702<br>74.90    |
|  | Size 12 (13.5mm inner, 17mm outer)  | BE 6704<br>74.90    |
| 55mm length  | Size 8 (9.5mm inner, 12mm outer)    | BE 6699<br>74.90    |
|  | Size 9 (10.5mm inner, 13.5mm outer) | BE 6701<br>74.90    |
|  | Size 10 (12mm inner, 15mm outer)    | BE 6703<br>74.90    |
|  | Size 12 (13.5mm inner, 17mm outer)  | BE 6705<br>74.90    |



|  |  |               |                             |
|--|--|---------------|-----------------------------|
| <b>Thermovent T HME</b>                            |  | 100/570/015CZ | <b>pack of 50</b><br>47.20  |
| <b>TracheoFix Speaking Valve and O2 adapter</b>    |  | 21450-000000  | <b>pack of 2</b><br>6.50    |
| <b>Trachie-Voice Speaking Valve</b>                |  | TSV/100       | 15.50                       |
| <b>✚ Trachi-Naze Plus Laryngectomy Tube</b>        |  |               | <b>Each</b>                 |
| Length 20mm, 30mm, 40mm, 50mm, 60mm                | Diameter 8mm, 10mm, 12mm, 14mm               |               | 42.72                       |
| <b>✚ Trachi-Naze Plus Nasal Restoration System</b> |  |               | <b>Each</b>                 |
| Trachi-Naze Plus Filters                           |  |               |                             |
| Blue (Night filter)                                | resistance level -2 to -3kPas <sup>1-1</sup> | LATNP 1001    | 1.85                        |
| Green (Day filter)                                 | resistance level -1 to 2kPas <sup>1-2</sup>  | LATNP 1002    | 1.85                        |
| <b>✚ Trachi-Naze Plus Stoma Stud</b>               |  |               |                             |
| Short length 14.5mm                                | Size 8                                       | LATNP 2001    | 12.35                       |
|  | Size 10                                      | LATNP 2002    | 12.35                       |
|  | Size 12                                      | LATNP 2003    | 12.35                       |
|  | Size 14                                      | LATNP 2004    | 12.35                       |
|  | Size 16                                      | LATNP 2005    | 12.35                       |
| Long length 22.5mm                                 | Size 8                                       | LATNP 3001    | 12.35                       |
|  | Size 10                                      | LATNP 3002    | 12.35                       |
|  | Size 12                                      | LATNP 3003    | 12.35                       |
|  | Size 14                                      | LATNP 3004    | 12.35                       |
|  | Size 16                                      | LATNP 3005    | 12.35                       |
| <b>Tracoe Humid Assist IV HME</b>                  |  | 642           | <b>pack of 30</b><br>65.82  |
| <b>Tracoe Humid Assist Mini HME</b>                |  | 643           | <b>pack of 50</b><br>109.00 |
| <b>Voiceline II Speaking Valve</b>                 |  |               | <b>pack of 2</b>            |
|  | White  | TRVSV2000     | 31.00                       |
|  | Green  | TRVSV2001     | 31.00                       |
|  | Orange                                       | TRVSV2002     | 31.00                       |
|  | Pink   | TRVSV2003     | 31.00                       |
|  | Blue   | TRVSV2004     | 31.00                       |

✚ to be deleted 1 December 2021

**Tracheostomy Cleaning Devices**

|   |                                     |             |                            |
|---|-------------------------------------|-------------|----------------------------|
| <b>Blue Line Ultra Inner Cannula Cleaning Brush</b><br>(Smiths Medical International Ltd) |                                     | 100/855/000 | <b>Pack of 40</b><br>21.36 |
| <b>Optifahl Cleaning Wipes</b>  |                                     | 33200       | <b>Pack of 30</b><br>9.88  |
|   |                                     | 33260       | <b>Pack of 60</b><br>9.88  |
| <b>Provox Cleaning Towel</b>  |                                     | 7244        | <b>Pack of 10</b><br>3.61  |
| <b>Provox Swab</b><br>(Atos Medical AB)   | Small                               | 8250        | <b>Pack of 50</b><br>9.35  |
|   | Medium                              | 8251        | 9.45                       |
|   | Large                               | 8252        | 9.45                       |
|   | XtraLarge                           | 8258        | 9.45                       |
| <b>Provox TubeBrush</b>   | 8mm                                 | 7660        | <b>Pack of 6</b><br>12.02  |
|   | 12mm                                | 7661        | 12.02                      |
| <b>SpiroTect Baseplate Adhesive Remover Wipe</b>  |                                     | PTA600      | <b>Pack of 30</b><br>16.12 |
| <b>SpiroTect Baseplate Barrier Wipe</b><br>(Kapitex Healthcare Ltd)                       |                                     | PTA500      | 26.56                      |
| <b>SpiroTect Tube Cleaning Swabs</b><br>(Kapitex Healthcare Ltd)                          |                                     | PTA300      | <b>Pack of 50</b><br>9.30  |
| <b>Tracheostomy Cannula Cleaning Swabs</b><br>(Insight Medical Products Ltd)              | Small                               | TCS/950     | <b>Pack of 10</b><br>1.75  |
|   | Large                               | TCS/900     | 1.75                       |
| <b>Tracheo Cleaning Brush</b><br>Kapitex  | 8 mm                                | TR ACC 0001 | <b>Pack of 2</b><br>4.05   |
|   | 10 mm                               | TR ACC 0002 | 4.05                       |
|   | 12 mm                               | TR ACC 0003 | 4.05                       |
|   | 14 mm                               | TR ACC 0004 | 4.05                       |
| <b>Trachi-Swab</b><br>Kapitex Healthcare Ltd  | Small (for tubes up to 5mm ID)      | TR SWB 0150 | <b>Pack of 50</b><br>9.44  |
|   | Large (for tubes 6 to 8mm ID)       | TR SWB 0250 | 9.55                       |
|   | Extra Large (for tubes over 8mm ID) | TR SWB 3050 | 9.55                       |
| <b>Trachi-Wipe (Skin Wipe)</b><br>Kapitex Healthcare Ltd                                  |                                     | LA NNZ 3001 | <b>Pack of 30</b><br>26.82 |

**Tracheostomy Dressings - sterile**

|   |                      |              | <b>Each</b> |      |
|---|----------------------|--------------|-------------|------|
| <b>Advadraw (T)</b>   | 8cm x 8cm            | CR4416       | 0.72        |      |
| <b>Advazorb (T) Lite</b>                                    | 8cm x 8cm            | CR4212       | 1.05        |      |
| <b>Advazorb Plus (T)</b>                                    | 8cm x 8cm            | CR3900       | 1.16        |      |
| <b>Excilon AMD IV Sponges</b>                               | 5cm x 5cm            | 7089         | 0.09        |      |
|   | 10cm x 10cm          | 7088         | 0.24        |      |
| Note: This dressing is in 2 pieces but is a single dressing |                      |              |             |      |
| <b>Metalline</b>  | 8cm x 9cm            |              | 0.58        |      |
| <b>Sensotrach Alu Slit</b>                                  | 8cm x 10cm           | 30030        | 0.31        |      |
| <b>Sensotrach Duo Ped Slit</b>                              | 6cm x 7cm            | 30623        | 0.62        |      |
| <b>Sensotrach Duo Slit</b>                                  | 9cm x 9.8cm          | 30609        | 0.52        |      |
| <b>Sensotrach Uno Ped</b>                                   | 6cm x 7cm            | 30523        | 0.52        |      |
| <b>Sensotrach Uno Slit</b>                                  | 9cm x 9.8cm          | 30521        | 0.46        |      |
| <b>Trachi-Dress</b>   | 60mm x 82mm (small)  | TR DRE 0001  | 0.78        |      |
|   | 80mm x 100mm (large) | TR DRE 0002  | 0.78        |      |
| <b>Trachi-Dress F</b>                                       | Small                | 60mm x 80mm  | TR DRF 0001 | 1.52 |
|   | Large                | 80mm x 100mm | TR DRF 0002 | 1.53 |

**Tracheostomy Tube Holders**

|  |                            |               |      |      |
|--|----------------------------|---------------|------|------|
| <b>Breeze Adjustable Tracheostomy Tube Holder with Elasticated Cough Strip</b> |                            | T550          | 2.35 |      |
| <b>FreeVent Neckband</b>   | 1 piece small              | 1651          | 3.40 |      |
|  | 1 piece large              | 1661          | 3.40 |      |
|  | 2 piece small              | 1652          | 3.40 |      |
|  | 2 piece large              | 1662          | 3.40 |      |
| <b>Insight 2 Piece Adjustable Latex Free Tracheostomy Tube Holder</b>          | Adult                      | TH100         | 2.52 |      |
|  | Child                      | TH150         | 2.52 |      |
| <b>Marpac Tracheostomy Collar - latex free</b>                                 |                            |               |      |      |
| <b>Marpac Tube Holder</b>  | Adult - with twill ties    | 12"-21" neck  | 108  | 2.98 |
|  | Neo-natal with twill ties  | 4"-7" neck    | 106  | 2.98 |
|  | Paediatric with twill ties | 6"-12" neck   | 107  | 2.98 |
| <b>Marpac Collar</b>   | Adult – with twill ties    | One size      | 201  | 2.92 |
|  | Neo-natal/Paediatric       | One size      | 203  | 2.92 |
| <b>Neckfix Duo K</b>   |                            | 32630         | 2.58 |      |
| <b>Nex Tracheostomy Tube Holder</b>  |                            | HNTTHA        | 2.40 |      |
| <b>Optiflausch</b>   | Child                      | 32550         | 2.58 |      |
|  |                            | 32555         | 2.58 |      |
| <b>Portex Tracheostomy Tube Holder with Velcro Fastening</b>                   |                            |               |      |      |
|  | 25mm wide                  | 100/503/200   | 2.35 |      |
|  | Adult                      | 520000        | 1.26 |      |
|  | Paediatric                 | 520001        | 1.26 |      |
|  | Infant                     | 520002        | 1.26 |      |
| <b>Provox TubeHolder</b>   |                            | 7668          | 3.33 |      |
| <b>Rusch Neckband</b>  | Paediatric                 | 507800-000000 | 2.25 |      |
|  | Adult                      | 507900-000000 | 2.25 |      |
| <b>SpiroTect Tube Holder</b>   | 1 piece                    | PTA200        | 2.53 |      |
|  | 2 piece adult              | PTA201        | 3.38 |      |
|  | 2 piece child/small adult  | PTA301        | 3.36 |      |
| <b>Trachi-Hold</b>   | Adult                      | TR ACC 0012   | 3.46 |      |
|  | Child                      | TR ACC 0014   | 3.46 |      |
|  | Mini                       | TR ACC 0030   | 3.46 |      |

**Tracheostomy and Laryngectomy Protectors**

|  |      |                          |
|--|------|--------------------------|
| <b>Breeze Wet Protect (formerly Wet Protect)</b> | TWP2 | <b>Pack of 2</b><br>7.75 |
|--|------|--------------------------|

**Buchanan Lite**

(Laryngectomy – Permanent Tracheostomy)

Small

White

LA BLT 2001

**Pack of 10**  
34.11

Blue

LA BLT 2002

34.11

Beige

LA BLT 2003

34.11

Large

White

LA BLT 1001

36.87

Blue

LA BLT 1002

36.87

Beige

LA BLT 1003

36.87

**Buchanan Protector**

Small

LA BUP 0002

38.21

Width 21cm x mid-point height 19cm

Large

LA BUP 0001

41.45

A bib of plastics foam, covered with knitted fabric of honeycomb pattern, bound together at the edges by tape, which is extended for tying around the neck.

**Buchanan DeltaNex Protector**

(Laryngectomy – Permanent Tracheostomy)

Small

LA DNX 0001

38.61

A bib of plastics foam, covered with knitted fabric of honeycomb pattern, bound together at the edges by tape. A Velcro strip is sewn onto the top edge for attachment to the DeltaNex neckband.

The DeltaNex neckband incorporates Velcro strips for “touch to close” fastening onto the strip of Velcro on the bib and for fastening around the neck.

Two neckbands are supplied with each pack of 10 bibs.

**Cascade Shower Protector**

AS/3835

**Pack of 2**  
7.78**FreeVent Tracheofix see Provox Tracheofix****Hirst Protector****Pack of 10**  
30.57

A bib comprising of two layers of a knitted net material bound together at the edges with an attached neckband, which fastens at the rear of the neck with a Velcro type fastener.

**Laryngofoam**

\* White

5.1cm x 6.2cm

LA LFF 0001

**Pack of 30**  
13.68

Beige

5.1cm x 6.2cm

LA LFF 0003

13.68

Beige (Large)

6.3cm x 6.5cm

LA LFF 0023

13.68

An individually wrapped piece of plastic foam with an adhesive strip along the top edge.

**Nex Foam Collar Filter**

HNFC

**Pack of 10**  
22.50**Nex Laryngectomy ‘T’ Collar**

Black

HNLTB

**Pack of 2**  
7.00

Grey

HNLTG

7.00

White

HNLTW

7.00

**Nex Mac Showering Aid**

HNM

**Each**  
15.00**Phoniq DigiClose Shower Shield**

LAPPB0001

5.00

**Phoniq Low Profile Shower Shield**

LAPPB0002

**Pack of 2**  
9.85**NEW****Provox Life Shower**

8308

5.02

**Provox Luna ShowerAid**

8016

5.04

\* to be deleted 1 November 2021

|  |                        |        |  |                   |
|--|------------------------|--------|--|-------------------|
| <b>Provox Protector</b>  |                        |        |  | <b>Pack of 10</b> |
| White  | Small                  | 7385   |  | 37.41             |
|  | Large                  | 7386   |  | 40.58             |
| <b>Provox Protector Air</b>  |                        |        |  |                   |
| Blue   | Small                  | 7392   |  | 35.41             |
|  | Large                  | 7394   |  | 38.34             |
| White  | Small                  | 7391   |  | 35.41             |
|  | Large                  | 7393   |  | 38.34             |
| <b>Provox Protector Slim</b>   |                        |        |  |                   |
| Blue   | Small                  | 7388   |  | 33.40             |
|  | Large                  | 7390   |  | 36.10             |
| White  | Small                  | 7387   |  | 33.40             |
|  | Large                  | 7389   |  | 36.10             |
| <b>Provox ShowerAid</b>  |                        | 7260   |  | 5.04              |
| (including 1 ShowerAid and 1 Flexiderm oval baseplate)   |                        |        |  |                   |
| <b>Provox Tracheofix</b>   |                        |        |  | <b>Pack of 10</b> |
| Beige  | 55mm x 60mm (1 strip)  | 1429H  |  | 4.51              |
|  | 55mm x 60mm (2 strips) | 1432H  |  | 4.52              |
|  | 70mm x 70mm (1 strip)  | 1430H  |  | 4.51              |
|  | 70mm x 70mm (2 strips) | 1433H  |  | 4.52              |
| Ivory  | 55mm x 60mm (1 strip)  | 1427   |  | 4.51              |
|  | 70mm x 70mm (1 strip)  | 1428   |  | 4.51              |
|  | 70mm x 70mm (2 strip)  | 1435   |  | 4.52              |
| <b>Purifoam Laryngectomy Filters</b>   |                        | CR3853 |  | 0.38              |
| <b>† Sofnex Laryngectomy Shield</b>  |                        |        |  | <b>Pack of 10</b> |
| (contains 2 neckbands)   |                        |        |  |                   |
| Beige  |                        | CR3860 |  | 31.73             |
| Blue   |                        | CR3859 |  | 31.73             |
| White  |                        | CR3856 |  | 30.47             |
| <b>Sofshield Laryngectomy Protectors</b>   |                        |        |  | <b>Pack of 10</b> |
| (Laryngectomy – permanent Tracheostomy) A bib comprising a novel 3 layer textile structure that fastens at the rear using self-tensioning pull cords |                        |        |  |                   |
| White  | Small                  | AS3698 |  | 30.37             |
|  | Large                  | AS3669 |  | 33.63             |
| Beige  | Small                  | AS3778 |  | 31.69             |
|  | Large                  | AS3765 |  | 35.73             |
| Blue   | Small                  | AS3777 |  | 31.69             |
|  | Medium                 | AS4056 |  | 31.30             |
| Black  | Large                  | AS3764 |  | 35.73             |
|  | Large                  | AS4051 |  | 31.30             |

† to be deleted 1 October 2021

|   |                   |               |                           |
|---|-------------------|---------------|---------------------------|
| <b>SpiroTect Protector</b>                  |                   |               | <b>Pack of 10</b>         |
| Aqua  | Small             | PTA704        | 37.71                     |
|   | Large             | PTA708        | 40.57                     |
| Grey  | Small             | PTA705        | 37.71                     |
|   | Large             | PTA709        | 40.57                     |
| Purple                                      | Small             | PTA706        | 37.71                     |
|   | Large             | PTA710        | 40.57                     |
| White                                       | Small             | PTA703        | 37.71                     |
|   | Large             | PTA707        | 40.57                     |
| <b>SpiroTect Protector, Antibacterial</b>   |                   |               | <b>Pack of 10</b>         |
|   | Small             | PTA700        | 37.92                     |
|   | Large             | PTA702        | 41.13                     |
| <b>SpiroTect Universal Shower Protector</b> |                   |               | <b>Pack of 2</b>          |
|   |                   | PTA101        | 9.98                      |
| <b>TracFlex Plus Shower Cap</b>             |                   | 121911-000000 | <b>Pack of 4</b><br>5.60  |
| <b>Voice Prosthesis Cleaning Brush</b>      |                   |               | <b>Pack of 3</b>          |
| <b>Blom-Singer 16/20Fr</b>                  | Small 4mm-8mm     | IN4064        | 17.00                     |
|   | Medium 10mm-16mm  | IN4065        | 17.00                     |
|   | Large 18mm& above | IN4066        | 17.00                     |
| <b>Insight</b>                              |                   | PB/50         | <b>Pack of 10</b><br>7.57 |
| <b>Laryvox Duo</b>                          | 4mm-6mm           | 29110-06      | <b>Pack of 6</b><br>16.66 |
|   | 7mm-8mm           | 29110-08      | 16.66                     |
|   | 9mm-10mm          | 29110-10      | 16.66                     |
|   | 11mm-13mm         | 29110-12      | 16.66                     |
|   | 14mm-18mm         | 29110-18      | 16.66                     |
| <b>Provox</b>                               |                   | 7204          | <b>Each</b><br>2.14       |
| <b>Provox XL</b>                            |                   | 7225          | 2.14                      |
| <b>Voiceline</b>                            |                   | LA PCB 0003   | <b>Pack of 10</b><br>9.02 |

## Part IV

### Domiciliary Oxygen Therapy Service

#### 1. Domiciliary Oxygen

Oxygen should be prescribed for patients in the home only after careful evaluation and never on a placebo basis. Oxygen may be supplied in cylinders or where the quantity required justifies it, from a concentrator but in general the appropriate method of supply will depend on the type of therapy, intermittent or long term, to be prescribed.

#### 2. Intermittent Therapy

2.1 The majority of patients will have oxygen prescribed for intermittent use in a variety of respiratory conditions. This type of therapy is used in patients with hypoxemia of short duration, for example, asthma, when the condition is likely to recur over months or years. It may be prescribed for patients with advanced irreversible respiratory disorders to increase mobility and capacity for exercise and ease discomfort, for example in chronic obstructive bronchitis, emphysema, widespread fibrosis and primary or thromboembolic pulmonary hypertension. Such patients will usually be supplied with oxygen in cylinders.

2.2 Arrangements for the prescription and supply of cylinder oxygen to those patients who require intermittent therapy are set out at paragraph A.1 to this part of the Drug Tariff. GPs are asked to co-operate in an effort to make this part of the oxygen service more cost effective. If more than one or 2 are regularly required for a particular period, prescribing in multiples of 3 cylinders would produce savings by reducing the number of journeys. It is accepted that it will not always be possible to prescribe in this way, for example, because of the infrequency of use of oxygen or because of storage problems at the patient's home but whenever possible cylinders should be prescribed in multiples of 3.

#### 3. Long Term Oxygen Therapy (LTOT)

3.1 Long-term oxygen therapy is the provision of oxygen for 15 hours or more a day for a prolonged period and is of benefit to many patients with chronic hypoxemia. For these patients oxygen should, where possible, be provided by a concentrator.

3.2 Since it is important to recognise that long term oxygen therapy is of benefit to a limited number of patients and that the needs of the majority of patients will continue to be met by intermittent therapy from cylinders, clinical guidelines for prescribing long term therapy have been drawn up for the benefit of general practitioners. These guidelines are set out in full below.

#### 4. Guidelines For Prescribing Long-Term Oxygen Therapy (LTOT)

- 4.1 On present information, patients who are likely to benefit from long-term oxygen therapy will by definition have chronic hypoxemia, but may for the purposes of these regulations be divided into three groups: -
1. Those for whom there is an absolute indication, for which there is scientific evidence of the value of long-term oxygen therapy.
  2. Those in whom there are good grounds for assuming the value of oxygen therapy, but for which there is no firm scientific evidence at present.
  3. Patients in whom oxygen would have a useful palliative effect.
- 4.2 GPs who identify patients who might belong to any of these groups will wish to have consultant advice on the need for LTOT.

#### 5 Indicators For The Use Of LTOT

- 5.1 Absolute indication.

Patients for whom there is clear evidence of the value of LTOT will be those with chronic obstructive airways disease, hypoxemia and oedema. Such patients will have ankle oedema or a history of an acute exacerbation when ankle oedema was observed. It will be necessary for such patients to be seen and assessed by a respiratory physician with access to respiratory function services. Suitable patients would have a forced expiratory volume ( $FEV_1$ ) of less than 1.5L, a forced vital capacity (FVC) of less than 2L, and arterial oxygen tension less than 7.3kPa (55 mm/mercury) and some elevation of arterial carbon dioxide tension ( $PaCO_2$ ) greater than 6.0kPa or 45mm/mercury. These tests are the minimum requirement and they should be made in a stable phase of the condition when all reversible factors have been adequately treated e.g. infection, reversible airways disease, cardiac disease etc. In order to establish stability, the spirometric measurements and the arterial blood gases should be repeated at an interval of not less than 3 weeks. There should be variation of no more than  $\pm 20\%$  in the spirometric measurements and a variation of no more than  $\pm 5$ mm/mercury or 0.6kPa in the arterial oxygen tension. If such variations are exceeded then a further 3 weeks interval should elapse before the tests are repeated again.

- 5.2 Other patients with chronic obstructive airways disease.

The second group will include all patients with chronic obstructive airways disease having the same spirometric characteristics and the same levels of arterial oxygen tension as those described in para 1.3.1, but in whom hypercapnia is not present and oedema has not been witnessed. Many such patients were studied in American trials of long-term domiciliary oxygen therapy and benefit was clearly shown but such patients were excluded from the British studies. However, many of these patients, including refractory asthmatics and sufferers from cystic fibrosis could be expected to benefit from long-term oxygen therapy. On present evidence long-term domiciliary oxygen therapy should not be denied but the same criteria of stability should be applied to ensure that they are established cases of chronic hypoxemia. We hope that further studies on this group of patients can be urgently carried out.



### 5.3 Palliative use of oxygen.

This group should include patients with other respiratory conditions associated with severe arterial hypoxemia, but without hypercapnia, for which oxygen therapy may have a useful, palliative effect, without necessarily affecting survival. Examples would be severe hypoxemia associated with the terminal stages of fibrosing alveolitis, industrial lung fibrosis, terminal stages of emphysema, and lung infiltrations such as in sarcoidosis, lymphangitis carcinomatosa and certain collagen disorders.

### 5.4 Other conditions.

There are other conditions in which palliation of chronic respiratory failure might be considered, for example in severe kyphoscoliosis, gross obesity and the end stage of irreversible peripheral neuropathies and muscle disorders. However, these conditions are associated with such serious disturbances of ventilatory drive that the abolition of hypoxemia by providing additional inspired oxygen may be dangerous. There is also preliminary evidence that long-term oxygen therapy may help some children with pulmonary hypertension. For all these patients the initial assessment would have to be even more detailed than that already described for patients with chronic obstructive airways disease.

## 6. Post Assessment

6.1 If LTOT is to be prescribed and used effectively it must be remembered that the treatment involves a minimum of 15 hours oxygen per day and whenever possible this should be provided by means of a concentrator. The patient must be fully acquainted with the installation, the working of the concentrator and the need to keep to the arduous therapeutic regimen. The initial flow rate of oxygen through standard nasal prongs will be 2L/min, but may need to be modified between 1.5 and 2.5 litres per minute when the arterial blood gases have been checked with the patient breathing oxygen. The aim is to elevate  $PAO_2$ , to 60 mmHg (8kPa) or more without excessive hypercapnia.

6.2 Full co-operation by the patient is essential and expert support will be necessary to enable the 15 hours daily treatment period to be achieved. Regular monitoring in the home by appropriately trained nurses or lung function technicians and follow-up in respiratory outpatients by thoracic physicians will be necessary to ensure that the treatment is achieving optimum results.

## 7. Patients For Whom Long-Term Oxygen Therapy Is Not Useful

7.1 It is important to stress the circumstances under which LTOT is not indicated. Patients with respiratory conditions that merely produce breathlessness without hypoxemia should not be treated. Long-term therapy is not intended for acute conditions such as lobar pneumonia and other chest infections. Patients with lesser degrees of chronic obstructive airways disease (i.e. not conforming to the criteria in para 1.3.1) or reversible obstructive airways disease including those having acute exacerbations are not candidates for this form of oxygen delivery since their hypoxemia is likely to be only of short duration.

## 8. Smoking And Long-Term Oxygen Therapy

8.1 Patients who continue to smoke are unlikely to gain much benefit from LTOT and every effort must be made to persuade them to discontinue smoking. There is also the additional hazard of fire.

## 9. Summary

- 9.1 It is anticipated that the provision of oxygen concentrators for such patients described above who have proven chronic hypoxemia will be an additional service. It is not intended that oxygen concentrator installations will compete with intermittent oxygen therapy at present provided for patients by cylinder supplies. Patients who would benefit from LTOT from concentrators will need to be carefully selected and carefully monitored and will be relatively few in numbers compared with those having intermittent short burst therapy.

**A. Domiciliary Oxygen Therapy Service Provided By Chemists To Health Service Patients****1. General Arrangements for the Service**

- a. The Board's list of contractors who provide oxygen therapy services includes only those chemists who are authorised to hold a number of lightweight single unit oxygen sets (Specifications 01 A and B) and stands and
  - i. regularly stock oxygen equipment, as specified in the Drug Tariff, and oxygen gas on the premises;
  - ii. are prepared, when it would not be reasonable to expect that a patient's representative could safely do so or when he is unable to do so, to deliver the oxygen set and cylinders to the patient's home, to collect empty cylinders when they are being replaced, and to collect the set and cylinders when informed that treatment has been discontinued; and
  - iii. are prepared to erect and explain the operation of the oxygen set and cylinders at a patient's home, particularly when the patient is having oxygen therapy for the first time.
- b. At any time a chemist willing to provide this service may apply to the Board for inclusion on the list.
- c. A copy of the Board's list of oxygen contractors, with details of the services being provided, is supplied to every chemist and doctor.
- d. If a prescription for an oxygen set or cylinders is presented to a chemist whose name is not included in the list, he should normally provide the patient or his representative with the name, address and telephone number of at least 2 chemists who provide oxygen therapy services at the time the need arises and who are nearest to the patient's home.
- e. Except where, in emergency, a set has been loaned by a distant contractor, oxygen gas should normally be supplied to a patient only by the chemist who has loaned the set. When, exceptionally, cylinder replacements are provided by a chemist other than the one who supplied the set, he should at the time when cylinders are supplied satisfy himself that the patient continues to operate the equipment satisfactorily.
- f. Delivery and collection of sets and/or cylinders is to be undertaken by a patient's representative where he is willing and where the chemist can fully satisfy himself that the representative is able to transport a set and/or a cylinder, carry it and secure it in position in the house and fit the mask after the instructions provided in the set have been explained to him. In other circumstances delivery, erection and collection of sets and/or cylinders and the explanation of the operation of oxygen equipment at the patient's home, particularly at the commencement of treatment, is to be undertaken by the contractor.
- g. The recovery of empty cylinders from patients, and their prompt return to the suppliers for refilling, is essential if adequate supplies of oxygen for the use of patients are to be maintained.

- h. As part of the explanatory information under (f), **the chemist must provide appropriate advice on procedures** to be followed to ensure safe use of oxygen equipment in the home. In particular any **safety instructions** issued by the manufacturers of the equipment **must be brought to the attention of the patient or his representative**. In addition chemists will wish to advise the patient or his representative that the Fire Prevention Officer from the local Fire Brigade is prepared to visit the patient's home to provide practical advice which will help ensure safe use of the oxygen therapy equipment.

## 2. Oxygen Equipment, which may be supplied on loan by chemists to patients

### a. Oxygen Sets

The following sets\* (see Specification 01A and 01B) are approved for use within the oxygen therapy service, and any one may be loaned against a prescription for a set:

- i. BOC Set (BOC 330228) Specification 01A
- ii. Ohmeda Domiciliary Set (MDS 240) Specification 01B
- iii. Oxylitre Set (MR 210) Specification 01A
- iv. Air Apparatus and Valve set (D24) Specification 01B
- v. Ohmeda Domic 2/4 Set Bearing 'S' Stamp (9155033) Specification 01A
- vi. BOC Domiflow Set (888830) Specification 01A
- vii. Puritan Bennett Set (778435) Specification 01A

\* Spare O-rings may be supplied by the manufacturer with the set, but these should be removed by the contractor before the set is supplied to the patient.

***On no account should chemists attempt to modify any oxygen set to produce a higher flow rate than that for which it has been designed. To do so could create a hazardous situation for the patient.***

### b. Oxygen Administration Equipment

The following masks are approved for use within the oxygen therapy service:-

- |     |                               |                   |
|-----|-------------------------------|-------------------|
| i.  | Constant performance masks:-  | See descriptions  |
|     | a. Ventimask MK IV, 28%       | and illustrations |
|     | b. Intersurgical 010 Mask 28% |                   |
| ii. | Variable performance masks    | See descriptions  |
|     | a. Intersurgical 005 Mask     | and illustrations |

**Constant performance masks** provide a nearly constant concentration of 28% oxygen in air over a wide range of oxygen supply, and irrespective of breathing pattern. When a constant performance mask is supplied to a patient, the recommended flow rate is 2 litres per minute (the Medium setting on the control head).

**Variable performance masks** provide a variable concentration of oxygen in air. The concentration varies with the rate of flow of oxygen supplied and the breathing pattern of the patient.

Two Ventimask MK IV, 28% constant performance masks will be supplied by the manufacturer with each oxygen set. (On account of bulk, these masks require to be packed separately from the remainder of the set).

**Where a prescriber considers** that the Ventimask MK IV 28% mask is not appropriate for the treatment of a patient, he must state on the prescription which alternative approved mask is to be supplied.

**Every mask is supplied for the use of one patient only.** All masks, therefore, are "disposable" but each is sufficiently robust to withstand usage even over a long period of treatment.

c. **Connection plastic tubing** (see Specification 01A and 01B). A new length of connection plastic tubing (approx. 150 cm) is to be supplied for each new patient. During extended loan periods, replacement lengths of tubing may also need to be supplied.

d. **Oxygen**

**Oxygen should only be prescribed in 1360 litre cylinders.**

The lightweight aluminium cylinder supplied by BOC is free-standing and obviates the need for a cylinder stand to be supplied to the patient.

**3. Procedure to be followed in loaning equipment, confirming continued use, and termination of BSO's liability.**

- a. The chemist shall on making the loan include a note with the set, saying "This equipment is the property of the chemist, and must be returned immediately to the chemist in good condition when it is no longer required. Any loss of or damage to the equipment is the responsibility of the patient".
- b. The chemist shall endorse the prescription with
  - i. name of set supplied;
  - ii. the date of commencement of loan; and
  - iii. size and number of cylinders supplied.
- c.
  - i. Where the return shows that the set has been on loan for at least 3 months and has not been returned to the chemist, the Board shall ascertain from the doctor whether the equipment is still required; 2 similar enquiries shall be made if necessary during the first year of the loan.
  - ii. In cases where the equipment has been on loan to a patient for 18 months or more the Board should make special enquiries as to the circumstances of the loan.
  - iii. Where the Board is satisfied, after making enquiries that the equipment is no longer required by the patient it shall notify the chemist to arrange recovery.
- d. Where the patient fails to return the equipment the onus of collecting it rests on the chemist.

**4. Method of claiming compensation for financial loss in respect of Oxygen Equipment**

Where the chemist suffers financial loss as a result of the act or default of a person causing the loss of, or damage to, oxygen equipment loaned, and the chemist forthwith informs the Board of such financial loss and of the action taken by him, short of actual litigation, to recover the equipment and compensation for its loss or damage from the person concerned, the Board shall investigate the matter and if in their opinion the financial loss was not occasioned by the act or default of the chemist or by his failure to take the appropriate action to recover the equipment and compensation, the Board shall make a payment to him based on the value of the equipment at the date of loss, or equivalent to the cost of repairing the said damage, as the case may be:

Provided that where the contractor is dissatisfied with the decision of the Board he may refer the matter to the Department who shall give such direction to the BSO as it thinks fit.

In this paragraph, the expression "person" means the person supplied, the patient concerned, members of his household, or the authorities of an institution to which the equipment is delivered, as the case may be.

## B. Additional Specifications And Descriptions

### Lightweight Single Unit Sets

#### Specification 01A (see also diagram)

The SET comprises:-

- i.
  - a. a valve which reduces the gas cylinder pressure from 13,650 k.P.a. to a pressure of 70 to 415 k.P.a;
  - b. a miniature cylinder contents (pressure) gauge calibrated with  $\frac{1}{4}$ ,  $\frac{1}{2}$  and full markings;
  - c. a cap consisting of a 2 flow selector which can be turned from the ratchet position marked "OFF" to ratchet positions marked "MED" and "HIGH", these being designed to correspond to flow rates of 2 litres and 4 litres respectively per minute;
  - d. an outlet, being the male portion of a bayonet type connection;
  - e. a standard bull-nose cylinder adaptor designed for finger tightening and preferably incorporating an O-ring washer;
  - f. a safety device, such as a sintered filter, to prevent the spontaneous combustion of particulate material in the control head or in the neck of the cylinder.
- ii. **Connection Plastic Tubing:** 150 cm (approx.) plastic tubing, 5 mm bore, 8 mm externally (Ref. Portex 800/012/300) with at one end a bayonet fitting to the control head.
- iii. **A Key Spanner** of 100 mm to 150 mm length, for opening the oxygen cylinder valve.

The set parts i-iii are packed in a strong box with full operating instructions being given in the lid.

**Two Ventimask MK IV**, 28% constant performance masks, each in a closed plastic bag, will be supplied by the manufacturer with each oxygen set. (On account of bulk, these masks will require to be packed separately from the remainder of the set).

NOTE: Spare O-rings may be supplied by the manufacturer with the set, but these should be removed by the contractor before the set is supplied to the patient.



**Specification 01B** (Lightweight (Single Unit) Oxygen Set) (see also diagram)

The SET will comply with all the requirements of Specification 01A with the exception of Clause i.c. where the following Clause will apply:-

"The head comprises: a control knob which permits the flow of gas to be turned on and off. It will be suitably labelled to indicate the ON and OFF position and the direction of rotation to turn ON ... A ratchet selection device to enable the gas flow to be set at predetermined positions to give flow rates of 2 litres and 4 litres per minute respectively. The positions will be clearly indicated and labelled 2 L (MED) and 4 L (HIGH)."

Lightweight sets which comply with the above requirements may be loaned against an order for a set.

**Specification 01C****Throw Away Tubing Assemblies****1. Tubing Specification**

Clear PVC Tubing

Tubing length 50 cms

Tubing Bore 5 cms

Suitable for connection to BOC (MDS 240) Oxygen Therapy Equipment.

**2. Connector Specification**

Metal tubing connector with knurled bayonet coupler for connection to BOC (MDS 240) Oxygen Therapy Equipment.

**3. Tubing and Connector Assembly Specification**

1 x 150 cm length 5 mm Bore Clear PVC Tubing (Plain Ends). 1 Metal Tubing Connector with knurled bayonet coupler. Complete assembly packed in clear polythene protective wrapping.

## Specification 02

### Oxygen Masks and Nasal Cannulae.

a. **Ventimask MK IV 28%** (see figure 2)

The mask consists of a one piece transparent flexible moulded face piece incorporating a lightweight rigid clear plastic venturi device that ensures near constant concentration.

It is fitted with an adjustable elastic head-band, and has a soft metal reinforcing strip to ensure a good fit over the bridge of the nose.

Weight (less supply tube)                      66 grams

b. **Intersurgical 005 Mask** (see figure )

A flow rate of 2 litres per minute is recommended, no claim being made for the resulting oxygen concentration.

The Intersurgical 005 Mask comprises a soft moulded plastic facepiece, adjustable elastic headstrap and a metal nose clip to ensure a close fit across the nose. A swivel connector on the front of the mask, to which the oxygen tube is connected, can be rotated to suit varying positions of the connecting tube.

Weight (less supply tube)                      40 grams

c. **Intersurgical 010 Mask, 28%** (see figure 1)

The mask comprises a soft moulded plastic facepiece, an adjustable elastic headstrap and a metal nose clip to ensure a close fit across the nose. A lightweight white venturi diluter fitted to the front of the mask ensures a near constant oxygen concentration. This can be rotated to suit varying positions of the connecting tube.

Weight (less supply tube)                      44 grams

d. **Oxygen Nasal Cannula. Intersurgical 1161**

The oxygen nasal cannula consists of two soft PVC prongs about 10mm long, which project into the nostrils. The nasal prongs when positioned into the nostrils are fed through two PVC tubes of 3mm bore which are placed over the ears and tightened under the chin, by means of a toggle. The two 3mm tubes are joined to an oxygen supply tube of 5mm bore and length 2 metres.

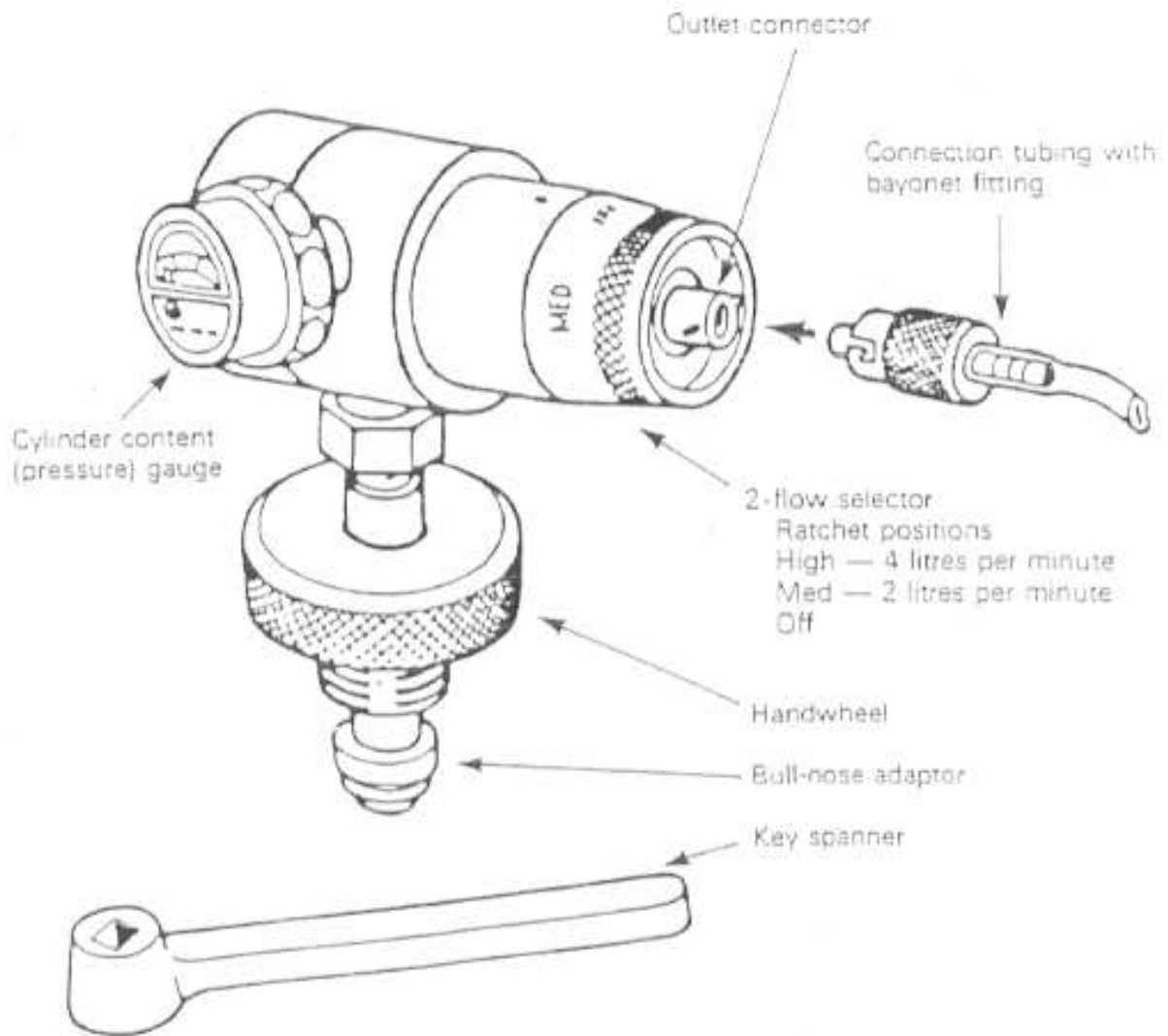
e. **Venticaire Mask** (see figure 4)

This mask comprises a soft moulded clear plastic face-piece, with either an adjustable elastic headstrap, or earloops. A swivel connector is provided on the front of the mask, this rotates to suit varying positions of the oxygen supply tube (not included).

Weight    39 grams

### Lightweight Single Unit Set 01A

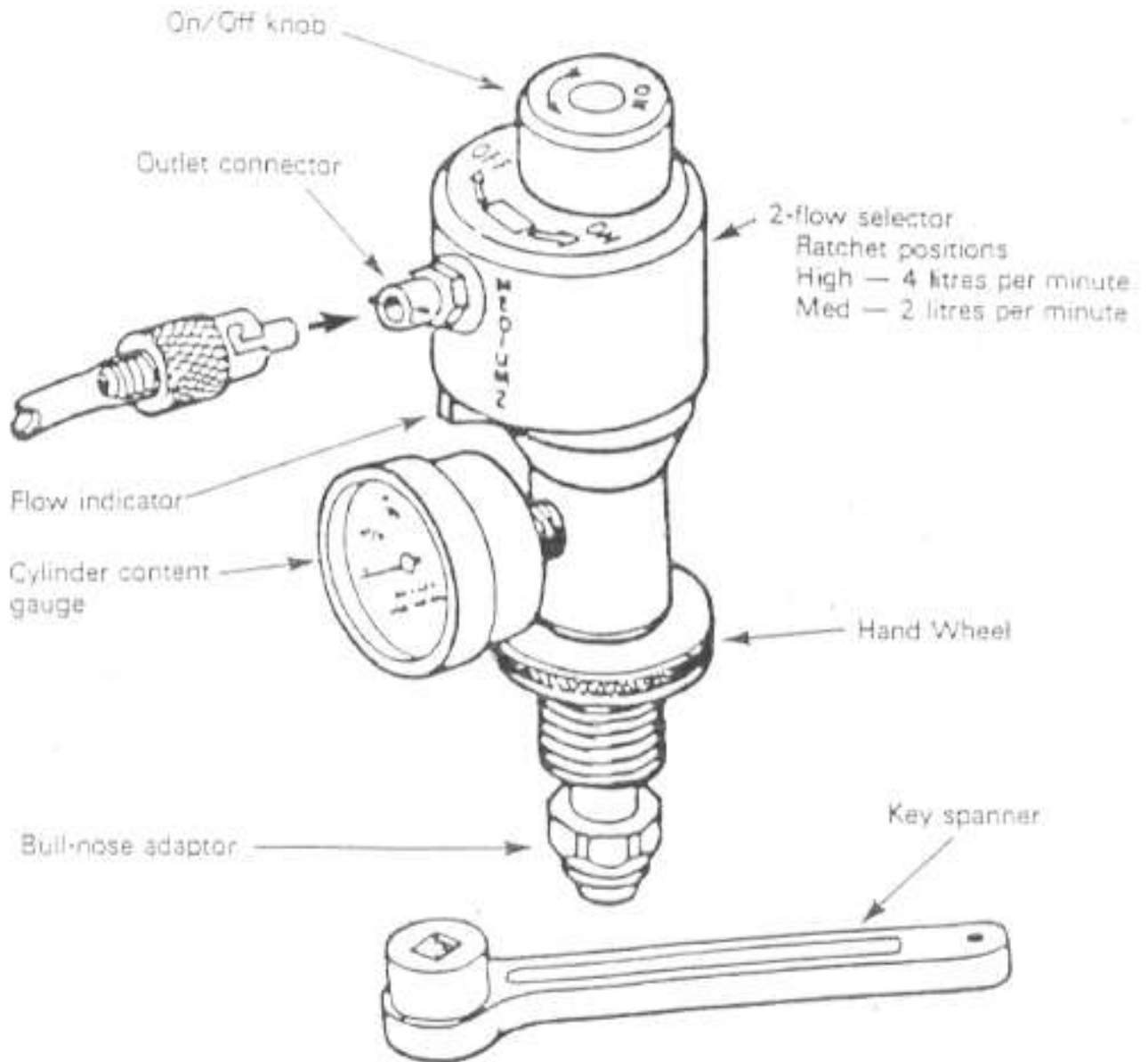
NB: Actual shape of control bead varies with make



The set is packed in a strong box

A constant performance mask is packed separately with the boxed parts.

### Lightweight Single Unit Set 01B



The set is packed in a strong box

A constant performance mask is packed separately with the boxed parts.

### Illustration Of Approved Oxygen Masks



Figure 1  
Inter-Surgical Q10 Mask



Figure 2  
Ventimask Mk1V, 28%



Figure 3  
Inter-Surgical Q05 Mask



Figure 4  
Venticare Mask

## **C. Oxygen Concentrator Service**

### **1. Equipment Which May Be Prescribed**

Oxygen concentrator -  
Accessories - face mask, nasal cannula, humidifier  
Emergency back-up supply (comprising regulator, tubing, administration mask and cylinder of oxygen BP)

### **2. Claims For Payment**

The contractor shall despatch prescription forms together with the appropriate claim forms to the Board not later than the seventh day of the month following that in which the supply was made.

### **3. Concentrator Supplier**

Following a competitive tender exercise carried out by the BSO the supplier of oxygen concentrator services from 1 January 2013 will be:

BOC Ltd  
Prince Regent Road  
Castlereagh  
Belfast  
BT5 6RW

Phone : 0800 136 603  
Fax: 0800 1699 989

### **4. Oxygen Concentrator Service**

An oxygen concentrator is an electrically powered machine, which separates a high proportion of nitrogen and some other components from ambient air and thus delivers oxygen-enriched gases to patients. Oxygen concentrator services will comprise the supply, installation, maintenance, and removal when no longer required, of a concentrator and associated equipment in a patient's home on the prescription of a general practitioner. The service also includes the provision of full instructions to the patient.

- 5.** Concentrators are generally reliable and the risk of breakdown is low, but in the event of a breakdown suppliers will be responsible for responding to an emergency call-out within 10 hours. However, where a doctor considers a patient to be at risk in the event of a concentrator failure, he may prescribe an emergency back-up supply of cylinder oxygen BP that the patient could use until the concentrator is repaired. When it is considered to be necessary, such back-up equipment should normally be prescribed along with the concentrator but the general practitioner should review the need for back-up oxygen regularly and the supply should be withdrawn if no longer required. The emergency back-up supply will form part of the services to be provided by the concentrator supplier. The supplier will also be responsible for the payment of patients' electricity costs associated with concentrator usage.

- 6.** It is accepted that some doctors and most patients will have little knowledge of concentrators and how they are installed. It will, however, be important for a general practitioner to be able to reassure his patient about the advantages of a concentrator before the supplier's initial visit to install the equipment. To assist in this the supplier will be required to provide the Board with copies of a leaflet giving general information on the equipment and services to be provided. The Board should arrange for all general practitioners on the medical list to have a copy of this leaflet in advance of the commencement of the new service. On installation the supplier will provide the patient with a comprehensive booklet.

## **7. Liaison**

Each Board already has an Authorised Officer who is the duly authorised representative for all purposes connected with the contract and will be the point of contact for all enquiries about the concentrator service. The Authorised Officer will liaise with the contractor providing concentrator services and with general practitioners.

## **8. Prescribing Arrangements For Oxygen Concentrators**

Concentrators will normally be prescribed when a patient requires long term oxygen therapy (i.e. 15 hours or more a day over a prolonged period). However it will still be cost effective to prescribe a concentrator for patients who require or are using the equivalent of 21 cylinders or more per month (i.e. 8 hours per day). In no circumstances should a concentrator be prescribed for patients requiring less than 8 hours oxygen per day. When a general practitioner decides that a patient should receive long term oxygen therapy he should take the following action to obtain a concentrator for his patient.

- a. Using form HS21, prescribe a concentrator and any other related equipment (e.g. humidifier) specifying on the form the amount of oxygen required (i.e. hours per day) and the flow rate. If a back-up oxygen set and cylinder are required (see paragraph (g) below) these should be ordered at the same time.
- b. The GP should give the prescription form to the patient along with an explanation of what a concentrator is and advise the patient that the supplier will be in touch shortly to arrange installation. The patient should also be instructed to give the prescription form to the supplier when he visits the patient's home.
- c. The GP should then advise the concentrator supplier by telephone that he has prescribed a concentrator for the patient and ask the supplier to arrange for its installation. The supplier will acknowledge receipt of the order by sending written confirmation to the GP, the patient and the Board.
- d. If at any time during the patient's treatment the GP wishes to order additional equipment e.g.. emergency back-up set and cylinder if not previously ordered, he should follow the procedure at (a) to (c) above.
- e. If for any reason the GP wishes to alter the regimen he should inform the patient, complete the card which has been given to the patient by the concentrator supplier (entering the date, recommended flow rate, hours of use and his initials) and tell the patient to show it to the supplier when he next visits his home to service the machine.

- f. If the patient intends to move to a new address the GP should issue a new prescription for an oxygen concentrator to be provided at the new address or liaise with the patient's new GP if the patient is also changing doctor, so that he/she may issue a prescription.
- g. It is essential that the GP notifies the Board immediately the concentrator is no longer required by a particular patient.
- h. In the event of a breakdown of a concentrator, the supplier must respond to an emergency call-out by the patient within 10 hours. The Department is advised that patients who are suitable for long term oxygen therapy are generally not clinically at risk if their oxygen supply is interrupted for a few hours but for those patients considered to be at risk GPs may wish to prescribe emergency back-up cylinder oxygen in case of such a breakdown. It is expected that prescribing of emergency back-up oxygen will be limited to only a small number of patients.

## **9. Under-Use Of A Concentrator**

Once a patient has had a concentrator installed in his home it will be important to monitor the volume of oxygen consumption. If the patient's oxygen consumption falls below the level prescribed it may not be cost-effective for him to continue to have a concentrator. Under the terms of the contract, the supplier is required to submit to the Board a statement accompanying claims for reimbursement of patients' electricity costs, setting out in respect of each patient a comparison between the patient's average daily usage of the concentrator over the period of the claim and the daily usage as prescribed by the general practitioner. In those cases where it appears that there may have been a significant under-use of the concentrator the Board should bring the matter to the attention of its Medical Adviser for General Practice/GP Adviser so that he/she may discuss the matter with the prescriber.

In those cases where the average daily usage has fallen below the specified level at which a concentrator should be prescribed (see para 8) prescribers should be asked specifically to confirm that the patient has been counselled and that usage of the concentrator will increase. Where no such confirmation is obtained Boards should arrange for the concentrator to be withdrawn and for the doctor to prescribe cylinder oxygen for the patient. Similar action should be taken if, after receiving a prescriber's confirmation of a continuing need for a concentrator at the first enquiry, a further statement from the supplier indicates that usage is still below the specified level.

## **10. Transfer Of Existing Patients From Cylinders To Concentrators**

Some patients who had had cylinder oxygen prescribed for their treatment may reach a point where their oxygen requirements are such that supply would be more economical by concentrator. The Board will identify such patients using the specified level at paragraph 8 and will contact the patient's general practitioner to consider whether the prescription of a concentrator would be a more appropriate form of providing oxygen therapy. If so, the GP should follow the procedure at paragraph 8 (a-h). In such cases a close liaison between the doctor, the concentrator supplier and the patient's existing cylinder supplier will be necessary to ensure that the patient receives sufficient cylinder oxygen to meet his needs until but only until the concentrator is installed.

The Board should ensure that oxygen cylinder contractors are aware of concentrator installations and that they withdraw their equipment and any cylinders (empty or full) from the patient's home as soon as possible after the concentrator has been installed.



**11. Withdrawal Of A Concentrator And/Or Associated Equipment**

Where a GP advises the Board that a concentrator and/or emergency supply of cylinder oxygen is no longer required for a particular patient the Board should immediately arrange with the supplier for removal of the equipment from the patient's home. At the same time the Board should note their records with the details and date of removal notification.

PAGE INTENTIONALLY BLANK

## Part V

### Containers

A Pharmacy Contractor shall supply in a suitable container any drug that he is required to supply under Part 2 of the Second Schedule to the Regulations.

Capsules, tablets, pills, pulvules etc. shall be supplied in airtight containers of glass, aluminium or rigid plastics; card containers may be used only for foil/strip packed tablets etc. For ointments, creams, pastes, card containers shall not be used.

Eye, ear and nasal drops shall be supplied in dropper bottles, or with a separate dropper where appropriate.

A 5 ml plastics measuring spoon which complies with BS 3221: Part 6: 1983 shall be provided with every oral liquid medicine except where the manufacturer's pack includes one. However, when the prescribed dose is not 5ml or whole multiples of 5ml and the pack does not already contain a suitable measuring device, a 5ml plastics oral syringe measure, wrapped together with a bottle adaptor and instruction leaflet shall be supplied. This shall comply with BS 3221: Part 7: 1986, or an equivalent European standard.

In very exceptional circumstances, or where specifically requested by the prescriber dilution may still take place. The prescription should be endorsed accordingly.

PAGE INTENTIONALLY BLANK

## Part VI

## Net Ingredient Cost Scale For Chemist Contractors

| Monthly Total of Prices £ |      | Deduction Rate |
|---------------------------|------|----------------|
| From                      | To   | %              |
| 1                         | 125  | 5.63           |
| 126                       | 250  | 5.65           |
| 251                       | 375  | 5.66           |
| 376                       | 500  | 5.68           |
| 501                       | 625  | 5.70           |
| 626                       | 750  | 5.72           |
| 751                       | 875  | 5.73           |
| 876                       | 1000 | 5.75           |
| 1001                      | 1125 | 5.77           |
| 1126                      | 1250 | 5.79           |
| 1251                      | 1375 | 5.80           |
| 1376                      | 1500 | 5.82           |
| 1501                      | 1625 | 5.84           |
| 1626                      | 1750 | 5.86           |
| 1751                      | 1875 | 5.87           |
| 1876                      | 2000 | 5.89           |
| 2001                      | 2125 | 5.91           |
| 2126                      | 2250 | 5.93           |
| 2251                      | 2375 | 5.94           |
| 2376                      | 2500 | 5.96           |
| 2501                      | 2625 | 5.98           |
| 2626                      | 2750 | 6.00           |
| 2751                      | 2875 | 6.01           |
| 2876                      | 3000 | 6.03           |
| 3001                      | 3125 | 6.05           |
| 3126                      | 3250 | 6.07           |
| 3251                      | 3375 | 6.08           |
| 3376                      | 3500 | 6.10           |
| 3501                      | 3625 | 6.12           |
| 3626                      | 3750 | 6.14           |
| 3751                      | 3875 | 6.15           |
| 3876                      | 4000 | 6.17           |
| 4001                      | 4125 | 6.19           |
| 4126                      | 4250 | 6.21           |
| 4251                      | 4375 | 6.22           |
| 4376                      | 4500 | 6.24           |

| Monthly Total of Prices £ |      | Deduction Rate |
|---------------------------|------|----------------|
| From                      | To   | %              |
| 4501                      | 4625 | 6.26           |
| 4626                      | 4750 | 6.28           |
| 4751                      | 4875 | 6.29           |
| 4876                      | 5000 | 6.31           |
| 5001                      | 5125 | 6.33           |
| 5126                      | 5250 | 6.35           |
| 5251                      | 5375 | 6.36           |
| 5376                      | 5500 | 6.38           |
| 5501                      | 5625 | 6.40           |
| 5626                      | 5750 | 6.42           |
| 5751                      | 5875 | 6.43           |
| 5876                      | 6000 | 6.45           |
| 6001                      | 6125 | 6.47           |
| 6126                      | 6250 | 6.49           |
| 6251                      | 6375 | 6.50           |
| 6376                      | 6500 | 6.52           |
| 6501                      | 6625 | 6.54           |
| 6626                      | 6750 | 6.56           |
| 6751                      | 6875 | 6.57           |
| 6876                      | 7000 | 6.59           |
| 7001                      | 7125 | 6.61           |
| 7126                      | 7250 | 6.63           |
| 7251                      | 7375 | 6.64           |
| 7376                      | 7500 | 6.66           |
| 7501                      | 7625 | 6.68           |
| 7626                      | 7750 | 6.70           |
| 7751                      | 7875 | 6.71           |
| 7876                      | 8000 | 6.73           |
| 8001                      | 8125 | 6.75           |
| 8126                      | 8250 | 6.77           |
| 8251                      | 8375 | 6.78           |
| 8376                      | 8500 | 6.80           |
| 8501                      | 8625 | 6.82           |
| 8626                      | 8750 | 6.84           |
| 8751                      | 8875 | 6.85           |
| 8876                      | 9000 | 6.87           |

| Monthly Total of Prices £ |       | Deduction Rate |
|---------------------------|-------|----------------|
| From                      | To    | %              |
| 9001                      | 9125  | 6.89           |
| 9126                      | 9250  | 6.91           |
| 9251                      | 9375  | 6.92           |
| 9376                      | 9500  | 6.94           |
| 9501                      | 9625  | 6.96           |
| 9626                      | 9750  | 6.98           |
| 9751                      | 9875  | 6.99           |
| 9876                      | 10000 | 7.01           |
| 10001                     | 10125 | 7.03           |
| 10126                     | 10250 | 7.05           |
| 10251                     | 10375 | 7.06           |
| 10376                     | 10500 | 7.08           |
| 10501                     | 10625 | 7.10           |
| 10626                     | 10750 | 7.12           |
| 10751                     | 10875 | 7.13           |
| 10876                     | 11000 | 7.15           |
| 11001                     | 11125 | 7.17           |
| 11126                     | 11250 | 7.19           |
| 11251                     | 11375 | 7.20           |
| 11376                     | 11500 | 7.22           |
| 11501                     | 11625 | 7.24           |
| 11626                     | 11750 | 7.26           |
| 11751                     | 11875 | 7.27           |
| 11876                     | 12000 | 7.29           |
| 12001                     | 12125 | 7.31           |
| 12126                     | 12250 | 7.33           |
| 12251                     | 12375 | 7.34           |
| 12376                     | 12500 | 7.36           |
| 12501                     | 12625 | 7.38           |
| 12626                     | 12750 | 7.40           |
| 12751                     | 12875 | 7.41           |
| 12876                     | 13000 | 7.43           |
| 13001                     | 13125 | 7.45           |
| 13126                     | 13250 | 7.47           |
| 13251                     | 13375 | 7.48           |
| 13376                     | 13500 | 7.50           |
| 13501                     | 13625 | 7.52           |
| 13626                     | 13750 | 7.54           |
| 13751                     | 13875 | 7.55           |
| 13876                     | 14000 | 7.57           |
| 14001                     | 14125 | 7.59           |
| 14126                     | 14250 | 7.61           |
| 14251                     | 14375 | 7.62           |

| Monthly Total of Prices £ |       | Deduction Rate |
|---------------------------|-------|----------------|
| From                      | To    | %              |
| 14376                     | 14500 | 7.64           |
| 14501                     | 14625 | 7.66           |
| 14626                     | 14750 | 7.68           |
| 14751                     | 14875 | 7.69           |
| 14876                     | 15000 | 7.71           |
| 15001                     | 15125 | 7.73           |
| 15126                     | 15250 | 7.75           |
| 15251                     | 15375 | 7.76           |
| 15376                     | 15500 | 7.78           |
| 15501                     | 15625 | 7.80           |
| 15626                     | 15750 | 7.82           |
| 15751                     | 15875 | 7.83           |
| 15876                     | 16000 | 7.85           |
| 16001                     | 16125 | 7.87           |
| 16126                     | 16250 | 7.89           |
| 16251                     | 16375 | 7.90           |
| 16376                     | 16500 | 7.92           |
| 16501                     | 16625 | 7.94           |
| 16626                     | 16750 | 7.96           |
| 16751                     | 16875 | 7.97           |
| 16876                     | 17000 | 7.99           |
| 17001                     | 17125 | 8.01           |
| 17126                     | 17250 | 8.03           |
| 17251                     | 17375 | 8.04           |
| 17376                     | 17500 | 8.06           |
| 17501                     | 17625 | 8.08           |
| 17626                     | 17750 | 8.10           |
| 17751                     | 17875 | 8.11           |
| 17876                     | 18000 | 8.13           |
| 18001                     | 18125 | 8.15           |
| 18126                     | 18250 | 8.17           |
| 18251                     | 18375 | 8.18           |
| 18376                     | 18500 | 8.20           |
| 18501                     | 18625 | 8.22           |
| 18626                     | 18750 | 8.24           |
| 18751                     | 18875 | 8.25           |
| 18876                     | 19000 | 8.27           |
| 19001                     | 19125 | 8.29           |
| 19126                     | 19250 | 8.31           |
| 19251                     | 19375 | 8.32           |
| 19376                     | 19500 | 8.34           |
| 19501                     | 19625 | 8.36           |
| 19626                     | 19750 | 8.38           |

| Monthly Total of Prices £ |       | Deduction Rate |
|---------------------------|-------|----------------|
| From                      | To    | %              |
| 19751                     | 19875 | 8.39           |
| 19876                     | 20000 | 8.41           |
| 20001                     | 20125 | 8.43           |
| 20126                     | 20250 | 8.45           |
| 20251                     | 20375 | 8.46           |
| 20376                     | 20500 | 8.48           |
| 20501                     | 20625 | 8.50           |
| 20626                     | 20750 | 8.52           |
| 20751                     | 20875 | 8.53           |
| 20876                     | 21000 | 8.55           |
| 21001                     | 21125 | 8.57           |
| 21126                     | 21250 | 8.59           |
| 21251                     | 21375 | 8.60           |
| 21376                     | 21500 | 8.62           |
| 21501                     | 21625 | 8.64           |
| 21626                     | 21750 | 8.66           |
| 21751                     | 21875 | 8.67           |
| 21876                     | 22000 | 8.69           |
| 22001                     | 22125 | 8.71           |
| 22126                     | 22250 | 8.73           |
| 22251                     | 22375 | 8.74           |
| 22376                     | 22500 | 8.76           |
| 22501                     | 22625 | 8.78           |
| 22626                     | 22750 | 8.80           |
| 22751                     | 22875 | 8.81           |
| 22876                     | 23000 | 8.83           |
| 23001                     | 23125 | 8.85           |
| 23126                     | 23375 | 8.88           |
| 23376                     | 23625 | 8.92           |
| 23626                     | 24000 | 8.97           |
| 24001                     | 24250 | 9.01           |
| 24251                     | 24625 | 9.06           |
| 24626                     | 24875 | 9.09           |
| 24876                     | 25250 | 9.15           |
| 25251                     | 25500 | 9.18           |
| 25501                     | 25875 | 9.23           |
| 25876                     | 26125 | 9.27           |
| 26126                     | 26375 | 9.30           |
| 26376                     | 26750 | 9.36           |
| 26751                     | 27000 | 9.39           |
| 27001                     | 27375 | 9.40           |
| 27376                     | 27625 | 9.41           |
| 27626                     | 28000 | 9.41           |

| Monthly Total of Prices £ |       | Deduction Rate |
|---------------------------|-------|----------------|
| From                      | To    | %              |
| 28001                     | 28250 | 9.41           |
| 28251                     | 28625 | 9.42           |
| 28626                     | 28875 | 9.42           |
| 28876                     | 29250 | 9.43           |
| 29251                     | 29500 | 9.43           |
| 29501                     | 29875 | 9.44           |
| 29876                     | 30125 | 9.44           |
| 30126                     | 30500 | 9.45           |
| 30501                     | 30750 | 9.45           |
| 30751                     | 31125 | 9.46           |
| 31126                     | 31375 | 9.46           |
| 31376                     | 31750 | 9.47           |
| 31751                     | 32000 | 9.47           |
| 32001                     | 32375 | 9.48           |
| 32376                     | 32625 | 9.48           |
| 32626                     | 32875 | 9.49           |
| 32876                     | 33250 | 9.49           |
| 33251                     | 33500 | 9.49           |
| 33501                     | 33875 | 9.50           |
| 33876                     | 34125 | 9.50           |
| 34126                     | 34500 | 9.51           |
| 34501                     | 34750 | 9.51           |
| 34751                     | 35125 | 9.52           |
| 35126                     | 35375 | 9.52           |
| 35376                     | 36000 | 9.53           |
| 36001                     | 36500 | 9.54           |
| 36501                     | 37250 | 9.55           |
| 37251                     | 37750 | 9.56           |
| 37751                     | 38500 | 9.57           |
| 38501                     | 39250 | 9.58           |
| 39251                     | 39750 | 9.59           |
| 39751                     | 40500 | 9.60           |
| 40501                     | 41000 | 9.61           |
| 41001                     | 41750 | 9.62           |
| 41751                     | 42250 | 9.63           |
| 42251                     | 43000 | 9.64           |
| 43001                     | 43750 | 9.65           |
| 43751                     | 44250 | 9.66           |
| 44251                     | 45000 | 9.67           |
| 45001                     | 45500 | 9.68           |
| 45501                     | 46250 | 9.69           |
| 46251                     | 46750 | 9.70           |
| 46751                     | 47500 | 9.71           |

| Monthly Total of Prices £ |       | Deduction Rate |
|---------------------------|-------|----------------|
| From                      | To    | %              |
| 47501                     | 48250 | 9.72           |
| 48251                     | 48750 | 9.73           |
| 48751                     | 49500 | 9.74           |
| 49501                     | 50000 | 9.75           |
| 50001                     | 50750 | 9.76           |
| 50751                     | 51250 | 9.77           |
| 51251                     | 52000 | 9.78           |
| 52001                     | 52750 | 9.79           |
| 52751                     | 53250 | 9.80           |
| 53251                     | 54000 | 9.81           |
| 54001                     | 54500 | 9.81           |
| 54501                     | 55250 | 9.83           |
| 55251                     | 55750 | 9.83           |
| 55751                     | 56500 | 9.85           |
| 56501                     | 57250 | 9.86           |
| 57251                     | 57750 | 9.86           |
| 57751                     | 58500 | 9.88           |
| 58501                     | 59000 | 9.88           |
| 59001                     | 59750 | 9.89           |
| 59751                     | 60250 | 9.90           |
| 60251                     | 61000 | 9.91           |
| 61001                     | 61750 | 9.93           |
| 61751                     | 62250 | 9.93           |
| 62251                     | 63000 | 9.94           |
| 63001                     | 63500 | 9.95           |
| 63501                     | 64250 | 9.96           |
| 64251                     | 64750 | 9.97           |
| 64751                     | 65500 | 9.98           |
| 65501                     | 66250 | 9.99           |
| 66251                     | 66750 | 10.00          |
| 66751                     | 67500 | 10.01          |
| 67501                     | 68000 | 10.02          |
| 68001                     | 68750 | 10.03          |
| 68751                     | 69250 | 10.04          |
| 69251                     | 70000 | 10.05          |
| 70001                     | 70750 | 10.06          |
| 70751                     | 71250 | 10.07          |
| 71251                     | 72000 | 10.08          |
| 72001                     | 72500 | 10.09          |
| 72501                     | 73250 | 10.10          |
| 73251                     | 73750 | 10.11          |
| 73751                     | 74500 | 10.12          |
| 74501                     | 75250 | 10.13          |

| Monthly Total of Prices £ |        | Deduction Rate |
|---------------------------|--------|----------------|
| From                      | To     | %              |
| 75251                     | 75750  | 10.14          |
| 75751                     | 76500  | 10.15          |
| 76501                     | 77000  | 10.16          |
| 77001                     | 77750  | 10.17          |
| 77751                     | 78250  | 10.18          |
| 78251                     | 79000  | 10.19          |
| 79001                     | 79750  | 10.20          |
| 79751                     | 80250  | 10.21          |
| 80251                     | 81000  | 10.22          |
| 81001                     | 81500  | 10.23          |
| 81501                     | 82250  | 10.24          |
| 82251                     | 82750  | 10.25          |
| 82751                     | 83500  | 10.26          |
| 83501                     | 84250  | 10.27          |
| 84251                     | 84750  | 10.28          |
| 84751                     | 85500  | 10.29          |
| 85501                     | 86000  | 10.29          |
| 86001                     | 86750  | 10.31          |
| 86751                     | 87250  | 10.31          |
| 87251                     | 88000  | 10.33          |
| 88001                     | 88750  | 10.34          |
| 88751                     | 89250  | 10.34          |
| 89251                     | 90000  | 10.36          |
| 90001                     | 90500  | 10.36          |
| 90501                     | 91250  | 10.37          |
| 91251                     | 91750  | 10.38          |
| 91751                     | 92500  | 10.39          |
| 92501                     | 93250  | 10.41          |
| 93251                     | 93750  | 10.41          |
| 93751                     | 94500  | 10.42          |
| 94501                     | 95000  | 10.43          |
| 95001                     | 95500  | 10.44          |
| 95501                     | 96000  | 10.45          |
| 96001                     | 96500  | 10.45          |
| 96501                     | 97000  | 10.46          |
| 97001                     | 97500  | 10.47          |
| 97501                     | 98000  | 10.48          |
| 98001                     | 98500  | 10.49          |
| 98501                     | 99000  | 10.49          |
| 99001                     | 99500  | 10.50          |
| 99501                     | 100000 | 10.51          |
| 100001                    | 100500 | 10.52          |
| 100501                    | 101000 | 10.52          |



| Monthly Total of Prices £ |        | Deduction Rate |
|---------------------------|--------|----------------|
| From                      | To     | %              |
| 101001                    | 101500 | 10.53          |
| 101501                    | 102000 | 10.54          |
| 102001                    | 102750 | 10.55          |
| 102751                    | 103250 | 10.56          |
| 103251                    | 103750 | 10.57          |
| 103751                    | 104250 | 10.57          |
| 104251                    | 104750 | 10.58          |
| 104751                    | 105250 | 10.59          |
| 105251                    | 105750 | 10.60          |
| 105751                    | 106250 | 10.60          |
| 106251                    | 106750 | 10.61          |
| 106751                    | 107250 | 10.62          |
| 107251                    | 107750 | 10.63          |
| 107751                    | 108250 | 10.63          |
| 108251                    | 108750 | 10.64          |
| 108751                    | 109250 | 10.65          |
| 109251                    | 109750 | 10.66          |
| 109751                    | 110500 | 10.67          |
| 110501                    | 111000 | 10.68          |
| 111001                    | 111500 | 10.68          |
| 111501                    | 112000 | 10.69          |
| 112001                    | 112500 | 10.70          |
| 112501                    | 113000 | 10.71          |
| 113001                    | 113500 | 10.71          |
| 113501                    | 114000 | 10.72          |
| 114001                    | 114500 | 10.73          |
| 114501                    | 115000 | 10.74          |
| 115001                    | 115500 | 10.74          |
| 115501                    | 116000 | 10.75          |
| 116001                    | 116500 | 10.76          |
| 116501                    | 117000 | 10.77          |
| 117001                    | 117500 | 10.77          |
| 117501                    | 118000 | 10.78          |
| 118001                    | 118750 | 10.79          |
| 118751                    | 119250 | 10.80          |
| 119251                    | 119750 | 10.81          |
| 119751                    | 120250 | 10.82          |
| 120251                    | 120750 | 10.82          |
| 120751                    | 121250 | 10.83          |
| 121251                    | 121750 | 10.84          |
| 121751                    | 122250 | 10.85          |
| 122251                    | 122750 | 10.85          |
| 122751                    | 123250 | 10.86          |

| Monthly Total of Prices £ |        | Deduction Rate |
|---------------------------|--------|----------------|
| From                      | To     | %              |
| 123251                    | 123750 | 10.87          |
| 123751                    | 124250 | 10.88          |
| 124251                    | 124750 | 10.89          |
| 124751                    | 125250 | 10.89          |
| 125251                    | 125750 | 10.90          |
| 125751                    | 126500 | 10.91          |
| 126501                    | 127000 | 10.92          |
| 127001                    | 127500 | 10.93          |
| 127501                    | 128000 | 10.93          |
| 128001                    | 128500 | 10.94          |
| 128501                    | 129000 | 10.95          |
| 129001                    | 129500 | 10.96          |
| 129501                    | 130000 | 10.97          |
| 130001                    | 130500 | 10.97          |
| 130501                    | 131000 | 10.98          |
| 131001                    | 131500 | 10.99          |
| 131501                    | 132000 | 11.00          |
| 132001                    | 132500 | 11.00          |
| 132501                    | 133000 | 11.01          |
| 133001                    | 133500 | 11.02          |
| 133501                    | 134000 | 11.03          |
| 134001                    | 134750 | 11.04          |
| 134751                    | 135250 | 11.05          |
| 135251                    | 135750 | 11.05          |
| 135751                    | 136250 | 11.06          |
| 136251                    | 136750 | 11.07          |
| 136751                    | 137250 | 11.08          |
| 137251                    | 137750 | 11.08          |
| 137751                    | 138250 | 11.09          |
| 138251                    | 138750 | 11.10          |
| 138751                    | 139250 | 11.11          |
| 139251                    | 139750 | 11.11          |
| 139751                    | 140250 | 11.12          |
| 140251                    | 140750 | 11.13          |
| 140751                    | 141250 | 11.14          |
| 141251                    | 141750 | 11.14          |
| 141751                    | 142500 | 11.16          |
| 142501                    | 143000 | 11.16          |
| 143001                    | 143500 | 11.17          |
| 143501                    | 144000 | 11.18          |
| 144001                    | 144500 | 11.19          |
| 144501                    | 145000 | 11.19          |
| 145001                    | 145500 | 11.20          |

| Monthly Total of Prices £ |        | Deduction Rate |
|---------------------------|--------|----------------|
| From                      | To     | %              |
| 145501                    | 146000 | 11.21          |
| 146001                    | 146500 | 11.22          |
| 146501                    | 147000 | 11.22          |
| 147001                    | 147500 | 11.23          |
| 147501                    | 148000 | 11.24          |
| 148001                    | 149000 | 11.25          |

| Monthly Total of Prices £ |         | Deduction Rate |
|---------------------------|---------|----------------|
| From                      | To      | %              |
| 149001                    | 150000  | 11.27          |
| 150001                    | 160000  | 11.42          |
| 160001                    | & above | 11.50          |

**Subject to change, which may arise as a result of discussions with CPNI on implementation of the Northern Ireland Drug Tariff.**

Part VII

**List Of Drugs And Threshold Above Which An Additional Fee Will Be Paid**

|  |     |                                   |     |
|--|-----|-----------------------------------|-----|
| Acepril Tablets 12.5mg.....            | 102 | Anafranil Capsules 25mg.....      | 110 |
| Acepril Tablets 25mg.....              | 123 | Anafranil Capsules 50mg.....      | 92  |
| Acepril Tablets 50mg.....              | 132 | Anafranil SR Tablets 75mg.....    | 53  |
| Acetazolamide Tablets 250mg.....       | 91  | Androcur Tablets 50mg.....        | 127 |
| Achromycin Capsules 250mg.....         | 49  | Antabuse 200 Tablets.....         | 65  |
| Aciclovir Tablets Disp 200mg.....      | 35  | Antepsin Tablets 1g.....          | 138 |
| Aciclovir Tablets Disp 800mg.....      | 47  | Anturan Tablets 100mg.....        | 135 |
| Acupan Tablets 30mg.....               | 133 | Anturan Tablets 200mg.....        | 160 |
| Adalat Capsules 10mg.....              | 146 | Apisate Tablets.....              | 55  |
| Adalat 5 Capsules.....                 | 131 | Apresoline Tablets 25mg.....      | 133 |
| Adalat LA 30 Tablets.....              | 60  | Apresoline Tablets 50mg.....      | 135 |
| Adalat Retard 10 Tablets.....          | 105 | Aprinox Tablets 2.5mg.....        | 53  |
| Adalat Retard Tablets 20mg.....        | 115 | Aprinox Tablets 5mg.....          | 56  |
| Adifax Capsules 15 mg.....             | 80  | Apsifen Tablets 600mg.....        | 95  |
| Aldactide 25 Tablets.....              | 81  | Artane Tablets 2mg.....           | 122 |
| Aldactide 50 Tablets.....              | 68  | Artane Tablets 5mg.....           | 116 |
| Aldactone Tablets 100mg.....           | 57  | Arthrotec Tablets.....            | 79  |
| Aldactone Tablets 25mg.....            | 98  | Asacol Tablets 400 mg.....        | 197 |
| Aldactone Tablets 50mg.....            | 65  | Ascorbic acid Tablets 25mg.....   | 83  |
| Aldomet Tablets 125mg.....             | 125 | Ascorbic acid Tablets 50mg.....   | 99  |
| Aldomet Tablets 250mg.....             | 142 | Ascorbic acid Tablets 100mg.....  | 95  |
| Aldomet Tablets 500mg.....             | 140 | Ascorbic acid Tablets 200mg.....  | 88  |
| Allegron Tablets 25mg.....             | 115 | Ascorbic acid Tablets 500mg.....  | 100 |
| Allopurinol Tablets 100mg.....         | 92  | Aspirin Nuseal 300mg.....         | 67  |
| Allopurinol Tablets 300mg.....         | 62  | Aspirin Nuseal 600mg.....         | 120 |
| Almodan Capsules 250mg.....            | 29  | Aspirin Tablets 75mg.....         | 79  |
| Aloxiprin Tablets 600mg.....           | 165 | Aspirin Tablets 300mg.....        | 69  |
| Alrheumat Capsules 50mg.....           | 120 | Aspirin Tablets disp 75mg.....    | 65  |
| Alu-Cap Capsules 475mg.....            | 283 | Aspirin Tablets disp 300mg.....   | 70  |
| Aluminium Hydroxide Tablets 500mg..... | 145 | Astemizole Tablets 10mg.....      | 47  |
| Alupent Tablets 20mg.....              | 129 | Atarax Tablets 10mg.....          | 84  |
| Ambaxin Tablets 400mg.....             | 24  | Atarax Tablets 25mg.....          | 76  |
| Amfipen Capsules 250mg.....            | 33  | Atenolol Tablets 25mg.....        | 62  |
| Amilco Tablets.....                    | 64  | Atenolol Tablets 50mg.....        | 63  |
| Amiloride Tablets 5mg.....             | 64  | Atenolol Tablets 100mg.....       | 62  |
| Aminoglutethimide Tablets 250mg.....   | 120 | Atromid-S Capsules 500mg.....     | 154 |
| Aminophylline Tablets 100mg.....       | 109 | Augmentin Tablets disp.....       | 30  |
| Amiodarone Tablets 100mg.....          | 63  | Augmentin Tablets 375mg.....      | 29  |
| Amitriptyline Tablets 10mg.....        | 86  | Avloclor Tablets 250mg.....       | 48  |
| Amitriptyline Tablets 25mg.....        | 92  | Avomine Tablets 25mg.....         | 68  |
| Amitriptyline Tablets 50mg.....        | 79  | Axid Capsules 150mg.....          | 71  |
| Amix - 250 Capsules.....               | 29  | Azathioprine Tablets 50mg.....    | 110 |
| Amoram Capsules 250 mg.....            | 27  | Baclofen Tablets 10mg.....        | 164 |
| Amoxil Capsules 250mg.....             | 28  | Bactrim drapsule.....             | 35  |
| Amoxil Capsules 500mg.....             | 28  | Baratol Tablets 25mg.....         | 116 |
| Amoxil Tablets disp 500mg.....         | 26  | Baxan Capsules 500mg.....         | 22  |
| Amoxicillin Capsules 250mg.....        | 27  | Baycaron Tablets 25mg.....        | 68  |
| Amoxicillin Capsules 500mg.....        | 27  | Bendogen Tablets 10mg.....        | 155 |
| Ampicillin Capsules 250mg.....         | 34  | Bendrofluazide Tablets 2.5mg..... | 63  |
| Ampicillin Capsules 500mg.....         | 33  | Bendrofluazide Tablets 5mg.....   | 62  |
| Amytal Tablets 50mg.....               | 120 | Benemid Tablets 500mg.....        | 109 |
| Anafranil Capsules 10mg.....           | 105 | Benoral Tablets 750mg.....        | 166 |

**Part VII List of Drugs and Threshold Above Which an Additional Fee Will Be Paid**

|  |     |                                       |     |
|--|-----|---------------------------------------|-----|
| Benorylate Tablets 750mg.....              | 150 | Catapres Tablets 0.1mg .....          | 139 |
| Beta- Adalat Capsules.....                 | 77  | Caved S Tablets .....                 | 157 |
| Beta-Cardone Tablets 40mg .....            | 118 | Cedocard Retard Tablets 20mg.....     | 108 |
| Beta-Cardone Tablets 80mg .....            | 87  | Cedocard Retard Tablets 40mg.....     | 100 |
| Betahistine Hydrochloride Tablets 8mg..... | 138 | Cedocard Tablets 5mg .....            | 127 |
| Betaloc Tablets 100mg.....                 | 105 | Cedocard-10 Tablets 10mg .....        | 153 |
| Betaloc Tablets 50mg.....                  | 103 | Cedocard-20 Tablets 20mg .....        | 121 |
| Betaloc-SA Tablets.....                    | 66  | Cefaclor Capsules 250mg .....         | 28  |
| Bethanidine sulph Tablets 10mg .....       | 155 | Cefaclor Capsules 500mg .....         | 28  |
| Betim Tablets 10mg.....                    | 92  | Cefalexin Capsules 250mg.....         | 33  |
| Betnelan Tablets 0.5mg.....                | 71  | Cefalexin Capsules 500mg.....         | 29  |
| Betnesol Tablets 0.5mg.....                | 67  | Cefalexin Tablets 250mg.....          | 33  |
| Bezalip Tablets 200mg.....                 | 136 | Cefalexin Tablets 500mg.....          | 28  |
| Bezalip Mono Tablets 400mg.....            | 58  | Celecol Tablets 200mg.....            | 64  |
| Bisacodyl Tablets 5mg (e/c) .....          | 84  | Celevac Tablets .....                 | 212 |
| Blocadren Tablets 10mg.....                | 92  | Ceporex Capsules 250mg .....          | 34  |
| Bolvidon Tablets 10mg.....                 | 87  | Ceporex Capsules 500mg .....          | 30  |
| Bolvidon Tablets 20mg.....                 | 67  | Ceporex Tablets 250mg .....           | 34  |
| Bradosol Lozenges.....                     | 45  | Ceporex Tablets 500mg .....           | 30  |
| Brevinor Tablets .....                     | 131 | Charcoal Tablets 34.....              | 182 |
| Bricanyl SA Tablets .....                  | 81  | Chloractil Tablets 25mg .....         | 109 |
| Bricanyl Tablets 5mg .....                 | 116 | Chloractil Tablets 50mg.....          | 107 |
| Bromocriptine Tablets BP 2.5mg.....        | 126 | Chloractil Tablets 100mg.....         | 103 |
| Brufen Tablets 200mg .....                 | 122 | Chlordiazepoxide Capsules 5mg.....    | 87  |
| Brufen Tablets 400mg .....                 | 110 | Chlordiazepoxide Capsules 10mg.....   | 105 |
| Brufen Tablets 600mg .....                 | 107 | Chlordiazepoxide Tablets 5mg .....    | 94  |
| Brufen Retard Tablets 800mg .....          | 73  | Chlordiazepoxide Tablets 10mg .....   | 93  |
| Buccastem Tablets .....                    | 39  | Chlordiazepoxide Tablets 25mg .....   | 97  |
| Burinex-A Tablets .....                    | 61  | Chlorpheniramine Tablets 4mg.....     | 69  |
| Burinex K Tablets .....                    | 72  | Chlorpromazine Tablets 25mg.....      | 109 |
| Burinex Tablets 1mg.....                   | 81  | Chlorpromazine Tablets 50mg.....      | 107 |
| Burinex Tablets 5mg.....                   | 60  | Chlorpromazine Tablets 100mg.....     | 103 |
| Buscopan Tablets.....                      | 82  | Chlorpropamide Tablets 100mg .....    | 85  |
| Buspar Tablets 5mg .....                   | 84  | Chlorpropamide Tablets 250mg .....    | 79  |
| Cafergot Tablets.....                      | 51  | Choledyl Tablets 100mg.....           | 126 |
| Calcichew Tablets 1.25g .....              | 124 | Choledyl Tablets 200mg.....           | 132 |
| Calciferol Tablets high strength.....      | 92  | Cimetidine Tablets 200mg.....         | 110 |
| Calciferol Tablets strong 50000u.....      | 69  | Cimetidine Tablets 400mg.....         | 81  |
| Calcium gluconate Tablets 600mg .....      | 128 | Cimetidine Tablets 800mg.....         | 53  |
| Calcium lactate Tablets 300mg .....        | 126 | Cinnarizine Tablets 15mg.....         | 122 |
| Calcium and Ergocalciferol Tablets.....    | 96  | Cinobac Capsules 500mg.....           | 24  |
| Camcolit Tablets 250mg.....                | 144 | Ciproxin Tablets 250mg.....           | 27  |
| Camcolit Tablets 400mg.....                | 91  | Ciproxin Tablets 500mg.....           | 19  |
| Capoten Tablets 12.5mg .....               | 101 | Clarityn Tablets 10mg.....            | 43  |
| Capoten Tablets 25mg .....                 | 123 | Clemastine Tablets 1mg.....           | 64  |
| Capoten Tablets 50mg .....                 | 121 | Clinoril Tablets 100mg .....          | 124 |
| Capozide Tablets.....                      | 71  | Clinoril Tablets 200mg .....          | 93  |
| Captopril Tablets 25mg .....               | 119 | Clobazam Capsules 10mg.....           | 97  |
| Captopril Tablets 50mg .....               | 132 | Clomid Tablets 50mg.....              | 30  |
| Carace Tablets 5mg .....                   | 65  | Clomifene Tablets 50mg.....           | 30  |
| Carace Tablets 10mg .....                  | 64  | Co-amilofruse Tablets 2.5/20.....     | 52  |
| Carbamazepine Tablets 100mg .....          | 136 | Co-amilofruse Tablets 5/40.....       | 64  |
| Carbamazepine Tablets 200mg .....          | 141 | Co-amilozide Tablets 2.5/25 .....     | 60  |
| Carbamazepine Tablets 400mg .....          | 113 | Co-amilozide Tablets 5/50 .....       | 62  |
| Cardene Capsules 20mg.....                 | 136 | Co-Betaloc Tablets .....              | 77  |
| Cardene Capsules 30mg.....                 | 128 | Co-codamol Tablets 8mg/500mg.....     | 128 |
| Cardura Tablets 1mg .....                  | 68  | Co codamol Tablets eff 8mg/500mg..... | 138 |
| Cardura Tablets 2mg.....                   | 70  | Co-codaprin Tablets .....             | 122 |
| Catapres Perlongets 0.25mg.....            | 77  | Co-codaprin Tablets disp.....         | 113 |
| Catapres Tablets 0.3mg .....               | 144 | Codafen continus Tablets .....        | 95  |

**Part VII List of Drugs and Threshold Above Which an Additional Fee Will Be Paid**

|  |     |   |     |
|--|-----|---|-----|
| Co-danthrusate Capsules.....             | 79  | Diamox Tablets 250mg.....                 | 91  |
| Codeine phosphate Tablets 15mg .....     | 101 | Diazepam Tablets 2mg.....                 | 75  |
| Codeine phosphate Tablets 30mg .....     | 117 | Diazepam Tablets 5mg.....                 | 69  |
| Codeine phosphate Tablets 60mg .....     | 134 | Diazepam Tablets 10mg.....                | 57  |
| Co-dydramol Tablets .....                | 133 | Dibenyline Capsules 10mg.....             | 90  |
| Cogentin Tablets 2mg .....               | 75  | Diclofenac sodium Tablets 25mg(e/c) ..... | 108 |
| Colchicine Tablets 0.5mg .....           | 90  | Diclofenac sodium Tablets 50mg(e/c) ..... | 98  |
| Colofac Tablets 135mg.....               | 115 | Diclofenac sodium Tablets 75mg(m/r).....  | 68  |
| Colpermin Capsules 0.2ml .....           | 126 | Diclomax retard Capsules 100mg.....       | 44  |
| Concordin Tablets 10mg .....             | 124 | Diconal Tablets .....                     | 63  |
| Concordin Tablets 5mg .....              | 106 | Dicycne Tablets 500mg.....                | 53  |
| Conova 30 Tablets .....                  | 136 | Diflucan Capsules 150mg.....              | 2   |
| Co-phenotrope Tablets 2.5/0.025.....     | 72  | Diflunisal Tablets 250mg .....            | 103 |
| Co-proxamol Tablets .....                | 144 | Diflunisal Tablets 500 mg .....           | 76  |
| Coracten Capsules 10mg.....              | 98  | Digoxin Tablets 62.5mcg .....             | 65  |
| Coracten Capsules 20mg.....              | 107 | Digoxin Tablets 125mcg .....              | 60  |
| Cordarone X Tablets 200mg .....          | 57  | Digoxin Tablets 250mcg.....               | 61  |
| Cordilox Tablets 120mg.....              | 138 | Dihydrocodeine Tablets 30mg.....          | 113 |
| Cordilox Tablets 160mg.....              | 98  | Diltiazem HCL Tablets 60mg .....          | 141 |
| Cordilox Tablets 40mg.....               | 146 | Diltiazem HCL Tablets 90mg(m/r) .....     | 99  |
| Cordilox Tablets 80mg.....               | 139 | Dimotane LA Tablets 12mg .....            | 65  |
| Corgard Tablets 40mg.....                | 76  | Dimotane Tablets 4mg.....                 | 68  |
| Corgard Tablets 80mg.....                | 74  | Dindevan Tablets 10mg.....                | 153 |
| Corgaretic Tablets 40mg .....            | 70  | Dindevan Tablets 50mg.....                | 146 |
| Corgaretic Tablets 80mg .....            | 64  | Dipyridamole Tablets 25mg .....           | 195 |
| Corlan pellets.....                      | 41  | Dipyridamole Tablets 100mg .....          | 148 |
| Cortisone acetate MSD Tablets 25mg ..... | 93  | Disipal Tablets 50mg .....                | 127 |
| Cortistab Tablets 5mg .....              | 198 | Disopyramide Capsules 100mg.....          | 142 |
| Cortistab Tablets 25mg .....             | 93  | Distaclor Capsules 250mg.....             | 28  |
| Cortisyl Tablets 25mg.....               | 93  | Distaclor Capsules 500mg.....             | 28  |
| Co-trimoxazole Tablets.....              | 40  | Distaclor MR Tablets 375mg .....          | 18  |
| Co-trimoxazole Tablets disp.....         | 40  | Distamine Tablets 125mg .....             | 114 |
| Co-trimoxazole Tablets 160/800 .....     | 22  | Distamine Tablets 250mg.....              | 98  |
| Cyclophosphamide Tablets 50mg .....      | 84  | Ditropan Tablets 2.5mg .....              | 104 |
| Cytotec Tablets 200 microgram .....      | 106 | Ditropan Tablets 5mg .....                | 100 |
| Dalacin C Capsules 150mg.....            | 38  | Diumide-K Tablets .....                   | 63  |
| Daneral SA Tablets .....                 | 57  | Diurexan Tablets 20mg.....                | 63  |
| Danol Capsules 100mg .....               | 86  | Dixarit Tablets 0.025mg.....              | 164 |
| Danol Capsules 200mg .....               | 81  | Dolmatil Tablets 200mg.....               | 118 |
| Dantrium Capsules 25mg.....              | 180 | Dolobid Tablets 250mg.....                | 103 |
| Daonil Tablets 5mg.....                  | 109 | Dolobid 500 Tablets .....                 | 76  |
| Dapsone Tablets 50mg .....               | 102 | Domical Tablets 50mg .....                | 72  |
| Dapsone Tablets 100mg .....              | 81  | Doralese Tiltab 20mg.....                 | 84  |
| Daraprim Tablets .....                   | 30  | Dosulepin Capsules 25mg.....              | 90  |
| De-Nol Tablets 120mg.....                | 156 | Dosulepin Tablets 75mg.....               | 57  |
| Decadron Tablets 0.5mg .....             | 133 | Doxycycline Capsules 100mg.....           | 15  |
| Declinax Tablets 10mg.....               | 127 | Dramamine Tablets 50mg .....              | 94  |
| Deltacortril Tablets ec 2.5mg.....       | 108 | Duphaston Tablets 10mg.....               | 96  |
| Deltacortril Tablets ec 5mg.....         | 85  | Duromine Capsules 15mg .....              | 47  |
| Dequadin Lozenges.....                   | 48  | Duromine Capsules 30mg .....              | 45  |
| Deseril Tablets 1mg.....                 | 128 | Dyazide Tablets 50mg .....                | 62  |
| Deteclo Tablets 300mg.....               | 27  | Dytac Capsules 50mg.....                  | 80  |
| Dexamethasone Tablets 500mcg.....        | 133 | Dytide Capsules.....                      | 70  |
| Dexedrine Tablets 5mg .....              | 76  | Economycin Capsules 250mg .....           | 49  |
| Dextropropoxyphene Capsules 60mg .....   | 106 | Efamast Capsules 40mg.....                | 289 |
| DHC Continus Tablets 60mg.....           | 84  | Effercitrate Tablets.....                 | 66  |
| Diabinese Tablets 100mg.....             | 91  | Elantan 10 Tablets .....                  | 113 |
| Diabinese Tablets 250mg.....             | 89  | Elantan Tablets 20mg.....                 | 111 |
| Diamicron Tablets 80mg.....              | 96  | Elantan Tablets 40mg.....                 | 113 |
| Diamorphine HCL Tablets 10mg.....        | 170 | Elantan LA 50 Capsules .....              | 54  |

## Part VII List of Drugs and Threshold Above Which an Additional Fee Will Be Paid

|   |     |  |     |
|---|-----|--|-----|
| Eldepryl Tablets 5mg.....                 | 83  | Flagyl Tablets 200mg .....               | 29  |
| Eltroxin Tablets 50mcg.....               | 107 | Flagyl Tablets 400mg .....               | 27  |
| Eltroxin Tablets 100mcg.....              | 80  | Florinef Tablets 0.1mg.....              | 68  |
| Emflex Capsules 60mg.....                 | 84  | Floxapen Capsules 250mg.....             | 39  |
| Enalapril Maleate Tablets 5mg.....        | 75  | Floxapen Capsules 500mg.....             | 34  |
| Enalapril Maleate Tablets 10mg.....       | 72  | Fluanxol Tablets 0.5mg .....             | 73  |
| Endoxana Tablets 50mg.....                | 84  | Fluanxol Tablets 1mg .....               | 59  |
| Epanutin Capsules 25mg .....              | 90  | Flucloxacillin Capsules 250mg .....      | 39  |
| Epanutin Capsules 50mg .....              | 100 | Flucloxacillin Capsules 500mg .....      | 43  |
| Epanutin Capsules 100mg .....             | 142 | Flurbiprofen Tablets 50mg.....           | 120 |
| Ephedrine HCL Tablets 30mg .....          | 114 | Flurbiprofen Tablets 100mg.....          | 112 |
| Ephynal Tablets 200mg.....                | 130 | Folic acid Tablets 5mg.....              | 70  |
| Ephynal Tablets 50mg.....                 | 137 | Franol plus Tablets .....                | 135 |
| Epilim Tablets crushable 100mg .....      | 205 | Franol Tablets.....                      | 127 |
| Epilim Tablets ec 200mg .....             | 188 | Froben Tablets 100mg.....                | 112 |
| Epilim Tablets ec 500mg .....             | 155 | Froben Tablets 50mg.....                 | 120 |
| Epogram Capsules .....                    | 267 | Froben SR Capsules 200mg .....           | 50  |
| Equanil Tablets 200mg.....                | 102 | Frumil LS Tablets.....                   | 52  |
| Equanil Tablets 400mg.....                | 104 | Frumil Tablets .....                     | 64  |
| Ergometrine Tablets 500mcg .....          | 22  | Frusene Tablets 40mg.....                | 65  |
| Erymax Capsules 250mg .....               | 41  | Fucidin Tablets ec 250mg.....            | 95  |
| Erythrocin Tablets 250mg.....             | 38  | Fulcin Tablets 125mg .....               | 155 |
| Erythrocin 500 Tablets.....               | 26  | Fulcin Tablets 500mg .....               | 75  |
| Erythromid Tablets 250mg .....            | 39  | Fungilin Lozenges 10mg.....              | 53  |
| Erythromycin Stearate Tablets 250mg ..... | 38  | Furadantin Tablets 100mg.....            | 45  |
| Erythromycin Stearate Tablets 500mg ..... | 26  | Furadantin Tablets 50mg.....             | 66  |
| Erythromycin Tablets 250mg (e/c) .....    | 43  | Furosemide Tablets 20mg .....            | 58  |
| Erythromycin Tablets 500mg.....           | 32  | Furosemide Tablets 40mg .....            | 75  |
| Erythroped A Tablets 500mg.....           | 37  | Furosemide Tablets 500mg .....           | 43  |
| Esidrex Tablets 50mg.....                 | 61  | Galenamox Capsules 250mg .....           | 48  |
| Ethinylloestradiol Tablets 10mcg.....     | 91  | Galpseud Tablets 60mg.....               | 27  |
| Euglucon Tablets 2.5mg.....               | 90  | Gamanil Tablets 70mg.....                | 78  |
| Euglucon Tablets 5mg.....                 | 109 | Gastrocote Tablets .....                 | 153 |
| Eugynon 30 Tablets.....                   | 133 | Gastrozepin Tablets 50mg.....            | 93  |
| Exirel Capsules 15mg.....                 | 125 | Gaviscon Tablets .....                   | 138 |
| Exirel Tablets 10mg.....                  | 121 | Glibenclamide Tablets 2.5mg .....        | 77  |
| Famotidine Tablets 40mg.....              | 52  | Glibenclamide Tablets 5mg .....          | 115 |
| Fansidar Tablets.....                     | 18  | Glibenese Tablets 5mg.....               | 118 |
| Farlital Tablets 100mg.....               | 134 | Glicazide Tablets BP 80mg .....          | 96  |
| Fectrim Tablets forte.....                | 22  | Glipizide Tablets 5mg .....              | 143 |
| Feldene Capsules 10mg.....                | 87  | Glucophage Tablets 850mg.....            | 104 |
| Feldene Capsules 20mg.....                | 52  | Glucophage Tablets 500mg.....            | 124 |
| Feldene Tablets disp 10mg .....           | 61  | Glurenorm Tablets 30mg.....              | 133 |
| Feldene Tablets disp 20mg .....           | 46  | Glyceril trinitrate Tablets 500mcg ..... | 150 |
| Femulen Tablets .....                     | 154 | Glyceril trinitrate Tablets 600mcg ..... | 150 |
| Fenbid Capsules 300mg.....                | 117 | Grisovin Tablets 500mg.....              | 88  |
| Fenopron Tablets 300mg .....              | 128 | Grisovin Tablets 125mg.....              | 155 |
| Fenopron Tablets 600mg .....              | 105 | Haldol Tablets 5mg.....                  | 101 |
| Fentazin Tablets 2mg.....                 | 107 | Haldol Tablets 10mg.....                 | 124 |
| Fentazin Tablets 4mg.....                 | 122 | Half-Inderal LA Capsules 80mg.....       | 54  |
| Ferrocontin Continus Tablets .....        | 57  | Halibut liver oil Capsules BP.....       | 109 |
| Ferrocontin Folic Continus Tablets.....   | 60  | Haloperidol Capsules BP 500mcg .....     | 99  |
| Ferrograd-Folic Tablets .....             | 62  | Haloperidol Tablets 1.5mg.....           | 115 |
| Ferrograd Tablets 325mg .....             | 58  | Haloperidol Tablets 5mg.....             | 101 |
| Ferrous gluconate Tablets 300mg.....      | 106 | Haloperidol Tablets 10mg.....            | 124 |
| Ferrous sulphate co Tablets.....          | 119 | Harmogen Tablets 1.5mg .....             | 103 |
| Ferrous sulphate Tablets 200mg.....       | 108 | Heminevrin Capsules 192mg.....           | 71  |
| Ferrous sulphate Tablets 300mg.....       | 83  | Hexopal forte Tablets 750mg.....         | 147 |
| Fersaday Tablets.....                     | 53  | Hexopal Tablets 500mg.....               | 153 |
| Fersamal Tablets 200mg.....               | 114 | Hiprex Tablets 1g.....                   | 79  |

**Part VII List of Drugs and Threshold Above Which an Additional Fee Will Be Paid**

|                                     |     |   |     |
|-------------------------------------|-----|---|-----|
| Hismanal Tablets 10mg.....          | 47  | Isordil Tembids 40mg .....                | 116 |
| Honvan Tablets .....                | 102 | Isosorbide dinitrate Tablets 10mg .....   | 155 |
| Hydergine Tablets 1.5mg .....       | 130 | Isosorbide dinitrate Tablets 20mg .....   | 145 |
| Hydergine Tablets 4.5mg .....       | 63  | Isosorbide mononitrate Tablets 10mg ..... | 119 |
| Hydralazine Tablets 25mg.....       | 141 | Isosorbide mononitrate Tablets 20mg ..... | 122 |
| Hydralazine Tablets 50mg.....       | 132 | Isosorbide mononitrate Tablets 40mg ..... | 113 |
| Hydrenox Tablets 50mg .....         | 92  | Istin Tablets 5mg .....                   | 60  |
| Hydrocortistab Tablets 20mg.....    | 93  | Istin Tablets 10mg .....                  | 58  |
| Hydrocortone Tablets 10mg .....     | 142 | Kalspare Tablets.....                     | 56  |
| Hydrocortone Tablets 20mg .....     | 93  | Kalten Capsules.....                      | 65  |
| Hydromet Tablets .....              | 117 | Keflex Capsules 250mg.....                | 33  |
| HydroSaluric Tablets 25mg .....     | 69  | Keflex Capsules 500mg.....                | 29  |
| HydroSaluric Tablets 50mg .....     | 61  | Keflex Tablets 250mg.....                 | 34  |
| Hygroton Tablets 50mg.....          | 69  | Keflex Tablets 500mg.....                 | 29  |
| Hypovase Tablets 0.5mg.....         | 128 | Kelfizine W Tablets 2g.....               | 7   |
| Hypovase Tablets 1mg.....           | 142 | Kemadrin Tablets 5mg.....                 | 106 |
| Hypovase Tablets 2mg.....           | 143 | Kerlone Tablets 20mg.....                 | 47  |
| Hypovase Tablets 5mg.....           | 140 | Ketoprofen Capsules 50mg .....            | 120 |
| Ibuprofen Tablets 200mg.....        | 105 | Ketoprofen Capsules 100mg .....           | 98  |
| Ibuprofen Tablets 400mg.....        | 99  | Ketovite Tablets .....                    | 108 |
| Ibuprofen Tablets 600mg.....        | 94  | Kinidin durules .....                     | 136 |
| Ilosone Capsules 250mg.....         | 36  | Klaricid Tablets 250mg .....              | 21  |
| Imdur Tablets 60mg.....             | 53  | Kloref Tablets.....                       | 175 |
| Imigran Tablets 100mg.....          | 9   | Labetolol Tablets 100mg .....             | 125 |
| Imipramine Tablets 10mg.....        | 104 | Labetolol Tablets 200mg .....             | 135 |
| Imipramine Tablets 25mg.....        | 129 | Labetolol Tablets 400mg .....             | 132 |
| Imodium Capsules 2mg.....           | 61  | Lamisil Tablets 250mg.....                | 45  |
| Imuran Tablets 50mg.....            | 114 | Lanoxin 0.125mg Tablets .....             | 58  |
| Indapamide Tablets 2.5mg.....       | 62  | Lanoxin PG Tablets .....                  | 70  |
| Inderal LA Capsules 160mg .....     | 64  | Lanoxin Tablets 0.25mg .....              | 55  |
| Inderal Tablets 10mg.....           | 142 | Largactil Tablets 100mg .....             | 104 |
| Inderal Tablets 40mg.....           | 122 | Largactil Tablets 10mg .....              | 108 |
| Inderal Tablets 80mg.....           | 137 | Largactil Tablets 25mg .....              | 100 |
| Inderetic Capsules.....             | 86  | Largactil Tablets 50mg .....              | 98  |
| Inderex Capsules.....               | 66  | Lasikal Tablets.....                      | 73  |
| Indocid Capsules 25mg.....          | 118 | Lasilactone Capsules.....                 | 71  |
| Indocid Capsules 50mg.....          | 109 | Lasix Tablets 20mg.....                   | 60  |
| Indocid-R Capsules 75mg .....       | 71  | Lasix Tablets 40mg.....                   | 70  |
| Indolar SR Capsules.....            | 63  | Lasma Tablets 300mg .....                 | 80  |
| Indomethacin Capsules 25mg .....    | 116 | Lasoride Tablets .....                    | 60  |
| Indomethacin Capsules 50mg.....     | 102 | Ledercort Tablets 2mg.....                | 88  |
| Indomod Capsules 75mg.....          | 63  | Ledercort Tablets 4mg.....                | 68  |
| Innovace Tablets 2.5mg .....        | 69  | Lederfen Capsules 300mg.....              | 113 |
| Innovace Tablets 10mg .....         | 72  | Lederfen Tablets 300mg.....               | 125 |
| Innovace Tablets 20mg .....         | 70  | Lederfen 450 Tablets.....                 | 86  |
| Innovace Tablets 5mg .....          | 71  | Lentizol Capsules 25mg .....              | 76  |
| Ionamin Capsules 15mg .....         | 48  | Lentizol Capsules 50mg .....              | 66  |
| Ionamin Capsules 30mg .....         | 47  | Levothyroxine Tablets 25microgram .....   | 95  |
| Ipral Tablets 100mg.....            | 41  | Levothyroxine Tablets 50microgram .....   | 115 |
| Ipral Tablets 200mg.....            | 22  | Levothyroxine Tablets 100microgram .....  | 85  |
| Ismelin Tablets 10mg .....          | 116 | Lioresal Tablets 10mg .....               | 159 |
| Ismelin Tablets 25mg .....          | 91  | Lipostat Tablets 10mg .....               | 60  |
| Ismo 10 Tablets.....                | 115 | Lisinopril Tablets 5mg.....               | 65  |
| Ismo 20 Tablets.....                | 114 | Liskonium Tablets 450mg.....              | 95  |
| Isoket Retard Tablets 20mg .....    | 108 | Livial Tablets 2.5mg.....                 | 103 |
| Isoket Retard Tablets 40mg .....    | 100 | Lodine Capsules 300mg.....                | 81  |
| Isoniazid Tablets 100mg.....        | 122 | Loestrin 20 Tablets .....                 | 126 |
| Isordil Tablets sublingual 5mg..... | 127 | Loestrin 30 Tablets .....                 | 121 |
| Isordil Tablets 10mg .....          | 153 | Lofepramine Tablets 70mg.....             | 78  |
| Isordil Tablets 30mg .....          | 152 | Lomotil Tablets.....                      | 72  |

**Part VII List of Drugs and Threshold Above Which an Additional Fee Will Be Paid**

|   |     |                                       |     |
|---|-----|---------------------------------------|-----|
| Loniten Tablets 10mg .....                      | 134 | Mianserin Tablets 30mg .....          | 62  |
| Loprazolam Tablets 1mg .....                    | 51  | Microgynon 30 Tablets .....           | 133 |
| Lopresor SR Tablets 200mg .....                 | 66  | Micronor Tablets .....                | 152 |
| Lopresor Tablets 100mg .....                    | 105 | Microval Tablets .....                | 178 |
| Lopresor Tablets 50mg .....                     | 103 | Midamor Tablets 5mg .....             | 80  |
| Lopresoretic Tablets .....                      | 79  | Midrid Capsules .....                 | 68  |
| Lorazepam Tablets 1mg .....                     | 79  | Migravele Tablets pink .....          | 46  |
| Lorazepam Tablets 2.5mg .....                   | 90  | Migravele Tablets yellow .....        | 42  |
| Lormetazepam Tablets 1mg .....                  | 56  | Migravess forte Tablets .....         | 57  |
| Losec Capsules 20mg .....                       | 70  | Migravess Tablets .....               | 59  |
| Ludiomil Tablets 25mg .....                     | 80  | Migril Tablets .....                  | 49  |
| Ludiomil Tablets 50mg .....                     | 63  | Minocin Tablets 100mg .....           | 73  |
| Ludiomil Tablets 75mg .....                     | 51  | Minocin Tablets 50mg .....            | 107 |
| Lustral Tablets 50mg .....                      | 52  | Minocin MR Capsules 100mg .....       | 69  |
| Macrochantin Capsules 100mg .....               | 45  | Minocycline HCL Tablets 50mg .....    | 114 |
| Macrochantin Capsules 50mg .....                | 49  | Minodiab Tablets 5mg .....            | 118 |
| Madopar Capsules 125 .....                      | 170 | Mobiflex Tablets 20mg .....           | 46  |
| Madopar Capsules 62.5mg .....                   | 152 | Moditen Tablets 1mg .....             | 68  |
| Madopar caps 250mg .....                        | 148 | Moducuren Tablets .....               | 70  |
| Magnapen Capsules 500mg .....                   | 37  | Moduret 25 Tablets .....              | 60  |
| Magnesium trisilicate co Tablets .....          | 155 | Moduretic Tablets .....               | 66  |
| Marevan Tablets 1mg .....                       | 114 | Molipaxin Capsules 100mg .....        | 89  |
| Marevan Tablets 3mg .....                       | 87  | Molipaxin Capsules 50mg .....         | 83  |
| Marevan Tablets 5mg .....                       | 74  | Monit LS Tablets 10mg .....           | 112 |
| Marplan Tablets 10mg .....                      | 113 | Monit Tablets 20mg .....              | 110 |
| Marvelon Tablets .....                          | 126 | Mono-Cedocard 20 Tablets .....        | 111 |
| Maxolon Tablets 10mg .....                      | 71  | Mono-Cedocard 40 Tablets .....        | 113 |
| Mebeverine Tablets 135mg .....                  | 111 | Monocor Tablets 5mg .....             | 59  |
| Medrone Tablets 4mg .....                       | 69  | Monocor Tablets 10mg .....            | 63  |
| Medroxyprogesterone acetate Tablets 100mg ..... | 134 | Monotrim Tablets 100mg .....          | 38  |
| Mefenamic acid Capsules 250mg .....             | 91  | Monotrim Tablets 200mg .....          | 23  |
| Mefenamic acid Tablets 500mg .....              | 83  | Motilium Tablets 10mg .....           | 78  |
| Melleril Tablets 100mg .....                    | 100 | Motipress Tablets .....               | 51  |
| Melleril Tablets 10mg .....                     | 94  | Motival Tablets .....                 | 90  |
| Melleril Tablets 25mg .....                     | 88  | Motrin Tablets 400mg .....            | 110 |
| Melleril Tablets 50mg .....                     | 89  | Motrin Tablets 600mg .....            | 95  |
| Meprobamate Tablets 200mg .....                 | 91  | MST continus Tablets 10mg .....       | 95  |
| Meprobamate Tablets 400mg .....                 | 95  | MST continus Tablets 30mg .....       | 90  |
| Meptid Tablets 200mg .....                      | 109 | MST continus Tablets 60mg .....       | 92  |
| Merbentyl Tablets 10mg .....                    | 92  | Myambutol 100mg Tablets .....         | 111 |
| Merbentyl 20 Tablets .....                      | 74  | Myambutol 400mg Tablets .....         | 101 |
| Merocaine Lozenges .....                        | 43  | Mycardol Tablets .....                | 141 |
| Merocet Lozenges .....                          | 45  | Mysoline Tablets .....                | 134 |
| Mestinon Tablets .....                          | 251 | Mysteclin Tablets .....               | 44  |
| Metenix 5 Tablets .....                         | 61  | Nacton forte Tablets 4mg .....        | 129 |
| Metformin Tablets 500mg .....                   | 130 | Nacton Tablets 2mg .....              | 141 |
| Metformin Tablets 850mg .....                   | 115 | Neftidrofuryl Capsules BP 100mg ..... | 162 |
| Methotrexate Tablets 2.5mg .....                | 37  | Nalcrom Capsules 100mg .....          | 186 |
| Methyldopa Tablets 125mg .....                  | 125 | Naprosyn Tablets 250mg .....          | 107 |
| Methyldopa Tablets 250mg .....                  | 141 | Naprosyn Tablets 500mg .....          | 90  |
| Methyldopa Tablets 500mg .....                  | 146 | Naprosyn Tablets EC 250mg .....       | 92  |
| Metoclopramide Tablets 10mg .....               | 79  | Naprosyn Tablets EC 500mg .....       | 79  |
| Metoprolol Tablets 50mg .....                   | 102 | Naproxen Tablets 250mg .....          | 99  |
| Metoprolol Tablets 100mg .....                  | 109 | Naproxen Tablets 500mg .....          | 81  |
| Metronidazole Tablets 200mg .....               | 25  | Nardil Tablets .....                  | 114 |
| Metronidazole Tablets 400mg .....               | 28  | Narphen Tablets 5mg .....             | 106 |
| Mexitil Capsules 200mg .....                    | 144 | Natrilix Tablets 2.5mg .....          | 62  |
| Mianserin Tablets 10mg .....                    | 87  | Navidrex Tablets 0.5mg .....          | 69  |
| Mianserin Tablets 20mg .....                    | 67  | Navispare Tablets .....               | 70  |
|   |     | Negram Tablets 500mg .....            | 74  |



**Part VII List of Drugs and Threshold Above Which an Additional Fee Will Be Paid**

|                                       |     |   |     |
|---------------------------------------|-----|---|-----|
| Neo-Mercazole Tablets 5mg .....       | 141 | Oxprenolol Tablets 80mg.....              | 127 |
| Neo-Naclex-K Tablets .....            | 79  | Oxprenolol Tablets 160mg.....             | 93  |
| Neo-Naclex Tablets 5mg.....           | 65  | Oxybutynine Hydro Tablets 5mg .....       | 100 |
| Neocon Tablets .....                  | 123 | Oxytetracycline Capsules 250mg .....      | 50  |
| Neogest Tablets .....                 | 180 | Oxytetracycline Tablets 250mg .....       | 86  |
| Nephril Tablets 1mg .....             | 70  | Palfium Tablets 10mg.....                 | 90  |
| Neulactil Tablets 2.5mg.....          | 131 | Palfium Tablets 5mg .....                 | 75  |
| Nicotinamide Tablets 50mg.....        | 121 | Paludrine Tablets 100mg.....              | 169 |
| Nicotinic acid Tablets 50mg.....      | 152 | Pancrex V Capsules .....                  | 356 |
| Nifedipine Capsules 5mg.....          | 129 | Pancrex V Tablets forte .....             | 514 |
| Nifedipine Capsules 10mg.....         | 142 | Pancrex V Tablets .....                   | 417 |
| Nifensar XL Tablets 20mg.....         | 87  | Paracetamol Tablets 500mg.....            | 136 |
| Nitoman Tablets 25mg .....            | 130 | Paracetamol Tablets sol 500mg.....        | 110 |
| Nitrazepam Tablets 5mg .....          | 63  | Paramax Tablets.....                      | 66  |
| Nitrazepam Tablets 10mg .....         | 58  | Parlodel Capsules 10mg.....               | 135 |
| Nitrocontin Tablets 2.6mg.....        | 95  | Parlodel Tablets 2.5mg.....               | 126 |
| Nitrofurantoin Tablets 50mg .....     | 66  | Parnate Tablets.....                      | 109 |
| Nitrofurantoin Tablets 100mg .....    | 45  | Paroven Capsules 250mg .....              | 136 |
| Nivaquine Tablets 200mg.....          | 34  | Parstelin Tablets .....                   | 101 |
| Nizoral Tablets 200mg.....            | 33  | Penbritin Capsules 250mg.....             | 37  |
| Noctec Capsules 500mg .....           | 60  | Penbritin Capsules 500mg.....             | 36  |
| Nolvadex-D Tablets 20mg .....         | 69  | Pendramine Tablets 125mg.....             | 114 |
| Nolvadex Tablets 10mg.....            | 118 | Pendramine Tablets 250mg.....             | 98  |
| Nordox Capsules 100mg.....            | 14  | Penicillin VK Capsules 250mg.....         | 38  |
| Norethisterone Tablets 5mg .....      | 93  | Penicillin VK Tablets 125mg .....         | 34  |
| Norgeston Tablets .....               | 208 | Penicillin VK Tablets 250mg .....         | 39  |
| Noriday Tablets .....                 | 156 | Pentazocine Capsules 50mg .....           | 101 |
| Norimin Tablets .....                 | 129 | Pentazocine Tablets 25mg .....            | 118 |
| Norinyl-I Tablets.....                | 127 | Pepcid Tablets 40mg .....                 | 52  |
| Norval Tablets 20mg .....             | 67  | Periactin Tablets 4mg .....               | 95  |
| Nuelin SA Tablets 175mg.....          | 98  | Persantin Tablets 100mg.....              | 146 |
| Nuelin SA-250 Tablets.....            | 100 | Persantin Tablets 25mg.....               | 195 |
| Nuelin Tablets 125mg.....             | 126 | Pertofran Tablets 25mg .....              | 143 |
| Nystan Tablets oral.....              | 55  | Pethidine Tablets 50mg .....              | 61  |
| Nystan pastilles .....                | 70  | Phenergan Tablets 10mg .....              | 67  |
| One-alpha Capsules 1mcg.....          | 67  | Phenergan Tablets 25mg .....              | 61  |
| One-alpha Capsules 0.25mcg.....       | 69  | Phenobarbital Tablets 15mg.....           | 115 |
| Opilon Tablets 40mg .....             | 143 | Phenobarbital Tablets 30mg.....           | 128 |
| Optimax WV Tablets 500mg.....         | 143 | Phenobarbital Tablets 60mg.....           | 113 |
| Optimine Tablets 1mg .....            | 62  | Phenobarbital Tablets 100mg.....          | 85  |
| Orap Tablets 2mg.....                 | 99  | Phenytoin Capsules 50mg.....              | 100 |
| Orap Tablets 4mg.....                 | 76  | Phenytoin Capsules 100mg.....             | 142 |
| Orimeten Tablets 250mg.....           | 120 | Phenytoin Tablets 50mg .....              | 107 |
| Orphenadrine Hydro Tablets 50mg ..... | 127 | Phenytoin Tablets 100mg.....              | 149 |
| Ortho-Novin Tablets 1/50 .....        | 123 | Phyllocontin Tablets forte 350mg .....    | 95  |
| Orudis Capsules 100mg.....            | 98  | Phyllocontin Tablets paed.....            | 104 |
| Orudis Capsules 50mg.....             | 120 | Phyllocontin Tablets 225mg.....           | 113 |
| Oruvail 200 Capsules .....            | 49  | Physeptone Tablets 5mg.....               | 48  |
| Oruvail Capsules 100mg .....          | 75  | Piriton Tablets 4mg.....                  | 64  |
| Ossopan 800 Tablets .....             | 135 | Piroxicam Capsules 10mg .....             | 86  |
| Ovran Tablets.....                    | 108 | Piroxicam Capsules 20mg .....             | 50  |
| Ovran-30 Tablets.....                 | 130 | Plaquenil Tablets 200mg .....             | 79  |
| Ovranette Tablets .....               | 137 | Ponderax PA Capsules 60mg.....            | 57  |
| Ovysmen Tablets.....                  | 129 | Pondocillin Tablets 500mg.....            | 18  |
| Oxazepam Capsules 30mg .....          | 83  | Ponstan Capsules 250mg.....               | 89  |
| Oxazepam Tablets 10mg .....           | 82  | Ponstan Tablets forte 500mg.....          | 81  |
| Oxazepam Tablets 15mg .....           | 100 | Potassium chloride Tablets slow 600mg ... | 111 |
| Oxazepam Tablets 30mg .....           | 83  | Potassium Tablets effervescent 1968 ..... | 250 |
| Oxprenolol Tablets 20mg .....         | 129 | Praxilene Capsules 100mg.....             | 162 |
| Oxprenolol Tablets 40mg .....         | 122 | Prednesol Tablets 5mg.....                | 50  |

## Part VII List of Drugs and Threshold Above Which an Additional Fee Will Be Paid

|   |     |                                      |     |
|---|-----|--------------------------------------|-----|
| Prednisolone Tablets 1mg.....             | 145 | Rythmodan Capsules 100mg .....       | 142 |
| Prednisolone Tablets 2.5mg e/c.....       | 98  | Rythmodan Retard Tablets.....        | 92  |
| Prednisolone Tablets 5mg.....             | 83  | Sabril Tablets 500mg.....            | 177 |
| Prednisolone Tablets 5mg e/c.....         | 87  | Salazopyrin EN Tablets .....         | 199 |
| Prednisone Tablets 1mg.....               | 150 | Salazopyrin Tablets .....            | 210 |
| Prednisone Tablets 5mg.....               | 83  | Salbutamol Tablets 2mg.....          | 101 |
| Pregaday Tablets .....                    | 62  | Salbutamol Tablets 4mg.....          | 112 |
| Premarin Tablets 1.25mg.....              | 112 | Saluric Tablets 500mg.....           | 75  |
| Premarin Tablets 2.5mg .....              | 108 | Sando-K Tablets .....                | 130 |
| Premarin Tablets 625mcg .....             | 113 | Sandocal 400 Tablets.....            | 130 |
| Prepulsid Tablets 10mg.....               | 125 | Sandocal 1000 eff Tablets.....       | 65  |
| Prestim Tablets.....                      | 77  | Sanomigran Tablets 0.5mg.....        | 94  |
| Priadel Tablets.....                      | 95  | Sanomigran Tablets 1.5mg.....        | 57  |
| Priadel 200 Tablets.....                  | 98  | Saventrine Tablets 30mg.....         | 148 |
| Primalan Tablets 5mg.....                 | 64  | Secadrex Tablets.....                | 66  |
| Primolut N Tab 5mg.....                   | 93  | Seconal sodium Pulvules 100mg.....   | 92  |
| Primperan Tablets 10mg .....              | 70  | Sectral Capsules 100mg.....          | 113 |
| Pro-Actidil Tablets 10mg .....            | 56  | Sectral Capsules 200mg.....          | 103 |
| Pro-Banthine Tablets 15mg.....            | 119 | Sectral Capsules 400mg.....          | 67  |
| Prochlorperazine maleate Tablets 5mg..... | 82  | Securon Tablets 120mg.....           | 96  |
| Procyclidine Tablets 5mg .....            | 102 | Securon SR Tablets 240mg.....        | 63  |
| Progesic Tablets 200mg.....               | 103 | Semi-Daonil Tablets 2.5mg .....      | 72  |
| Progynova Tablets 1mg.....                | 68  | Senna Tablets 7.5mg.....             | 95  |
| Progynova Tablets 2mg.....                | 77  | Septtrin Tablets disp .....          | 40  |
| Promethazine Hydrochloride Tablets 25mg . | 61  | Septtrin Tablets forte .....         | 22  |
| Propranolol Tablets 10mg .....            | 144 | Septtrin Tablets paed.....           | 74  |
| Propranolol Tablets 40mg .....            | 117 | Septtrin Tablets.....                | 40  |
| Propranolol Tablets 80mg .....            | 128 | Serc Tablets 8mg.....                | 138 |
| Propranolol Tablets 160mg .....           | 127 | Serc 16 Tablets.....                 | 112 |
| Proscar Tablets 5mg .....                 | 50  | Serenace Capsules 0.5mg .....        | 99  |
| Prothiaden Capsules 25mg .....            | 90  | Serenace Tablets 1.5mg.....          | 115 |
| Prothiaden Tablets 75mg .....             | 57  | Serenace Tablets 5mg.....            | 101 |
| Provera Tablets 5mg .....                 | 69  | Serenace Tablets 10mg.....           | 124 |
| Provera Tablets 100mg.....                | 134 | Serophene Tablets 50mg .....         | 30  |
| Pro-Viron Tablets 25mg.....               | 118 | Seroxat Tablets 20mg.....            | 46  |
| Prozac Capsules 20mg .....                | 47  | Simvastatin Tablets 20mg .....       | 67  |
| Pseudoephedrine Tablets 60mg.....         | 55  | Sinemet-Plus Tablets.....            | 172 |
| Pyridoxine Tablets 10mg.....              | 71  | Sinemet-110 Tablets.....             | 161 |
| Pyridoxine Tablets 20mg.....              | 102 | Sinemet-275 Tablets.....             | 140 |
| Pyridoxine Tablets 50mg.....              | 112 | Sinequan Capsules 10mg.....          | 98  |
| Pyrogastrone Tablets .....                | 148 | Sinequan Capsules 25mg.....          | 89  |
| Quinidine sulph Tablets 200mg.....        | 103 | Sinequan Capsules 50mg.....          | 73  |
| Quinine bisulph Tablets 300mg.....        | 60  | Sinequan Capsules 75mg.....          | 52  |
| Quinine sulph Tablets 200mg.....          | 57  | Sinthrome Tablets 1mg.....           | 124 |
| Quinine sulph Tablets 300mg.....          | 55  | Slo-Phyllin 60mg.....                | 96  |
| Ranitidine Tablets BP 150mg.....          | 85  | Slo-Phyllin 125mg.....               | 87  |
| Rastinon Tablets 500mg.....               | 128 | Slo-Phyllin 250mg.....               | 95  |
| Relifex Tablets 500mg.....                | 87  | Slow-Fe Tablets.....                 | 62  |
| Rheumox Capsules 300mg .....              | 101 | Slow-Fe Folic.....                   | 57  |
| Rheumox Tablets 600mg .....               | 84  | Slow-K Tablets 600mg.....            | 114 |
| Rifadin Capsules 300mg .....              | 68  | Slow Trasicor Tablets 160mg .....    | 73  |
| Rifampicin caps 300mg .....               | 68  | Sodium Amytal Pulvules 60mg.....     | 108 |
| Rifinah 300 Tablets.....                  | 93  | Sodium Amytal Pulvules 200mg.....    | 78  |
| Rimactane Capsules 300mg .....            | 68  | Sodium Amytal Tablets 200mg.....     | 81  |
| Rimactazid 300 Tablets.....               | 93  | Sodium Valproate Tablets 100mg ..... | 205 |
| Rivotril Tablets 0.5mg.....               | 117 | Solpadol Capsules.....               | 106 |
| Rivotril Tablets 2mg.....                 | 104 | Solpadol eff Capsules.....           | 112 |
| Robaxin Tablets 750mg.....                | 102 | Soneryl Tablets 100mg.....           | 82  |
| Ronicol Tablets 25mg.....                 | 134 | Soni-Slo Capsules 40mg .....         | 116 |
| Ronicol Timespan Tablets.....             | 89  | Sorbichew Tablets 5mg.....           | 108 |

**Part VII List of Drugs and Threshold Above Which an Additional Fee Will Be Paid**

|                                    |     |   |     |
|------------------------------------|-----|---|-----|
| Sorbid SA Capsules 40mg .....      | 100 | Tavegil Tablets 1mg .....               | 64  |
| Sorbitrate Tablets 10mg .....      | 151 | Tegretol Tablets 100mg.....             | 147 |
| Sorbitrate Tablets 20mg .....      | 141 | Tegretol Tablets 200mg.....             | 159 |
| Sotacor Tablets 160mg .....        | 65  | Tegretol Tablets 400mg.....             | 113 |
| Sotacor Tablets 80mg .....         | 99  | Tegretol Ret 200mg .....                | 144 |
| Sotazide Tablets.....              | 66  | Temazepam Tablets 10mg .....            | 51  |
| Spasmonal Capsules 60mg.....       | 105 | Temazepam Tablets 20mg .....            | 49  |
| Spiroctan Capsules 100mg .....     | 52  | Temgesic Tablets sublingual 0.2mg ..... | 97  |
| Spiroctan Tablets 25mg.....        | 77  | Tenif Capsules .....                    | 75  |
| Spiroctan Tablets 50mg.....        | 69  | Tenoret 50 Tablets.....                 | 65  |
| Spirolone Tablets 25mg.....        | 85  | Tenoretic Tablets .....                 | 64  |
| Spirolone Tablets 50mg.....        | 63  | Tenormin 25 Capsules.....               | 60  |
| Spirolone Tablets 100mg.....       | 61  | Tenormin LS Tablets 50mg .....          | 60  |
| Spirolactone Tablets 25mg.....     | 95  | Tenormin Tablets 100mg.....             | 60  |
| Spirolactone Tablets 50mg.....     | 65  | Tenoxicam Tablets 20mg .....            | 46  |
| Spirolactone Tablets 100mg.....    | 56  | Tenuate dospan Tablets 75mg.....        | 47  |
| Sporanox Capsules 100mg .....      | 12  | Terfenadine Tablets 60mg.....           | 74  |
| Staril Tablets 10mg.....           | 59  | Terfenadine Tablets 120mg.....          | 49  |
| Stelazine span 2mg .....           | 84  | Terramycin Tablets 250mg .....          | 43  |
| Stelazine span 10mg .....          | 70  | Terramycin Capsules 250mg.....          | 50  |
| Stelazine span 15mg .....          | 77  | Tertroxin Tablets 20mcg.....            | 152 |
| Stelazine Tablets 1mg .....        | 102 | Tetrabid-Organon Capsules 250mg .....   | 28  |
| Stelazine Tablets 5mg .....        | 106 | Tetrachel Capsules 250mg.....           | 49  |
| Stemetil Tablets 25mg.....         | 88  | Tetracycline Capsules 250mg .....       | 49  |
| Stemetil Tablets 5mg.....          | 85  | Tetracycline Tablets 250mg.....         | 57  |
| Stiboestrol Tablets 1mg.....       | 130 | Theo-Dur Tablets 200mg.....             | 100 |
| Stiboestrol Tablets 5mg.....       | 105 | Theo-Dur Tablets 300mg.....             | 87  |
| Strepsils lozenge .....            | 44  | Thephorin Tablets 25mg.....             | 82  |
| Stromba Tablets 5mg .....          | 76  | Thiamine HCL Tablets 10mg .....         | 84  |
| Stugeron Capsules forte 75mg.....  | 109 | Thioridazine Tablets BP 50mg.....       | 89  |
| Stugeron Tablets 15mg .....        | 122 | Thioridazine Tablets BP 100mg.....      | 100 |
| Sucralfate Tablets 1g.....         | 138 | Tildiem Tablets 60mg .....              | 152 |
| Sudafed Tablets 60mg .....         | 55  | Tildiem Retard Tablets 90mg.....        | 99  |
| Sudafed plus Tablets .....         | 53  | Tildiem Retard Tablets 120mg.....       | 102 |
| Sulphasalazine Tablets 500mg ..... | 198 | Titralac Tablets .....                  | 156 |
| Sulpiride Tablets 200mg.....       | 118 | Tofranil Tablets 10mg.....              | 108 |
| Suprax Tablets .....               | 12  | Tofranil Tablets 25mg.....              | 119 |
| Surgam Tablets 200mg .....         | 117 | Tolam Tablets 125microgram .....        | 56  |
| Surgam Tablets 300mg .....         | 81  | Tolbutamide Tablets 500mg .....         | 128 |
| Surgam SA Capsules 300mg .....     | 82  | Topal Tablets .....                     | 128 |
| Surmontil Capsules 50mg .....      | 72  | Trancopal Tablets 200mg.....            | 73  |
| Surmontil Tablets 10mg.....        | 85  | Trandate Tablets 100mg.....             | 125 |
| Surmontil Tablets 25mg.....        | 85  | Trandate Tablets 200mg.....             | 135 |
| Suscard Buccal Tablets 1mg.....    | 103 | Trandate Tablets 400mg.....             | 132 |
| Suscard Buccal Tablets 2mg.....    | 114 | Trasicor Tablets 160mg.....             | 124 |
| Suscard Buccal Tablets 5mg.....    | 140 | Trasicor Tablets 20mg .....             | 127 |
| Sustac Tablets 2.6mg.....          | 308 | Trasicor Tablets 40mg .....             | 129 |
| Sustac Tablets 6.4mg.....          | 128 | Trasicor Tablets 80mg .....             | 131 |
| Sustac Tablets 10mg.....           | 125 | Trasidrex Tablets .....                 | 76  |
| Sustamycin Capsules 250mg .....    | 46  | Trental 400 Tablets .....               | 122 |
| Symmetrel Capsules 100mg .....     | 88  | Trihexyphenidyl Tablets 2mg.....        | 125 |
| Synflex Tablets 275mg.....         | 81  | Trihexyphenidyl Tablets 5mg.....        | 116 |
| Tagamet Tablets 400mg.....         | 83  | Triludan Tablets 60mg .....             | 72  |
| Tagamet Tablets 800mg.....         | 46  | Triludan forte Tablets 120mg.....       | 49  |
| Tagamet Tiltab 200mg.....          | 117 | Trimethoprim 100mg.....                 | 42  |
| Tambocor Tablets 100mg.....        | 108 | Trimethoprim 200mg.....                 | 19  |
| Tamoxifen Tablets 10mg.....        | 113 | Trimopan Tablets 200mg.....             | 25  |
| Tamoxifen Tablets 20mg .....       | 75  | Triptafen Tablets.....                  | 99  |
| Tarivid Tablets 200mg.....         | 18  | Triptafen-M Tablets.....                | 100 |
|                                    |     | Tritace Capsules 5mg.....               | 71  |

**Part VII List of Drugs and Threshold Above Which an Additional Fee Will Be Paid**

---

|   |     |                                     |     |
|---|-----|-------------------------------------|-----|
| Tryptizol Capsules 75mg .....           | 57  | Vibramycin Capsules 100mg .....     | 14  |
| Tryptizol Tablets 10mg .....            | 100 | Vibramycin-D Tablets 100mg .....    | 18  |
| Tryptizol Tablets 25mg .....            | 97  | Viskaldix Tablets .....             | 65  |
| Tryptizol Tablets 50mg .....            | 72  | Visken Tablets 15mg .....           | 88  |
| Tuinal Pulvules 100mg .....             | 104 | Visken Tablets 5mg .....            | 116 |
| Tylex Capsules .....                    | 114 | Vitamin A & D Capsules .....        | 87  |
| Tyrozets lozenge .....                  | 48  | Vitamin B co Tablets .....          | 90  |
|   |     | Vitamin B co Tablets strong .....   | 98  |
| Uniphyllin Continus Tablets 300mg ..... | 78  | Vitamin Capsules .....              | 85  |
| Uniphyllin Continus Tablets 400mg ..... | 74  | Volital Tablets 20mg .....          | 109 |
| Uniphyllin Continus Tablets 200mg ..... | 84  | Volmax Tablets 4mg .....            | 73  |
| Urantoin Tablets 100mg .....            | 45  | Volmax Tablets 8mg .....            | 79  |
| Urantoin Tablets 50mg .....             | 66  | Volraman Tablets 50mg .....         | 91  |
| Urispas Tablets 100mg .....             | 160 | Voltarol Retard Tablets 100mg ..... | 51  |
| Utinor Tablets 400mg .....              | 14  | Voltarol SR Tablets 75mg .....      | 68  |
| Utovlan Tablets 5mg .....               | 84  | Voltarol Tablets 25mg .....         | 112 |
| Vallergan Tablets 10mg .....            | 67  | Voltarol Tablets 50mg .....         | 102 |
| Valoid Tablets 50mg .....               | 60  | Warfarin Tablets 1mg .....          | 113 |
| Velosef Capsules 250mg .....            | 36  | Warfarin Tablets 1mg WB .....       | 114 |
| Velosef Capsules 500mg .....            | 33  | Warfarin Tablets 3mg .....          | 86  |
| Ventolin Tablets 2mg .....              | 106 | Warfarin Tablets 3mg WB .....       | 87  |
| Ventolin Tablets 4mg .....              | 117 | Warfarin Tablets 5mg .....          | 76  |
| Verapamil HC1 Tablets 40mg .....        | 152 | Warfarin Tablets 5mg WB .....       | 74  |
| Verapamil HC1 Tablets 80mg .....        | 144 | Zyloric-300 Tablets 300mg .....     | 60  |
| Verapamil HC1 Tablets 120mg .....       | 131 |                                     |     |
| Vibramycin Capsules 50mg .....          | 60  |                                     |     |

## Part VIII

## Technical Specifications

**Note**

These technical specifications are for dressings and other appliances included in the Drug Tariff for which there are at present no official standards published in the BP, BPC or relevant British Standards.

It should be emphasised that any listed dressing or appliance supplied in response to an order on a Health Service prescription must conform with the relevant entry to Part III of the Drug Tariff as well as with any official standard or technical specification identified in that entry.

|  |                   |
|--|-------------------|
| Absorbent Cotton, Hospital quality.....                      | Specification 1   |
| Bandages   |                   |
| Hydrocortisone and Silicone .....                            | Specification 4   |
| Zinc Paste Bandage.....                                      | Specification 5   |
| Catheters, Urethral (Sterile) .....                          | Specification 6   |
| Cervical Collars.....  | Specification 7   |
| Contraceptive Devices .....                                  | Specification 9   |
| Dressings  |                   |
| Absorbent Perforated Plastic Film Faced (sterile) .....      | Specification 10  |
| Sterile Dressing Pack -Drug Tariff No 1 .....                | Specification 11a |
| Sterile Dressing Pack -Drug Tariff No 2 .....                | Specification 11b |
| Sterile Dressing Pack-Drug Tariff No 3 .....                 | Specification 11c |
| Sterile Dressing Pack-Drug Tariff No 4 .....                 | Specification 11d |
| Sterile Knitted Viscose Dressing .....                       | Specification 12  |
| Elastic (Compression) Hosiery.....                           | Specification 13  |
| Suspender Belt.....  | Specification 14  |
| Gauze Tissues  |                   |
| Gauze and Cotton Tissues .....                               | Specification 15  |
| Hypodermic Needles and Syringes                              |                   |
| Hypodermic Needles (Luer Fitting).....                       | Specification 16  |
| Hypodermic Syringes (Luer Fitting) .....                     | Specification 18  |
| Sterile, Single-use, U100 Insulin Syringe with needles ..... | Specification 20  |
| Pessaries .....  | Specification 22  |

Protectives

Disposable EMA Film Gloves .....Specification 23

Stockinette

Elasticated Surgical Tubular Stockinette Foam Padded .....Specification 25

Elastic Net Surgical Tubular Stockinette .....Specification 26

Swabs

Non-Woven Fabric Swab .....Specification 27

Non-Woven Filmated, Fabric Swab .....Specification 28

Trusses ..... Specification 29

Povidone Iodine Fabric Dressing ..... Specification 30

Polyurethane Foam Film Dressing-Sterile ..... Specification 31

Peak Flow Meters ..... Specification 32

**Part IX (a)****List of Preparations Approved by the Department that may be prescribed On Form HS21D by Dentists**

- AS Saliva Orthana Spray (a medical device listed in Part III)  
Aciclovir Cream BP  
Aciclovir Oral Suspension BP 200mg/5ml  
Aciclovir Tablets BP 200mg, 800mg  
Amoxicillin Capsules BP  
Amoxicillin Oral Powder DPF  
Amoxicillin Oral Suspension BP (includes sugar-free formulation)  
Artificial Saliva Gel DPF  
Artificial Saliva Oral Spray DPF  
Artificial Saliva Pastilles DPF  
Artificial Saliva Protective Spray DPF  
Artificial Saliva Substitutes as listed below (to be prescribed only for indications approved by ACBS)  
# AS Saliva Orthana Lozenges  
# Bioextra  
# Glandosane  
# Saliveze  
Aspirin Tablets Dispersible BP  
Azithromycin Capsules 250mg DPF  
Azithromycin Oral Suspension 200mg/5ml DPF  
Azithromycin Tablets 250mg, 500mg DPF
- Beclometasone Pressurised Inhalation BP 50micrograms/metered inhalation CFC-free as: Clenil  
Modulite  
Benzydamine Mouthwash BP 0.15%  
Benzydamine Oromucosal Spray BP 0.15%  
Betamethasone Soluble Tablets 500microgram DPF
- Carbamazepine Tablets BP  
Cefalexin Capsules BP  
Cefalexin Oral Suspension BP  
Cefalexin Tablets BP  
Cefradine Capsules BP  
Cetirizine Oral Solution 5mg/5ml BP  
Cetirizine Tablets 10mg BP  
Chlorhexidine Gluconate Gel BP  
Chlorhexidine Mouthwash BP 0.2% w/v  
Chlorhexidine Oral Spray DPF  
Chlorphenamine Oral Solution BP (includes sugar-free formulation)  
Chlorphenamine Tablets BP  
Choline Salicylate Dental Gel BP  
Clarithromycin Oral Suspension 125mg/5ml DPF  
Clarithromycin Oral Suspension 250mg/5ml DPF  
Clarithromycin Tablets BP  
Clindamycin Capsules BP  
Co-amoxiclav Oral Suspension BP 125/31 (amoxicillin 125mg as trihydrate, clavulanic acid 31.25mg as potassium salt)/5ml (includes sugar-free formulation)  
Co-amoxiclav Oral Suspension BP 250/62 (amoxicillin 250mg as trihydrate, clavulanic acid 62.5mg as potassium salt)/5ml (includes sugar-free formulation)  
Co-amoxiclav Tablets BP 250/125 (amoxicillin 250mg as trihydrate, clavulanic acid 125mg as potassium salt)
- # These products have Advisory Committee on Borderline Substances approval for patients suffering dry mouth as a result of having (or having undergone) radiotherapy or sicca syndrome.

Diazepam Oral Solution BP 2mg/5ml  
Diazepam Tablets BP  
Diclofenac Sodium Tablets Gastro-resistant BP  
Dihydrocodeine Tablets BP 30mg  
Doxycycline Capsules BP 100mg  
Doxycycline Tablets 20mg DPF  
Doxycycline Tablets Dispersible BP

Ephedrine Nasal Drops BP  
Erythromycin Ethyl Succinate Oral Suspension BP (includes sugar-free formulation)  
Erythromycin Ethyl Succinate Tablets BP  
Erythromycin Stearate Tablets BP  
Erythromycin Tablets Gastro-resistant BP

Fluconazole Capsules 50mg DPF  
Fluconazole Oral Suspension 50mg/5ml DPF

Hydrocortisone Cream BP 1%  
Hydrocortisone Oromucosal Tablets BP  
Hydrocortisone and Miconazole Cream BP  
Hydrocortisone and Miconazole Ointment BP  
Hydrogen Peroxide Mouthwash BP 6%

Ibuprofen Oral Suspension BP sugar free  
Ibuprofen Tablets BP

Lansoprazole Gastro-Resistant Capsules BP  
Lidocaine Ointment BP 5%  
Lidocaine Spray 10% DPF  
Loratadine Syrup 5mg/5ml DPF  
Loratadine Tablets BP 10mg

Menthol and Eucalyptus Inhalation BP 1980  
Metronidazole Oral Suspension BP  
Metronidazole Tablets BP  
Miconazole Cream BP  
Miconazole Oromucosal Gel BP 24mg/ml  
Mouth-wash Solution - tablets DPF

Nystatin Oral Suspension BP (includes sugar-free formulation)

Omeprazole Gastro-resistant Capsules BP  
Oxytetracycline Tablets BP

\*Paracetamol Oral Suspension BP (includes sugar-free formulation)  
Paracetamol Tablets BP  
Paracetamol Tablets Soluble BP  
Penciclovir Cream DPF  
Phenoxymethylpenicillin Oral Solution BP (includes sugar-free formulation)  
Phenoxymethylpenicillin Tablets BP  
Promethazine Hydrochloride Tablets BP  
Promethazine Oral Solution BP

\* The title covers strengths of 120mg/5ml and 250mg/5ml, it is therefore necessary to specify the strength required.



Sodium Chloride Mouthwash Compound BP  
Sodium Fluoride Mouthwash BP  
Sodium Fluoride Oral Drops BP  
Sodium Fluoride Tablets BP  
Sodium Fluoride Toothpaste 0.619% DPF, 1.1% DPF  
Sodium Fusidate Ointment BP  
SST Saliva Stimulating Tablets (a medical device listed in Part IXA)

Temazepam Oral Solution BP  
Temazepam Tablets BP  
Tetracycline Tablets BP

**Part IX (b)****List Of Preparations Approved By The Department Which May Be Prescribed On Form HS 21(N) By Nurses for Health Service Patients**

District Nurse and Health Visitor prescribers who have completed the necessary training may only prescribe items appearing in the nurse prescribers list set below.

<sup>1</sup> Only in quantities up to 100

<sup>2</sup> Except pack sizes that are not to be prescribed under the Health Service (See Part XI A)

<sup>3</sup> Except for indications and doses that are POM

Nurses are recommended to prescribe generically, except where this would not be clinically appropriate or where there is no approved generic name.

**Medicinal Preparations**

Almond Oil Ear Drops BP

Arachis Oil Enema NPF

<sup>1</sup> Aspirin Tablets Dispersible 300mg BP

Bisacodyl Suppositories BP (includes 5mg and 10mg strengths)

Bisacodyl Tablets BP

Catheter Maintenance Solution Sodium Chloride NPF

Catheter Maintenance Solution 'Solution G' NPF

Catheter Maintenance Solution 'Solution R' NPF

Chlorhexidine Gluconate Alcoholic Solutions containing at least 0.05%

Chlorhexidine Gluconate Aqueous Solutions containing at least 0.05%

Choline Salicylate Dental Gel BP

Clotrimazole Cream 1% BP

Co-danthramer Capsules NPF

Co-danthramer Capsules Strong NPF

Co-danthramer Oral Suspension NPF

Co-danthramer Oral Suspension Strong NPF

Co-danthrusate Capsules BP

Co-danthrusate Oral Suspension NPF

Crotamiton Cream BP

Crotamiton Lotion BP

Dimeticone barrier creams containing at least 10%

Dimeticone Lotion 4%

Dimeticone Lotion Spray 4%

Docusate Capsules BP

Docusate Enema NPF

Docusate Oral Solution BP

Docusate Oral Solution Paediatric BP

Econazole Cream 1% BP

Emollients as listed below:

Aquadrate Cream 10%

Arachis Oil BP

Balneum Plus Cream

Cetaben Emollient Cream

Dermamist

Diprobase Cream

Diprobase Ointment

Doublebase  
Doublebase Dayleve Gel  
E45 Cream  
E45 Itch Relief Cream  
Emulsifying Ointment BP  
Eucerin Intensive Cream 10%  
Eucerin Intensive Lotion 10%  
Hydromol Cream  
Hydromol Intensive Cream  
Hydrous Ointment BP  
Lipobase  
Liquid and White Soft Paraffin Ointment NPF  
Neutrogena Norwegian Formula Dermatological Cream  
Nutraplus Cream  
Oilatum Cream  
Oilatum Junior Cream  
Paraffin White Soft BP  
Paraffin Yellow Soft BP  
Ultrabase  
Unguentum M

Emollient Bath and Shower Preparations as listed below:

Aqueous Cream BP  
<sup>2</sup> Balneum  
Balneum Plus Bath Oil  
Cetraben Emollient Bath Additive  
Dermalo Bath Emollient  
Doublebase Emollient Bath Additive  
Doublebase Emollient Shower Gel  
Doublebase Emollient Wash Gel  
Hydromol Bath and Shower Emollient  
Oilatum Emollient  
Oilatum Gel  
Oilatum Junior Bath Additive  
Zerolatum Emollient Medicinal Bath Oil

Folic Acid Tablets 400 micrograms BP

Glycerol Suppositories BP

<sup>3</sup> Ibuprofen Oral Suspension BP  
<sup>3</sup> Ibuprofen Tablets BP  
Ispaghula Husk Granules BP  
Ispaghula Husk Granules Effervescent BP  
Ispaghula Husk Oral Powder BP

Lactulose Solution BP  
Lidocaine Ointment BP  
Lidocaine and Chlorhexidine Gel BP

Macrogol Oral Liquid Compound NPF  
Macrogol Oral Powder Compound NPF  
Macrogol Oral Powder Compound Half-Strength NPF (Movicol-Half)  
Magnesium Hydroxide Mixture BP  
Magnesium Sulfate Paste BP  
Malathion Aqueous Lotions (containing at least 0.5%)  
Mebendazole Oral Suspension NPF  
Mebendazole Tablets NPF  
Methylcellulose Tablets BP  
Miconazole Cream 2% BP

Miconazole Oromucosal Gel BP  
Mouthwash Solution-tablets NPF

Nicotine Inhalation Cartridge for Oromucosal Use NPF  
Nicotine Lozenge NPF  
Nicotine Medicated Chewing Gum NPF  
Nicotine Nasal Spray NPF  
Nicotine Oral Spray NPF  
Nicotine Sublingual Tablets NPF  
Nicotine Transdermal Patches NPF  
Prescriber should specify brand and strength to be dispensed  
    Releasing nicotine over 16 hours:  
        Boots NicAssist Patches  
        Nicorette Patches  
    Releasing nicotine over 24 hours:  
        Nicopatch Patches  
        NiQuitin Patches  
        Nicotinell TTS Patches  
Nystatin Oral Suspension BP

Olive Oil Ear Drops BP

Paracetamol Oral Suspension BP (includes 120mg/5ml and 250mg/5ml strengths both of which are available as sugar-free formulations)  
<sup>1</sup> Paracetamol Tablets BP  
Paracetamol Tablets Soluble BP (includes 120mg and 500mg tablets)  
Permethrin Cream NPF  
Phosphates Enema BP  
Povidone-Iodine Solution BP

Senna Oral Solution NPF  
Senna Tablets BP  
Senna and Ispaghula Granules NPF  
Sodium Chloride Solution Sterile BP  
Sodium Citrate Compound Enema NPF  
Sodium Picosulfate Capsules NPF  
Sodium Picosulfate Elixir NPF  
Spermicidal Contraceptives as listed below:  
    Gygel Contraceptive Jelly  
Sterculia Granules NPF  
Sterculia and Frangula Granules NPF

Titanium Ointment BP

Water for Injection

Zinc and Castor Oil Ointment BP  
Zinc Oxide and Dimeticone Spray NPF  
Zinc Oxide Impregnated Medicated Bandage NPF  
Zinc Oxide Impregnated Medicated Stocking NPF  
Zinc Paste bandage, BP 1993  
Zinc Paste and Ichthammol Bandage BP 1993

**Appliances and Reagents (Including the Wound Management Products)**

All Appliances and Reagents included in this list must comply with the description, specifications packs and quantities as specified in the relevant entry in Part II of the Drug Tariff

**Appliances** as listed in Part III (including Contraceptive Devices)

**Incontinence Appliances** as listed in Part IXB of England & Wales Drug Tariff

**Stoma Appliances and Associated Products** as listed in Part IXC of England & Wales Drug Tariff

**Chemical Reagents** as listed in Part II of the Drug Tariff

**PART IX (c)****Non-Medical Independent Prescribing (Nurse, Pharmacist, Optometrist, Physiotherapist & Chiropodist/Podiatrist)**

Nurse Independent Prescribers and Pharmacist Independent Prescribers are able to prescribe any medicine for any medical condition within their competence. This includes any controlled drug listed in Schedule 2-5, except diamorphine, cocaine and dipipanone as regards persons addicted to certain controlled drugs otherwise than for the purpose of treating organic disease or injury by such persons (Nurse and Pharmacist Independent Prescribers are able to prescribe other controlled drugs for the treatment of addiction).

Nurse Independent Prescribers may mix a controlled drug with another medicine and may supply and/or administer morphine under a Patient Group Direction for the immediate and necessary treatment of sick or injured persons.

Optometrist Independent Prescribers can prescribe any licensed medicine for ocular conditions affecting the eye and surrounding tissue, but cannot prescribe any controlled drug independently.

Physiotherapist Independent Prescribers can prescribe any licensed medicine for any condition within their competence within the overarching framework of human movement, performance and function. With effect from 15 November 2019, this includes the following controlled drugs, provided the drug is administered by the specified method: Diazepam (oral), Dihydrocodeine (oral), Fentanyl (transdermal), Lorazepam (oral), Morphine (oral or by injection), Oxycodone (oral), and Temazepam (oral).

Podiatrist Independent Prescribers can prescribe any licensed medicine within their competence and relevant to the treatment of disorders affecting the foot, ankle and associated structures. With effect from 15 November 2019, this includes the following controlled drugs, provided the drug is administered by the specified method: Diazepam (oral), Dihydrocodeine (oral), Lorazepam (oral), and Temazepam (oral).

Nurse, Pharmacist Optometrist, Physiotherapist & Chiropodist/Podiatrist Independent Prescribers:

- must work within their own level of professional competence and expertise;
- are recommended to prescribe generically, except where this would not be clinically appropriate or where there is no approved generic name;
- can prescribe licensed medicines independently for uses outside their licensed indications (so-called 'off-licence' or 'off-label'). They must accept clinical/legal responsibility for that prescribing, and should only prescribe off-licence/off-label where it is accepted clinical practice. In general, the General Optical Council discourages optometrists from prescribing 'off-licence' or 'off-label'. Further guidance is provided in the College of Optometrists Clinical Management Guidelines;
- may prescribe any appliances/dressings that are listed in Part II & III of the Drug Tariff. Optometrist, Physiotherapist and Chiropodist/Podiatrist Independent Prescribers can only prescribe appliances/dressings for the treatment of conditions relevant to their respective areas of professional practice;
- Must not prescribe drugs and other substances listed in Part XI (a) of the Drug Tariff at Health Service expense:
- May prescribe drugs listed in Part XI (b) of the Drug Tariff at Health Service expense, but only in the specified circumstances, for the specified patient groups listed in the Drug Tariff and where this is within their scope of professional practice;

- Nurse and Pharmacist Independent Prescribers can prescribe unlicensed medicines for their patients, on the same basis as doctors and supplementary prescribers. Optometrist, Physiotherapist and Chiropracist/Podiatrist Independent Prescribers cannot prescribe unlicensed medicines:
- Nurse Independent Prescribers and Pharmacist Independent Prescribers may mix medicines for the needs of a particular patient and to direct others to mix. Nurse Independent Prescribers and Pharmacist Independent Prescribers may provide written directions for others to do so for the purpose of administering them to meet the needs of a particular patient.
- May prescribe borderline substances, which have been approved by the Advisory Committee on Borderline Substances (ACBS). A list of ACBS approved products and the circumstances under which they can be prescribed, can be found in Part X of the Drug Tariff. Although this is a non-mandatory list, Nurse Independent Prescribers should normally restrict their prescribing of Borderline Substances to items on the ACBS approved list. Optometrist, Physiotherapist and Chiropracist/Podiatrist Independent Prescribers should not need to prescribe any items on the ACBS list.

PAGE INTENTIONALLY BLANK



## Part X

### Borderline Substances

In certain conditions some foods and toilet preparations have characteristics of drugs and the Advisory Committee on Borderline Substances advises as to the circumstances in which such substances may be regarded as drugs. The Advisory Committee's recommendations are listed below. Prescriptions issued in accordance with the Committee's advice and endorsed "ACBS" will normally not be investigated.

Manufacturers wishing to notify changes to their products should contact the ACBS by post: Philip Grieve, Secretariat to the Advisory Committee on Borderline Substances, NHS Commercial Medicines Unit, Castle View House, East Lane, Runcorn, WA7 2AA.

### List A

This is an alphabetical index of products which the ACBS has recommended for the management of the conditions shown under each product.

**General Practitioners are reminded that the Advisory Committee on Borderline Substances recommends products on the basis that they may be regarded as drugs for the treatment of specified conditions. Doctors should satisfy themselves that the products can be safely prescribed, that patients are adequately monitored and that, where necessary, expert hospital supervision is available. Prescriptions for products recommended by the Committee should be endorsed "ACBS".**

Note: The Committee has recommended a number of products as complete feeds for certain conditions. They may be prescribed both as sole sources of nutrition and as necessary nutritional supplements prescribable on medical grounds.

#### Definitions

1. The Committee has defined proven lactose or sucrose intolerance as "A condition of intolerance to an intake of the relevant disaccharide confirmed by:
  - (i) demonstrated clinical benefit of the effectiveness of the disaccharide free diet; and
  - (ii) the presence of reducing substances and/or excessive acid (1.00pH) in the stools, a low concentration of the correspondent disaccharidase enzyme on intestinal biopsy, or by breath tests or lactose tolerance tests."
2. The Committee has defined proven whole protein sensitivity as "Intolerance to whole protein, proven by at least two withdrawal and challenge tests, as suggested by an accurate dietary history."
3. The Committee has defined dysphagia as that associated with "Intrinsic disease of the oesophagus, eg. oesophagitis; neuromuscular disorders, eg. multiple sclerosis and motor neurone disease; major surgery and/or radiotherapy for cancer of the upper digestive tract; protracted severe inflammatory disease of the upper digestive tract, eg. Stevens-Johnson Syndrome and epidermolysis bullosa."

**ALEMBICOL-D (MCT OIL)**

Steatorrhoea associated with cystic fibrosis of the pancreas, intestinal lymphangiectasia, surgery of the intestine, chronic liver disease, liver cirrhosis, other proven malabsorption syndromes, a ketogenic diet in the management of epilepsy and in type 1 hyperlipoproteinaemia.

**ALIMENTUM**

As a sole source of nutrition or as a nutritional supplement for infants and young children with cow's milk protein allergy and other conditions where an extensively hydrolysed formula is indicated.

**ALTRAJUICE**

For the dietary management of disease-related malnutrition, short bowel syndrome, intractable malabsorption, pre-operative preparation of patients who are undernourished, patients with proven inflammatory bowel disease, following total gastrectomy, bowel fistulae.

**ALTRAJUICE STARTER PACK**

For the dietary management of disease-related malnutrition, short bowel syndrome, intractable malabsorption, pre-operative preparation of patients who are undernourished, patients with proven inflammatory bowel disease, following total gastrectomy, bowel fistulae.

**ALTRAPLEN COMPACT**

Disease related malnutrition, short bowel syndrome, intractable malabsorption, pre-operative preparation of patients who are undernourished, patients with proven inflammatory bowel disease, following total gastrectomy, bowel fistulae, dysphagia.

**ALTRAPLEN COMPACT DAILY****NEW**

For the dietary management of disease related malnutrition.

**ALTRAPLEN COMPACT DAILY STARTER PACK****NEW**

For the dietary management of disease related malnutrition.

**ALTRAPLEN COMPACT STARTER PACK (VANILLA, STRAWBERRY, HAZEL CHOCOLATE AND BANANA FLAVOURS)**

Disease related malnutrition, short bowel syndrome, intractable malabsorption, pre-operative preparation of patients who are undernourished, patients with proven inflammatory bowel disease, following total gastrectomy, bowel fistulae, dysphagia.

**ALTRAPLEN ENERGY**

For the dietary management of disease related malnutrition.

**ALTRAPLEN ENERGY STARTER PACK**

For the dietary management of disease related malnutrition.

**ALTRAPLEN PROTEIN**

Disease related malnutrition, short bowel syndrome, intractable malabsorption, pre-operative preparation of patients who are undernourished, patients with proven inflammatory bowel disease, following total gastrectomy, bowel fistulae, dysphagia.

**ALTRAPLEN PROTEIN STARTER PACK (STRAWBERRY AND VANILLA FLAVOURS)**

Disease related malnutrition, short bowel syndrome, intractable malabsorption, pre-operative preparation of patients who are undernourished, patients with proven inflammatory bowel disease, following total gastrectomy, bowel fistulae, dysphagia.

**ALTRASHOT (NEUTRAL, STRAWBERRY AND VANILLA FLAVOURS)**

For the dietary management of disease-related malnutrition.

**ALTRASHOT STARTER PACK (STRAWBERRY AND VANILLA FLAVOURS)**

For the dietary management of disease-related malnutrition.

**APROTEN LOW-PROTEIN PRODUCTS**

See: Low-Protein Products.

**APTAMIL PEPTI 1**

For the dietary management of established cows' milk allergy with/without proven secondary lactose intolerance.

**APTAMIL PEPTI 2**

For the dietary management of established cows' milk allergy in patients over 6 months of age.

**APTAMIL PEPTI-JUNIOR**

Disaccharide and/or whole protein intolerance, or where amino acids and peptides are indicated in conjunction with MCT.

**APTAMIL PEPTI SYNEO**

For the dietary management of cow's milk protein allergy.

**AS SALIVA ORTHANA LOZENGES**

Patients suffering from xerostomia (dry mouth) as a result of having or having undergone radiotherapy or sicca syndrome.

**AVEENO CREAM**

Endogenous and exogenous eczema, xeroderma, ichthyosis and senile pruritus associated with dry skin.

**AVEENO LOTION**

Endogenous and exogenous eczema, xeroderma, ichthyosis and senile pruritus associated with dry skin.

**AYMES 2.0 KCAL**

Indication: Short-bowel syndrome, intractable malabsorption, pre-operative preparation of patients who are undernourished, proven inflammatory bowel disease, following total gastrectomy, bowel fistulae and disease-related malnutrition.

**AYMES ACTACAL CREME (formerly AYMES CREME)**

Indication: Short-bowel syndrome, intractable malabsorption, pre-operative preparation of patients who are undernourished, proven inflammatory bowel disease, following total gastrectomy, bowel fistulae and disease-related malnutrition.

**AYMES ACTACAL CREME STARTER PACK**

Indication: Short-bowel syndrome, intractable malabsorption, pre-operative preparation of patients who are undernourished, proven inflammatory bowel disease, following total gastrectomy, bowel fistulae and disease-related malnutrition.

**AYMES ACTAGAIN 2.4 COMPLETE MAXI (Banana, Strawberry and Vanilla Flavours)**

For the dietary management of short-bowel syndrome, intractable malabsorption, pre-operative preparation of patients who are undernourished, proven inflammatory bowel disease, following total gastrectomy, bowel fistulae and disease related malnutrition.

**AYMES ACTAGAIN 2.4 COMPLETE MAXI STARTER PACK**

For the dietary management of short-bowel syndrome, intractable malabsorption, pre-operative preparation of patients who are undernourished, proven inflammatory bowel disease, following total gastrectomy, bowel fistulae and disease related malnutrition

**AYMES ACTAGAIN 600 (BANANA, STRAWBERRY AND VANILLA FLAVOURS)**

For the dietary management of short-bowel syndrome, intractable malabsorption, pre-operative preparation of patients who are undernourished, proven inflammatory bowel disease, following total gastrectomy, bowel fistulae and disease related malnutrition.

**AYMES ACTAGAIN 600 STARTER PACK (BANANA, STRAWBERRY AND VANILLA FLAVOURS)**

For the dietary management of short-bowel syndrome, intractable malabsorption, pre-operative preparation of patients who are undernourished, proven inflammatory bowel disease, following total gastrectomy, bowel fistulae and disease related malnutrition.

**AYMES ACTAJUCE (APPLE AND ORANGE FLAVOURS)**

For the dietary management of short-bowel syndrome, intractable malabsorption, pre-operative preparation of undernourished patients, inflammatory bowel disease, total gastrectomy, bowel fistulae and diseaserelated malnutrition.

**AYMES ACTAJUCE STARTER PACK**

For the dietary management of short-bowel syndrome, intractable malabsorption, pre-operative preparation of undernourished patients, inflammatory bowel disease, total gastrectomy, bowel fistulae and diseaserelated malnutrition.

**AYMES ACTASOLVE DELIGHT**

For the dietary management of short-bowel syndrome, intractable malabsorption, pre-operative preparation of patients who are undernourished, proven inflammatory bowel disease, following total gastrectomy, bowel fistulae and disease related malnutrition.

**AYMES ACTASOLVE DELIGHT STARTER PACK**

For the dietary management of short-bowel syndrome, intractable malabsorption, pre-operative preparation of patients who are undernourished, proven inflammatory bowel disease, following total gastrectomy, bowel fistulae and disease related malnutrition.

**AYMES ACTASOLVE HIGH ENERGY (formerly AYMES SHAKE EXTRA)**

For dietary management of short-bowel syndrome, intractable malabsorption, pre-operative preparation of patients who are undernourished, proven inflammatory bowel disease, following total gastrectomy, bowel fistulae and disease-related malnutrition. Not suitable for children under 3 years of age.

**AYMES ACTASOLVE HIGH ENERGY STARTER PACK (formerly AYMES SHAKE EXTRA STARTER PACK)**

For dietary management of short-bowel syndrome, intractable malabsorption, pre-operative preparation of patients who are undernourished, proven inflammatory bowel disease, following total gastrectomy, bowel fistulae and disease-related malnutrition. Not suitable for children under 3 years of age.

**AYMES ACTASOLVE PROTEIN COMPACT**

For the dietary management of disease-related malnutrition, short-bowel syndrome, intractable malabsorption, pre-operative preparation of malnourished patients, proven inflammatory bowel disease, following total gastrectomy and bowel fistulae.

**AYMES ACTASOLVE PROTEIN COMPACT STARTER PACK**

For the dietary management of disease-related malnutrition, short-bowel syndrome, intractable malabsorption, pre-operative preparation of malnourished patients, proven inflammatory bowel disease, following total gastrectomy and bowel fistulae.

**AYMES ACTASOLVE SAVOURY (VEGETABLE AND CHICKEN FLAVOURS) (formerly AYMES SAVOURY (VEGETABLE AND CHICKEN FLAVOURS))**

For dietary management of short-bowel syndrome, intractable malabsorption, pre-operative preparation of patients who are undernourished, proven inflammatory bowel disease, following total gastrectomy, bowel fistulae and disease-related malnutrition.

**AYMES ACTASOLVE SMOOTHIE**

For dietary management of short-bowel syndrome, intractable malabsorption, pre-operative preparation of patients who are undernourished, proven inflammatory bowel disease, following total gastrectomy, bowel fistulae and disease-related malnutrition.

**AYMES ACTASOLVE SMOOTHIE STARTER PACK**

For dietary management of short-bowel syndrome, intractable malabsorption, pre-operative preparation of patients who are undernourished, proven inflammatory bowel disease, following total gastrectomy, bowel fistulae and disease-related malnutrition.

**AYMES ACUSIST CLEAR**

For the dietary management of dysphagia.

**AYMES COMPLETE (VANILLA, STRAWBERRY, CHOCOLATE, BANANA)**

Indication: Short-bowel syndrome, intractable malabsorption, pre-operative preparation of patients who are undernourished, proven inflammatory bowel disease, following total gastrectomy, dysphagia, bowel fistulae and disease related malnutrition.

**AYMES COMPLETE STARTER PACK (VANILLA, STRAWBERRY, CHOCOLATE, BANANA)**

Indication: Short-bowel syndrome, intractable malabsorption, pre-operative preparation of patients who are undernourished, proven inflammatory bowel disease, following total gastrectomy, dysphagia, bowel fistulae and disease related malnutrition.

**AYMES CREME see AYMES ACTACAL CREME****AYMES SAVOURY (VEGETABLE AND CHICKEN FLAVOURS) see AYMES ACTASOLVE SAVOURY (VEGETABLE AND CHICKEN FLAVOURS)****AYMES SHAKE (BANANA, CHOCOLATE, GINGER, NEUTRAL, STRAWBERRY AND VANILLA)**

Indication: Short-bowel syndrome, intractable malabsorption, pre-operative preparation of patients who are undernourished, proven inflammatory bowel disease, following total gastrectomy, dysphagia, bowel fistulae and disease related malnutrition.

**AYMES SHAKE COMPACT (BANANA, CHOCOLATE, GINGER, NEUTRAL, STRAWBERRY AND VANILLA FLAVOURS)**

For dietary management of short-bowel syndrome, intractable malabsorption, pre-operative preparation of patients who are undernourished, proven inflammatory bowel disease, following total gastrectomy, bowel fistulae and disease-related malnutrition.

**AYMES SHAKE COMPACT STARTER PACK**

For dietary management of short-bowel syndrome, intractable malabsorption, pre-operative preparation of patients who are undernourished, proven inflammatory bowel disease, following total gastrectomy, bowel fistulae and disease-related malnutrition.

**AYMES SHAKE EXTRA see AYMES ACTASOLVE HIGH ENERGY****AYMES SHAKE EXTRA STARTER PACK see AYMES ACTASOLVE HIGH ENERGY STARTER PACK****AYMES SHAKE FIBRE**

For the dietary management of short-bowel syndrome, intractable malabsorption, pre-operative preparation of undernourished patients, inflammatory bowel disease, total gastrectomy, bowel fistulae and disease-related malnutrition.

**AYMES SHAKE FIBRE STARTER PACK**

For the dietary management of short-bowel syndrome, intractable malabsorption, pre-operative preparation of undernourished patients, inflammatory bowel disease, total gastrectomy, bowel fistulae and disease-related malnutrition.

**AYMES SHAKE SAMPLE PACK see AYMES SHAKE STARTER PACK****AYMES SHAKE SMOOTHIE see AYMES ACTASOLVE SMOOTHIE****AYMES SHAKE SMOOTHIE STARTER PACK see AYMES ACTASOLVE SMOOTHIE STARTER PACK****AYMES SHAKE STARTER PACK (formerly AYMES SHAKE SAMPLE PACK)**

Indication: Short-bowel syndrome, intractable malabsorption, pre-operative preparation of patients who are undernourished, proven inflammatory bowel disease, following total gastrectomy, dysphagia, bowel fistulae and disease related malnutrition.

**BARKAT GLUTEN-FREE PRODUCTS**

See: Gluten-Free Products.

**BASECAL100**

For use in the dietary management of inborn errors of protein metabolism requiring a low protein diet. Suitable from three years.

**BASECAL200**

For use in the dietary management of inborn errors of protein metabolism requiring a low protein diet. Suitable from three years.

**BETAQUIK**

For use in the ketogenic diet or in the dietary management of conditions requiring a source of MCT from 3 years of age.

**BIALIMENTA GLUTEN-FREE PRODUCTS**

See: Gluten-Free Products.

**CALOGEN**

For use in the dietary management of disease-related malnutrition, malabsorption states, or other conditions requiring fortification with a high fat supplement, with or without fluid and electrolyte restrictions.

**CALOGEN EXTRA**

For enteral use only for the dietary management of disease related malnutrition, malabsorption states or other conditions requiring fortification with a high fat supplement with or without fluid restriction.

**CALOGEN EXTRA SHOTS**

Disease related malnutrition, malabsorption states or other conditions requiring fortification with a high fat supplement with or without fluid restrictions.

**CALSHAKE**

Disease related malnutrition, malabsorption states or other conditions requiring fortification with a fat/carbohydrate supplement.

**CARE CO-LACTASE INFANT DROPS**

Transient Lactase Deficiency

**COLIEF**

Transient Lactase Deficiency

**COMPLAN SHAKE**

As a necessary nutritional supplement prescribed on medical grounds for: Short bowel syndrome, intractable malabsorption, pre-operative preparation of patients who are undernourished, patients with proven inflammatory bowel disease, following total gastrectomy, dysphagia, bowel fistulae and disease related malnutrition.

**COMPLAN SHAKE STARTER PACK            **NEW****

As a necessary nutritional supplement prescribed on medical grounds for:  
Short bowel syndrome, intractable malabsorption, pre-operative preparation of patients who are undernourished, patients with proven inflammatory bowel disease, following total gastrectomy, dysphagia, bowel fistulae and disease related malnutrition.

**CORN FLOUR AND CORN STARCH**

Glycogen storage diseases.

**COVERING CREAMS AND CONCEALMENT OF BIRTH MARKS**

|                              |                           |
|------------------------------|---------------------------|
| Covermark Classic Foundation | Keromask Finishing Powder |
| Covermark Finishing Powder   | Keromask Masking Cream    |
| Dermacolor Camouflage Cream  | Veil Cover Cream          |
| Dermacolor Fixing Powder     | Veil Finishing Powder     |

For post operative scars and other deformities and as adjunctive therapy in the relief of emotional disturbance due to disfiguring skin disease, such as vitiligo.

**COVERMARK PRODUCTS**

See: Covering Creams

**COW & GATE PEPTI-JUNIOR**

See: Aptamil Pepti-Junior.

**CYSTINE500**

For use in the dietary management of inborn errors of amino acid metabolism from 3 years of age onwards.

**DEKAS ESSENTIAL CAPSULES**

For the dietary management of patients with cystic fibrosis on the specific recommendation of a specialist in cystic fibrosis.

**DEKAS PLUS CHEWABLE TABLETS**

For the dietary management of patients with cystic fibrosis on the specific recommendation of a specialist in cystic fibrosis.

**DEKAS PLUS LIQUID**

For the dietary management of patients with cystic fibrosis on the specific recommendation of a specialist in cystic fibrosis.

**DEKAS PLUS SOFTGELS**

For the dietary management of patients with cystic fibrosis on the specific recommendation of a specialist in cystic fibrosis.

**DERMACOLOR CAMOUFLAGE SYSTEM**

See: Covering Creams

**DEXTROSE**

Glycogen storage disease and sucrose/isomaltose intolerance.

**DIALAMINE**

Oral feeding where essential amino acid supplements are required, for example chronic renal failure, hypoproteinaemia, wound fistula leakage with excessive protein loss, conditions requiring a controlled nitrogen intake and haemodialysis.

**DIETARY SPECIALS**

See: Gluten-Free Products

**DISINFECTANTS (ANTISEPTICS)**

May be prescribed on FP10 only when ordered in such quantities and with such directions as are appropriate for the treatment of patients, but not if ordered for general hygienic purposes.

**DOCOMEGA**

For use in the dietary management of inherited metabolic disorders.

**DUOCAL (SUPER SOLUBLE)**

Disease related malnutrition, malabsorption states or other conditions requiring fortification with a fat/carbohydrate supplement.

**EAA SUPPLEMENT**

For the dietary management of disorders of protein metabolism where essential amino acids are required for example urea cycle disorders.

**EASIPHEN**

For use in the dietary management of proven phenylketonuria in older children (above 8 years) and adults.

**ELECARE**

For the dietary management of infants and children with cow's milk allergy, severe and/or multiple food allergies or other conditions where an amino acid-based formula is indicated.

**ELEMENTAL 028 EXTRA**

For use as the sole source of nutrition or as a necessary nutritional supplement prescribed on medical grounds for: Short bowel syndrome, intractable malabsorption, patients with proven inflammatory bowel disease, bowel fistulae. Not to be prescribed for any child under one year; use with caution for young children up to five years of age.

**ELEMENTAL 028 EXTRA (LIQUID)**

For use as the sole source of nutrition or as a necessary nutritional supplement prescribed on medical grounds for: Short bowel syndrome, intractable malabsorption, patients with proven inflammatory bowel disease, bowel fistulae. Not to be prescribed for any child under one year; use with caution for young children up to five years of age.

**EMSOGEN (UNFLAVOURED)**

For use as the sole source of nutrition or as a necessary nutritional supplement prescribed on medical grounds for: Short bowel syndrome, intractable malabsorption, patients with proven inflammatory bowel disease, bowel fistulae. Not to be prescribed for any child under one year; use with caution for young children up to five years of age.

**ENER-G LOW-PROTEIN PRODUCTS**

See: Low-Protein Products

**ENER-G XANTHAN GUM**

For use in the dietary management of gluten sensitive enteropathies, including steatorrhoea due to gluten-sensitivity, coeliac disease, and dermatitis herpetiformis.

**ENERGIESHAKE 2.0**

For the dietary management of short bowel syndrome, intractable malabsorption, pre-operative preparation of patients who are undernourished, proven inflammatory bowel disease, following total gastrectomy, dysphagia, bowel fistulae, CAPD, haemodialysis and disease-related malnutrition.

**ENERGIESHAKE ADVANCE 1.3KCAL (FORMERLY SUPRESSI 1.28 KCAL COMPLETE) (CHOCOLATE AND VANILLA FLAVOURS)**

For the dietary management of patients with or at risk of disease-related malnutrition, or nutritionally at-risk older adults. Suitable for frail elderly (over 65 years of age, with a BMI under 23kg/m), where clinical assessment and screening shows the individual to be at risk of under-nutrition.

**ENERGIESHAKE COMPLETE 1.5KCAL DRINK**

For the dietary management of disease-related malnutrition.

**ENERGIESHAKE POWDER**

For the dietary management of short bowel syndrome, intractable malabsorption, pre-operative preparation of patients who are undernourished, proven inflammatory bowel disease, following total gastrectomy, dysphagia, bowel fistulae and disease-related malnutrition.

**ENERGIESHAKE DESSERT**

For the dietary management of short bowel syndrome, intractable malabsorption, pre-operative preparation of patients who are undernourished, proven inflammatory bowel disease, following total gastrectomy, bowel fistulae and disease-related malnutrition.

**ENERGIESHAKE POWDER STARTER PACK**

For the dietary management of short bowel syndrome, intractable malabsorption, pre-operative preparation of patients who are undernourished, proven inflammatory bowel disease, following total gastrectomy, dysphagia, bowel fistulae and disease-related malnutrition.

**ENERGIVIT**

For infants requiring additional energy, vitamins, minerals and trace elements following a protein restricted diet.

**ENFAMIL O-LAC**

Proven lactose intolerance.

**ENSHAKE (BANANA, CHOCOLATE, STRAWBERRY AND VANILLA FLAVOURS)**

Disease related malnutrition, malabsorption states or other conditions requiring fortification with a fat/carbohydrate supplement. Not suitable for children under 1 year.

**ENSURE (CHOCOLATE AND VANILLA FLAVOURS)**

As a necessary nutritional supplement prescribed on medical grounds for:  
Disease-related malnutrition, intractable malabsorption, total gastrectomy, proven inflammatory bowel disease, and pre-operative preparation of patients who are undernourished. Not recommended for use in children.

**ENSURE COMPACT (BANANA, CAFE LATTE, STRAWBERRY AND VANILLA FLAVOURS)**

As a sole source of nutrition or as a nutritional supplement for the dietary management of patients with, or at risk of developing, disease-related malnutrition.

**ENSURE PLUS**

For the dietary management of patients with, or at risk of developing disease-related malnutrition.

**ENSURE PLUS ADVANCE**

Frail elderly people (this is defined as older than 65 years with BMI less than or equal to 23kg/m<sup>2</sup>, where clinical assessment and nutritional screening show the individual to be at risk of undernutrition). Not suitable as the sole source of nutrition.

**ENSURE PLUS COMMENCE**

For use as a source of nutrition or as a nutritional supplement for patients with short bowel syndrome, intractable malabsorption, pre-operative preparation of patients who are undernourished, patients with proven inflammatory bowel disease, following total gastrectomy, dysphagia, bowel fistulae, disease-related malnutrition, continuous ambulatory peritoneal dialysis (CAPD), and haemodialysis.

**ENSURE PLUS CREME**

For use as a source of nutrition or as a nutritional supplement for patients with short bowel syndrome, intractable malabsorption, pre-operative preparation of patients who are undernourished, patients with proven inflammatory bowel disease, following total gastrectomy, dysphagia, bowel fistulae, disease-related malnutrition, continuous ambulatory peritoneal dialysis (CAPD), and haemodialysis.

**ENSURE PLUS FIBRE**

For use as a nutritional supplement for patients with disease-related malnutrition, continuous ambulatory peritoneal dialysis (CAPD) and haemodialysis, short bowel syndrome, intractable malabsorption, dysphagia, proven inflammatory bowel disease, bowel fistulae, gastrectomy and for pre-operative preparation of patients who are undernourished. Not to be prescribed for any child under one year; use with caution for young children up to five years of age.



**ENSURE PLUS JUCE**

As a necessary nutritional supplement prescribed on medical grounds for: Disease related malnutrition, short bowel syndrome, intractable malabsorption, inflammatory bowel disease, bowel fistulae, dysphagia, following total gastrectomy and for pre-operative preparation of patients who are malnourished. It is not recommended for children under 1 year of age and should be used with caution in children under 5 years of age.

**ENSURE PLUS LIQUID FEED****ENSURE PLUS MILK SHAKE STYLE****ENSURE PLUS SAVOURY****ENSURE PLUS YOGHURT STYLE**

As a necessary nutritional supplement prescribed on medical grounds for: Short bowel syndrome, intractable malabsorption, pre-operative preparation of patients who are undernourished, patients with proven inflammatory bowel disease, following total gastrectomy, dysphagia, bowel fistulae, disease-related malnutrition, continuous ambulatory peritoneal dialysis (CAPD), and haemodialysis. Not to be prescribed for any child under one year; use with caution for young children up to five years of age

**ENSURE SHAKE (BANANA, CHOCOLATE, STRAWBERRY AND VANILLA FLAVOURS)**

As a nutritional supplement for patients with disease related malnutrition, short bowel syndrome, intractable malabsorption, inflammatory bowel disease, bowel fistulae, dysphagia, following total gastrectomy and for pre-operative patients who are malnourished.

**ENSURE TWOCAL**

For use as a sole source of nutrition or as a nutritional supplement for patients with disease-related malnutrition, short bowel syndrome, intractable malabsorption, bowel fistulae, proven inflammatory bowel disease, total gastrectomy, pre-operative preparation of patients who are malnourished, haemodialysis, CAPD and dysphagia. Not to be prescribed for any child under 1 year of age, used with caution in children under 6 years of age.

**FATE LOW PROTEIN PRODUCTS**

See: Low-Protein Products

**FINAX GLUTEN-FREE PRODUCTS**

See:Gluten-Free Products.

**FOODLINK COMPLETE (BANANA, CHOCOLATE, NATURAL, STRAWBERRY AND VANILLA FLAVOURS)**

As a necessary nutritional supplement prescribed on medical grounds for: Short bowel syndrome, intractable malabsorption, pre-operative preparation of patients who are undernourished, patients with proven inflammatory bowel disease, following total gastrectomy, dysphagia, bowel fistulae, disease-related malnutrition. Not to be prescribed for any child under one year; use with caution for young children up to five years of age.

**FOODLINK COMPLETE COMPACT**

For the dietary management of disease-related malnutrition.

**FOODLINK COMPLETE COMPACT STARTER PACK**

For the dietary management of disease-related malnutrition.

**FOODLINK COMPLETE STARTER PACK (BANANA, CHOCOLATE, NATURAL, STRAWBERRY AND VANILLA FLAVOURS)**

As a necessary nutritional supplement prescribed on medical grounds for: Short bowel syndrome, intractable malabsorption, pre-operative preparation of patients who are undernourished, patients with proven inflammatory bowel disease, following total gastrectomy, dysphagia, bowel fistulae, disease-related malnutrition. Not to be prescribed for any child under one year; use with caution for young children up to five years of age.

**FOODLINK COMPLETE WITH FIBRE (BANANA, CHOCOLATE, NATURAL, STRAWBERRY AND VANILLA FLAVOURS)**

As a necessary nutritional supplement prescribed on medical grounds for: Short bowel syndrome, intractable malabsorption, pre-operative preparation of patients who are undernourished, patients with proven inflammatory bowel disease, following total gastrectomy, dysphagia, bowel fistulae, disease-related malnutrition. Not to be prescribed for any child under one year; use with caution for young children up to five years of age.

**FOODLINK COMPLETE WITH FIBRE STARTER PACK**

Disease-related malnutrition, intractable malabsorption pre-operative preparation of malnourished patients, dysphagia, proven inflammatory bowel disease, following total gastrectomy, short-bowel syndrome, bowel fistula.

**FORTICARE**

For the dietary management of patients with pancreatic cancer and patients with lung cancer undergoing chemotherapy.

**FORTICREME COMPLETE**

As a necessary nutritional supplement prescribed on medical grounds for: Short bowel syndrome, intractable malabsorption, pre-operative preparation of patients who are undernourished, patients with proven inflammatory bowel disease, following total gastrectomy, dysphagia, bowel fistulae, disease-related malnutrition, continuous ambulatory peritoneal dialysis (CAPD) and haemodialysis. Not to be prescribed for any child under one year; use with caution for young children up to five years of age.

**FORTIJUICE**

As a necessary nutritional supplement prescribed on medical grounds for: Short bowel syndrome, intractable malabsorption, pre-operative preparation of patients who are undernourished, patients with proven inflammatory bowel disease, following total gastrectomy, bowel fistulae, disease-related malnutrition. Not to be prescribed for any child under one year; use with caution for young children up to five years of age.

**FORTIJUICE STARTER PACK**

As a necessary nutritional supplement prescribed on medical grounds for: Short bowel syndrome, intractable malabsorption, pre-operative preparation of patients who are undernourished, patients with proven inflammatory bowel disease, following total gastrectomy, bowel fistulae, disease-related malnutrition. Not to be prescribed for any child under one year; use with caution for young children up to five years of age.

**FORTINI**

For use as a necessary nutritional supplement prescribed on medical grounds for: Disease-related malnutrition and growth failure. Not to be prescribed for any child under one year.

**FORTINI 1.0 MULTI FIBRE (BANANA, CHOCOLATE, STRAWBERRY AND VANILLA FLAVOURS)**

Disease-related malnutrition; growth failure.

**FORTINI COMPACT MULTI FIBRE (CHOCOLATE-CARAMEL, STRAWBERRY AND NEUTRAL FLAVOURS)**

For the dietary management of disease-related malnutrition and growth failure in children from 1 year onwards.

**FORTINI CREAMY FRUIT MULTI FIBRE (BERRY FRUIT AND SUMMER FRUIT FLAVOURS)**

For the dietary management of disease related malnutrition and growth failure.

**FORTINI MULTI FIBRE**

For use as a necessary nutritional supplement prescribed on medical grounds for: Disease-related malnutrition and growth failure. Not to be prescribed for any child under one year.

**FORTINI SMOOTHIE MULTI FIBRE**

For use as a necessary nutritional supplement prescribed on medical grounds for: Disease-related malnutrition and growth failure. Not to be prescribed for any child under one year.

**FORTISIP 2KCAL (CHOCOLATE-CARAMEL, FOREST FRUIT, MOCHA, STRAWBERRY AND VANILLA FLAVOURS)**

For the dietary management of short bowel syndrome, intractable malabsorption, pre-operative preparation of undernourished patients, inflammatory bowel disease, total gastrectomy, CAPD, haemodialysis, dysphagia, bowel fistulae, disease related malnutrition.

**FORTISIP BOTTLE**

Approved for enteral use only, as a necessary nutritional supplement for: Short bowel syndrome, intractable malabsorption, pre-operative preparation of undernourished patients, inflammatory bowel disease, total gastrectomy, dysphagia, bowel fistulae, disease related malnutrition. Not for intravenous use. Not suitable for children under 3 years of age. Not suitable for patients with galactosaemia.

**FORTISIP COMPACT**

For the dietary management of short bowel syndrome, intractable malabsorption, pre-operative preparation of undernourished patients, inflammatory bowel disease, total gastrectomy, bowel fistulae, disease-related malnutrition.

**FORTISIP COMPACT FIBRE**

Approved for short bowel syndrome, intractable malabsorption, pre-operative preparation of patients who are undernourished, proven inflammatory bowel disease, following total gastrectomy, bowel fistulae, disease-related malnutrition and dysphagia.

**FORTISIP COMPACT FIBRE STARTER PACK**

Approved for short bowel syndrome, intractable malabsorption, pre-operative preparation of patients who are undernourished, proven inflammatory bowel disease, following total gastrectomy, bowel fistulae, disease-related malnutrition and dysphagia.

**FORTISIP COMPACT PROTEIN**

For the dietary management of short bowel syndrome, intractable malabsorption, pre-operative preparation of undernourished patients, inflammatory bowel disease, total gastrectomy, bowel fistulae, disease-related malnutrition.

**FORTISIP COMPACT PROTEIN STARTER PACK**

Indication: short bowel syndrome; intractable malabsorption; pre-operative preparation of undernourished patients; inflammatory bowel disease; total gastrectomy; dysphagia; bowel fistulae; disease-related malnutrition.

**FORTISIP COMPACT STARTER PACK**

For the dietary management of short bowel syndrome, intractable malabsorption, pre-operative preparation of undernourished patients, inflammatory bowel disease, total gastrectomy, bowel fistulae, disease related malnutrition.

**FORTISIP EXTRA**

Approved for enteral use only, as a necessary nutritional supplement for: Short bowel syndrome, intractable malabsorption, pre-operative preparation of undernourished patients, inflammatory bowel disease, total gastrectomy, dysphagia, bowel fistulae, disease related malnutrition. Not for intravenous use. Not suitable for children under 3 years of age. Not suitable for patients with galactosaemia.

**FORTISIP RANGE STARTER PACK**

As a necessary nutritional supplement prescribed on medical grounds for: Short bowel syndrome, intractable malabsorption, pre-operative preparation of patients who are undernourished, patients with proven inflammatory bowel disease, following total gastrectomy, dysphagia, bowel fistulae, disease-related malnutrition. Not to be prescribed for any child under one year; use with caution for young children up to five years of age.

**FORTISIP YOGHURT STYLE**

For use as the sole source of nutrition or as a necessary nutritional supplement prescribed on medical grounds for:

Short bowel syndrome, intractable malabsorption, pre-operative preparation of patients who are undernourished, patients with proven inflammatory bowel disease, following total gastrectomy, bowel fistulae, disease-related malnutrition. Not to be prescribed for any child under one year; use with caution for young children up to five years of age.

**FREBINI**

For use as the sole source of nutrition or as a necessary nutritional supplement prescribed on medical grounds for children aged 1-10 years or 8-30kg for: Short bowel syndrome, intractable malabsorption, pre-operative preparation of patients who are undernourished, patients with proven inflammatory bowel disease, following total gastrectomy, dysphagia, bowel fistulae, disease-related malnutrition and/or growth failure. Not to be prescribed for any child under one year of age.

**FREBINI ENERGY**

As a sole source of nutrition, or as a nutritional supplement for children aged 1-10 years with disease-related malnutrition and/or growth failure, proven inflammatory bowel disease, following total gastrectomy, short bowel syndrome, intractable malabsorption, dysphagia, bowel fistulae, and for the pre-operative preparation of patients who are malnourished. Not to be prescribed for any child under one year.

**FREBINI ENERGY DRINK (STRAWBERRY AND BANANA FLAVOURS)**

As a sole source of nutrition, or as a nutritional supplement for children aged 1-10 years with disease-related malnutrition and/or growth failure, proven inflammatory bowel disease, following total gastrectomy, short

bowel syndrome, intractable malabsorption, dysphagia, bowel fistulae, and for the pre-operative preparation of patients who are malnourished. Not to be prescribed for any child under one year.

**FREBINI ENERGY FIBRE**

As a sole source of nutrition, or as a nutritional supplement for children aged 1-10 years with disease-related malnutrition and/or growth failure, proven inflammatory bowel disease, following total gastrectomy, short bowel syndrome, intractable malabsorption, dysphagia, bowel fistulae, and for the pre-operative preparation of patients who are malnourished. Not to be prescribed for any child under one year.

**FREBINI ENERGY FIBRE DRINK**

As a sole source of nutrition, or as a nutritional supplement for children aged 1-10 years with disease-related malnutrition and/or growth failure, proven inflammatory bowel disease, following total gastrectomy, short bowel syndrome, intractable malabsorption, dysphagia, bowel fistulae, and for the pre-operative preparation of patients who are malnourished. Not to be prescribed for any child under one year.

**FREBINI ORIGINAL FIBRE**

As a sole source of nutrition, or as a nutritional supplement for children aged 1-10 years with disease-related malnutrition and/or growth failure, proven inflammatory bowel disease, following total gastrectomy, short bowel syndrome, intractable malabsorption, dysphagia, bowel fistulae, and for the pre-operative preparation of patients who are malnourished. Not to be prescribed for any child under one year.

**FRESUBIN 1000 COMPLETE**

For use as the sole source of nutrition or as a necessary nutritional supplement prescribed on medical grounds for: Short bowel syndrome, intractable malabsorption, pre-operative preparation of patients who are undernourished, patients with proven inflammatory bowel disease, following total gastrectomy, dysphagia, bowel fistula, disease-related malnutrition. Not to be prescribed for any child under three years; use with caution for young children up to six years of age.

**FRESUBIN 1200 COMPLETE**

For use as the sole source of nutrition or as a necessary nutritional supplement prescribed on medical grounds for: Short bowel syndrome, intractable malabsorption, pre-operative preparation of patients who are undernourished, patients with proven inflammatory bowel disease, following total gastrectomy, bowel fistulae, disease-related malnutrition. Not to be prescribed for any child under three years of age; use with caution for young children up to six years of age.

**FRESUBIN 1500 COMPLETE**

For use as the sole source of nutrition or as a necessary nutritional supplement prescribed on medical grounds for: Short bowel syndrome, intractable malabsorption, proven inflammatory bowel disease, following total gastrectomy, dysphagia, disease-related malnutrition. Not to be prescribed for any child under three years; use with caution for young children up to six years of age.

**FRESUBIN 1800 COMPLETE**

For use as the sole source of nutrition or as a necessary nutritional supplement prescribed on medical grounds for: Short bowel syndrome, intractable malabsorption, pre-operative preparation of patients who are undernourished, patients with proven inflammatory bowel disease, following total gastrectomy, bowel fistulae, disease-related malnutrition. Not to be prescribed for any child under three years; use with caution for young children up to six years of age.

**FRESUBIN 2250 COMPLETE**

For use as the sole source of nutrition or as a necessary nutritional supplement prescribed on medical grounds for: Short bowel syndrome, intractable malabsorption, pre-operative preparation of patients who are undernourished, patients with proven inflammatory bowel disease, following total gastrectomy, dysphagia, bowel fistulae, disease-related malnutrition. Not to be prescribed for any child under three years; use with caution for young children up to six years of age.

**FRESUBIN 2KCAL CREME**

For the dietary management of short bowel syndrome, intractable malabsorption, pre-operative preparation of patients who are undernourished, patients with proven inflammatory bowel disease, following total gastrectomy, bowel fistulae, disease related malnutrition, dysphagia, continuous ambulatory peritoneal dialysis (CAPD) and haemodialysis. Not to be prescribed for any child under three years; use with caution for young children up to six years of age.

**FRESUBIN 2KCAL DRINK**

For use as a source of nutrition or as a nutritional supplement for patients with disease related malnutrition, short bowel syndrome, intractable malabsorption, proven inflammatory bowel disease, dysphagia, bowel fistulae, CAPD, haemodialysis, total gastrectomy and for pre-operative preparation of patients who are malnourished. Not to be prescribed for any child under three years; use with caution for young children up to six years of age.

**FRESUBIN 2KCAL DRINK STARTER PACK**

For use as a source of nutrition or as a nutritional supplement for patients with disease related malnutrition, short bowel syndrome, intractable malabsorption, proven inflammatory bowel disease, dysphagia, bowel fistulae, CAPD, haemodialysis, total gastrectomy and for pre-operative preparation of patients who are malnourished. Not to be prescribed for any child under three years; use with caution for young children up to six years of age.

**FRESUBIN 2KCAL FIBRE DRINK**

For use as a source of nutrition or as a nutritional supplement for patients with disease related malnutrition, short bowel syndrome, intractable malabsorption, proven inflammatory bowel disease, dysphagia, bowel fistulae, CAPD, haemodialysis, total gastrectomy and for pre-operative preparation of patients who are malnourished. Not to be prescribed for any child under three years; use with caution for young children up to six years of age.

**FRESUBIN 2KCAL FIBRE MINI DRINK**

For use as a source of nutrition or as a nutritional supplement for patients with disease related malnutrition, short bowel syndrome, intractable malabsorption, proven inflammatory bowel disease, dysphagia, bowel fistulae, CAPD, haemodialysis, total gastrectomy and for pre-operative preparation of patients who are malnourished. Not to be prescribed for any child under three years; use with caution for young children up to six years of age.

**FRESUBIN 2KCAL HP**

For the dietary management of short bowel syndrome, intractable malabsorption, pre-operative preparation of patients who are undernourished, patients with proven inflammatory bowel disease, following total gastrectomy, bowel fistulae, disease related malnutrition and dysphagia.

**FRESUBIN 2KCAL HP FIBRE**

For the dietary management of patients with or at risk of disease related malnutrition, short bowel syndrome, intractable malabsorption, pre-operative preparation of patients who are undernourished, patients with proven inflammatory bowel disease, following total gastrectomy, bowel fistulae, dysphagia. Not to be prescribed for any child under one year; use with caution for young children up to six years of age.

**FRESUBIN 2KCAL MINI DRINK**

For use as a source of nutrition or as a nutritional supplement for patients with disease related malnutrition, short bowel syndrome, intractable malabsorption, proven inflammatory bowel disease, dysphagia, bowel fistulae, CAPD, haemodialysis, total gastrectomy and for pre-operative preparation of patients who are malnourished. Not to be prescribed for any child under three years; use with caution for young children up to six years of age.

**FRESUBIN 3.2KCAL DRINK**

For the dietary management of disease related malnutrition, short bowel syndrome, intractable malabsorption, pre-operative preparation of patients who are undernourished, patients with proven inflammatory bowel disease, following total gastrectomy, bowel fistulae, dysphagia. Not to be prescribed for any child under three years; use with caution for young children up to six years of age.

**FRESUBIN 5KCAL SHOT**

Approved for disease related malnutrition malabsorption states or other conditions requiring fortification with a high fat supplement with or without fluid or electrolyte restrictions. Not to be prescribed for any child under three years.

**FRESUBIN DESSERT FRUIT**

For the dietary management of patients with or at risk of disease related malnutrition, short-bowel syndrome, pre-operative patients who are undernourished, inflammatory bowel disease, following total gastrectomy, bowel fistulae and dysphagia. Not to be prescribed for any child under three years; use with caution for young children up to six years of age.

**FRESUBIN ENERGY**

For use as the sole source of nutrition or as a necessary nutritional supplement prescribed on medical grounds for: Short bowel syndrome, intractable malabsorption, pre-operative preparation of patients who are undernourished, patients with proven inflammatory bowel disease, following total gastrectomy, dysphagia, bowel fistulae, disease-related malnutrition. Not to be prescribed for any child under three years; use with caution for young children up to six years of age.

**FRESUBIN ENERGY FIBRE SIP FEED**

For use as the sole source of nutrition or as a necessary nutritional supplement prescribed on medical grounds for: Short bowel syndrome, intractable malabsorption, pre-operative preparation of patients who are undernourished, patients with proven inflammatory bowel disease, following total gastrectomy, dysphagia, bowel fistulae, disease-related malnutrition. Not to be prescribed for any child under three years; use with caution for young children up to six years of age.

**FRESUBIN ENERGY FIBRE (NEUTRAL) TUBE FEED**

For use as the sole source of nutrition or as a necessary nutritional supplement prescribed on medical grounds for: Short bowel syndrome, intractable malabsorption, pre-operative preparation of patients who are undernourished, patients with proven inflammatory bowel disease, following total gastrectomy, dysphagia, bowel fistulae, disease-related malnutrition. Not to be prescribed for any child under three years; use with caution for young children up to six years of age.

**FRESUBIN ENERGY STARTER PACK**

For use as the sole source of nutrition or as a necessary nutritional supplement prescribed on medical grounds for: Short bowel syndrome, intractable malabsorption, pre-operative preparation of patients who are undernourished, patients with proven inflammatory bowel disease, following total gastrectomy, dysphagia, bowel fistulae, disease-related malnutrition. Not to be prescribed for any child under three years; use with caution for young children up to six years of age.

**FRESUBIN HP ENERGY**

As a necessary nutritional supplement prescribed on medical grounds for: Short bowel syndrome, intractable malabsorption, pre-operative preparation of patients who are undernourished, patients with proven inflammatory bowel disease, following total gastrectomy, dysphagia, bowel fistulae, disease-related malnutrition continuous ambulatory peritoneal dialysis (CAPD), and haemodialysis. Not to be prescribed for any child under one year; use with caution for young children up to six years of age.

**FRESUBIN HP ENERGY FIBRE**

For the dietary management of short bowel syndrome, intractable malabsorption, pre-operative preparation of patients who are undernourished, patients with proven inflammatory bowel disease, following total gastrectomy, bowel fistulae, disease related malnutrition, continuous ambulatory peritoneal dialysis (CAPD) and haemodialysis. Not to be prescribed for any child under three years; use with caution for young children up to six years of age.

**FRESUBIN JUCY DRINK**

For the dietary management of patients with or at risk of malnutrition for the following indications: Short bowel syndrome, intractable malabsorption, pre-operative preparation of undernourished patients, inflammatory bowel disease, total gastrectomy, dysphagia, bowel fistulae, haemodialysis, continuous ambulatory peritoneal dialysis and disease related malnutrition. Not to be prescribed for any child under three years; use with caution for young children up to six years of age.

**FRESUBIN JUCY DRINK STARTER PACK**

For the dietary management of patients with or at risk of malnutrition for the following indications: Short bowel syndrome, intractable malabsorption, pre-operative preparation of undernourished patients, inflammatory bowel disease, total gastrectomy, dysphagia, bowel fistulae, haemodialysis, continuous ambulatory peritoneal dialysis and disease related malnutrition. Not to be prescribed for any child under three years; use with caution for young children up to six years of age.

**FRESUBIN ORIGINAL DRINK AND FRESUBIN ORIGINAL TUBE FEED**

For use as the sole source of nutrition or as a necessary nutritional supplement prescribed on medical grounds for: Short bowel syndrome, intractable malabsorption, pre-operative preparation of patients who are undernourished, patients with proven inflammatory bowel disease, following total gastrectomy, dysphagia, bowel fistulae, disease-related malnutrition and Refsum's Disease. Not to be prescribed for any child under three years; use with caution for young children up to six years of age.

**FRESUBIN ORIGINAL FIBRE**

For use as the sole source of nutrition or as a necessary nutritional supplement prescribed on medical grounds for: Short bowel syndrome, intractable malabsorption, proven inflammatory bowel disease, following total gastrectomy, dysphagia, disease-related malnutrition. Not to be prescribed for any child under three years; use with caution for children up to six years of age.

**FRESUBIN POWDER EXTRA**

For the dietary management of patients with or at risk of malnutrition for the following ACBS indications: short bowel syndrome, intractable malabsorption, pre-operative preparation of undernourished patients, inflammatory bowel disease, total gastrectomy, bowel fistulae, dysphagia and disease related malnutrition. Not to be prescribed for any child under three years; use with caution for young children up to six years of age.

**FRESUBIN POWDER EXTRA STARTER PACK**

For the dietary management of patients with or at risk of malnutrition for the following ACBS indications: short bowel syndrome, intractable malabsorption, pre-operative preparation of undernourished patients, inflammatory bowel disease, total gastrectomy, bowel fistulae, dysphagia and disease related malnutrition. Not to be prescribed for any child under three years; use with caution for young children up to six years of age.

**FRESUBIN PROTEIN ENERGY DRINK**

As a necessary nutritional supplement prescribed on medical grounds for:  
Short bowel syndrome, intractable malabsorption, pre-operative preparation of patients who are undernourished, patients with proven inflammatory bowel disease, following total gastrectomy, dysphagia, bowel fistulae, disease-related malnutrition, continuous ambulatory peritoneal dialysis (CAPD) and haemodialysis. Not to be prescribed for any child under three years; use with caution for young children up to six years of age.

**FRESUBIN SOYA FIBRE**

For use as the sole source of nutrition or as a necessary nutritional supplement prescribed on medical grounds for: Short bowel syndrome, intractable malabsorption, pre-operative preparation of patients who are malnourished, patients with proven inflammatory bowel disease, following total gastrectomy, bowel fistulae, disease-related malnutrition and for cow's milk protein intolerance and lactose intolerance. Not to be prescribed for any child under three years; use with caution for young children up to six years of age.

**FRESUBIN THICKENED (LEVEL 2 AND LEVEL 3)(FORMERLY FRESUBIN THICKENED)**

Approved for patients with dysphagia and patients with disease related malnutrition. Not to be prescribed for any child under three years; use with caution for young children up to six years of age.

**FRESUBIN YOCREME (APRICOT-PEACH, BISCUIT, LEMON AND RASPBERRY)**

Approved for the dietary management of patients with or at risk of malnutrition in particular with increased energy or protein needs or dysphagia. Not to be prescribed for any child under three years; use with caution for young children up to six years of age

**FRESUBIN YODRINK**

For the dietary management of patients with or at risk of malnutrition who are not able to meet their nutritional requirements from ordinary foods alone. Includes elderly patients, patients with chronic wasting disease (cancer, HIV/AIDS), peri-operative patients, further patients with evidence based indication for oral nutritional supplementation (eg pre- and post-organ transplantation, inflammatory bowel disease). Not to be prescribed for any child under three years; use with caution for young children up to six years of age.

**FRUCTOSE**

Proven glucose/galactose intolerance.

**FRUITIVITS**

For use in restrictive therapeutic diets from 3 to 10 years of age.

**GA1 ANAMIX INFANT**

For use in the dietary management of proven glutaric aciduria type 1 in infants from birth to 12 months and as a supplementary feed up to 3 years of age

**GA1 ANAMIX JUNIOR (NEUTRAL FLAVOUR)**

For the dietary management of glutaric aciduria type 1 (GA1), suitable for children aged 1-10 years.

**GA AMINO5**

For use in the dietary management of glutaric aciduria type 1 (GA1). Suitable from birth.

**GA EXPLORE 5**

For the dietary management of glutaric aciduria type 1

**GA GEL**

Type 1 glutaric aciduria

**GALACTOMIN 19 (FRUCTOSE FORMULA)**

Glucose plus galactose intolerance.

**GENERAL DIETARY GLUTEN-FREE PRODUCTS**

See: Gluten-Free Products

**GENIUS**

See: Gluten-Free Products

**GLUCOSE**

For use as an energy supplement in sucrase-isomaltase deficiency.

**GLUTAFIN GLUTEN-FREE PRODUCTS**

See: Gluten-Free Products.

**GLUTAFIN GLUTEN-FREE SELECT PRODUCTS**

See: Gluten-Free Products.

**GLUTEN-FREE PRODUCTS (Not necessarily low-protein, lactose or sucrose free) for Coeliac Disease and Dermatitis Herpetiformis.**

Barkat brown rice pizza crust

Barkat gluten-free all purpose flour mix

Barkat gluten-free biscuits

Barkat gluten-free bread and cake mix

Barkat gluten-free bread mix

Barkat gluten-free brown rice bread

Barkat gluten-free buckwheat pasta (penne, spirals)

Barkat gluten-free cornflakes

Barkat gluten-free crackers

Barkat gluten-free crispbread

Barkat gluten-free digestive biscuits

Barkat gluten-free hi-fibre bread mix

Barkat gluten-free home fresh bread rolls

Barkat gluten-free home fresh country loaf

Barkat gluten-free lasagne

Barkat gluten-free multigrain rice bread

Barkat gluten-free par-baked baguettes

Barkat gluten-free par-baked rolls

Barkat gluten-free par-baked white bread

Barkat gluten-free par-baked white sliced bread

Barkat gluten-free pasta (alphabet, animal shapes, macaroni, shells, spaghetti, spirals, tagliatelle)

Barkat gluten-free porridge flakes

Barkat gluten-free potato pasta gnocchi

Barkat gluten-free round crackers

Barkat gluten-free white rice bread

Barkat gluten-free wholemeal sliced bread

Barkat gluten-free xanthan gum

Barkat white rice pizza crust

BiAlimenta gluten-free pasta (acini di pepe (pasta grains), formati misti (variety pack), penne, sagnette, spirali (spirals), tubetti)

BiAlimenta gluten-free potato pasta gnocchi

BiAlimenta gluten-free potato pasta perle di gnocchi

Dietary Specials gluten-free cracker bread

Dietary Specials gluten-free pizza bases

Dietary Specials gluten-free white multigrain sliced loaf

Ener-G gluten-free brown rice bread

Ener-G gluten-free cookies (vanilla flavour)

Ener-G gluten-free dinner rolls

Ener-G gluten-free pizza bases

Ener-G gluten-free rice loaf



Ener-G gluten-free Seattle brown loaf  
Ener-G gluten-free Seattle brown rolls (hamburger)  
Ener-G gluten-free Seattle brown rolls (hot dog)  
Ener-G gluten-free tapioca bread  
Ener-G gluten-free white long rolls  
Ener-G gluten-free white rice bread  
Ener-G gluten-free white round rolls  
Ener-G gluten-free xanthan gum  
Finax gluten-free coarse flour mix  
Finax gluten-free fibre bread mix  
Finax gluten-free flour mix  
General Dietary gluten-free rice pasta (lasagne, macaroni, small shells, spaghetti, vermicelli)  
Genius gluten-free sandwich bread (brown sliced)  
Genius gluten-free sandwich bread (white sliced)  
Genius gluten-free seeded brown farmhouse sliced loaf  
Glutafin Crisp Bread  
Glutafin gluten-free 4 white rolls  
Glutafin gluten-free baguettes  
Glutafin gluten-free bread mix  
Glutafin gluten-free cornflakes  
Glutafin gluten-free crackers  
Glutafin gluten-free digestive biscuits  
Glutafin gluten-free fibre bread mix  
Glutafin gluten-free fibre flakes  
Glutafin gluten-free fibre loaf sliced  
Glutafin gluten-free high fibre loaf  
Glutafin gluten-free mini crackers  
Glutafin gluten-free multipurpose white mix  
Glutafin gluten-free part-baked 2 long white rolls  
Glutafin gluten-free part-baked 4 fibre rolls  
Glutafin gluten-free part-baked 4 white rolls  
Glutafin gluten-free pasta (long-cut spaghetti, macaroni penne, spirals)  
Glutafin gluten-free pasta fibre (fusilli)  
Glutafin gluten-free pizza base  
Glutafin gluten-free shortbread biscuit  
Glutafin gluten-free tea biscuits  
Glutafin gluten-free white loaf sliced  
Glutafin gluten-free Select bread mix  
Glutafin gluten-free Select fibre bread mix  
Glutafin gluten-free Select fibre loaf sliced  
Glutafin gluten-free Select fresh brown loaf sliced  
Glutafin gluten-free Select fresh seeded loaf sliced  
Glutafin gluten-free Select fresh white loaf sliced  
Glutafin gluten-free Select multipurpose fibre mix  
Glutafin gluten-free Select multipurpose white mix  
Glutafin gluten-free Select seeded loaf sliced  
Glutafin gluten-free Select white loaf sliced  
Glutafin gluten-free wheat-free fibre mix  
Gratis gluten-free pasta (alphabets, macaroni, shells, short cut spaghetti, spirals)  
Heron Foods Organic gluten-free bread mix  
Heron Foods Organic gluten-free hi-fibre bread mix  
Innovative Solutions Pure brown rice flour  
Innovative Solutions Pure potato flour  
Innovative Solutions Pure gluten-free blended flour  
Innovative Solutions Pure xanthan gum  
Innovative Solutions Pure tapioca flour  
Innovative Solutions Pure teff brown flour  
Innovative Solutions Pure teff white flour  
Innovative Solutions Pure white rice flour  
Just: gluten-free good white bread  
Just: gluten-free good white rolls  
Just: gluten-free white sandwich bread  
Juvela gluten-free bread rolls  
Juvela gluten-free cornflakes  
Juvela gluten-free crackers  
Juvela gluten-free crispbread  
Juvela gluten-free crispy rice cereal

Juvela gluten-free digestive biscuits  
Juvela gluten-free fibre bread rolls  
Juvela gluten-free fibre flakes  
Juvela gluten-free fibre linguine  
Juvela gluten-free fibre loaf (sliced and unsliced)  
Juvela gluten-free fibre mix  
Juvela gluten-free fibre penne  
Juvela gluten-free flakes  
Juvela gluten-free fresh fibre rolls  
Juvela gluten-free fresh white rolls  
Juvela gluten-free fresh sliced fibre loaf  
Juvela gluten-free fresh sliced white loaf  
Juvela gluten-free harvest mix  
Juvela gluten-free lasagne  
Juvela gluten-free loaf (sliced and unsliced)  
Juvela gluten-free mix  
Juvela gluten-free part-baked bread rolls  
Juvela gluten-free part-baked fibre bread rolls  
Juvela gluten-free part-baked fibre loaf  
Juvela gluten-free part-baked loaf  
Juvela gluten-free pasta (fusilli, lasagne, macaroni, spaghetti)  
Juvela gluten-free pizza base  
Juvela gluten-free pure oats  
Juvela gluten-free savoury biscuits  
Juvela gluten-free sweet biscuits  
Juvela gluten-free tagliatelle  
Juvela gluten-free tea biscuits  
Lifestyle gluten-free bread rolls  
Lifestyle gluten-free brown bread  
Lifestyle gluten-free high fibre bread  
Lifestyle gluten-free high fibre bread rolls  
Lifestyle gluten-free white bread  
Livwell gluten-free square dinner rolls (part baked)  
Livwell gluten-free white baguette  
Mrs Crimbles gluten-free bread mix  
Mrs Crimbles gluten-free fresh bread  
Mrs Crimbles gluten-free pastry mix  
Mums Mill gluten-free quick bread mix  
Nairns gluten-free oat porridge  
Nairns gluten-free wholegrain crackers  
Proceli part-baked baguettes  
Proceli pizza bases  
Proceli white flour  
Rizopia brown rice pasta (fusilli, lasagne, penne, spaghetti)  
Tobia Teff brown flour  
Tobia Teff white flour  
Tritamyl gluten-free brown bread mix  
Tritamyl gluten-free flour mix  
Tritamyl gluten-free white bread mix  
Ultra gluten-free crackerbread  
Ultra gluten-free pizza base  
Warburtons gluten free brown bread  
Warburtons gluten free brown rolls  
Warburtons gluten free white bread  
Warburtons gluten free white rolls  
Wellfoods gluten-free burger buns  
Wellfoods gluten-free flour alternative  
Wellfoods gluten-free loaf  
Wellfoods gluten-free pizza bases  
Wellfoods gluten-free rolls  
Wellfoods gluten-free sliced loaf

For established gluten enteropathy

**GLYCOSAIDE (LEMON FLAVOUR)**

For the dietary management of hepatic Glycogen Storage Disease where the use of long acting starch is indicated, from 3 years of age.

**GLYCOSAIDE (UNFLAVOURED)**

For the dietary management of hepatic Glycogen Storage Disease where the use of long acting starch is indicated, from 3 years of age.

**GLYTACTIN BUILD 20/20**

For the dietary management of phenylketonuria

**GLYTACTIN BETTERMILK 15 (ORANGE CREME AND STRAWBERRY CREME FLAVOURS)**

Phenylketonuria

**GLYTACTIN BUILD 10**

Phenylketonuria

**GLYTACTIN COMPLETE 15 (FRUIT FRENZY AND PEANUT BUTTER FLAVOURS)**

Phenylketonuria

**GLYTACTIN RESTORE LITE POWDER 20 (ORANGE FLAVOUR)**

Phenylketonuria

**GLYTACTIN RESTORE POWDERED 5 (BERRY FLAVOUR)**

Phenylketonuria

**GLYTACTIN RTD 10 (CHOCOLATE AND ORIGINAL FLAVOUR)**

Phenylketonuria

**GLYTACTIN RTD 15 (CHOCOLATE AND ORIGINAL FLAVOUR)**

Phenylketonuria

**GLYTACTIN RTD LITE 15 (COFFEE MOCHA AND VANILLA FLAVOURS)**

For the dietary management of phenylketonuria

**GRATIS GLUTEN-FREE PRODUCTS**

See: Gluten-Free Products

**HCU ANAMIX INFANT**

For use in the dietary management of proven vitamin B6 non-responsive homocystinuria or hypermethioninaemia in infants from birth to 12 months and as a supplementary feed up to 3 years of age

**HCU ANAMIX JUNIOR (NEUTRAL FLAVOUR)**

For the dietary management of proven homocystinuria (HCU) in children aged 1-10 years.

**HCU COOLER 10**

For the dietary management of homocystinuria in patients over 3 years of age.

**HCU COOLER 15**

For the dietary management of homocystinuria in patients over 3 years of age.

**HCU COOLER 20**

For the dietary management of homocystinuria in patients over 3 years of age.

**HCU EXPLORE 5**

For the dietary management of homocystinuria.

**HCU EXPRESS 15**

A nutritional supplement designed for patients with Homocystinuria (HCU); this is a Methionine-free powder protein substitute approved for patients over 8 years old.

**HCU EXPRESS 20**

A nutritional supplement designed for patients with Homocystinuria (HCU); this is a Methionine-free powder protein substitute approved for patients over 8 years old.

**HCU GEL**

A methionine free protein substitute for use in the dietary management of homocystinuria in children between the ages 12 months and 10 years of age.

**HCU LOPHLEX**

For the dietary management of homocystinuria (HCU) in children aged 3 years onwards and adults, including pregnant women (in conjunction with standard folic acid supplementation).

**HCU LOPHLEX LQ 10 JUICY BERRIES**

For the dietary management of proven Homocystinuria.

**HCU LOPHLEX LQ 20 JUICY BERRIES**

For the dietary management of proven Homocystinuria.

**HCU-LV (TROPICAL FLAVOUR)**

For the dietary management of hypermethioninaemia or vitamin B6 non-responsive homocystinuria in children over 8 years and adults.

**HCU MAXAMUM**

Hypermethioninaemia, homocystinuria

**HEPARON JUNIOR**

For the dietary management of infants and young children with acute and chronic liver failure.

**HYFIBER LIQUID**

For the dietary management of bowel transit disorder in tube fed patients.

**HYPER LYS ANAMIX INFANT**

For use in the dietary management of proven hyperlysinaemia in infants from birth to 12 months and as a supplementary feed up to 3 years of age

**INFATRINI**

Disease-related malnutrition, malabsorption, and growth failure in infancy.

**INFATRINI PEPTISORB**

Short bowel syndrome, intractable malabsorption, inflammatory bowel disease, bowel fistulae, disease-related malnutrition, intolerance to whole protein feeds.

**INNOVATIVE SOLUTIONS PURE PRODUCTS**

See: Gluten-Free Products

**INSTANT CAROBEL**

Thickening feeds in the treatment of vomiting.

**ISOLEUCINE50**

For use in the dietary management of inborn errors of amino acid metabolism from birth.

**ISOSOURCE JUNIOR MIX**

For the dietary management of short bowel syndrome, intractable malabsorption, pre-operative preparation of undernourished patients, inflammatory bowel disease, total gastrectomy, dysphagia, bowel fistulae, feeding intolerance, developmental disabilities, disease-related malnutrition, for children greater than 1 year of age.

**IVA ANAMIX INFANT**

For use in the dietary management of proven isovaleric acidaemia or other proven disorders of leucine metabolism in infants from birth to 12 months and as a supplementary feed up to 3 years of age

**IVA ANAMIX JUNIOR (NEUTRAL FLAVOUR)**

For the dietary management of proven isovaleric acidaemia ( IVA) in children aged 1-10 years.

**JEVITY**

For use as the sole source of nutrition or as a necessary nutritional supplement prescribed on medical grounds for: Short bowel syndrome, intractable malabsorption, pre-operative preparation of patients who are undernourished, patients with proven inflammatory bowel disease, following total gastrectomy, dysphagia, disease-related malnutrition. Not to be prescribed for any child under one year; use with caution for young children up to five years of age.

**JEVITY PLUS**

For use as the sole source of nutrition or as a necessary nutritional supplement prescribed on medical grounds for: Short bowel syndrome, intractable malabsorption, pre-operative preparation of patients who are undernourished, patients with proven inflammatory bowel disease, following total gastrectomy, dysphagia, bowel fistulae, disease-related malnutrition. Not recommended for any child under ten years of age.

**JEVITY PLUS HP**

For use as the sole source of nutrition or as a necessary nutritional supplement prescribed on medical grounds for:  
Disease related malnutrition, short bowel syndrome, intractable malabsorption, bowel fistulae, proven inflammatory bowel disease, total gastrectomy, pre-operative preparation of patients who are malnourished, haemodialysis, CAPD and dysphagia. Not to be prescribed for any child under 2 years of age, use with caution in children under 10 years of age.

**JEVITY PROMOTE**

For use as the sole source of nutrition or as a necessary nutritional supplement prescribed on medical grounds for: Short bowel syndrome, intractable malabsorption, pre-operative preparation of patients who are undernourished, patients with proven inflammatory bowel disease, following total gastrectomy, dysphagia, bowel fistulae, disease-related malnutrition. Not to be prescribed for children less than two years of age. Use with caution in children under ten years of age.

**JEVITY 1.5 KCAL**

For use as the sole source of nutrition or as a necessary nutritional supplement prescribed on medical grounds for: Short bowel syndrome, intractable malabsorption, pre-operative preparation of patients who are undernourished, patients with proven inflammatory bowel disease, following total gastrectomy, dysphagia, disease-related malnutrition, bowel fistulae.

**JUVELA GLUTEN-FREE PRODUCTS**

See: Gluten-Free Products.

**JUVELA LOW-PROTEIN PRODUCTS**

See: Low-Protein Products

**K.YO (CHOCOLATE FLAVOUR) (formerly KEYO)**

For the dietary management of epilepsy in a ketogenic diet; glut 1 deficiency syndrome or other conditions requiring a ketogenic diet.

**KEROMASK**

See: Covering Creams

**KETOCAL 2.5:1 LQ**

For use in the dietary management of drug resistant epilepsy or other conditions for which the ketogenic diet is indicated. Only to be prescribed on the advice of a specialist with experience of the ketogenic diet.

**KETOCAL 3:1**

For use in the dietary management of drug resistant epilepsy and/or other conditions for which the ketogenic diet is indicated, providing complete nutritional support from birth to 3 years of age or supplementary feeding for infants and children.

**KETOCAL 4:1**

For use as part of the ketogenic diet in the management of epilepsy resistant to drug therapy. Only to be prescribed on the advice of a secondary care physician with experience of the ketogenic diet.

**KETOCAL 4.1 LQ**

For use in the dietary management of drug resistant epilepsy or other conditions for which the ketogenic diet is indicated, providing complete nutritional support or supplementary feeding from 1-10 years of age and may be used for supplementary feeding over the age of 10 years.

**KETOCLASSIC 3:1 BAR**

For the dietary management of intractable epilepsy, pyruvate dehydrogenase deficiency, glucose transporter type 1 deficiency and other conditions where a ketogenic diet is indicated.

**KETOCLASSIC 3:1 MEAL**

For the dietary management of intractable epilepsy, pyruvate dehydrogenase deficiency, glucose transporter type 1 deficiency and other conditions where a ketogenic diet is indicated.

**KETOCLASSIC 3:1 SAVOURY**

For the dietary management of intractable epilepsy, pyruvate dehydrogenase deficiency, glucose transporter type 1 deficiency and other conditions where a ketogenic diet is indicated.

**KETOCLASSIC BREAKFAST**

For the dietary management of intractable epilepsy, pyruvate dehydrogenase deficiency, glucose transporter type 1 deficiency and other conditions where a ketogenic diet is indicated.

**KETOVIE 4:1 (CHOCOLATE AND VANILLA FLAVOURS)**

For the dietary management of patients with intractable epilepsy and other conditions where a ketogenic diet is indicated.

**KEYOMEGA**

For use in the dietary management of inborn errors of metabolism.

**KEYO see K.YO****KINDERGEN**

Complete nutritional support or supplementary feeding for infants and children with chronic renal failure who are receiving peritoneal rapid overnight dialysis.

**LEUCINE100**

For use in the dietary management of inborn errors of amino acid metabolism from birth.

**LIFESTYLE GLUTEN-FREE PRODUCTS**

See: Gluten-Free Products.

**LIPISTART**

For the dietary management of fat malabsorption, long chain fatty acid oxidation disorders and disorders requiring dietary management using a high MCT, low LCT formula.

**LIQUIGEN**

Steatorrhoea associated with cystic fibrosis of the pancreas, intestinal lymphangiectasia, surgery of the intestine, chronic liver disease, liver cirrhosis, other proven malabsorption syndromes, a ketogenic diet in the management of epilepsy and in type 1 hyperlipoproteinaemia.

**LIVWELL PRODUCTS**

See: Gluten Free Products

**LOCASOL**

Calcium intolerance

**LOPHLEX (UNFLAVOURED, ORANGE FLAVOUR AND BERRY FLAVOUR) see PKU LOPHLEX (NEUTRAL, ORANGE AND BERRIES FLAVOURS)****LOPROFIN LOW-PROTEIN PRODUCTS**

See: Low-Protein Products

**LOPROFIN PKU DRINK**

Phenylketonuria

**LOPROFIN SNO-PRO DRINK**

For the dietary management of Phenylketonuria, chronic renal failure, and other inborn errors of metabolism. Suitable for use from 6 months of age.

**LOW-PROTEIN PRODUCTS**

Aproten low-protein bread mix  
Aproten low-protein pasta (anellini)  
Ener-G low-protein egg replacer  
Ener-G low-protein rice bread  
Fate low-protein all-purpose mix  
Fate low-protein cake mix  
Fate low-protein chocolate flavour cake mix  
Fate low-protein potato mix  
Juvela low-protein bread rolls  
Juvela low-protein loaf (sliced)

Juvela low-protein mix  
Juvela low-protein pizza base  
Loprofin chocolate flavour cake mix  
Loprofin low-protein breakfast cereal (flakes, loops)  
Loprofin low-protein crackers  
Loprofin low-protein egg replacer  
Loprofin low-protein egg white replacer  
Loprofin low-protein herb crackers  
Loprofin low-protein mix  
Loprofin low-protein part baked sliced loaf  
Loprofin low-protein pasta (animal shapes, fusilli, lasagne, long-cut spaghetti, macaroni elbows, penne, tagliatelle)  
Loprofin low-protein rice  
Mevalia low-protein bread mix  
Mevalia low-protein burger mix  
Mevalia low-protein chocotino  
Mevalia low-protein ciabattine  
Mevalia low-protein cookies  
Mevalia low-protein ditali pasta  
Mevalia low-protein egg replacer  
Mevalia low-protein frollini  
Mevalia low-protein fruit bar  
Mevalia low-protein fusilli  
Mevalia low-protein grissini  
Mevalia low-protein lattis  
Mevalia low-protein mini baguette  
Mevalia low-protein pan carre  
Mevalia low-protein pan rustico  
Mevalia low-protein pane casereccio  
Mevalia low-protein penne  
Mevalia low-protein pizza base  
Mevalia low-protein rice replacer  
Mevalia low-protein spaghetti  
Milupa LP drink  
PK Foods Aminex low-protein biscuits  
PK Foods Aminex low-protein cookies  
PK Foods Aminex low-protein rusks  
PK Foods low-protein crispbread  
PK Foods low-protein pasta spirals  
PK Foods low-protein white sliced bread  
PKU-Gel  
Promin low-protein all purpose baking mix  
Promin low-protein apple and sage sausage mix  
Promin low-protein breadcrumbs  
Promin low-protein breakfast bar (apple & cinnamon, banana, cranberry and chocolate & cranberry flavours)  
Promin low-protein burger mix  
Promin low-protein caramel dessert  
Promin low-protein cheese sauce mix  
Promin low-protein cooked and flavoured pasta snack  
Promin low-protein cous cous  
Promin low-protein creamy chicken soup with croutons  
Promin low-protein creamy tomato soup with croutons  
Promin low-protein croutons  
Promin low-protein custard dessert  
Promin low-protein dessert (chocolate & banana and strawberry & vanilla flavours)  
Promin low-protein flour see Promin low-protein all purpose baking mix  
Promin low-protein fresh baked bread buns  
Promin low-protein fresh baked brown sliced bread  
Promin low-protein fresh baked sliced bread  
Promin low-protein hot breakfast (apple & cinnamon, banana, chocolate and original flavours)  
Promin low-protein imitation rice  
Promin low-protein imitation rice pudding (apple, banana, strawberry and original flavours)  
Promin low-protein lamb and mint burger mix  
Promin low-protein lasagne sheets  
Promin low-protein minestrone soup with croutons  
Promin low-protein pasta (alphabets, flat noodles, macaroni, shells, short cut spaghetti, spirals)  
Promin low-protein pasta in sauce (cheese and broccoli, tomato pepper and herb flavours)

Promin low-protein pastameal  
Promin low-protein pasta spirals in a Moroccan type sauce  
Promin low-protein pea and mint soup with croutons  
Promin low-protein potato cake mix  
Promin low-protein Promin Plus  
Promin low-protein sausage mix  
Promin low-protein tomato and basil sausage mix  
Promin low-protein tricolour pasta (alphabets, shells, spirals)  
Promin LP Mac Pot (macaroni cheese, tomato macaroni)  
Promin LP Potato Pot (cabbage bacon flavour & crouton, onions & croutons, sausage flavour & croutons)  
Promin LP X-Pot (all day scramble, beef & tomato, chip shop curry, rogan style curry)  
Taranis fish substitute  
Taranis low-protein biscuits with caramel shards  
Taranis low-protein cake (apricot, lemon, pear)  
Taranis low-protein chocolate chip biscuits  
Taranis low-protein chocolate chip cookies  
Taranis low-protein dalia liquid  
Taranis low-protein dalia powder (milk substitute)  
Taranis low-protein hazelnut spread  
Taranis low-protein mix for pancakes and waffles  
Taranis low-protein natural cake mix  
Taranis low-protein raspberry shortbread biscuits  
Taranis low-protein risotto  
Taranis low-protein rusks  
Taranis low-protein shortbread biscuits  
Taranis pause dessert (caramel and strawberry flavours)  
Ultra low-protein canned brown bread  
Ultra low-protein canned white bread  
Vita-Bite  
Yogumaxx  
Inherited metabolic disorders, renal or liver failure requiring a low-protein diet

**L-TYROSINE SUPPLEMENT FOR PHENYLKETONURIA**

Maternal Phenylketonurics who have low plasma tyrosine levels

**MAXIJUL SUPER SOLUBLE**

Disease related malnutrition, malabsorption states or other conditions requiring fortification with a high or readily available carbohydrate supplement.

**MCT OIL**

Steatorrhoea associated with cystic fibrosis of the pancreas, intestinal lymphangiectasia, surgery of the intestine, chronic liver disease, liver cirrhosis, other proven malabsorption syndromes, in a ketogenic diet in the management of epilepsy and in type 1 hyperlipoproteinaemia.

**MCT PROCAL**

For use in the dietary management of disorders of long chain fatty acid oxidation, fat malabsorption and other disorders requiring a low LCT, high MCT supplement.

**METHIONINE FREE TYR ANAMIX INFANT**

For use in the dietary management of proven tyrosinaemia type 1, in infants from birth to 12 months and as a supplementary feed up to 3 years of age

**MEVALIA LOW-PROTEIN PRODUCTS**

See: Low-Protein Products

**MEVALIA PKU GMPOWER**

For the dietary management of phenylketonuria.

**MEVALIA PKU MOTION 10 (RED FRUITS AND TROPICAL FLAVOURS)**

For the dietary management of phenylketonuria.

**MEVALIA PKU MOTION 20 (RED FRUITS AND TROPICAL FLAVOURS)**

For the dietary management of phenylketonuria.



**MILUPA LP DRINK**

Inherited disorders of amino acid metabolism in childhood

**MINAPHLEX FLAVOURED & UNFLAVOURED**

See: PKU Anamix Junior (Flavoured and Neutral).

**MMA/PA AMINO5**

For use in the dietary management of the organic acidaemias, methylmalonic acidaemia (MMA) and the propionic acidaemia (PA). Suitable from birth.

**MMA/PA ANAMIX INFANT**

For use in the dietary management of proven methylmalonic or propionic acidaemia in infants from birth to 12 months and as a supplementary feed up to 3 years of age

**MMA/PA ANAMIX JUNIOR (NEUTRAL FLAVOUR)**

For the dietary management of proven methylmalonic or propionic acidaemia (MMA/PA) for children aged 1-10 years.

**MMA/PA EXPLORE 5**

For the dietary management of methylmalonic acidaemia / propionic acidaemia from 6 months to 5 years of age.

**MMA/PA MAXAMUM**

Methylmalonic acidaemia and propionic acidaemia

**MODULEN IBD**

For the sole source of nutrition during the active phase of Crohn's disease, and for nutritional support during the remission phase in patients who are malnourished. Not to be prescribed for any child under one year; use with caution for young children up to five years of age. This product may be flavoured with NESTLE NUTRITION FLAVOUR MIX.

**MONOGEN**

For the dietary management of disorders requiring a low LCT, high MCT intake, such as long chain fatty acid oxidation defects (long chain acyl CoA dehydrogenase deficiency (LCAD) and carnitine palmitoyl transferase deficiency (CPTD), primary and secondary lipoprotein lipase deficiency (hyperlipoproteinaemia type 1), chylothorax and lymphangiectasia.

**MRS CRIMBLES**

See: Gluten-Free Products

**MSUD AID III**

Maple syrup urine disease (MSUD) and related conditions when it is necessary to limit the intake of branched chain amino acids

**MSUD AMINO5**

For use in the dietary management of maple syrup urine disease (MSUD). Suitable from birth.

**MSUD ANAMIX INFANT**

For use in the dietary management of proven maple syrup urine disease in infants from birth to 12 months and as a supplementary feed up to 3 years of age.

**MSUD ANAMIX JUNIOR**

A leucine, isoleucine and valine free mix for use in the dietary management of MSUD approved for patients aged between 1 and 10 years.

**MSUD ANAMIX JUNIOR LQ ORANGE**

For use in the dietary management of Maple syrup urine disease in children aged 1 year and over.

**MSUD COOLER 10**

For the dietary management of maple syrup urine disease

**MSUD COOLER 15**

For the dietary management of maple syrup urine disease

**MSUD COOLER 20**

For the dietary management of maple syrup urine disease

**MSUD EXPLORE 5**

For the dietary management of maple syrup urine disease

**MSUD EXPRESS 15**

This is a protein substitute for maple syrup urine disease in children over the age of 8.

**MSUD EXPRESS 20**

This is a protein substitute for maple syrup urine disease in children over the age of 8.

**MSUD GEL**

For use in the dietary management of Maple syrup urine disease in children aged between 1 and 10 years.

**MSUD LOPHLEX**

For the dietary management of maple syrup urine disease (MSUD) in children aged 3 years onwards and adults, including pregnant women (in conjunction with standard folic acid supplementation).

**MSUD LOPHLEX LQ 10 JUICY BERRIES**

Maple Syrup Urine Disease.

**MSUD LOPHLEX LQ 20 JUICY BERRIES**

Maple Syrup Urine Disease.

**MSUD MAXAMUM**

Maple syrup urine disease

**MULTI-THICK**

For the thickening of foods and fluids in dysphagia.

**NAIRNS GLUTEN-FREE PRODUCTS**

See: Gluten Free Products

**NEOCATE JUNIOR (STRAWBERRY, UNFLAVOURED AND VANILLA FLAVOUR)**

For the dietary management of proven whole protein allergy, short bowel syndrome, intractable malabsorption and other gastrointestinal disorders where an amino acid diet is recommended, for children from 1 year onwards.

**NEOCATE LCP**

For the dietary management of cow's milk allergy, multiple food protein allergies and other conditions where an elemental diet is recommended.

**NEOCATE NUTRA**

See: NeoCate Spoon

**NEOCATE SPOON (formerly NEOCATE NUTRA)**

For the dietary management of cow's milk allergy, multiple food protein allergies and other conditions requiring an amino acid-based food.

**NEOCATE SYNEO**

For the dietary management of cow's milk allergy, multiple food protein allergies and other conditions requiring an amino acid-based food.

**NEPRO HP (BOTTLE AND READY TO HANG)**

Patients with chronic renal failure who are on haemodialysis or complete ambulatory peritoneal dialysis (CAPD), or patients with cirrhosis or other conditions requiring a high energy, low fluid, low electrolyte diet.

**NESTLE NUTRITION FLAVOUR MIX**

For use with VANILLA-FLAVOURED PEPTAMEN and MODULEN IBD.

**NUTILIS CLEAR**

Dysphagia

**NUTILIS COMPLETE CREME LEVEL 3 (CHOCOLATE, STRAWBERRY AND VANILLA FLAVOURS)**

Approved for dysphagia, short bowel syndrome, intractable malabsorption, pre-operative preparation of undernourished patients, inflammatory bowel disease, total gastrectomy, bowel fistulae, disease-related malnutrition.

**NUTILIS COMPLETE DRINK LEVEL 3**

Approved for dysphagia, short bowel syndrome, intractable malabsorption, pre-operative preparation of undernourished patients, inflammatory bowel disease, total gastrectomy, bowel fistulae, disease-related malnutrition.

**NUTILIS FRUIT DESSERT LEVEL 4**

Approved for short bowel syndrome, intractable malabsorption, pre-operative preparation of patients who are undernourished, patients with proven inflammatory bowel disease, following total gastrectomy, dysphagia, disease-related malnutrition, continuous ambulatory peritoneal dialysis (CAPD), haemodialysis.

**NUTILIS POWDER**

Thickening of foods in dysphagia. Unsuitable for children under three years of age.

**NUTRAMIGEN 1 WITH LGG**

For the dietary management of cow's milk allergy with / or without lactose intolerance.

**NUTRAMIGEN 2 WITH LGG**

For the dietary management of cow's milk allergy with / or without lactose intolerance.

**NUTRAMIGEN 3 WITH LGG**

For the dietary management of cow's milk protein allergy.

**NUTRAMIGEN PURAMINO**

For the dietary management of severe cow's milk allergy and multiple food intolerance. Suitable for other indications requiring an elemental diet.

**NUTRICIA FLAVOUR MODJUL**

For use with a range of unflavoured amino acid and peptide based foods for special medical purposes.

**NUTRICIA FLAVOUR SACHETS**

For use with a range of unflavoured amino acid and peptide based foods for special medical purposes.

**NUTRICOMP DRINK PLUS**

Short bowel syndrome, intractable malabsorption, pre-operative preparation of patients who are undernourished, proven inflammatory bowel disease, following total gastrectomy, dysphagia, bowel fistulas, disease-related malnutrition and high energy needs.

**NUTRICOMP DRINK PLUS FIBRE**

Short bowel syndrome, intractable malabsorption, pre-operative preparation of patients who are undernourished, proven inflammatory bowel disease, following total gastrectomy, dysphagia, bowel fistulas, disease-related malnutrition and high energy needs.

**NUTRICREM**

Disease related malnutrition, short bowel syndrome, intractable malabsorption, pre-operative preparation of patients who are undernourished, patients with proven inflammatory bowel disease, following total gastrectomy, bowel fistulae, dysphagia.

**NUTRICREM STARTER PACK (VANILLA, STRAWBERRY AND ORANGE FLAVOURS)**

Disease related malnutrition, short bowel syndrome, intractable malabsorption, pre-operative preparation of patients who are undernourished, patients with proven inflammatory bowel disease, following total gastrectomy, bowel fistulae, dysphagia.

**NUTRINI**

For use as the sole source of nutrition or as a necessary nutritional supplement prescribed on medical grounds for: Short bowel syndrome, intractable malabsorption, pre-operative preparation of patients who are undernourished, dysphagia, bowel fistulae, disease-related malnutrition and/or growth failure. Not to be prescribed for any child under one year.

**NUTRINI ENERGY**

For use as the sole source of nutrition or as a necessary nutritional supplement prescribed on medical grounds for: Short bowel syndrome, intractable malabsorption, pre-operative preparation of patients who are undernourished, patients with proven inflammatory bowel disease, following total gastrectomy, dysphagia, bowel fistulae, disease-related malnutrition and/or growth failure. Not to be prescribed for any child under one year.

**NUTRINI ENERGY MULTIFIBRE**

It is indicated for: Short bowel syndrome, intractable malabsorption, pre operative preparation of undernourished patients, total gastrectomy, dysphagia, disease related malnutrition and growth failure.

**NUTRINI LOW ENERGY MULTIFIBRE**

It is indicated for: Short bowel syndrome, intractable malabsorption, pre operative preparation of undernourished patients, total gastrectomy, dysphagia, disease related malnutrition and growth failure.

**NUTRINI MULTIFIBRE**

For use as the sole source of nutrition or as a necessary nutritional supplement prescribed on medical grounds for: Short bowel syndrome, intractable malabsorption, pre-operative preparation of patients who are undernourished, patients with proven inflammatory bowel disease , following total gastrectomy, dysphagia, bowel fistulae, disease-related malnutrition and/or growth failure. Not to be prescribed for any child under one year.

**NUTRINI PEPTISORB**

For use as the sole source of nutrition or as a necessary nutritional supplement prescribed on medical grounds for: Short bowel syndrome, intractable malabsorption, pre-operative preparation of patients who are undernourished, patients with proven inflammatory bowel disease , following total gastrectomy, dysphagia, bowel fistulae, disease-related malnutrition and/or growth failure. Approved for children aged between one and six years.

**NUTRINI PEPTISORB ENERGY**

For use as the sole source of nutrition or as a necessary nutritional supplement prescribed on medical grounds for the dietary management of short bowel syndrome, intractable malabsorption, pre-operative preparation of patients who are undernourished, patients with proven inflammatory bowel disease, following total gastrectomy, dysphagia, bowel fistulae, disease-related malnutrition and/or growth failure. Approved for use in children aged between one and six years.

**NUTRIPREM 2 LIQUID**

Suitable for catch-up growth in pre-term infants (ie less than 35 weeks at birth) and small for gestational age infants, until 6 months corrected age.

**NUTRIPREM 2 POWDER**

Suitable for catch-up growth in pre-term infants (ie less than 35 weeks at birth) and small for gestational age infants, until 6 months corrected age.

**NUTRISON**

For use as the sole source of nutrition or as a necessary nutritional supplement prescribed on medical grounds for: Short bowel syndrome, intractable malabsorption, pre-operative preparation of patients who are undernourished, patients with proven inflammatory bowel disease, following total gastrectomy, dysphagia, bowel fistulae, disease-related malnutrition. Not to be prescribed for any child under one year; use with caution for young children up to five years of age.

**NUTRISON 800 COMPLETE MULTI FIBRE**

Approved for short bowel syndrome, intractable malabsorption, pre-operative preparation of patients who are undernourished, proven inflammatory bowel disease, following total gastrectomy, disease-related malnutrition and dysphagia.

**NUTRISON 1000 COMPLETE MULTI FIBRE**

For dietary management of disease related malnutrition in patients with low energy and/or low fluid requirements

**NUTRISON 1200 COMPLETE MULTI FIBRE**

Approved for short bowel syndrome, intractable malabsorption, pre-operative preparation of patients who are undernourished, proven inflammatory bowel disease, following total gastrectomy, disease-related malnutrition and dysphagia.

**NUTRISON ENERGY**

As a necessary nutritional supplement prescribed on medical grounds for: Short bowel syndrome, intractable malabsorption, pre-operative preparation of patients who are undernourished, patients with proven inflammatory bowel disease, following total gastrectomy, dysphagia, bowel fistulae, disease-related malnutrition. Not to be prescribed for any child under one year; use with caution for young children up to five years of age.

**NUTRISON ENERGY MULTIFIBRE**

For use as the sole source of nutrition or as a necessary nutritional supplement prescribed on medical grounds for: Short bowel syndrome, intractable malabsorption, pre-operative preparation of patients who are undernourished, patients with proven inflammatory bowel disease, following total gastrectomy, dysphagia, bowel fistulae, disease-related malnutrition. Not to be prescribed for any child under one year; use with caution for young children up to five years of age.

**NUTRISON ENERGY MULTI FIBRE VANILLA**

As a necessary nutritional supplement prescribed on medical grounds for:  
Short bowel syndrome, intractable malabsorption, pre-operative preparation of patients who are undernourished, patients with proven inflammatory bowel disease, following total gastrectomy, dysphagia, bowel fistulae, disease-related malnutrition. Not suitable for children under 3 years of age. Use with caution in children aged 3-6 years.

**NUTRISON MCT**

As a necessary nutritional supplement prescribed on medical grounds for: Short bowel syndrome, intractable malabsorption, pre-operative preparation of patients who are undernourished, patients with proven inflammatory bowel disease, following total gastrectomy, dysphagia, bowel fistulae, disease-related malnutrition. Not to be prescribed for any child under one year; use with caution for young children up to five years of age.

**NUTRISON MULTIFIBRE**

For use as the sole source of nutrition or as a necessary nutritional supplement prescribed on medical grounds for: Short bowel syndrome, intractable malabsorption, pre-operative preparation of patients who are undernourished, patients with proven inflammatory bowel disease, following total gastrectomy, dysphagia, bowel fistulae, disease-related malnutrition. Not to be prescribed for any child under one year; use with caution for young children up to five years of age.

**NUTRISON PEPTISORB**

For use as the sole source of nutrition or as a necessary nutritional supplement prescribed on medical grounds for:- Short bowel syndrome, intractable malabsorption, patients with proven inflammatory bowel disease, bowel fistulae. Not to be prescribed for any child under one year; use with caution in children aged one to six years.

**NUTRISON PEPTISORB PLUS HEHP**

For the dietary management of adults with disease-related malnutrition, short bowel syndrome, intractable malabsorption, bowel fistulae, inflammatory bowel disease, total gastrectomy and for the pre-operative preparation of patient who are malnourished.

**NUTRISON PROTEIN PLUS**

For use as dietary management of disease related malnutrition.

**NUTRISON PROTEIN PLUS ENERGY**

For dietary management of short bowel syndrome, intractable malabsorption, preoperative preparation of patients who are undernourished, patients with proven inflammatory bowel disease, following total gastrectomy, dysphagia, bowel fistulae, disease-related malnutrition. Not to be prescribed for any child under one year, use with caution for young children up to five years of age.

**NUTRISON PROTEIN PLUS MULTIFIBRE**

For use as dietary management of disease related malnutrition.

**NUTRISON SOYA**

For use as the sole source of nutrition or as a necessary nutritional supplement prescribed on medical grounds for: Short bowel syndrome, intractable malabsorption, pre-operative preparation of patients who are undernourished, patients with proven inflammatory bowel disease, following total gastrectomy, dysphagia, bowel fistulae, disease-related malnutrition, cows milk protein and lactose intolerance. Not to be prescribed for any child under one year; use with caution for young children up to five years of age.

**NUTRISON SOYA MULTIFIBRE**

For use as the sole source of nutrition or as a necessary nutritional supplement prescribed on medical grounds for: Short bowel syndrome, intractable malabsorption, pre-operative preparation of patients who are undernourished, patients with proven inflammatory bowel disease, following total gastrectomy, dysphagia, bowel fistulae, disease-related malnutrition, cows milk protein and lactose intolerance. Not to be prescribed for any child under one year; use with caution for young children up to five years of age.

**OPTIFIBRE**

As a necessary nutritional supplement prescribed on medical grounds for: Short bowel syndrome, intractable malabsorption, pre-operative preparation of patients who are undernourished, patients with proven inflammatory bowel disease, following total gastrectomy, bowel fistulae, disease-related malnutrition. Not to be prescribed for any child under five years of age.

**ORAL IMPACT**

For preoperative nutritional support for patients who are malnourished or at risk of becoming malnourished.

**OSMOLITE**

For use as the sole source of nutrition or as a necessary nutritional supplement prescribed on medical grounds for: Short bowel syndrome, intractable malabsorption, pre-operative preparation of patients who are undernourished, patients with proven inflammatory bowel disease, following total gastrectomy, dysphagia, bowel fistulae, disease-related malnutrition. Not to be prescribed for any child under one year; use with caution for young children up to five years of age.

**OSMOLITE 1.5 KCAL**

As a necessary nutritional supplement prescribed on medical grounds for: Short bowel syndrome, intractable malabsorption, pre-operative preparation of patients who are undernourished, patients with proven inflammatory bowel disease, following total gastrectomy, dysphagia, bowel fistulae, disease-related malnutrition, continuous ambulatory peritoneal dialysis (CAPD), and haemodialysis. Not to be prescribed for any child under one year; use with caution for young children up to five years of age

**OSMOLITE PLUS**

For use as the sole source of nutrition or as a necessary nutritional supplement prescribed on medical grounds for: Short bowel syndrome, intractable malabsorption, pre-operative preparation of patients who are undernourished, patients with proven inflammatory bowel disease, following total gastrectomy, dysphagia, bowel fistulae, disease-related malnutrition. Not recommended for any child under ten years of age.

**OSMOSIP THICK & CLEAR**

For the dietary management of dysphagia.

**PAEDIASURE**

For use as the sole source of nutrition or as a necessary nutritional supplement prescribed on medical grounds for children aged 1-10 years or 8-30kg for: Short bowel syndrome, intractable malabsorption, pre-operative preparation of patients who are undernourished, dysphagia, bowel fistulae, disease-related malnutrition and/or growth failure. Not to be prescribed for any child under one year.

**PAEDIASURE COMPACT**

For use as the sole source of nutrition or as a necessary nutritional supplement prescribed for the dietary management of children aged 1-10 years or 8-30kg for: Disease-related malnutrition.

**PAEDIASURE FIBRE**

For use as the sole source of nutrition, or as a necessary nutritional supplement prescribed on medical grounds for children aged 1-10 years or 8-30kg for: Short bowel syndrome, intractable malabsorption, pre-operative preparation of patients who are undernourished, dysphagia, bowel fistulae, disease-related malnutrition, and/or growth failure. Not to be prescribed for any child under one year

**PAEDIASURE PEPTIDE**

For children weighing 8-30 kg with disease related malnutrition and/or growth failure, short bowel syndrome, intractable malabsorption, bowel fistulae, dysphagia, inflammatory bowel disease, total gastrectomy and for the pre-operative preparation of patients who are malnourished.

**PAEDIASURE PLUS**

For use as the sole source of nutrition, or as a necessary nutritional supplement prescribed on medical grounds for children aged 1-10 years or 8-30kg for: Short bowel syndrome, intractable malabsorption, pre-operative preparation of patients who are undernourished, dysphagia, bowel fistulae, disease-related malnutrition, and/or growth failure. Not to be prescribed for any child under one year

**PAEDIASURE PLUS FIBRE**

As a sole source of nutrition, or as a nutritional supplement for children aged 1-10 years or 8-30kg with disease-related malnutrition and/or growth failure, short bowel syndrome, intractable malabsorption, dysphagia, bowel fistulae, and for the pre-operative preparation of patients who are malnourished. Not to be prescribed for any child under one year.

**PAEDIASURE PLUS JUCE**

For use as a nutritional supplement for children weighing 8-30kg with disease related malnutrition and/or growth failure.

**PAEDIATRIC SERAVIT**

Vitamin and mineral supplement in restrictive therapeutic diets in infants and children.

**PEPTAMEN AF**

For use as the sole source of nutrition or as a necessary nutritional supplement prescribed on medical grounds for: Short bowel syndrome, intractable malabsorption, pre-operative preparation of patients who are undernourished, patients with proven inflammatory bowel disease, following total gastrectomy, bowel fistulae and disease related malnutrition

**PEPTAMEN (FLAVOURED AND UNFLAVOURED)**

For use as the sole source of nutrition or as a necessary nutritional supplement prescribed on medical grounds for: Short bowel syndrome, intractable malabsorption, patients with proven inflammatory bowel disease, bowel fistulae. Not to be prescribed for any child under one year; use with caution for young children up to five years of age. This product may be flavoured with NESTLE NUTRITION FLAVOUR MIX.

**PEPTAMEN HN**

For use as a nutritionally complete high calorie peptide-based formula for optimal digestion in the dietary management of impaired gastrointestinal function.

For use as an enteral feed in patients with short bowel syndrome, intractable malabsorption, proven inflammatory bowel disease and bowel fistulae or with higher nutritional requirements.

**PEPTAMEN JUNIOR 0.6**

For the dietary management of disease-related malnutrition in patient ages over 1 year with malabsorption and/or maldigestion who have reduced energy requirements

**PEPTAMEN JUNIOR 1.5**

For the dietary management of disease related malnutrition in patients with short bowel syndrome, intractable malabsorption, proven inflammatory bowel disease, bowel fistulae. As a sole source of nutrition for children aged 1-15 years onwards.

**PEPTAMEN JUNIOR ADVANCE**

For use as the sole source of nutrition or as a necessary nutritional supplement for children aged 1-10 years prescribed on medical grounds for:

Short bowel syndrome, intractable malabsorption, patients with proven inflammatory bowel disease, bowel fistulae.

**PEPTAMEN JUNIOR LIQUID**

For use as the sole source of nutrition or as a necessary nutritional supplement for children aged 1-10 years prescribed on medical grounds for:

Short bowel syndrome, intractable malabsorption, patients with proven inflammatory bowel disease, bowel fistulae.

**PEPTAMEN JUNIOR POWDER**

For use as the sole source of nutrition or as a necessary nutritional supplement for children aged 1-10 years prescribed on medical grounds for:

Short bowel syndrome, intractable malabsorption, patients with proven inflammatory bowel disease, bowel fistulae.

**PERATIVE**

As a necessary nutritional supplement prescribed on medical grounds for: Short bowel syndrome, intractable malabsorption, pre-operative preparation of patients who are undernourished, patients with proven inflammatory bowel disease, following total gastrectomy, bowel fistulae, disease-related malnutrition. Not to be prescribed for any child under five years of age.

**PHENYLALANINE50**

For use in the dietary management of inborn errors of amino acid metabolism from birth.

**PHLEXY-10 DRINK MIX**

Phenylketonuria

**PHLEXY-10 TABLETS**

For Phenylketonuria only

**PHLEXY-VITS**

For use as a vitamin and mineral component of restricted therapeutic diets for older children, from the age of around eleven years, and adults with phenylketonuria and similar amino acid abnormalities.

**PHLEXY-VITS TABLETS**

For use as a vitamin and mineral component of restricted therapeutic diets for older children, from the age of around eleven years, and adults with phenylketonuria and similar amino acid abnormalities.

**PK AID 4**

Phenylketonuria

**PK FOODS LOW-PROTEIN PRODUCTS**

See: Low-Protein Products

**PK FOODS LOW-PROTEIN RANGE (FLOUR MIX, EGG REPLACER, CHOCOLATE CHIP COOKIES, CINNAMON COOKIES, ORANGE COOKIES, JELLY MIX DESSERT ORANGE FLAVOUR, JELLY MIX DESSERT CHERRY FLAVOUR)**

Phenylketonuria

**PKU AIR15 (GOLD)**

Dietary management of Phenylketonuria (PKU) over 3 years of age

**PKU AIR15 (GREEN)**

Dietary management of Phenylketonuria (PKU) over 3 years of age

**PKU AIR15 (RED)**

Dietary management of Phenylketonuria (PKU) over 3 years of age

**PKU AIR15 (WHITE)**

Dietary management of Phenylketonuria (PKU) over 3 years of age

**PKU AIR15 (YELLOW)**

Dietary management of Phenylketonuria (PKU) over 3 years of age

**PKU AIR20 (GOLD)**

Dietary management of Phenylketonuria (PKU) over 3 years of age

**PKU AIR20 (GREEN)**

Dietary management of Phenylketonuria (PKU) over 3 years of age

**PKU AIR20 (RED)**

Dietary management of Phenylketonuria (PKU) over 3 years of age

**PKU AIR20 (WHITE)**

Dietary management of Phenylketonuria (PKU) over 3 years of age

**PKU AIR20 (YELLOW)**

Dietary management of Phenylketonuria (PKU) over 3 years of age

**PKU ANAMIX FIRST SPOON**

For use in the dietary management of proven phenylketonuria for 6 months to 5 years of age.

**PKU ANAMIX INFANT**

For use in the dietary management of proven phenylketonuria in infants from birth to 12 months and as a supplementary feed up to 3 years of age.

**PKU ANAMIX JUNIOR (FLAVOURED AND NEUTRAL) (formerly MINAPHLEX FLAVOURED & UNFLAVOURED)**

For use in the dietary management of children with phenylketonuria.

**PKU ANAMIX JUNIOR LQ**

For use in the dietary management of phenylketonuria for children aged 1-10 years of age.

**PKU COOLER 10**

For use in the dietary management of phenylketonuria for people over 3 years of age.

**PKU COOLER 15**

For use in the dietary management of phenylketonuria for people over 3 years of age.



**PKU COOLER 20**

For use in the dietary management of phenylketonuria for people over 3 years of age.

**PKU EASY LIQUID (MIXED BERRY AND ORANGE CITRUS FLAVOURS)**

For the dietary management of phenylketonuria in patients from 3 years and older.

**PKU EASY MICROTABS**

For the dietary management of phenylketonuria in people 8 years and older.

**PKU EASY SHAKE & GO**

For the dietary management of phenylketonuria in patients from 3 years and older.

**PKU EXPLORE 5 (UNFLAVOURED)**

For the dietary management of phenylketonuria.

**PKU EXPLORE 10 (ORANGE AND RASPBERRY FLAVOURS)**

For the dietary management of phenylketonuria.

**PKU EXPRESS 15**

Phenylketonuria

**PKU EXPRESS 20**

Phenylketonuria

**PKU-GEL**

As part of the low-protein dietary management of phenylketonuria in children aged one to ten years. Not recommended for children under one year of age.

**PKU GMPRO**

For the dietary management of phenylketonuria.

**PKU GMPRO LQ**

For the dietary management of phenylketonuria.

**PKU GO**

For the dietary management of phenylketonuria in children from 9 months to 10 years of age.

**PKU GOLIKE PLUS 3-16**

For the dietary management of phenylketonuria.

**PKU LOPHLEX (NEUTRAL, ORANGE AND BERRIES FLAVOURS) (formerly LOPHLEX (UNFLAVOURED, ORANGE FLAVOUR AND BERRY FLAVOUR))**

For use in the dietary management of proven phenylketonuria in older children from 3 years onwards and adults (includes use in pregnant women).

**PKU LOPHLEX LQ 10 (BERRY, JUICY BERRIES, JUICY CITRUS, JUICY ORANGE AND JUICY TROPICAL FLAVOURS)**

For use in the dietary management of proven phenylketonuria in children aged 4 years and above and adults (includes use in pregnant women).

**PKU LOPHLEX LQ 20 (BERRY, JUICY BERRIES, JUICY CITRUS, JUICY ORANGE, JUICY TROPICAL AND ORANGE FLAVOURS)**

For use in the dietary management of proven phenylketonuria in children aged 4 years and above and adults (includes use in pregnant women).

**PKU LOPHLEX SENSATION 20 (BERRIES FLAVOUR) (formerly PKU LOPHLEX SENSATION 20 (BERRIES AND ORANGE FLAVOURS))**

For the dietary management of proven phenylketonuria in children aged 4 years and above and adults (includes use in pregnant women)

**PKU MAXAMUM (ORANGE AND UNFLAVOURED)**

Phenylketonuria. Not to be prescribed for children under 8 years old.  
Tyrosinaemia

**PKU SPHERE15 (CHOCOLATE, RED BERRY AND VANILLA FLAVOURS)**

For the dietary management of phenylketonuria.

**PKU SPHERE20 (CHOCOLATE, RED BERRY AND VANILLA FLAVOURS)**

For the dietary management of phenylketonuria.

**PKU SQUEEZIE**

For use in the dietary management of phenylketonuria.

**PKU START**

For use in the dietary management of phenylketonuria.

**PKU SYNERGY**

For the dietary management of proven phenylketonuria and hyperphenylalaninaemia.

**POLYCAL (LIQUID & POWDER)**

Disease related malnutrition, malabsorption states or other conditions requiring fortification with a high or readily available carbohydrate supplement.

**PREGESTIMIL LIPIL**

Disaccharide and/or whole protein intolerance, or where amino acids or peptides are indicated in conjunction with MCT.

**PRO-CAL POWDER (formerly PRO-CAL)**

Disease-related malnutrition, malabsorption states or other conditions requiring fortification with a fat / carbohydrate supplement (with protein). Suitable from one year of age.

**PRO-CAL SHOT**

Disease-related malnutrition, malabsorption states or other conditions requiring fortification with a fat/carbohydrate supplement (with protein). Suitable from three years.

**PRO-CAL SHOT STARTER PACK**

Disease-related malnutrition, malabsorption states or other conditions requiring fortification with a fat/carbohydrate supplement (with protein). Suitable from three years.

**PROCELI PRODUCTS**

See: Gluten-Free Products

**PROMIN LOW-PROTEIN PRODUCTS**

See: Low-Protein Products

**PROMIN LP MAC POT**

See Also: Low-Protein Products

For patients with phenylketonuria and amino acid disorders.

**PROMIN LP POTATO POT**

See Also: Low-Protein Products

For patients with phenylketonuria and amino acid disorders.

**PROMIN LP X-POT**

See Also: Low-Protein Products

For patients with phenylketonuria and amino acid disorders.

**PROSOBEE LIQUID AND POWDER**

Proven lactose and associated sucrose intolerance in pre-school children, galactokinase deficiency, galactosaemia and proven whole cows milk sensitivity.

**PROSOURCE JELLY (BLACKCURRANT, FRUIT PUNCH, LIME AND ORANGE FLAVOURS)**

Hypoproteinaemia.

**PROSOURCE LIQUID**

Biochemically proven hypoproteinaemia.

**PROSOURCE PLUS**

Hypoproteinaemia.

**PROSOURCE TF**

Hypoproteinaemia.

**PROSURE**

For pancreatic cancer, oesophageal cancer and patients with lung cancer who are undergoing chemotherapy.

**PROTIFAR**

Biochemically proven hypoproteinaemia.

**PROZERO**

For use in the dietary management of inherited metabolic disorders.

**RENAMIL**

Chronic renal failure. Not suitable for infants and young children under one year of age.

**RENAPRO**

Dialysis and hypoproteinaemia. Not suitable for infants and children under one year of age.

**RENAPRO SHOT (COLA, PEACH AND WILD BERRY FLAVOURS)**

For the dietary management of hypoproteinaemia.

**RENASTART**

For the dietary management of renal failure from birth to 10 years of age.

**RENASTEP**

For the dietary management of renal failure from 3 years of age.

**RENAVIT**

For the dietary management of water soluble vitamin deficiency in renal failure patients receiving dialysis.

**RENILON 7.5**

For use as a necessary nutritional supplement prescribed on medical grounds for: Short bowel syndrome, intractable malabsorption, pre-operative preparation of patients who are undernourished, patients with proven inflammatory bowel disease, following total gastrectomy, bowel fistulae, disease-related malnutrition. Not to be prescribed for any child under three years of age.

**RESOURCE 2.0 FIBRE**

For use as the sole source of nutrition, or as a necessary nutritional supplement prescribed on medical grounds for: Short bowel syndrome, intractable malabsorption, pre-operative preparation of patients who are undernourished, patients with proven inflammatory bowel disease, following total gastrectomy, dysphagia, bowel fistulae, disease-related malnutrition. Not to be prescribed for any child under 6 years of age; use with caution for children up to ten years of age.

**RESOURCE ENERGY (CHOCOLATE, STRAWBERRY & RASPBERRY AND VANILLA FLAVOURS)**

For use as the sole source of nutrition or as a necessary nutritional supplement prescribed on medical grounds for: Short bowel syndrome, intractable malabsorption, pre-operative preparation of patients who are undernourished, proven inflammatory bowel disease, following total gastrectomy, dysphagia and disease related malnutrition.

**RESOURCE JUNIOR**

For use as the sole source of nutrition or as a nutritional supplement prescribed on medical grounds for: Disease-related malnutrition, short bowel syndrome, intractable malabsorption, pre-operative preparation of undernourished patients, proven inflammatory bowel disease, following total gastrectomy, bowel fistulae and dysphagia. Not to be prescribed for any child under one year.

**RESOURCE READY THICKENED DRINKS**

Dysphagia. Not suitable for infants and children under one year of age.

**RESOURCE THICKENUP WITHOUT VITAMINS AND MINERALS**

Thickening of foods in dysphagia. Not to be prescribed for children under three years of age.

**RESOURCE THICKENUP CLEAR**

Patients requiring thickening of liquid or food for the management of dysphagia.

**RESPIFOR**

For the dietary management of disease related malnutrition in patients with chronic obstructive pulmonary disease (COPD) with a body mass index (BMI) of less than 20.

**RETENERE**

This product may help maintain vision following assessment by a Consultant Ophthalmologist for patients with a specific stage of AMD.

**RIZOPIA GLUTEN-FREE PRODUCTS**

See: Gluten-Free Products

**SCANDISHAKE MIX FLAVOURED AND UNFLAVOURED**

Disease related malnutrition, malabsorption states or other conditions requiring fortification with a fat/carbohydrate supplement.

**SIMILAC HIGH ENERGY**

As a sole source of nutrition or as a nutritional supplement for infants and young children up to 8kg body weight who have faltering growth, increased energy requirements and/or require a fluid restriction.

**SLO DRINKS STAGE 1: IDDSI 2 MILDLY THICK (ORANGE AND BLACKCURRANT FLAVOURS)**

For the dietary management of dysphagia.

**SLO DRINKS STAGE 2: IDDSI 3 MODERATELY THICK (ORANGE AND BLACKCURRANT FLAVOURS)**

For the dietary management of dysphagia.

**SLO MILKSHAKES+IDDSI 1 SLIGHTLY THICK (BANANA, CHOCOLATE AND STRAWBERRY FLAVOURS)**

Dysphagia.

**SLO MILKSHAKES+IDDSI 2 MILDLY THICK (BANANA, CHOCOLATE AND STRAWBERRY FLAVOURS)**

Dysphagia.

**SLO MILKSHAKES+IDDSI 3 MODERATELY THICK (BANANA, CHOCOLATE AND STRAWBERRY FLAVOURS)**

Dysphagia

**SLO MILKSHAKES+IDDSI 4 EXTREMELY THICK (BANANA, CHOCOLATE AND STRAWBERRY FLAVOURS)**

Dysphagia.

**SMA ALFAMINO**

For complete nutritional support from birth or supplementary feeding from 6 months up to 3 years of age for the dietary management of cows' milk allergy and/or multiple food allergies and other conditions where an amino acid formula is recommended.

**SMA ALTHERA**

Complete nutritional support from birth or supplementary feeding from 6 months and up to 3 years for the dietary management of cows' milk protein allergy and/or multiple food protein allergies.

**SMA Anti-Reflux**

For the dietary management of babies when significant reflux (regurgitation) is a problem and not to be used in conjunction with any other thickener or antacid products.

**SMA Gold Prem 2 Liquid**

For the dietary management of preterm and low birthweight infants.

**SMA Gold Prem 2 Powder**

For the dietary management of preterm and low birthweight infants.

**SMA HIGH ENERGY**

Disease-related malnutrition, malabsorption and growth failure in infancy.

**SMA LF**

Proven lactose intolerance

**SMA PRO HIGH ENERGY**

Disease-related malnutrition, malabsorption, and growth failure in infancy.

**S.O.S. 10**

For use in the dietary management of inherited metabolic disorders.

**S.O.S. 15**

For use in the dietary management of inherited metabolic disorders.

**S.O.S. 20**

For use in the dietary management of inherited metabolic disorders.

**S.O.S. 25**

For use in the dietary management of inherited metabolic disorders.

**SUNSENSE ULTRA (EGO) SPF 50+**

When prescribed for skin protection against ultraviolet radiation and/or visible light in abnormal cutaneous photosensitivity causing severe cutaneous reactions in genetic disorders (including xeroderma pigmentosum and porphyrias), severe photodermatoses (both idiopathic and acquired) and in those with increased risk of ultraviolet radiation causing severe adverse effects due to chronic disease (such as haematological malignancies), medical therapies and/or procedures.

**SUPPORTAN DRINK**

For the dietary management of patients with pancreatic cancer and patients with lung cancer undergoing chemotherapy. Not to be prescribed for any child under three years; use with caution for young children up to six years of age.

**SUPRESSI 1.28 KCAL COMPLETE See ENERGIESHAKE ADVANCE 1.3KCAL (CHOCOLATE AND VANILLA FLAVOURS)****SURVIMED OPD**

As a necessary nutritional supplement prescribed on medical grounds for:  
Short bowel syndrome, intractable malabsorption, pre-operative preparation of patients who are undernourished, patients with proven inflammatory bowel disease, following total gastrectomy, dysphagia, bowel fistulae, disease-related malnutrition and/or growth failure. Not to be prescribed for any child under three years; use with caution for young children up to six years of age.

**SURVIMED OPD 1.5KCAL (CAPPUCCINO FLAVOUR)**

For the dietary management of disease-related malnutrition, short bowel syndrome, intractable malabsorption, pre-operative preparation of malnourished patients, proven inflammatory bowel disease, following total gastrectomy, bowel fistulae.

**SURVIMED OPD HN**

Indication: For the dietary management of patients with or at risk of malnutrition for the following indications:  
Short bowel syndrome, intractable malabsorption, pre-operative preparation of undernourished patients, inflammatory bowel disease, total gastrectomy, dysphagia, bowel fistulae, haemodialysis, continuous ambulatory peritoneal dialysis and disease related malnutrition. Not to be prescribed for any child under three years; use with caution for young children up to six years of age.

**SWALLOWEZE CLEAR**

For the dietary management of dysphagia.

**TARANIS LOW-PROTEIN PRODUCTS**

See: Low-Protein Products

**TENTRINI**

As indicated for:- Short bowel syndrome, intractable malabsorption, pre operative preparation of undernourished patients, inflammatory bowel disease, total gastrectomy, bowel fistulae, dysphagia, disease related malnutrition and growth failure.

**TENTRINI ENERGY**

As indicated for:- Short bowel syndrome, intractable malabsorption, pre operative preparation of undernourished patients, inflammatory bowel disease, total gastrectomy, bowel fistulae, dysphagia, disease related malnutrition and growth failure.

**TENTRINI ENERGY MULTI FIBRE**

As indicated for:- Short bowel syndrome, intractable malabsorption, pre operative preparation of undernourished patients, inflammatory bowel disease, total gastrectomy, dysphagia, disease related malnutrition and growth failure.

**TENTRINI MULTI FIBRE**

As indicated for:- Short bowel syndrome, intractable malabsorption, pre operative preparation of undernourished patients, inflammatory bowel disease, total gastrectomy, dysphagia, disease related malnutrition and growth failure.

**THICK AND EASY ORIGINAL (formerly THICK AND EASY)**

Thickening of foods in dysphagia. Not to be prescribed for children under one year old except in cases of failure to thrive.

**THICK AND EASY CLEAR**

Designed to easily thicken food and fluids for patients who have difficulty swallowing (dysphagia). For the dietary management of conditions such as stroke, Parkinson's disease, muscular dystrophy, motor neurone disease, multiple sclerosis, malignancies of the oral cavity and throat, neurological disorders caused by injury or disease.

**THICKEN AID**

Thickening of foods in dysphagia.

**THIXO-D ORIGINAL**

Thickening of foods in dysphagia. Not to be prescribed for children under one year old except in cases of failure to thrive.

**TOBIA TEFF PRODUCTS**

See: Gluten-Free Products

**TRITAMYL PRODUCTS**

See: Gluten-Free Products

**TWOCAL BOLUS**

For adults with or at risk of disease related malnutrition, for catabolic or fluid-restricted patients and other patients requiring a 2 kcal/ml feed.

**TWOCAL RTH**

For use as an enteral feed for adults with or at risk of disease related malnutrition, for catabolic or fluid-restricted patients and other patients requiring a 2 kcal/ml feed.

**TYR ANAMIX INFANT**

For use in the dietary management of proven tyrosinaemia when plasma methionine is normal in infants from birth to 12 months and as a supplementary feed up to 3 years of age

**TYR ANAMIX JUNIOR**

For the dietary management of proven tyrosinaemia in children aged 1-10 years.

**TYR ANAMIX JUNIOR LQ ORANGE**

For the dietary management of children with Tyrosinaemia Type I (when NTBC used), Type II and Type III aged 1 year and over.

**TYR COOLER 10**

For use in the nutritional management of the inherited metabolic disorder of Tyrosinaemia, aged 3 years and above.

**TYR COOLER 15**

For use in the nutritional management of the inherited metabolic disorder of Tyrosinaemia, aged 3 years and above.

**TYR COOLER 20**

For use in the nutritional management of the inherited metabolic disorder of Tyrosinaemia, aged 3 years and above.

**TYR EASY SHAKE AND GO**

For the dietary management of tyrosinaemia.

**TYR EXPLORE 5**

For the dietary management of tyrosinaemia.

**TYR EXPRESS 15**

For the dietary management of Tyrosinaemia in patients aged 8 years and over.

**TYR EXPRESS 20**

For the dietary management of Tyrosinaemia in patients aged 8 years and over.

**TYR GEL**

A Tyrosine and Phenylalanine free protein substitute for use in the dietary management of Tyrosinaemia, approved for patients between the ages 12 months and 10 years.

**TYR LOPHLEX**

For the dietary management of tyrosinaemia (TYR) in children aged 3 years onwards and adults, including pregnant women (in conjunction with standard folic acid supplementation).

**TYR LOPHLEX LQ 10 JUICY BERRIES**

For the dietary management of proven Tyrosinaemia.

**TYR LOPHLEX LQ 20 JUICY BERRIES**

For the dietary management of proven Tyrosinaemia.

**TYR SPHERE 20**

For the dietary management of tyrosinaemia.

**TYROSINE1000**

For use in the dietary management of inborn errors of amino acid metabolism from three years of age onwards.

**UCD AMINO5**

For use in the dietary management of urea cycle disorders (UCD). Suitable from birth.

**ULTRA GLUTEN-FREE AND LOW-PROTEIN PRODUCTS**

See: Gluten-Free and Low-Protein Products

**UVISTAT LIPSCREEN SPF 50**

When prescribed for skin protection against ultraviolet radiation and/or visible light in abnormal cutaneous photosensitivity causing severe cutaneous reactions in genetic disorders (including xeroderma pigmentosum and porphyrias), severe photodermatoses (both idiopathic and acquired) and in those with increased risk of ultraviolet radiation causing adverse effects due to chronic disease (such as haematological malignancies), medical therapies and/or procedures.

**UVISTAT SUNCREAM SPF 30**

When prescribed for skin protection against ultraviolet radiation and/or visible light in abnormal cutaneous photosensitivity causing severe cutaneous reactions in genetic disorders (including xeroderma pigmentosum and porphyrias), severe photodermatoses (both idiopathic and acquired) and in those with increased risk of ultraviolet radiation causing adverse effects due to chronic disease (such as haematological malignancies), medical therapies and/or procedures.

**UVISTAT SUNCREAM SPF 50**

When prescribed for skin protection against ultraviolet radiation and/or visible light in abnormal cutaneous photosensitivity causing severe cutaneous reactions in genetic disorders (including xeroderma pigmentosum and porphyrias), severe photodermatoses (both idiopathic and acquired) and in those with increased risk of ultraviolet radiation causing adverse effects due to chronic disease (such as haematological malignancies), medical therapies and/or procedures.

**VALINE50**

For use in the dietary management of inborn errors of amino acid metabolism from birth.

**VEIL COVER CREAM**

See: Covering Creams

**VEIL FINISHING POWDER**

See: Covering Creams

**VICHY PRODUCTS**

See: Covering Creams

**VITA-BITE**

Inherited metabolic disorders, renal or liver failure requiring a low protein diet. Not recommended for any child under one year of age.

**VITAFLO CHOICES MINI CRACKERS**

For the dietary management of inborn errors of protein metabolism.

**VITAFLO FLAVOUR PAC**

Specifically designed to use in conjunction with Vitaflo's Inborn Error range of protein substitutes.

**VITAJOULE**

For use in the dietary management of disease related malnutrition, malabsorption states, other conditions requiring fortification with carbohydrate and as a carbohydrate source in modular feeds.

**VITAL 1.5kcal**

For adults with disease-related malnutrition, short bowel syndrome, intractable malabsorption, bowel fistulae, inflammatory bowel disease, total gastrectomy and for the pre-operative preparation of patients who are malnourished.

**VITAMIN & MINERAL PREPARATIONS**

Only in the management of actual or potential vitamin or mineral deficiency; not to be prescribed as dietary supplements or "pick-me-ups".

**WARBURTONS GLUTEN-FREE PRODUCTS**

See: Gluten-Free Products

**WELLFOODS GLUTEN-FREE PRODUCTS**

See: Gluten-Free Products

**WYSOY**

Proven lactose and associated sucrose intolerance in pre-school children, galactokinase deficiency, galactosaemia and proven whole cows milk sensitivity.

**XLYS TRY GLUTARIDON**

Type 1 glutaric aciduria

**XMET HOMIDON**

Homocystinuria or hypermethioninaemia

**XMTVI ASADON**

Methylmalonic acidaemia or propionic acidaemia

**XPHE JUMP 10 (COLA, NEUTRAL, ORANGE, TROPICAL, VANILLA AND WILD BERRIES FLAVOURS)**

For the dietary management of Phenylketonuria (PKU) or Hyperphenylalaninemia (HPA).

**XPHE JUMP 20 (COLA, NEUTRAL, ORANGE, TROPICAL, VANILLA AND WILD BERRIES FLAVOURS)**

For the dietary management of Phenylketonuria (PKU) or Hyperphenylalaninemia (HPA).

**XPHEN TYR TYROSIDON**

Tyrosinaemia where plasma methionine levels are normal

**YOGUMAXX**

For the dietary management of inherited metabolic disorders requiring a low protein diet.



**Part X****Borderline Substances****List B**

This is a cross index listing clinical conditions and the products which the ACBS has approved for the management of those conditions. It is essential to consult LIST A for more precise guidance.

**AMINO ACID METABOLIC DISORDERS AND SIMILAR PROTEIN DISORDERS**

Basecal100  
Basecal200  
Cystine500  
Histidinaemia  
Homocystinuria  
Isoleucine50  
Leucine100  
Low-Protein Products  
Maple Syrup Urine Disease  
Phenylketonuria  
Phenylalanine50  
Promin LP Mac Pot  
Promin LP Potato Pot  
Promin LP X-Pot  
Synthetic Diets  
Tyrosinaemia  
Tyrosine1000  
Valine50  
VitaFlo Choices Mini Crackers

**BIRTHMARKS**

See: Disfiguring Skin Lesions

**BOWEL FISTULAE**

Altrajuce  
Altrajuce Starter Pack  
Altraplen Compact  
Altraplen Compact Starter Pack  
Altraplen Protein  
Altraplen Protein Starter Pack  
Aymes 2.0 kcal  
Aymes ActaCal Creme  
Aymes ActaCal Creme Starter Pack  
Aymes ActaGain 2.4 Complete Maxi  
Aymes ActaGain 2.4 Complete Maxi Starter Pack  
Aymes ActaGain 600  
Aymes ActaGain 600 Starter Pack  
Aymes ActaJuce  
Aymes ActaJuce Starter Pack  
Aymes ActaSolve Delight  
Aymes ActaSolve Delight Starter Pack  
Aymes ActaSolve High Energy  
Aymes ActaSolve High Energy Starter Pack  
Aymes ActaSolve Protein Compact  
Aymes ActaSolve Protein Compact Starter Pack  
Aymes ActaSolve Savoury  
Aymes ActaSolve Smoothie  
Aymes ActaSolve Smoothie Starter Pack  
Aymes Complete  
Aymes Complete Starter Pack  
Aymes Shake  
Aymes Shake Compact

Aymes Shake Compact Starter Pack  
Aymes Shake Fibre  
Aymes Shake Fibre Starter Pack  
Aymes Shake Starter Pack  
Complan Shake (as a supplement)  
Complan Shake Starter Pack (as a supplement)      **NEW**  
Elemental 028 Extra  
Elemental 028 Extra (Liquid)  
Emsogen  
Energieshake 2.0  
Energieshake Dessert  
Energieshake Powder  
Energieshake Powder Starter Pack  
Ensure  
Ensure Plus Commence (as a supplement)  
Ensure Plus Creme (as a supplement)  
Ensure Plus Fibre  
Ensure Plus Juice (as a supplement)  
Ensure Plus Liquid Feed (as a supplement)  
Ensure Plus Milk Shake Style (as a supplement)  
Ensure Plus Savoury (as a supplement)  
Ensure Plus Yoghurt Style (as a supplement)  
Ensure Shake (Banana, Chocolate, Strawberry and Vanilla Flavours)  
Ensure TwoCal  
Foodlink Complete  
Foodlink Complete Starter Pack  
Foodlink Complete with Fibre  
Foodlink Complete with Fibre Starter Pack  
Forticreme Complete (as a supplement)  
Fortijuice (as a supplement)  
Fortijuice Starter Pack (as a supplement)  
Fortisip 2kcal  
Fortisip Bottle (as a supplement)  
Fortisip Compact  
Fortisip Compact Fibre  
Fortisip Compact Fibre Starter Pack  
Fortisip Compact Protein  
Fortisip Compact Protein Starter Pack  
Fortisip Compact Starter Pack  
Fortisip Extra (as a supplement)  
Fortisip Range Starter Pack (as a supplement)  
Fortisip Yogurt Style  
Frebini  
Frebini Energy  
Frebini Energy Drink (Strawberry and Banana Flavours)  
Frebini Energy Fibre  
Frebini Energy Fibre Drink  
Frebini Original Fibre  
Fresubin 1000 Complete  
Fresubin 1200 Complete  
Fresubin 1800 Complete  
Fresubin 2250 Complete  
Fresubin 2Kcal Creme  
Fresubin 2Kcal Drink  
Fresubin 2Kcal Drink Starter Pack  
Fresubin 2Kcal Fibre Drink  
Fresubin 2Kcal Fibre Mini Drink  
Fresubin 2Kcal HP  
Fresubin 2Kcal HP Fibre  
Fresubin 2Kcal Mini Drink  
Fresubin 3.2Kcal Drink  
Fresubin Dessert Fruit  
Fresubin Energy  
Fresubin Energy Fibre Sip Feed  
Fresubin Energy Fibre (Neutral) Tube Feed  
Fresubin Energy Starter Pack  
Fresubin HP Energy (as a supplement)

Fresubin HP Energy Fibre  
Fresubin Jucy Drink  
Fresubin Jucy Drink Starter Pack  
Fresubin Original Drink and Fresubin Tube Feed  
Fresubin Powder Extra  
Fresubin Powder Extra Starter Pack  
Fresubin Protein Energy Drink (as a supplement)  
Fresubin Soya Fibre  
Infatrini Peptisorb  
Isosource Junior Mix  
Jevity  
Jevity 1.5kcal  
Jevity Plus  
Jevity Plus HP  
Jevity Promote  
Modulen IBD  
Nutilus Complete Creme Level 3  
Nutilus Complete Drink Level 3  
Nutricomp Drink Plus  
Nutricomp Drink Plus Fibre  
Nutricrem  
Nutricrem Starter Pack  
Nutrini  
Nutrini Energy  
Nutrini Multifibre  
Nutrini Peptisorb  
Nutrini Peptisorb Energy  
Nutrison  
Nutrison Energy (as a supplement)  
Nutrison Energy Multifibre  
Nutrison Energy Multi Fibre Vanilla (as a supplement)  
Nutrison MCT (as a supplement)  
Nutrison Multifibre  
Nutrison Peptisorb  
Nutrison Peptisorb Plus HEHP  
Nutrison Protein Plus Energy  
Optifibre (as a supplement)  
Osmolite  
Osmolite 1.5 kcal (as a supplement)  
Osmolite Plus  
PaediaSure  
PaediaSure Fibre  
PaediaSure Peptide  
PaediaSure Plus  
PaediaSure Plus Fibre  
Peptamen  
Peptamen AF  
Peptamen HN  
Peptamen Junior 1.5  
Peptamen Junior Advance  
Peptamen Junior Liquid  
Peptamen Junior Powder  
Perative (as a supplement)  
Renilon 7.5  
Resource 2.0 Fibre  
Resource Energy  
Resource Junior (as a supplement)  
Survimed OPD (as a supplement)  
Survimed OPD 1.5kcal  
Survimed OPD HN  
Tentrini  
Tentrini Energy  
Vital 1.5kcal

**CALCIUM INTOLERANCE**

Locasol

**CARBOHYDRATE MALABSORPTION**

for definition of lactose or sucrose intolerance see List A page 1

- Pro-Cal Powder
- Pro-Cal shot
- Pro-Cal shot starter pack
- Vitasavoury
- Vitasavoury starter pack
- See: Synthetic Diets
- Malabsorption States
- a) Disaccharide intolerance (without isomaltose intolerance)
  - Aptamil Pepti-Junior
  - Duocal (Super Soluble)
  - Maxijul Super Soluble
  - Nutramigen 1 with LGG
  - Nutramigen 2 with LGG
  - Nutrison Soya
  - Nutrison Soya Multifibre
  - Pepdite 1+
  - Polycal (Liquid & Powder)
  - Pregestimil Lipil
  - Pro-Cal Powder
  - Pro-Cal shot
  - Pro-Cal shot starter pack
  - Vitajoule
  - Vitasavoury
  - Vitasavoury starter pack
- See: Lactose intolerance
- Lactose with associated sucrose intolerance
- b) Isomaltose intolerance
  - Glucose
- c) Glucose + galactose intolerance
  - Fructose
  - Galactomin 19 (Fructose Formula)
- d) Lactose intolerance
  - Aptamil Pepti 1
  - Care-Co Lactase Infant Drops
  - Colief
  - Elecare
  - Enfamil O-Lac
  - Fresubin Soya Fibre
  - Neocate LCP
  - Neocate Spoon
  - Neocate Syneo
  - Nutramigen 1 with LGG
  - Nutramigen PurAmino
  - Nutrison Soya
  - Nutrison Soya Multifibre
  - Pepdite 1+
  - Pepdite 1+ (Banana Flavour)
  - Pregestimil Lipil
  - Prosobee liquid and powder
  - SMA Alfamino
  - SMA Althera
  - SMA LF
  - Wysoy (in pre school children)
- e) Lactose with associated sucrose intolerance
  - Aptamil Pepti-Junior
  - Nutramigen 1 with LGG
  - Nutrison Soya
  - Nutrison Soya Multifibre
  - Pregestimil Lipil
  - Prosobee liquid and powder
  - Wysoy (in pre school children)
- f) Sucrose intolerance
  - Glucose (dextrose)
- See: Synthetic Diets
- Malabsorption

Lactose with associated sucrose intolerance

**CARNITINE PALMITOYL TRANSFERASE DEFICIENCY (CPTD)**

Monogen

**COELIAC DISEASE AND DERMATITIS HERPETIFORMIS**

Barkat brown rice pizza crust  
 Barkat gluten-free all purpose flour mix  
 Barkat gluten-free biscuits  
 Barkat gluten-free bread mix  
 Barkat gluten-free bread and cake mix  
 Barkat gluten-free brown rice bread  
 Barkat gluten-free buckwheat pasta (penne, spirals)  
 Barkat gluten-free cornflakes  
 Barkat gluten-free crackers  
 Barkat gluten-free crispbread  
 Barkat gluten-free digestive biscuits  
 Barkat gluten-free hi-fibre bread mix  
 Barkat gluten-free home fresh bread rolls  
 Barkat gluten-free home fresh country loaf  
 Barkat gluten-free lasagne  
 Barkat gluten-free multigrain rice bread  
 Barkat gluten-free par-baked baguettes  
 Barkat gluten-free par-baked rolls  
 Barkat gluten-free par-baked white bread  
 Barkat gluten-free par-baked white sliced bread  
 Barkat gluten-free pasta (alphabet, animal shapes, macaroni, shells, spaghetti, spirals, tagliatelle)  
 Barkat gluten-free porridge flakes  
 Barkat gluten-free potato pasta gnocchi  
 Barkat gluten-free round crackers  
 Barkat gluten-free white rice bread  
 Barkat gluten-free wholemeal sliced bread  
 Barkat gluten-free xanthan gum  
 Barkat white rice pizza crust  
 BiAlimenta gluten-free pasta (acini di pepe (pasta grains), formati misti (variety pack), penne, sagnette, spirali (spirals), tubetti)  
 BiAlimenta gluten-free potato pasta gnocchi  
 BiAlimenta gluten-free potato pasta perle di gnocchi  
 Dietary Specials gluten-free cracker bread  
 Dietary Specials gluten-free pizza bases  
 Dietary Specials gluten-free white multigrain sliced loaf  
 Ener-G gluten-free brown rice bread  
 Ener-G gluten-free cookies (vanilla flavour)  
 Ener-G gluten-free dinner rolls  
 Ener-G gluten-free pizza bases  
 Ener-G gluten-free rice loaf  
 Ener-G gluten-free Seattle brown loaf  
 Ener-G gluten-free Seattle brown rolls (hamburgers)  
 Ener-G gluten-free Seattle brown rolls (hot dogs)  
 Ener-G gluten-free tapioca bread  
 Ener-G gluten-free white long rolls  
 Ener-G gluten-free white rice bread  
 Ener-G gluten-free white round rolls  
 Ener-G gluten-free xanthan gum  
 Finax gluten-free coarse flour mix  
 Finax gluten-free fibre bread mix  
 Finax gluten-free flour mix  
 General Dietary gluten-free rice pasta (lasagne, macaroni, small shells, spaghetti, vermicelli)  
 Genius gluten-free sandwich bread (brown sliced)  
 Genius gluten-free sandwich bread (white sliced)  
 Genius gluten-free seeded brown farmhouse sliced loaf  
 Glutafin Crisp Bread  
 Glutafin gluten-free 4 white rolls  
 Glutafin gluten-free baguettes  
 Glutafin gluten-free bread mix  
 Glutafin gluten-free cornflakes

Glutafin gluten-free crackers  
Glutafin gluten-free digestive biscuits  
Glutafin gluten-free fibre bread mix  
Glutafin gluten-free fibre flakes  
Glutafin gluten-free fibre loaf (sliced)  
Glutafin gluten-free high fibre loaf  
Glutafin gluten-free mini crackers  
Glutafin gluten-free multipurpose white mix  
Glutafin gluten-free part-baked 2 long white rolls  
Glutafin gluten-free part-baked 4 fibre rolls  
Glutafin gluten-free part-baked 4 white rolls  
Glutafin gluten-free pasta (long-cut spaghetti, macaroni penne, spirals)  
Glutafin gluten-free pasta fibre (fusilli)  
Glutafin gluten-free pizza base  
Glutafin gluten-free shortbread biscuit  
Glutafin gluten-free tea biscuits  
Glutafin gluten-free white loaf (sliced)  
Glutafin gluten-free Select bread mix  
Glutafin gluten-free Select fibre bread mix  
Glutafin gluten-free Select fibre loaf (sliced)  
Glutafin gluten-free Select fresh brown loaf (sliced)  
Glutafin gluten-free Select fresh seeded loaf (sliced)  
Glutafin gluten free Select fresh white loaf (sliced)  
Glutafin gluten-free Select multipurpose fibre mix  
Glutafin gluten-free Select multipurpose white mix  
Glutafin gluten-free Select seeded loaf (sliced)  
Glutafin gluten-free Select white loaf (sliced)  
Glutafin gluten-free wheat-free fibre mix  
Gratis gluten-free pasta (alphabets, macaroni, shells, short cut spaghetti, spirals)  
Heron Foods Organic gluten-free bread mix  
Heron Foods Organic gluten-free hi-fibre bread mix  
Innovative Solutions Pure brown rice flour  
Innovative Solutions Pure potato flour  
Innovative Solutions Pure gluten-free blended flour  
Innovative Solutions Pure xanthan gum  
Innovative Solutions Pure tapioca flour  
Innovative Solutions Pure teff brown flour  
Innovative solutions Pure teff white flour  
Innovative Solutions Pure white rice flour  
Just: gluten-free good white bread  
Just: gluten-free good white rolls  
Just: gluten-free white sandwich bread  
Juvela gluten-free bread rolls  
Juvela gluten-free cornflakes  
Juvela gluten-free crackers  
Juvela gluten-free crispbread  
Juvela gluten-free crispy rice cereal  
Juvela gluten-free digestive biscuits  
Juvela gluten-free fibre bread rolls  
Juvela gluten-free fibre flakes  
Juvela gluten-free fibre linguine  
Juvela gluten-free fibre loaf (sliced and unsliced)  
Juvela gluten-free fibre mix  
Juvela gluten-free fibre penne  
Juvela gluten-free flakes  
Juvela gluten-free fresh fibre rolls  
Juvela gluten-free fresh white rolls  
Juvela gluten-free fresh sliced fibre loaf  
Juvela gluten-free fresh sliced white loaf  
Juvela gluten-free harvest mix  
Juvela gluten-free lasagne  
Juvela gluten-free loaf (sliced and unsliced)  
Juvela gluten-free mix  
Juvela gluten-free part-baked bread rolls  
Juvela gluten-free part-baked fibre bread rolls  
Juvela gluten-free part-baked fibre loaf  
Juvela gluten-free part-baked loaf

Juvela gluten-free pasta (fusilli, lasagne, macaroni, spaghetti)  
Juvela gluten-free pizza base  
Juvela gluten-free pure oats  
Juvela gluten-free savoury biscuits  
Juvela gluten-free sweet biscuits  
Juvela gluten-free tagliatelle  
Juvela gluten-free tea biscuits  
Lifestyle gluten-free bread rolls  
Lifestyle gluten-free brown bread  
Lifestyle gluten-free high fibre bread  
Lifestyle gluten-free high fibre bread rolls  
Lifestyle gluten-free white bread  
Livwell gluten-free square dinner rolls (part baked)  
Livwell gluten-free white baguette  
Mrs Crimbles gluten-free bread mix  
Mrs Crimbles gluten-free fresh bread  
Mrs Crimbles gluten-free pastry mix  
Mums Mill gluten-free quick bread mix  
Nairns gluten-free oat porridge  
Nairns gluten-free wholegrain crackers  
Proceli part-baked baguettes  
Proceli pizza bases  
Proceli white flour  
Rizopia brown rice pasta (fusilli, lasagne, penne, spaghetti)  
Tobia Teff brown flour  
Tobia Teff white flour  
Tritamyl gluten-free brown bread mix  
Tritamyl gluten-free flour mix  
Tritamyl gluten-free white bread mix  
Ultra gluten-free crackerbread  
Ultra gluten-free pizza base  
Warburtons gluten-free brown bread  
Warburtons gluten-free brown rolls  
Warburtons gluten-free white bread  
Warburtons gluten-free white rolls  
Wellfoods gluten-free burger buns  
Wellfoods gluten-free flour alternative  
Wellfoods gluten-free loaf  
Wellfoods gluten-free pizza bases  
Wellfoods gluten-free rolls  
Wellfoods gluten-free sliced loaf

**CONTINUOUS AMBULATORY PERITONEAL DIALYSIS (CAPD)**

See: Dialysis

**CYSTIC FIBROSIS**

See: Malabsorption

**DERMATITIS**

Aveeno Cream

Aveeno Lotion

**DERMATITIS HERPETIFORMIS**

See: Established Gluten Sensitive Enteropathy

**DIALYSIS**

Nutritional Supplements for Haemodialysis or Continuous Ambulatory Peritoneal Dialysis (CAPD) patients.

Energieshake 2.0

Ensure Plus Commence

Ensure Plus Creme

Ensure Plus Fibre

Ensure Plus Juice

Ensure Plus Liquid Feed

Ensure Plus Milk Shake Style

Ensure Plus Savoury

Ensure Plus Yoghurt Style  
 Ensure TwoCal  
 Forticreme Complete  
 Fortisip 2kcal  
 Fresubin 2Kcal Creme  
 Fresubin 2Kcal Drink  
 Fresubin 2Kcal Drink Starter Pack  
 Fresubin 2Kcal Fibre Drink  
 Fresubin 2Kcal Fibre Mini Drink  
 Fresubin 2Kcal Mini Drink  
 Fresubin HP Energy  
 Fresubin HP Energy Fibre  
 Fresubin Jucy Drink  
 Fresubin Jucy Drink Starter Pack  
 Fresubin Protein Energy Drink  
 Jevity Plus HP  
 Kindergen  
 Nepro HP  
 Nutilis Fruit Dessert Level 4  
 Osmolite 1.5 kcal  
 Renapro  
 Renapro Shot  
 Renavit  
 Survimed OPD HN

#### DISACCHARIDE INTOLERANCE

See: Carbohydrate malabsorption

#### DISFIGURING SKIN LESIONS (BIRTHMARKS, MUTILATING LESIONS, AND SCARS)

Covermark Classic Foundation  
 Covermark Finishing Powder  
 Dermacolor Camouflage Cream  
 Dermacolor Fixing Powder  
 Keromask Finishing Powder  
 Keromask Masking Cream  
 Veil Cover Cream  
 Veil Finishing Powder

#### DYSPHAGIA

for definition, see List A page 1

Altraplen Compact  
 Altraplen Compact Starter Pack  
 Altraplen Protein  
 Altraplen Protein Starter Pack  
 Aymes Acusist Clear  
 Aymes Complete  
 Aymes Complete Starter Pack  
 Aymes Shake  
 Aymes Shake Starter Pack  
 Complian Shake (as a supplement)  
 Complian Shake Starter Pack (as a supplement) **NEW**  
 Energieshake 2.0  
 Energieshake Powder  
 Energieshake Powder Starter Pack  
 Ensure  
 Ensure Plus Commence (as a supplement)  
 Ensure Plus Creme (as a supplement)  
 Ensure Plus Fibre  
 Ensure Plus Juice (as a supplement)  
 Ensure Plus Liquid Feed (as a supplement)  
 Ensure Plus Milk Shake Style (as a supplement)  
 Ensure Plus Savoury (as a supplement)  
 Ensure Plus Yoghurt Style (as a supplement)  
 Ensure Shake (Banana, Chocolate, Strawberry and Vanilla Flavours)  
 Ensure TwoCal  
 Foodlink Complete  
 Foodlink Complete Starter Pack



Foodlink Complete with Fibre  
Foodlink Complete with Fibre Starter Pack  
Forticreme Complete (as a supplement)  
Fortijuice (as a supplement)  
Fortijuice Starter Pack (as a supplement)  
Fortisip 2kcal  
Fortisip Bottle (as a supplement)  
Fortisip Compact  
Fortisip Compact Fibre  
Fortisip Compact Fibre Starter Pack  
Fortisip Compact Protein  
Fortisip Compact Protein Starter Pack  
Fortisip Compact Starter Pack  
Fortisip Extra (as a supplement)  
Fortisip Range Starter Pack (as a supplement)  
Fortisip Yogurt Style  
Frebini  
Frebini Energy  
Frebini Energy Drink (Strawberry and Banana Flavours)  
Frebini Energy Fibre  
Frebini Energy Fibre Drink  
Frebini Original Fibre  
Fresubin 1000 Complete  
Fresubin 1500 Complete  
Fresubin 2250 Complete  
Fresubin 2Kcal Creme  
Fresubin 2Kcal Drink  
Fresubin 2Kcal Drink Starter Pack  
Fresubin 2Kcal Fibre Drink  
Fresubin 2Kcal Fibre Mini Drink  
Fresubin 2Kcal HP  
Fresubin 2Kcal HP Fibre  
Fresubin 2Kcal Mini Drink  
Fresubin 3.2Kcal Drink  
Fresubin Dessert Fruit  
Fresubin Energy  
Fresubin Energy Fibre Sip Feed  
Fresubin Energy Fibre (Neutral) Tube Feed  
Fresubin Energy Starter Pack  
Fresubin HP Energy (as a supplement)  
Fresubin Jucy Drink  
Fresubin Jucy Drink Starter Pack  
Fresubin Original Drink and Fresubin Original Tube Feed  
Fresubin Original Fibre  
Fresubin Powder Extra  
Fresubin Powder Extra Starter Pack  
Fresubin Protein Energy Drink (as a supplement)  
Fresubin Thickened (Level 2 and Level 3)  
Fresubin YOcreme  
Isosource Junior Mix  
Jevity  
Jevity Plus  
Jevity Plus HP  
Jevity Promote  
Jevity 1.5kcal  
Modulen IBD  
Multi-Thick (as a thickener)  
Nutilus Clear  
Nutilus Complete Creme Level 3  
Nutilus Complete Drink Level 3  
Nutilus Fruit Dessert Level 4  
Nutilus Powder (as a thickener)  
Nutricomp Drink Plus  
Nutricomp Drink Plus Fibre  
Nutricrem  
Nutricrem Starter Pack  
Nutrini

Nutrini Energy  
Nutrini Energy Multifibre  
Nutrini Low Energy Multifibre  
Nutrini Multifibre  
Nutrini Peptisorb  
Nutrini Peptisorb Energy  
Nutrison  
Nutrison Energy (as a supplement)  
Nutrison Energy Multifibre  
Nutrison Energy Multi Fibre Vanilla (as a supplement)  
Nutrison MCT (as a supplement)  
Nutrison Multifibre  
Nutrison Protein Plus Energy  
Nutrison Soya  
Nutrison Soya Multifibre  
Nutrison 800 Complete Multi Fibre  
Nutrison 1200 Complete Multi Fibre  
Optifibre  
Osmolite  
Osmolite 1.5 kcal (as a supplement)  
Osmolite Plus  
Osmosip Thick & Clear  
PaediaSure  
PaediaSure Fibre  
PaediaSure Peptide  
PaediaSure Plus  
PaediaSure Plus Fibre  
Resource 2.0 Fibre  
Resource Energy  
Resource Junior (as a supplement)  
Resource ThickenUp without Vitamins and Minerals  
Resource ThickenUp Clear  
Resource Ready Thickened Drinks  
Slo Drinks Stage 1: IDDSI 2 Mildly Thick  
Slo Drinks Stage 2: IDDSI 3 Moderately Thick  
Slo Milkshakes+IDDSI 1 Slightly Thick  
Slo Milkshakes+IDDSI 2 Mildly Thick  
Slo Milkshakes+IDDSI 3 Moderately Thick  
Slo Milkshakes+IDDSI 4 Extremely Thick  
Survimed OPD (as a supplement)  
Survimed OPD HN  
Swalloweze Clear  
Tentrini  
Tentrini Energy  
Tentrini Energy Multi Fibre  
Tentrini Multi Fibre  
Thick and Easy Original (as a thickener)  
Thick and Easy Clear  
Thicken Aid (as a thickener)  
Thixo-D Original (as a thickener)

**ECZEMA**

See: Dermatitis

**EPILEPSY (KETOGENIC DIET IN)**

Alembicol D  
Betaquik  
K.Yo  
Ketocal 2.5:1 LQ  
Ketocal 3:1  
Ketocal 4:1  
Ketocal 4.1 LQ  
KetoClassic 3:1 Bar  
KetoClassic 3:1 Meal  
KetoClassic 3:1 Savoury  
KetoClassic Breakfast  
KetoVie 4:1

Liquigen  
MCT Oil

**FLAVOURING FOR USE WITH ANY UNFLAVOURED PRODUCT BASED ON PEPTIDES OR AMINO ACIDS**

Nutricia Flavour Modjul  
Nutricia Flavour Sachets

**GALACTOKINASE DEFICIENCY AND GALACTOSAEMIA**

Prosobee Liquid and Powder  
Wysoy

**GASTRECTOMY (TOTAL)**

Altrajuce  
Altrajuce Starter Pack  
Altraplen Compact  
Altraplen Compact Starter Pack  
Altraplen Protein  
Altraplen Protein Starter Pack  
Aymes 2.0 kcal  
Aymes ActaCal Creme  
Aymes ActaCal Creme Starter Pack  
Aymes ActaGain 2.4 Complete Maxi  
Aymes ActaGain 2.4 Complete Maxi Starter Pack  
Aymes ActaGain 600  
Aymes ActaGain 600 Starter Pack  
Aymes ActaJuce  
Aymes ActaJuce Starter Pack  
Aymes ActaSolve Delight  
Aymes ActaSolve Delight Starter Pack  
Aymes ActaSolve High Energy  
Aymes ActaSolve High Energy Starter Pack  
Aymes ActaSolve Protein Compact  
Aymes ActaSolve Protein Compact Starter Pack  
Aymes ActaSolve Savoury  
Aymes ActaSolve Smoothie  
Aymes ActaSolve Smoothie Starter Pack  
Aymes Complete  
Aymes Complete Starter Pack  
Aymes Shake  
Aymes Shake Compact  
Aymes Shake Compact Starter Pack  
Aymes Shake Fibre  
Aymes Shake Fibre Starter Pack  
Aymes Shake Starter Pack  
Complan Shake (as a supplement)  
Complan Shake Starter Pack (as a supplement)      **NEW**  
Energieshake 2.0  
Energieshake Dessert  
Energieshake Powder  
Energieshake Powder Starter Pack  
Ensure  
Ensure Plus Commence (as a supplement)  
Ensure Plus Creme (as a supplement)  
Ensure Plus Fibre  
Ensure Plus Juce (as a supplement)  
Ensure Plus Liquid Feed (as a supplement)  
Ensure Plus Milk Shake Style (as a supplement)  
Ensure Plus Savoury (as a supplement)  
Ensure Plus Yoghurt Style (as a supplement)  
Ensure Shake (Banana, Chocolate, Strawberry and Vanilla Flavours)  
Ensure TwoCal  
Foodlink Complete  
Foodlink Complete Starter Pack  
Foodlink Complete with Fibre  
Foodlink Complete with Fibre Starter Pack  
Forticreme Complete (as a supplement)

Fortijuice (as a supplement)  
Fortijuice Starter Pack (as a supplement)  
Fortisip 2kcal  
Fortisip Bottle (as a supplement)  
Fortisip Compact  
Fortisip Compact Fibre  
Fortisip Compact Fibre Starter Pack  
Fortisip Compact Protein  
Fortisip Compact Protein Starter Pack  
Fortisip Compact Starter Pack  
Fortisip Extra (as a supplement)  
Fortisip Range Starter Pack (as a supplement)  
Fortisip Yogurt Style  
Frebini  
Frebini Energy  
Frebini Energy Drink (Strawberry and Banana Flavours)  
Frebini Energy Fibre  
Frebini Energy Fibre Drink  
Frebini Original Fibre  
Fresubin 1000 Complete  
Fresubin 1200 Complete  
Fresubin 1500 Complete  
Fresubin 1800 Complete  
Fresubin 2250 Complete  
Fresubin 2Kcal Creme  
Fresubin 2Kcal Drink  
Fresubin 2Kcal Drink Starter Pack  
Fresubin 2Kcal Fibre Drink  
Fresubin 2Kcal Fibre Mini Drink  
Fresubin 2Kcal HP  
Fresubin 2Kcal HP Fibre  
Fresubin 2Kcal Mini Drink  
Fresubin 3.2Kcal Drink  
Fresubin Dessert Fruit  
Fresubin Energy  
Fresubin Energy Fibre Sip Feed  
Fresubin Energy Fibre (Neutral) Tube Feed  
Fresubin Energy Starter Pack  
Fresubin HP Energy (as a supplement)  
Fresubin HP Energy Fibre  
Fresubin Jucy Drink  
Fresubin Jucy Drink Starter Pack  
Fresubin Original Drink and Fresubin Original Tube Feed  
Fresubin Original Fibre  
Fresubin Powder Extra  
Fresubin Powder Extra Starter Pack  
Fresubin Protein Energy Drink (as a supplement)  
Fresubin Soya Fibre  
Isosource Junior Mix  
Jevity  
Jevity Plus  
Jevity Plus HP  
Jevity Promote  
Jevity 1.5kcal  
Modulen IBD  
Nutilus Complete Creme Level 3  
Nutilus Complete Drink Level 3  
Nutilus Fruit Dessert Level 4  
Nutricomp Drink Plus  
Nutricomp Drink Plus Fibre  
Nutricrem  
Nutricrem Starter Pack  
Nutrini Energy  
Nutrini Energy Multifibre  
Nutrini Low Energy Multifibre  
Nutrini Multifibre  
Nutrini Peptisorb

Nutrini Peptisorb Energy  
Nutrison  
Nutrison Energy (as a supplement)  
Nutrison Energy Multifibre  
Nutrison Energy Multi Fibre Vanilla (as a supplement)  
Nutrison MCT (as a supplement)  
Nutrison Multifibre  
Nutrison Peptisorb Plus HEHP  
Nutrison Protein Plus Energy  
Nutrison Soya  
Nutrison Soya Multifibre  
Nutrison 800 Complete Multi Fibre  
Nutrison 1200 Complete Multi Fibre  
Optifibre  
Osmolite  
Osmolite 1.5 kcal (as a supplement)  
Osmolite Plus  
Paediasure Peptide  
Peptamen AF  
Perative (as a supplement)  
Renilon 7.5  
Resource 2.0 Fibre  
Resource Energy  
Resource Junior (as a supplement)  
Survimed OPD (as a supplement)  
Survimed OPD 1.5kcal  
Survimed OPD HN  
Tentrini  
Tentrini Energy  
Tentrini Energy Multi Fibre  
Tentrini Multi Fibre  
Vital 1.5kcal

**GLUCOSE/GALACTOSE INTOLERANCE**

Galactomin 19 (Fructose Formula)  
See: Carbohydrate Malabsorption

**GLUTARIC ACIDURIA**

GA1 Anamix Infant  
GA1 Anamix Junior  
GA amino5  
GA Explore 5  
GA Gel  
XLYS TRY Glutaridon

**GLYCOGEN STORAGE DISEASE**

Corn Flour or Corn Starch  
Dextrose  
Glucose  
Glycosade (Lemon Flavour)  
Glycosade (Unflavoured Flavour)  
Maxijul Super Soluble  
Polycal (Liquid & Powder)  
Pro-Cal Powder  
Pro-Cal shot  
Pro-Cal shot starter pack  
Vitajoule  
Vitasavoury  
Vitasavoury starter pack

**GROWTH FAILURE (DISEASE RELATED)**

Alimentum  
Fortini  
Fortini 1.0 Multi Fibre  
Fortini Compact Multi Fibre  
Fortini Creamy Fruit Multi Fibre  
Fortini Multi Fibre

Fortini Smoothie Multi Fibre  
Frebini  
Frebini Energy  
Frebini Energy Drink (Strawberry and Banana Flavours)  
Frebini Energy Fibre  
Frebini Energy Fibre Drink  
Frebini Original Fibre  
Isosource Junior Mix  
Nutrini  
Nutrini Energy  
Nutrini Energy Multifibre  
Nutrini Low Energy Multifibre  
Nutrini Multifibre  
Nutrini Peptisorb  
Nutrini Peptisorb Energy  
PaediaSure  
PaediaSure Fibre  
PaediaSure Peptide  
PaediaSure Plus  
PaediaSure Plus Fibre  
PaediaSure Plus Juice  
SMA Gold Prem 2 Liquid  
SMA Gold Prem 2 Powder  
SMA High Energy  
SMA PRO High Energy  
Similac High Energy  
Survimed OPD  
Tentrini  
Tentrini Energy  
Tentrini Energy Multi Fibre  
Tentrini Multi Fibre

**HAEMODIALYSIS**

See: Dialysis

**HISTIDINAEMIA**

See: Low-Protein Products  
Synthetic Diets

**HOMOCYSTINURIA**

HCU Anamix Infant  
HCU Anamix Junior  
HCU Cooler 10  
HCU Cooler 15  
HCU Cooler 20  
HCU Explore 5  
HCU Express 15  
HCU Express 20  
HCU Gel  
HCU Lophlex  
HCU Lophlex LQ 10 Juicy Berries  
HCU Lophlex LQ 20 Juicy Berries  
HCU-LV  
HCU Maxamum  
Nutramigen PurAmino  
Vitaflor Flavour Pac  
XMET Homidon

See: Low-Protein Products  
Synthetic Diets

**HYPERLIPOPROTEINAEMIA TYPE 1**

Alembicol-D (MCT Oil)  
Liquigen  
MCT Oil  
Monogen

**HYPERLYSINAEMIA**

HYPER LYS Anamix Infant

**HYPERMETHIONINAEMIA**

HCU Anamix Infant  
HCU-LV  
HCU Maxamum  
XMET Homidon

**HYPERPHENYLALANINEMIA**

PKU Synergy  
XPh jump 10 (Cola, Neutral, Orange, Tropical, Vanilla and Wild Berries flavours)  
XPh jump 20 (Cola, Neutral, Orange, Tropical, Vanilla and Wild Berries flavours)

**HYPOGLYCAEMIA**

See: Glycogen Storage Disease

**HYPOPROTEINAEMIA**

Dialamine  
ProSource Jelly (Blackcurrant, Fruit Punch, Lime and Orange Flavours)  
ProSource Liquid  
ProSource Plus  
ProSource TF  
Protifar  
Renapro  
Renapro Shot

**INFLAMMATORY BOWEL DISEASE**

Altrajuce  
Altrajuce Starter Pack  
Altraplen Compact  
Altraplen Compact Starter Pack  
Altraplen Protein  
Altraplen Protein Starter Pack  
Aymes 2.0 kcal  
Aymes ActaCal Creme  
Aymes ActaCal Creme Starter Pack  
Aymes ActaGain 2.4 Complete Maxi  
Aymes ActaGain 2.4 Complete Maxi Starter Pack  
Aymes ActaGain 600  
Aymes ActaGain 600 Starter Pack  
Aymes ActaJuce  
Aymes ActaJuce Starter Pack  
Aymes ActaSolve Delight  
Aymes ActaSolve Delight Starter Pack  
Aymes ActaSolve High Energy  
Aymes ActaSolve High Energy Starter Pack  
Aymes ActaSolve Protein Compact  
Aymes ActaSolve Protein Compact Starter Pack  
Aymes ActaSolve Savoury  
Aymes ActaSolve Smoothie  
Aymes ActaSolve Smoothie Starter Pack  
Aymes Complete  
Aymes Complete Starter Pack  
Aymes Shake  
Aymes Shake Compact  
Aymes Shake Compact Starter Pack  
Aymes Shake Fibre  
Aymes Shake Fibre Starter Pack  
Aymes Shake Starter Pack  
Complan Shake (as a supplement)  
Complan Shake Starter Pack (as a supplement) **NEW**  
Elemental 028 Extra  
Elemental 028 Extra (Liquid)  
Emsogen  
Energieshake 2.0

Energieshake Dessert  
Energieshake Powder  
Energieshake Powder Starter Pack  
Ensure  
Ensure Plus Commence (as a supplement)  
Ensure Plus Creme (as a supplement)  
Ensure Plus Fibre  
Ensure Plus Juice (as a supplement)  
Ensure Plus Liquid Feed (as a supplement)  
Ensure Plus Milk Shake Style (as a supplement)  
Ensure Plus Savoury (as a supplement)  
Ensure Plus Yoghurt Style (as a supplement)  
Ensure Shake (Banana, Chocolate, Strawberry and Vanilla Flavours)  
Ensure TwoCal  
Foodlink Complete  
Foodlink Complete Starter Pack  
Foodlink Complete with Fibre  
Foodlink Complete with Fibre Starter Pack  
Forticreme Complete (as a supplement)  
Fortijuice (as a supplement)  
Fortijuice Starter Pack (as a supplement)  
Fortisip 2kcal  
Fortisip Bottle (as a supplement)  
Fortisip Compact  
Fortisip Compact Fibre  
Fortisip Compact Fibre Starter Pack  
Fortisip Compact Protein  
Fortisip Compact Protein Starter Pack  
Fortisip Compact Starter Pack  
Fortisip Extra (as a supplement)  
Fortisip Range Starter Pack (as a supplement)  
Fortisip Yogurt Style  
Frebini  
Frebini Energy  
Frebini Energy Drink (Strawberry and Banana Flavours)  
Frebini Energy Fibre  
Frebini Energy Fibre Drink  
Frebini Original Fibre  
Fresubin 1000 Complete  
Fresubin 1200 Complete  
Fresubin 1500 Complete  
Fresubin 1800 Complete  
Fresubin 2250 Complete  
Fresubin 2Kcal Creme  
Fresubin 2Kcal Drink  
Fresubin 2Kcal Drink Starter Pack  
Fresubin 2Kcal Fibre Drink  
Fresubin 2Kcal Fibre Mini Drink  
Fresubin 2Kcal HP  
Fresubin 2Kcal HP Fibre  
Fresubin 2Kcal Mini Drink  
Fresubin 3.2Kcal Drink  
Fresubin Dessert Fruit  
Fresubin Energy  
Fresubin Energy Fibre Sip Feed  
Fresubin Energy Fibre (Neutral) Tube Feed  
Fresubin Energy Starter Pack  
Fresubin HP Energy (as a supplement)  
Fresubin HP Energy Fibre  
Fresubin Jucy Drink  
Fresubin Jucy Drink Starter Pack  
Fresubin Original Drink and Fresubin Original Tube Feed  
Fresubin Original Fibre  
Fresubin Powder Extra  
Fresubin Powder Extra Starter Pack  
Fresubin Protein Energy Drink (as a supplement)  
Fresubin Soya Fibre



Fresubin YoDrink  
Infatrini Peptisorb  
Isosource Junior Mix  
Jevity  
Jevity Plus  
Jevity Plus HP  
Jevity Promote  
Jevity 1.5kcal  
Modulen IBD  
Nutilus Complete Creme Level 3  
Nutilus Complete Drink Level 3  
Nutilus Fruit Dessert Level 4  
Nutricomp Drink Plus  
Nutricomp Drink Plus Fibre  
Nutricrem  
Nutricrem Starter Pack  
Nutrini Energy  
Nutrini Multifibre  
Nutrini Peptisorb  
Nutrini Peptisorb Energy  
Nutrison  
Nutrison Energy (as a supplement)  
Nutrison Energy Multifibre  
Nutrison Energy Multi Fibre Vanilla (as a supplement)  
Nutrison MCT (as a supplement)  
Nutrison Multifibre  
Nutrison Peptisorb  
Nutrison Peptisorb Plus HEHP  
Nutrison Protein Plus Energy  
Nutrison Soya  
Nutrison Soya Multifibre  
Nutrison 800 Complete Multi Fibre  
Nutrison 1200 Complete Multi Fibre  
Optifibre  
Osmolite  
Osmolite 1.5 kcal (as a supplement)  
Osmolite Plus  
Paediasure Peptide  
Peptamen  
Peptamen AF  
Peptamen HN  
Peptamen Junior 1.5  
Peptamen Junior Advance  
Peptamen Junior Liquid  
Peptamen Junior Powder  
Perative (as a supplement)  
Renilon 7.5  
Resource 2.0 Fibre  
Resource Energy  
Resource Junior (as a supplement)  
Survimed OPD (as a supplement)  
Survimed OPD 1.5kcal  
Survimed OPD HN  
Tentrini  
Tentrini Energy  
Tentrini Energy Multi Fibre  
Tentrini Multi Fibre  
Vital 1.5kcal

**INHERITED METABOLIC DISORDERS**

DocOmega  
KetoClassic 3:1 Bar  
KetoClassic 3:1 Meal  
KetoClassic 3:1 Savoury  
KetoClassic Breakfast  
KeyOmega

ProZero  
S.O.S. 10  
S.O.S. 15  
S.O.S. 20  
S.O.S. 25

**INTESTINAL LYMPHANGIECTASIA****INTESTINAL SURGERY**

See: Malabsorption

**ISOMALTOSE INTOLERANCE**

See: Carbohydrate Malabsorption

**ISOVALERIC ACIDAEMIA**

IVA Anamix Infant  
IVA Anamix Junior

**LACTOSE INTOLERANCE**

See: Carbohydrate Malabsorption

**LIPOPROTEIN LIPASE DEFICIENCY (PRIMARY AND SECONDARY)**

Monogen

**LIVER FAILURE**

Alembicol D  
Aminex low-protein biscuits  
Aminex low-protein cookies  
Aminex low-protein rusks  
Aproten low-protein bread mix  
Aproten low-protein cake mix  
Aproten low-protein pasta (anellini)  
Ener-G low-protein egg replacer  
Ener-G low-protein rice bread  
Fate low-protein all-purpose mix  
Fate low-protein cake mix  
Fate low-protein chocolate flavour cake mix  
Heparon Junior  
Juvela low-protein bread rolls  
Juvela low-protein loaf (sliced)  
Juvela low-protein mix  
Juvela low-protein pizza base  
Liquigen  
Loprofin low-protein breakfast cereal (flakes, loops)  
Loprofin low-protein crackers  
Loprofin low-protein egg replacer  
Loprofin low-protein egg white replacer  
Loprofin low-protein mix  
Loprofin low-protein part baked sliced loaf  
Loprofin low-protein pasta (animal shapes, fusilli, lasagne, long-cut spaghetti, macaroni elbows, penne, tagliatelle)  
Loprofin low-protein rice  
MCT Oil  
Nepro HP  
Promin low-protein burger mix  
Promin low-protein fresh baked bread buns  
Promin low-protein fresh baked sliced bread  
Promin low-protein pasta (alphabets, flat noodles, macaroni, shells, short cut spaghetti, spirals)  
Promin low-protein pastameal  
Promin low-protein tricolour pasta (alphabets, shells and spirals)  
Promin LP Mac Pot (macaroni cheese, tomato macaroni)  
Promin LP Potato Pot (cabbage bacon flavour & croutons, onions & croutons, sausage flavour & croutons)  
Promin LP X-Pot (all day scramble, beef & tomato, chip shop curry, rogan style curry)  
Ultra low-protein canned brown bread  
Ultra low-protein canned white bread

Vita-Bite

**LONG CHAIN ACYL-COA DEHYDROGENASE DEFICIENCY (LCAD)**

Monogen

**LOW-PROTEIN PRODUCTS**

Aproten low-protein bread mix  
Aproten low-protein pasta (anellini)  
Ener-G low-protein egg replacer  
Ener-G low-protein rice bread  
Fate low-protein all-purpose mix  
Fate low-protein cake mix  
Fate low-protein chocolate flavour cake mix  
Fate low-protein potato mix  
Juvela low-protein bread rolls  
Juvela low-protein loaf (sliced)  
Juvela low-protein mix  
Juvela low-protein pizza base  
Loprofin chocolate flavour cake mix  
Loprofin low-protein breakfast cereal (flakes, loops)  
Loprofin low-protein crackers  
Loprofin low-protein egg replacer  
Loprofin low-protein egg white replacer  
Loprofin low-protein herb crackers  
Loprofin low-protein mix  
Loprofin low-protein part baked sliced loaf  
Loprofin low-protein pasta (animal shapes, fusilli, lasagne, long-cut spaghetti, macaroni elbows, penne, tagliatelle)  
Loprofin low-protein rice  
Mevalia low-protein bread mix  
Mevalia low-protein burger mix  
Mevalia low-protein chocotino  
Mevalia low-protein ciabattine  
Mevalia low-protein cookies  
Mevalia low-protein ditali pasta  
Mevalia low-protein egg replacer  
Mevalia low-protein frollini  
Mevalia low-protein fruit bar  
Mevalia low-protein fusilli  
Mevalia low-protein grissini  
Mevalia low-protein lattis  
Mevalia low-protein mini baguette  
Mevalia low-protein pan carre  
Mevalia low-protein pan rustico  
Mevalia low-protein pane casereccio  
Mevalia low-protein penne  
Mevalia low-protein pizza base  
Mevalia low-protein rice replacer  
Mevalia low-protein spaghetti  
Milupa LP drink  
PK Foods Aminex low-protein biscuits  
PK Foods Aminex low-protein cookies  
PK Foods Aminex low-protein rusks  
PK Foods low-protein crispbread  
PK Foods low-protein pasta spirals  
PK Foods low-protein white sliced bread  
PKU-Gel  
Promin low-protein all purpose baking mix  
Promin low-protein apple and sage sausage mix  
Promin low-protein breadcrumbs  
Promin low-protein breakfast bar (apple & cinnamon, banana, cranberry and chocolate & cranberry flavours)  
Promin low-protein burger mix  
Promin low-protein caramel dessert  
Promin low-protein cheese sauce mix  
Promin low-protein cooked and flavoured pasta snax  
Promin low-protein cous cous

Promin low-protein creamy chicken soup with croutons  
 Promin low-protein creamy tomato soup with croutons  
 Promin low-protein croutons  
 Promin low-protein custard dessert  
 Promin low-protein dessert (chocolate & banana and strawberry & vanilla flavours)  
 Promin low-protein fresh baked bread buns  
 Promin low-protein fresh baked brown sliced bread  
 Promin low-protein fresh baked sliced bread  
 Promin low-protein hot breakfast (apple & cinnamon, banana, chocolate and original flavours)  
 Promin low-protein imitation rice  
 Promin low-protein imitation rice pudding (apple, banana, strawberry and original flavours)  
 Promin low-protein lamb and mint burger mix  
 Promin low-protein lasagne sheets  
 Promin low-protein minestrone soup with croutons  
 Promin low-protein pasta (alphabets, flat noodles, macaroni, shells, short cut spaghetti, spirals)  
 Promin low-protein pasta in sauce (cheese and broccoli, tomato pepper and herb flavours)  
 Promin low-protein pastameal  
 Promin low-protein pasta spirals in a Moroccan type sauce  
 Promin low-protein pea and mint soup with croutons  
 Promin low-protein potato cake mix  
 Promin low-protein Promin Plus  
 Promin low-protein sausage mix  
 Promin low-protein tomato and basil sausage mix  
 Promin low-protein tricolour pasta (alphabets, shells, spirals)  
 Promin LP Mac Pot (macaroni cheese, tomato macaroni)  
 Promin LP Potato Pot (cabbage bacon flavour & croutons, onions & croutons, sausage flavour & croutons)  
 Promin LP X-Pot (all day scramble, beef & tomato, chip shop curry, rogan style curry)  
 Taranis fish substitute  
 Taranis low-protein biscuits with caramel shards  
 Taranis low-protein cake (apricot, lemon, pear)  
 Taranis low-protein chocolate chip biscuits  
 Taranis low-protein chocolate chip cookies  
 Taranis low-protein dalia liquid  
 Taranis low-protein dalia powder (milk substitute)  
 Taranis low-protein hazelnut spread  
 Taranis low-protein mix for pancakes and waffles  
 Taranis low-protein natural cake mix  
 Taranis low-protein raspberry shortbread biscuits  
 Taranis low-protein risotto  
 Taranis low-protein rusks  
 Taranis low-protein shortbread biscuits  
 Taranis pause dessert (caramel and strawberry flavours)  
 Ultra low-protein canned brown bread  
 Ultra low-protein canned white bread  
 Vita-Bite  
 Yogumaxx  
 Inherited metabolic disorders, renal or liver failure requiring a low-protein diet.

### **MALABSORPTION STATES**

(See also: established gluten sensitive enteropathy, liver failure, carbohydrate malabsorption, intestinal lymphangiectasia, milk intolerance and synthetic diets)

- a) Protein sources  
 Duocal (Super Soluble)  
 Elecare  
 Neocate Junior (strawberry, unflavoured and vanilla flavour)  
 Neocate LCP  
 Neocate Spoon  
 Neocate Syneo  
 Nutramigen PurAmino  
 Pepdite 1+  
 Pepdite 1 + (Banana Flavour)  
 SMA Alfamino  
 SMA Althera
- b) Fat sources  
 Alembicol D  
 Calogen

- Calogen Extra  
 Calogen Extra Shots  
 Fresubin 5Kcal Shot  
 Liquigen  
 MCT Oil  
 Pro-Cal Powder  
 Pro-Cal shot  
 Pro-Cal shot starter pack  
 Vitasavoury  
 Vitasavoury starter pack
- c) Carbohydrate sources  
 HyFiber Liquid  
 Maxijul Super Soluble  
 Nutrini Energy  
 Nutrini Multifibre  
 Nutrini Peptisorb  
 Nutrini Peptisorb Energy  
 Optifibre  
 Polycal (Liquid & Powder)  
 Pro-Cal Powder  
 Pro-Cal shot  
 Pro-Cal shot starter pack  
 Renilon 7.5  
 Vitajoule  
 Vitasavoury  
 Vitasavoury starter pack
- d) Fat/Carbohydrate sources  
 Calshake  
 Duocal (Super Soluble)  
 Enshake (Banana, Chocolate, Strawberry and Vanilla Flavours)  
 Scandishake Mix Flavoured and Unflavoured
- e) Complete Feeds  
 For use as the sole source of nutrition or as necessary nutritional supplements prescribed on medical grounds  
 Alimentum  
 Altrajuce  
 Altrajuce Starter Pack  
 Altraplen Compact  
 Altraplen Compact Starter Pack  
 Altraplen Protein  
 Altraplen Protein Starter Pack  
 Aptamil Pepti-Junior  
 Elemental 028 Extra  
 Elemental 028 Extra (Liquid)  
 Emsogen  
 Energieshake 2.0  
 Energieshake Dessert  
 Energieshake Powder  
 Energieshake Powder Starter Pack  
 Ensure  
 Foodlink Complete  
 Foodlink Complete Starter Pack  
 Foodlink Complete with Fibre  
 Foodlink Complete with Fibre Starter Pack  
 Fortisip Yogurt Style  
 Frebini  
 Frebini Energy  
 Frebini Energy Drink (Strawberry and Banana Flavours)  
 Frebini Energy Fibre  
 Frebini Energy Fibre Drink  
 Frebini Original Fibre  
 Fresubin 1000 Complete  
 Fresubin 1200 Complete  
 Fresubin 1800 Complete  
 Fresubin 2250 Complete  
 Fresubin Energy

Fresubin Energy Fibre Sip Feed  
Fresubin Energy Fibre (Neutral) Tube Feed  
Fresubin Energy Starter Pack  
Fresubin Original Drink And Fresubin Original Tube Feed  
Fresubin Soya Fibre  
Infatrini  
Infatrini Peptisorb  
Isosource Junior Mix  
Jevity  
Jevity Plus  
Jevity Plus HP  
Jevity Promote  
Jevity 1.5kcal  
Lipistart  
MCT Procal  
Modulen IBD  
Monogen  
Nutilus Complete Creme Level 3  
Nutilus Complete Drink Level 3  
Nutricomp Drink Plus  
Nutricomp Drink Plus Fibre  
Nutricrem  
Nutricrem Starter Pack  
Nutrini  
Nutrini Energy  
Nutrini Energy Multi Fibre  
Nutrini Low Energy Multi Fibre  
Nutrini Multifibre  
Nutrini Peptisorb  
Nutrini Peptisorb Energy  
Nutrison  
Nutrison Energy Multifibre  
Nutrison Multifibre  
Nutrison Peptisorb  
Nutrison Peptisorb Plus HEHP  
Nutrison Protein Plus Energy  
Nutrison Soya  
Nutrison Soya Multifibre  
Nutrison 800 Complete Multi Fibre  
Nutrison 1200 Complete Multi Fibre  
Osmolite  
PaediaSure  
PaediaSure Fibre  
PaediaSure Peptide  
PaediaSure Plus  
PaediaSure Plus Fibre  
Pepdite 1+  
Pepdite 1+ (Banana Flavour)  
Peptamen  
Peptamen AF  
Peptamen HN  
Peptamen Junior 0.6  
Peptamen Junior 1.5  
Peptamen Junior Advance  
Peptamen Junior Liquid  
Peptamen Junior Powder  
Pregestimil Lipil  
Resource 2.0 Fibre  
Resource Energy  
SMA High Energy  
SMA PRO High Energy  
Similac High Energy  
Tentrini  
Tentrini Energy  
Tentrini Energy Multi Fibre  
Tentrini Multi Fibre  
Vital 1.5kcal

- f) Nutritional supplements  
Necessary nutritional supplements prescribed on medical grounds (products should be labelled to state that they are to be taken under dietetic supervision and that a maximum of x mls containing 80g protein (approximately y cans/packs) may be taken per day)
- Aymes 2.0 kcal
  - Aymes ActaCal Creme
  - Aymes ActaCal Creme Starter Pack
  - Aymes ActaGain 2.4 Complete Maxi
  - Aymes ActaGain 2.4 Complete Maxi Starter Pack
  - Aymes ActaGain 600
  - Aymes ActaGain 600 Starter Pack
  - Aymes ActaJuice
  - Aymes ActaJuice Starter Pack
  - Aymes ActaSolve Delight
  - Aymes ActaSolve Delight Starter Pack
  - Aymes ActaSolve High Energy
  - Aymes ActaSolve High Energy Starter Pack
  - Aymes ActaSolve Protein Compact
  - Aymes ActaSolve Protein Compact Starter Pack
  - Aymes ActaSolve Savoury
  - Aymes ActaSolve Smoothie
  - Aymes ActaSolve Smoothie Starter Pack
  - Aymes Complete
  - Aymes Complete Starter Pack
  - Aymes Shake
  - Aymes Shake Compact
  - Aymes Shake Compact Starter Pack
  - Aymes Shake Fibre
  - Aymes Shake Fibre Starter Pack
  - Aymes Shake Starter Pack
  - Complan Shake
  - Complan Shake Starter Pack (as a supplement) **NEW**
  - Ensure Plus Commence
  - Ensure Plus Creme
  - Ensure Plus Fibre
  - Ensure Plus Juice
  - Ensure Plus Liquid Feed
  - Ensure Plus Milk Shake Style
  - Ensure Plus Savoury
  - Ensure Plus Yoghurt Style
  - Ensure Shake (Banana, Chocolate, Strawberry and Vanilla Flavours)
  - Ensure TwoCal
  - Forticreme Complete
  - Fortijuice
  - Fortijuice Starter Pack
  - Fortisip 2kcal
  - Fortisip Bottle
  - Fortisip Compact
  - Fortisip Compact Fibre
  - Fortisip Compact Fibre Starter Pack
  - Fortisip Compact Protein
  - Fortisip Compact Protein Starter Pack
  - Fortisip Compact Starter Pack
  - Fortisip Extra
  - Fortisip Range Starter Pack
  - Fresubin 1500 Complete
  - Fresubin 2Kcal Creme
  - Fresubin 2Kcal Drink
  - Fresubin 2Kcal Drink Starter Pack
  - Fresubin 2Kcal Fibre Drink
  - Fresubin 2Kcal Fibre Mini Drink
  - Fresubin 2Kcal HP
  - Fresubin 2Kcal HP Fibre
  - Fresubin 2Kcal Mini Drink
  - Fresubin 3.2Kcal Drink
  - Fresubin HP Energy

- Fresubin HP Energy Fibre  
 Fresubin Jucy Drink  
 Fresubin Jucy Drink Starter Pack  
 Fresubin Original Fibre  
 Fresubin Powder Extra  
 Fresubin Powder Extra Starter Pack  
 Fresubin Protein Energy Drink  
 Nutilis Fruit Dessert Level 4  
 Nutrison Energy  
 Nutrison Energy Multi Fibre Vanilla  
 Nutrison MCT  
 Optifibre  
 Osmolite 1.5 kcal  
 Perative  
 Renilon 7.5  
 Survimed OPD  
 Survimed OPD 1.5kcal  
 Survimed OPD HN  
 g) Vitamins - as appropriate  
    See: Synthetic Diets  
 h) Vitamins and Minerals  
    DEKAs Essential Capsules  
    DEKAs Plus Chewable Tablets  
    DEKAs Plus Liquid  
    DEKAs Plus Softgels  
    Energivit  
    FruitiVits  
    Paediatric Seravit

**MALNUTRITION (DISEASE RELATED)**

- Alimentum  
 Altrajuce  
 Altrajuce Starter Pack  
 Altraplen Compact  
 Altraplen Compact Daily **NEW**  
 Altraplen Compact Daily Starter Pack **NEW**  
 Altraplen Compact Starter Pack  
 Altraplen Energy  
 Altraplen Energy Starter Pack  
 Altraplen Protein  
 Altraplen Protein Starter Pack  
 Altrashot  
 Altrashot Starter Pack  
 Aymes 2.0 kcal  
 Aymes ActaCal Creme  
 Aymes ActaCal Creme Starter Pack  
 Aymes ActaGain 2.4 Complete Maxi  
 Aymes ActaGain 2.4 Complete Maxi Starter Pack  
 Aymes ActaGain 600  
 Aymes ActaGain 600 Starter Pack  
 Aymes ActaJuce  
 Aymes ActaJuce Starter Pack  
 Aymes ActaSolve Delight  
 Aymes ActaSolve Delight Starter Pack  
 Aymes ActaSolve High Energy  
 Aymes ActaSolve High Energy Starter Pack  
 Aymes ActaSolve Protein Compact  
 Aymes ActaSolve Protein Compact Starter Pack  
 Aymes ActaSolve Savoury  
 Aymes ActaSolve Smoothie  
 Aymes ActaSolve Smoothie Starter Pack  
 Aymes Complete  
 Aymes Complete Starter Pack  
 Aymes Shake  
 Aymes Shake Compact  
 Aymes Shake Compact Starter Pack



Aymes Shake Fibre  
Aymes Shake Fibre Starter Pack  
Aymes Shake Starter Pack  
Calogen  
Calogen Extra  
Calogen Extra Shots  
Calshake  
Complan Shake (as a supplement)  
Complan Shake Starter Pack (as a supplement)      **NEW**  
Duocal (Super Soluble)  
Energieshake 2.0  
Energieshake Advance 1.3 kcal  
Energieshake Complete 1.5kcal Drink  
Energieshake Dessert  
Energieshake Powder  
Energieshake Powder Starter Pack  
Enshake (Banana, Chocolate, Strawberry and Vanilla Flavours)  
Ensure  
Ensure Compact (Banana, Cafe Latte, Strawberry and Vanilla Flavours)  
Ensure Plus  
Ensure Plus Commence (as a supplement)  
Ensure Plus Creme (as a supplement)  
Ensure Plus Fibre  
Ensure Plus Juice (as a supplement)  
Ensure Plus Liquid Feed (as a supplement)  
Ensure Plus Milk Shake Style (as a supplement)  
Ensure Plus Savoury (as a supplement)  
Ensure Plus Yoghurt Style (as a supplement)  
Ensure Shake (Banana, Chocolate, Strawberry and Vanilla Flavours)  
Ensure TwoCal  
Foodlink Complete  
Foodlink Complete Compact  
Foodlink Complete Compact Starter Pack  
Foodlink Complete Starter Pack  
Foodlink Complete with Fibre  
Foodlink Complete with Fibre Starter Pack  
Forticreme Complete (as a supplement)  
Fortijuice (as a supplement)  
Fortijuice Starter Pack (as a supplement)  
Fortini (as a supplement)  
Fortini 1.0 Multi Fibre  
Fortini Compact Multi Fibre  
Fortini Creamy Fruit Multi Fibre  
Fortini Multi Fibre (as a supplement)  
Fortini Smoothie Multi Fibre (as a supplement)  
Fortisip 2kcal  
Fortisip Bottle (as a supplement)  
Fortisip Compact  
Fortisip Compact Fibre  
Fortisip Compact Fibre Starter Pack  
Fortisip Compact Protein  
Fortisip Compact Protein Starter Pack  
Fortisip Compact Starter Pack  
Fortisip Extra (as a supplement)  
Fortisip Range Starter Pack (as a supplement)  
Fortisip Yogurt Style  
Frebini  
Frebini Energy  
Frebini Energy Drink (Strawberry and Banana Flavours)  
Frebini Energy Fibre  
Frebini Energy Fibre Drink  
Frebini Original Fibre  
Fresubin 1000 Complete  
Fresubin 1200 Complete  
Fresubin 1500 Complete  
Fresubin 1800 Complete  
Fresubin 2250 Complete

Fresubin 2Kcal Creme  
Fresubin 2Kcal Drink  
Fresubin 2Kcal Drink Starter Pack  
Fresubin 2Kcal Fibre Drink  
Fresubin 2Kcal Fibre Mini Drink  
Fresubin 2Kcal HP  
Fresubin 2Kcal HP Fibre  
Fresubin 2Kcal Mini Drink  
Fresubin 3.2Kcal Drink  
Fresubin 5Kcal Shot  
Fresubin Dessert Fruit  
Fresubin Energy  
Fresubin Energy Fibre Sip Feed  
Fresubin Energy Fibre (Neutral) Tube Feed  
Fresubin Energy Starter Pack  
Fresubin HP Energy (as a supplement)  
Fresubin HP Energy Fibre  
Fresubin Jucy Drink  
Fresubin Jucy Drink Starter Pack  
Fresubin Original Drink and Fresubin Original Tube Feed  
Fresubin Original Fibre  
Fresubin Powder Extra  
Fresubin Powder Extra Starter Pack  
Fresubin Protein Energy Drink (as a supplement)  
Fresubin Soya Fibre  
Fresubin Thickened (Level 2 and Level 3)  
Fresubin YOcreme  
Fresubin YoDrink  
Infatrini  
Infatrini Peptisorb  
Isosource Junior Mix  
Jevity  
Jevity Plus  
Jevity Plus HP  
Jevity Promote  
Jevity 1.5kcal  
Maxijul Super Soluble  
Modulen IBD  
Nutilus Complete Creme Level 3  
Nutilus Complete Drink Level 3  
Nutilus Fruit Dessert Level 4  
Nutricomp Drink Plus  
Nutricomp Drink Plus Fibre  
Nutricrem  
Nutricrem Starter Pack  
Nutrini  
Nutrini Energy  
Nutrini Energy Multifibre  
Nutrini Low Energy Multifibre  
Nutrini Multifibre  
Nutrini Peptisorb  
Nutrini Peptisorb Energy  
Nutrison  
Nutrison Energy (as a supplement)  
Nutrison Energy Multifibre  
Nutrison Energy Multi Fibre Vanilla (as a supplement)  
Nutrison MCT (as a supplement)  
Nutrison Multifibre  
Nutrison Peptisorb Plus HEHP  
Nutrison Protein Plus  
Nutrison Protein Plus Energy  
Nutrison Protein Plus Multifibre  
Nutrison Soya  
Nutrison Soya Multifibre  
Nutrison 800 Complete Multi Fibre  
Nutrison 1000 Complete Multi Fibre  
Nutrison 1200 Complete Multi Fibre

Optifibre  
Osmolite  
Osmolite 1.5 kcal (as a supplement)  
Osmolite Plus  
PaediaSure  
PaediaSure Compact  
PaediaSure Fibre  
PaediaSure Peptide  
PaediaSure Plus  
PaediaSure Plus Fibre  
PaediaSure Plus Juice  
Peptamen AF  
Peptamen Junior 0.6  
Perative (as a supplement)  
Polycal (Liquid & Powder)  
Pro-Cal Powder  
Pro-Cal shot  
Pro-Cal shot starter pack  
Renilon 7.5  
Resource 2.0 Fibre  
Resource Energy  
Resource Junior (as a supplement)  
Respifor  
Scandishake Mix Flavoured and Unflavoured  
SMA High Energy  
SMA PRO High Energy  
Similac High Energy  
Survimed OPD (as a supplement)  
Survimed OPD 1.5kcal  
Survimed OPD HN  
Tentrini  
Tentrini Energy  
Tentrini Energy Multi Fibre  
Tentrini Multi Fibre  
TwoCal Bolus  
TwoCal RTH  
Vitajoule  
Vital 1.5kcal  
Vitasavoury  
Vitasavoury starter pack

**MAPLE SYRUP URINE DISEASE**

MSUD Aid III  
MSUD amino5  
MSUD Anamix Infant  
MSUD Anamix Junior  
MSUD Anamix Junior LQ Orange  
MSUD Cooler 10  
MSUD Cooler 15  
MSUD Cooler 20  
MSUD Explore 5  
MSUD Express 15  
MSUD Express 20  
MSUD Gel  
MSUD Lophlex  
MSUD Lophlex LQ 10 Juicy Berries  
MSUD Lophlex LQ 20 Juicy Berries  
MSUD Maxamum

See: Low-Protein Products  
Synthetic Diets

**METHYLMALONIC ACIDAEMIA**

MMA/PA amino5  
MMA/PA Anamix Infant

MMA/PA Anamix Junior  
 MMA/PA Explore 5  
 MMA/PA Maxamum  
 XMTVI Asadon

**MILK PROTEIN SENSITIVITY**

Aptamil Pepti 1  
 Aptamil Pepti 2  
 Aptamil Pepti Syneo  
 Elecare  
 Fresubin Soya Fibre  
 Neocate LCP  
 Neocate Spoon  
 Neocate Syneo  
 Nutramigen 1 with LGG  
 Nutramigen PurAmino  
 Prosobee Liquid and Powder  
 SMA Alfamino  
 SMA Althera  
 Wysoy

See: Synthetic Diets.

**NUTRITIONAL SUPPORT FOR ADULTS**

(for precise conditions for which these products have been approved see the product listing in List A)

- A Nutritionally complete feeds  
 For use as the sole source of nutrition or as necessary nutritional supplements prescribed on medical grounds
- a) Gluten Free  
 Foodlink Complete  
 Foodlink Complete Starter Pack  
 Foodlink Complete with Fibre  
 Foodlink Complete with Fibre Starter Pack  
 Fortisip Yogurt Style  
 Fresubin 1000 Complete  
 Fresubin 1200 Complete  
 Fresubin 1800 Complete  
 Fresubin 2250 Complete  
 Fresubin Energy  
 Fresubin Energy Fibre Sip Feed  
 Fresubin Energy Fibre (Neutral) Tube Feed  
 Fresubin Energy Starter Pack  
 Fresubin Original Drink and Fresubin Original Tube Feed  
 Nutrison  
 Nutrison Energy Multifibre  
 Nutrison Multifibre  
 PaediaSure Plus
- b) Lactose and Gluten Free  
 Ensure  
 Nutrison Soya  
 Nutrison Soya Multifibre  
 Osmolite  
 Osmolite Plus
- c) Containing Fibre  
 Foodlink Complete with Fibre  
 Foodlink Complete with Fibre Starter Pack  
 Fresubin 2250 Complete  
 Fresubin Energy Fibre Sip Feed  
 Fresubin Energy Fibre (Neutral) Tube Feed  
 Fresubin Isofibre  
 Fresubin Soya Fibre  
 Jevity  
 Jevity Plus  
 Jevity Plus HP  
 Jevity Promote

- Jevity 1.5kcal  
 Nutrini Energy  
 Nutrini Energy Multifibre  
 Nutrini Low Energy Multifibre  
 Nutrini Multifibre  
 Nutrison Energy Multifibre  
 Nutrison Multifibre  
 PaediaSure Fibre  
 Nutrison Soya Multifibre  
 Resource 2.0 Fibre
- d) Elemental Feeds  
 Elemental 028 Extra  
 Elemental 028 Extra (Liquid)  
 Emsogen  
 Nutrison Peptisorb  
 Peptamen  
 Peptamen HN  
 Peptamen Junior Advance  
 Peptamen Junior Liquid  
 Peptamen Junior Powder
- B Nutritional Source Supplements  
 See: Synthetic Diets  
 Malabsorption States
- a) General Supplements  
 Necessary nutritional supplements prescribed on medical grounds for the diseases in List A (products should be labelled to state that they are to be taken under dietetic supervision and that a maximum of xmls containing 80g protein (approximately y cans/packs) may be taken per day)
- Complan Shake  
 Complan Shake Starter Pack (as a supplement) **NEW**  
 Ensure Plus Commence  
 Ensure Plus Creme  
 Ensure Plus Fibre  
 Ensure Plus Juice  
 Ensure Plus Liquid Feed  
 Ensure Plus Milk Shake Style  
 Ensure Plus Savoury  
 Ensure Plus Yoghurt Style  
 Ensure Shake (Banana, Chocolate, Strawberry and Vanilla Flavours)  
 Ensure TwoCal  
 Foodlink Complete  
 Foodlink Complete Starter Pack  
 Foodlink Complete with Fibre  
 Foodlink Complete with Fibre Starter Pack  
 Forticare  
 Forticreme Complete  
 Fortijuice  
 Fortijuice Starter Pack  
 Fortini  
 Fortini 1.0 Multi Fibre  
 Fortini Multi Fibre  
 Fortini Smoothie Multi Fibre  
 Fortisip 2kcal  
 Fortisip Bottle  
 Fortisip Compact  
 Fortisip Compact Fibre  
 Fortisip Compact Fibre Starter Pack  
 Fortisip Compact Protein  
 Fortisip Compact Protein Starter Pack  
 Fortisip Compact Starter Pack  
 Fortisip Extra  
 Fortisip Range Starter Pack  
 Fresubin 1000 Complete  
 Fresubin 1200 Complete  
 Fresubin 1800 Complete  
 Fresubin 2Kcal Creme

Fresubin 2Kcal Drink  
 Fresubin 2Kcal Drink Starter Pack  
 Fresubin 2Kcal Fibre Drink  
 Fresubin 2Kcal Fibre Mini Drink  
 Fresubin 2Kcal Mini Drink  
 Fresubin HP Energy  
 Fresubin HP Energy Fibre  
 Fresubin Jucy Drink  
 Fresubin Jucy Drink Starter Pack  
 Fresubin Powder Extra  
 Fresubin Powder Extra Starter Pack  
 Fresubin Protein Energy Drink  
 Lipistart  
 Monogen  
 MCT Procal  
 Nutrison Energy  
 Nutrison Energy Multi Fibre Vanilla  
 Nutrison MCT  
 Oral Impact  
 Osmolite 1.5 kcal  
 PaediaSure Plus Juice  
 Perative  
 Prosure  
 Renilon 7.5  
 Resource Junior  
 Retenere  
 Supportan Drink  
 Survimed OPD  
 Survimed OPD 1.5kcal  
 Survimed OPD HN  
 Vital 1.5kcal

- b) Carbohydrates
- Maxijul Super Soluble  
 Optifibre  
 Polycal (Liquid & Powder) (Low electrolyte content)  
 Pro-Cal Powder  
 Pro-Cal shot  
 Vitajoule  
 Vitasavoury  
 Vitasavoury starter pack
- c) Fat
- Alembicol D  
 Calogen  
 Calogen Extra  
 Calogen Extra Shots  
 Fresubin 5Kcal Shot  
 Liquigen  
 MCT Oil
- d) Fat/Carbohydrate sources
- Calshake  
 Duocal (Super Soluble) (Low electrolyte content)  
 Scandishake Mix Flavoured and Unflavoured

#### NUTRITIONAL SUPPORT FOR FRAIL ELDERLY PEOPLE AT RISK OF UNDER NUTRITION

EnergieShake Advance 1.3kcal  
 Ensure Plus Advance

#### PHENYLKETONURIA

Aminex low-protein biscuits  
Aminex low-protein cookies  
Aminex low-protein rusks  
Aproten low-protein bread mix  
Aproten low-protein cake mix  
Aproten low-protein pasta (anellini)  
Easiphen  
Ener-G low-protein egg replacer  
Fate low-protein potato mix  
Glytactin Build 20/20  
Glytactin Bettermilk 15  
Glytactin Build 10  
Glytactin Complete 15  
Glytactin Restore Lite Powder 20  
Glytactin Restore Powdered 5  
Glytactin RTD 10 (chocolate and original flavour)  
Glytactin RTD 15 (chocolate and original flavour)  
Glytactin RTD Lite 15  
Juvela low-protein bread rolls  
Juvela low-protein loaf (sliced)  
Juvela low-protein mix  
Loprofin low-protein breakfast cereal (flakes, loops)  
Loprofin low-protein crackers  
Loprofin low-protein egg replacer  
Loprofin low-protein mix  
Loprofin low-protein part baked sliced loaf  
Loprofin low-protein pasta (animal shapes, fusilli, lasagne, long-cut spaghetti, macaroni elbows, penne, tagliatelle)  
Loprofin PKU Drink  
Loprofin Sno-Pro Drink  
L-Tyrosine Supplement  
Mevalia low-protein cookies  
Mevalia low-protein grissini  
Mevalia low-protein lattis  
Mevalia PKU GMPower  
Mevalia PKU Motion 10 (Red Fruits and Tropical Flavours)  
Mevalia PKU Motion 20 (Red Fruits and Tropical Flavours)  
Nutramigen PurAmino  
Phlexy-10 Drink Mix  
Phlexy-10 Tablets  
Phlexy-Vits  
Phlexy-Vits Tablets  
PK Foods low-protein chocolate chip cookies  
PK Foods low-protein cinnamon cookies  
PK Foods low-protein crispbread  
PK Foods low-protein egg replacer  
PK Foods low-protein flour mix  
PK Foods low-protein jelly mix dessert cherry flavour  
PK Foods low-protein jelly mix dessert orange flavour  
PK Foods low-protein orange cookies  
PK Foods low-protein pasta spirals  
PK Foods low-protein white sliced bread  
PK Aid 4  
PKU Air15 (gold)  
PKU Air15 (green)  
PKU Air15 (red)  
PKU Air15 (white)  
PKU Air15 (yellow)  
PKU Air20 (gold)  
PKU Air20 (green)  
PKU Air20 (red)  
PKU Air20 (white)  
PKU Air20 (yellow)  
PKU Anamix First Spoon  
PKU Anamix Infant  
PKU Anamix Junior (Flavoured and Neutral)  
PKU Anamix Junior LQ

PKU Cooler 10  
PKU Cooler 15  
PKU Cooler 20  
PKU Explore 5 (Unflavoured)  
PKU Explore 10 (Orange and Raspberry flavours)  
PKU Easy Liquid (Mixed Berry and Orange Citrus flavours)  
PKU Easy Microtabs  
PKU Easy Shake & Go  
PKU Express 15  
PKU Express 20  
PKU-Gel  
PKU GMPro  
PKU GMPro LQ  
PKU Go  
PKU GoLike Plus 3-16  
PKU Lophlex (neutral, orange and berries flavours)  
PKU Lophlex LQ 10 (Berry, Juicy Berries, Juicy Citrus, Juicy Orange and Juicy Tropical flavour)  
PKU Lophlex LQ 20 (Berry, Juicy Berries, Juicy Citrus, Juicy Orange, Juicy Tropical and Orange flavours)  
PKU Lophlex Sensation 20 (Berries flavour)  
PKU Maxamum  
PKU Sphere15 (Chocolate, Red Berry and Vanilla flavours)  
PKU Sphere20 (Chocolate, Red Berry and Vanilla flavours)  
PKU Squeezie  
PKU Start  
PKU Synergy  
Promin low-protein apple and sage sausage mix  
Promin low-protein burger mix  
Promin low-protein caramel dessert  
Promin low-protein cooked and flavoured pasta snax  
Promin low-protein cous cous  
Promin low-protein custard dessert  
Promin low-protein dessert (chocolate & banana and strawberry & vanilla flavours)  
Promin low-protein fresh baked bread buns  
Promin low-protein fresh baked sliced bread  
Promin low-protein hot breakfast (apple & cinnamon, banana, chocolate and original flavours)  
Promin low-protein lamb and mint burger mix  
Promin low-protein lasagne sheets  
Promin low-protein imitation rice pudding (apple, banana, strawberry and original flavours)  
Promin low-protein pasta (alphabets, flat noodles, macaroni, shells, short-cut spaghetti, spirals)  
Promin low-protein pasta in sauce (cheese and broccoli, tomato pepper and herb flavours)  
Promin low-protein pastameal  
Promin low-protein pasta spirals in a Moroccan type sauce  
Promin low-protein sausage mix  
Promin low-protein tomato and basil sausage mix  
Promin low-protein tricolour pasta (alphabets, shells, spirals)  
Promin LP Mac Pot (macaroni cheese, tomato macaroni)  
Promin LP Potato Pot (cabbage bacon flavour & croutons, onions & croutons, sausage flavour & croutons)  
Promin LP X-Pot  
Taranis fish substitute  
Taranis low-protein biscuits with caramel shards  
Taranis low-protein cake (apricot, lemon, pear)  
Taranis low-protein chocolate chip biscuits  
Taranis low-protein chocolate chip cookies  
Taranis low-protein dalia liquid  
Taranis low-protein dalia powder (milk substitute)  
Taranis low-protein hazelnut spread  
Taranis low-protein mix for pancakes and waffles  
Taranis low-protein natural cake mix  
Taranis low-protein raspberry shortbread biscuits  
Taranis low-protein risotto  
Taranis low-protein rusks  
Taranis low-protein shortbread biscuits  
Taranis pause dessert (caramel and strawberry flavours)  
Ultra low-protein canned white bread  
XPhE jump 10 (Cola, Neutral, Orange, Tropical, Vanilla and Wild Berries flavours)



See: XPhe jump 20 (Cola, Neutral, Orange, Tropical, Vanilla and Wild Berries flavours)  
Low-Protein Products  
Synthetic Diets

**PROPIONIC ACIDAEMIA**

MMA/PA amino5  
MMA/PA Anamix Infant  
MMA/PA Anamix Junior  
MMA/PA Explore 5  
MMA/PA Maxamum  
XMTVI Asadon

**PROTEIN INTOLERANCE**

See: Amino Acid Metabolic Disorders  
Low-Protein Products  
Milk Protein Sensitivity  
Synthetic Diets  
Whole Protein Sensitivity

**PRURITUS**

See: Dermatitis

**PSORIASIS**

See: Scaling of the Scalp

**REFSUM'S DISEASE**

See: Fresubin Original Drink and Fresubin Original Tube Feed

**RENAL DIALYSIS**

See: Dialysis

**RENAL FAILURE**

Aminex low-protein biscuits  
Aminex low-protein cookies  
Aminex low-protein rusks  
Aproten low-protein bread mix  
Aproten low-protein cake mix  
Aproten low-protein pasta (anellini)  
Dialamine  
Ener-G low-protein egg replacer  
Ener-G low-protein rice bread  
Fate low-protein all-purpose mix  
Fate low-protein cake mix  
Fate low-protein chocolate flavour cake mix  
Juvela low-protein bread rolls  
Juvela low-protein loaf (sliced)  
Juvela low-protein mix  
Juvela low-protein pizza base  
Kindergen  
Loprofin low-protein breakfast cereal (flakes, loops)  
Loprofin low-protein crackers  
Loprofin low-protein egg replacer  
Loprofin low-protein egg white replacer  
Loprofin low-protein mix  
Loprofin low-protein part baked sliced loaf  
Loprofin low-protein pasta (animal shapes, fusilli, lasagne, long-cut spaghetti, macaroni elbows, penne, tagliatelle)  
Loprofin low-protein rice  
Loprofin Sno-Pro drink  
Nepro HP  
Promin low-protein burger mix

Promin low-protein fresh baked bread buns  
 Promin low-protein fresh baked sliced bread  
 Promin low-protein pasta (alphabets, flat noodles, macaroni, shells, short-cut spaghetti, spirals)  
 Promin low-protein pastameal  
 Promin low-protein tricolour pastas (alphabets, shells, spirals)  
 Promin LP Mac Pot (macaroni cheese, tomato macaroni)  
 Promin LP Potato Pot (cabbage bacon flavour & croutons, onions & croutons, sausage flavour & croutons)  
 Promin LP X-Pot (all day scramble, beef & tomato, chip shop curry, rogan style curry)  
 Renamil  
 Renastart  
 Renastep  
 Renavit  
 Ulltra low-protein canned brown bread  
 Ultra low-protein canned white bread  
 Vita-Bite

**SHORT BOWEL SYNDROME**

See: Malabsorption

**SICCA SYNDROME**

AS Saliva Orthana Lozenges

**SUNSCREENS**

Sunsense Ultra (Ego) SPF 50+  
 Uvistat Lipscreen SPF 50  
 Uvistat Suncream SPF 30  
 Uvistat Suncream SPF 50

**SYNTHETIC DIETS**

(for precise conditions for which these products have been approved see the product listing in List A)

- a) Fat  
 Alembicol D  
 Calogen  
 Calogen Extra  
 Calogen Extra Shots  
 Fresubin 5Kcal Shot  
 Liquigen  
 MCT Oil  
 Pro-Cal Powder  
 Pro-Cal shot  
 Vitasavoury  
 Vitasavoury starter pack
- b) Carbohydrate  
 Maxijul Super Soluble  
 Polycal (Liquid & Powder)  
 Pro-Cal Powder  
 Pro-Cal shot  
 Vitajoule  
 Vitasavoury  
 Vitasavoury starter pack
- c) Fat/Carbohydrate  
 Calshake  
 Duocal (Super Soluble)  
 Enshake (Banana, Chocolate, Strawberry and Vanilla Flavours)  
 Scandishake Mix Flavoured and Unflavoured
- d) Protein Sources  
 See: Malabsorption States
- e) Vitamins - as appropriate  
 See: Malabsorption States  
 Nutritional Support for Adults
- f) Vitamins and Minerals  
 FruitiVits  
 Paediatric Seravit  
 Phlexy-Vits  
 Phlexy-Vits Tablets

**TYROSINAEMIA**

Methionine Free TYR Anamix Infant  
Nutramigen PurAmino  
Tyr Anamix Infant  
Tyr Anamix Junior  
Tyr Anamix Junior LQ Orange  
Tyr Cooler 10  
Tyr Cooler 15  
Tyr Cooler 20  
Tyr Easy Shake and Go  
Tyr Explore 5  
Tyr Express 15  
Tyr Express 20  
Tyr Gel  
Tyr Lophlex  
Tyr Lophlex LQ 10 Juicy Berries  
Tyr Lophlex LQ 20 Juicy Berries  
Tyr Sphere 20  
XPHEN TYR Tyrosidon

**UREA CYCLE DISORDERS**

EAA Supplement  
UCD amino5

**VITILIGO**

Covermark Classic Foundation  
Covermark Finishing Powder  
Dermacolor Camouflage Cream  
Dermacolor Fixing Powder  
Keromask Finishing Powder  
Keromask Masking Cream  
Veil Cover Cream  
Veil Finishing Powder

**VOMITING IN INFANCY**

Instant Carobel

**WHOLE PROTEIN SENSITIVITY**

for definition, see List A page 1

Aptamil Pepti-Junior  
Elecare  
Infatrini Peptisorb  
Neocate Junior (strawberry, unflavoured and vanilla flavour)  
Neocate LCP  
Neocate Spoon  
Neocate Syneo  
Nutramigen 1 with LGG  
Nutramigen 2 with LGG  
Nutramigen PurAmino  
Pepdite 1+  
Pepdite 1+ (Banana Flavour)  
Pregestimil Lipil  
SMA Alfamino  
SMA Althera

**XEROSTOMIA**

AS Saliva Orthana Lozenges

**PAGE INTENTIONALLY BLANK**

**Part XI (a)**

**Drugs And Other Substances Not To Be Prescribed Under Health  
Services Pharmaceutical Services**

**Part XI reproduces Schedule 1 to the Health and Personal Social Services (General Medical Services Contracts) (Prescription of Drugs Etc) Regulations (NI) 2004.**

## Part XI (a) Drugs And Other Substances Not To Be Prescribed

---

10.10 Cleaning and Disinfecting Solution  
10.10 Rinsing and Neutralising Solution  
10 Day Slimmer Tablets  
10 Hour Capsules  
4711 Cologne

Abidec Capsules  
Acarosan Foam  
Acarosan Moist Powder  
Acclaim Flea Control Aerosol Plus  
Acnaveen Bar  
Acne Aid Bar  
Actal Suspension  
Actal Tablets  
Actifed Compound Linctus  
Actifed Cough Relief  
Actifed Expectorant  
Actifed Linctus with Codeine  
Actifed Syrup  
Actifed Tablets  
Actomite  
Actonorm Gel  
Actonorm Powder  
Actonorm Tablets  
Actron Tablets  
Adpack Europe Gamolenic Acid (GLA) Capsules  
Adreno-Lyph Plus Tablets  
Adult Cough Balsam (Cupal)  
Adult Meltus Cough & Catarrh Linctus  
Adult Tonic Mixture (Thornton & Ross)  
Advanced Nutrition Bee Pollen Granules  
Advanced Nutrition Bee Propolis Tablets  
Advanced Nutrition Chromium Compound Liquid  
Advanced Nutrition Ener-B NSL Gel  
Advanced Nutrition Herbal Aloe Juice  
Advanced Nutrition L-Arginine Capsules  
Advanced Nutrition Linseed Oil  
Advanced Nutrition Silica-Organic Capsules  
Advanced Nutrition Sulphur Capsules  
Advanced Nutrition Vitamin E Capsules  
Aerocide 2 Spray 400ml  
Afrazine Nasal Drops  
Afrazine Nasal Spray  
Afrazine Paediatric Nasal Drops  
Agarol Emulsion  
Agiolax Granules  
Airbal Breathe Easy Vapour Inhaler  
AL Tablets  
Alagbin Tablets  
Alcin Tablets  
Alcon Salette Aerosol Saline Solution  
Aletres Cordial (Potters)  
Alexitol Sodium Suspension 360 mg/5 ml  
Alexitol Sodium Tablets  
Algipan Rub  
Algipan Tablets  
Alka-Donna P Mixture  
Alka-Donna P Tablets  
Alka-Donna Suspension  
Alka-Donna Tablets  
Alka Mints  
Alka-Seltzer Tablets  
Alket Powders  
All Clear Shampoo  
All Fours Cough Mixture (Harwood)  
All Fours Mixture (Glynwed Wholesale Chemists)  
All Fours Mixture (Roberts Laboratories)

Allbee with C Capsules  
Allbee with C Elixir  
Aller-eze Plus Tablets  
Aller-eze Tablets  
Allinson's Wholemeal Flour  
Almasilate Tablets 500 mg  
Almay Aftersun Soother  
Almay Face Powder  
Almay Sun Protection Cream SPF 12  
Almay Ultra Protection Lotion SPF 12  
Almazine Tablets 1mg  
Almazine Tablets 2.5 mg  
Aloin Tablets 40 mg  
Alophen Pills  
Alpine Tea  
Alprazolam Tablets 0.25mg  
Alprazolam Tablets 0.5mg  
Alprazolam Tablets 1 mg  
Altacaps  
Altacite Plus Tablets  
Altacite Suspension  
Altacite Tablets  
Aتلave Liquid  
Aludrox Gel  
Aludrox Liquid  
Aludrox M H Suspension  
Aludrox S A Suspension  
Aludrox Tablets  
Aluhyde Tablets  
Aluminium Hydroxide & Silicone Suspension  
Aluminium Phosphate Gel  
Aluminium Phosphate Tablets 400 mg  
Alupent Expectorant Mixture  
Alupent Expectorant Tablets  
Aluphos Gel  
Aluphos Tablets  
Alupram Tablets 2 mg  
Alupram Tablets 5 mg  
Alupram Tablets 10 mg  
Aluzyme Tablets  
Alzed Tablets  
Ambre Solaire Cream Factor 8  
Ambre Solaire Cream Factor 10  
Ambre Solaire High Protection Cream SPF10  
Ambre Solaire High Protection Milk SPF 12  
American Nutrition Strezz B-Vite Tablets  
Ami - 10 Rinsing and Storage Solution  
Amiclear Contact Lens Cleanser Tablets  
Amidose Saline Solution 30 ml  
Amin-Aid  
Amisyn Tablets  
Ammonium Chloride and Morphine Mixture BP  
Amplex Mint Capsules  
Amplex Mouthwash  
Amplex Original Capsules  
Anadin Analgesic Capsules Maximum Strength  
Anadin Analgesic Tablets  
Anadin Extra Analgesic Tablets  
Anadin Extra Soluble  
Anadin Ibuprofen Tablets  
Anadin Paracetamol Tablets  
Anadin Tablets Soluble  
Anaflex Cream  
Andrews Answer  
Andrews Antacid Tablets  
Andrews Liver Salts Effervescent Powder

## Part XI (a) Drugs And Other Substances Not To Be Prescribed

---

Andrews Liver Salts (Diabetic Formula) Effervescent Powder  
Andursil Liquid  
Andursil Tablets  
Anestan Bronchial Tablets  
Anethaine Cream  
Aneurone Mixture  
Angiers Junior Aspirin Tablets  
Angiers Junior Paracetamol Tablets  
Anorvit Tablets  
Antasil Liquid  
Antasil Tablets  
Anthisan Cream  
Antistin-Privine Nasal Drops  
Antistin-Privine Nasal Spray  
Antitussive Linctus (Cox)  
Antoin Tablets  
Antussin Liquid (Sterling Winthrop)  
Anxon Capsules 15 mg  
Anxon Capsules 30 mg  
Anxon Capsules 45 mg  
Aperient Tablets (Brome & Schimmer)  
Aperient Tablets (Kerbina)  
Apodorm Tablets 2.5 mg  
Apodorm Tablets 5 mg  
APP Stomach Powder  
APP Stomach Tablets  
Applefords Gluten-Free Rice Cakes  
Arnica Lotion  
Arocin Capsules  
Arret Capsules  
Ascorbef Tablets  
Ascorbic Acid & Hesperidin Capsules (Regent Laboratories)  
Asilone Antacid Liquid  
Asilone Antacid Tablets  
Asilone Orange Tablets  
Askit Capsules  
Askit Powders  
Askit Tablets  
Aspergum Chewing Gum Tablets 227 mg  
Aspirin Chewing-Gum Tablets 227 mg  
Aspirin Tablets, Effervescent Soluble 300 mg  
Aspirin Tablets, Effervescent Soluble 500 mg  
Aspirin Tablets, Slow (Micro-Encapsulated) 648 mg  
Aspro Clear Extra Tablets  
Aspro Clear Tablets  
Aspro Extra Strength Tablets 500 mg  
Aspro Junior Tablets  
Aspro Microfined Tablets  
Aspro Paraclear Junior Tablets  
Aspro Paraclear Tablets  
Asthma Tablets (Cathay)  
Astral Moisturising Cream  
Astroplast Analgesic Capsules  
Atensine Tablets 2 mg  
Atensine Tablets 5 mg  
Atensine Tablets 10 mg  
Ativan Tablets 1 mg  
Ativan Tablets 2.5 mg  
Atrixo  
Audax Ear Drops  
Autan Insect Repellent  
Aveeno Baby  
Aveeno Bar  
Aveeno Bar Oilated  
Aveeno Emulave Bar  
Aveenobar  
Ayrtons Analgesic Balm  
Ayrtons Macleans Formula Tablets  
B Complex Capsules (Rodale)  
B Complex Super Capsules (Rodale)  
B Extra Tablets (British Chemotherapeutic Products)  
Babezone Syrup  
Baby Chest Rub Ointment (Cupal)  
Babylix Syrup  
Babysafe Tablets  
Badedas Bath Gelee  
Balm of Gilead (Robinsons)  
Balm of Gilead Cough Mixture (Wicker Herbal Stores)  
Balm of Gilead Liquid (Culpeper)  
Balm of Gilead Mixture (Potters)  
Balneum Bath Treatment 150ml pack  
Balneum Plus Bath Treatment 150ml pack  
Banfi Hungarian Hair Tonic  
Banimax Tablets  
Barker's Liquid of Life Solution  
Barker's Liquid of Life Tablets  
Barkoff Cough Syrup  
Barnes - Hind Cleaning and Soaking Solution  
Barnes - Hind Intensive Cleaner  
Barnes - Hind No 4 Cleaner  
Barnes - Hind Wetting and Soaking Solution  
Bausch and Lomb Cleaning Tablets  
Bausch and Lomb Concentrated Cleaner (for Hard Lenses)  
Bausch and Lomb Daily Lens Cleaner  
Bausch and Lomb Saline Solution  
Bausch and Lomb Soaking and Wetting Solution  
Bayer Aspirin Tablets 300 mg  
BC500 Tablets  
BC500 with Iron Tablets  
BC500 Vitamin Sachets effervescent  
Becosym Forte Tablets  
Becosym Syrup  
Becosym Tablets  
Becotab Tablets  
Bee Health Propolis Capsules  
Beecham Analgesic Cream  
Beechams Catarrh Capsules  
Beechams Day Nurse Capsules  
Beechams Day Nurse Syrup  
Beechams Night Nurse Capsules  
Beechams Night Nurse Cold Remedy  
Beechams Pills  
Beechams Powders  
Beechams Powders Capsule Form  
Beechams Powders Mentholated  
Beechams Powders Tablet Form  
Beehive Balsam  
Bekovit Tablets  
Belladonna and Ephedrine Mixture, Paediatric, BPC  
Bellocarb Tablets  
Bemax Natural Wheatgerm  
Benadon Tablets 20 mg  
Benadon Tablets 50 mg  
Benafed Linctus  
Benerva Compound Tablets  
Benerva Injection 25 mg/ml  
Benerva Injection 100 mg/ml  
Benerva Tablets 3 mg  
Benerva Tablets 10 mg  
Benerva Tablets 25 mg  
Benerva Tablets 50 mg

## Part XI (a) Drugs And Other Substances Not To Be Prescribed

---

Benerva Tablets 100 mg  
Benerva Tablets 300 mg  
Bengers Food  
Bengue's Balsam  
Benylin Chesty Coughs Original  
Benylin Children's Coughs  
Benylin Children's Cough Linctus  
Benylin Cough & Congestion  
Benylin Day & Night Tablets  
Benylin Day & Night Cold Treatment  
Benylin Dry Coughs Original  
Benylin Expectorant  
Benylin Fortified Linctus  
Benylin Mentholated Cough & Decongestant Linctus  
Benylin Non-Drowsy Cough Linctus  
Benylin Paediatric  
Benylin with Codeine  
Benzedrex Inhaler  
Benzoin Inhalation BP  
Bepro Cough Syrup  
Beres Drops Plus  
Bergasol After Sun Soother  
Bergasol Ultra Protection Tanning Lotion  
Best Royal Jelly Capsules  
Beta Carotene Capsules (Nutri Imports & Exports)  
Biactol Anti-Bacterial Face Wash  
Bile Beans Formula 1 Pill  
Bio-Antioxidant Tablets  
Biocare Acidophilus Powder  
Biocare AD206 (Adreno-Zyme) Capsules  
Biocare Allicin Compound Capsules  
Biocare Amino-Plex Capsules  
Biocare Artemisia Compound Capsules  
Biocare ATP Factor Capsules  
Biocare Beetroot Concentrate (Bioflavour Complex) Capsules  
Biocare Beta-Carotene Capsules  
Biocare Betaine HCL/Pepsin Capsules 200/100mg  
Biocare BGF Bifidophilus Growth Factor Powder  
Biocare Bio Acidophilus Milk Free Capsules  
Biocare Bio-A Emulsifying Liquid  
Biocare Biogard Capsules  
Biocare Bio-Cysteine Capsules  
Biocare Bio-Magnesium Capsules 100mg  
Biocare Bio-Manganese Capsules  
Biocare Bio-Plex Powder  
Biocare Butyric Acid Compound Capsules  
Biocare Calcidophilus Capsules  
Biocare Calcium EAP2 Capsules  
Biocare Candistatin Capsules  
Biocare Catalase Compound Liquid  
Biocare Cervagyn Vaginal Cream  
Biocare Cellguard Forte Capsules  
Biocare CG233 Capsules  
Biocare Children's Multi Vitamin/Mineral Capsules  
Biocare Cholesteraze Capsules  
Biocare Chromium Polynicotinate Liquid  
Biocare Colleginase Capsules  
Biocare Colon Care Capsules  
Biocare Cystoplex Powder  
Biocare Dermasorb Skin Cream  
Biocare Digestaid Capsules  
Biocare DMSA Capsules  
Biocare Efaplex Linseed/GLA Blend Capsules  
Biocare Enteroplex Powder  
Biocare Eradicin Forte Capsules  
Biocare Femforte Capsules  
Biocare Garlicin Capsules  
Biocare GLA Complex Tablets  
Biocare GLA/Co Q10 Catalase Capsules  
Biocare Glutenzyme Capsules  
Biocare Hep 194 (Hepaguard) Capsules  
Biocare HCL Pepsin Capsules  
Biocare Histazyme Capsules  
Biocare IMU Power Pack  
Biocare Int B2 Bifidophilus Bacterium Powder  
Biocare Iron EAP2 Capsules  
Biocare Kalmar Capsules  
Biocare Lactase Enzyme Liquid  
Biocare Ligazyme Capsules  
Biocare Linseed Oil Emulsifying Capsules  
Biocare Lipazyme Capsules  
Biocare Lipo-Plex Capsules  
Biocare Lipo-Plex Co-Q10 EPA/DHA Capsules  
Biocare Magnesium Calcium 2:1 Capsules  
Biocare Magnesium EAP2 Capsules  
Biocare Mega GLA Complex Capsules 163mg  
Biocare Molybdenum Liquid  
Biocare Multi-Mineral Complex Capsules  
Biocare Multivitamin Mineral Capsules  
Biocare Mycopryl 250 Junior Strength Capsules  
Biocare Mycopryl 400 Capsules  
Biocare Mycopryl 680 Capsules  
Biocare N-Acetyl Glucosamine Capsules  
Biocare NT 188 (Neurotone) Capsules  
Biocare Organic Selenium Capsules 100mcg  
Biocare Oxy-B15 Complex Capsules  
Biocare Oxyplex Tablets  
Biocare Oxy Pro Liquid  
Biocare Pancrogest Capsules  
Biocare Paracidin (Citricidal) Oral Drops  
Biocare Permatrol Capsules  
Biocare Pit-Enzyme Capsules  
Biocare Polyzyme Capsules  
Biocare Polyzyme Forte & Acidophilus Capsules  
Biocare Polyzyme Forte Capsules  
Biocare Potassium Ascorbate Capsules  
Biocare Prolactazyme Capsules  
Biocare Prolactazyme Tablets  
Biocare Reduced Glutathione Capsules  
Biocare Replete Sachets  
Biocare Sea Plasma Capsules 500mg  
Biocare Selenium Complex Tablets 50mcg  
Biocare Selenium Liquid  
Biocare Shiitake Mushroom Extract Capsules  
Biocare Spectrumzyme Capsules  
Biocare TH207 (Thyro-Zyme) Capsules  
Biocare Thioproline Capsules  
Biocare Uritol Capsules  
Biocare Vegi-Dophilus Capsules  
Biocare Vitamin B6 Capsules  
Biocare Vitamin B Compound Capsules  
Biocare Vitamin B12 Timed Release Capsules  
Biocare Vitamin C Capsules  
Biocare Vitamin C Magnesium Ascorbate Powder  
Biocare Vitamin E Emulsifying Capsules  
Biocare Vyta Mins Capsules  
Biocare Zinc Tablets  
Bio-Carotene Softgel Capsules  
Bioflav Complex Tablets  
Bioflav Complex + C Tablets  
Bioflavonoid C Capsules  
Bio-Glandin 25 Capsules  
Bio Harmony Sachets



## Part XI (a) Drugs And Other Substances Not To Be Prescribed

---

Bio-Health Buffered C500 Capsules  
Bio-Health Extra Calcium Capsules  
Bio-Health Zinc Gluconate Capsules  
Bio-Light Slimming Food Supplement  
Bio-Quinone Q10 Softgel Capsules  
Bio-Quinone Q10 Super Softgel Capsules  
Bioscal Hair Formula  
Bio Science Basic Health AM Capsules  
Bio Science Basic Health PM Capsules  
Bio Science Bio-C Powder  
Bio Science Cal-Mag Alkaline Capsules  
Bio Science Chelated Cal-Mag Compound Capsules  
Bio Science Chelated Zinc Capsules  
Bio Science Full Spectrum Aminos Powder  
Bio Science Lipid Enzyme Capsules  
Bio Science Lo-pH Complete Spectrum Digestive Enzyme Capsules  
Bio Science Lo-pH Digestive Enzyme Capsules  
Bio Science MSM Organic Sulphur Capsules  
Bio Science Non-Acidic Sustained Release Vitamin C Tablets  
Bio Science Organic Iron Capsules  
Bio Science Pro Enzyme Capsules  
Bio Science Pyroxidal 5 Phosphates Capsules  
Bio Science Selenium Plus Capsules  
Bio Science Timed Release Vitamin C Tablets  
Bio Science Vitamin B1 Capsules  
Bio Science Vitamin B3 Nicotinamide Capsules  
Bio Science Vitamin B5 Calcium Pantothenate Capsules  
Bio Science Vitamin B6 Capsules  
Bio Science Vitamin E Capsules  
Bio-Selenium + Zinc Tablets  
Bio-Strath Drops  
Bio-Strath Elixir  
Biovital Tablets  
Biovital Vitamin Tonic  
Birley's Antacid Powder  
Bis-Mag Lozenge  
Bis-Peps Tablets  
Bisma-Calna Cream  
Bisma-Rex Powder  
Bisma-Rex Tablets  
Bismag Antacid Powder  
Bismag Tablets  
Bismuth Compound Lozenges BPC  
Bismuth Dyspepsia Lozenges  
Bismuth Pepsin and Pancreatin Tablets  
Bismuth, Soda and Pepsin Mixture  
Bisodol Antacid Powder  
Bisodol Extra Tablets  
Bisodol Tablets  
Bisolvomycin Capsules  
Bisolvon Elixir  
Bisolvon Tablets  
Blackcurrant Cough Elixir (Thornton & Ross)  
Blackcurrant Seed Oil Capsules  
Blackcurrant Syrup Compound (Beben)  
Blackmore's Acidophilus & Pectin Tablets  
Blackmore's Bio C Tablets  
Blackmore's Celloid CS36 Calcium Sulphate Tablets  
Blackmore's Celloid IP82 Iron pH Tablets  
Blackmore's Celloid SS69 Sodium Sulphate Tablets  
Blackmore's Citrus C & Acerola Tablets  
Blackmore's Duoceloid PP/MP Tablets  
Blackmore's Duoceloid PS/MP Tablets  
Blackmore's Duoceloid S/CF Tablets  
Blackmore's Duoceloid SP/S Tablets  
Blackmore's Echinacea ACE + Zinc Tablets  
Blackmore's Hypericum Tablets  
Blackmore's Sodical Plus Tablets  
Blandax Suspension  
Blavig Tablets  
Blood Tonic Mixture (Thompsons)  
Boldolaxine Tablets  
Bonemeal Calfos, Vit A Ester, Vit D Tablets  
Bonomint Chewing Gum  
Bonomint Tablets  
Booth's Cough & Catarrh Elixir  
Boots Aromatherapy Massage Oil  
Boots Baby Oil  
Boots Cold Relief Powder for Solution  
Boots Compound Laxative Syrup of Figs  
Boots Cough Relief for Adults  
Boots Glucosamine Sulphate Capsules  
Boots Glycerin & Blackcurrant Soothing Cough Relief  
Boots Hard Lens Soaking Solution  
Boots Hard Lens Wetting Solution  
Boots Health Salts  
Boots Indigestion Plus Mixture  
Boots Indigestion Powder  
Boots Lip Salve  
Boots Menthol & Wintergreen Embrocation  
Boots Nasal Spray  
Boots No 7 Vitamin E Skin Cream  
Boots Orange Drink  
Boots Soft Lens Cleaning Solution  
Boots Soft Lens Comfort Solution  
Boots Soft Lens Soaking Solution  
Boots Soya Milk  
Boots Vapour Rub Ointment  
Boston Lens Cleaning Solution  
Boston Lens Wetting and Soaking Solution  
Box's Balm of Gilead Cough Mixture  
Bravit Capsules  
Bravit Tablets  
Breoprin Tablets 648 mg  
Brewers Yeast Super B Tablets (Rodale)  
Brewers Yeast Tablets (3M Health Care)  
Brewers Yeast Tablets (Phillips Yeast Products)  
Bricanyl Compound Tablets  
Bricanyl Expectorant  
Brogans Cough Mixture  
Brogans Cough Syrup  
Bromazepam Tablets 1.5 mg  
Bromazepam Tablets 3 mg  
Bromazepam Tablets 6 mg  
Bromhexine Hydrochloride Elixir 4 mg/5 ml  
Bromhexine Hydrochloride Tablets 8 mg  
Bronalin Decongestant  
Bronalin Dry Cough Linctus  
Bronalin Expectorant  
Bronalin Paediatric Cough Syrup  
Bronchial & Cough Mixture (Worthington Walter)  
Bronchial Balsam (Cox)  
Bronchial Catarrh Syrup (Rusco)  
Bronchial Cough Mixture (Evans Medical)  
Bronchial Emulsion (Three Flasks) (Thornton & Ross)  
Bronchial Emulsion AS Extra Strong (Ayrton Saunders)  
Bronchial Mixture (Rusco)  
Bronchial Mixture Extra Strong (Cox)  
Bronchial Mixture Sure Shield Brand  
Bronchial Tablets (Leoren)

## Part XI (a) Drugs And Other Substances Not To Be Prescribed

---

Bronchialis Mist Liquid (Industrial Pharmaceutical Services)  
Bronchialis Mist Nig Double Strength (Phillip Harris Medical)  
Bronchisan Childrens Cough Syrup  
Bronchisan Cough Syrup  
Broncholia Mixture  
Bronchotone Solution  
Bronkure Cough & Bronchitis Mixture (Jacksons)  
Brontus Syrup  
Brontus Syrup for Children  
Brontussin Cough Suppressant Mixture  
Brooklax Tablets  
Brotizolam Tablets 0.125 mg  
Brotizolam Tablets 0.25 mg  
Bufferin Tablets  
Build-Up (Nestle Health Care)  
Buttercup Baby Cough Linctus  
Buttercup Syrup  
Buttercup Syrup Honey and Lemon

Cabdrivers Adult Linctus  
Cabdrivers Diabetic Linctus  
Cabdrivers Junior Linctus  
Cabdrivers Nasal Decongestant Tablets  
Cadbury's Coffee Compliment  
Cafadol Tablets  
Caffeine & Dextrose Tablets  
Cal-A-Cool Aftersun Moisturising Cream  
Caladryl Cream  
Caladryl Lotion  
Calamage  
Calcium Supplement Tablets  
Calcimax Syrup  
Calcinat Tablets  
Calcium Syrup (Berk Pharmaceuticals)  
Calendolon Ointment  
California Syrup of Figs  
Calpol Extra Tablets  
Calpol Infant Suspension  
Calpol Six Plus Suspension  
Calpol Tablets  
Calsalettes Sugar Coated Tablets  
Calsalettes Uncoated Tablets  
Camfortix Linctus P1  
Camphor Spirit  
Candacurb Capsules  
Candacurb-E Capsules  
Canderel Intense Sweetener Spoonful  
Candermyl Liposome Cream  
Cantaflour  
Cantamac Tablets  
Cantamega 1000 Tablets  
Cantamega 2000 Divided Dose Tablets ¼ Size  
Cantamega 2000 Naturtab Tablets  
Cantassium Amino M.S. Tablets  
Cantassium Discs  
Cantassium Fructose  
Cantassium Multivitamin Tablets  
Capramin Tablets  
Caprystatin Capsules  
Carbellon Tablets  
Carbo-Cort Cream  
Carisoma Compound Tablets  
Carnation Coffeemate  
Carnation Slender Meal Replacement (All Flavours)  
Carrzone Powder

Carters Little Pills  
Carylterm Shampoo  
Cascara Evacuant Liquid Mixture  
Cascara Tablets BP  
Castellan No 10 Cough Mixture  
Catarrh & Bronchial Syrup (Thornton & Ross)  
Catarrh Cough Syrup (Boots)  
Catarrh Mixture (Herbal Laboratories)  
Catarrh Syrup for Children (Boots)  
Catarrh Tablets (Cathay)  
Catarrh-Ex Tablets  
Ce-Cobalin Syrup  
Ceeyees Tablets  
Celaton Rejuvenation Tablets  
Celaton CH3 Strong & Calm Tablets  
Celaton CH3 Triplus Tablets  
Celaton CH3 + Ease & Vitality Tablets  
Celaton Whole Wheat Germ Capsules  
Celavit 1 Powder  
Celavit 2 Powder  
Celavit 3 Powder  
Celevac Granules  
Centrax Tablets 10 mg  
Cephos Powders  
Cephos Tablets  
Cetaphil Lotion  
Charabs Tablets  
Charvita Tablets  
Cheroline Cough Linctus  
Cherry Bark Cough Syrup Childrens (Loveridge)  
Cherry Bark Linctus Adults (Loveridge)  
Cherry Cough Balsam (Herbal Laboratories)  
Cherry Cough Linctus (Savoury & Moore)  
Cherry Cough Mixture (Rusco)  
Cherry Flavoured Extract of Malt (Distillers)  
Chest & Cough Tablets (Brome & Schimmer)  
Chest & Cough Tablets (Kerbina)  
Chest & Throat Tablets No 8,000 (English Grains)  
Chest Pills (Brome & Schimmer)  
Chest Tablets (Kerbina)  
Chesty Cough Syrup (Scott & Browne)  
Chickweed Ointment  
Chilblain Tablets (Boots)  
Child's Cherry Flavoured Linctus (Cupal)  
Children's Blackcurrant Cough Syrup (Rusco)  
Children's Cherry Cough Syrup (Thornton & Ross)  
Children's Cough Linctus (Ransoms)  
Children's Cough Mixture (Beecham)  
Children's Cough Mixture (Loveridge)  
Children's Cough Syrup (Ayrton Saunders)  
Children's Cough Syrup (Cox)  
Children's Cough Syrup (Evans Medical)  
Children's Cough Syrup (Thornbers)  
Children's Medicine Liquid (Hall's)  
Children's Phensic Tablets  
Children's Wild Cherry Cough Linctus (Evans Medical)  
Chilvax Tablets  
Chlorasol Sachets  
Chocolate Laxative Tablets (Isola)  
Chocovite Tablets  
Christy's Rich Lanolin  
Christy's Skin Emulsion  
Cidal  
Cidex Longlife  
Cidex Sterilising Solution  
Cinnamon Essence Medicinal Mixture (Langdale)  
Cinnamon Tablets Medicinal (Langdale)

## Part XI (a) Drugs And Other Substances Not To Be Prescribed

---

Cinota Drops  
Citrosan Powder  
Claradin Effervescent Tablets  
Clara's Kitchen Gluten-Free Porridge  
Clarityn Allergy  
Clarkes Blood Mixture  
Clean and Soak  
Cleansing Herb Dried (Potters)  
Cleansing Herbs (Brome & Schimmer)  
Cleansing Herbs Powder (Dorwest)  
Clen-Zym Tablets  
Clerz Lubricating and Rewetting Eye Drops  
Clerz Lubricating Cleaning and  
Clinique Clarifying Lotion  
Clinique Continuous Coverage  
Clinique Crystal Clear Cleaning Oil  
Clinique Dramatically Different Moisturising Lotion  
Clinique Facial Mild Soap  
Clinisan Skin Cleansing Foam  
Clinisan Skin Cleansing Foam Aerosol 500ml  
Clorazepate Dipotassium Capsules 7.5 mg  
Clorazepate Dipotassium Capsules 15 mg  
Clorazepate Dipotassium Tablets 15 mg  
Co-op Aspirin Tablets BP 300 mg  
Co-op Bronchial Mixture  
Co-op Halibut Liver Oil Capsules BP  
Co-op Paracetamol Tablets BP 500 mg  
Co-op Soluble Aspirin Tablets BP 300 mg  
Cobalin H Injection 250 mcg/ml  
Cobalin H Injection 1000 mcg/ml  
Cobalin Injection 100 mcg/ml  
Cobalin Injection 250 mcg/ml  
Cobalin Injection 500 mcg/ml  
Cobalin Injection 1000 mcg/ml  
Coda - Med Tablets  
Cod Liver Oil & Creosote Capsules (5 Oval) (R P Scherer)  
Cod Liver Oil & Creosote Capsules (10 Oval) (R P Scherer)  
Cod Liver Oil Caps 10 Minims (Woodward)  
Cod Liver Oil High Potency Capsules (R P Scherer)  
Cod Liver Oil with Malt Extract & Hypophosphite Syrup (Distillers)  
Cod Liver Oil 0.3 ml Capsules (R P Scherer)  
Cod Liver Oil 0.6 ml Capsules (R P Scherer)  
Codalax  
Codalax Forte  
Codanin Analgesic Tablets  
Codis Soluble Tablets  
Codural Tablets  
Cojene Tablets  
Cold & Influenza Capsules (Regent Laboratories)  
Cold & Influenza Mixture (Boots)  
Cold & Influenza Mixture (Davidson)  
Cold & Influenza Mixture (Rusco)  
Cold & Influenza Mixture (Thornton & Ross)  
Cold Relief (Blackcurrant Flavour) Granular Powder (Boots)  
Cold Relief Capsules (Scott & Bowne)  
Cold Relief Tablets (Boots)  
Cold Tablets (Roberts)  
Coldrex Powder  
Coldrex Tablets  
Colgard Emergency Essence (Lane Health Products)  
Colgate Dental Cream with MFP Fluoride  
Colgate Disclosing Tablets  
Collins Elixir  
Colocynth & Jalap Tablets Compound BPC 1963  
Colocynth Compound Pills BPC 1963  
Cologel Liquid  
Comfort Sachets  
Communion Wafers  
Complan  
Comploment Continus Tablets  
Compound Fig Elixir BP  
Compound Rhubarb Oral Powder BP  
Compound Rhubarb Tincture BP  
Compound Syrup of Glycerophosphates BPC 1963  
Compound Syrup of Hypophosphites BPC 1963  
Comtrex Capsules  
Comtrex Liquid  
Comtrex Tablets  
Concavit Capsules  
Concavit Drops  
Concavit Injection  
Concavit Syrup  
Confiance Dietary Supplement Tablets  
Congreves Balsamic Elixir  
Constipation Herb Dried (Potters)  
Constipation Herbs (Hall's)  
Constipation Herbs (Mixed Herbs) (Brome & Schimmer)  
Constipation Mixture No 105 (Potters)  
Contac 400 Capsules  
Contac Coughcaps  
Contactaclean Cleaning Solution  
Contactasoak Disinfecting and Soaking Solution  
Contactasol O2 Care Solution  
Contactasol Complete Care All-In-One Solution  
Contactasol Solar Saline Spray  
Contactasol Wetting Solution  
Copholco Cough Syrup  
Copholcoids  
Coppertone Apres Plage Aftersun Milk  
Coppertone Children's Cream SPF25  
Coppertone Children's Lotion SPF15  
Coppertone Dark Tanning Lotion SPF4  
Coppertone Sun Tanning Lotion SPF6  
Coppertone Water Resistant Tanning Cream SPF8  
Co-QIO Tablets  
Core Level Adrenal Tablets  
Core Level Auto Sym Tablets  
Core Level C Timed Release Tablets  
Core Level Health Reserve Tablets  
Core Level Ilioduodenal Tablets  
Core Level Magnesium Tablets  
Core Level Zinc Tablets  
Corrective Tablets (Ayrton Saunders)  
Correctol Tablets  
Cosalgic Tablets  
Cosylan Syrup  
Coterpin Syrup  
Cough & Bronchitis Mixture (Davidson)  
Cough & Cold Mixture (Beecham)  
Cough Balsam (Abernethy's)  
Cough Balsam (Thornbers)  
Cough Expectorant Elixir (Regent Laboratories)  
Cough Linctus (Sanderson's)  
Cough Linctus Alcoholic (Thomas Guest)  
Cough Linctus for Children (Boots)  
Cough Medicine for Infants & Children Solution (Boots)  
Cough Mixture (Tingles)  
Cough Mixture Adults (Thornton & Ross)  
Cough Mixture Adults (Wicker Herbal Stores)

## Part XI (a) Drugs And Other Substances Not To Be Prescribed

---

Cough Syrup Best (Diopharm)  
Cough Tablets (Kerbina)  
Country Basket Rice Cakes  
Covermark Removing Cream  
Covonia Bronchial Balsam Linctus  
Cow & Gate Babymeals Stage One  
Cow & Gate Baby Milk Plus  
Cow & Gate Follow-On Babymilk Step Up  
Cow & Gate Junior Meal  
Cow & Gate Nutriprem 2  
Cow & Gate Olvarit Stage Two Main Course  
Cow & Gate Premium Baby Food  
Cox Pain Tablets  
Crampex Tablets  
Cranberry Juice  
Cream of Magnesia Tablets 300 mg  
Cremaffin Emulsion  
Cremalgin Balm  
Creosote Bronchial Mixture (Loveridge)  
Crookes One-a-Day Multivitamins with Iron  
Crookes One-a-Day Multivitamins without Iron  
Crookes Wheat Germ Oil Capsules  
Croupline Cough Syrup (Roberts)  
Crusha Milk Shake Syrup  
Cullen's Headache Powders  
Culpepper Healing Ointment  
Culpepper Rheumatic Cream  
Cupal Health Salts  
Cupal Nail Bite Lotion  
Cuprofen Soluble Tablets  
Cuprofen Tablets  
Cuticura Medicated Foam Bath  
Cuticura Talcum Powder  
Cyanocobalamin Solution (any strength)  
Cytacon Liquid  
Cytacon Tablets  
Cytamen 250 Injection  
Cytamen 1000 Injection  
Cytoplan Acidophilus Capsules (Milk Free)  
Cytoplan Acidophilus/Bifidophilus 50%/50% Capsules  
Cytoplan Aloe Vera Concentrate  
Cytoplan Betaine & Pepsin Capsules 345mg/10mg  
Cytoplan Bifidophilus Extra Tablets  
Cytoplan Biotin Capsules 100mcg  
Cytoplan Children's Chewable Mineral/Vitamin Tablets  
Cytoplan Choline/Inositol Capsules 250mg/250mg  
Cytoplan Co-Factor Compound Plus Capsules  
Cytoplan Cytocleanse Formula Capsules  
Cytoplan Cytomin Mineral/Vitamin Tablets  
Cytoplan Cytoplex Tablets  
Cytoplan Cytophilus Milk Free Capsules  
Cytoplan De-Toxifying Compound Capsules  
Cytoplan Dolomite Magnesium Carbon Calcium  
Carbon Tablets  
Cytoplan EPA Capsules  
Cytoplan Iron Extra Tablets  
Cytoplan Lecithin Capsules  
Cytoplan Magnesium Ascorbic Capsules  
Cytoplan Magnesium/Calcium Capsules 250mg/250mg  
Cytoplan Magnesium Citric Capsules  
Cytoplan Magnesium Complex Capsules  
Cytoplan Manganese Complex Capsules  
Cytoplan Multex Multivitamin and Mineral Formulation  
Cytoplan Pantothenic Acid Tablets  
Cytoplan Potassium Pantothenate Capsules  
Cytoplan Pryoxidal-5-pH Complex Capsules  
Cytoplan Selenium Capsules  
Cytoplan Supermag-Plus Capsules  
Cytoplan Vitamin A Capsules  
Cytoplan Vitamin C 1000mg + Bioflavour 50mg  
Capsules  
Cytoplan Vitamin C Powder  
Cytoplan Vitamin E Capsules  
Cytoplan Zinc Lozenge Wafers  
Dakin's Golden Vitamin Malt Syrup  
Daktarin Cream 15g  
Daktarin Powder  
Daktarin Twin Pack  
Dalivit Capsules  
Dalivit Syrup  
Dalmane Capsules 15 mg  
Dalmane Capsules 30 mg  
Dansac Skin Lotion  
Please note: For reimbursement purposes the product  
Dansac Skin Lotion should not be confused with the  
medical devices Dansac Skin Lotion Cleanser and  
Dansac Skin Lotion Tissue listed in Part IXC - Stoma  
Appliances.  
Davenol Linctus  
Daxaids Tablets  
Day-Vits Multivitamin & Mineral Tablets  
Dayovite  
De Witt's Analgesic Pills  
De Witt's Antacid Powder  
De Witt's Antacid Tablets  
De Witt's Baby Cough Syrup  
De Witt's Cough Syrup  
De Witt's PL Pills  
Dead Sea Natural Mineral Soap  
Deakin & Hughes Cough & Cold Healer Mixture  
Deakin's Fever & Inflammation Remedy Mixture  
Delax Emulsion  
Delial Lotion SPF2  
Delial Lotion SPF6 Water Resistant  
Delimon  
Deltasoralen Bath Lotion  
Dencyl Spansules  
Dentakit Toothache First Aid Kit  
Dentu-Hold Liquid  
Derbac C Shampoo  
Derbac Soap  
Derl Dermatological Soap  
Dermablend Chromatone Fade Creme Plus  
Dermablend Cleanser/Remover  
Dermablend Maximum Moisturiser  
Dermablend Quick Fix Concealment Stick  
Dermacolor Body Cover  
Dermacolor Cleansing Cream  
Dermacolor Cleansing Lotion  
Dermacolor Cleansing Milk  
Dermacolor 6 Colour Palette  
Dermacolor Creme Effective No.2  
Dermacolor Fixier Spray  
Dermacolor Skin Plastic  
Dermacort Cream  
Dermalex Skin Lotion  
Dermidex Dermatological Cream  
Derma-Care Soapless Soap  
Desiccated Liver Tablets  
Desiccated Liver USNF Tablets  
Detox Tablets (Hursdrex)  
Dettol Antibacterial Cleanser  
Dextro Energy Glucose Tablets  
Dextrogesic Tablets

## Part XI (a) Drugs And Other Substances Not To Be Prescribed

---

|  |   |
|--|---|
| Dextromethorphan Hydrobromide Solution 3.75 mg/5 ml  | Dr Brandreth's Pills  |
| Dextromethorphan Hydrobromide Solution 7.5 mg/5 ml   | Dr D E Jongh's Cod Liver Oil with Malt Extract & Vitamins Fortified Syrup |
| Dextromethorphan Hydrobromide Syrup 6.6 mg/5 ml      | Dr William's Pink Pills   |
| Dextromethorphan Hydrobromide Syrup 13.5 mg/5 ml     | Dragon Balm   |
| Dextropropoxyphene & Paracetamol Dispersible Tablets | Drastin Tablets   |
| Dextropropoxyphene & Paracetamol Soluble Tablets     | Dristan Decongestant Tablets with Antihistamine                           |
| DF 118 Elixir  | Dristan Nasal Spray   |
| DF 118 Tablets                                       | Droxalin Tablets  |
| DGL 1 Suspension                                     | Dry Cough Linctus (Scott & Bowne)   |
| DGL 2 Suspension                                     | Dual-Lax Extra Strong Tablets   |
| DGT 1 Tablets  | Dual-Lax Tablets  |
| DGT 2 Tablets  | Dubam Cream   |
| DHL Rheumatic Massage Cream                          | Dubam Spray Relief  |
| Diabetic Bronal Syrup                                | Dulca Tablets   |
| Dialar Forte Syrup 5 mg/5 ml                         | Dulcodos Tablets  |
| Dialar Syrup 2 mg/5 ml                               | Dulco-Lax Suppositories   |
| Dialume Capsules 500 mg                              | Dulco-Lax Tablets   |
| Diazepam Capsules, Slow 10 mg                        | Duo-Gastritis Mixture (Baldwin's)   |
| Diazepam Elixir 5 mg/5 ml                            | Duphalac Syrup  |
| Diazepam Oral Solution 5mg/5ml                       | Duralin Capsules Extra Strength   |
| Diazepam Oral Suspension 5mg/5ml                     | Duralin Tablets   |
| Dietade Diabetic Jam                                 | Dusk Insect Repellent Cream   |
| Dietade Diabetic Marmalade                           | Duttons Cough Mixture   |
| Dietade Diabetic Squash                              | Dynese Aqueous Suspension   |
| Dietade Dietary Foods Fruit Sugar                    | Dynese Tablets  |
| Dietade Fruit Sugar                                  | D001 Capsules   |
| Dietade Jelly Crystals                               | D002 Capsules   |
| Digesprin Antacid Tablets                            | D004 Capsules   |
| Digestells Lozenges                                  | D006 Capsules   |
| Dihydroxyaluminium Sodium Carbonate Tablets          | D007 Capsules   |
| Dijex Liquid   | D009 Capsules   |
| Dijex Tablets  | D010 Capsules   |
| Dimotane Expectorant                                 | D011 Capsules   |
| Dimotane Expectorant DC                              | D012 Capsules   |
| Dimotane with Codeine Elixir                         | D013 Capsules   |
| Dimotane with Codeine Paediatric Elixir              | D014 Capsules   |
| Dimotapp Elixir                                      | D017 Capsules   |
| Dimotapp Elixir Paediatric                           | D018 Capsules   |
| Dimotapp LA Tablets                                  | D019 Capsules   |
| Dimotapp P Tablets                                   | D020 Capsules   |
| Dimyrl Linctus                                       | D021 Capsules   |
| Dinnefords Gripe Mixture                             | D024 Capsules   |
| Diocalm Ultra Capsules                               | D029 Capsules   |
| Diocetyl Ear Drops                                   | D030 Capsules   |
| Disprin Direct Tablets                               | D031 Capsules   |
| Disprin Extra Tablets                                | D032 Capsules   |
| Disprin Solmin Tablets                               | D033 Capsules   |
| Disprin Tablets                                      | D034 Capsules   |
| Disprinex Tablets                                    | D036 Capsules   |
| Disprol Infant Suspension                            | Earex Ear Drops   |
| Disprol Junior Tablets Soluble                       | Earthdust Aged Garlic Tablets   |
| Distalgesic Soluble Tablets                          | Earthdust Capricin Forte Capsules   |
| Distalgesic Tablets                                  | Earthdust Formula 1 Capsules  |
| Ditemic Spansules                                    | Earthdust Pro-Biotic New Complex Powder                                   |
| Do-Do Linctus  | Earthdust Super-Pro-Bifidus Powder  |
| Do-Do Tablets  | Earthdust Super-Pro-Dophilus Powder                                       |
| Dolasan Tablets                                      | Earthlore Vitamin B Compound Tablets                                      |
| Doloxene Capsules                                    | Ecologic 315 Granules   |
| Doloxene Compound Pulvules                           | Ecdilyn Syrup   |
| Dolvan Tablets                                       | Educol Tablets  |
| Dorbanex Capsules                                    | Efamol  |
| Dorbanex Liquid                                      | Efamol Capsules   |
| Dorbanex Liquid Forte                                | Efamol Marine Capsules  |
| Dormonoct Tablets 1 mg                               | Efamol Oil  |
| Dove Cleansing Bar                                   | Efamol Plus Capsules  |

## Part XI (a) Drugs And Other Substances Not To Be Prescribed

---

Efamol Plus Evening Primrose Oil & Coenzyme Q10 Capsules  
Efamol PMP  
Efamolia Enriched Moisture Cream  
Efamolia Moisture Cream  
Efamolia Night Cream  
Efavite Tablets  
Efavite Vitamin & Zinc Supplement Tablets  
Effer-C Tablets  
Effico Syrup  
Elagen  
Eldermint Cough Mixture (Herbal Laboratories)  
Elgydium Toothpaste  
Elizabeth Arden Flawless Finish  
Elizabeth Arden Sunblock Cream Factor 15  
Elizabeth Arden Sunscience Superblock Cream spf 34  
Elkamol Tablets  
Ellimans Universal Embrocation  
Elsan Blue Liquid  
Emuwash  
Endet Powders  
Ener-G Gluten-free and Soya-free Macaroon Cookies  
Ener-G Gluten-free Rice and Peanut-Butter Cookies  
Ener-G Gluten-free Rice Walnut Cookies  
Energen Starch Reduced Crispbread  
Enfamil Human Milk Fortifier  
English Grains Mixed Gland Compound Tablets  
English Grains Red Kooga Multivitamins & Minerals  
Engran HP Tablets  
Engran Tablets  
Eno Fruit Salts  
Enzyme Process Achol Tablets  
Enzyme Process Enzastatin Tablets  
Enzyme Process Liver Tablets  
Enzyme Process Pancreas 523 Tablets  
Enzyme Process Pro-T-Compound Tablets  
Enzyme Process Vitamin B12 + Liver Tablets  
EP Tablets  
EPOC Capsules  
Equagesic Tablets  
Equisorb High Fibre Guar Bread Rolls  
Eskamel Cream  
Eskornade Spansule Capsules  
Eskornade Syrup  
Eso-Col Cold Treatment Tablets  
Esoterica Fortified Cream  
Essentia Special E Cream  
Ester-C Powder  
Ester-C Tablets  
Euhypnos Capsules 10 mg  
Euhypnos Elixir 10 mg/5 ml  
Euhypnos Forte Capsules 20 mg  
Evacalm Tablets 2 mg  
Evacalm Tablets 5 mg  
Evans Cough Balsam  
Evening Primrose Oil  
Evening Primrose Oil Capsules  
Evian Mineral Water  
Evident Disclosing Cream  
Ex-Lax Chocolate Laxative Tablets  
Ex-Lax Pills  
Expectorant Cough Mixtures (Beecham)  
Expulin Cough Linctus  
Expulin Decongestant Linctus for Babies & Children  
Expulin Paediatric Cough Linctus  
Extil Compound Linctus  
Extravite Tablets  
Extren Tablets  
Exyphen Elixir  
E001 Capsules  
E015 Capsules  
E018 Capsules  
E021 Capsules  
E031 Capsules  
E032 Capsules  
Fade Out Skin Lightening Cream  
Fairy Household Liquid  
Falcodyl Linctus  
Falkamin  
Fam Lax Tablets  
Famel Expectorant  
Famel Linctus  
Famel Original Linctus  
Family Cherry Flavoured Linctus (Cupal)  
Family Health Multivitamin Tablets  
Family Herbal Pills  
Fanalgin Syrup  
Fanalgin Tablets  
Farex Fingers  
Farley's Farex Weaning Food  
Farley's First Milk  
Farley's Follow-On Milk  
Farley's Premcare Ready-to-Feed  
Farleys Rusks  
Farley's Tea Timer  
Father Pierre's Monastery Herbs  
Fe-Cap C Capsules  
Feac Tablets  
Feen-a-Mint Tablets  
Fefol Spansule Capsules  
Fefol-Vit Spansules  
Fefol Z Spansule Capsules  
Femafen Capsules  
Femerital Tablets  
Femerol Cream  
Feminax Tablets  
Fendamin Tablets  
Fennings Adult Cooling Powders  
Fennings Children's Cooling Powders  
Fennings Little Healers Pills  
Fennings Mixture  
Fennings Soluble Junior Aspirin Tablets  
Fenox Nasal Drops  
Fenox Nasal Spray  
Feospan Spansule Capsules  
Ferfolic SV Tablets  
Ferfolic Tablets  
Ferglucite Tablets  
Fergon Tablets  
Ferraplex B Tablets  
Ferrelecit Tablets/Dragees  
Ferrocip Capsules  
Ferrocip F-350 Capsules  
Ferroglobin B12 Vitamin/Mineral Compound  
Ferrograd C Tablets  
Ferrol  
Ferrol Compound Mixture  
Ferromyn B Elixir  
Ferromyn B Tablets  
Ferrous Gluconate Compound Tablets  
Ferrous Sulphate Compound Tablets BP  
Fesovit Spansules  
Fesovit Z Spansules  
Fibre Biscuits

## Part XI (a) Drugs And Other Substances Not To Be Prescribed

---

Fibrosine Analgesic Balm  
Fiery Jack Cream  
Fiery Jack Ointment  
Filetti Sensitive Skin Soap  
Finasteride 1mg Tablets  
Fine Fare Aspirin Tablets 300 mg  
Fine Fare Hot Lemon Powders  
Fink Linusit Gold Pure Golden Linseeds  
Flar Capsules  
Flavelix Syrup  
Flexcare Soft Lens Solution  
Flexsol Solution  
Flora Margarine  
Floradix Formula Liquid  
Floradix Tablets  
Floral Arbour Tablets (Cathay)  
Flucaps  
Flunitrazepam Tablets 1 mg  
Fluralar Capsules 15 mg  
Fluralar Capsules 30 mg  
Flurazepam Capsules 15 mg  
Flurazepam Capsules 30 mg  
Flurazepam Hydrochloride Capsules 15 mg  
Flurazepam Hydrochloride Capsules 30 mg  
Flu-Rex Tablets  
Flurex Bedtime Cold Remedy  
Flurex Capsules  
Flurex Decongestant Inhalant Capsules  
Flurex Hot Lemon Concentrate  
Flurex Tablets  
Folex-350 Tablets  
Folicin Tablets  
Folped  
Foresight Tablets Mineral Formula  
Foresight Tablets Vitamin (Multivitamins)  
Formula M.E. (Multiple Elevator) No 1 Capsules  
Formula M.E. (Multiple Elevator) No 2 Capsules  
Formula M.E. (Multiple Elevator) No 3 Capsules  
Formule B Spot Treatment Roll On  
Formulix  
Forprin Tablets  
Fortagesic Tablets  
Fortespan Spansules  
Fort-E-Vite Capsules  
Fort-E-Vite 1000 Capsules  
Fort-E-Vite Cream  
Fort-E-Vite Plus Capsules  
Fort-E-Vite Super Plus Capsules  
Fortison Low Sodium  
Fortral Capsules 50 mg  
Fortral Injection  
Fortral Suppositories  
Fortral Tablets 25 mg  
Fortral Tablets 50 mg  
Fortris Solution  
Fosfor Syrup  
Franol Expectorant  
Franolyn Sed Liquid  
Frisium Capsules 5 mg  
Frisium Capsules 10 mg  
Frisium Capsules 20 mg  
FSC Betaine HCL Capsules  
FSC Beta Plus Capsules  
FSC Evening Primrose Oil + Vitamin E Cream  
FSC Lactobacillus Acidophilus Capsules  
FSC Multivitamin Addlife For Over 50s Capsules  
FSC Natural Vitamin E Capsules  
FSC Organic Linseed Oil Capsules  
FSC Super B-Supreme High-Potency Tablets  
FSC Super Calcium 200mg + Vitamin A & D Tablets  
FSC Vitamin B6 Tablets  
FSC Vitamin D 400u  
Fybranta Tablets  
Fynnon Calcium Aspirin Tablets  
Fynnon Salt  
G Brand Linctus  
Galake Tablets  
Gale's Honey  
Galfer-Vit Capsules  
Galloway's Baby Cough Linctus  
Galloway's Bronchial Cough Care  
Galloway's Bronchial Expectorant  
Galloway's Cough Syrup  
Gammolin Capsules  
Gamophase Gamolenic Acid Capsules  
Gamophen  
Gastalar Tablets  
Gastric Ulcer Tablets No 1001  
Gastrils Pastilles  
Gastritabs  
Gastrovite Tablets  
Gatinar Syrup  
Gaviscon Granules  
Gaviscon 250 Tablets  
Gelusil Lac Powder  
Gelusil Tablets  
Genasprin Tablets  
Genatosan  
Gentian Acid Mixture with Nux Vomica  
Gentian Alkaline Mixture with Nux Vomica  
Gentian & Rhubarb Mixture BPC  
Georges Vapour Rub Ointment  
Gericaps Capsules  
Gericare Multivitamin & Mineral Capsules  
Gerimax Original Korean Panax Ginseng with Vitamins, Minerals and Amino Acid.  
Geriplex Capsules  
Germolene Ointment  
Gevral Capsules  
Gevral Tablets  
Ginkgo Biloba Extract Capsules 40mg  
Ginkgo Biloba Liquid  
Givitol Capsules  
Gladlax Tablets  
Glemomy Balsam (Baldwin's)  
Glenco Elixir  
Gluca-Seltzer Effervescent Powder  
Glucodin  
Glutafin Gluten-Free Chocolate Chip Cookies  
Glutafin Gluten-Free Custard Cream Biscuits  
Glutafin Gluten-Free Gingernut Cookies  
Glutafin Gluten-Free Milk Chocolate Biscuits  
Glutafin Gluten-Free Milk Chocolate Digestive Biscuits  
Glutafin Gluten-Free Shortcake Biscuits  
Glutano Gluten-Free Chocolate Hazelnut Wafer Bar  
Glutano Gluten-Free Muesli  
Glutano Gluten-Free Pretzel  
Glutano Gluten-Free Wafer  
Glutano Gluten-Free Wafer, Cream Filled  
Glycerin Honey & Lemon Cough Mixture (Isola)  
Glycerin Honey & Lemon Linctus (Boots)  
Glycerin Honey & Lemon Linctus with Ipecacuanha (Boots)

## Part XI (a) Drugs And Other Substances Not To Be Prescribed

---

|   |   |
|---|---|
| Glycerin Lemon & Honey and Ipecacuanha (Thomas Guest)       | Health Aid Zinc Sulphate Tablets 200mg                          |
| Glycerin Lemon & Honey Linctus (Rusco)                      | Health Aid Zinc Tablets 10mg                                    |
| Glycerin Lemon & Honey Syrup (Cupal)                        | Healthaid Glucosamine Sulphate Tablets                          |
| Glycerin Lemon & Honey Syrup (Thomas Guest)                 | Healthcrafts Aminocheil Calcium Tablets                         |
| Glycerin Lemon & Honey Syrup (Waterhouse)                   | Healthcrafts Aminocheil Chelated Magnesium Tablets              |
| Glycerin Lemon & Ipecacuanha Cough Mixture (Isola)          | Healthcrafts Aminocheil Zinc Tablets 1.3mg                      |
| Glykola Infants Elixir                                      | Healthcrafts Aminocheil Zinc Tablets 5mg                        |
| Glykola Tonic   | Healthcrafts Arteroil Tablets                                   |
| Glymiel Hand Care   | Healthcrafts Betacarotene Capsules                              |
| Goat's Milk Spray Dried Powder                              | Healthcrafts Brewers Yeast Tablets                              |
| Goddard's White Oils Embrocation                            | Healthcrafts Calcium + Vitamin D Chewable Tablets               |
| Golden Age Vitamin & Mineral Capsules                       | Healthcrafts Calcium Chewable Tablets                           |
| Golden Health Feverfew Tablets                              | Healthcrafts Calcium Pantothenate Super Tablets                 |
| Golden Health Super Sea Kelp Tablets                        | Healthcrafts Cod Liver Oil Capsules                             |
| Golden Health Tablets (Kerbina)                             | Healthcrafts Cod Liver Oil Compleat Tablets                     |
| Golden Health Tablets (Brome & Schimmer)                    | Healthcrafts Dolomite Tablets 500mg                             |
| Gon Tablets   | Healthcrafts EPA Forte Capsules                                 |
| Gonfalcon Tablets   | Healthcrafts High Strength Starflower Oil                       |
| Grangewood Insomnia Tablets                                 | Healthcrafts Kelp Tablets                                       |
| Granogen  | Healthcrafts Lecithin Capsules                                  |
| Granose Liquid Soya Milk                                    | Healthcrafts Multivitamin Chewable Tablets                      |
| Granose Soya Yogert   | Healthcrafts Multivitamin + Iron & Calcium Tablets              |
| Granoton Emulsion   | Healthcrafts Natural Vitamin C 1g Tablets (High Potency)        |
| Gratis Gluten-Free Tricolour Pasta                          | Healthcrafts Prolonged Release Nutrition Mega-B6 Tablets        |
| Gregovite C Tablets   | Healthcrafts Prolonged Release Nutrition Mega B-Complex Tablets |
| GS Tablets  | Healthcrafts Prolonged Release Nutrition Mega C 1500 Tablets    |
| Guaiphenesin Syrup (any strength)                           | Healthcrafts Prolonged Release Nutrition Mega Multis Tablets    |
| Guanor Expectorant  | Healthcrafts Vitamin E Capsules                                 |
| Gynovite Plus Nutritional Supplement Tablets                | Healthcrafts Vitamin E Capsules High-Potency                    |
| H-Pantoten Tablets  | Healthcrafts Vitamin E Capsules Mega                            |
| Hactos Chest & Cough Mixture (Thomas Hubert)                | Healthcrafts Vitamin E Capsules Super                           |
| Halaurant Syrup   | Healthcrafts Vitamin E Natural Oil                              |
| Halcion Tablets 0.125 mg                                    | Healthcrafts Vitamin E One-A-Day Capsules                       |
| Halcion Tablets 0.25 mg                                     | Healthcrafts Zinc One-A-Day Capsules                            |
| Haliborange Syrup   | Healtheries Rice Crispbread                                     |
| Haliborange Tablets   | Healthilife Dolomite Tablets 60mg                               |
| Halibut Liver Oil A & D Capsules (Rodale)                   | Healthilife Halibut Oil Capsules                                |
| Halibut Oil A & D Capsules (GR Lane Health Products)        | Healthilife Rutin Tablets 60mg                                  |
| Halin Tablets   | Healthilife Sunflower Seed Oil Capsules 500 mg                  |
| Halocaps Inhalant Capsules                                  | Healthilife Vitamin A Capsules                                  |
| Halycitrol Emulsion   | Healthilife Vitamin E Soya Free Capsules                        |
| Harvestime Malt Extract with Cod Liver Oil and Butterscotch | Healthilife Wild Sea Kelp Tablets 300mg                         |
| Hayphryn Nasal Spray  | Healthlink High Zinc + Manganese Formula 1 Capsules             |
| HC45 Cream  | Healthlink Loosemore Herbal Capsules                            |
| Head and Shoulders Shampoo                                  | Healthlink Magnesium Acetate Capsules                           |
| Health Aid Children's Multivitamin + Mineral Tablets        | Healthlink Psyllium Husks                                       |
| Health Aid DL-Phenylalanine Tablets 500mg                   | Health Perception Glucosamine Tablets                           |
| Health Aid Dolomite Tablets                                 | Health + Plus Absorb Plus Capsules                              |
| Health Aid Eczema Oil                                       | Health + Plus Absorb Plus Tablets                               |
| Health Aid EPO Forte Capsules 1000mg                        | Health + Plus Chromium GTF & B3 Tablets                         |
| Health Aid Halibut Liver Oil Capsules                       | Health + Plus Complex B Tablets                                 |
| Health Aid Magnesium & Calcium Tablets                      | Health + Plus Co-Q Plus Tablets                                 |
| Health Aid Multivitamins & Minerals Tablets                 | Health + Plus Dolomite + D Tablets                              |
| Health Aid Super Cod Liver Oil Capsules                     | Health + Plus E500 Tablets                                      |
| Health Aid Super Lecithin Capsules                          | Health + Plus Immunade Tablets                                  |
| Health Aid Vitamin A Capsules                               | Health + Plus Multiminerals Tablets                             |
| Health Aid Vitamin A + D Capsules                           | Health + Plus Multivite Tablets                                 |
| Health Aid Vitamin B6 Tablets Prolonged Release             | Health + Plus Nutrient Pack, Metabolic Pack                     |
| Health Aid Vitamin B Complex Supreme Tablets                | Health + Plus Pregnancy Pack                                    |
| Health Aid Vitamin C Tablets                                | Health + Plus Selenium Tablets 50mcg                            |
| Health Aid Vitamin E Capsules                               | Health + Plus Super B6 + Zinc Tablets                           |
| Health Aid Vitamin E Cream                                  |   |
| Health Aid Vitamin E Hand and Body Lotion                   |   |
| Health Aid Vitamin E Natural Capsules                       |   |
| Health Aid Vitamin E Oil                                    |   |



## Part XI (a) Drugs And Other Substances Not To Be Prescribed

---

Health + Plus Super C1000 Tablets + Bioflavour  
Health + Plus Supercholine Tablets  
Health + Plus Vitamin E Capsules High-Potency  
Health + Plus VV Pack  
Health + Plus Ziman Plus (Manganese & Zinc) Tablets  
Health Salts (Wicker Herbal Stores)  
Health Tonic Mixture (Hall's)  
Healthwise Halibut Oil Capsules  
Healthwise Vitamin E Capsules  
Heart Shape Indigestion Tablets  
Heath & Heather Feverfew Tablets  
Heath & Heather Garlic Perles (Odourless)  
Hedamol Capsules  
Hedex Extra Caplets  
Hedex Plus Capsules  
Hedex Seltzer Granules  
Hedex Soluble Granules  
Hedex Tablets  
Heinz Weight Watcher Baked Beans  
Hemingways Catarrh Syrup  
Hemoplex Injection  
Hepacon B12 Injection  
Hepacon B-Forte Injection  
Hepacon Liver Extract Injection  
Hepacon-Plex  
Hepanorm Tablets  
Herbal Aperient Tablets (Cathay)  
Herbal Aperient Tablets (Kerbina)  
Herbal Bronchial Cough Tablets (English Grains)  
Herbal Laboratories Feverfew Tablets  
Herbal Laxative Naturtabs  
Herbal Pile Tablets  
Herbal Quiet Nite Sleep Naturtabs  
Herbal Syrup (Baldwin's)  
Herbalene Herbs  
Hermesetas (blue)  
Hermesetas Gold  
Hermesetas Light  
Hermesetas Liquid Sweetener  
Hermesetas Sprinkle Sweet  
Hexidin Solution  
Hi-g-ah Tea  
Higher Nature Paraclear Capsules  
Hi-pro Liver Tablets  
Hill's Adult Balsam  
Hill's Balsam Children's Mixture for Chesty Coughs  
Hip C Rose Hip Syrup  
Hismanal Tablets 10-tablet pack  
Histalix Expectorant  
Hofels Cardiomax Garlic Pearles  
Hofels Garlic Pearles  
Hofels One-A-Day Garlic Pearles  
Hofels One-A-Day Neo Garlic Pearles  
Honey & Molasses Cough Mixture (Lane Health Products)  
Hot Blackcurrant Cold Remedy (Beechams)  
Hot Lemon Cold Remedy (Beechams)  
Hot Lemon Cold Treatment (Scott & Bowne)  
Hot Measure Solution (Reckitt & Colman)  
Hydrex Hand Rub  
Hydrocare Boiling/Rinsing Solution  
Hydrocare Cleaning and Soaking Solution  
Hydrocare Preserved Saline Solution  
Hydrocare Protein Remover Tablets  
Hydroclean Solution  
Hydron Europe Cleaning Solution  
Hydron Europe Comfort Soaking Solution  
Hydron Europe Solusal  
Hydron Europe Solution Comfort  
Hydrosoak Disinfecting and Soaking Solution  
Hydrosol Comfort Solution  
Hymosa Vitamin E Cream  
Hypomultiple Capsules  
Hypon Tablets  
Iberet 500 Tablets  
Iberol Tablets  
Ibrufhalal Tablets  
ICC Analgesic Tablets  
Idoloba Tablets  
Iliadin Mini Nasal Drops  
Iliadin Mini Paediatric Nasal Drops  
Imarale Agba Suspension  
Imarale Omode Suspension  
Imedeen Skin Regenerating Tablets  
Imedeen Tablets  
Imodium Capsules Pharmacy Packs 8 and 12 Capsules  
Importal  
Imuderm Body Wash  
Imuderm Hand & Face Wash  
Imuderm Shower Gel  
Inabrin Tablets 200 mg  
Indian Brandy Solution  
Indigestion Mixture (Boots)  
Indigestion Mixture (Thornton & Ross)  
Indigestion Mixture (William Ransom)  
Indigo Indigestion Lozenges  
Infa-Care Baby Bath  
Infaderm Baby Bath  
Infaderm Baby Cream  
Infaderm Baby Hair Wash  
Infaderm Baby Lotion  
Influenza and Cold Mixture 2315 (Wright Layman & Umney)  
Inhalit Liquid Inhalation  
Innoxia Concealing Cream  
Innoxia Creme Satin Foundation  
Innoxia Finishing Touch Loose Powder  
Innoxia Foundation  
Innoxia Moisturised Liquid Make-up  
Innoxia Sensitive/Dry Range: Enriched Moisture Cream  
Innoxia Sensitive/Normal Range: Creamy Moisturiser  
Innoxia Young Solution Spot Gel  
Inoven Caplets  
Iodinated Glycerol Elixir 60 mg/ 5 ml  
Iodised Vitamin Capsules  
Iodo-Ephedrine Mixture  
Ionax Scrub  
Ipecacuanha Pills 20 mg  
Ipecacuanha & Morphine Mixture BP  
Ipecacuanha & Squill Linctus Paediatric BPC  
Ipsel Hygienic Babysalve  
Irofol C  
Iron & Brewers Yeast Tablets (3M Health Care)  
Iron & Vitamin Tablets (Davidson)  
Iron Formula Tablets (Rodale)  
Iron Jelloids Tablets  
Iron Tonic Tablets (Boots)  
Ironorm Capsules  
Ironorm Tonic  
Ironplan Capsules  
Isoaminile Linctus  
Isocal

## Part XI (a) Drugs And Other Substances Not To Be Prescribed

---

Ivy Tablets (Ayrton Saunders)  
Jaap's Health Salts  
Jacksons All Fours Cough Mixture  
Jacksons Febrifuge  
Jambomins Tablets  
Jenners Suspension  
Jenners Tablets  
Jochem Hormone Hair Preparation  
Johnson & Johnson Baby Bath  
Johnson & Johnson Baby Cream  
Johnson & Johnson Baby Lotion  
Johnson & Johnson Baby Oil  
Johnson & Johnson Baby Powder  
Johnson & Johnson Baby Shampoo  
Johnson & Johnson Baby Sunblock Stick  
Johnson & Johnson Prickly Heat Powder  
Jolen Creme Bleach  
Jordans Crunchy Bar  
Junamac  
Jung Junipah Tablets  
Jungle Formula Insect Repellent Gel  
Jungle Formula Insect Repellent Pump Spray  
Junior Cabdrivers Linctus  
Junior Disprin Tablets  
Junior Disprol Tablets  
Junior Ex-Lax Chocolate Tablets  
Junior Lemsip Powder  
Junior Meltus Cough & Catarrh Linctus  
Junior Mucron Liquid  
Junior Paraclear Tablets  
Junior Tablets (Rodale)  
Juno-Junipah Mineral Salts  
Juvel Elixir  
Juvel Tablets  
Juvela Gluten-Free Mince Pies  
Juvela Gluten-Free Sage & Onion Stuffing Mix  
Juvela Low-Protein Savoury Snack

Kamillosan Baby Cleansing Bar  
K'An Herbal Preparations  
Kaodene Suspension  
Kaopectate  
Karvol Capsules  
Kelsoak 2 Solution  
Kelvinol 2 Wetting Solution  
Kenco Instant Decaffeinated Coffee  
Kendales Adult Cough Syrup  
Kendales Cherry Linctus  
Kentogam Gamolenic Acid Capsules  
Kest Tablets  
Ketazolam Capsules 15 mg  
Ketazolam Capsules 30 mg  
Ketazolam Capsules 45 mg  
Keybells Linctus of Glycerine, Lemon & Ipecacuanha  
Kingo Cough Syrup  
Koladex Tablets  
Kolanticon Tablets  
Kolanticon Wafers  
Kolantyl Gel  
Kolorex Capsules  
Kolynos Denture Fixative  
Krauses Cough Linctus  
Kruschen Salts  
Kuralax Herbs  
Kwai Garlic Tablets  
Kylie Skin Guard  
Labiton Kola Tonic

Laboprin Tablets  
Lac Bismuth Mixture  
Lactaid Lactase enzyme for milk drops  
Lactaid Lactase enzyme tablets  
Lactaid Lactose reduced, skimmed and whole milk UHT  
Lacto Calamine  
Ladycare No 2 (Menopausal) Tablets  
Laevoral  
Lamberts Acidophilus Extra Capsules  
Lamberts Bee Propolis Tablets  
Lamberts Beta Carotene Capsules  
Lamberts Betaine HCL/Pepsin Tablets  
Lamberts Betasec Tablets  
Lamberts Betasec Timed Release Antioxidant Tablets  
Lamberts Calcium Extra Tablets  
Lamberts Calcium/Magnesium Balance Capsules  
Lamberts Calcium & Magnesium Chelates Tablets  
Lamberts Calcium 500/Magnesium 250 Amino Acid Chelated Tablets  
Lamberts Calcium/Magnesium/Zinc Orotates Capsules  
Lamberts Caprylic Acid Tablets  
Lamberts Chelating Mega Mineral Complex Tablets  
Lamberts Co-Enzyme Q10 Capsules  
Lamberts DLPA Complex + Vitamin B & C Capsules  
Lamberts Dolomite Tablets  
Lamberts Enzygest Capsules  
Lamberts EPA Marine Lipid Concentrate Capsules  
Lamberts Evening Primrose Oil 250 mg Capsules  
Lamberts Evening Primrose Oil 500 mg Capsules  
Lamberts Evening Primrose Oil 1000 mg Capsules  
Lamberts Gentle Vitamin C Tablets  
Lamberts Ginkgo Biloba Extract Tablets  
Lamberts Glucosamine Sulphate Tablets  
Lamberts GTF Chromium Capsules  
Lamberts Health Insurance Plus Tablets  
Lamberts High Potency EPA Capsules  
Lamberts L-Carnitine Capsules  
Lamberts L-Carnitine Tablets  
Lamberts L-Glutamic Acid Powder  
Lamberts L-Glutamine Capsules  
Lamberts L-Glutathione Complex Capsules  
Lamberts L-Histidine HCL Capsules  
Lamberts L-Isoleucine Capsules  
Lamberts L-Leucine Capsules  
Lamberts L-Threonine 500mg Capsules  
Lamberts Magnesium Amino Acid Chelated Tablets  
Lamberts Magnesium Orotate Capsules  
Lamberts Magnesium Sustained Release Tablets  
Lamberts Magnesium Sustained Release Timed Release Tablets  
Lamberts Mega Mineral Compound Tablets  
Lamberts Mega 3 Vitamins/Minerals Tablets  
Lamberts Multi-Max Tablets  
Lamberts Natural Vitamin E Capsules  
Lamberts One Daily Vitamin/Mineral Tablets  
Lamberts Playfair Tablets  
Lamberts PMT Supplement Optivite Tablets  
Lamberts Protein Deficiency Formula Capsules  
Lamberts Protein Deficiency Formula Powder  
Lamberts Pycnogenol Capsules  
Lamberts Pyridoxal-5-Phosphate Capsules  
Lamberts Pyridoxal-5-Phosphate Plus Capsules  
Lamberts Selenium Capsules  
Lamberts Selenium Tablets  
Lamberts Senior Capsules  
Lamberts Super Acidophilus Plus Capsules

## Part XI (a) Drugs And Other Substances Not To Be Prescribed

---

Lamberts Taurine Capsules  
Lamberts Ultra Detoxifying Capsules  
Lamberts Vitamin B-50 Complex Capsules  
Lamberts Vitamin B-50 Complex Tablets  
Lamberts Vitamin B-100 Complex Tablets  
Lamberts Vitamin C Ascorbic Acid & Calcium Ascorbate Crystals  
Lamberts Vitamin C Ascorbic Acid Powder  
Lamberts Vitamin C & Bioflav Tablets  
Lamberts Vitamin C Calcium Ascorbate Crystals  
Lamberts Vitamin C-Time Bioflav Timed-Release Tablets  
Lamberts Vitamin E 200 D-Alpha Tablets  
Lamberts Vitamin E 200 D-Alpha/Selenium Tablets  
Lamberts Vitamin E 400 D-Alpha/Selenium Tablets  
Lamberts Vitamin/Mineral Compound Tablets  
Lamberts Zinc Citrus Capsules  
Lamberts Zinc Gluconate Tablets  
Lamberts Zinc Tablets  
Lanacane Cream  
Lanacort Cream  
Lanacort Ointment  
Lance B & C Tablets  
Lancome Nutrix Cream  
Lane's Cut-a-Cough  
Lane's Laxative Herb Tablets  
Lane's Sage and Garlic Catarrh Remedy  
Lanes Glanolin Capsules 250/500  
Lanes LecigranGranules  
Lantigen B  
Larkhall Acidophilus 500 Tablets  
Larkhall B13 Zinc Tablets  
Larkhall Beta Carotene Capsules  
Larkhall Calcimega 500 Tablets  
Larkhall DLPA 375 Tablets  
Larkhall Dolomite Tablets  
Larkhall Folic Acid Tablets 100mcg  
Larkhall Folic Acid Tablets 500mcg  
Larkhall L-Carnitine Capsules  
Larkhall Magnesium Orotate B13 Tablets  
Larkhall Selenium Supplement Tablets  
Larkhall Vitamin C Naturtabs 1000mg Buffered  
Lavender Bath  
Laxaliver Pills  
Laxatabs Leoren  
Laxipurg Tablets  
Laxoberal Elixir  
LC 65 Cleaning Solution  
Lecithin Capsules  
Ledercort Cream  
Lederplex Capsules  
Lederplex Liquid  
Lejfibre Biscuit  
Lemeze Cough Syrup  
Lemon Eno Powder  
Lemon Flu-Cold Concentrated Syrup  
Lemon Glycerine & Honey Cough Syrup Compound (Carter Bond)  
Lemon Glycerine & Honey Lung Mixture (Whitehall Laboratories)  
Lemon Glycerine & Ipecac Cough Syrup Compound (Carter Bond)  
Lemon Juice, Glycerine & Honey A S Syrup (Ayrtton Saunders)  
Lemon Linctus 1-472  
Lem-Plus Capsules  
Lem-Plus Hot Lemon Drink  
Lemsip Expectorant  
Lemsip Flu Strength  
Lemsip Lemcaps Cold Relief Capsules  
Lemsip Linctus  
Lemsip Flu Strength Night Time Formula  
Lemsip Powder  
Lendormin Tablets 0.125 mg  
Lendormin Tablets 0.25 mg  
Lensept Solution  
Lensine 5 All in One Solution  
Lensplus Sterile Saline Spray  
Lensrins Solution  
Leoren Tonic Tablets  
Lexotan Tablets 1.5 mg  
Lexotan Tablets 3 mg  
Lexotan Tablets 6 mg  
Libraxin Tablets  
Librium Capsules 5 mg  
Librium Capsules 10 mg  
Librium Tablets 5 mg  
Librium Tablets 10 mg  
Librium Tablets 25 mg  
Librofem Tablets  
Lifeplan Acidophilus Capsules  
Lifeplan Boron 3 Tablets  
Lifeplan Cod Liver Oil One-A-Day Capsules  
Lifeplan DL-Phenylalanine (DLPA) Tablets 500  
Lifeplan Dolomite Tablets 500mg  
Lifeplan Dolomite Tablets 800mg  
Lifeplan Dolomite (Natural) Tablets  
Lifeplan Super Galanol Starflower Capsules  
Lifeplan Vitamin B6 Tablets  
Lightning Cough Remedy Solution (Potters)  
Limbitrol Capsules "5"  
Limbitrol Capsules "10"  
Linctifed Expectorant  
Linctifed Expectorant Paediatric  
Linctoid C  
Linituss  
Linoleic Acid  
Linus Vitamin C Powder  
Lipoflavonoid Capsules  
Lipotriad Capsules  
Lipotriad Liquid  
Liqufruta Blackcurrant Cough Medicine  
Liqufruta Honey & Lemon Cough Medicine  
Liqufruta Medica  
Liqufruta Medica Garlic Flavoured Cough Medicine  
Liquid Formula (Food Concentrate) (Rodale)  
Liquid Paraffin & Phenolphthalein Emulsion BP  
Liquid Paraffin Emulsion with Cascara BPC  
Liquifilm Wetting Solution  
Listerine Antiseptic Mouthwash  
Listermint Mouthwash  
Liver Herbs (Hall's)  
Livibron Mixture  
Lloyds Cream (Odour Free)  
Lloyds Heat Spray  
Loasid Tablets  
Lobak Tablets  
Lofthouse's Original Fisherman's Friend Honey Cough Syrup  
Logado  
London Herb and Spice Herbal Tea Bags  
Loramet Capsules 1 mg  
Loramet Tablets 0.5 mg  
Loramet Tablets 1 mg

## Part XI (a) Drugs And Other Substances Not To Be Prescribed

---

Lotil Facial Cream  
Lotussin Cough Syrup  
L-Threonine Capsules  
L-Threonine Tablets  
Lucozade  
Luma Bath Salts  
Lung Balsam (Rusco)  
Lyons Ground Coffee Beans  
Lypsyl Lemon  
Lypsyl Mint  
Lypsyl Original  
Lysaldin

M & B Children's Cough Linctus  
MA4 Herbal Fruit Concentrate Paste  
MA572 Tablets  
Maalox Concentrate Suspension  
Maalox Plus Tablets  
Mackenzies Smelling Salts  
Maclean Indigestion Powder  
Maclean Indigestion Tablets  
Macleans Toothpaste  
Magaldrate Tablets  
Magnesium Citrus Tru-Fil Capsules  
Magnesium Glycerophos Tablets  
Magnesium OK Tablets  
Mainstay Pure Cod Liver Oil  
Male Gland Double Strength Supplement Tablets  
Male Sex Hormone Tablets (Diopharm)  
Malinal Plus Tablets  
Malinal Suspension 500 mg/5 ml  
Malinal Tablets 500 mg  
Malt Extract with Cod Liver Oil & Chemical Food (Distillers)  
Malt Extract with Cod Liver Oil BPC & Hypophosphites (Distillers)  
Malt Extract with Cod Liver Oil BPC Soft Extract (Jeffreys Miller)  
Malt Extract with Haemoglobin & Vitamins Syrup (Distillers)  
Malt Extract with Halibut Liver-Oil Syrup (Distillers)  
Malvern Water  
Mandarin Tablets  
Manna Herbal Rheumapainaway Tablets  
Marly Skin  
Marvel  
Matthew Cough Mixture  
Maturaplus Tablets  
Maws Sterilising Tablets  
Max Factor Face Powder  
Max Factor Pan-Stik  
Maxivits Tablets  
Medathlon Aspirin Tablets 300 mg  
Medazepam Capsules 5 mg  
Medazepam Capsules 10 mg  
Medex Elixir  
Mediclean Soft Lens Solutions  
Medilax Tablets  
Medinol Over 6 Paracetamol Oral Suspension  
Medinol Under 6 Paracetamol Junior Suspension  
Medipain Tablets  
Medised Suspension  
Medised Tablets  
Medisoak Soft Lens Solution  
Meditus Syrup  
Medocodene Tablets  
Meggeson Dyspepsia Tablets

Melissin Syrup  
Melo Brand Glycerin Lemon & Honey with Ipecac  
Meloids Lozenges  
Meltus Adult Dry Cough Elixir  
Meltus Adult Expectorant  
Meltus Baby Cough Linctus  
Meltus Honey and Lemon Cough Linctus  
Meltus Junior Expectorant  
Memo Boost Capsules  
Menopace Capsules  
Menthacol Liquid  
Menthells Pellet/Pill  
Menthol & Benzoin Inhalation BP  
Menthol & Eucalyptus (M in P) Pastilles (Thomas Guest)  
Menthol Inhalation  
Mentholated Balsam (Loveridge)  
Mentholated Balsam (Savory & Moore)  
Mentholated Balsam (Wright Laymen & Umney)  
Mentholated Balsam Mixture (Pilsworth Manufacturing)  
Mentholatum Balm  
Mentholatum Deep Freeze Spray  
Mentholatum Deep Heat Massage Liniment  
Mentholatum Deep Heat Maximum Strength Rub  
Mentholatum Deep Heat Rub  
Mentholatum Nasal Inhaler  
Mercurochrome Solution  
Metatone  
Micaveen  
Midro-Tea Powder  
Migrafen Tablets  
Mijex Cream  
Milgard Baby Cleansing Milk  
Milk of Magnesia Tablets  
Mil-Par Suspension  
Milton Sterilising Tablets  
Milumil Baby Milk  
Milupa 7 Cereal Breakfast  
Milupa Aptamil Baby Milk  
Milupa Braised Steak & Vegetable Infant Food  
Milupa Camomile Infant Drink  
Milupa Cauliflower Cheese Special Infant Food  
Milupa Country Chicken & Vegetable Casserole  
Milupa Fennel Variety Infant Drink  
Milupa Forward Follow-On Milk  
Milupa Harvest Muesli Breakfast  
Milupa Infant Dessert, Banana & Apple Yoghurt  
Milupa Infant Dessert, Caribbean Fruit  
Milupa Infant Dessert, Semolina & Honey  
Milupa Infant Tea-Time, Cheese & Tomato  
Milupa Modified Yoghurt  
Milupa Special Formula HN25  
Milupa Sunshine Orange Breakfast  
Milupa Vegetable Hotpot Infant Food  
Minadex Chewable Vitamin Tablets  
Minadex Syrup  
Minamino Syrup  
Minivits Tablets  
Minoxidil Cream  
Minoxidil Lotion  
Minoxidil Ointment  
Minoxidil Solution (for external use)  
Mira Flow Cleaning Solution  
Mira Flow Soft Lens Solution  
Mira Soak Lens Soaking Solution  
Mira Sol Soft Lens Solution  
Mitchell's Wool Fat Soap

## Part XI (a) Drugs And Other Substances Not To Be Prescribed

---

|  |  |
|--|--|
| Modifast Nutritionally Complete Supplemented Fasting Formula | Natural Flow Thiamin Tablets (Vitamin B1)            |
| Mogadon Capsules 5 mg  | Natural Flow Vega Mins Tablets                       |
| Mogadon Tablets 5 mg   | Natural Flow Vitamin A Tablets                       |
| Moorland Indigestion Tablets                                 | Natural Flow Vitamin C Powder                        |
| Morning Glory Tablets  | Natural Flow Zinc Chelated Tablets                   |
| Mornny Lavender Talc   | Natural Herb Laxative Tablets (Brome & Schimmer)     |
| Mosquito Milk Mosquito Repellent Tropical Formula            | Natural Herb Laxative Tablets (Kerbina)              |
| Mrs Cullen's Lemsoothe Powder                                | Natural Herb Tablets (Dorwest)                       |
| Mrs Cullen's Powders   | Natural Herb Tablets (Kerbina)                       |
| Mucofalk Sachets   | Natural Herb Tablets (Lane)                          |
| Mucoclex Syrup   | Naturavite Tablets                                   |
| Mucoclex Tablets   | Nature's Aid Co-Enzyme Q-10 Capsules                 |
| Mu-Cron Junior Syrup   | Nature's Own Acidophilus Plus Capsules (Supreme)     |
| Mu-Cron Tablets  | Nature's Own Betacarotene Capsules                   |
| Mucron Liquid  | Nature's Own Beta Carotene tablets                   |
| Muffin Linctus   | Nature's Own Calcium Orotate Tablets                 |
| Multi-Vitamin Tablets (English Grains)                       | Nature's Own Dolomite Tablets                        |
| Multivitamin Capsules (Regent Laboratories)                  | Nature's Own Dolomite-Calcium Carbonate              |
| Multivitamin Tablets (Approved Prescription Services)        | Magnesium Carbonate Tablets                          |
| Multivitamin Tablets (Chemipharm)                            | Nature's Own Food State Beta Carotene Tablets        |
| Multivitamin Tablets (Evans Medical)                         | Nature's Own Food State Calcium Tablets              |
| Multivitamin Tablets (UAC International)                     | Nature's Own Food State "Euro Formula" Vitamin B     |
| Multivitamin with Mineral Capsules (Potters)                 | Complex + Vitamin C & Magnesium Tablets              |
| Multivitamin with Minerals Tablets (Chemipharm)              | Nature's Own Food State Magnesium Tablets            |
| Multivite Pellets  | Nature's Own Food State Selenium Tablets             |
| Multone Tablets  | Nature's Own Food State Vitamin B6 (Pyridox) Tablets |
| My Baby Cough Syrup  | Nature's Own Food State Vitamin C Tablets            |
| Mycocidin Perles   | Nature's Own Food State Vitamin E 300 Tablets        |
| Mycolactine Tablets  | Nature's Own Food State Zinc/Copper Tablets          |
| Mylanta Liquid   | Nature's Own Multi-Vitamin Tablets                   |
| Mylanta Tablets  | Nature's Own Vitamin B Complex Plus Tablets High     |
| Myolgin Tablets  | Potency  |
| N Tonic Syrup (Cupal)  | Nature's Own Vitamin B6 (Pyridox) Tablets            |
| N-300 Capsules   | Nature's Own Vitamin C Ascorbic Acid Powder          |
| Nair Depilatory Cream  | Nature's Own Vitamin C as Calcium Ascorbate Tablets  |
| Nanny Goat's Milk Infant Formula                             | Nature's Own Vitamin C (as Sodium Ascorbate)         |
| Napca Skin Lotion  | Tablets  |
| Napisan Nappy Treatment                                      | Nature's Own Vitamin C with Bioflavonoids            |
| Napoloids Tablets  | Nature's Own Vitamin E 100 Capsules                  |
| Napsalgesic Tablets  | Nature's Own Vitamin E 100 Emulsifying Capsules      |
| Nasal Drops for Children (Boots)                             | Nature's Own Vitamin E 200 Capsules                  |
| Natex 12A Tablets  | Nature's Own Zinc Orotates                           |
| Natural Bran   | Nature's Plus Calcium/Magnesium Tablets              |
| Natural Flow Acidophilus Capsules                            | Nature's Plus Green Magma Powder                     |
| Natural Flow Amino Acid Complex Capsules                     | Nature's Plus Liquid B Complex & Iron                |
| Natural Flow Animal Fun Children's Chewable Tablets          | Nature's Plus Mega C Tablets                         |
| Natural Flow Boron + Calcium & Silica Tablets                | Nature's Plus Rutin Tablets 500mg                    |
| Natural Flow Calcium Ascorbate Tablets                       | Nature's Plus Super B50 Capsules                     |
| Natural Flow Calcium & Magnesium Chelated Tablets            | Naturtabs Choline                                    |
| Natural Flow Candiforte Capsules                             | Naturtabs Nicotinamide                               |
| Natural Flow Digestive Enzyme Compound Tablets               | Naturtabs Nicotinic Acid                             |
| Natural Flow Dolomite + A & D Tablets                        | Naturtabs Paba                                       |
| Natural Flow Mega B Complex Tablets                          | Natusan Baby Ointment                                |
| Natural Flow Mega Multi Tablets                              | Naudicelle   |
| Natural Flow Multimineral Tablets                            | Nella Red Oil Liniment                               |
| Natural Flow Organic Germanium Capsules                      | Neo-Cytamen Injection 250 mcg/ml                     |
| Natural Flow Primedophilus Powder                            | Neo-Cytamen Injection 1000 mcg/ml                    |
| Natural Flow Probion Bifidus Powder                          | Neoklenz Powder                                      |
| Natural Flow Probion Tablets                                 | Neophryn Nasal Drops                                 |
| Natural Flow Psyllium Husks                                  | Neophryn Nasal Spray                                 |
| Natural Flow Psyllium Husk Capsules                          | Nescafe Instant Coffee                               |
| Natural Flow Selenium Chelated Tablets                       | Nestle Nativa HA                                     |
| Natural Flow Selenium Tablets                                | Nethaprin Expectorant                                |
| Natural Flow Super Vitamin C Complex Tablets                 | Neuro Phosphates                                     |
| Natural Flow Super Vitamin C Tablets                         | Neurodyne Capsules                                   |
| Natural Flow Tangerine C Chewable Tablets                    | Neutradol Concentrated Air Deodoriser                |
|  | Neutradonna Powder                                   |

## Part XI (a) Drugs And Other Substances Not To Be Prescribed

---

Neutradonna Sed Powder  
Neutradonna Sed Tablets  
Neutradonna Tablets  
Neutrogena Body Oil (Scented and Unscented)  
Neutrogena Conditioner  
Neutrogena Hand Cream  
Neutrogena Lip Care  
Neutrogena Liquid  
Neutrogena Moisture  
Neutrogena Norwegian Formula Body Emulsion  
Neutrogena Rainbath Shower and Bath Gel  
Neutrogena Shampoo  
Neutrogena Soap  
Neutrogena Sun Care Lotion SPF 14  
Neutrolactis Tablets  
New Formula Beechams Powders Capsules  
New Life Herbs  
New Life Tablets  
Newton's Children's Cough Treatment  
Newton's Cough Mixture for Adults  
Nezcaam Syrup  
Nezeril Nose Drops (single dose pipette)  
Nicobrevin  
Niferex 150 Capsules  
Nilbite  
Nirolex Expectorant Linctus  
Nitrados Tablets 5 mg  
Nitrazepam Capsules 5 mg  
Nivea  
No 177 Tablets (Leoren)  
Nobacter Medicated Shaving Foam  
Nobrium Capsules 5 mg  
Nobrium Capsules 10 mg  
Nocold Tablets  
Noctamid Tablets 0.5 mg  
Noctamid Tablets 1 mg  
Noctesed Tablets 5 mg  
Noradran Bronchial Syrup  
Norgesic Tablets  
Normax Capsules  
Normison Capsules 10 mg  
Normison Capsules 20 mg  
Norvits Syrup  
Noscapine Linctus BP  
Nourkrin Tablets  
Novaprin Tablets  
Novasil Antacid Tablets  
Novasil Antacid Viscous Suspension  
Noxzema Medicated Skin Cream  
Nucross Coconut Oil  
Nulacin Tablets  
Numark Multivitamin Tablets  
Nurodol Tablets  
Nurofen Soluble Tablets  
Nurofen Tablets 200 mg  
Nurse Sykes Bronchial Balsam  
Nurse Sykes Powders  
Nu-Soft Baby Oil  
Nutricare Beta Carotene Capsules  
Nutricare Capricin Capsules  
Nutricare Selenium Tablets  
Nutricare Vitamin C Tablets  
Nutricare Zinc Orotate Tablets  
NutriTec Vitamin Mineral Complex Food Supplement  
Nutrition Associates Beta Carotene Capsules  
Nutrition Associates Reduced Glutathione Capsules  
Nux Vomica Acid Mixture  
Nux Vomica Alkaline Mixture  
Nux Vomica Elixir BPC  
Nylax Tablets  
Nytol Tablets  
Octovit Tablets  
Ocuville Multivitamin & Mineral Tablets  
Oilatum Bar  
Oilatum Soap  
Olbas Oil  
Omeiri Iron Tonic Tablets  
Omilcaf Suspension  
Onadox 118 Tablets  
One Gram C Capsule  
Opas Powder  
Opas Tablets  
Opobyl Bailly Pills  
Optivite Tablets  
Oral B Plaque Check Disclosing Tablets  
Orange & Halibut Vitamins (Kirby Warrick Pharmaceuticals)  
Organidin Elixir  
Organidin Solution  
Organidin Tablets  
Original Indigestion Tablets (Boots)  
Orovite 7  
Orovite Elixir  
Orovite Tablets  
Orthoxicol Syrup  
Osteocare Calcium & Magnesium Tablets  
Ostermilk Complete Formula  
Ostermilk Two Milk Powder  
Osterpreem  
Otrivine Nasal Drops 0.05%  
Otrivine Nasal Drops 0.1%  
Otrivine Nasal Spray 0.1%  
Otrivine-Antistatin Nasal Drops  
Otrivine-Antistatin Nasal Spray  
Overnight Bedtime Cold Medicine  
Owbridge's Cough Mixture  
Oxamid Tablets 10 mg  
Oxamid Tablets 15 mg  
Oxamid Tablets 30 mg  
Oxy 5 Acne Lotion  
Oxy 10 Acne Lotion  
Oxy Clean Facial Wash Gel  
Oxy Clean Medicated Cleanser  
Oxymetazoline Hydrochloride Nasal Drops 0.025%  
Oxymetazoline Hydrochloride Nasal Drops 0.05%  
Oxymetazoline Hydrochloride Nasal Spray 0.05%  
Oxysept 1 Disinfecting Solution  
Oxysept 2 Rinsing, Neutralising and Storing Solution  
Ozium 500 Air Sanitizer  
Ozium 1500 Air Sanitizer  
Ozium Air Sanitizer  
Ozium 3000  
Pacidal Tablets  
Pacifene Tablets  
Paedo-Sed Syrup  
Pain Relief Tablets (Cox)  
Pain Relief Tablets (Davidson)  
Paldesic Elixir  
Pameton Tablets  
Panacron Nasal Spray  
Panacron Tablets  
Panadeine Co Tablets  
Panadeine Forte Tablets

## Part XI (a) Drugs And Other Substances Not To Be Prescribed

---

Panadeine Soluble Effervescent Tablets  
Panadeine Tablets  
Panadol Baby & Infant Suspension  
Panadol Caplets  
Panadol Extra Soluble Tablets  
Panadol Extra Tablets  
Panadol Junior Sachets  
Panadol Soluble Tablets  
Panadol Tablets  
Panaleve Junior  
Panaleve Six Plus Suspension  
Panasorb Tablets  
Panax 600 Ginseng Tablets  
Panerel Tablets  
Panets Tablets  
Pango Pain Paracetamol Codeine Tablets (Cupal)  
Pantene Hair Tonic  
Papain Compound Tablets  
Paprika Tablets (Kerbina)  
Para-Seltzer Effervescent Tablets  
Paracetamol & Caffeine Capsules  
Paracetamol & Caffeine Tablets  
Paracetamol DC Tablets  
Paracetamol Tablets Soluble (Boots)  
Paracetamol Tablets, Sorbitol Basis 500 mg  
Paracets Tablets 500 mg  
Paraclear Tablets  
Paracodol Capsules  
Paracodol Tablets  
Paradeine R Tablets  
Paragesic Effervescent Tablets  
Parahypon Tablets  
Parake Tablets  
Paralgin Tablets  
Paramin Capsules  
Paramol Tablets  
Paranorm Cough Syrup  
Pardale Tablets  
Parenamps Intramuscular Injection  
Pastilaid Pastilles  
Pavacol Cough Syrup  
Paxadon Tablets  
Paxalgesc Tablets  
Paxidal Tablets  
Paynocil Tablets  
PEM Linctus  
Penetrol Inhalant  
Pentazocine-Aspirin Compound Tablets  
Peplax Peppermint Flavoured Laxative Tablets  
Peppermint Indigestion Tablets (Boots)  
Pepto-Bismol Suspension  
Perform 1 Disinfecting Solution  
Perform 2 Rinsing and Neutralising Solution  
Pernivit Tablets  
Perrier Mineral Water  
Persomnia Tablets  
Pestroy Flea and Insect Powder  
Petrolagar Emulsion Plain  
Petrolagar Emulsion with Phenolphthalein  
PF Plus Tablets  
Pharmacin Capsules  
Pharmacin Effervescent Plus C Tablets  
Pharmacin Effervescent Tablets 325 mg  
Pharmaton Capsules  
Pharmidone Tablets  
Phenergan Compound Expectorant Linctus  
Phenolphthalein Compound Pills BPC  
Phenolphthalein Compound Tablets BPC 1963  
Phenolphthalein Tablets BP  
Phensedyl Cough Linctus  
Phensic Tablets  
Phensic 2 Tablets  
Phenylephrine Hydrochloride Nasal Drops 0.25%  
Phenylephrine Hydrochloride Nasal Spray 0.5%  
Phillips Brewers Yeast Tablets  
Phillips Iron Tonic Tablets  
Phillips Tonic Yeast Tablets  
Phillips' Toothpaste  
Phisoderm  
PhisoHex System Medicated Face Wash  
pHiso-Med Solution  
Pholcolix Syrup  
Pholcomed D Linctus  
Pholcomed Diabetic Forte Linctus  
Pholcomed Expectorant  
Pholcomed Forte Linctus  
Pholcomed Linctus  
Pholcomed Pastilles  
Pholtex Syrup  
Pholtussa Mixture  
Phor Pain  
Phor Pain Double Strength  
Phosferine Liquid  
Phosferine Multi-Vitamin Liquid  
Phosferine Tablets  
Phygeine Liquid  
Phyllosan Tablets  
Physeptone Linctus  
Pickles Nail Bite Lotion  
PIL Food Capsules  
Pile Mixture (Ayrton Saunders)  
Pile Tablets (Ayrton Saunders)  
Pine Bath Milk  
Pine Catarrh Drops Lozenges  
Piriton Allergy  
Piz Buin After Sun Lotion  
Piz Buin After Sun Shower Gel  
Piz Buin Children's Balm SPF 8  
Piz Buin Cream Factor 12  
Piz Buin Creme factor 6  
Piz Buin Creme factor 8  
Piz Buin Factor 4 Cold Air Protection Cream  
Piz Buin Glacier Cream SPF 15  
Piz Buin Lip Protection Stick SPF 8  
Piz Buin Sun Allergy Lotion SPF 12  
Piz Buin Sun Protection Lotion SPF 12  
Piz Buin SPF 6 Lotion  
Piz Buin SPF 8 Lotion  
Plax Anti-Plaque Pre-Brushing Rinse  
Plenamin Super  
Plenivite with Iron Tablets  
Pliagel Soft Lens Solution  
Plurivite M Tablets  
Plurivite Tablets  
Poli-grip Denture Fixative Cream  
Pollen-Eze Tablets  
Polyalk Gel  
Polyalk Tablets  
Polyvite Capsules  
Porosis D Calcium Supplement Tablets  
Potaba + 6 Capsules  
Potaba + 6 Tablets  
Potassium Bromide & Nux Vomica Mixture BPC 1963  
Potters Household Liniment

## Part XI (a) Drugs And Other Substances Not To Be Prescribed

---

Potters Nine Rubbing Oils  
Powdered Bran Tablets 2 g  
Power Cranberry Juice Capsules  
Power Cranberry Juice Concentrated Powder  
Power Dolomite Tablets  
Power Dophilus Capsules  
Power Feverfew Capsules  
Power GLA 65 (Borage Oil) Capsules  
Power Halibut Liver Oil Capsules  
Power Kelp Tablets 500mg  
Power Nature Vitamin E Cream  
Power Nutrimental 24 Tablets  
Power Plus Super Multivitamin and Mineral Capsules  
Powerin Tablets  
PP Tablets  
PR Freeze Spray  
PR Heat Spray  
PR Tablets  
Prazepam Tablets 10 mg  
PRD 200 Tablets 600 mg  
Preflex Solution  
Pregaine Shampoo  
Pregnacare Capsules  
Pregnadon Tablets  
Pregnavite Forte Tablets  
Pregnavite Forte F Tablets  
Prematil with Milupan  
Premence-28 Capsules  
Premit Tablets 20 mg  
Prenatal Dri-Kaps Capsules  
Prenatol Anti Stretch Mark Cream  
Pre-Nutrison  
Primes Premiums Tablets  
Prioderm Cream Shampoo  
Priory Cleansing Herbs Powder  
Probase 3 Cream  
Pro-Bifidus Powder (Dairy Free)  
Procol Capsules  
Proctofibre Tablets  
Prodexin Tablets  
Pro-Dophilus Powder (Dairy Free)  
Proflex Capsules  
Proflex Tablets 200 mg  
Progress Powder  
Propain Tablets  
Propecia  
Pro-Plus He-Vite Elixir  
Proteolised Liver Tablets  
Protexin B Powder  
Protexin Natural Care Powder  
Protexin Natural Care Tablets  
Pro-Vitamin A Capsules (Rodale)  
Pru Sen Tablet Bar  
Prymecare Tablets for Soft and and Gas Permeable Lenses  
Prymeclean Cleaning Solution for Soft Lenses  
Prymesoak Soaking Solution for Soft Lenses  
Pulmo Bailly Liquid  
Purgoids Tablets  
Pyridoxine Tablets, Slow 100 mg  
  
Quest Balanced Ratio Cal-Mag Tablets  
Quest Beta Carotene Tablets  
Quest Folic Acid with Vitamin B Capsules  
Quest Gamma EPA Capsules 1000mg  
Quest Herbal Range Feverfew Formula Capsules  
Quest Improved Once-A-Day Tablets  
Quest Kyolic 350 Tablets  
Quest Mega B50 Tablets  
Quest Mega B-100 Timed Release Tablets  
Quest Mega B Complex Plus 1000mg C Tablets  
Quest Multi B Complex Plus 500mg C Tablets  
Quest Multi C Complex Tablets  
Quest Non-Dairy Acidophilus Plus Capsules  
Quest Once-A-Day Tablets  
Quest Super Mega B-50 Timed Release Tablets  
Quest Super Mega B + C Tablets  
Quest Super Once-A-Day Tablets  
Quest Super Once-A-Day Divided Dose Tablets  
Quest Synergistic Boron Tablets  
Quest Synergistic Iron Capsules  
Quest Synergistic Magnesium Tablets  
Quest Synergistic Selenium Capsules  
Quest Synergistic Zinc Capsules  
Quest Vitamin C Tablets  
Quest Vitamin C Tablets Sustained Release  
Quest Vitamin E Capsules  
Quick Action Cough Cure (Brian C Spencer)  
Quiet Life Tablets  
Rabenhorst Tomato Juice  
Radian-B Mineral Bath Liquid  
Radian-B Mineral Bath Salts  
Radian-B Muscle Lotion  
Radian-B Muscle Rub  
Ralgex Cream  
Ralgex Stick  
Rappell Head Louse Repellent Pump Spray  
Raspberry Tablets No B039  
Rayglo Chest Rub Ointment  
Rayglo Laxative Tablets  
Reach Mouthwash  
Reactivan Tablets  
Red Catarrh Pastilles (Baldwin)  
Redelan Effervescent Tablets  
Redoxon Adult Multivitamin Tablets  
Redoxon C Effervescent Tablets 1 g  
Redoxon C Tablets 25 mg  
Redoxon C Tablets 50 mg  
Redoxon C Tablets 200 mg  
Redoxon C Tablets 250 mg  
Redoxon C Tablets 500 mg  
Redoxon Childrens Multivitamins Tablets  
Redoxon Effervescent Tablets 1 g  
Regaine  
Regina Royal Jelly Capsules  
Reg-U-Lett Tablets  
Relanium Tablets 2 mg  
Relanium Tablets 5 mg  
Relanium Tablets 10 mg  
Relcofen Tablets  
Relcol Tablets  
Remegel Tablets  
Remnos Tablets 5 mg  
Remnos Tablets 10 mg  
Rennie Tablets  
Rennie Gold Tablets  
Rennie Plus Tablets  
Rennie Rap-Eze Tablets  
Replens Vaginal Moisturiser  
Please note: For reimbursement purposes the product Replens should not be confused with the medical device ReplensMD listed in Part IXA - Appliances  
Resolve Granules  
Respaton



## Part XI (a) Drugs And Other Substances Not To Be Prescribed

---

Retinova  
Revlon Nurtrasome Shampoo  
Revlon ZP11 Medicated Shampoo  
Rheumavit Tablets  
Rhuaka Herbal Syrup  
Rhuaka Tablets  
Rhubarb & Soda Mixture Ammoniated BP  
Rhubarb Compound Mixture BPC  
Rhubarb Mixture Compound Paediatric BPC  
Ribena  
Riddovydrin Liquid  
Rinurel Linctus  
Rinurel Tablets  
Rite-Diet Egg White Replacer  
Rite-Diet Gluten-Free Baking Powder  
Rite-Diet Gluten-Free Banana Cake  
Rite-Diet Gluten-Free Bourbon Biscuits  
Rite-Diet Gluten-Free Christmas Pudding  
Rite-Diet Gluten-Free Half Covered Chocolate Digestive Biscuits  
Rite-Diet Gluten-Free Coconut Cookies  
Rite-Diet Gluten-Free Date and Walnut Cake  
Rite-Diet Gluten-Free Gingernut Cookies  
Rite-Diet Gluten-Free Muesli Cookies  
Rite-Diet Gluten-Free Lemon Madeira Cake  
Rite-Diet Gluten-Free Rich Fruit Cake  
Rite-Diet Gluten-Free Wheat-Free Mince Pies  
Rite-Diet Hot Breakfast Cereal  
Robaxisal Forte Tablets  
Roberts Aspirin & Caffeine Tablets  
Robinsons Baby Rice  
Robinsons Instant Baby Foods Baby Breakfast  
Robinsons Instant Baby Foods Baby Dessert  
Robitussin AC Liquid  
Robitussin Cough Soother  
Robitussin Cough Soother Junior Formula  
Robitussin Expectorant  
Robitussin Expectorant Plus  
Robitussin Liquid  
Robitussin Plus Liquid  
Robitussin Syrup  
RoC Amino Moisturising Cream  
RoC Compact Cleanser  
RoC Eye Make-up Remover Lotion  
RoC Face Powder Loose  
RoC Foundation Cream  
RoC High Protection Sun Cream SPF 7/9  
RoC Hydra and Body Cream  
RoC Hydra Plus  
RoC Intensive Hand Cream  
RoC Lipo Moisturising Treatment  
RoC Lipo Vitamin Treatment  
RoC Pre-Tanning Lotion  
RoC Soap for Delicate Skin  
RoC Soothing After Sun Lotion  
RoC Soothing Eye Gel  
RoC Treatment Lipstick  
RoC Vitamin Cream  
Roche Starflower Oil Capsules 500mg  
Roche Starflower Oil (GLA) Capsules 250mg  
Rock Salmon Cough Mixture  
Rohypnol Tablets 1 mg  
Roscorbic Effervescent Tablets  
Roscorbic Tablets 25 mg  
Roscorbic Tablets 50 mg  
Roscorbic Tablets 200 mg  
Roscorbic Tablets 500 mg  
Rose Hip C-100 Capsules  
Rose Hip C-200 Capsules  
Rose Hip Tablets (English Grains)  
Rose Hip Tablets (Potters)  
Rose Hip Tablets (Roberts)  
Rosemary Bath  
Roskens Ultracare 3  
Rosmax Syrup  
Roter Tablets  
Rovigon  
RRC1 Cream  
Rubelix Syrup  
Rubraton B Elixir  
Ruby Tonic Tablets (Jacksons)  
Rum Cough Elixir  
Ruthmol  
Rutin Plus Tablets (Gerard)  
Safapryn Tablets  
Safapryn-Co Tablets  
Safflower Seed Oil  
Sainsbury's Aspirin Tablets 300mg  
Sainsbury's Cold Powders with Blackcurrant  
Sainsbury's Hot Lemon Powders  
Sainsbury's Indigestion Tablets  
Sainsbury's Junior Soluble Aspirin Tablets  
Sainsbury's Paracetamol Tablets 500 mg  
Sainsbury's Soluble Aspirin Tablets  
St. Clements Fruit Juice Concentrate  
Salonair Spray  
Salzone Syrup  
Salzone Tablets 500 mg  
Sanatogen Childrens Vitamins Plus Minerals  
Sanatogen Cod Liver Oil Capsules  
Sanatogen Garlic Oil Perle One-A-Day  
Sanatogen Junior Vitamins Tablets  
Sanatogen Multivitamin Plus Iron (Formula One) Tablets  
Sanatogen Multivitamins Tablets  
Sanatogen Multivitamins & Calcium Tablets  
Sanatogen Nerve Tonic Powder  
Sanatogen Selected Multivitamins Plus Iron (Formula Two) Tablets  
Sanatogen Tonic  
Sanatogen Vitamin B6 Capsules  
Sanatogen Vitamin E Capsules  
Sancos Compound Linctus  
Sancos Syrup  
Savant Tablets  
Savlon Dry Skin Cream  
Saxin  
SBL Junior Cough Linctus  
SBL Soothing Bronchial Linctus  
Schar Gluten Free Sponge Cake  
Scholl Foot Refresher Spray  
Scott's Cod Liver Oil Capsules  
Scott's Emulsion  
Scott's Husky Biscuits  
Seatone Capsules  
Seatone Super Strength Capsules  
Seaweed Vitamin A Ester BP & Vitamin D BP Capsules (Regent Laboratories)  
Seba-Med Cleansing Bar  
Seba-Med Cream  
Seba-Med Facial Wash  
Seba-Med Lotion

## Part XI (a) Drugs And Other Substances Not To Be Prescribed

---

Seba-Med Shampoo  
Sebbix Shampoo  
Secaderm Salve  
Secloclin Capsules  
Sedazin Tablets 1 mg  
Sedazin Tablets 2.5 mg  
Seldane Tablets  
Selenium ACE Tablets  
Selora Sodium-free Salt Substitute  
Selsun Soft Conditioner  
Senlax Tablets  
Senna Laxative Tablets (Boots)  
Senna Tablets (Potters)  
Senokot Tablets  
Senotabs Tablets  
Senselle Natural Feminine Moisture  
Sensodyne Toothpaste  
Serenid D Tablets 10 mg  
Serenid D Tablets 15 mg  
Serenid Forte Capsules 30 mg  
Sergeant's Dust Mite Patrol Powder  
Sertin Tablets  
Setamol Soluble Tablets  
Setlers Extra Strength Tablets  
Setlers Liquid  
Setlers Tablets  
Seven Seas Antioxidant Beta Carotene Capsules  
Seven Seas Antioxidant Vitamin E Capsules  
Seven Seas Beta Carotene Capsules  
Seven Seas Calcium Chewables (Chewable Caps)  
Seven Seas Cod Liver Oil  
Seven Seas Evening Primrose Oil Capsules  
Seven Seas Folic Acid & Vitamin B12 One-A-Day Tablets  
Seven Seas Formula 70 Multivitamin- Multimineral Capsules  
Seven Seas Garlic Oil Perles  
Seven Seas Iron Chewables (Chewable Caps)  
Seven Seas Korean Ginseng Capsules  
Seven Seas Lecithin Capsules  
Seven Seas Magnesium Berries  
Seven Seas Malt and Cod Liver Oil  
Seven Seas Multivitamin & Mineral Capsules  
Seven Seas Natural Vitamin E in Wheatgerm Capsules  
Seven Seas Orange Syrup & Cod Liver Oil  
Seven Seas Pulse Capsules  
Seven Seas Pure Cod Liver Oil Capsules  
Seven Seas Pure Starflower Oil  
Seven Seas Selenium E & Cod Liver Oil Capsules  
Seven Seas Start Right Cod Liver Oil for Babies  
Seven Seas Vitamin and Mineral Tonic  
Seven Seas Wheatgerm Oil Capsules  
Seven Seas Zinc Chewables (Chewable Caps)  
Sidros Tablets  
Silk-Lax Tablets  
Siloxy Suspension  
Siloxy Tablets  
Simeco Suspension  
Simeco Tablets  
Simple Hair Conditioner  
Simple Moisturising Lotion  
Simple Night Cream  
Simple Protective Moisture Cream  
Simple Refreshing Shower Gel  
Simple Shampoo  
Simple Soap  
Simple Sun Block  
Simple Talcum Powder  
Sine-Off Tablets  
Sinitol Capsules  
Sinutab Tablets  
Sionon Sweetner  
Skin Glow Capsules  
Slim-Fast Meal Replacement  
SMA Gold Cap Powder and Ready-to- Feed  
SMA Powder and Concentrated Liquid  
Snufflebabe Vapour Rub  
Soaclens Solution  
Soframycin Ointment  
Softab Soft Lens Care Tablets  
Solgar Cartilade Capsules  
Solgar Ester-C Tablets  
Solgar Evening Primrose Oil  
Solgar Glucosamine Sulfate Tablets  
Solgar Maxi Coenzyme Q10 Capsules  
Solgar Maxi L-Carnitine Tablets  
Solgar Provatene Softgel Capules  
Solis Capsules 2 mg  
Solis Capsules 5 mg  
Solis Capsules 10 mg  
Solmin Tablets  
Solpadeine Capsules  
Solpadeine Forte Tablets  
Solpadeine Tablets  
Solpadeine Tablets Effervescent  
Solprin Tablets  
Soluble Aspirin Tablets for Children (Boots)  
Soluble Phensic Tablets  
Solusol Solution  
Sominex Tablets  
Somnite Suspension 2.5 mg/5 ml  
Somnite Tablets 5 mg  
Soquette Soaking Solution  
Sovol Liquid  
Sovol Tablets  
Soya Powder & Nicotinamide Tablets  
SP Cold Relief Capsules  
Special E Moisture Cream  
Special Stomach Powder (Halls)  
Spectraban 4 Lotion  
SPHP Tablets  
SPS Low-Protein Drink  
Squill Linctus Opiate BP (Gee's Linctus)  
Squill Linctus Opiate, Paediatric, BP  
Squire's Soonax Tablets  
SR2310 Expectorant  
SR Toothpaste (Gibbs)  
Staffords Mild Aperient Tablets  
Staffords Strong Aperient Tablets  
Steradent Mouthwash  
Steri-Clens Solution  
Steri-Solve Soft Lens Solution  
Sterling Health Salts Effervescent  
Sterling Indigestion Tablets  
Sterling Paracetamol Tablets  
Sterogyl Alcoholic Solution  
Stomach Aids Tablets  
Stomach Mixture (Herbal Laboratories)  
Stomach Mixture H138 (Southon Laboratories)  
Stomach Powder (Diopharm)  
Stomach Tablets (Ulter)  
Stop 'N' Grow Nail Biting Deterrent  
Street's Cough Mixture  
Strengthening Mixture (Hall's)

## Part XI (a) Drugs And Other Substances Not To Be Prescribed

---

|   |                         |
|---|-------------------------|
| Stress B Supplement Tablets                                 | Tablets to Formula A31  |
| Strychnine & Iron Mixture BPC 1963                          | Tablets to Formula A32  |
| Strychnine Mixture BPC 1963                                 | Tablets to Formula A33  |
| Stute Diabetic Blackcurrant Jam                             | Tablets to Formula A45  |
| Stute Diabetic Marmalade                                    | Tablets to Formula A51  |
| Sudafed Co Tablets  | Tablets to Formula A63  |
| Sudafed Expectorant   | Tablets to Formula A67  |
| Sudafed Linctus   | Tablets to Formula A68  |
| Sudafed Nasal Spray   | Tablets to Formula A69  |
| Sudocrem Baby Lotion  | Tablets to Formula A70  |
| Suleo C Shampoo   | Tablets to Formula A71  |
| Sun E45 Lotion SPF8   | Tablets to Formula A105 |
| Sunerven Tablets  | Tablets to Formula A111 |
| Sunnyvale Gluten-Free Rich Plum Pudding                     | Tablets to Formula A114 |
| Sun Yums Gluten Free & Dairy Free Almond & Coconut Cake     | Tablets to Formula A120 |
| Sun Yums Gluten Free & Dairy Free Banana & Sesame Seed Cake | Tablets to Formula A147 |
| Sun Yums Gluten Free & Dairy Free Carob & Mint Cake         | Tablets to Formula A157 |
| Sun Yums Gluten Free & Dairy Free Ginger & Pecan Nut Cake   | Tablets to Formula A158 |
| Sun Yums Gluten Free & Dairy Free Jaffa Spice Cake          | Tablets to Formula A161 |
| Super Plenamins Tablets                                     | Tablets to Formula A162 |
| Super Yeast + C Tablets                                     | Tablets to Formula A164 |
| Superdophilus Powder  | Tablets to Formula A165 |
| Superdrug Health Salts                                      | Tablets to Formula A166 |
| Superdrug Heat Spray  | Tablets to Formula A167 |
| Supradyn Capsules   | Tablets to Formula A169 |
| Supradyn Effervescent Tablets                               | Tablets to Formula A175 |
| Supradyn Tablets for Children                               | Tablets to Formula A183 |
| Surbex-T Tablets  | Tablets to Formula A184 |
| Surem Capsules 5 mg   | Tablets to Formula A190 |
| Surem Capsules 10 mg  | Tablets to Formula A195 |
| Surelax Laxative Tablets                                    | Tablets to Formula A202 |
| Sweetex   | Tablets to Formula A203 |
| Sylopal Suspension  | Tablets to Formula A213 |
| Sylphen Tablets   | Tablets to Formula A221 |
| Syn-Ergel   | Tablets to Formula A244 |
| Syndol Tablets  | Tablets to Formula A245 |
| Syrtussar Cough Syrup                                       | Tablets to Formula A246 |
| T-Zone Decongestant Tablets                                 | Tablets to Formula A247 |
| Tabasan Tablets   | Tablets to Formula A248 |
| Tablets No B006   | Tablets to Formula A249 |
| Tablets No B011   | Tablets to Formula A250 |
| Tablets No B015   | Tablets to Formula A264 |
| Tablets No B024   | Tablets to Formula A266 |
| Tablets No B025   | Tablets to Formula A270 |
| Tablets No B029   | Tablets to Formula A271 |
| Tablets No B034   | Tablets to Formula A272 |
| Tablets No B035   | Tablets to Formula A273 |
| Tablets No B036   | Tablets to Formula A274 |
| Tablets No B037   | Tablets to Formula A275 |
| Tablets No B038   | Tablets to Formula A276 |
| Tablets No B040   | Tablets to Formula A277 |
| Tablets No B041   | Tablets to Formula A298 |
| Tablets No B045   | Tablets to Formula A301 |
| Tablets No B048   | Tablets to Formula A316 |
| Tablets No B070   | Tablets to Formula BA6  |
| Tablets No 268A (Potters)                                   | Tablets to Formula B10  |
| Tablets to Formula A10                                      | Tablets to Formula B15  |
| Tablets to Formula A11                                      | Tablets to Formula B18  |
| Tablets to Formula A18                                      | Tablets to Formula B19  |
| Tablets to Formula A19                                      | Tablets to Formula B20  |
| Tablets to Formula A20                                      | Tablets to Formula B21  |
| Tablets to Formula A22                                      | Tablets to Formula B22  |
| Tablets to Formula A23                                      | Tablets to Formula B25  |
|   | Tablets to Formula B26  |
|   | Tablets to Formula B29  |
|   | Tablets to Formula B41  |
|   | Tablets to Formula B48  |

## Part XI (a) Drugs And Other Substances Not To Be Prescribed

---

Tablets to Formula B51  
Tablets to Formula B56  
Tablets to Formula B58  
Tablets to Formula B64  
Tablets to Formula B65  
Tablets to Formula B66  
Tablets to Formula B67  
Tablets to Formula B68  
Tablets to Formula B70  
Tablets to Formula B71  
Tablets to Formula B72  
Tablets to Formula B73  
Tablets to Formula B74  
Tablets to Formula B75  
Tablets to Formula B76  
Tablets to Formula B77  
Tablets to Formula B78  
Tablets to Formula B79  
Tablets to Formula B80  
Tablets to Formula B81  
Tablets to Formula B82  
Tablets to Formula B83  
Tablets to Formula B85  
Tablets to Formula B86  
Tablets to Formula B87  
Tablets to Formula B90  
Tablets to Formula B91  
Tablets to Formula B93  
Tablets to Formula B94  
Tablets to Formula B96  
Tablets to Formula B98  
Tablets to Formula B100  
Tablets to Formula B102  
Tablets to Formula B104  
Tablets to Formula B117  
Tablets to Formula B118  
Tablets to Formula B120  
Tablets to Formula B122  
Tablets to Formula B124  
Tablets to Formula B128  
Tablets to Formula B141  
Tablets to Formula B143  
Tablets to Formula B145  
Tablets to Formula B148  
Tablets to Formula B156  
Tablets to Formula B157  
Tablets to Formula B158  
Tablets to Formula B160  
Tablets to Formula B163  
Tablets to Formula B169  
Tablets to Formula B178  
Tablets to Formula B180  
Tablets to Formula B181  
Tablets to Formula B182  
Tablets to Formula B190  
Tablets to Formula B193  
Tablets to Formula B207  
Tablets to Formula B209  
Tablets to Formula B210  
Tablets to Formula B211  
Tablets to Formula B212  
Tablets to Formula B213  
Tablets to Formula B214  
Tablets to Formula B215  
Tablets to Formula B216  
Tablets to Formula B217  
Tablets to Formula B218  
Tablets to Formula B222  
Tablets to Formula B223  
Tablets to Formula B224  
Tablets to Formula B225  
Tablets to Formula B227  
Tablets to Formula B228  
Tablets to Formula B231  
Tablets to Formula B234  
Tablets to Formula B235  
Tablets to Formula B236  
Tablets to Formula B243  
Tablets to Formula B248  
Tablets to Formula B250  
Tablets to Formula B251  
Tablets to Formula B252  
Tabmint Anti-Smoking Chewing Gum Tablets  
Tanacet Feverfew 125  
Tancofin Childrens Cough Linctus  
Tedral Expectorant  
Temazepam Gelthix Capsules  
Temazepam Planpak  
Temazepam Soft Gelatin Gel-Filled Capsules  
Tenaset Wash Cream  
Tenaset Wash Cream (Unperfumed)  
Tensium Tablets 2 mg  
Tensium Tablets 5 mg  
Tensium Tablets 10 mg  
Tercoda Elixir  
Tercolix Elixir  
Terpalin Elixir  
Terperoin Elixir  
Terpoin Antitussive  
Terrabron  
T-Gel Conditioner  
Thermogene Medicated Rub  
Thixo-D Thickened Drink Mixes  
Three Noughts Cough Syrup  
Tidmans Bath Sea Salt  
Tidman's Sea Salt Coarse  
Tiger Balm Liquid  
Tiger Balm Red  
Tiger Balm White  
Timotei Herbal Shampoo  
Tinaderm Cream  
Titan Hard Cleanser  
Tixylix Cough and Cold Linctus  
Tixylix Cough Linctus  
Tixylix Day-Time Cough Linctus  
Tixylix Decongestant Inhalant Capsules  
Tolu Compound Linctus Paediatric BP  
Tolu Solution BP  
Tolu Syrup BP  
Tonatexa Mixture  
Tonic Tablets (Thomas Guest)  
Tonic Wines  
Tonivitan A & D Syrup  
Tonivitan B Syrup  
Tonivitan Capsules  
Top C Tablets  
Topfit Amino Acid Powder  
Topfit L Threonine + Vitamin B6 Capsules 500/12.5mg  
Toptabs  
Total All Purpose Solution  
Total Nutrient Liquid  
Totavit D R Capsules  
Totolin Paediatric Cough Syrup  
Tramil Capsules

## Part XI (a) Drugs And Other Substances Not To Be Prescribed

---

Trancoprin Tablets  
Transclean Cleaning Solution  
Transdrop  
Transock Solution  
Tranazol Solution  
Tranxene Capsules 7.5 mg  
Tranxene Capsules 15 mg  
Tranxene Tablets 15 mg  
Triludan Forte Tablets 7-tablet pack  
Triludan Tablets 10-tablet pack  
Triocos Linctus  
Triogesic Elixir  
Triogesic Tablets  
Triominic Syrup  
Triominic Tablets  
Triopaed Linctus  
Triotussic Suspension  
Triovit Tablets  
Triple Action Cold Relief Tablets  
Tropium Capsules 5 mg  
Tropium Capsules 10 mg  
Tropium Tablets 5 mg  
Tropium Tablets 10 mg  
Tropium Tablets 25 mg  
Trufree Crispbran  
Trufree Tandem IQ Tablets  
Trufree Vitamin & Minerals Tablets  
Tudor Rose Bay Rhum  
Tums Tablets  
Tusana Linctus  
Tussifans Syrup  
Tussimed Liquid  
Two-A-Day Iron Jelloids Tablets  
Tymasil  
Tysons Catarrh Syrup  
  
Ucerax Tablets  
Udenum Gastric Vitamin Powder  
Ultracach Analgesic Capsules  
Ultradal Antacid Stomach Tablets  
Ultralief Tablets  
Uncoated Tablets to Formula A323  
Uncoated Tablets to Formula A325  
Undecyn Capsules  
Unguentum Merck Cream 60g  
Unicap M Tablets  
Unicap T Tablets  
Unichem Baby Oil  
Unichem Chesty Cough Linctus  
Unichem Children's Dry Cough Linctus  
Unichem Cod Liver Oil Capsules  
Unichem Cold Relief Capsules  
Unichem Cold Relief Day-Time Liquid  
Unichem Cold Relief Night-Time Liquid  
Unichem Cold Relief Powders  
Unichem Dry Cough Linctus  
Unichem Extract of Malt with Cod Liver Oil  
Unichem Multivitamins + Iron Tablets  
Unichem Multivitamins & Minerals One-A-Day Capsules  
Uniflu Tablets  
Unigesic Capsules  
Unigest Tablets  
Unisomnia Tablets 5 mg  
United Skin Care Programme (Uni-Derm; Uni-Salve; Uni-Wash)  
Uvistat Aftersun Lotion  
Uvistat Baby Sun Cream SPF 12  
Uvistat Cream SPF 4  
Uvistat Facial Cream SPF 8  
Uvistat Facial Cream SPF 22  
Uvistat Lipscreen SPF 5 Lipstick  
Uvistat SPF 8 Suncream  
Uvistat SPF 10 Suncream  
Uvistat Sun Lotion SPF 6  
Uvistat Sun Lotion SPF 8  
Vadarex Wintergreen Heat Rub  
Vagisil Feminine Powder  
Valium Capsules 2 mg  
Valium Capsules 5 mg  
Valium Syrup 2 mg/5 ml  
Valium Tablets 2 mg  
Valium Tablets 5 mg  
Valium Tablets 10 mg  
Valonorm Tonic Solution  
Valrelease Capsules  
Vanamil Tablets  
Vantage Baby Shampoo  
Vantage Garlic One-A-Day Capsules  
Vantage Halibut Fish Oil One-A-Day Capsules  
Vantage Sterilising Fluid  
Vapex Inhalent  
Vaseline Intensive Care Lotion  
Vaseline Intensive Care Lotion Herbal and Aloe  
Vega Glucosamine Sulphate Capsules  
Veganin Tablets  
Veno's Adult Formula Cough Mixture  
Veno's Cough Mixture  
Veno's Honey & Lemon Cough Mixture  
Veracolate Tablets  
Verdiviton Elixir  
Vervain Compound Tablets  
Vichy Total Sunscreen  
Vicks Coldcare Capsules  
Vicks Cremacoat Syrup  
Vicks Cremacoat Syrup with Doxylamine Succinate  
Vicks Cremacoat Syrup with Guaiphenesin  
Vicks Cremacoat Syrup with Paracetamol & Dextromethorphan  
Vicks Daymed  
Vicks Formula 44 Cough Mixture  
Vicks Inhaler  
Vicks Medinite  
Vicks Pectorex Solution  
Vicks Sinex Nasal Spray  
Vicks Vapo-Lem Powder Sachets  
Vicks Vaposyrup Children's Dry Cough  
Vicks Vaposyrup for Chesty Coughs  
Vicks Vaposyrup for Chesty Coughs and Nasal Congestion  
Vicks Vaposyrup for Dry Coughs  
Vicks Vaposyrup for Dry Coughs and Nasal Congestion  
Vicks Vapour Rub  
Vi-Daylin Syrup  
Videnal Tablets  
Vigour Aids Tablets  
Vigranon B Complex Tablets  
Vigranon B Syrup  
Vikelp Coated Tablets  
Vikonon Tablets  
Villescon Liquid  
Villescon Tablets  
Viobin Octacosanol Tablets 50,000mcg

## Part XI (a) Drugs And Other Substances Not To Be Prescribed

---

Viobin Pancreatin Tablets 325mg  
Vipro Vegetable Protein  
Virvina Elixir  
Vitabrit Beta Carotene Capsules  
Vita Diem Multi Vitamin Drops  
Vita-E 200 (D-Alpha Tocopherol) Capsules  
Vita-E Cream  
Vita-E Ointment  
Vital Dophilus Powder  
Vitalia Calcium Formula A + D Tablets  
Vitalia Lecithin Capsules High Potency  
Vitalia Multivitamins & Minerals Children's Chewable Sugar-Free Tablets  
Vitalia Multivitamin & Minerals with Iron Tablets  
Vitalia Multivitamin & Minerals Tablets without Iron  
Vitalia Natural E Capsules  
Vitalia Vitamin A Tablets  
Vitalia Vitamin B Complex Super Tablets  
Vitalia Vitamin B6 Tablets  
Vitalia Vitamin C Chewable Tablets  
Vitalia Vitamin E Tablets  
Vitalia Zinc Amino Acid Chelated Tablets 15mg  
Vitalia Zinc Chelated Tablets  
Vitalife Vital E Capsules  
Vitalife Vitamin B6 Capsules  
Vitalife Vitamin B Complex Tablets  
Vitalin Tablets  
Vitalzymes Capsules  
Vitamin & Iron Tonic (Epitone) Solution  
Vitamin A & D Capsules BPC 1968 (Regent Laboratories)  
Vitamin A Ester & Vitamin D2 Capsules (Regent Laboratories)  
Vitamin A Ester Capsules (Regent Laboratories)  
Vitamin A Ester Conc, Alpha Tocopherol Acetate Nat Capsules (Regent Laboratories)  
Vitamin A 4500 Units & Vitamin D2 Capsules (Regent Laboratories)  
Vitamin A 6000 Units & Vitamin D2 Capsules (Regent Laboratories)  
Vitamin A, C & D Tablets (Approved Prescription Services)  
Vitamin A, D & C Tablets (Regent Laboratories)  
Vitamin B Complex Tablets (English Grains)  
Vitamin B Complex with Brewer's Yeast Tablets (English Grains)  
Vitamin B1 Dried Yeast Powder (Distillers)  
Vitamin B1 Yeast Tablets (Distillers)  
Vitamin B12 Tablets 0.01 mg  
Vitamin B12 Tablets 0.025 mg  
Vitamin B12 Tablets 0.05 mg  
Vitamin B12 Tablets 0.10 mg  
Vitamin B12 Tablets 0.25 mg  
Vitamin B12 Tablets 0.5 mg  
Vitamin B12 Tablets 1 mg  
Vitamin C Tablets (G & G Food Supplies)  
Vitamin C Tablets Effervescent 1g  
Vitamin Capsules (Regent Laboratories)  
Vitamin Malt Extract with Orange Juice (Distillers)  
Vitamin Mineral Capsules (Regent Laboratories)  
Vitamin Tablets No B077  
Vitamin Tablets No B081  
Vitamin Tablets No B084  
Vitaminised Iron & Yeast Tablets (Kirby Warrick Pharmaceuticals)  
Vita Natura Evening Primrose Oil + Vitamin E Tablets  
Vitanorm Malt Extract  
Vitanorm Malt Extract Syrup  
Vitapointe Conditioner  
Vitasafe's CF Kaps Tablets  
Vitasafe's WCF Kaps Tablets  
Vita-Six Capsules  
Vitathone Chilblain Tablets  
Vitatrop Tablets  
Vitavel Powder for Syrup  
Vitavel Solution  
Vitepron Tablets  
Vitorange Tablets  
Vitrite Multi-Vitamin Syrup  
Vykamin Fortified Capsules  
W L Tablets  
Wallachol Syrup  
Wallachol Tablets  
Wate-on Emulsion  
Wate-on Emulsion Super  
Wate-on Tablets  
Wate-on Tablets Super  
Wate-on Tonic  
Waterhouses All Fours  
Wines  
Woodwards Nursery Cream  
Wrights Glucose with Vitamin D Powder  
Wrights Vaporizing Fluid  
Xanax Tablets 0.25 mg  
Xanax Tablets 0.5 mg  
Xanax Tablets 1.0 mg  
Yeast & B12 Tablets (English Grains)  
Yeast Plus Tablets (Thomas Guest)  
Yeast-Vite Tablets  
Yellow Phenolphthalein Tablets (any strength)  
Yestamin Vitamin B5 Tablets  
Zactirin Tablets  
Zam Buk Ointment  
Zefringe Sachets  
Zemaphyte Chinese Herbal Eczema Remedy  
Zendium Toothpaste  
Zenoxone Cream  
Zirtek 7  
Zubes Expectorant Cough Syrup  
Zubes Original Cough Mixture  
Zyriton Expectorant Linctus

**Part XI (b)**

**Drugs, Medicines And Other Substances To Be Ordered Only In Certain Circumstances**

Drugs in Column 1 of this part may be prescribed for persons mentioned in Column 2, only for the treatment of the conditions specified in Column 3. The Doctor must endorse the prescription with the reference "S. 11".

Details of restricted availability appliances (vacuum pumps and constrictor rings for erectile dysfunction) can be found in Part III of the Drug Tariff beside the listing for the relevant appliance.

| <i>Column 1<br/>Drug</i>  | <i>Column 2<br/>Patient</i>   | <i>Column 3<br/>Condition</i>                                 |
|---|---|---|
| Clobazam  | Any patient   | Treatment of epilepsy   |
| Niferex Elixir 30ml<br>Paediatric Dropper Bottle                            | Infants born prematurely  | Prophylaxis and treatment of iron deficiency                  |
| Locabiotal Aerosol  | Any patient   | Treatment of infections and inflammation of the oropharynx.   |
| Nizoral Cream   | Any patient   | Treatment of seborrhoeic dermatitis and pityriasis versicolor |
| The following drugs –<br><br>Sildenafil (Viagra)<br>Tadalafil<br>Vardenafil | (1) The following patients with erectile dysfunction -<br>(a) Any man with erectile dysfunction who on 14th September 1998 was receiving a course of treatment under the Order, the National Health Service Act 1977, or the National Health Service (Scotland) Act 1978 for this condition with any of the following drugs –<br>Alprostadil (Caverject), (Muse), (Viridial)<br>Apomorphine hydrochloride (Uprima)<br>Moxisylyte Hydrochloride (Uprima)<br>Moxisylyte Hydrochloride (Erecnos)<br>Sildenafil (Viagra)<br>Tadalafil (Cialis) Thymoxamine Hydrochloride (Erecnos) Vardenafil (Levitra); or<br><br>(b) a man who is a national of an EEA State who is entitled to treatment by virtue of Article 7(2) of Council Regulation 1612/68 as extended by the EEA Agreement or by virtue of any other enforceable Community right who has erectile dysfunction and was on 14th September 1998 receiving a course of treatment under a national health insurance system of an EEA State for this condition with any of the drugs listed in sub-paragraph (a);<br>or | Treatment of erectile dysfunction                             |

**Part XI (b) Drugs To Be Ordered Only In Certain Circumstances**

|                              |  |   |
|------------------------------|--|---|
|                              | <p>(c) a man who is not a national of an EEA State but who is the member of the family of such a national who has an enforceable Community right to be treated no less favourably than the national in the provision of medical treatment and has erectile dysfunction and was being treated for that condition on 14th September 1998 with any of the drugs listed in sub-paragraph (a); or</p> <p>(d) a man who is suffering from any of the following –diabetes, multiple sclerosis, Parkinson’s disease, poliomyelitis, prostate cancer, severe pelvic injury, single gene neurological disease, spina bifida, spinal cord injury; or</p> <p>(e) a man who is receiving treatment for renal failure by dialysis; or</p> <p>(f) a man who has had the following surgery–prostatectomy; radical pelvic surgery; renal failure treated by transplant;</p> <p>(2) Any patient</p>  | <p>Treatment of a condition, other than erectile dysfunction, in respect of which the drug ordered is considered an appropriate treatment</p> |
| <p>Oseltamivir (Tamiflu)</p> | <p>(1) A patient who is aged 1 year or over and who is at clinical risk or a patient who is pregnant or aged 65 years or over, or who is aged under 65 years and is at risk of developing medical complications from influenza where—</p> <p>(a) the Department has notified general medical practitioners that the influenza virus is circulating in the community;</p> <p>(b) the patient has an influenza-like illness; and</p> <p>(c) the patient can start therapy within 48 hours of the onset of symptoms.</p> <p>(2) Any patient suffering from influenza during an outbreak of pandemic influenza (influenza caused by a new virus subtype that has an increased and sustained transmission during a global outbreak of influenza), where the drug is ordered under arrangements for the distribution of the drug free of charge which are approved by the Department or are part the Regional Board’s antivirals distribution service.</p> | <p>Treatment of influenza</p>   |



**Part XI (b) Drugs To Be Ordered Only In Certain Circumstances**

|                            |   |                                 |
|----------------------------|---|---------------------------------|
|                            | <p>(3) A patient who is aged 1 year or over and who is at clinical risk or a patient who is pregnant or aged 65 years or over, where—</p> <p>(a) the Department has notified general medical practitioners that the influenza virus is circulating in the community;</p> <p>(b) the patient has been exposed to an influenza-like illness through being in close contact with someone with whom he lives who is or has been suffering from an influenza-like illness;</p> <p>(c) the patient is not effectively protected by vaccination against influenza because —</p> <p>(i) he has not been vaccinated because vaccination is contraindicated;</p> <p>(ii) he has not been vaccinated since the previous influenza season;</p> <p>(iii) he has been vaccinated but it has yet to take effect; or</p> <p>(iv) he has been vaccinated but the vaccine is not well matched to the strain of influenza circulating in the locality in which the patient resides or is or has been present;</p> <p>(d) the patient lives in a residential care establishment and another resident or member of staff of the establishment has an influenza-like illness; and</p> <p>(e) the patient can start prophylaxis within 48 hours of exposure to an influenza-like illness.</p> <p>(4) Any patient at risk from influenza during an outbreak of pandemic influenza (influenza caused by a new virus subtype that has an increased and sustained transmission during a global outbreak of influenza), where the drug is ordered under arrangements for the distribution of the drug free of charge which are approved by the Department or are part the Regional Board's antivirals distribution service.</p> | <p>Prophylaxis of influenza</p> |
| <p>Zanamivir (Relenza)</p> | <p>(1) A patient who is aged 5 years or over and who is at clinical risk or a patient who is pregnant or aged 65 years or over, or who is aged under 65 years and is at risk of developing medical complications from influenza where—</p> <p>(a) the Department has notified general medical practitioners that the influenza virus is circulating in the community;</p>   | <p>Treatment of influenza</p>   |

## Part XI (b) Drugs To Be Ordered Only In Certain Circumstances

|  |   |   |
|--|---|---|
|  | <p>(b) the patient has an influenza-like illness; and</p> <p>(c) in the case of a patient—</p> <p>(i) who has attained the age of 5 years but not the age of 13 years, that patient can start therapy within 36 hours of the onset of symptoms; and</p> <p>(ii) who is aged 13 years or over, that patient can start therapy within 48 hours of the onset of symptoms.</p> <p>(2) Any patient at risk of or suffering from influenza during an outbreak of pandemic influenza (influenza caused by a new virus subtype that has an increased and sustained transmission during a global outbreak of influenza), where the drug is ordered under arrangements for the distribution of the drug free of charge which are approved by the Department or are part the Regional Board's antivirals distribution service.</p> | <p>Prophylaxis or treatment of influenza.</p> |
|--|---|---|

In this Schedule—

“at clinical risk” means in relation to a patient, a patient who—

- (a) has chronic respiratory disease;
- (b) has asthma that requires continuous or repeated use of inhaled or systemic steroids or with previous exacerbations requiring hospital admission;
- (c) has chronic heart disease;
- (d) has chronic renal failure;
- (e) has chronic liver disease;
- (f) has chronic neurological disease;
- (g) has diabetes; or
- (h) is immunosuppressed;

“EEA Agreement” means the Agreement on the European Economic Area signed at Oporto on 2nd May 1992 as adjusted by the Protocol signed at Brussels on 17th March 1993;

“EEA State” means a State which is a contracting party to the EEA Agreement;

“general medical practitioner” has the same meaning as in the Health and Personal Social Services (General Medical Services Contracts) Regulations (Northern Ireland) 2004;

“patient” has the same meaning as in the Health and Personal Social Services (General Medical Services Contracts) Regulations (Northern Ireland) 2004;

“residential care home” and “nursing home” have the same meaning as in the Health and Personal Social Services (Quality, Improvement and Regulation) (Northern Ireland) Order 2003.”